

★
(USAF) T.O. 1B-17G-4
(FORMERLY 01-20EG-4)
(NAVY) AN 01-20EG-4

ILLUSTRATED PARTS BREAKDOWN

USAF SERIES
B-17G
AIRCRAFT

REVISION
NOTICE

**LATEST REVISED PAGES SUPERSEDE
THE SAME PAGES OF PREVIOUS DATE**

Insert revised pages into basic
publication. Destroy superseded pages.

**PUBLISHED UNDER AUTHORITY OF THE SECRETARY OF THE AIR FORCE
AND THE CHIEF OF THE BUREAU OF AERONAUTICS**

★
AIR FORCE (DPS, OGDEN, UTAH) 2700

1 SEPTEMBER 1945
REVISED 15 AUGUST 1955

Reproduction for non-military use of the information or illustrations contained in this publication is not permitted without specific approval of the issuing service (BuAer or AMC). The policy for use of Classified Publications is established for the Air Force in AFR 205-1 and for the Navy in Navy Regulations, Article 1509.

LIST OF REVISED PAGES ISSUED

INSERT LATEST REVISED PAGES. DESTROY SUPERSEDED PAGES.

NOTE: The portion of the text affected by the current revision is indicated by a vertical line in the outer margins of the page.

<i>Page No.</i>	<i>Date of Latest Revision</i>	<i>Page No.</i>	<i>Date of Latest Revision</i>
* 7	15 August 1955	*339	15 August 1955
13	24 February 1950	*340	15 August 1955
37	15 March 1955	343	24 February 1950
* 48	15 August 1955	*344	15 August 1955
* 48A	15 August 1955	350	1 September 1954
* 49	15 August 1955	351	9 June 1949
53	8 August 1952	*352	15 August 1955
55	8 August 1952	353	15 March 1955
63	10 June 1948	*356	15 August 1955
83	8 August 1952	357	10 June 1948
106	8 November 1949	*358	15 August 1955
114	8 November 1949	*359	15 August 1955
115	15 March 1955	360	15 March 1955
127	15 December 1953	*361	15 August 1955
152	15 March 1955	362	1 September 1954
153	15 March 1955	366	15 March 1955
156	15 August 1953	367	15 March 1955
183	5 October 1951	369	8 August 1952
189	5 October 1951	*374	15 August 1955
209	15 March 1955	375	15 March 1955
270	15 March 1955	*376	15 August 1955
*271	15 August 1955	378	15 March 1955
273	1 September 1954	383	15 March 1955
*281	15 August 1955	384	15 December 1953
287	9 June 1949		
293	10 June 1948		
297	10 June 1948		
322	15 December 1953		
324	15 March 1955		
*326	15 August 1955		
327	24 February 1950		
329	15 March 1955		
331	14 August 1950		
332	15 March 1955		
*333	15 August 1955		
*335	15 August 1955		
336	10 June 1948		
337	8 August 1952		

* The asterisk indicates pages revised, added or deleted by the current revision.

ADDITIONAL COPIES OF THIS PUBLICATION MAY BE OBTAINED AS FOLLOWS:

USAF ACTIVITIES.—In accordance with Technical Order No. 00-5-2.

NAVY ACTIVITIES.—Submit request to nearest supply point listed below, using form NavAer-140: NASD, Philadelphia, Pa.; NAS, Alameda, Calif.; NAS, Jacksonville, Fla.; NAS, Norfolk, Va.; NAS, San Diego, Calif.; NAS, Seattle, Wash.; ASD, NSC, Guam.

For listing of available material and details of distribution see Naval Aeronautics Publications Index NavAer 00-500.

USAF

Revised 15 August 1955

TABLE OF CONTENTS

I INTRODUCTION

How to find the number of a part	3
How to find a part when the number is known	3
How to find a missing part	3
How to order	3
Vendor's list	4
Usage code index	5
Major components index	8

II GROUP ASSEMBLY PARTS LIST 9

Wing

Wing Index	10	Outboard Fuel Tubing	44
Outer Wing Panel Details	12	Inboard Fuel Tubing	46
Wing Gap Cover	14	Wing Fuel Tanks	48
Outer Wing Panel Access Provisions	15	Wing Tank Supports	50
Outer Wing Panel Aileron Provisions	16	LH Wing Oil System	52
Fabric Covered Aileron Assembly	18	RH Wing Oil System	54
Wing Flap Assembly	19	Engine Oil Tank and Oil Transmitter	56
Inner Wing Assembly	20	Oil Temperature Regulator	58
Inner Wing Attaching Terminals	22	Oil Dilution and Oil Surge Valves	59
Inner Wing Access Provisions	24	LH Wing Supercharger Lubricating Oil System	60
Trailing Edge Assembly	26	RH Wing Supercharger Lubricating Oil System	61
Inboard Nacelle Structure and Fittings	28	Supercharger System—Inboard	62
Inboard Nacelle Miscellaneous Supports	30	Supercharger System—Outboard	64
Outboard Nacelle	32	Supercharger Air Filter and Intercooler	66
Inboard Exhaust Shrouds and Supercharger Cooling Ducts	34	Supercharger Air Filter Relief Valve Assemblies	68
Exhaust Collector Tailpipes	36	Intercooler Temperature Control—Wing	70
Landing Gear Support	38	Supercharger Oil Tank and Tank Supports	71
Flap Controls Motor Unit Assembly	39	LH Wing Supercharger Regulator Tubing and Controls	72
Wing Flap Control	40	RH Wing Supercharger Regulator Tubing and Controls	74
Outboard Fuel Tubing	42		

Table of Contents (continued)

LH Supercharger Control Bracket.....	76	Forward Section Bulkhead Doors.....	120
RH Supercharger Control Bracket.....	77	Forward Section Miscellaneous Fittings.....	122
Turbo-electric Regulator—Wing.....	78	Bomb Doors and Bomb Rail Support.....	123
Wing Electrical.....	80	Forward Entrance Door and Camera Door...	124
Nacelle Electrical.....	82	Wing Stub Fillet Fairing and Compression	
Nacelle Solenoid and Shields.....	84	Strut Fittings.....	126
Storage Battery Compartment.....	85	Rear Section Bulkhead Fittings.....	127
Wing and Nacelle Hydraulic System.....	86	Top Gun Emplacement Windows.....	128
Propeller Anti-icer—Wing.....	87	Waist Gun Windows.....	130
Wing De-icer System.....	88	Main Entrance and Emergency Exit Doors	
Engine Fire Extinguisher—Wing.....	90	and Releases.....	132
Vacuum System—Wing.....	91	Rear Section Miscellaneous Fittings.....	134
Heating and De-icing System—Wing.....	92	Rear Gun Mount and Tow Target Release...	136
Glycol System.....	94	Tail Gunner's Window Enclosure.....	138
Pressure Relief Valve Assembly and		Life Raft Doors and Raft Automatic Ejector..	140
Purolator Assembly.....	96	Seats Index.....	142
Cabin Heat Control Bracket.....	97	Pilot's and Co-pilot's Seat.....	144
Cabin Heat Control.....	98	Windshield Wipers.....	146
		Windshield Wiper Converter.....	147
Tail		Aileron Controls—Fuselage.....	148
Tail Surfaces.....	100	Elevator Controls—Fuselage.....	149
Tail Surfaces Details.....	102	Rudder Controls—Fuselage.....	150
Tail Surfaces Fairings and Gap Covers.....	104	Tab Controls—Fuselage.....	151
Tail De-icer.....	105	Control Column.....	152
Elevator Trim Tab Control.....	106	Rudder Pedals.....	154
Rudder Trim Tab Control.....	107	Brake Control.....	156
		Aileron Tab Control Assembly.....	157
Fuselage		Tail Wheel and Surface Control Locks—	
Nose Assembly.....	108	Fuselage.....	158
Forward Section Windows.....	110	Rudder and Elevator Lock Units.....	159
Forward Section Flooring Special Fittings.....	112	Wing Flap Control Mechanism.....	160
Pilot's Cockpit Windows and Windshield.....	114	Automatic Flight Control Equipment.....	161
Navigator's and Pilot's Station Bulkhead		Engine Controls—Fuselage.....	162
Fittings.....	116	Engine Control Stand.....	163
Radio Compartment Bulkhead Fittings.....	118	Control Stand Mixture Control Levers.....	164

Table of Contents (continued)

<p>Throttle Levers and Propeller Lock.....166</p> <p>Elevator Trim Tab Unit.....168</p> <p>Engine Control Stand Lower Pulley Rack....170</p> <p>Fuselage Fuel System.....171</p> <p>Auxiliary Fuel Tank Kit Assembly and Fuel Transfer Selector Valve.....172</p> <p>Pilot's Instrument Tubing.....175</p> <p>Instrument Equipment.....176</p> <p>Pilot's and Co-pilot's Instrument Board.....178</p> <p>Nose Section Electrical.....180</p> <p>Pilot's Compartment Electrical Equipment...182</p> <p>Central Control Board and Pilot's Control Panel.....185</p> <p>Forward Center Fuselage Electrical Equipment.....186</p> <p>Aft Center Fuselage Electrical Equipment...188</p> <p>Aft Fuselage Electrical Equipment.....190</p> <p>Bomber's Control and Instrument Panel....192</p> <p>Auxiliary Control Board Panel.....194</p> <p>Switch Panel and Formation Stick Equipment.195</p> <p>Turbo-electric Regulator—Fuselage.....196</p> <p>Intercooler Temperature Control Stand Assembly.....197</p> <p>Fuselage Hydraulic System.....198</p> <p>Cowl Flap System—Fuselage.....200</p> <p>Accumulator and Reservoir Tank.....202</p> <p>Hydraulic Hand Pump.....203</p> <p>Hydraulic Valve Assemblies.....204</p> <p>Motor Driven Gear Pump.....205</p> <p>Radio Antenna.....206</p> <p>Radio Antenna (Special).....208</p> <p>Forward Fuselage Radio Equipment.....209</p> <p>Radio Equipment—Aft.....210</p> <p>Special Radio Equipment.....212</p> <p>Radio Interphone.....214</p> <p>Oxygen System Control Panels.....216</p>	<p>Miscellaneous Oxygen Equipment.....218</p> <p>Engine Fire Extinguisher and Control—Fuselage.....220</p> <p>Vacuum System—Fuselage.....222</p> <p>Vacuum Selector and Safety Valve Assemblies.224</p> <p>Propeller Anti-icer—Fuselage.....225</p> <p>Fuselage De-icer System.....226</p> <p>Forward Fuselage Heating and De-icing System.....228</p> <p>Heating and De-icing System—Fuselage Aft..230</p> <p>Fuselage Forward Heating and Ventilating System.....232</p> <p>Heating and Ventilating System— Fuselage Aft.....234</p> <p>Cabin Heat Stand.....236</p> <p>Chin Turret.....237</p> <p>Cheek Guns and Equipment.....238</p> <p>Radio Compartment Gun.....240</p> <p>Power Turrets.....242</p> <p>Waist Guns.....243</p> <p>Waist Guns.....244</p> <p>Tail Gun Equipment.....246</p> <p>Tail Gun Sighting Equipment.....248</p> <p>Bombardier's Stand Assembly.....249</p> <p>Bomb Door Control.....250</p> <p>Bomb Door Controls Screw Assembly.....252</p> <p>Bomb Door Control Gear Assembly.....254</p> <p>Bomb Door Limit Switch.....256</p> <p>Bomb Control Unit Assembly.....257</p> <p>Bomb Rack and Door Control.....258</p> <p>Internal Bomb Hoist.....260</p> <p>Internal Bomb Rack—Outboard.....262</p> <p>Internal Bomb Rack—Inboard.....264</p> <p>Protective Armor.....266</p> <p>D6 Bomb Shackle Adapter.....268</p>
---	---

Table of Contents (continued)

Alighting Gear	
Universal Drag Link Assembly	269
Landing Gear and Brakes	270
Landing Gear Strut Assembly	272
Retracting Gear Mechanism Assembly	274
Landing Gear Hand Retracting Control	276
Brake Return Valve Assembly	278
Tail Gear Brake and Lock Assemblies	279
Tail Gear	280
Tail Gear Oleo Assembly	282
Tail Gear Retracting Assembly	283
Tail Gear Retracting Assembly	284
Power Plant	
Cowl Anti-drag Ring	285
Engine Accessories	286
Exhaust Manifold Assemblies	288
Engine Dynafocal Mount Assembly	290
Engine Dynafocal Mount Assembly	291
Cowling Flaps	292
Cowl Flaps Operating Mechanism	294
Fixed Cowling and Shrouds	296
Engine Starter Control and Support	298
Engine Starter Control and Support	299
Outboard Engine Controls	300
Inboard Engine Controls	301
LH Outboard and Inboard Engine Fuel System	302
RH Inboard and Outboard Engine Fuel System	303
LH Outboard and RH Inboard Engine Oil System	304
LH Inboard and RH Outboard Engine Oil System	305
Cowl Flap Cylinder Assembly	306
Functional Systems	
Rudder Control System	307
Elevator Control System	308
Aileron Control System	309
Tab Control System	310
Intercooler Temperature Control	311
Fuel System	312
Hydraulic System	313
Cowl Flap System	314
De-icer System	315
Heating and De-icing System	316
Heating and Ventilating System	317
Propeller Anti-icer System	318
Engine Fire Extinguisher System	319
Vacuum System	320
III NUMERICAL PARTS LIST	321
IV STANDARDS PARTS LIST	391
V SERVICE TOOLS	393
Engine and Wing Panels Hoisting Slings	394
Fuselage Hoisting Slings	395
Ground Handling Equipment	396
Service Tools	397
Service Tools	398
Service Tools	399
Service Tools	400
Service Tools	401
Operational Squadron Tool Kit Assembly	402
Service Squadron Tool Kit Assembly	403
Major Overhaul Tool Kit Assembly	404



Section one

INTRODUCTION

This Illustrated Parts Catalog has been prepared by the Boeing Aircraft Company to assist the U.S. Army Air Force maintenance personnel in identifying and ordering procurable spare parts.

The catalog has been compiled in accordance with U.S. Army and Navy Technical Order Specifications and covers U.S. Army Air Forces Model B-17G.

The catalog has been divided into five major sections. These are listed below in their respective order with a brief description of the information contained in each.

I INTRODUCTION

This section consists of instructions and reference data necessary for the complete comprehensive use of the catalog.

II GROUP ASSEMBLY PARTS LIST

This section has been divided into 5 major groups which denote the major component parts of the airplane. In addition—for purposes of reference—a group of complete functional systems has been included.

The airplane has been treated sectionally so that all parts which physically appear in each section of the airplane will be found in a like group in the Group Assembly Parts List. By reference to Figure 1 it may be determined where each group is divided. The Functional Systems group contains illustrations which show each system as it applies to the complete airplane.

Each assembly—and components thereof—has been considered for possible inclusion in the catalog and only those parts which were considered practical as replacement parts have been included.

In instances where a part has been changed during the course of the contract, both parts have been listed and identified in the usage code column as to the airplanes affected. To convert the usage code letter to the airplane serials covered, refer to the Usage Code Index in Section I.

In instances where a left hand and a right hand part are direct opposites (or nearly so), only the left hand part has been illustrated. In the parts list both left and right hand parts are broken down together with the listing of the right hand part directly following the listing of the left hand part. All components of a left or right hand installation or assembly are so designated in the nomenclature excepting those parts which are common to both.

III NUMERICAL PARTS LIST

All part numbers are listed in this section in numerical order with the index and figure number where each is shown in Section II.

IV STANDARD PARTS LIST

All standard parts numbers have been omitted here and included in Section III.

V SERVICE TOOLS

This section contains the special tools required for maintenance and repair.

HOW TO ...

HOW TO FIND THE NUMBER OF A PART ...

First, determine—by consulting Figure 1—the section of the airplane in which the part would be located. Next, turn to the Table of Contents and under that section, determine—by the illustration titles—the page on which the part would logically appear.

This illustration will show the part—if a procurable spare—with an index number. Refer to the parts list directly following the illustration and listed opposite the index number will be the part number, description, usage code and the quantity required of the part in question.

HOW TO FIND A PART WHEN THE NUMBER IS KNOWN ...

Refer to the Numerical Parts List, Section III. Opposite each part number is the figure and index number denoting where the part may be found in the Group Assembly Parts List.

HOW TO FIND A MISSING PART ...

Determine the assembly of which the part would be a component and find the illustration of that assembly in Section II by the method outlined in "How to Find the Number of a Part."

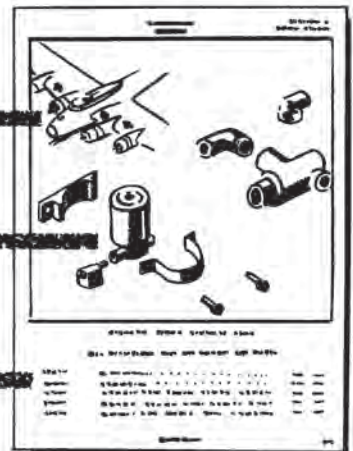
HOW TO ORDER ...

Give the full number (not the index number) as shown in the part number column and all the information in the nomenclature column of the Group Assembly Parts List.

LOCATED

ILLUSTRATED

LISTED



VENDORS LIST

- Adel Precision Products Corp.
Burbank, California
- Aeroquip Corp.
Jackson, Michigan
- Aero Supply Mfg. Co., Inc.
Corry, Pennsylvania
- Air Associates, Inc.
Inglewood, California
- Aircraft Accessories Corp.
Burbank, California
- AiResearch Mfg. Co.
Los Angeles, California
- American Air Filter Co.
Louisville, Kentucky
- American Bosch Corp.
Springfield, Mass.
- American Gas Accumulator Co.
Elizabeth, New Jersey
- American Hard Rubber Co.
New York, New York
- American LaFrance-Foamite Corp.
Elmira, New York
- American Phenolic Corp.
Chicago, Illinois
- Apex Machine & Tool Co.
Dayton, Ohio
- Ball Bros. Co.
Huntington, W. Va.
- Barber-Colman Co.
Rockford, Illinois
- Bendix Aviation Corp.
Detroit, Michigan
- Best Universal Lock Co.
Indianapolis, Indiana
- Briggs & Stratton Corp.
Milwaukee, Wisconsin
- Burdy Engineering Co., The
New York, New York
- Cannon Electric Development Co.
Los Angeles, California
- Chrysler Corp., Amplex Division
Detroit, Michigan
- Covert Mfg. Co.
Troy, New York
- Cramer-Posture Chair Co.
Kansas City, Missouri
- Cutler Hammer Inc.
Milwaukee, Wisconsin
- Dayton Mfg. Co.
Dayton, Ohio
- Delco Products Corp.
Flint, Michigan
- Denison Engineering Co.
Columbus, Ohio
- Drake Mfg. Co.
Chicago, Illinois
- Eberhard Mfg. Co.
Cleveland, Ohio
- Eclipse Aviation
Bendix, New Jersey
- Edgewater Steel Co.
Pittsburgh, Pennsylvania
- Edwards Co.
New York, New York
- Elastic Stop Nut Corp.
Union, New Jersey
- Electromatic
Chicago, Illinois
- Fafnir Bearing Co., The
New Britain, Connecticut
- Federal Bearings Co., Inc., The
Poughkeepsie, New York
- Garlock Packing Co.
Palmyra, New York
- General Electric Co.
Schenectady, New York
- Goodrich Co., The B. F.
Akron, Ohio
- Goodyear Tire & Rubber Co., Inc.
Akron, Ohio
- Graton and Knight Co.
Worcester, Massachusetts
- Guardian Electric Mfg. Co.
Chicago, Illinois
- Hamilton Standard Propellers
East Hartford, Connecticut
- Harvill Die Casting
Los Angeles, California
- Hayes Industries, Inc.
Jackson, Michigan
- Hubbel, Inc., Harvey
Bridgeport, Connecticut
- Jack & Heintz, Inc.
Bedford, Ohio
- Kenyon Instrument Co., Inc.
Huntington Station, N. Y.
- Kidde & Co., Inc., Walter
Bloomfield, New Jersey
- Kingwell Bros.
San Francisco, California
- Koehler Aircraft Products Co.
Dayton, Ohio
- Kollsman Instrument Co.
Elmhurst, New York
- Korry Mfg. Co.
Seattle, Washington
- Leach Relay Co.
Los Angeles, California
- Lewis Engineering Co., The
Naugatuck, Connecticut
- Liquidometer Corp., The
Long Island City, New York
- Lord Mfg. Co.
Erie, Pennsylvania
- Lovell Mfg. Co.
Erie, Pennsylvania
- Mallory Co., Inc., P. R.
Indianapolis, Indiana
- Manning, Maxwell & Moore
Bridgeport, Connecticut
- Marquette Metal Products
Cleveland, Ohio
- McQuay Aircraft Corp.
Los Angeles, California
- Micro Switch Corp.
Freeport, Illinois
- Mines Equipment Co.
St. Louis, Missouri
- Minneapolis-Honeywell Regulator Co.
Minneapolis, Minnesota
- North & Judd Mfg. Co.
New Britain, Connecticut
- Ohmite Mfg. Co.
Chicago, Illinois
- Parker Appliance Co., The
Cleveland, Ohio
- Peerless of America, Inc.
Chicago, Illinois
- Pesco Pump Engineering Service Corp.
Cleveland, Ohio
- Pioneer Instruments Division, Bendix
Bendix, New Jersey
- Purolator Products Inc.
Newark, New Jersey
- Rite Hardware Co.
Glendale, California
- Rochester Mfg. Co., The
Rochester, New York
- Romec Pump Co.
Elyria, Ohio
- Schrader's Son, A.
Brooklyn, New York
- Seattle Hardware Co.
Seattle, Washington
- Shakespeare Products Co.
Kalamazoo, Michigan
- Simmonds-AEROcessories
New York, New York
- SKF Industries
Philadelphia, Pennsylvania
- Smith Corp., A. O.
Milwaukee, Wisconsin
- Smoot-Holman
Inglewood, California
- Spencer Thermostat
Attleboro, Massachusetts
- Sperry Gyroscope Co.
Brooklyn, New York
- Square D Co.
Detroit, Michigan
- Starbird Co., Geo. A.
Los Angeles, California
- Sturges Mfg. Co.
Glendale, California
- Thompson Products Inc.
Cleveland, Ohio
- Thordarson Electric Mfg. Co.
Chicago, Illinois
- Timken Roller Bearing Co.
Canton, Ohio
- Tinnerman Products, Inc.
Cleveland, Ohio
- Torrington Co., The Bearings Division
Torrington, Connecticut
- United Aircraft Products, Inc.
Dayton, Ohio
- United-Carr Fastener Corp.
Cambridge, Massachusetts
- Waterbury Buckle Co.
Waterbury, Connecticut
- Weston Electrical Instrument Co.
Newark, New Jersey
- White Dental Mfg. Co., S. S.
Philadelphia, Pennsylvania
- Wright Aeronautical Corp.
Paterson, New Jersey

USAGE CODE INDEX

A	AF42-31032 thru AF42-31116	FB	AF42-31032 thru AF43-37671	KD	AF42-31032 and subsequent
B	AF42-31032 thru AF42-31131	GB	AF42-31032 thru AF43-37673	LD	AF42-31032 thru AF42-31076 and AF42-31277 thru AF42-31431
C	AF42-31032 thru AF42-31137	HB	AF42-31032 thru AF43-37723	MD	AF42-31032 thru AF42-31209 and AF42-31310 and subsequent
D	AF42-31032 thru AF42-31155	IB	AF42-31032 thru AF43-37727	ND	AF42-31032 thru AF42-31251 and AF43-37974 and subsequent
E	AF42-31032 thru AF42-31231	JB	AF42-31032 thru AF43-37773	OD	AF42-31032 thru AF42-31271 and AF43-37509 thru AF43-37908
F	AF42-31032 thru AF42-31251	KB	AF42-31032 thru AF43-37873	PD	AF42-31032 thru AF42-31313 and AF42-97328 and subsequent
G	AF42-31032 thru AF42-31271	LB	AF42-31032 thru AF43-37947	QD	AF42-31032 thru AF42-31331 and AF43-39117 and subsequent
H	AF42-31032 thru AF42-31274	MB	AF42-31032 thru AF43-37949	RD	AF42-31032 thru AF42-31951 and AF42-97058 and subsequent
I	AF42-31032 thru AF42-31281	NB	AF42-31032 thru AF43-37973	SD	AF42-31032 thru AF42-97131 and AF42-97273 thru AF42-102587
J	AF42-31032 thru AF42-31331	OB	AF42-31032 thru AF43-38008	TD	AF42-31032 thru AF42-97407 and AF43-38252 and subsequent
K	AF42-31032 thru AF42-31377	PB	AF42-31032 thru AF43-38062	UD	AF42-31032 thru AF42-102643 and AF43-38674 and subsequent
L	AF42-31032 thru AF42-31378	QB	AF42-31032 thru AF43-38073	VD	AF42-31032 thru AF43-38837 and AF43-39087 thru AF43-39158
M	AF42-31032 thru AF42-31381	RB	AF42-31032 thru AF43-38150	WD	AF42-31132 thru AF42-97407
N	AF42-31032 thru AF42-31431	SB	AF42-31032 thru AF43-38169	XD	AF42-31132 thru AF42-102943
O	AF42-31032 thru AF42-31435	TB	AF42-31032 thru AF43-38173	YD	AF42-31132 thru AF43-38062
P	AF42-31032 thru AF42-31441	UB	AF42-31032 thru AF43-38252	ZD	AF42-31132 thru AF43-39073
Q	AF42-31032 thru AF42-31481	VB	AF42-31032 thru AF43-38265	AE	AF42-31132 thru AF43-39082
R	AF42-31032 thru AF42-31498	WB	AF42-31032 thru AF43-38273	BE	AF42-31132 and subsequent
S	AF42-31032 thru AF42-31511	XB	AF42-31032 thru AF43-38362	CE	AF42-31138 thru AF42-31554
T	AF42-31032 thru AF42-31531	YB	AF42-31032 thru AF43-38382	DE	AF42-31156 thru AF43-38973
U	AF42-31032 thru AF42-31554	ZB	AF42-31032 thru AF43-38473	EE	AF42-31156 thru AF42-102413
V	AF42-31032 thru AF42-31581	AC	AF42-31032 thru AF43-38513	FE	AF42-31156 thru AF42-102926
W	AF42-31032 thru AF42-31676	BC	AF42-31032 thru AF43-38573	GE	AF42-31210 thru AF42-31309
X	AF42-31032 thru AF42-31681	CC	AF42-31032 thru AF43-38580	HE	AF42-31032 thru AF42-31531 and AF43-37509 and subsequent
Y	AF42-31032 thru AF42-31731	DC	AF42-31032 thru AF43-38589	IE	AF42-31232 thru AF42-31301
Z	AF42-31032 thru AF42-31845	EC	AF42-31032 thru AF43-38592	JE	AF42-31232 thru AF42-31335
AA	AF42-31032 thru AF42-31852	FC	AF42-31032 thru AF43-38608	KE	AF42-31232 thru AF42-31498
BA	AF42-31032 thru AF42-31931	GC	AF42-31032 thru AF43-38632	LE	AF42-31232 thru AF42-31731
CA	AF42-31032 thru AF42-31961	HC	AF42-31032 thru AF43-38652	ME	AF42-31232 thru AF42-31931
DA	AF42-31032 thru AF42-32066	IC	AF42-31032 thru AF43-38673	NE	AF42-31232 thru AF42-32116
EA	AF42-31032 thru AF42-32116	JC	AF42-31032 thru AF43-38698	OE	AF42-31232 thru AF42-102643
FA	AF42-31032 thru AF42-97060	KC	AF42-31032 thru AF43-38832	PE	AF42-31232 thru AF42-102926
GA	AF42-31032 thru AF42-97072	LC	AF42-31032 thru AF43-38973	QE	AF42-31232 thru AF42-102978
HA	AF42-31032 thru AF42-97172	MC	AF42-31032 thru AF43-39003		
IA	AF42-31032 thru AF42-97182	NC	AF42-31032 thru AF43-39008		
JA	AF42-31032 thru AF42-97272	OC	AF42-31032 thru AF43-39037		
KA	AF42-31032 thru AF42-97280	PC	AF42-31032 thru AF43-39042		
LA	AF42-31032 thru AF42-97370	QC	AF42-31032 thru AF43-39048		
MA	AF42-31032 thru AF42-97372	RC	AF42-31032 thru AF43-39053		
NA	AF42-31032 thru AF42-97401	SC	AF42-31032 thru AF43-39073		
OA	AF42-31032 thru AF42-97407	TC	AF42-31032 thru AF43-39082		
PA	AF42-31032 thru AF42-102378	UC	AF42-31032 thru AF43-39099		
QA	AF42-31032 thru AF42-102413	VC	AF42-31032 thru AF43-39108		
RA	AF42-31032 thru AF42-102443	WC	AF42-31032 thru AF43-39116		
SA	AF42-31032 thru AF42-102478	XC	AF42-31032 thru AF43-39122		
TA	AF42-31032 thru AF42-102543	YC	AF42-31032 thru AF43-39132		
UA	AF42-31032 thru AF42-102597	ZC	AF42-31032 thru AF43-39153		
VA	AF42-31032 thru AF42-102643	AD	AF42-31032 thru AF43-39163		
WA	AF42-31032 thru AF42-102708	BD	AF42-31032 thru AF43-39197		
XA	AF42-31032 thru AF42-102743	CD	AF42-31032 thru AF43-39202		
YA	AF42-31032 thru AF42-102852	DD	AF42-31032 thru AF43-39205		
ZA	AF42-31032 thru AF42-102926	ED	AF42-31032 thru AF43-39208		
AB	AF42-31032 thru AF42-102943	FD	AF42-31032 thru AF43-39248		
BB	AF42-31032 thru AF42-102973	GD	AF42-31032 thru AF43-39263		
CB	AF42-31032 thru AF42-102978	HD	AF42-31032 thru AF43-39273		
DB	AF42-31032 thru AF43-37590	ID	AF42-31032 thru AF43-39373		
EB	AF42-31032 thru AF43-37665	JD	AF42-31032 thru AF43-39480		

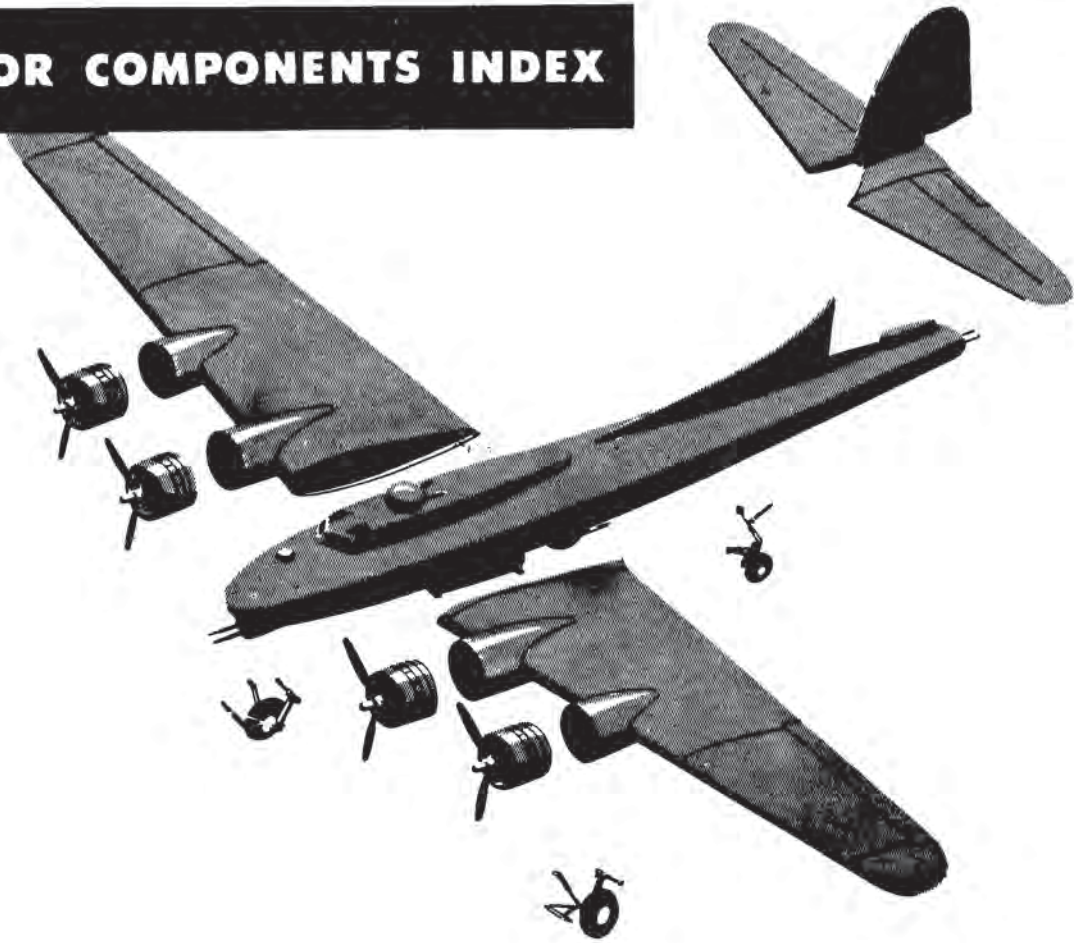
Usage Code Index (continued)

RE AF42-31232 thru AF43-37973
SE AF42-31232 thru AF43-38073
TE AF42-31232 thru AF43-38173
UE AF42-31232 thru AF43-38252
VE AF42-31232 thru AF43-38348
WE AF42-31232 thru AF43-38592
XE AF42-31232 thru AF43-38673
YE AF42-31232 thru AF43-39373
ZE AF42-31232 and subsequent
AF AF42-31232 thru AF42-97407
and
AF43-38174 and subsequent
BF AF42-31232 thru AF43-38273
and
AF43-38429 and subsequent
CF AF42-31272 thru AF42-102978
DF AF42-31272 and subsequent
EF AF42-31272 thru AF42-102978
and
AF43-37909 and subsequent
FF AF42-31275 and Subsequent
GF AF42-31302 thru AF43-38348
HF AF42-31314 thru AF42-97327
IF AF42-31332 thru AF42-32116
JF AF42-31332 thru AF42-97172
KF AF42-31332 thru AF42-97407
LF AF42-31332 thru AF43-38073
MF AF42-31332 thru AF43-38508
NF AF42-31332 thru AF43-39116
OF AF42-31332 and subsequent
PF AF42-31336 thru AF43-38348
QF AF42-31336 and subsequent
RF AF42-31378 and subsequent
SF AF42-31382 thru AF42-97172
TF AF42-31432 thru AF42-97172
UF AF42-31432 thru AF42-97407
VF AF42-31432 thru AF43-38573
WF AF42-31432 and subsequent
XF AF42-31442 thru AF43-39073
YF AF42-31482 and subsequent
ZF AF42-31499 thru AF42-102543
AG AF42-31499 thru AF42-102643
BG AF42-31499 thru AF43-38473
CG AF42-31499 and subsequent
DG AF42-31512 and subsequent
EG AF42-31531 and subsequent
FG AF42-31532 thru AF42-31731
GG AF42-31532 thru AF42-97407
HG AF42-31532 thru AF42-102978
IG AF42-31532 thru AF43-37727
JG AF42-31532 thru AF43-37928
KG AF42-31532 thru AF43-38073
LG AF42-31532 thru AF43-38592
MG AF42-31532 thru AF43-39108
NG AF42-31532 and subsequent
OG AF42-31555 and subsequent
PG AF42-31582 and subsequent
QG AF42-31677 and subsequent
RG AF42-31682 thru AF42-97401
SG AF42-31682 and subsequent
TG AF42-31732 thru AF42-102978
UG AF42-31732 thru AF43-38073
VG AF42-31732 thru AF43-39208
WG AF42-31732 and subsequent
XG AF42-31846 thru AF43-38673
YG AF42-31846 and subsequent
ZG AF42-31932 thru AF42-31942
AH AF42-31932 thru AF42-102978
BH AF42-31932 thru AF43-38748
CH AF42-31932 thru AF43-38992
DH AF42-31932 thru AF43-39108
EH AF42-31932 and subsequent
FH AF42-31943 thru AF42-102543
GH AF42-31952 thru AF42-32116
HH AF42-31962 and subsequent
IH AF42-32067 and subsequent
JH AF42-97058 thru AF42-97172
KH AF42-97058 thru AF42-102543
LH AF42-97058 thru AF42-102643
MH AF42-97058 thru AF42-102978
NH AF42-97058 thru AF43-38062
OH AF42-97058 thru AF43-38073
PH AF42-97058 thru AF43-38252
QH AF42-97058 and subsequent
RH AF42-97061 and subsequent
SH AF42-97173 thru AF42-97296
TH AF42-97173 thru AF42-97372
UH AF42-97173 thru AF42-102743
VH AF42-97173 thru AF42-102978
WH AF42-97173 thru AF43-37803
XH AF42-97173 thru AF43-38073
YH AF42-97173 thru AF43-38125
ZH AF42-97173 thru AF43-38173
AI AF42-97173 thru AF43-38273
BI AF42-97173 thru AF43-38673
CI AF42-97173 thru AF43-38792
DI AF42-97173 thru AF43-38832
EI AF42-97173 thru AF43-38953
FI AF42-97173 thru AF43-39116
GI AF42-97173 thru AF43-39163
HI AF42-97173 thru AF43-39223
II AF42-97173 thru AF43-39363
JI AF42-97173 and subsequent
KI AF42-97262 thru AF43-38073
LI AF42-97262 and subsequent
MI AF42-97273 and subsequent
NI AF42-97281 and subsequent
OI AF42-97297 thru AF42-97407
PI AF42-97371 and subsequent
QI AF42-97373 thru AF42-102413
RI AF42-97373 and subsequent
SI AF42-97402 and subsequent
TI AF42-102379 thru AF42-102943
UI AF42-102379 thru AF42-102978
VI AF42-102379 thru AF43-37673
WI AF42-102379 thru AF43-38062
XI AF42-102379 thru AF43-38073
YI AF42-102379 thru AF43-38173
ZI AF42-102379 thru AF43-38251
AJ AF42-102379 thru AF43-38273
BJ AF42-102379 thru AF43-38362
CJ AF42-102379 thru AF43-38363
DJ AF42-102379 thru AF43-38473
EJ AF42-102379 thru AF43-38973
FJ AF42-102379 thru AF43-39027
GJ AF42-102379 thru AF43-39037
HJ AF42-102379 thru AF43-39058
IJ AF42-102379 thru AF43-39208
JJ AF42-102379 thru AF43-39273
KJ AF42-102379 and subsequent
LJ AF42-102379 thru AF43-38273
and
AF43-38429 and subsequent
MJ AF42-102414 thru AF43-38073
NJ AF42-102414 thru AF43-38973
OJ AF42-102414 thru AF43-39123
PJ AF42-102414 and subsequent
QJ AF42-102444 thru AF42-102643
RJ AF42-102444 thru AF43-38973
SJ AF42-102444 and subsequent
TJ AF42-102479 thru AF42-102978
UJ AF42-102479 thru AF43-37773
VJ AF42-102479 and subsequent
WJ AF42-102544 thru AF42-102743
XJ AF42-102544 thru AF42-102973
YJ AF42-102544 thru AF43-37973
ZJ AF42-102544 thru AF43-38073
AK AF42-102544 thru AF43-38173
BK AF42-102544 thru AF43-39082
CK AF42-102544 thru AF43-39163
DK AF42-102544 and subsequent
EK AF42-102598 and subsequent
FK AF42-102643 and subsequent
GK AF42-102644 thru AF43-38473
HK AF42-102644 thru AF43-38632
IK AF42-102644 thru AF43-38673
JK AF42-102644 and subsequent
KK AF42-102709 and subsequent
LK AF42-102739 and subsequent
MK AF42-102744 thru AF43-37665
NK AF42-102744 thru AF43-38273
OK AF42-102744 thru AF43-38632
PK AF42-102744 and subsequent
QK AF42-102844 thru AF43-39027
RK AF42-102844 and subsequent
SK AF42-102853 and subsequent
TK AF42-102927 thru AF43-38973
UK AF42-102927 thru AF43-39073
VK AF42-102927 and subsequent
WK AF42-102944 thru AF43-37973
XK AF42-102944 thru AF43-38173
YK AF42-102944 thru AF43-38362

Usage Code Index (continued)

ZK	AF42-102944 thru AF43-39027	CN	AF43-38174 thru AF43-38698	FP	AF43-38859 and subsequent
AL	AF42-102944 and subsequent	DN	AF43-38174 thru AF43-39082	GP	AF43-38874 and subsequent
BL	AF42-102974 and subsequent	EN	AF43-38174 and subsequent	HP	AF43-38948 thru AF43-39099
CL	AF42-102979 and subsequent	FN	AF43-38252 thru AF43-39273	IP	AF43-38948 and subsequent
DL	AF43-37509 thru AF43-37927	GN	AF43-38252 and subsequent	JP	AF43-38954 and subsequent
EL	AF43-37509 thru AF43-38073	HN	AF43-38253 thru AF43-39073	KP	AF43-38974 thru AF43-39073
FL	AF43-37509 thru AF43-38252	IN	AF43-38253 thru AF43-39373	LP	AF43-38974 thru AF43-39212
GL	AF43-37509 thru AF43-38592	JN	AF43-38253 and subsequent	MP	AF43-38974 and subsequent
HL	AF43-37509 thru AF43-39208	KN	AF43-38266 and subsequent	NP	AF43-38993 and subsequent
IL	AF43-37509 and subsequent	LM	AF4-38270 and subsequent	OP	AF43-39004 and subsequent
JL	AF43-37509 thru AF43-37523 and AF43-38510 and subsequent	MN	AF43-38274 thru AF43-38428	PP	AF43-39009 and subsequent
KL	AF43-37591 and subsequent	NN	AF43-38274 thru AF43-38973	QP	AF43-39028 thru AF43-39273
LL	AF43-37666 and subsequent	ON	AF43-38274 thru AF43-39027	RP	AF43-39038 and subsequent
LL	AF43-37666 and subsequent	PN	AF43-38274 thru AF43-39205	SP	AF43-39043 and subsequent
ML	AF43-37672 thru AF43-39108	QN	AF43-38274 and subsequent	TP	AF43-39054 and subsequent
NL	AF43-37672 and subsequent	RN	AF43-38296 and subsequent	UP	AF43-39059 and subsequent
OL	AF43-37674 thru AF43-38073	SN	AF43-38349 and subsequent	VP	AF43-39074 and subsequent
PL	AF43-37674 and subsequent	TN	AF43-38353 and subsequent	WP	AF43-39083 and subsequent
QL	AF43-37724 and subsequent	UN	AF43-38362 thru AF43-39082	XP	AF43-39094 and subsequent
RL	AF43-37728 thru AF43-37927	VN	AF43-38363 thru AF43-38973	YP	AF43-39100 and subsequent
SL	AF43-37728 thru AF43-39099	WN	AF43-38363 thru AF43-39273	ZP	AF43-39109 thru AF43-39116
TL	AF43-37728 and subsequent	XN	AF43-38363 and subsequent	AQ	AF43-39109 and subsequent
UL	AF43-37774 thru AF43-38073	YN	AF43-38364 thru AF43-39273	BQ	AF43-39117 thru AF43-39208
VL	AF43-37774 thru AF43-38362	ZN	AF43-38383 and subsequent	CQ	AF43-39117 and subsequent
WL	AF43-37774 thru AF43-39082	AO	AF43-38429 thru AF43-39205	DQ	AF43-39123 and subsequent
XL	AF43-37774 and subsequent	BO	AF43-38449 thru AF43-38473	EQ	AF43-39124 and subsequent
YL	AF43-37804 and subsequent	CO	AF43-38449 and subsequent	FQ	AF43-39133 and subsequent
ZL	AF43-37874 thru AF43-38473	DO	AF43-38474 thru AF43-38793	GQ	AF43-39143 and subsequent
AM	AF43-37928 thru AF43-38947	EO	AF43-38474 thru AF43-39208	HQ	AF43-39154 and subsequent
BM	AF43-37928 thru AF43-38973	FO	AF43-38474 thru AF43-39343	IQ	AF43-39158 and subsequent
CM	AF43-37928 and subsequent	GO	AF43-38474 thru AF43-39363	JQ	AF43-39164 and subsequent
DM	AF43-37929 and subsequent	HO	AF43-38474 and subsequent	KQ	AF43-39198 and subsequent
EM	AF43-37948 and subsequent	IO	AF43-38508 and subsequent	LQ	AF43-39203 and subsequent
FM	AF43-37950 and subsequent	JO	AF43-38509 thru AF43-39214	MQ	AF43-39206 and subsequent
GM	AF43-37974 thru AF43-39037	KO	AF43-38509 and subsequent	NQ	AF43-39209 thru AF43-39363
HM	AF43-37974 and subsequent	LO	AF43-38514 and subsequent	OQ	AF43-39209 thru AF43-39384
IM	AF43-38009 thru AF43-37674	MO	AF43-38574 thru AF43-38673	PQ	AF43-39209 and subsequent
JM	AF43-38058 and subsequent	NO	AF43-38574 and subsequent	QQ	AF43-39213 and subsequent
KM	AF43-38063 and subsequent	OO	AF43-38590 and subsequent	RQ	AF43-39215 and subsequent
LM	AF43-38074 only	PO	AF43-38593 and subsequent	SQ	AF43-39224 and subsequent
MM	AF43-38074 thru AF43-38173	QO	AF43-38609 and subsequent	TQ	AF43-39234 and subsequent
NM	AF43-38074 thru AF43-38269	RO	AF43-38633 and subsequent	UQ	AF43-39249 and subsequent
OM	AF43-38074 thru AF43-38295	SO	AF43-38653 and subsequent	VQ	AF43-39264 and subsequent
PM	AF43-38074 thru AF43-38448	TO	AF43-38674 thru AF43-38832	WQ	AF43-39274 and subsequent
QM	AF43-38074 thru AF43-38473	UO	AF43-38674 thru AF43-38973	XQ	AF43-39344 and subsequent
RM	AF43-38074 thru AF43-38508	VO	AF43-38674 thru AF43-39373	YQ	AF43-39364 and subsequent
SM	AF43-38074 thru AF43-38573	WO	AF43-38674 and subsequent	ZQ	AF43-39374 and subsequent
TM	AF43-38074 thru AF43-38858	XO	AF43-38699 and subsequent	AR	AF43-39383 and subsequent
UM	AF43-38074 thru AF43-38873	YO	AF43-38749 and subsequent	BR	AF43-39385 and subsequent
YM	AF43-38074 thru AF43-39116	ZO	AF43-38793 and subsequent	CR	AF43-39439 and subsequent
WM	AF43-38074 thru AF43-39208	AP	AF43-38794 and subsequent	DR	AF43-39481 and subsequent
XM	AF43-38074 and subsequent	BP	AF43-38824 and subsequent	ER	AF42-31032 thru AF44-83360 and AF44-83401 thru AF44-83485
YM	AF43-38151 and subsequent	CP	AF43-38833 thru AF43-39208	FR	AF44-83361 thru AF44-83400 and AF44-83486 and subsequent
ZM	AF43-38170 and subsequent	DP	AF43-38833 and subsequent		
AN	AF43-38174 thru AF43-38362	EP	AF43-38838 thru AF43-39086 and AF43-39159 and subsequent		
BN	AF43-38174 thru AF43-38573				

MAJOR COMPONENTS INDEX








- 1**
WING GROUP 
- 2**
TAIL GROUP 
- 3**
FUSELAGE GROUP 
- 4**
ALIGHTING GEAR GROUP 
- 5**
POWER PLANT GROUP 

Figure 1



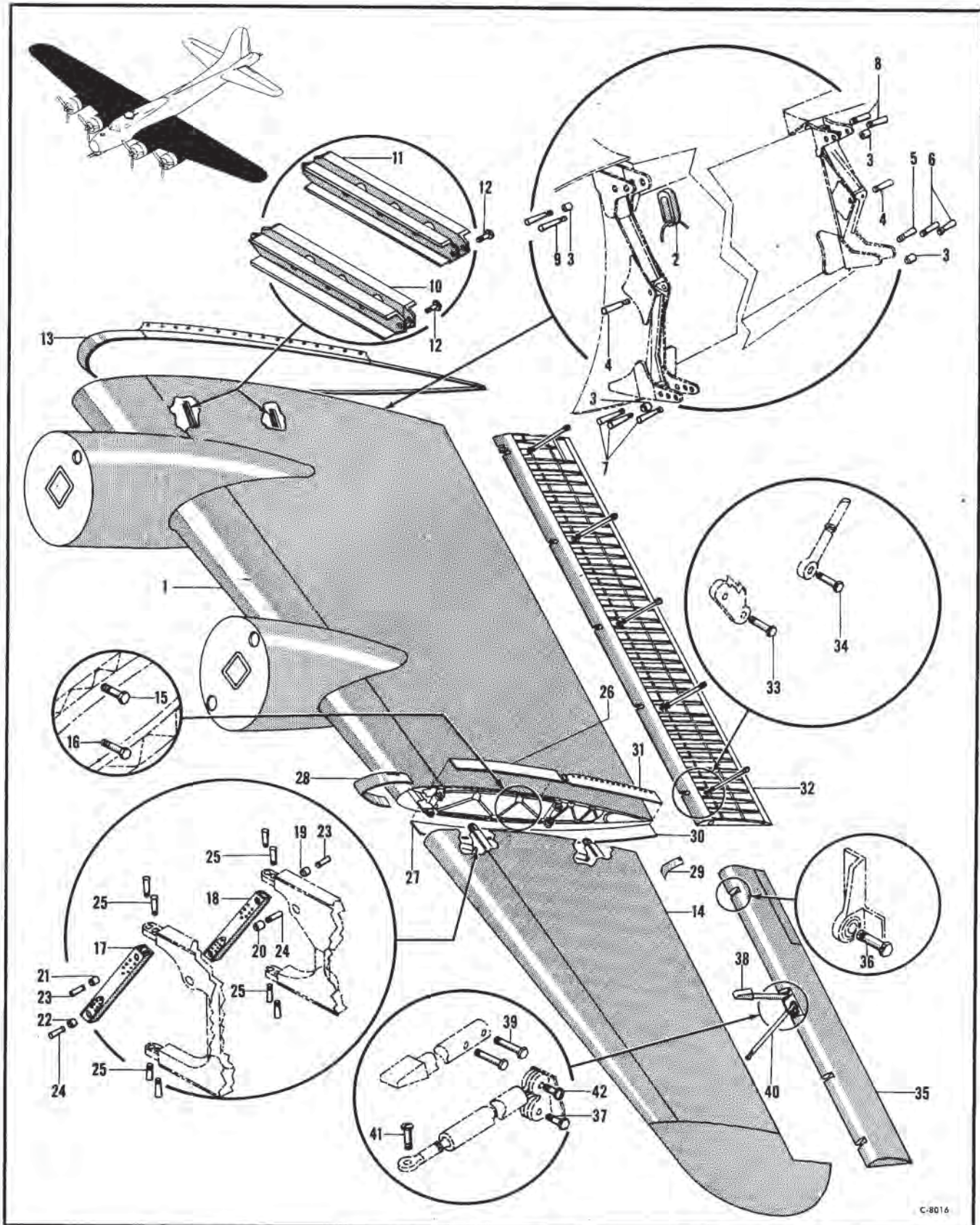
Section two

**GROUP ASSEMBLY
PARTS LIST**

Section I I
Group Assembly Parts List

AN 01-20EG-4

WING



C-8016

Figure 2—Wing Index

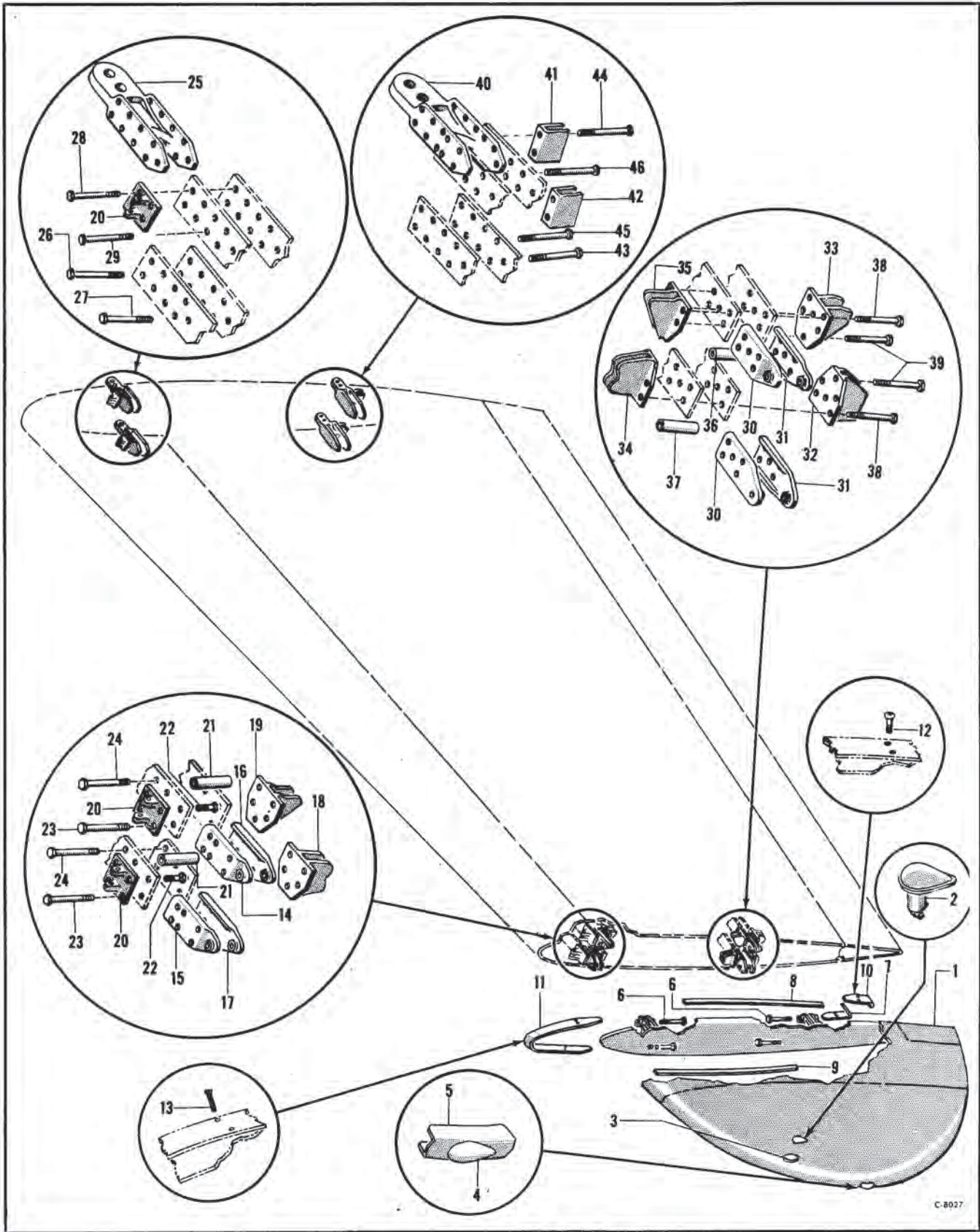
AN 01-20EG-4

WING

Wing Index

Figure & Index No.	Part Number	1 2 3 4 5 6 7	Nomenclature	Usage Code	Units Per Assy.
2-1	15-7975-81		Wing Index		
	15-7975-82		Wing Assembly—Inner LH (see fig. 9)	QB	1
	15-7975-122		Wing Assembly—Inner RH (see fig. 9)	QB	1
	15-7975-123		Wing Assembly—Inner LH (see fig. 9)	XM	1
	64-1080		Wing Assembly—Inner RH (see fig. 9)	XM	1
	64-1080-1		Installation—Inner connection LH	All	NP
			Installation—Inner connection RH	All	NP
2	41-9507		Link—Hoisting	All	1
3	51-176		Spacer—Wing connection	All	4
4	AN386-8-25		Pin—Threaded taper	All	2
5	AN386-8-31		Pin—Threaded taper	All	1
6	AN386-9-31		Pin—Threaded taper	All	2
7	AN386-9-32		Pin—Threaded taper	All	3
8	AN386-10-29		Pin—Threaded taper	All	2
9	AN386-10A-30		Pin—Threaded taper	All	2
10	41-5881		Brace Assembly—Front	All	2
11	41-5881-1		Brace Assembly—Rear	All	2
12	AN4-10A		Bolt—Aircraft	All	8
	AN365-428		Nut—Self-locking	All	8
	AN960-416		Washer—Plain	All	8
13	64-1031		Installation—Wing gap cover LH (see fig. 4)	All	NP
	64-1031-1		Installation—Wing gap cover RH (see fig. 4)	All	NP
14	85-4772-700		Wing Assembly—Outer LH (see fig. 3, 5 and 6)	All	1
	85-4772-701		Wing Assembly—Outer RH (see fig. 3, 5 and 6)	All	1
15	AN5-11A		Bolt—Aircraft	All	48
16	AN6-12A		Bolt—Aircraft	All	48
	55-4764		Installation—Outer connection LH	All	NP
	55-4764-1		Installation—Outer connection RH	All	NP
17	3-8760		Strut Assembly—Front spar	All	1
18	3-8761		Strut Assembly—Rear spar	All	1
19	51-176-1		Spacer	All	1
20	51-176-2		Spacer	All	1
21	51-176-3		Spacer	All	1
22	51-176-4		Spacer	All	1
23	AN386-5-24A		Pin—Threaded taper	All	2
24	AN386-5-27A		Pin—Threaded taper	All	2
25	AN386-6-14A		Pin—Threaded taper	All	8
26	84-1580-700		Cover—Upper LH	All	1
	84-1580-701		Cover—Upper RH	All	1
27	84-1580-16		Cover—Lower LH	All	1
	84-1580-17		Cover—Lower RH	All	1
28	84-1580-702		Cover—Gap nose LH	All	1
	84-1580-703		Cover—Gap nose RH	All	1
29	84-1580-8		Cover—Gap rear LH	All	1
	84-1580-9		Cover—Gap rear RH	All	1
30	84-1580-10		Cover—Gap lower LH	All	1
	84-1580-11		Cover—Gap lower RH	All	1
31	84-1580-14		Cover—Gap upper LH	All	1
	84-1580-15		Cover—Gap upper RH	All	1
32	75-5127-617		Flap Assembly—LH (see fig. 8)	All	1
	75-5127-618		Flap Assembly—RH (see fig. 8)	All	1
33	AN4-24		Bolt—Aircraft	All	10
34	AN5-15		Bolt—Aircraft	All	10
35	58-784		Aileron Assembly—LH (see fig. 7)	All	1
	58-784-1		Aileron Assembly—RH (see fig. 7)	All	1
36	AN4-12		Bolt—Aircraft	All	6
37	AN4-16		Bolt—Aircraft	All	2
	AN310-4		Nut—Aircraft castle	All	8
	AN960-416		Washer—Plain	All	18
38	6-8992-6		Weight Assembly—LH	All	1
	6-8992-7		Weight Assembly—RH	All	1
39	NAS54A21S		Bolt—Close tolerance	All	4
	AN365-428		Nut—Self-locking	All	4
	AN960-416		Washer—Plain	All	4
40	3-12098-3		Rod Assembly	All	2
41	AN25-23		Bolt—Clevis	All	2
42	AN25-25		Bolt—Clevis	All	2
	AN320-5		Nut—Aircraft shear	All	4

WING



C.8027

Figure 3—Outer Wing Panel Details

AN 01-20EG-4

WING

Outer Wing Panel Details

Figure & Index No.	Part-Number	1 2 3 4 5 6 7	Nomenclature	Usage Code	Units Per Assy.
			Outer Wing Panel Details		
	85-4772-700		Wing Assembly—Outer LH (see fig. 2)	All	Ref
	85-4772-701		Wing Assembly—Outer RH (see fig. 2)	All	Ref
3-1	75-3590-620		Tip Assembly—Wing LH	GD	1
	75-3590-621		Tip Assembly—Wing RH	GD	1
	75-3590-807		Tip Assembly—Wing LH	VQ	1
	75-3590-808		Tip Assembly—Wing RH	VQ	1
	49-1777-409		Installation—Wing running light LH	Z	NP
	49-1777-410		Installation—Wing running light RH	Z	NP
2	37B4962-1		Lamp Assembly—Type A-8 upper LH (red) GFE	Z	1
	37B4962-2		Lamp Assembly—Type A-8 upper RH (green) GFE	Z	1
3	37B4962-3		Lamp Assembly—Type A-8 lower LH (red) GFE	Z	1
	37B4962-4		Lamp Assembly—Type A-8 lower RH (green) GFE	Z	1
	NO NUMBER		Lamp (type G-6 6CP 12-16V SC) GFE	Z	2
	NO NUMBER		Lamp (type T4 1-2 6CP 24V SC) GFE	Z	2
	AN515-6-7		Screw—Round head	Z	6
	2-1885		Installation—Position lamp LH	YG	NP
	2-1885-1		Installation—Position lamp RH	YG	NP
	2-1885-3		Lamp Assembly—LH	YG	1
	2-1885-4		Lamp Assembly—RH	YG	1
4	NO NUMBER		Lamp Assembly—Position (LH) (red)	YG	1
			(Type A-9) (spec 94-32262) GFE	YG	1
			Lamp Assembly—Position (RH) (green)	YG	1
			(Type A-9) (spec 94-32262) GFE	YG	1
5	2-1885-2		Fairing—Position lamp	YG	1
	AN505-4R7		Screw—82 degree flat head	YG	3
	AN531-3R8		Screw—Sheet metal flat head	YG	4
6	NAS55A22		Bolt—Close tolerance	All	4
	AN365-524		Nut—Self-locking	All	4
	AN960-516		Washer—Plain	All	8
7	75-4772-4		Cover—Gap (lower LH)	All	1
	75-4772-5		Cover—Gap (lower RH)	All	1
8	75-4772-13		Cover—Gap (upper LH and lower RH)	All	1
9	75-4772-14		Cover—Gap (lower LH and upper RH)	All	1
10	75-4772-17		Cover—Gap (upper LH)	All	1
	75-4772-18		Cover—Gap (upper RH)	All	1
11	75-4772-604		Cover Assembly—Gap nose (LH)	All	1
	75-4772-605		Cover Assembly—Gap nose (RH)	All	1
12	NAS221-8		Screw—Brazier head	All	142
13	AN510-10R10		Screw—82 degree flat head	All	16
	64-1424-531		Spar Assembly—Wing outboard front LH	All	1
	64-1424-532		Spar Assembly—Wing outboard rear RH	All	1
14	21-6107		Plate Assembly—Wing tip hinge (upper front)	All	1
15	21-6107-1		Plate Assembly—Wing tip hinge (lower front)	All	1
16	21-6108		Plate Assembly—Wing tip hinge (upper rear)	All	1
17	21-6108-1		Plate Assembly—Wing tip hinge (lower rear)	All	1
18	3-11745		Clip—Lower rear station 33 (LH)	All	1
	3-11745-1		Clip—Lower rear station 33 (RH)	All	1
19	3-11746		Clip—Upper rear station 33 (LH)	All	1
	3-11746-1		Clip—Upper rear station 33 (RH)	All	1
20	21-5566-1		Clip—Stations 19A and 33 forward side	All	4
21	BAC1604-140		Spacer (station 33 upper and lower)	All	2
22	NAS54A7		Bolt—Close tolerance	All	8
23	NAS54A27DD		Bolt—Close tolerance	All	2
24	NAS54A6-5		Bolt—Close tolerance	All	4
25	3-11721		Terminal	All	2
26	NAS54A27		Bolt—Close tolerance	All	4
27	NAS56A27-5DD		Bolt—Close tolerance	All	5
28	NAS54A27-5		Bolt—Close tolerance	All	4
29	NAS56A30DD		Bolt—Close tolerance	All	5
	AN365-428		Nut—Self-locking	All	20
	AN365D428		Nut—Self-locking	All	2
	AN365D624		Nut—Self-locking	All	10
	64-1425-529		Spar Assembly—Wing outboard rear LH	All	1
	64-1425-530		Spar Assembly—Wing outboard rear RH	All	1
30	21-6094		Plate Assembly—Wing tip hinge rear LH	All	2
31	21-6094-1		Plate Assembly—Wing tip hinge rear RH	All	2
32	41-9669-2		Clip—Lower rear station 33	All	1
33	41-9670-2		Clip—Upper rear station 33	All	1
34	3-11745-2		Clip—Station 33 lower front	All	1
35	3-11746-2		Clip—Station 33 upper front	All	1
36	BAC1604-108		Spacer (station 33 upper and lower)	All	2
37	BAC1604-140		Spacer (station 33 upper and lower)	All	2
38	NAS54A7		Bolt—Close tolerance	All	16
39	NAS54A27-5DD		Bolt—Close tolerance	All	4
	AN365-428		Nut—Self-locking	All	16
	AN365D428		Nut—Self-locking	All	4
40	3-11721-1		Terminal	All	2
41	41-9667		Clip—Station 19A (upper rear)	All	1
42	41-9667-1		Clip—Station 19A (lower rear)	All	1
43	NAS54A26-5		Bolt—Close tolerance	All	3
44	NAS54A27		Bolt—Close tolerance	All	3
45	NAS56A27-5DD		Bolt—Close tolerance	All	6
46	NAS56A30DD		Bolt—Close tolerance	All	6
	AN365-428		Nut—Self-locking	All	6
	AN365D624		Nut—Self-locking	All	12
	15-18906-4		Angle—Wing tip reinforcing	All	2
	15-18906-2		Deflector—Wing tip vent LH	All	1
	15-18906-3		Deflector—Wing tip vent RH	All	1

Section I I
Group Assembly Parts List

AN 01-20EG-4

WING

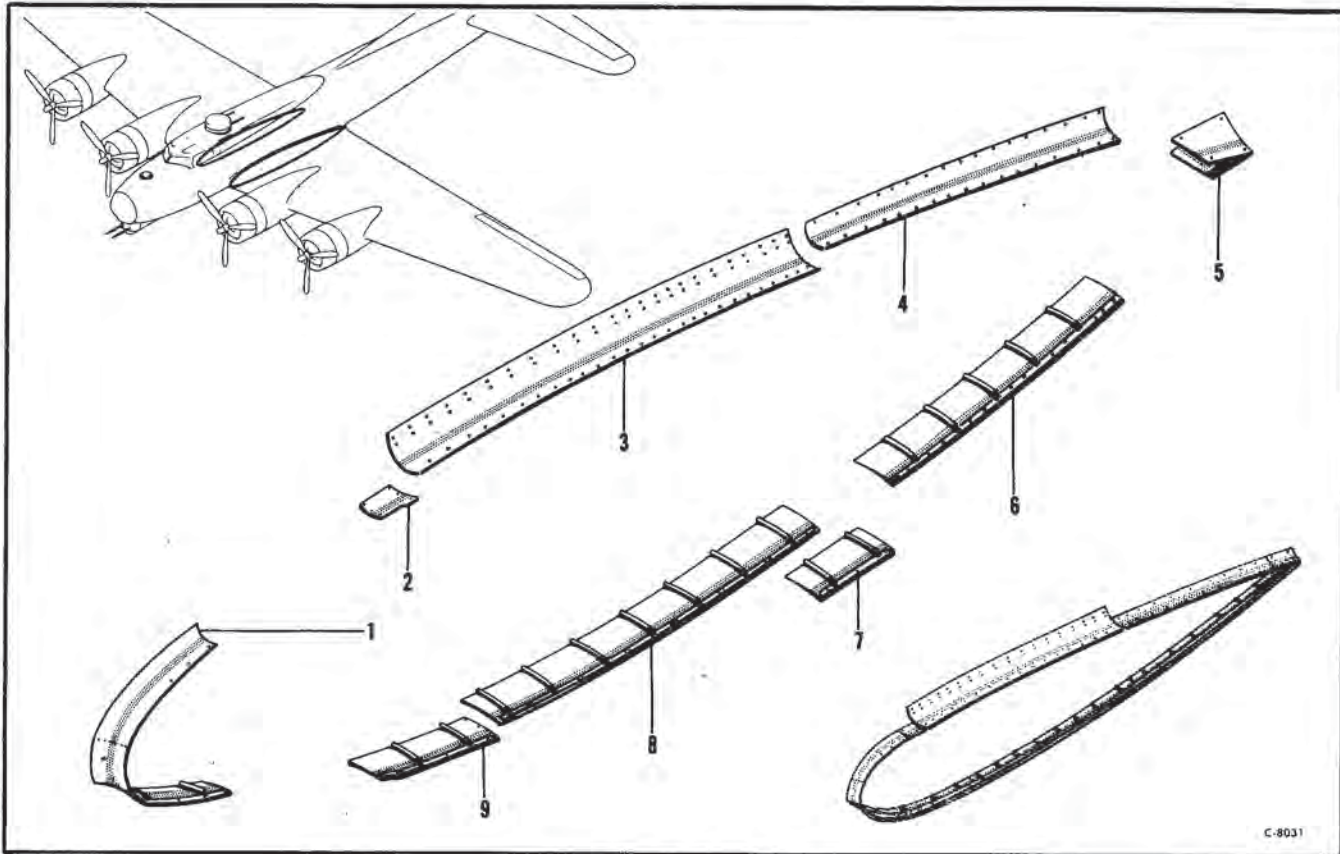


Figure 4—Wing Gap Cover

Wing Gap Cover

Figure & Index No.	Part Number	1	2	3	4	5	6	7	Nomenclature	Usage Code	Units Per Assy.
	64-1031								Installation—Wing gap cover LH (see fig. 2)	All	NP
	64-1031-1								Installation—Wing gap cover RH (see fig. 2)	All	NP
4-1	64-1031-400								Cover Assembly—Leading edge LH	Y	1
	64-1031-401								Cover Assembly—Leading edge RH	Y	1
	64-1031-535								Cover Assembly—Leading edge LH	WG	1
	64-1031-536								Cover Assembly—Leading edge RH	WG	1
	AN526-1032R10								Screw—Truss head	All	34
2	64-1031-32								Door—LH	Y	1
	64-1031-33								Door—RH	Y	1
	64-1031-553								Door—LH	WG	1
	64-1031-554								Door—RH	WG	1
	AN526-1032R10								Screw—Truss head	All	7
3	64-1031-425								Cover Assembly—Upper center LH	All	1
	64-1031-426								Cover Assembly—Upper center RH	All	1
	AN526-1032R10								Screw—Truss head	All	40
4	64-1031-538								Cover Assembly—Upper rear LH	All	1
	64-1031-537								Cover Assembly—Upper rear RH	All	1
	AN526-1032R10								Screw—Truss head	All	34
5	64-1031-546								Cover Assembly—Trailing edge LH	All	1
	64-1031-547								Cover Assembly—Trailing edge RH	All	1
	AN526-1032R10								Screw—Truss head	All	4
6	64-1031-500								Cover Assembly—Lower rear LH	All	1
	64-1031-501								Cover Assembly—Lower rear RH	All	1
	AN526-1032R10								Screw—Truss head	All	26
7	64-1031-418								Door Assembly—Access LH	All	1
	64-1031-419								Door Assembly—Access RH	All	1
	AN526-1032R10								Screw—Truss head	All	9
8	64-1031-410								Cover Assembly—Lower center LH	All	1
	64-1031-411								Cover Assembly—Lower center RH	All	1
	AN526-1032R10								Screw—Truss head	All	29
9	64-1031-408								Cover Assembly—Lower front LH	All	1
	64-1031-409								Cover Assembly—Lower front RH	All	1
	AN526-1032R10								Screw—Truss head	All	9

WING

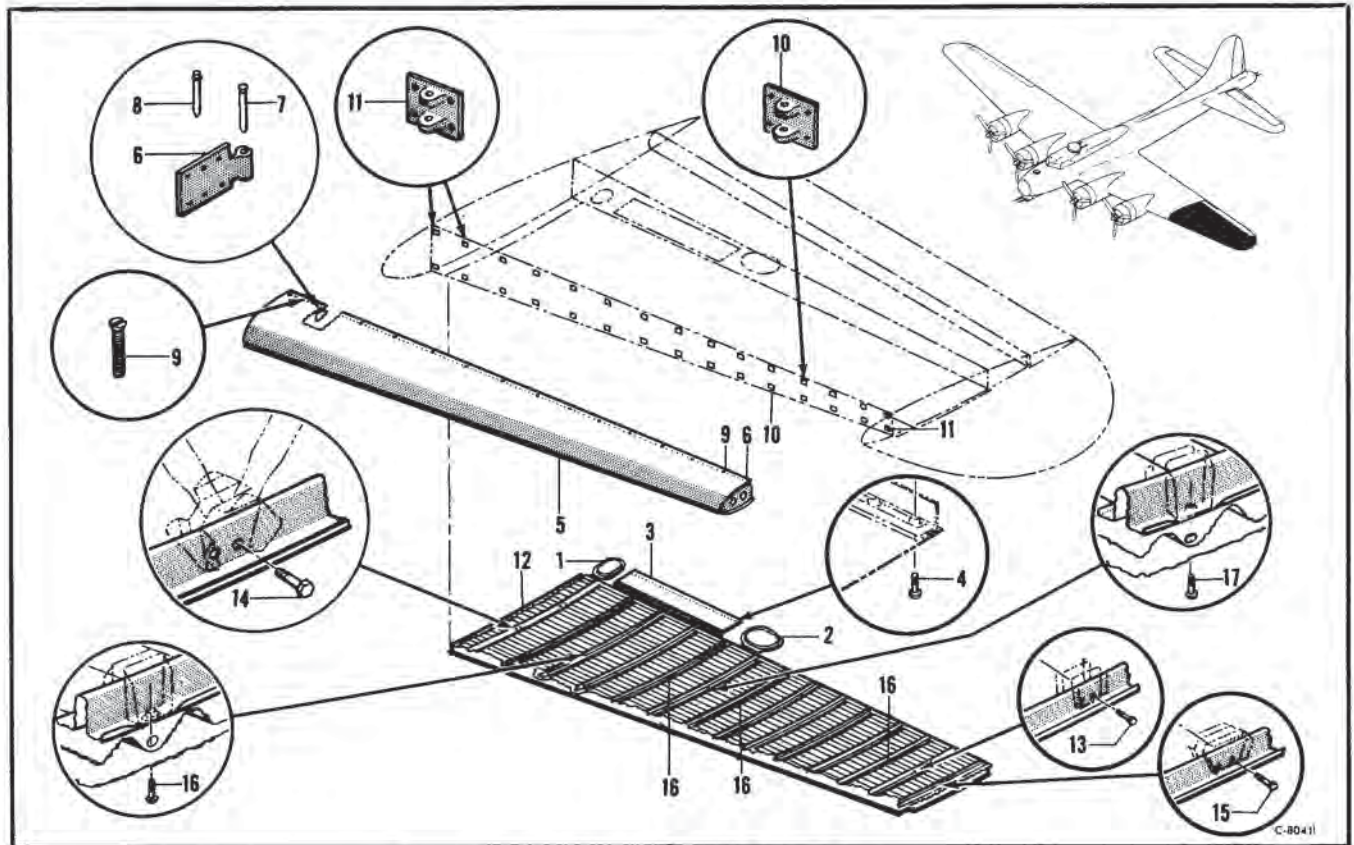


Figure 5—Outer Wing Panel Access Provisions

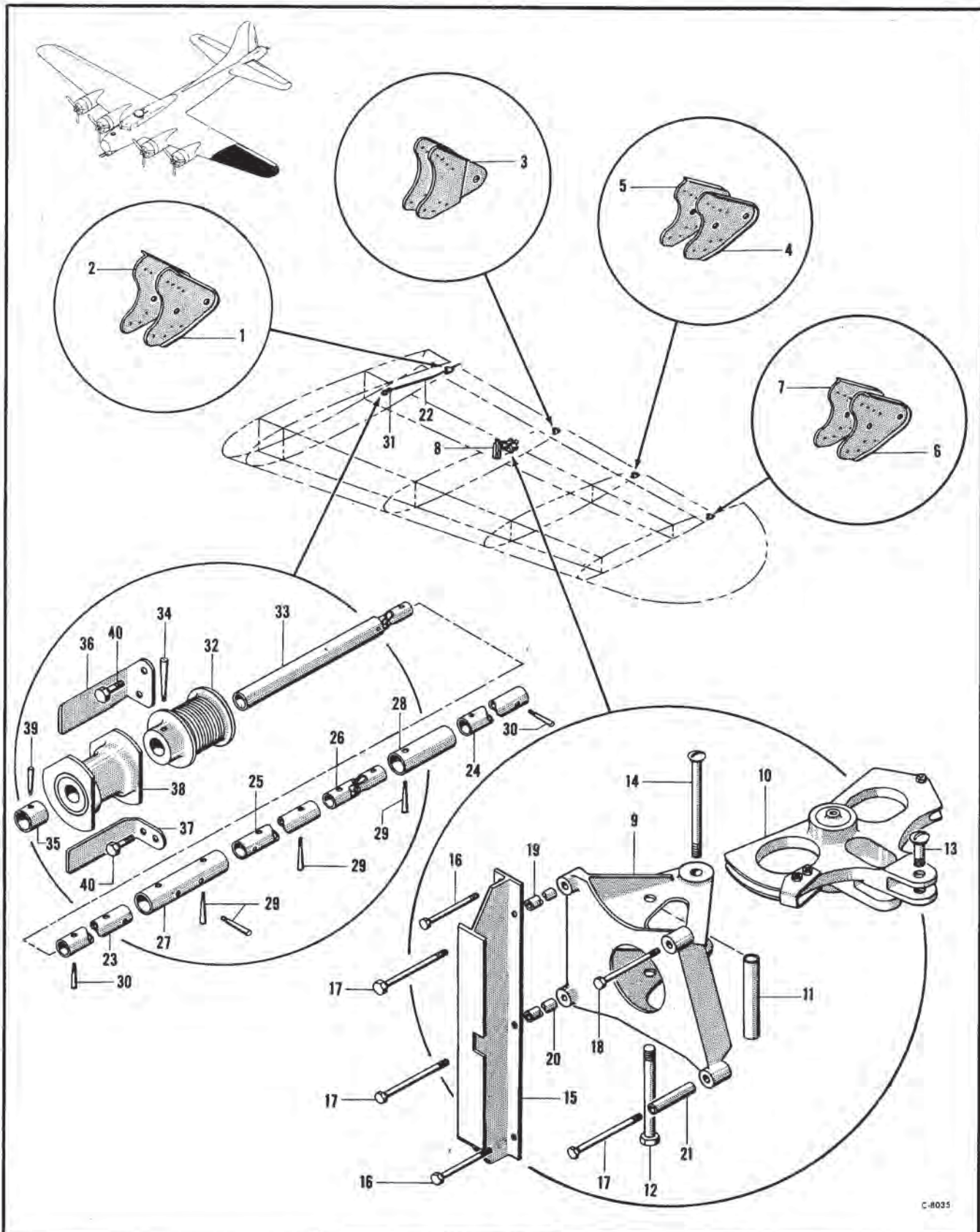
Outer Wing Panel Access Provisions

Figure & Index No.	Part Number	1	2	3	4	5	6	7	Nomenclature	Usage Code	Units Per Assy.
									Outer Wing Panel Access Provisions		
									Wing Assembly—Outer LH (see fig. 2)	All	Ref
									Wing Assembly—Outer RH (see fig. 2)	All	Ref
									Installation—Inspection door station 19A-20 LH	All	NP
									Installation—Inspection door station 19A-20 RH	All	NP
5-1	9-3599								Door Assembly—Inspection	DC	1
	6-8946								Door Assembly—Inspection	OO	1
	14-2053								Installation—Inspection door station 24-25 LH	All	NP
	14-2053-1								Installation—Inspection door station 24-25 RH	All	NP
2	6-9219								Door Assembly—Inspection	DC	1
	6-9219-10								Door Assembly—Inspection	OO	1
	15-10430								Installation—Fuel connections door	All	NP
	15-10430-1								Installation—Fuel connections door	All	NP
3	15-10430-2								Door Assembly—Inspection LH	All	1
	15-10430-3								Door Assembly—Inspection RH	All	1
4	BAC1470-10-8S								Screw—Button head recessed	All	52
	AN960D10L								Washer—Plain	All	52
	15-7475								Installation—Nose stations 19A-33 LH	All	NP
	15-7475-1								Installation—Nose stations 19A-33 RH	All	NP
5	15-7475-2								Nose Assembly—LH	All	1
	15-7475-11								Nose Assembly—RH	All	1
6	1-18112								Terminal—Nose rib	All	30
7	21-5743								Pin—Nose rib	J	30
8	3-24415								Pin Assembly—Nose rib	OF	30
9	AN510-10R8								Screw—Flat head	All	326
	64-1424-531								Spar Assembly—Wing outboard front LH (see fig. 3)	All	Ref
	64-1424-532								Spar Assembly—Wing outboard front RH (see fig. 3)	All	Ref
10	21-5566								Clip—Wing rib stations 20-32	All	26
11	21-5566-1								Clip—Wing rib stations 19A and 33	All	4
	65-4774								Installation—Panel stations 19-33 lower LH	All	NP
	65-4774-1								Installation—Panel stations 19-33 lower RH	All	NP
12	65-4774-553								Panel Assembly—LH	All	1
	65-4774-554								Panel Assembly—RH	All	1
13	NAS54A7-5DD								Bolt—Close tolerance	All	2
14	NAS54A10-5DD								Bolt—Close tolerance	All	8
15	NAS54A13-5DD								Bolt—Close tolerance	All	2
	AN365D428								Nut—Self-locking	All	12
	AN960D416								Washer—Plain	All	12
16	BAC1470-10-8S								Screw—Button head	All	24
17	BAC1470-10-10S								Screw—Button head	All	2
	AN960D10								Washer—Plain	All	26

Section I I
Group Assembly Parts List

AN 01-20EG-4

WING



C-8035

AN 01-20EG-4

WING

Outer Wing Panel Aileron Provisions

Figure & Index No.	Part Number	1 2 3 4 5 6 7	Nomenclature	Usage Code	Units Per Assy.
			Outer Wing Panel Aileron Provisions		
	85-4772-700		Wing Assembly—Outer LH (see fig. 2)	All	Ref
	85-4772-701		Wing Assembly—Outer RH (see fig. 2)	All	Ref
	94-1128-419		Installation—Station 20 rib (LH)	All	NP
	94-1128-420		Installation—Station 20 rib (RH)	All	NP
	94-1128-422		Rib Assembly—Tail LH	All	1
	94-1128-421		Rib Assembly—Tail RH	All	1
6-1	21-5833		Bracket—LH	T	1
	21-5833-1		Bracket—RH	T	1
2	21-5834		Bracket—LH	T	1
	21-5834-1		Bracket—RH	T	1
	21-5833-2		Bracket—LH	NG	1
	21-5833-3		Bracket—RH	NG	1
	21-5834-2		Bracket—LH	NG	1
	21-5834-3		Bracket—RH	NG	1
	68-763-419		Installation—Station 25 rib (LH)	All	NP
	68-763-420		Installation—Station 25 rib (RH)	All	NP
	68-763-422		Rib Assembly—Tail LH	All	1
	68-763-421		Rib Assembly—Tail RH	All	1
3	61-5837		Bracket—LH	T	1
	61-5837-1		Bracket—RH	T	1
	3-23080		Bracket Assembly—LH	NG	1
	3-23080-1		Bracket Assembly—RH	NG	1
	68-767-16		Installation—Station 29 compression rib (LH)	All	NP
	68-767-17		Installation—Station 29 compression rib (RH)	All	NP
	68-767-18		Rib Assembly—Tail LH	All	1
	68-767-19		Rib Assembly—Tail RH	All	1
4	21-5835		Bracket (LH)	T	1
	21-5835-1		Bracket (RH)	T	1
5	21-5836		Bracket (LH)	T	1
	21-5836-1		Bracket (RH)	T	1
	21-5835-2		Bracket (LH)	NG	1
	21-5835-3		Bracket (RH)	NG	1
	21-5836-2		Bracket (LH)	NG	1
	21-5836-3		Bracket (RH)	NG	1
	68-771-16		Installation—Station 33 compression rib (LH)	All	NP
	68-771-17		Installation—Station 33 compression rib (RH)	All	NP
	68-771-18		Rib Assembly—Tail LH	All	1
	68-771-19		Rib Assembly—Tail RH	All	1
6	21-5835		Bracket (LH)	T	1
	21-5835-1		Bracket (RH)	T	1
7	21-5836		Bracket (LH)	T	1
	21-5836-1		Bracket (RH)	T	1
	21-5835-2		Bracket (LH)	NG	1
	21-5835-3		Bracket (RH)	NG	1
	21-5836-2		Bracket (LH)	NG	1
	21-5836-3		Bracket (RH)	NG	1
8	55-6341		Installation—Aileron control (LH)	All	NP
	55-6341-1		Installation—Aileron control (RH)	All	NP
	55-6341-400		Control Assembly—LH	All	1
	55-6341-401		Control Assembly—RH	All	1
9	6-8365		Support—Aileron control (LH)	All	1
	6-8365-1		Support—Aileron control (RH)	All	1
10	8-1262-2		Quadrant Assembly—Aileron control (LH)	All	1
	8-1262-3		Quadrant Assembly—Aileron control (RH)	All	1
11	55-6341-8		Spacer	All	1
12	AN6-41A		Bolt—Aircraft	All	1
	AN365-624		Nut—Self-locking	All	1
13	AN25-21		Bolt—Clevis	All	1
14	AN25-66		Bolt—Clevis	All	1
	AN320-5		Nut—Aircraft shear	All	2
	AN960-516		Washer—Plain	All	1
15	55-6341-402		Reinforcement—LH	All	1
	55-6341-403		Reinforcement—RH	All	1
16	AN3-25A		Bolt—Aircraft	All	3
17	AN3-34A		Bolt—Aircraft	All	3
18	NAS53A34-5		Bolt—Close tolerance	All	1
	AN365-1032		Nut—Self-locking	All	7
	AN960-10		Washer—Plain	All	2
19	BAC1603-133		Spacer	All	1
20	BAC1603-136		Spacer	All	1
21	BAC1603-137		Spacer	All	1
22	65-3584		Installation—Aileron tab control (LH wing only)	All	NP
	65-3584-501		Tube Assembly—Aileron tab control	All	1
23	65-3584-500		Tube—Forward	All	1
24	65-3584-2		Tube—Aft	All	1
25	65-3584-3		Tube—Center	All	1
26	AN270B10		Joint—Aircraft universal	All	1
27	65-3584-7		Sleeve—Forward	All	1
28	65-3584-4		Sleeve—Aft	All	1
29	AN386-1-6A		Pin—Threaded taper	All	6
	AN364-1032		Nut—Thin self-locking	All	6
	AN975-3		Washer—Taper pin	All	6
30	AN386-1-6A		Pin—Threaded taper	All	2
	AN364-1032		Nut—Thin self-locking	All	2
	AN975-3		Washer—Taper pin	All	2
	64-1425		Spar Assembly—Wing outboard rear	All	1
31	7-1531-31		Installation—Aileron tab control drum	All	NP
	75-1531-5		Drum Assembly	All	1
32	1-18494		Drum	All	1
33	1-18580		Shaft Assembly—Drum support	All	1
34	AN386-2-12		Pin—Threaded taper	All	1
	AN320-3		Nut—Aircraft shear	All	1
	AN975-3		Washer—Taper pin	All	1
35	7-1531-1		Collar	All	1
36	75-1531-3		Guard	All	1
37	75-1531-4		Guard	All	1
38	51-247		Retainer Assembly—Ball bearing	All	1
39	AN386-1-7		Pin—Threaded taper	All	1
	AN320-3		Nut—Aircraft shear	All	1
	AN975-3		Washer—Taper pin	All	1
40	AN3-4A		Bolt—Aircraft	All	4
	AN365-1032		Nut—Self-locking	All	4

Section 11
Group Assembly Parts List

AN 01-20EG-4

WING

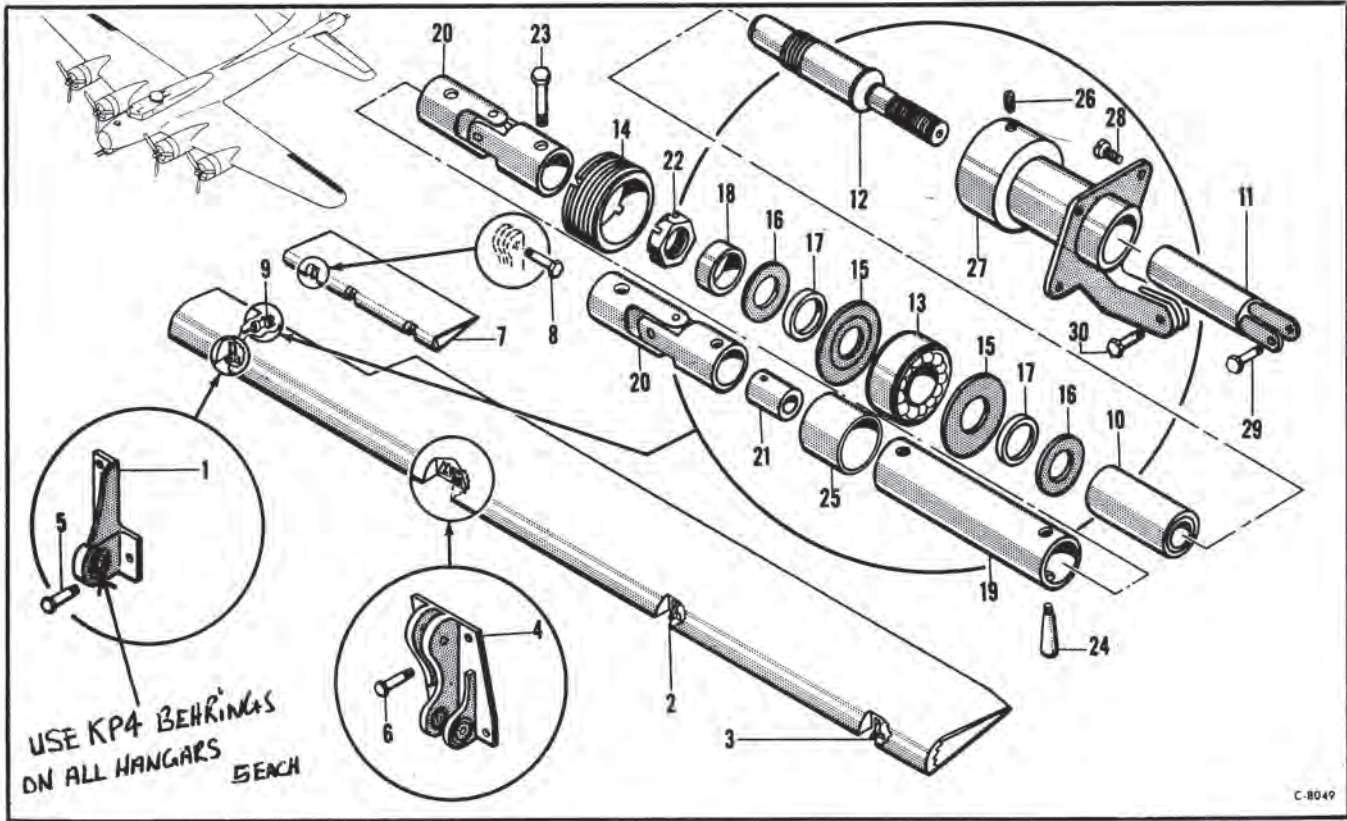


Figure 7—Fabric Covered Aileron Assembly LH

Fabric Covered Aileron Assembly LH

Figure & Index No.	Part Number	1	2	3	4	5	6	7	Nomenclature	Usage Code	Units Per Assy.
	58-784								Aileron Assembly—Fabric covered LH (see fig. 2)	All	Ref
	58-784-1								Aileron Assembly—Fabric covered RH (see fig. 2)	All	Ref
7-1	3-6481								Hinge Assembly—Aileron	All	1
2	3-6481-2								Hinge Assembly—Aileron	All	1
3	3-6481-4								Hinge Assembly—Aileron	All	1
4	3-11866								Mast Assembly—Aileron LH	All	1
5	3-11866-1								Mast Assembly—Aileron RH	All	1
6	AN4-7A								Bolt—Aircraft	All	12
	AN4-10A								Bolt—Aircraft	All	4
	AN365-428								Nut—Self-locking	All	16
	AN960-416								Washer—Plain	All	12
7	8-787-6								Tab Assembly—Trim (LH aileron only)	N	1
	8-787-9								Tab Assembly—Trim (LH aileron only)	WF	1
8	AN3-6								Bolt—Aircraft	All	2
	AN310-3								Nut—Aircraft castle	All	2
9	7-1536								Control Assembly—Aileron trim tab (LH aileron only)	All	1
10	1-18703								Sleeve Assembly—Grease retainer	All	1
11	1-18898								Nut Assembly—Aileron trim tab	All	1
12	1-18129								Screw—Aileron trim tab	All	1
13	1203								Bearing (SKF)	All	1
14	1-18935								Plug—Aileron trim tab	All	1
15	21-7312-5								Washer—Bearing retainer	All	2
16	21-7312-6								Washer—Bearing retainer	All	2
17	21-2366-58-44								Washer—Steel	All	2
18	7-1536-5								Spacer	All	1
19	7-1536-1								Tube	All	1
20	AN270B10								Joint—Light duty aircraft universal	All	2
21	7-1536-3								Filler	All	1
22	AN320-10								Nut—Aircraft shear	All	1
23	NAS53A10-5S								Bolt—Close tolerance	All	1
	AN365-1032								Nut—Self-locking	All	1
	AN960-10								Washer—Plain	All	1
24	AN386-1-6A								Pin—Threaded taper	All	1
	AN364-1032								Nut—Self-locking	All	1
	AN975-3								Washer—Taper pin	All	1
25	7-1536-2								Sleeve	All	1
26	AN565A8-4								Screw—Headless set machine	All	1
27	6-9440								Flange—Screw support	All	1
28	AN502-10-12								Screw—Drilled fillister head machine	All	4
29	NAS53-7-5								Bolt—Close tolerance	All	1
30	NAS53-10								Bolt—Close tolerance	All	1
	AN310-3								Nut—Aircraft castle	All	2

WING

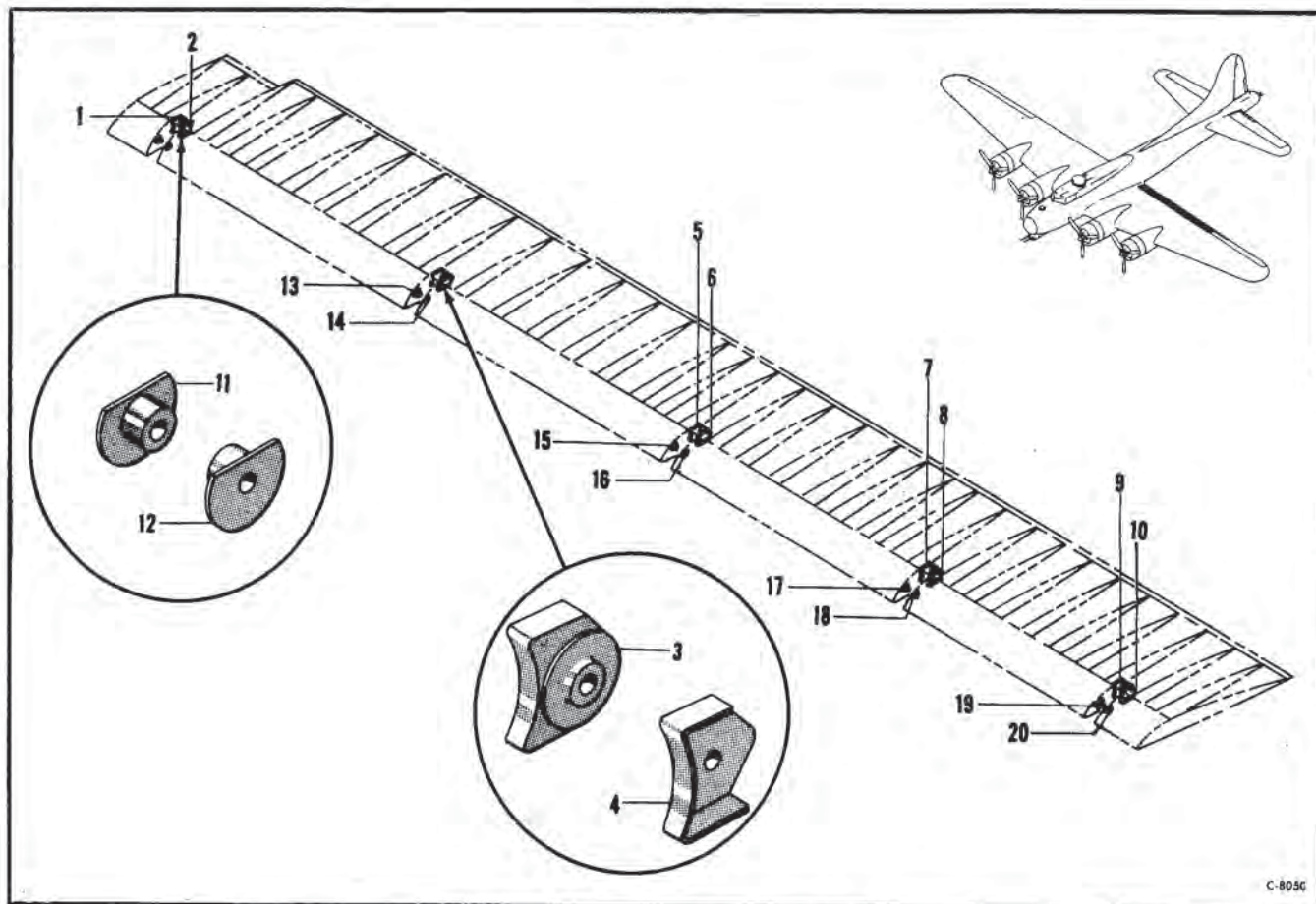
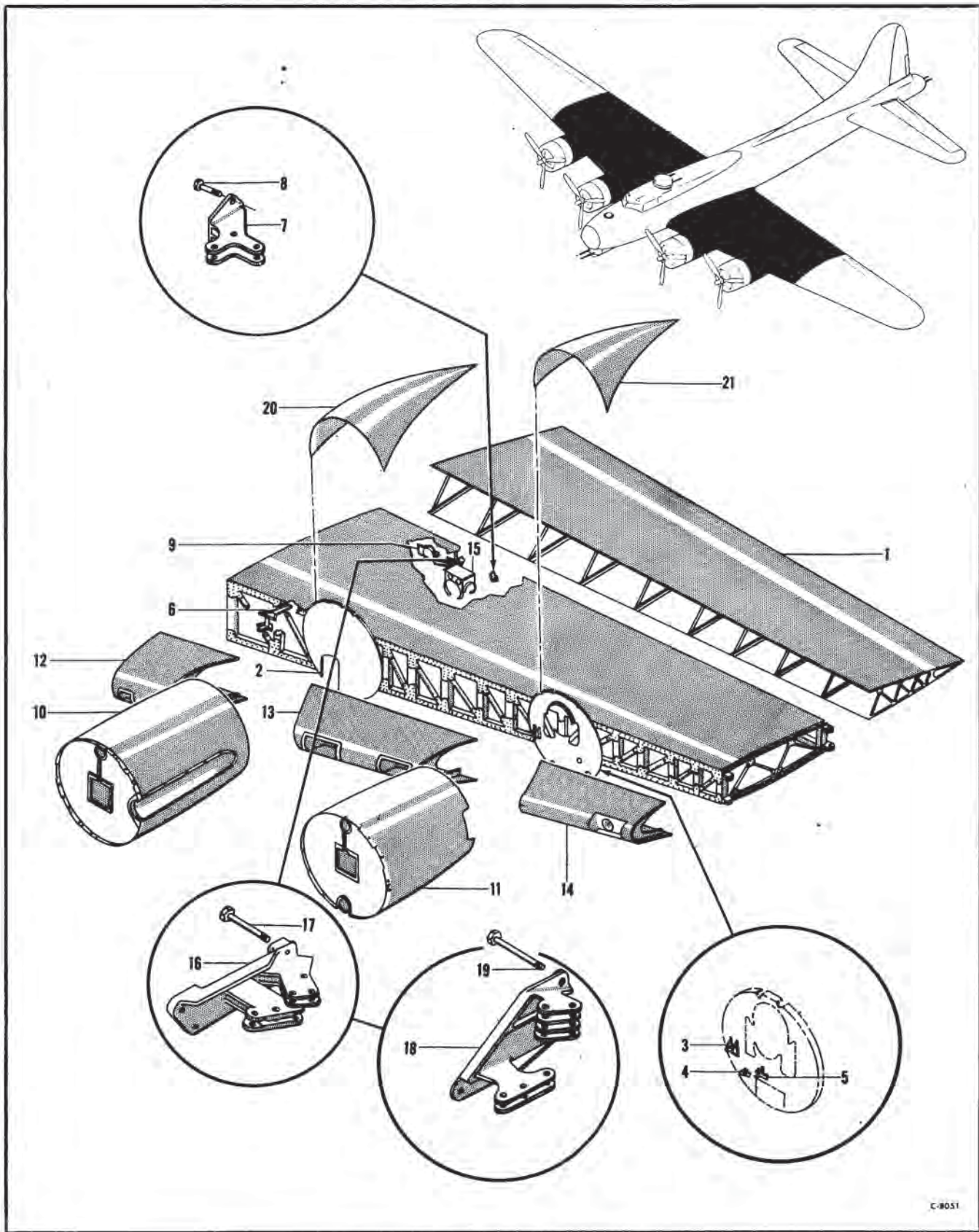


Figure 8—Wing Flap Assembly

Wing Flap Assembly

Figure & Index No.	Part Number	1	2	3	4	5	6	7	Nomenclature	Usage Code	Units Per Assy.
	75-5127-617								Flap Assembly—Wing (LH) (see fig. 2)	All	Ref
	75-5127-618								Flap Assembly—Wing (RH) (see fig. 2)	All	Ref
8-1	41-6109								Hinge Assembly—Flap	All	1
2	41-6109-1								Hinge Assembly—Flap	All	1
3	41-6109-2								Hinge Assembly—Flap	All	1
4	41-6109-3								Hinge Assembly—Flap	All	1
5	41-6109-4								Hinge Assembly—Flap	All	1
6	41-6109-5								Hinge Assembly—Flap	All	1
7	41-6109-6								Hinge Assembly—Flap	All	1
8	41-6109-7								Hinge Assembly—Flap	All	1
9	41-6109-8								Hinge Assembly—Flap	All	1
10	41-6109-9								Hinge Assembly—Flap	All	1
	53-6667								Rib Assembly—Flap hinge LH	All	1
11	21-6264-9								Bushing—Flap hinge	All	1
	53-6667-1								Rib Assembly—Flap hinge RH	All	1
12	21-6264-9								Bushing—Flap hinge	All	1
	53-6667-2								Rib Assembly—Flap hinge LH	All	1
13	21-6264-9								Bushing—Flap hinge	All	1
	53-6667-3								Rib Assembly—Flap hinge RH	All	1
14	21-6264-9								Bushing—Flap hinge	All	1
	53-6667-4								Rib Assembly—Flap hinge LH	All	1
15	21-6264-9								Bushing—Flap hinge	All	1
	53-6667-5								Rib Assembly—Flap hinge RH	All	1
16	21-6264-9								Bushing—Flap hinge	All	1
	53-6667-6								Rib Assembly—Flap hinge LH	All	1
17	21-6264-9								Bushing—Flap hinge	All	1
	53-6667-7								Rib Assembly—Flap hinge RH	All	1
18	21-6264-9								Bushing—Flap hinge	All	1
	53-6667-8								Rib Assembly—Flap hinge LH	All	1
19	21-6264-9								Bushing—Flap hinge	All	1
	53-6667-9								Rib Assembly—Flap hinge RH	All	1
20	21-6264-9								Bushing—Flap hinge	All	1

WING



C-8051

Figure 9—Inner Wing Assembly

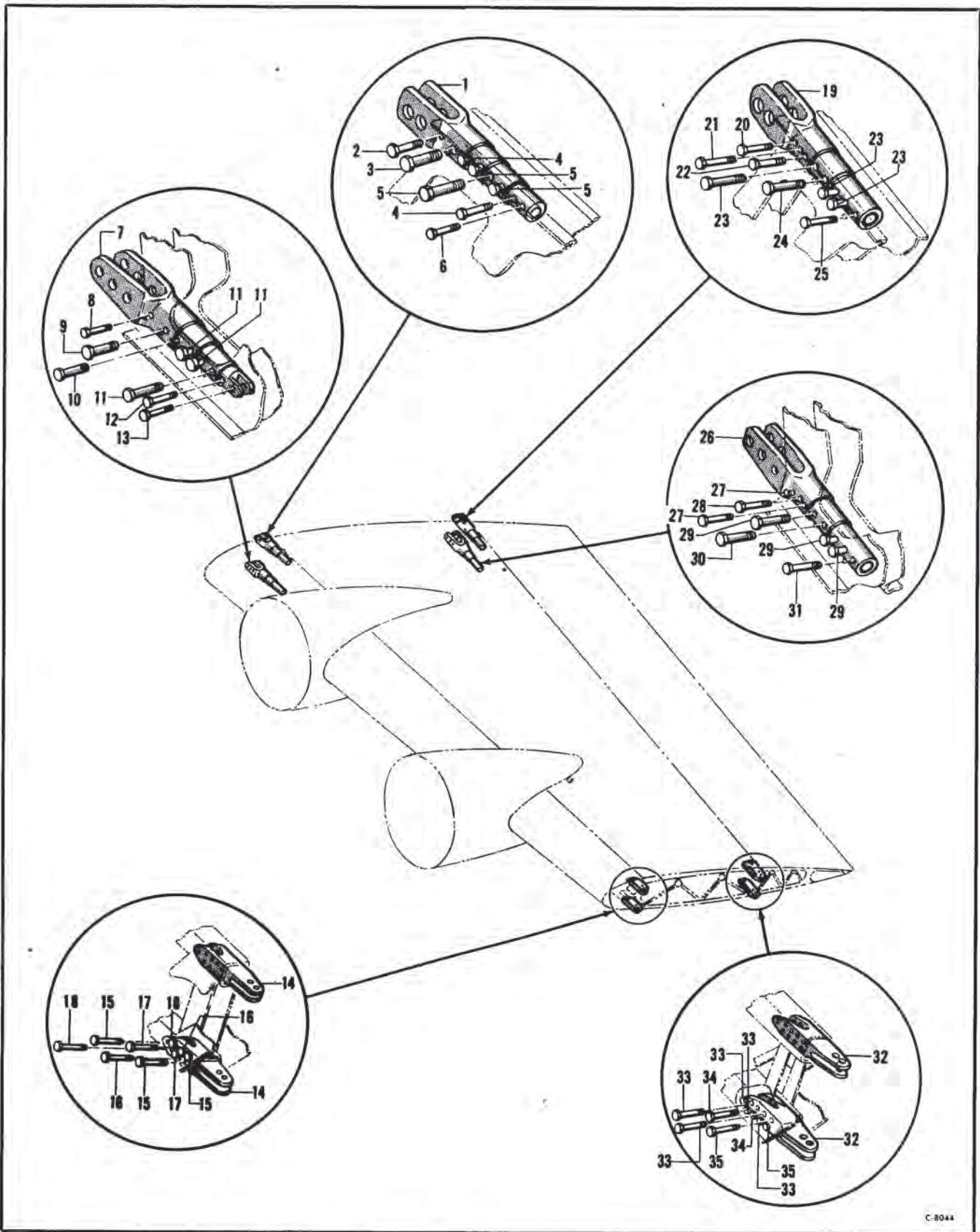
AN 01-20EG-4

WING

Inner Wing Assembly

Figure & Index No.	Part Number	1	2	3	4	5	6	7	Nomenclature	Usage Code	Units Per Assy.
	15-7975-81								Wing Assembly—Inner (LH) (see fig. 2)	QB	Ref
	15-7975-122								Wing Assembly—Inner (LH) (see fig. 2)	XM	Ref
	15-7975-82								Wing Assembly—Inner (RH) (see fig. 2)	QB	Ref
	15-7975-123								Wing Assembly—Inner (RH) (see fig. 2)	XM	Ref
9-1	15-7975-167								Trailing Edge Assembly (LH) (see fig. 12)	All	1
	15-7975-168								Trailing Edge Assembly (RH) (see fig. 12)	All	1
	78-581-744								Spar Assembly—Wing front inner (LH) (see fig. 10)	All	1
	78-581-745								Spar Assembly—Wing front inner (RH) (see fig. 10)	All	1
2	74-1607								Bulkhead Assembly—Outboard nacelle (LH)	All	1
	74-1607-1								Bulkhead Assembly—Outboard nacelle (RH)	All	1
3	9-3729								Installation—Supercharger control bracket (LH) (see fig. 40)	E	NP
	9-3729-1								Installation—Supercharger control bracket (RH) (see fig. 40)	E	NP
4	46-8013								Installation—Supercharger control bracket (LH) (see fig. 39)	E	NP
	46-8014								Installation—Supercharger control bracket (RH) (see fig. 40)	E	NP
5	6-8375								Installation—Supercharger control bracket (LH) (see fig. 39)	E	NP
	6-8376								Installation—Supercharger control bracket (RH) (see fig. 40)	E	NP
6	15-6343								Installation—Intercooler temperature control bracket (LH) (see fig. 37)	All	NP
	15-6343-1								Installation—Intercooler temperature control bracket (RH) (see fig. 37)	All	NP
	78-582-742								Spar Assembly—Wing rear inner (see fig. 10)	All	1
	78-582-743								Spar Assembly—Wing rear inner (see fig. 10)	All	1
	6-15544								Installation—Heat control bracket (LH)	XM	NP
	6-15544-1								Bracket Assembly	All	1
7	9-7288								Bracket—Cabin heat control	All	1
8	AN3-32A								Bolt—Aircraft	All	2
	AN365-1032								Nut—Self-locking	All	2
9	15-12965								Installation—Cabin heat control bracket (LH) (see fig. 56)	XM	NP
	15-12965-1								Installation—Cabin heat control bracket (RH) (see fig. 56)	XM	NP
10	85-4805								Installation—Inboard nacelle (LH) (see fig. 13 and 16)	All	NP
	85-4805-1								Installation—Inboard nacelle (RH) (see fig. 13 and 16)	All	NP
11	85-4806								Installation—Outboard nacelle (LH) (see fig. 15)	All	NP
	85-4806-1								Installation—Outboard nacelle (RH) (see fig. 15)	All	NP
12	74-1831								Installation—Wing nose station 1-3 (LH) (see fig. 11)	All	NP
	74-1831-1								Installation—Wing nose station 1-3 (RH) (see fig. 11)	All	NP
13	55-7483								Installation—Wing nose station 7-11 (LH) (see fig. 11)	All	NP
	55-7483-1								Installation—Wing nose station 7-11 (RH) (see fig. 11)	All	NP
14	15-7476-6F								Installation—Wing nose station 15-19 (LH) (see fig. 11)	All	NP
	15-7476-65								Installation—Wing nose station 15-19 (RH) (see fig. 11)	All	NP
15	15-6623								Installation—Supercharger oil tank cradle (LH) (see fig. 38)	All	NP
	15-6623-1								Installation—Supercharger oil tank cradle (RH) (see fig. 38)	All	NP
	9-7298								Installation—Cabin heat control bracket (LH)	XM	NP
	9-7298-1								Bracket Assembly	All	1
16	9-7289								Bracket—Cabin heat control	All	1
17	AN3-34A								Bolt—Aircraft	All	3
	AN365-1032								Nut—Self-locking	All	3
	9-7257								Installation—Cabin heat control bracket (RH)	XM	NP
	9-7257-1								Bracket Assembly	All	1
18	14-3670								Bracket—Cabin heat control	All	1
19	AN3-32A								Bolt—Aircraft	All	3
	AN365-1032								Nut—Self-locking	All	3
	15-6333								Installation—Inboard nacelle upper fairing (LH)	All	NP
	15-6333-1								Installation—Inboard nacelle upper fairing (RH)	All	NP
20	15-6333-31								Fairing Assembly (LH)	All	1
	15-6333-32								Fairing Assembly (RH)	All	1
	55-5982								Installation—Outboard nacelle fairing (LH)	All	NP
	55-5982-1								Installation—Outboard nacelle fairing (RH)	All	NP
21	55-5982-427								Fairing Assembly (LH)	All	1
	55-5982-428								Fairing Assembly (RH)	All	1

WING



C-8044

Figure 10—Inner Wing Attaching Terminals

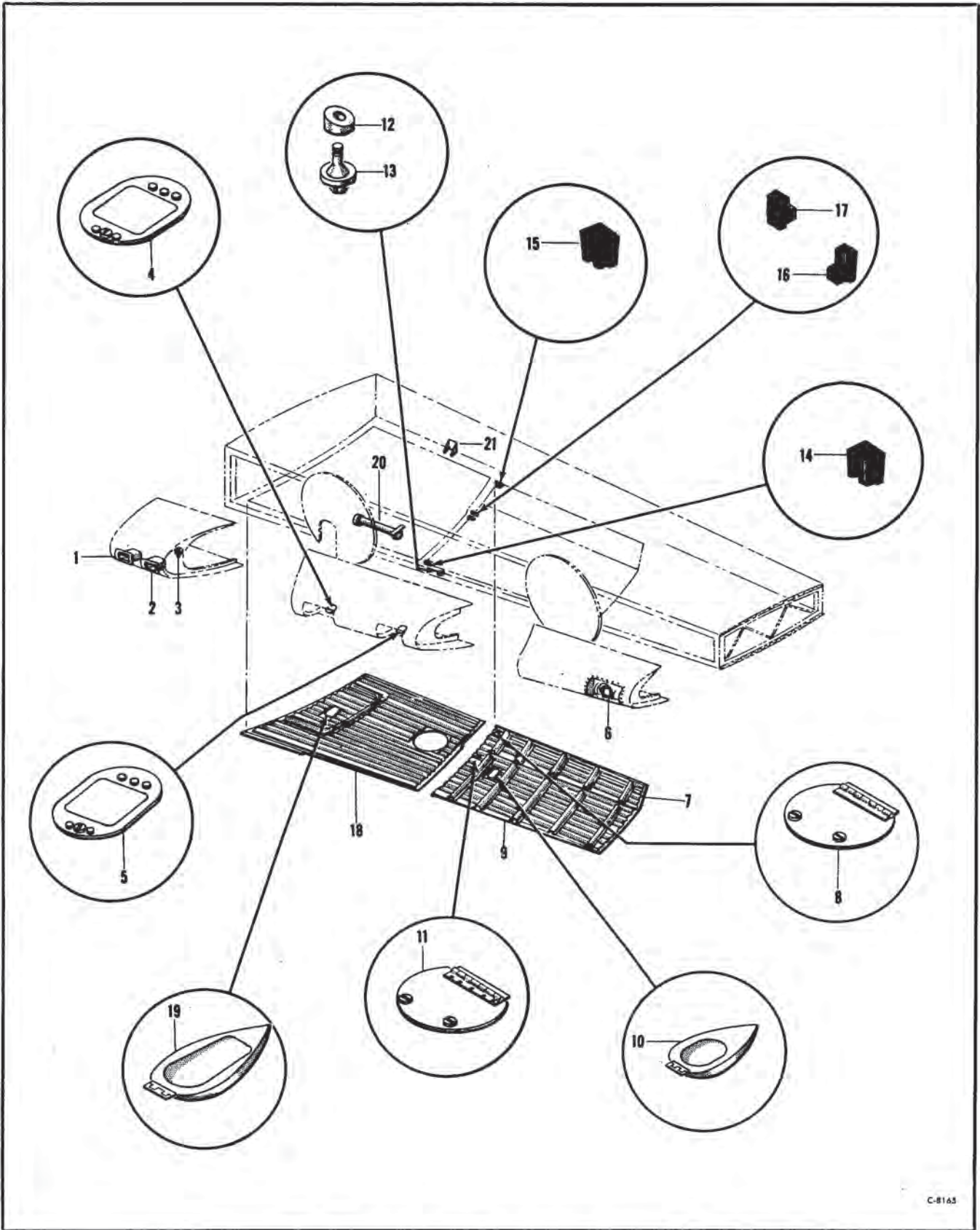
AN 01-20EG-4

WING

Inner Wing Attaching Terminals

Figure & Index No.	Part Number	1	2	3	4	5	6	7	Nomenclature	Usage Code	Units Per Assy.	
		Inner Wing Attaching Terminals.....										
	78-581-744	Spar Assembly—Wing front inner LH (see fig. 9).....							All	Ref		
	78-581-745	Spar Assembly—Wing front inner RH (see fig. 9).....							All	Ref		
	75-4781	Joint Assembly—Wing spar front 1, 2, 3 upper LH.....							All	1		
	75-4781-1	Joint Assembly—Wing spar front 1, 2, 3 upper RH.....							All	1		
10-1	66-5531	Terminal—Upper LH.....							All	1		
	66-5531-1	Terminal—Upper RH.....							All	1		
2	NAS56A36	Bolt—Close tolerance.....							All	1		
3	NAS62-44-5	Bolt—Close tolerance.....							All	1		
4	BAC221-10-54	Bolt—Close tolerance.....							All	2		
5	BAC221-12-55	Bolt—Close tolerance.....							All	3		
6	NAS58A35-5	Bolt—Close tolerance.....							All	1		
	65-4782-512	Joint Assembly—Wing spar front 1, 2, 3 lower LH.....							All	1		
	65-4782-513	Joint Assembly—Wing spar front 1, 2, 3 lower RH.....							All	1		
7	66-5532	Terminal—Lower LH.....							All	1		
	66-5532-1	Terminal—Lower RH.....							All	1		
8	NAS56A36	Bolt—Close tolerance.....							All	1		
9	NAS60A43	Bolt—Close tolerance.....							All	1		
10	BAC221-10-54	Bolt—Close tolerance.....							All	1		
11	BAC221-12-55	Bolt—Close tolerance.....							All	3		
12	NAS58A35-5	Bolt—Close tolerance.....							All	1		
13	NAS56A34	Bolt—Close tolerance.....							All	1		
	74-1433-601	Joint Assembly—Wing spar front 18 and 19 LH.....							All	1		
	74-1433-602	Joint Assembly—Wing spar front 18 and 19 RH.....							All	1		
14	3-11720-1	Terminal—Upper and lower.....							All	2		
15	NAS55A32-5DD	Bolt—Close tolerance.....							All	6		
16	NAS55-33-5DD	Bolt—Close tolerance.....							All	4		
17	NAS54-34	Bolt—Close tolerance.....							All	4		
18	NAS54A32-5	Bolt—Close tolerance.....							All	4		
	78-582-742	Spar Assembly—Wing rear inner LH (see fig. 9).....							All	Ref		
	78-582-743	Spar Assembly—Wing rear inner RH (see fig. 9).....							All	Ref		
	75-4783	Joint Assembly—Wing spar rear 1 and 2 upper LH.....							All	1		
	75-4783-1	Joint Assembly—Wing spar rear 1 and 2 upper RH.....							All	1		
19	66-5529	Terminal—Upper LH.....							All	1		
	66-5529-1	Terminal—Upper RH.....							All	1		
20	NAS56A34	Bolt—Close tolerance.....							All	1		
21	NAS57A41-5	Bolt—Close tolerance.....							All	1		
22	NAS57A40	Bolt—Close tolerance.....							All	1		
23	BAC221-10-54	Bolt—Close tolerance.....							All	3		
24	BAC221-12-55	Bolt—Close tolerance.....							All	1		
25	NAS58A35-5	Bolt—Close tolerance.....							All	1		
	75-4784	Joint Assembly—Wing spar rear 1, 2, 3 lower LH.....							All	1		
	75-4784-1	Joint Assembly—Wing spar rear 1, 2, 3 lower RH.....							All	1		
26	66-5530	Terminal—Lower LH.....							All	1		
	66-5530-1	Terminal—Lower RH.....							All	1		
27	NAS56A34	Bolt—Close tolerance.....							All	2		
28	NAS56A40-5	Bolt—Close tolerance.....							All	1		
29	BAC221-10-54	Bolt—Close tolerance.....							All	3		
30	BAC221-12-55	Bolt—Close tolerance.....							All	1		
31	NAS58A35-5	Bolt—Close tolerance.....							All	1		
	64-1434-508	Joint Assembly—Wing spar rear 18 and 19 LH.....							All	1		
	64-1434-509	Joint Assembly—Wing spar rear 18 and 19 RH.....							All	1		
32	3-11720	Terminal—Upper and lower.....							All	2		
33	NAS55A32-5DD	Bolt—Close tolerance.....							All	10		
34	NAS54A34	Bolt—Close tolerance.....							All	4		
35	NAS54A32-5	Bolt—Close tolerance.....							All	4		

WING



C-8163

Figure 11—Inner Wing Access Provisions

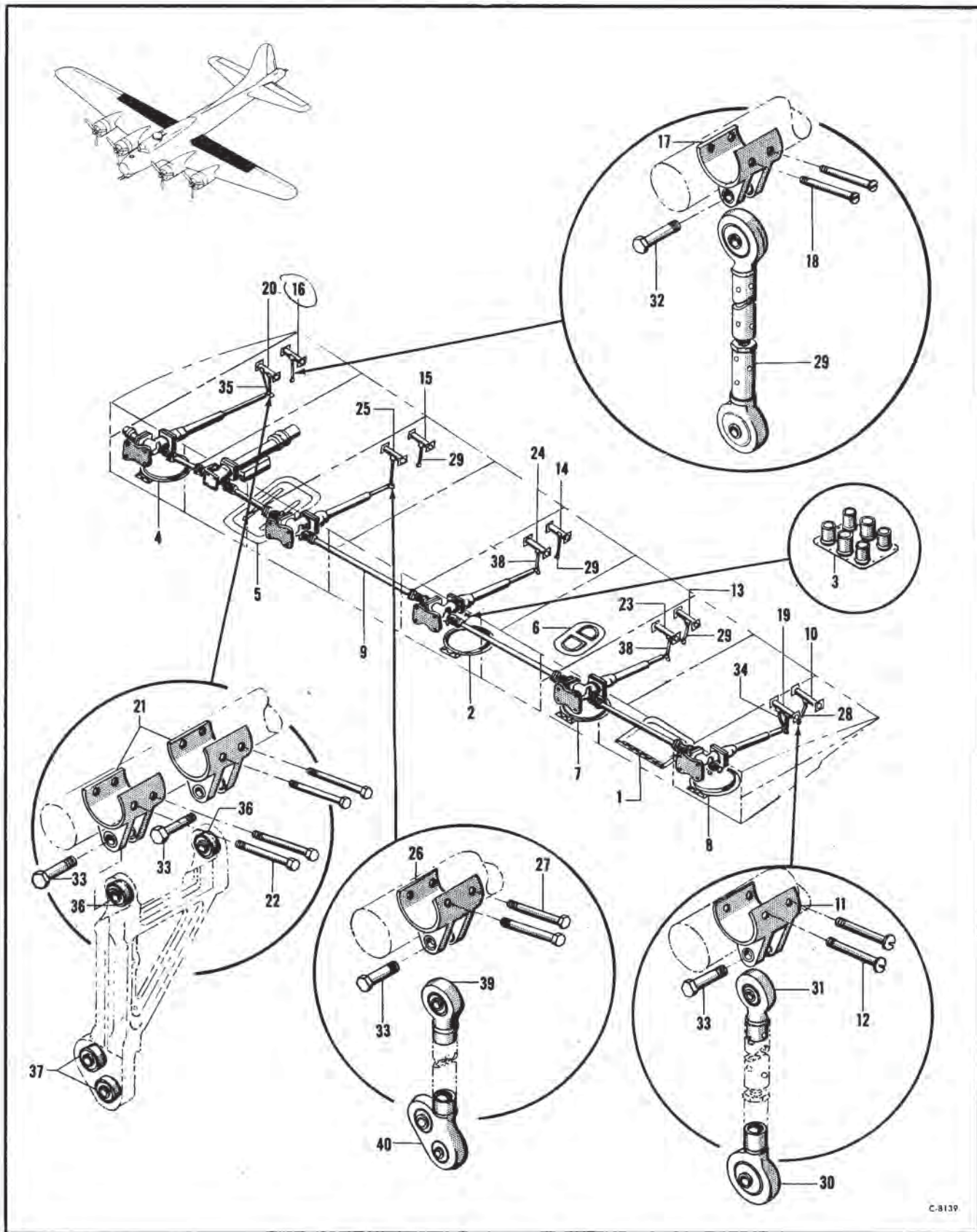
AN 01-20EG-4

WING

Inner Wing Access Provisions

Figure & Index No.	Part Number	1	2	3	4	5	6	7	Nomenclature	Usage Code	Units Per Assy.
									Inner Wing Access Provisions.....		
	15-7975-81								Wing Assembly—Inner (LH) (see fig. 2).....	QB	Ref
	15-7975-122								Wing Assembly—Inner (LH) (see fig. 2).....	XM	Ref
	15-7975-82								Wing Assembly—Inner (RH) (see fig. 2).....	QB	Ref
	15-7975-123								Wing Assembly—Inner (RH) (see fig. 2).....	XM	Ref
	74-1831								Installation—Wing nose station 1-3 (LH).....	All	NP
	74-1831-1								Installation—Wing nose station 1-3 (RH).....	All	NP
	74-1831-600								Nose Assembly (LH).....	QB	1
	74-1831-624								Nose Assembly (LH).....	XM	1
	74-1831-601								Nose Assembly (RH).....	QB	1
	74-1831-625								Nose Assembly (RH).....	XM	1
	64-1680								Installation—Carburetor and intercooler intake (LH).....	All	NP
	64-1680-1								Installation—Carburetor and intercooler intake (RH).....	All	NP
11-1	64-1680-500								Intake Assembly—Weld (LH).....	All	1
	64-1680-503								Intake Assembly—Weld (RH).....	All	1
2	64-1680-511								Intake Assembly (LH).....	QB	1
	64-1680-524								Intake Assembly (LH).....	XM	1
	64-1680-507								Intake Assembly (RH).....	QB	1
	64-1680-519								Intake Assembly (RH).....	XM	1
3	43-11344-400								Installation—Battery vent outlet (LH) (see fig. 47).....	All	NP
	43-11344-2								Installation—Battery vent outlet (RH) (see fig. 47).....	All	NP
	55-7483								Installation—Wing nose station 7-11 (LH).....	All	NP
	55-7483-1								Installation—Wing nose station 7-11 (RH).....	All	NP
	55-7483-400								Nose Assembly—Station 7-11 (LH).....	R	1
	55-7483-411								Nose Assembly—Station 7-11 (RH).....	BG	1
	55-7483-524								Nose Assembly—Station 7-11 (LH).....	DO	1
	55-7483-526								Nose Assembly—Station 7-11 (RH).....	AP	1
	55-7483-401								Nose Assembly—Station 7-11 (LH).....	R	1
	55-7483-412								Nose Assembly—Station 7-11 (RH).....	BG	1
	55-7483-525								Nose Assembly—Station 7-11 (LH).....	DO	1
	55-7483-527								Nose Assembly—Station 7-11 (RH).....	AP	1
4	15-7483-85								Door Assembly.....	All	1
5	15-7483-106								Door Assembly.....	All	1
	15-7476-64								Installation—Wing nose station 15-19 (LH).....	All	NP
	15-7476-65								Installation—Wing nose station 15-19 (RH).....	All	NP
	15-7476-66								Nose Assembly—Station 15-19 (LH).....	B	1
	15-7476-67								Nose Assembly—Station 15-19 (RH).....	B	1
	15-7476-80								Nose Assembly—Station 15-19 (LH).....	BE	1
	15-7476-81								Nose Assembly—Station 15-19 (RH).....	BE	1
6	55-7607-2								Installation—Landing and passing lamp (LH) (see fig. 44).....	All	NP
	55-7607-3								Installation—Landing and passing lamp (RH) (see fig. 44).....	All	NP
	75-4799								Installation—Fuel tank door station 7-11 (LH).....	All	NP
	75-4799-1								Installation—Fuel tank door station 7-11 (RH).....	All	NP
7	75-4799-600								Door Assembly (LH).....	HD	1
	75-4799-706								Door Assembly (RH).....	TQ	1
	75-4799-601								Door Assembly (LH).....	HD	1
	75-4799-707								Door Assembly (RH).....	TQ	1
	47-1309								Installation—Drain cock access door (LH).....	All	NP
	47-1309-1								Installation—Drain cock access door (RH).....	All	NP
8	6-9220								Door Assembly—Drain cock access.....	All	1
9	75-4799-602								Door Assembly (LH).....	All	1
	75-4799-708								Door Assembly (RH).....	All	1
	75-4799-603								Door Assembly (LH).....	All	1
	75-4799-709								Door Assembly (RH).....	All	1
	15-7784								Installation—Pump and drain access cover (LH).....	All	NP
	15-7784-1								Installation—Pump and drain access cover (RH).....	All	NP
10	15-7784-2								Cover Assembly.....	All	1
11	6-9220								Door Assembly—Drain cock access.....	VD	1
	6-18258								Door Assembly—Drain cock access.....	EP	1
	6-17091-2								Latch Assembly—Flush.....	All	1
	3-11738								Installation—Jacking cone (LH).....	All	NP
	3-11738-1								Installation—Jacking cone (RH).....	All	NP
12	41-9576								Collar—Jack cone.....	All	1
13	41-9656								Cone—Jacking.....	All	1
14	6-20786								Seal—Fuel wing station 7.....	TQ	1
15	6-20786-1								Seal—Fuel wing station 7.....	TQ	1
16	6-20786-2								Seal—Fuel wing station 7.....	TQ	1
17	6-20786-3								Seal—Fuel wing station 7.....	TQ	1
	95-4808-824								Installation—Wing panel station 1-6 lower (LH).....	All	NP
	95-4808-825								Installation—Wing panel station 1-6 lower (RH).....	All	NP
18	95-4808-600								Door Assembly (LH).....	All	1
	95-4808-601								Door Assembly (RH).....	All	1
	64-2054								Installation—Booster pump access cover (LH).....	All	NP
	64-2054-1								Installation—Booster pump access cover (RH).....	All	NP
19	64-2054-406								Cover Assembly.....	All	1
20	55-6249								Installation—Landing gear support (see fig. 18).....	All	NP
	55-6249-1								Installation—Landing gear support (see fig. 18).....	All	NP
21	65-6142								Installation—Supercharger control bracket (LH) (see fig. 41).....	E	NP
	65-6134								Installation—Supercharger control bracket (RH) (see fig. 42).....	E	NP

WING



C-8139

Figure 12—Trailing Edge Assembly

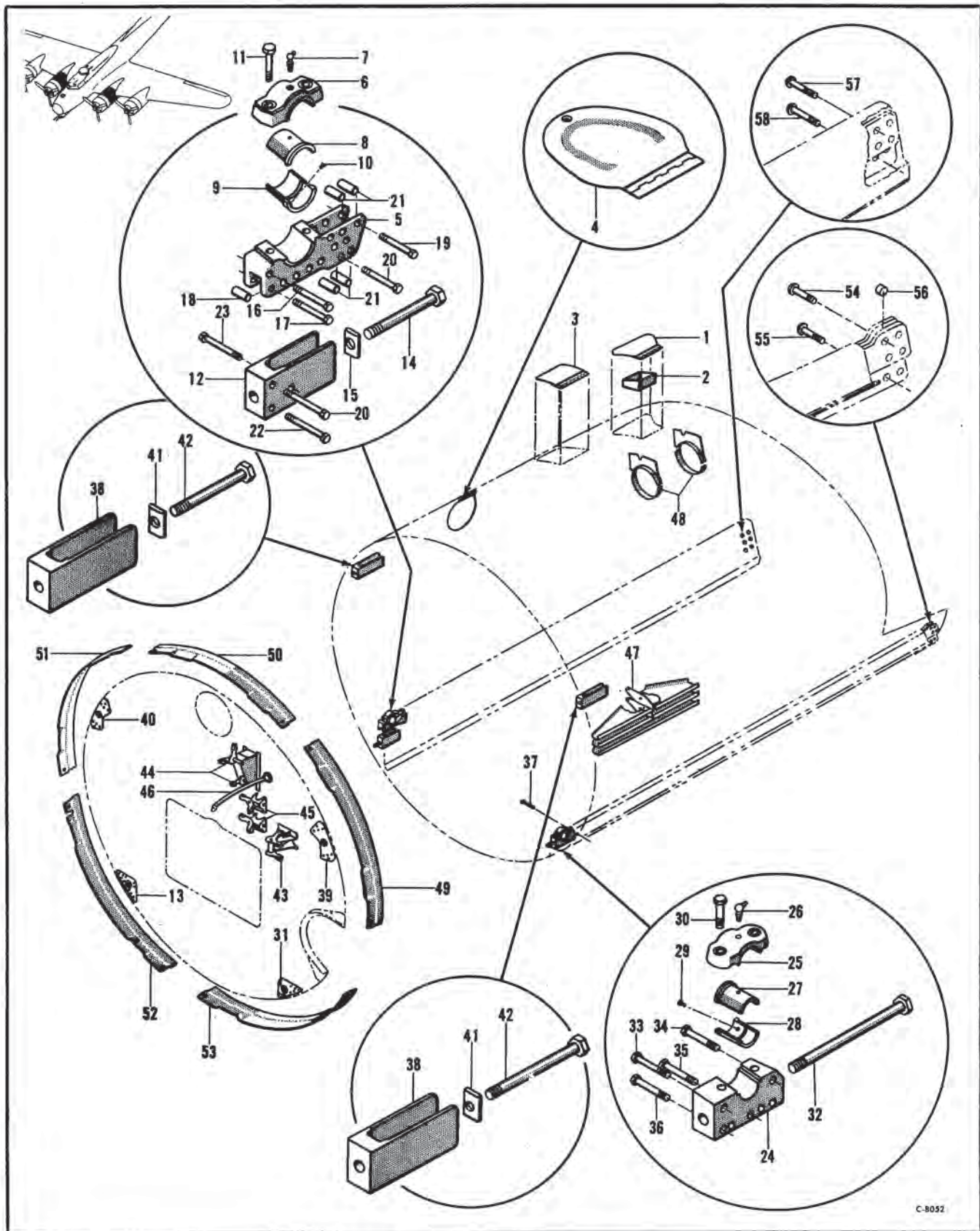
AN 01-20EG-4

WING

Trailing Edge Assembly

Figure & Index No.	Part Number	1 2 3 4 5 6 7	Nomenclature	Usage Code	Units Per Assy.
	15-7975-167		Trailing Edge Assembly (LH) (see fig. 9)	All	Ref
	15-7975-168		Trailing Edge Assembly (RH) (see fig. 9)	All	Ref
	9-5598		Installation—Fuel connection door LH	All	NP
12-1	9-5598-1		Installation—Fuel connection door RH	All	NP
	9-5598-2		Door Assembly—LH	All	1
	9-5598-3		Door Assembly—RH	All	1
	54-2049-2		Installation—Inspection door station 9 to 10 LH	All	NP
	54-2049-3		Installation—Inspection door station 9 to 10 RH	All	NP
2	6-9290		Door Assembly—Inspection	All	1
3	3-14249-4		Flange Assembly—Tank vents (LH)	SC	1
	6-12874-6		Flange Assembly—Tank vents (LH)	VP	1
	3-14249-5		Flange Assembly—Tank vents (RH)	SC	1
	6-12874-7		Flange Assembly—Tank vents (RH)	VP	1
	14-2045		Installation—Inspection door station 1 to 2 (LH)	All	NP
	14-2045-1		Installation—Inspection door station 1 to 2 (RH)	All	NP
4	6-9290		Door Assembly—Inspection	All	1
	74-1337		Installation—Door station 4 to 5 wing LH	All	NP
	74-1337-1		Installation—Door station 4 to 5 wing RH	All	NP
5	14-1337-4		Door Assembly	All	NP
	15-10439		Installation—Remote compass door (LH only)	All	NP
6	8-2548-1		Door Assembly—Remote compass	All	1
	54-2059		Installation—Inspection door station 13 to 14 (LH)	All	NP
	54-2059-1		Installation—Inspection door station 13 to 14 (RH)	All	NP
7	6-9290		Door Assembly—Inspection	All	1
	54-2058		Installation—Inspection door station 17 to 18 LH	All	NP
	54-2058-1		Installation—Inspection door station 17 to 18 RH	All	NP
8	6-9290		Door Assembly—Inspection	All	1
9	55-5442		Installation—Wing flap control (LH) (see fig. 20)	All	NP
	55-5442-1		Installation—Wing flap control (RH) (see fig. 20)	All	NP
	64-1490		Installation—Flap support (LH)	All	NP
	64-1490-1		Installation—Flap support (RH)	All	NP
10	64-1490-411		Tube Assembly (station 17 to 18 rear LH)	All	1
	64-1490-412		Tube Assembly (station 17 to 18 rear RH)	All	1
11	1-17351-1		Bracket Assembly—Flap support (LH)	All	1
	1-17351		Bracket Assembly—Flap support (RH)	All	1
	41-3018-253-8		Bushing	All	1
	BAC344-5-253		Bushing	WG	2
12	AN24-9A		Bolt—Clevis	All	2
	AN364-428		Nut—Self-locking	All	4
13	64-1490-15		Tube Assembly (station 13 to 14 rear LH)	All	4
	64-1490-16		Tube Assembly (station 13 to 14 rear RH)	All	1
14	64-1490-19		Tube Assembly (station 9 to 10 rear LH)	All	1
	64-1490-20		Tube Assembly (station 9 to 10 rear RH)	All	1
15	64-1490-21		Tube Assembly (station 5 to 6 rear LH)	All	1
	64-1490-22		Tube Assembly (station 5 to 6 rear RH)	All	1
16	64-1490-27		Tube Assembly (station 1 to 2 rear LH)	All	1
	64-1490-28		Tube Assembly (station 1 to 2 rear RH)	All	1
17	61-6866-3		Bracket Assembly—Flap support	All	1
	BAC344-5-253		Bushing	All	1
18	AN25-9A		Bolt—Clevis	All	2
	AN364-524		Nut—Self-locking	All	4
19	64-1490-413		Tube Assembly (station 17 to 18 LH)	All	4
	64-1490-414		Tube Assembly (station 17 to 18 RH)	All	1
20	64-1490-423		Tube Assembly (station 1 to 2 LH)	All	1
	64-1490-424		Tube Assembly (station 1 to 2 RH)	All	1
21	61-6866		Bracket Assembly—Flap support	All	1
	41-3018-253-8		Bushing	All	1
	BAC344-5-253		Bushing	WG	2
22	NAS54A24DD		Bolt—Close tolerance	All	2
	AN365D428		Nut—Self-locking	All	4
23	64-1490-17		Tube Assembly—Station 13 to 14 (LH)	All	4
	64-1490-18		Tube Assembly—Station 13 to 14 (RH)	All	1
24	64-1490-25		Tube Assembly—Station 9 to 10 (LH)	All	1
	64-1490-26		Tube Assembly—Station 9 to 10 (RH)	All	1
25	64-1490-29		Tube Assembly—Station 5 to 6 (LH)	All	1
	64-1490-30		Tube Assembly—Station 5 to 6 (RH)	All	1
26	61-6866		Bracket Assembly—Flap support	All	1
	41-3018-253-8		Bushing	All	1
	BAC344-5-253		Bushing	WG	2
27	NAS54A24DD		Bolt—Close tolerance	All	2
	AN365D428		Nut—Self-locking	All	2
28	51-981-2		Rod Assembly—Adjustable flap (station 18)	All	1
29	51-981		Rod Assembly—Adjustable flap (stations 2, 6, 10 & 14)	All	4
	41-3572		Terminal Assembly—Control rod (used on 51-981)	All	2
30	41-3572		Terminal Assembly—Control rod (used on 51-981-2)	All	1
	AN200K5		Bearing—Heavy duty	All	1
31	21-6708-2		Terminal Assembly—Control rod (used on 51-981-2)	All	1
	AN200K4		Bearing—Heavy duty	All	1
32	AN5-14		Bolt—Aircraft	All	4
	AN310-5		Nut—Aircraft castle	All	4
33	AN4-14		Bolt—Aircraft	All	8
	AN310-4		Nut—Aircraft castle	All	8
34	6-9279-1		Swing Assembly—Flap support (station 18 LH)	All	1
35	6-9279		Swing Assembly—Flap support (station 2 LH)	All	1
	6-9279-2		Swing Assembly—Flap support (station 18 & 2 RH)	All	2
36	AN207D4		Bearing	All	2
37	AN200K4		Bearing—Heavy duty	All	2
38	21-6854-2		Arm Assembly—Flap support (stations 14, 10 & 6)	All	3
39	21-6708-2		Terminal Assembly—Flap support	EA	1
	AN200K4		Bearing—Heavy duty	All	1
40	41-3555		Terminal Assembly—Control rod	EA	1
	AN207D4		Bearing	All	2
	6-14963		Arm—Flap support	QH	1
	AN200K4		Bearing—Heavy duty	QH	1
	AN207D4		Bearing	QH	2

WING



C-8052

Figure 13—Inboard Nacelle Structure and Fittings

AN 01-20EG-4

WING

Inboard Nacelle Structure and Fittings

Figure & Index No.	Part Number	1 2 3 4 5 6 7	Nomenclature	Usage Code	Units Per Assy.
			Inboard Nacelle Structure and Fittings		
	85-4805		Installation—Inboard nacelle LH (see fig. 9)	All	NP
	85-4805-1		Installation—Inboard nacelle RH (see fig. 9)	All	NP
	85-4805-720		Nacelle Assembly—LH	All	1
	85-4805-721		Nacelle Assembly—RH	All	1
	9-3266		Installation—Glycol tank filler door (LH)	QB	NP
13-1	9-3266-1		Door Assembly	All	1
2	9-3266-11		Pan Assembly	All	1
	9-10984		Installation—Limit switch access door (LH)	AR	NP
	9-10984-1		Installation—Limit switch access door (RH)	AR	NP
3	6-22134		Door Assembly	All	1
	1-14525-040-072		Latch—Flush type	All	1
	49-2876		Installation—Oil tank filler door (LH)	All	NP
	49-2876-1		Installation—Oil tank filler door (RH)	All	NP
4	49-2876-400		Door Assembly	All	1
	46-6158		Bearing Assembly—Drag strut support (LH)	All	1
	46-6158-1		Bearing Assembly—Drag strut support (RH)	All	1
	46-6158-2		Block (LH)	All	1
	46-6158-3		Block (RH)	All	1
6	46-6158-400		Cap—Bearing	All	1
7	AN286-3		Fitting—Lubricator	All	1
8	41-8792-1		Bushing—Strut support	All	1
9	41-8792-2		Bushing—Strut support	All	1
10	AN505-8R6		Screw—82 degree flat head	All	1
11	41-4614-29-18		Bolt—Drilled head	All	2
12	41-3703		Terminal—Nacelle longeron	All	1
13	41-9541		Plate—Engine mount support	All	1
14	AN10-47		Bolt—Aircraft (engine mount)	All	1
15	41-3831		Filler—Bolt spacer	All	1
16	NAS55-23-5A		Bolt—Close tolerance	All	1
17	NAS55-24-5A		Bolt—Close tolerance	All	5
18	BAC1605-60		Spacer	All	5
	AN960-516		Washer—Plain	All	6
19	NAS54-22A		Bolt—Close tolerance	All	1
20	NAS54-23-5A		Bolt—Close tolerance	All	7
21	BAC1604-60		Spacer	All	4
22	75-4805-739		Bolt	All	1
	AN960-416		Washer—Plain	All	9
23	AN4-23A		Bolt—Aircraft	All	1
	AN366F428		Nut—Plate	All	1
	43-9588		Bearing Assembly—Drag strut support (LH)	All	1
	43-9588-1		Bearing Assembly—Drag strut support (RH)	All	1
24	43-9588-2		Block—Bearing (LH)	All	1
	43-9588-3		Block—Bearing (RH)	All	1
	43-9588-400		Cap—Bearing	All	1
25	AN286-3		Fitting—Lubricator	All	1
26	41-3826-1		Bushing—Strut support	All	1
27	41-3826-2		Bushing—Strut support	All	1
28	AN505-8-6		Screw—82 degree flat head	All	1
29	21-8645-20-10		Bolt—3-8 24 drilled head	All	2
30	41-9541-1		Plate—Engine mount support	All	1
31	AN10-81		Bolt—Aircraft (engine mount)	All	1
32	NAS55S23-5A		Bolt—Close tolerance	All	1
33	NAS55S22-5		Bolt—Close tolerance	All	1
34	AN960-516		Washer—Plain	All	2
35	NAS54-22-5		Bolt—Close tolerance	All	3
	AN960-416		Washer—Plain	All	3
36	75-4805-763		Bolt	All	2
	AN364-428		Nut—Thin self-locking	All	2
37	AN4-22A		Bolt—Aircraft	All	1
	AN365-428		Nut—Self-locking	All	1
38	41-3840		Terminal—Nacelle longeron	All	2
39	41-9542-1		Plate—Engine mount support	All	1
40	41-9542-2		Plate—Engine mount support	All	1
41	41-3831		Filler—Bolt spacer	All	2
42	AN10-47		Bolt—Aircraft (engine mount)	All	2
	55-8536		Firewall Assembly—Inboard nacelle (LH)	All	1
	55-8536-1		Firewall Assembly—Inboard nacelle (RH)	All	1
43	55-6330		Instal—Throt & mix. brkt (LH) (see fig. 187)	All	NP
	55-6331		Instal—Throt & mix. brkt (RH) (see fig. 187)	All	NP
44	6-8314-18		Instal—Throt & mix. brkt (LH) (see fig. 187)	All	NP
	6-8315		Instal—Throt & mix. brkt (RH) (see fig. 187)	All	NP
45	6-8311		Installation—Throt & mix. control brkt (LH) (see fig. 187)	All	NP
	6-8311-1		Installation—Throt & mix. control brkt (RH) (see fig. 187)	All	NP
46	37B6535		Tube Assembly GFE (see fig. 135)	KJ	1
47	65-6044		Instal—Eng cont inbd nac brkt (LH) (see fig. 187)	All	NP
	65-6044-1		Instal—Eng cont inbd nac brkt (RH) (see fig. 187)	All	NP
48	9-3265		Installation—Glycol tank brkt (LH) (see fig. 54)	QB	NP
	15-7639		Support Assembly—Inboard cowl (RH)	All	1
	15-7639-1		Support Assembly—Inboard cowl (LH)	All	1
49	15-7639-3		Segment (LH)	All	1
	15-7639-4		Segment (RH)	All	1
50	15-7639-9		Segment (LH)	All	1
	15-7639-11		Segment (RH)	All	1
51	15-7639-2		Segment (LH)	All	1
	15-7639-10		Segment (RH)	All	1
52	15-7639-7		Segment (LH)	All	1
	15-7639-8		Segment (RH)	All	1
53	15-7639-5		Segment (LH)	All	1
	15-7639-6		Segment (RH)	All	1
54	AN25-29		Bolt—Clevis	All	4
55	AN25-25		Bolt—Clevis	All	2
56	BAC1605-36		Spacer	All	3
	AN320-5		Nut—Aircraft shear	All	6
57	AN26-31		Bolt—Clevis	All	4
58	AN26-24		Bolt—Clevis	All	2
	AN320-6		Nut—Aircraft shear	All	6

WING

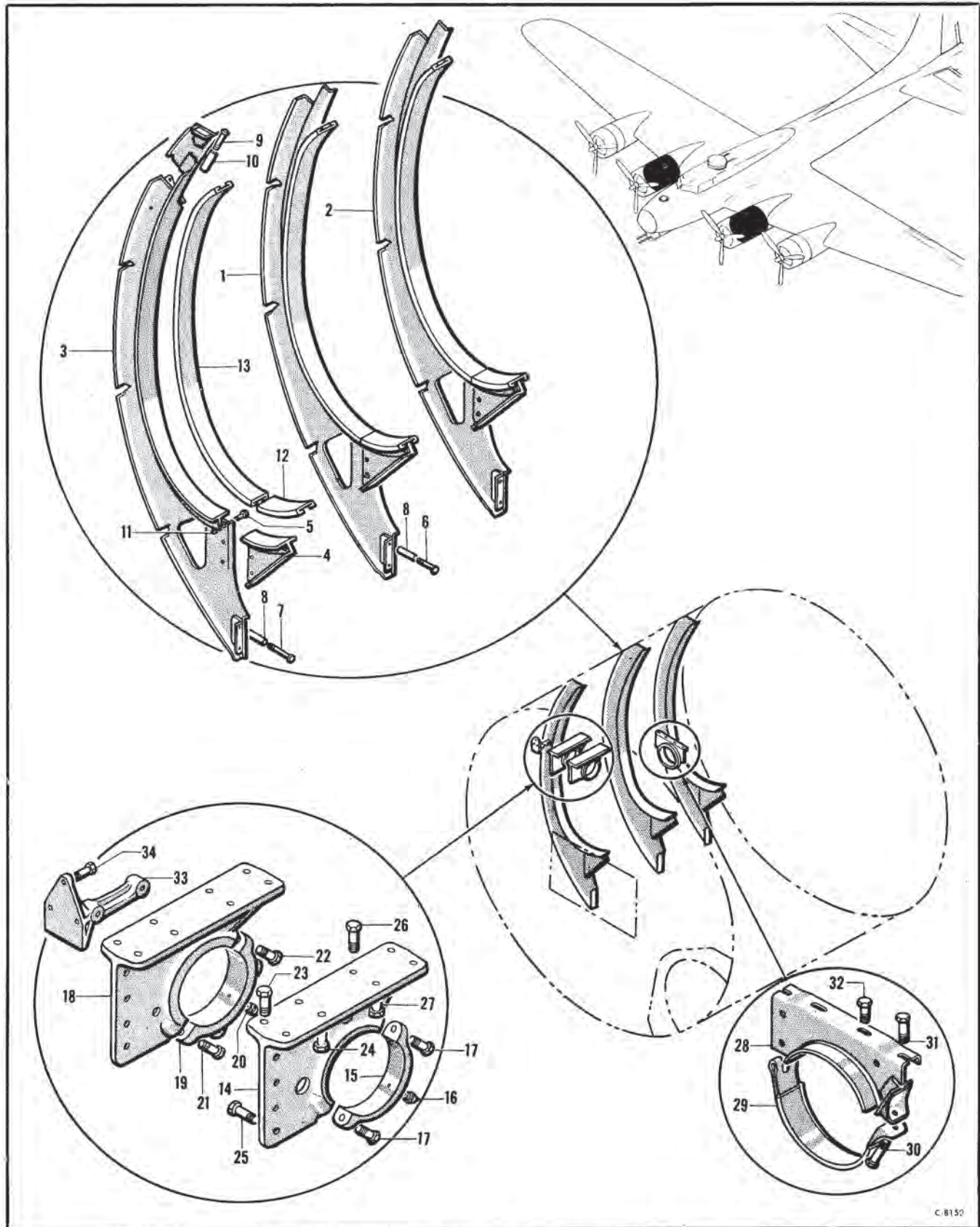


Figure 14—Inboard Nacelle Miscellaneous Supports

AN 01-20EG-4

WING

Inboard Nacelle Miscellaneous Supports

Figure & Index No.	Part Number	1 2 3 4 5 6 7	Nomenclature	Usage Code	Units Per Assy.
			Inboard Nacelle Miscellaneous Supports		
	85-4805-720		Nacelle Assembly—LH (see fig. 13)	All	Ref
	85-4805-721		Nacelle Assembly—RH (see fig. 13)	All	Ref
	65-5915		Installation—Oil tank cradle inboard nacelle (LH)	All	NP
	65-5915-1		Installation—Oil tank cradle inboard nacelle (RH)	All	NP
14-1	65-5915-504		Cradle Assembly (Station 2C LH)	All	1
	65-5915-505		Cradle Assembly (Station 2C RH)	All	1
2	65-5915-502		Cradle Assembly (Station 2D LH)	All	1
	65-5915-503		Cradle Assembly (Station 2D RH)	All	1
3	65-5915-500		Cradle Assembly (Forward LH)	All	1
	65-5915-501		Cradle Assembly (Forward RH)	All	1
4	3-14997		Support Assembly—Oil tank cradle (LH)	All	3
	3-14997-1		Support Assembly—Oil tank cradle (RH)	All	3
5	AN3-5A		Bolt—Aircraft	All	11
6	AN3-21A		Bolt—Aircraft	All	4
7	AN3-22A		Bolt—Aircraft	All	2
8	BAC1603-91		Spacer—Number 10 bolt	All	6
9	NAS53A23-5		Bolt—Close tolerance	All	1
10	BAC1603-96		Spacer	All	1
11	AN365-1032		Nut—Self-locking	All	18
	AN960D10		Washer—Plain	All	15
12	1-16056-4-3		Cushion—Tank support	All	3
13	1-16056-28-6		Cushion—Tank support	All	3
	65-5299		Installation—Landing gear beam (LH)	All	NP
	65-5299-1		Installation—Landing gear beam (RH)	All	NP
	9-2958		Installation—Landing gear retracting screw support (LH)	All	NP
	9-2958-1		Installation—Landing gear retracting screw support (RH)	All	NP
	9-2958-2		Support Assembly (LH)	GC	1
	9-2958-3		Support Assembly (RH)	GC	1
14	9-2958-6		Support (LH)	All	1
	9-2958-7		Support (RH)	All	1
15	9-2958-8		Cap (LH)	All	1
	9-2958-9		Cap (RH)	All	1
16	AN286-2		Fitting—Lubricator	All	1
17	AN6H11		Bolt—Aircraft	All	2
	AN960-616		Washer—Plain	All	1
	9-2958-17		Support Assembly (LH)	RO	1
	9-2958-18		Support Assembly (RH)	RO	1
	9-2958-19		Support (LH)	All	1
	9-2958-20		Support (RH)	All	1
	9-2958-21		Cap (LH)	All	1
	9-2958-22		Cap (RH)	All	1
	AN286-2		Fitting—Lubricator	All	1
	AN6H11		Bolt—Aircraft	All	1
	AN6H10		Bolt—Aircraft	All	1
	AN960-616		Washer—Plain	All	2
	9-2958-4		Support Assembly (LH)	All	1
	9-2958-5		Support Assembly (RH)	All	1
18	9-2958-10		Support (LH)	All	1
	9-2958-11		Support (RH)	All	1
19	9-2958-12		Cap (LH)	All	1
	9-2958-13		Cap (RH)	All	1
20	AN286-2		Fitting—Lubricator	All	1
21	AN6H11		Bolt—Aircraft	All	1
22	AN6H10		Bolt—Aircraft	All	1
	AN960-616		Washer—Plain	All	2
23	NAS54A10		Bolt—Close tolerance	All	4
24	NAS54A7		Bolt—Close tolerance	All	4
25	NAS54A5-5		Bolt—Close tolerance	All	8
	AN365-428		Nut—Self-locking	All	16
	AN960-416		Washer—Plain	All	16
26	NAS55A11		Bolt—Close tolerance	All	7
27	NAS55A10		Bolt—Close tolerance	All	2
	AN365-524		Nut—Self-locking	All	8
	AN960-516		Washer—Plain	All	7
	6-13123		Installation—Landing gear motor support (LH)	All	NP
	6-13123-1		Installation—Landing gear motor support (RH)	All	NP
	6-13123-2		Support Assembly (LH)	All	1
	6-13123-3		Support Assembly (RH)	All	1
28	3-18572		Bracket Assembly—Landing gear motor support (LH)	All	1
	3-18572-1		Bracket Assembly—Landing gear motor support (RH)	All	1
29	51-83		Strap Assembly—Landing gear motor support	All	1
30	1-23035-2		Bolt—10-32 special	All	1
	AN3-13A		Bolt—Aircraft	All	1
	AN365-1032		Nut—Self-locking	All	1
31	AN3-5A		Bolt—Aircraft	All	2
32	AN3-4A		Bolt—Aircraft	All	2
	AN365-1032		Nut—Self-locking	All	4
33	3-11854		Bracket—Oil separator	All	1
34	AN3-7A		Bolt—Aircraft	All	3
	AN365-1032		Nut—Self-locking	All	3

Section I I
Group Assembly Parts List

AN 01-20EG-4

WING

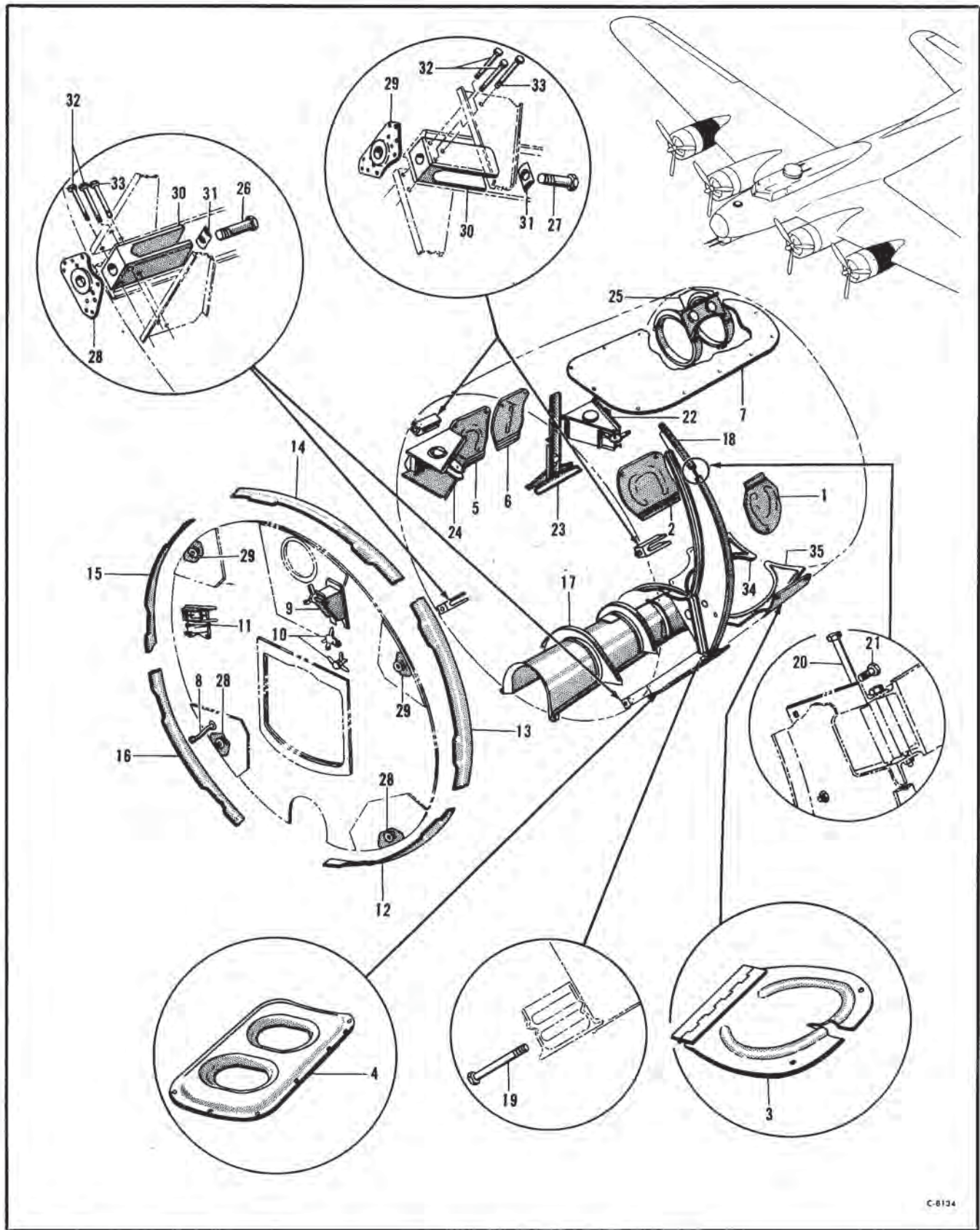


Figure 15—Outboard Nacelle

AN 01-20EG-4

WING

Outboard Nacelle

Figure & Index No.	Part Number	1 2 3 4 5 6 7	Nomenclature	Usage Code	Units Per Assy.
	85-4806		Installation—Outboard nacelle (LH) (see fig. 9)	All	NP
	85-4806-1		Installation—Outboard nacelle (RH) (see fig. 9)	All	NP
	85-4806-700		Nacelle Assembly (outboard LH)	All	1
	85-4806-701		Nacelle Assembly (outboard RH)	All	1
	9-2901		Installation—Outboard oil tank filler door (LH)	All	NP
	9-2901-1		Installation—Outboard oil tank filler door (RH)	All	NP
15-1	9-2901-5		Door Assembly	All	1
	9-3044-1		Installation—Outboard nacelle access door (LH)	All	NP
	9-3044		Installation—Outboard nacelle access door (RH)	All	NP
2	9-3044-2		Door Assembly	All	1
	15-7994		Installation—Outboard nacelle access door (LH)	All	NP
	15-7994-1		Installation—Outboard nacelle access door (RH)	All	NP
3	15-7994-2		Door Assembly	All	1
	15-5865		Installation—Outboard nacelle door (LH)	All	NP
	15-5865-1		Installation—Outboard nacelle door (RH)	All	NP
4	15-5865-2		Door Assembly	All	1
	54-1766		Installation—Outboard nacelle access (LH)	All	NP
	54-1766-1		Installation—Outboard nacelle access (RH)	All	NP
5	54-1766-2		Door Assembly	All	1
6	54-1766-4		Door Assembly	All	1
	75-5025		Installation—Outboard nacelle door (LH)	All	NP
	75-5025-26		Installation—Outboard nacelle door (RH)	All	NP
7	75-5025-600		Door Assembly	All	1
	55-8535		Firewall Assembly—Outboard nacelle (LH)	All	1
	55-8535-1		Firewall Assembly—Outboard nacelle (RH)	All	1
8	37B6535		Tube Assembly—GFE (see fig. 135)	KJ	1
9	9-3093		Installation—Throttle & mixture bracket (see fig. 186)	All	NP
10	59-3088		Installation—Throttle & mixture bracket (LH) (see fig. 186)	All	NP
	9-3087		Installation—Throttle & mixture bracket (RH) (see fig. 186)	All	NP
11	55-6336		Installation—Engine control bracket (LH) (see fig. 186)	All	NP
	15-7688		Installation—Engine control bracket (RH)	All	NP
	15-7688-33		Bracket Assembly (see fig. 186)	All	1
	15-7638		Support Assembly—Outboard cowl (LH)	All	1
	15-7638-11		Support Assembly—Outboard cowl (RH)	All	1
12	15-7638-3		Segment (LH)	All	1
	15-7638-8		Segment (RH)	All	1
13	15-7638-1		Segment (LH)	All	1
	15-7638-6		Segment (RH)	All	1
14	15-7638-5		Segment (LH)	All	1
	15-7638-10		Segment (RH)	All	1
15	15-7638-4		Segment (LH)	All	1
	15-7638-9		Segment (RH)	All	1
16	15-7638-2		Segment (LH)	All	1
	15-7638-7		Segment (RH)	All	1
	75-5977-421		Installation—Shroud outboard nacelle (LH)	All	NP
	75-5977-422		Installation—Shroud outboard nacelle (RH)	All	NP
17	75-5977-600		Shroud Assembly—Spotweld (LH)	E	1
	75-5977-601		Shroud Assembly—Spotweld (RH)	E	1
	75-5977-602		Shroud Assembly—Spotweld (LH)	ZE	1
	75-5977-603		Shroud Assembly—Spotweld (RH)	ZE	1
	65-5982		Installation—Cradle outboard nacelle (LH)	All	NP
	65-5982-1		Installation—Cradle outboard nacelle (RH)	All	NP
18	65-5982-500		Cradle Assembly (LH)	All	1
	65-5982-501		Cradle Assembly (RH)	All	1
19	NAS53S22A		Bolt—Close tolerance	All	2
20	NAS53-23A		Bolt—Close tolerance	All	2
	BAC1603-96		Spacer	All	4
21	NAS53-56A		Bolt—Close tolerance	All	2
	AN960-10		Washer—Plain	All	9
	AN365-1032		Nut—Self-locking	All	6
22	9-3127		Installation—Intercooler temperature control bracket (LH) (see fig. 37)	All	NP
	49-3129		Installation—Intercooler temperature control bracket (RH) (see fig. 37)	All	NP
23	9-3126		Installation—Intercooler temperature control lever (LH) (see fig. 37)	All	NP
	9-3126-1		Installation—Intercooler temperature control lever (RH) (see fig. 37)	All	NP
24	55-6191		Installation—Engine controls bracket (LH) (see fig. 186)	All	NP
	55-6191-1		Installation—Engine controls bracket (RH) (see fig. 186)	All	NP
25	55-6162		Installation—Supercharger oil tank support (LH) (see fig. 38)	All	NP
	55-6162-1		Installation—Supercharger oil tank support (RH) (see fig. 38)	All	NP
26	AN10-46		Bolt—Aircraft (engine mount lower)	All	2
27	AN10-47		Bolt—Aircraft (engine mount upper)	All	2
28	41-9542		Plate (engine mount support lower)	All	2
29	41-9542-1		Plate (engine mount support upper)	All	2
30	41-3840		Terminal—Nacelle longeron	All	4
31	41-3831		Filler—Bolt spacer	All	4
32	NAS54-22-5		Bolt—Close tolerance	All	8
33	AN3-22A		Bolt—Aircraft	All	4
	9-3194		Installation—External cowling outboard supercharger (LH)	All	NP
	9-3194-1		Installation—External cowling outboard supercharger (RH)	All	NP
34	9-3194-2		Cowl—Inboard (LH)	All	1
	9-3194-3		Cowl—Inboard (RH)	All	1
35	9-3194-14		Cowl—Outboard (LH)	All	1
	9-3194-15		Cowl—Outboard (RH)	All	1

WING

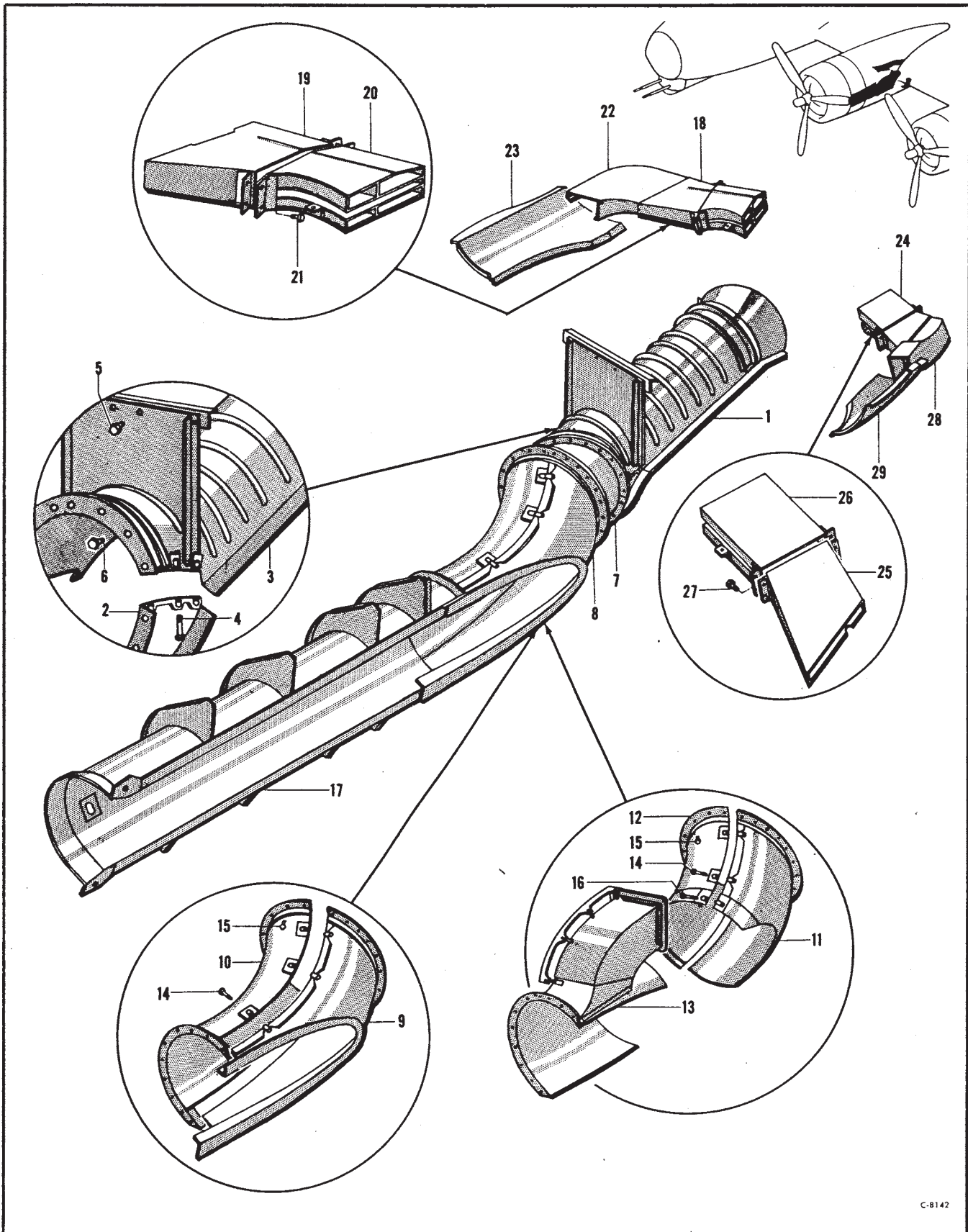


Figure 16—Inboard Exhaust Shrouds and Supercharger Cooling Ducts

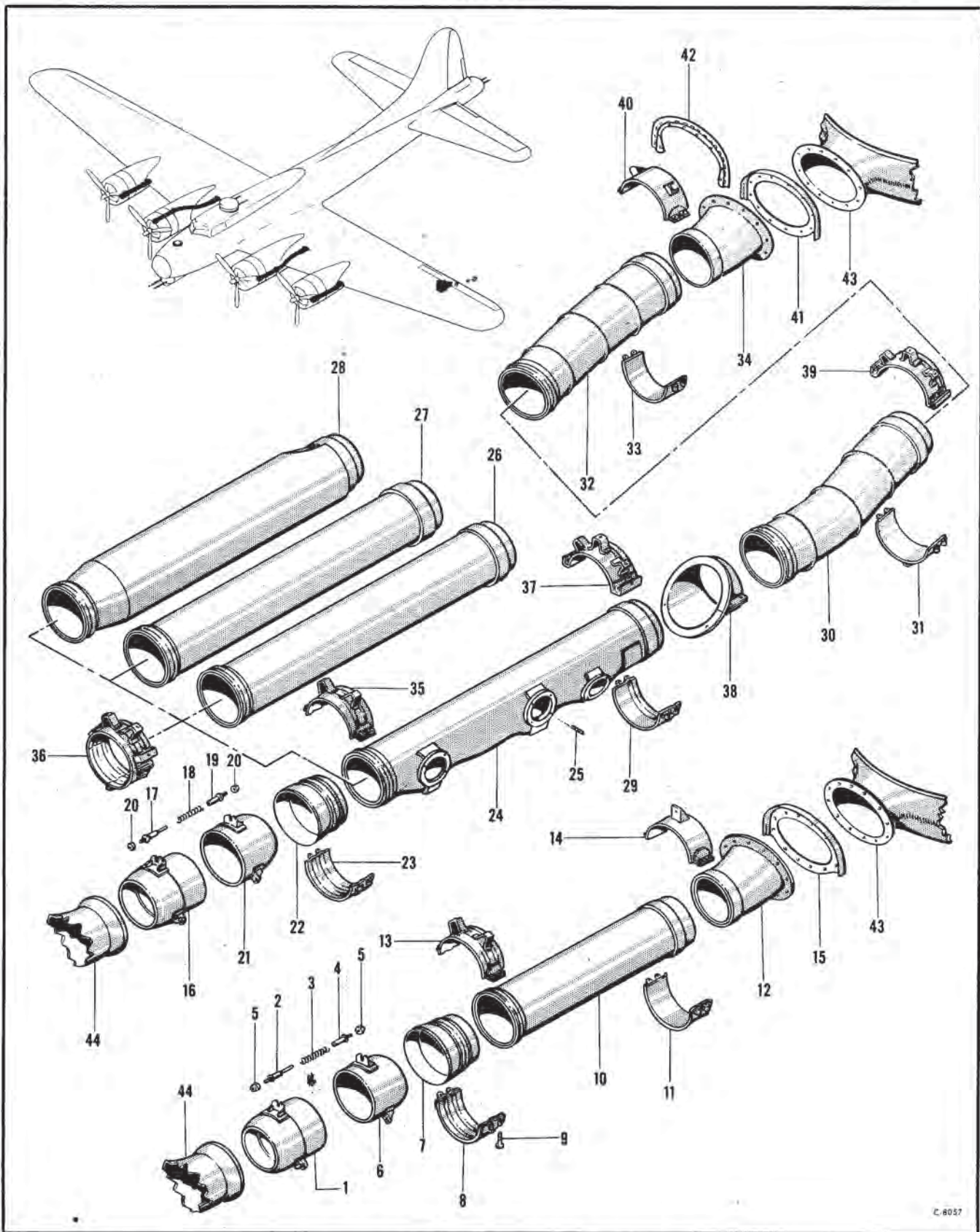
AN 01-20EG-4

WING

Inboard Exhaust Shrouds and Supercharger Cooling Ducts

Figure & Index No.	Part Number	1 2 3 4 5 6 7	Nomenclature	Usage Code	Units Per Assy.
			Inboard Exhaust Shrouds and Supercharger Cooling Ducts		
	85-4805		Installation—Inboard nacelle (see fig. 9)	All	NP
	85-4805-1		Installation—Inboard nacelle (see fig. 9)	All	NP
	55-6063-64		Installation—Exhaust shroud inboard nacelle (LH)	All	NP
	55-6063-65		Installation—Exhaust shroud inboard nacelle (RH)	All	NP
16-1	55-6063-404		Shroud Assembly (LH)	E	1
	55-6063-429		Shroud Assembly (LH)	XE	1
	55-6063-442		Shroud Assembly (LH)	WO	1
	55-6063-405		Shroud Assembly (RH)	E	1
	55-6063-430		Shroud Assembly (RH)	XE	1
	55-6063-443		Shroud Assembly (RH)	WO	1
2	15-6063-30		Shroud Assembly—Detachable (LH)	IC	1
	55-6063-440		Shroud Assembly—Detachable (LH)	WO	1
	15-6063-31		Shroud Assembly—Detachable (RH)	IC	1
	55-6063-441		Shroud Assembly—Detachable (RH)	WO	1
3	55-6063-402		Shroud Assembly—Weld (LH)	E	1
	55-6063-427		Shroud Assembly—Weld (RH)	ZE	1
	55-6063-403		Shroud Assembly—Weld (LH)	E	1
	55-6063-428		Shroud Assembly—Weld (RH)	ZE	1
4	AN3-15A		Bolt—Aircraft	All	6
5	AN3-4A		Bolt—Aircraft	All	4
6	AN3-3A		Bolt—Aircraft	All	14
	15-6045-62		Installation—Shroud inboard nacelle bulkhead LH	All	NP
	15-6045-63		Installation—Shroud inboard nacelle bulkhead RH	All	NP
7	15-6045-28		Shroud Assembly—LH	All	1
	15-6045-29		Shroud Assembly—RH	All	1
	85-4805-720		Nacelle Assembly—LH (see fig. 13)	All	Ref
	85-4805-721		Nacelle Assembly—RH (see fig. 13)	All	Ref
	65-6019		Installation—Shroud station 2D front spar (LH)	All	NP
	65-6019-1		Installation—Shroud station 2D front spar (RH)	All	NP
8	65-6019-518		Shroud Assembly (LH)	QB	1
	65-6019-545		Shroud Assembly (LH)	XM	1
	65-6019-519		Shroud Assembly (RH)	QB	1
	65-6019-546		Shroud Assembly (RH)	XM	1
9	65-6019-516		Shroud Assembly (LH)	QB	1
	65-6019-517		Shroud Assembly (RH)	QB	1
10	65-6019-515		Cover Assembly—Shroud (LH)	QB	1
	65-6019-514		Cover Assembly—Shroud (RH)	QB	1
11	65-6019-547		Shroud Assembly—Weld (LH)	XM	1
	65-6019-548		Shroud Assembly—Weld (RH)	XM	1
12	65-6019-557		Shroud Assembly—Weld (LH)	XM	1
	65-6019-558		Shroud Assembly—Weld (RH)	XM	1
13	15-16077		Shroud Assembly—Primary air (LH)	XM	1
	15-16077-1		Shroud Assembly—Primary air (RH)	XM	1
14	AN3-16A		Bolt—Aircraft	All	6
15	AN3-3A		Bolt—Aircraft	All	34
16	AN3-15A		Bolt—Aircraft	XM	2
	75-6002		Installation—Shroud inboard nacelle station 2 to 2D LH	All	NP
	75-6002-1		Installation—Shroud inboard nacelle station 2 to 2D RH	All	NP
17	75-6002-604		Shroud Assembly (LH)	QB	1
	75-6002-611		Shroud Assembly (LH)	XM	1
	75-6002-605		Shroud Assembly (RH)	QB	1
	75-6002-615		Shroud Assembly (RH)	XM	1
	55-5929-536		Installation—Lower fairing inboard nacelle (LH)	All	NP
	55-5929-537		Installation—Lower fairing inboard nacelle (RH)	All	NP
18	15-6535		Installation—Supercharger cooling duct (LH)	All	NP
	15-6535-1		Installation—Supercharger cooling duct (RH)	All	NP
19	15-6535-2		Duct Assembly—Spot weld (LH)	All	1
	15-6535-3		Duct Assembly—Spot weld (RH)	All	1
20	6-8532		Duct Assembly—Supercharger cooling (LH)	All	1
	6-8532-1		Duct Assembly—Supercharger cooling (RH)	All	1
21	AN3-3A		Bolt—Aircraft	All	6
22	55-5929-461		Scoop Assembly—Inboard (LH)	CB	1
	55-5929-646		Scoop (LH)	IL	1
	55-5929-462		Scoop Assembly—Inboard (RH)	CB	1
	55-5929-647		Scoop (RH)	IL	1
	9-3195		Installation—Supercharger cooler scoop extension (LH)	All	NP
	9-3195-1		Installation—Supercharger cooler scoop extension (RH)	All	NP
23	9-3195-39		Extension Assembly—Scoop (LH)	All	1
	9-3195-40		Extension Assembly—Scoop (RH)	All	1
24	15-6534		Installation—Supercharger cooling duct (LH)	All	NP
	15-6534-1		Installation—Supercharger cooling duct (RH)	All	NP
25	15-6534-2		Duct Assembly (LH)	All	1
	15-6534-3		Duct Assembly (RH)	All	1
26	6-8527		Duct Assembly—Supercharger cooler (LH)	All	1
	6-8527-13		Duct Assembly—Supercharger cooler (RH)	All	1
27	AN3-3A		Bolt—Aircraft	All	6
28	55-5929-473		Scoop Assembly—Weld outboard (LH)	CB	1
	55-5929-644		Scoop (LH)	IL	1
	55-5929-474		Scoop Assembly—Weld outboard (RH)	CB	1
	55-5929-645		Scoop (RH)	IL	1
	6-8526		Installation—Supercharger cooler scoop extension (LH)	All	NP
	6-8526-1		Installation—Supercharger cooler scoop extension (RH)	All	NP
20	6-8526-30		Extension Assembly—Scoop (LH)	All	1
	6-8526-31		Extension Assembly—Scoop (RH)	All	1

WING



C. 8057

Figure 17—Exhaust Collector Tailpipes

T.O. 1B-17G-4

WING

Exhaust Collector Tailpipes

Figure & Index No.	Part Number	1 2 3 4 5 6 7	Nomenclature	Usage Code	Units Per Assy
			Exhaust Collector Tailpipes.		
	65-7350		Installation—Power plant	All	NP
	65-6690		Tailpipe Assembly—LH outboard	E	1
	65-6690-1		Tailpipe Assembly—RH outboard	E	1
	65-6690-506		Tailpipe Assembly—Outboard	ZE	2
17-1	3-12485		Ball Assembly—Flexible joint	All	1
2	1-16606		Stud—Spring	All	3
3	1-16604		Spring—Compression	All	3
4	1-16605		Stud—Spring support	All	3
5	AN310-4		Nut—Aircraft castle	All	6
6	3-12487		Ball Assembly—Flexible joint	All	1
7	3-12486		Socket Assembly—Flexible joint	All	1
8	3-12229-4		Clamp Assembly—Lower half	All	8
9	AN4C12A		Bolt—Corrosion resistant	All	1
10	65-6690-400		Tube Assembly—Weld	All	1
11	3-12291		Clamp Assembly—Lower half	All	1
12	65-6690-500		Transition Assembly (LH)	E	1
	65-6690-501		Transition Assembly (RH)	E	1
	65-6690-507		Transition Assembly	ZE	1
	7-1370		Installation—Clamp outboard station 2	All	NP
13	6-8460		Clamp Assembly—Upper half	All	1
	7-1371		Installation—Clamp outboard station 2C (LH)	All	NP
	7-1371-1		Installation—Clamp outboard station 2C (RH)	All	NP
14	3-12292		Clamp Assembly—Upper half	All	1
	9-3186		Installation—Outboard shroud seal	All	NP
15	9-3186-1		Gasket Assembly	All	1
	95-6525		Tailpipe Assembly—Exhaust inboard LH	E	1
	95-6525-811		Tailpipe Assembly—Exhaust inboard LH	SE	1
	95-6525-820		Tailpipe Assembly—Exhaust inboard LH	TM	1
	95-6525-819		Tailpipe Assembly—Exhaust inboard LH	FP	1
	85-6525		Tailpipe Assembly—Exhaust inboard RH	E	1
	85-6525-712		Tailpipe Assembly—Exhaust inboard RH	SE	1
	85-6525-722		Tailpipe Assembly—Exhaust inboard RH	TM	1
	85-6525-720		Tailpipe Assembly—Exhaust inboard RH	FP	1
16	3-12485		Ball Assembly—Flexible joint	All	1
17	1-16606		Stud—Spring	All	3
18	1-16604		Spring—Compression	All	3
19	1-16605		Stud—Spring	All	3
20	AN310-4		Nut—Aircraft castle	All	6
21	3-12487		Ball Assembly—Flexible joint	All	1
22	3-12486		Socket Assembly—Flexible joint	All	1
23	3-12229		Clamp Assembly—Lower half	QB	1
24	75-6525-16		Section Assembly (LH)	QB	1
25	1-21053		Stud—Heater	All	12
26	85-6525-721		Section Assembly	TM	1
27	65-6525-501		Section Assembly (RH)	QB	1
28	7141		Exchanger Assembly—Exhaust heat, Airesearch (Boeing part No. 15-11383)	FP	1
29	3-12295		Clamp Assembly—Lower half	All	1
30	75-6525-601		Section Assembly—Tailpipe (LH)	QB	1
	95-6525-814		Section Assembly—Tailpipe (LH)	XM	1
	65-6525-502		Section Assembly—Tailpipe (RH)	QB	1
	85-6525-716		Section Assembly—Tailpipe (RH)	XM	1
31	3-12312		Clamp Assembly—Lower half	All	1
32	75-6525-602		Section Assembly—Tailpipe (LH)	All	1
	65-6525-503		Section Assembly—Tailpipe (RH)	All	1
33	3-12291		Clamp Assembly—Lower half	All	1
34	95-6525-805		Transition Assembly (LH)	E	1
	95-6525-812		Section Assembly—Transition (LH)	ZE	1
	85-6525-705		Section Assembly—Transition (RH)	E	1
	85-6525-713		Section Assembly—Transition (RH)	ZE	1
	46-8649		Installation—Inboard clamp station 2 LH	QB	NP
	46-8649-1		Installation—Inboard clamp station 2 RH	QB	NP
35	6-8460-1		Clamp Assembly—Upper half station 2	All	1
	6-16382		Installation—Inboard nacelle clamp (LH)	XM	NP
	6-16382-1		Installation—Inboard nacelle clamp (RH)	XM	NP
36	9-6730-1		Clamp Assembly—Exhaust stack	All	1
	46-8648		Installation—Inboard clamp station 2D (LH)	All	NP
	46-8648-1		Installation—Inboard clamp station 2D (RH)	All	NP
37	6-8476		Clamp Assembly—Upper half	All	1
	9-7577		Installation—Inboard shroud seal (LH)	XM	NP
	9-7577-1		Installation—Inboard shroud seal (RH)	XM	NP
38	2-2080		Clamp Assembly—Airseal (LH)	All	1
	2-2080-1		Clamp Assembly—Airseal (RH)	All	1
	7-1373		Installation—Inboard clamp station 3 (LH)	All	NP
	7-1373-1		Installation—Inboard clamp station 3 (RH)	All	NP
39	6-8476		Clamp Assembly—Upper half	All	1
	7-1372		Installation—Inboard clamp station 3C (LH)	All	NP
	7-1372-1		Installation—Inboard clamp station 3C (RH)	All	NP
40	3-12313		Clamp Assembly—Upper half	All	1
41	9-3186-1		Gasket Assembly—Shroud	MC	2
42	6-20711		Seal Assembly—Shroud	OP	4
43	15-9796		Installation—Supercharger (see fig. 33 & 34)	All	NP
44			Manifold Assemblies—Exhaust (see fig. 178)		

Section I I
Group Assembly Parts List

AN 01-20EG-4

WING

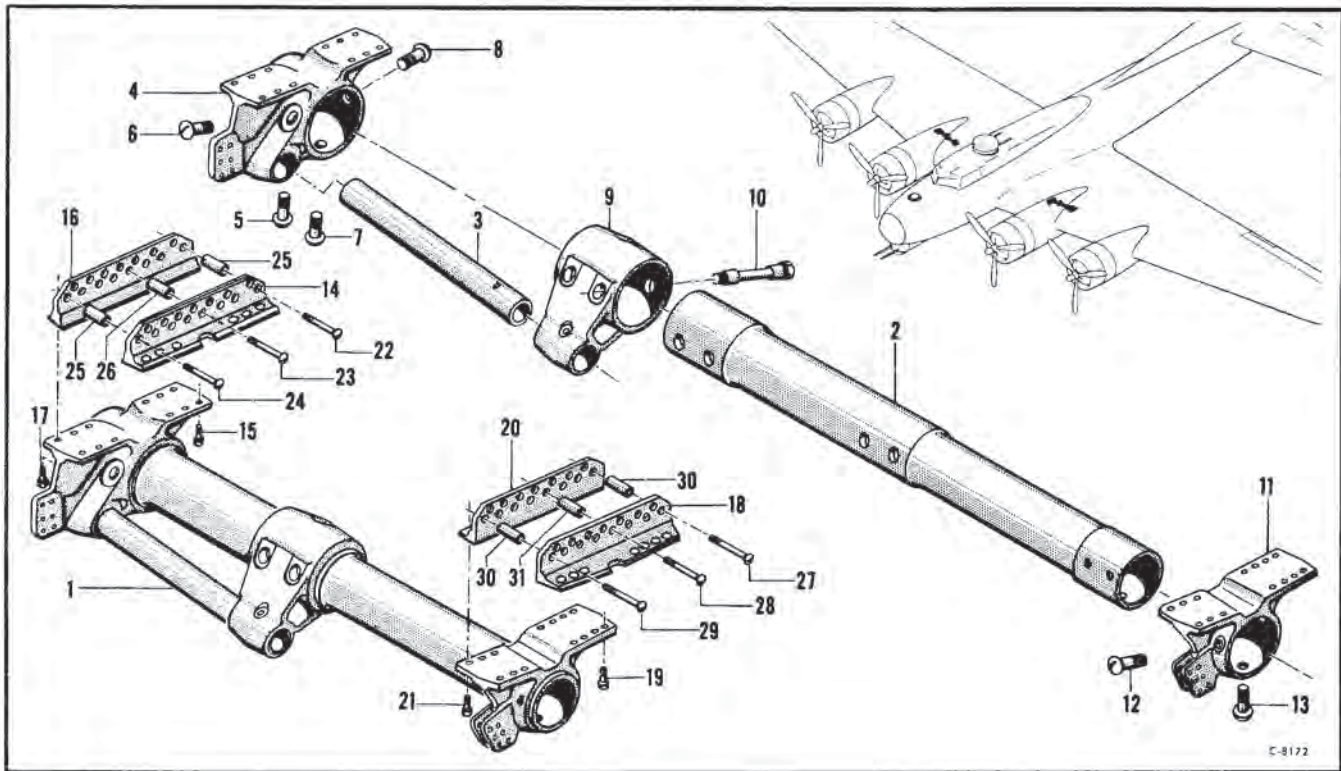


Figure 18—Landing Gear Support

Landing Gear Support

Figure & Index No.	Part Number	1 2 3 4 5 6 7	Nomenclature	Usage	Units Per Assy.
	55-6249		Installation—Landing gear support (LH) (see fig. 11)	All	NP
18-1	55-6249-1		Installation—Landing gear support (RH) (see fig. 11)	All	NP
	55-6249-400		Support Assembly—Landing gear (LH)	All	1
	55-6249-401		Support Assembly—Landing gear (RH)	All	1
2	4-805		Tube—Landing gear support	All	1
3	41-2789		Trunnion—Landing gear	All	1
4	9-3048-2		Fitting—Landing gear attaching station 4 (LH)	All	1
	9-3048-3		Fitting—Landing gear attaching station 4 (RH)	All	1
5	AN36-25		Bolt—Clevis	All	1
6	AN36-27		Bolt—Clevis	All	2
7	AN36-28		Bolt—Clevis	All	1
8	1-17461		Bolt	All	2
	21-9588-11		Washer—Ball seat	All	6
9	7-1345		Fitting—Landing gear support (LH)	All	1
	7-1345-1		Fitting—Landing gear support (RH)	All	1
10	41-9404-1		Bolt	All	2
	AN960-1416		Washer—Plain	All	2
	AN320-14		Nut—Aircraft shear	All	2
11	6-8129-2		Fitting—Landing gear attaching station 6 (LH)	All	1
	6-8129-3		Fitting—Landing gear attaching station 6 (RH)	All	1
12	AN28-16		Bolt—Clevis	All	4
13	AN30-19		Bolt—Clevis	All	1
	21-9588-8		Washer—Ball seat	All	4
	21-9588-4		Washer—Ball seat	All	1
14	46-6512-400		Angle—Landing gear attaching station 4 outboard (LH)	All	1
	46-6512-401		Angle—Landing gear attaching station 4 outboard (RH)	All	1
15	AN6C11		Bolt—Aircraft	All	6
16	46-6512-402		Angle—Landing gear attaching station 4 inboard (LH)	All	1
	46-6512-403		Angle—Landing gear attaching station 4 inboard (RH)	All	1
17	AN6C10		Bolt—Aircraft	All	6
18	46-6513-402		Angle—Landing gear attaching station 6 outboard (LH)	All	1
	46-6513-403		Angle—Landing gear attaching station 6 outboard (RH)	All	1
19	AN6C11		Bolt—Aircraft	All	7
20	46-6513-400		Angle—Landing gear attaching station 6 inboard (LH)	All	1
	46-6513-401		Angle—Landing gear attaching station 6 inboard (RH)	All	1
21	AN7C10		Bolt—Aircraft	All	7
22	NAS57-34-5		Bolt—Close tolerance	All	2
23	NAS56-37		Bolt—Close tolerance	All	11
24	NAS57-37-5		Bolt—Close tolerance	All	2
25	BAC1607-105		Spacer	All	4
26	BAC1606-105		Spacer	All	11
27	NAS57-32-5		Bolt—Close tolerance	All	2
28	NAS56-32		Bolt—Close tolerance	All	11
29	NAS57-30-5		Bolt—Close tolerance	All	2
30	BAC1607-95		Spacer	All	4
31	BAC1606-95		Spacer	All	11

WING

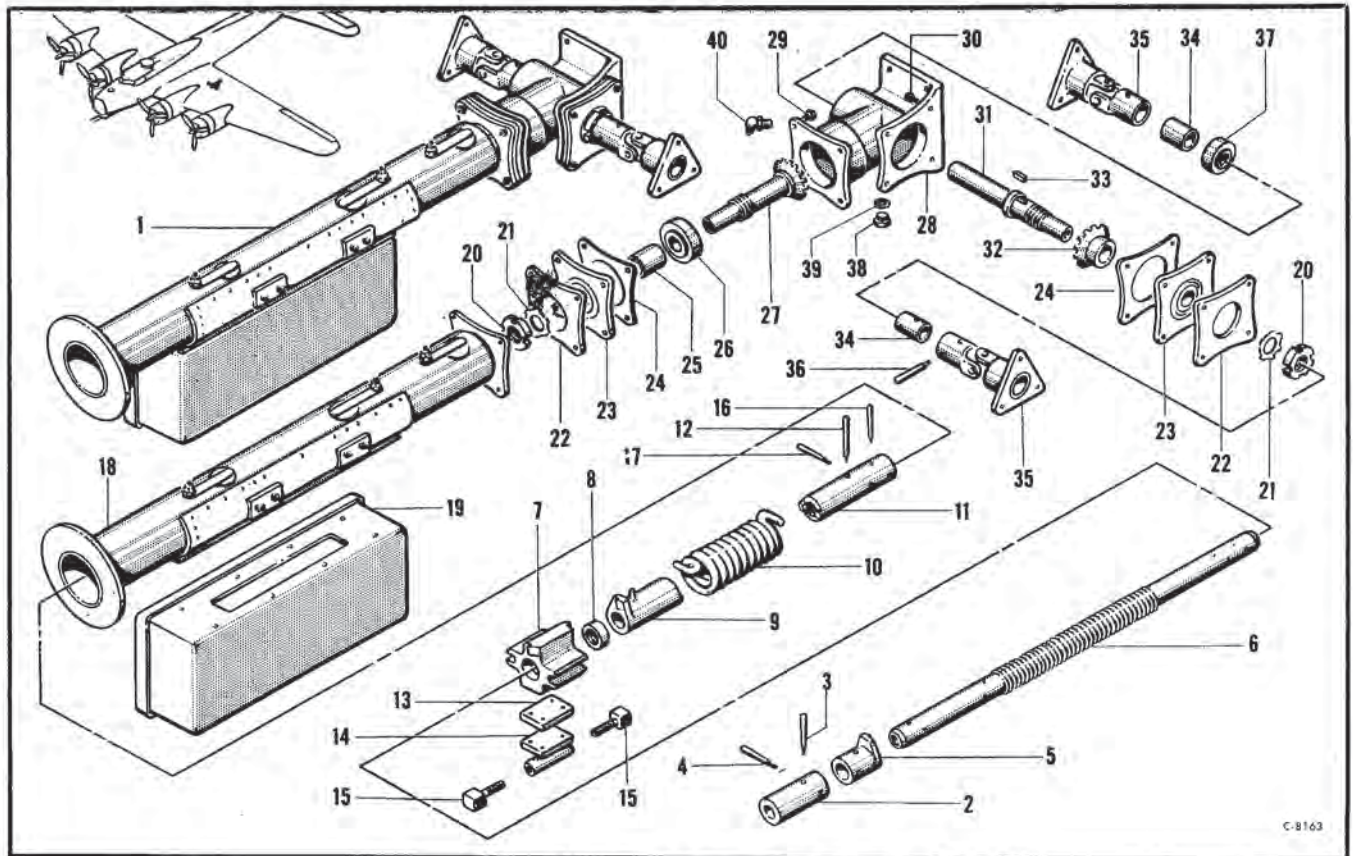


Figure 19—Unit Assembly—Flap Controls Motor

Unit Assembly—Flap Controls Motor

Figure & Index No.	Part Number	Nomenclature	Usage Code	Units Per Assy.
19-1	49-2631	Unit Assembly—Flap controls motor (see fig. 20)	All	Ref
2	46-6905	Shaft Assembly—Flap motor	All	1
3	51-568	Coupling—Flap motor	All	1
4	AN386-1-9	Pin—Threaded taper	All	2
5	AN386-2-9	Pin—Threaded taper	All	3
6	51-569	Stop—Flap motor	All	1
7	3-8752-1	Screw—Flap motor stop	All	1
8	3-11733	Nut—Flap motor stop	All	1
9	46-6905-1	Tube	All	1
10	41-4600	Stop Assembly—Flap motor	All	1
11	41-5613	Spring—Torsion	All	1
12	41-4498	Stop—Flap motor	All	1
13	AN386-1-12	Pin—Threaded taper	All	1
14	49-2631-4	Shim	CB	1
15	51-482	Nut—Limit switch	CB	1
16	1-30200	Nut—Limit switch	CL	1
17	51-211	Striker—Limit switch	All	2
18	AN386-1-9	Pin—Threaded taper	All	1
19	AN386-2-9	Pin—Threaded taper	All	1
20	49-2976	Tube Assembly—Flap motor	All	1
21	6-8325	Shield—Flap limit switch	All	1
22	41-4601	Nut—Flap control	All	2
23	41-4602-1	Washer—Flap control	All	2
24	41-2801	Plate—Flap control	All	2
25	41-4483	Cap Assembly—Flap control	All	2
26	41-1439	Shim—Laminated	All	2
27	1-9034	Spacer—Flap control	All	1
28	AN201K12A	Bearing—Ball	All	1
29	41-1435	Gear—Flap control	All	1
30	46-6603	Housing—Flap control	All	1
31	AN3-10	Bolt—Aircraft	All	4
32	AN3-7	Bolt—Aircraft	All	4
33	41-1436-2	Shaft—Flap control	All	1
34	41-1434-1	Gear—Flap control	All	1
35	BAC1002-8	Key—5-32 square	All	1
36	1-27901	Sleeve—Flap control	All	2
37	3-19275	Joint Assembly—Flap control	All	2
38	BAC1851-16	Joint—Universal	GB	1
39	44B6540	Joint—Universal	PL	1
40	AN386-1-8	Pin—Threaded taper	All	4
	AN201K10A	Bearing—Ball	All	1
	905-6	Plug	All	1
	AN900-6	Gasket—Annular copper	All	1
	AN286-3	Fitting—Lubricator	All	1

WING

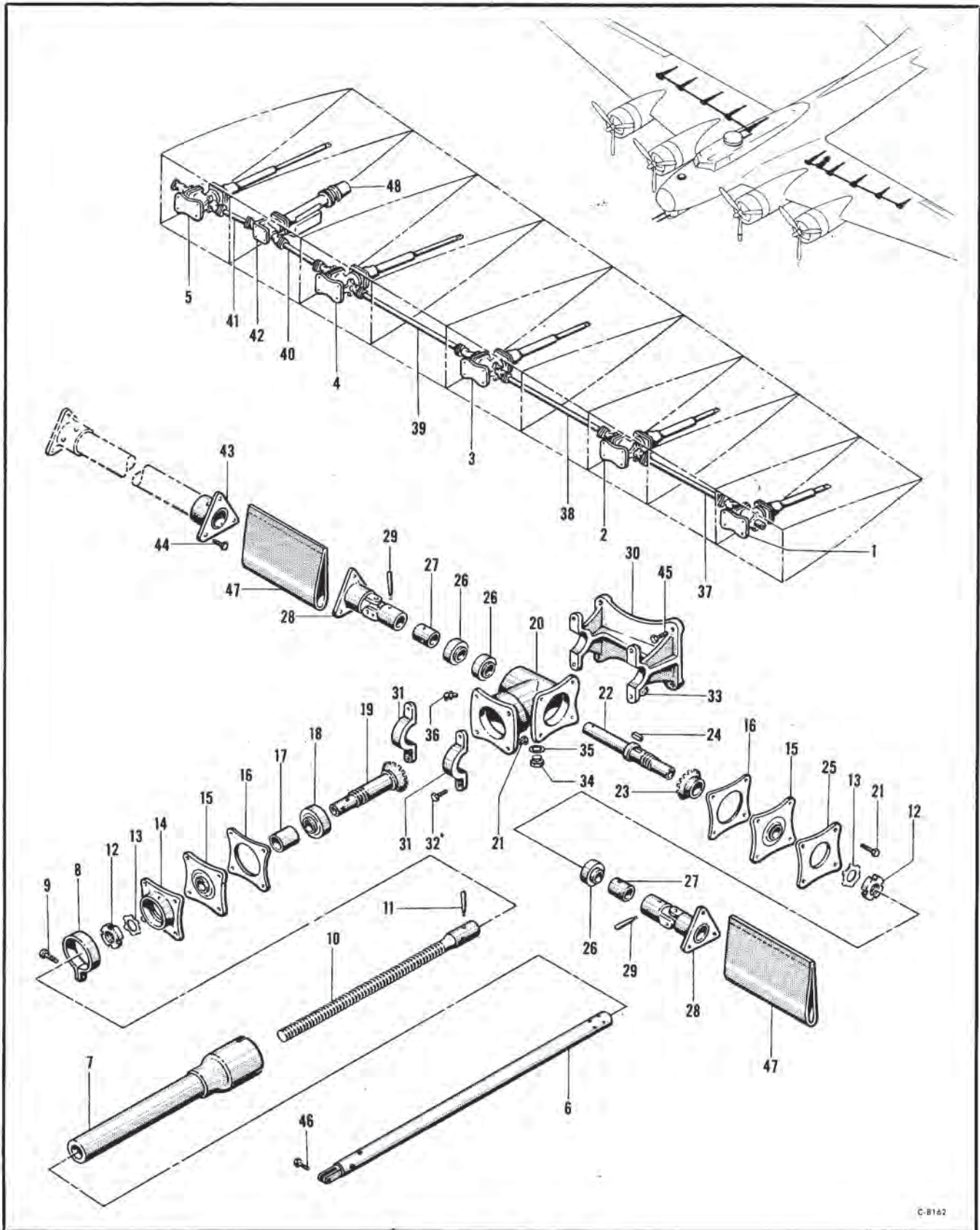


Figure 20—Wing Flap Control

AN 01-20EG-4

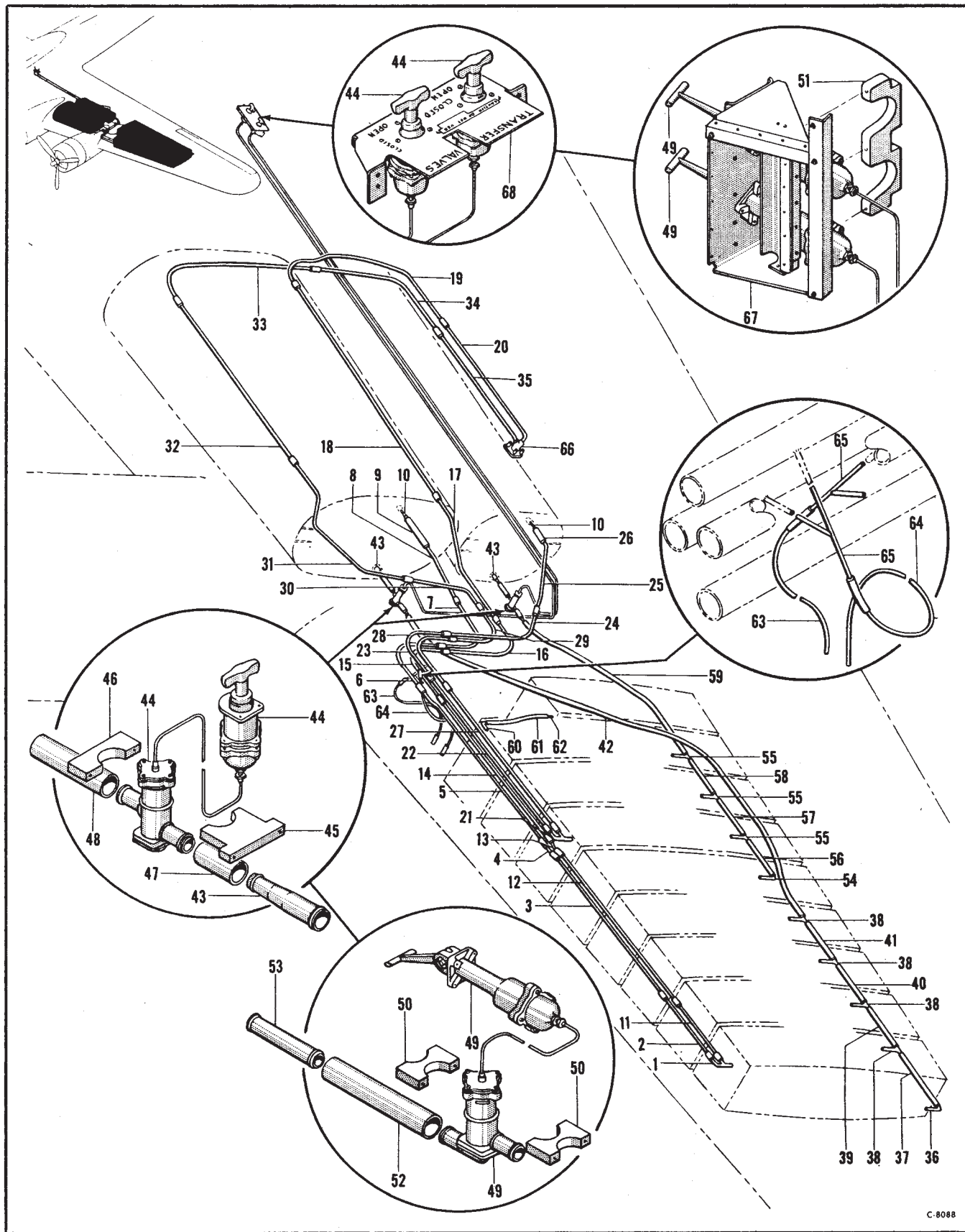
WING

Wing Flap Control

Figure & Index No.	Part Number	1 2 3 4 5 6 7	Nomenclature	Usage Code	Units Per Assy.
			Wing Flap Control.....		
	55-5442		Installation—Wing flap control (see fig. 12).....	All	NP
	55-5442-1		Installation—Wing flap control (see fig. 12).....	All	NP
20-1	7-1365		Control Assembly—Wing flap (LH).....	All	1
	7-1365-1		Control Assembly—Wing flap (RH).....	All	1
2	7-1365-2		Control Assembly—Wing flap (LH).....	All	1
	7-1365-3		Control Assembly—Wing flap (RH).....	All	1
3	7-1365-4		Control Assembly—Wing flap (LH).....	All	1
	7-1365-5		Control Assembly—Wing flap (RH).....	All	1
4	7-1365-6		Control Assembly—Wing flap (LH).....	All	1
	7-1365-7		Control Assembly—Wing flap (RH).....	All	1
5	7-1365-8		Control Assembly—Wing flap (LH).....	All	1
	7-1365-9		Control Assembly—Wing flap (RH).....	All	1
	3-12087		Rod Assembly—Flap control (used on 7-1365 and 7-1365-1).....	All	1
	3-12087-2		Rod Assembly—Flap control (used on 7-1365-2 and 7-1365-3).....	All	1
	3-12087-4		Rod Assembly—Flap control (used on 7-1365-4 and 7-1365-5).....	All	1
	3-12087-6		Rod Assembly—Flap control (used on 7-1365-6 and 7-1365-7).....	All	1
6	3-12087-8		Rod Assembly—Flap control (used on 7-1365-8 and 7-1365-9).....	All	1
	41-4633		Terminal—Flap control rod.....	All	1
	AN23-27A		Bolt—Clevis.....	All	2
	AN365-1032		Nut—Self-locking.....	All	2
7	41-4638		Sleeve Assembly—Flap control.....	All	1
8	AN741-18P		Clamp—Tube.....	All	1
9	AN3-12A		Bolt—Aircraft.....	All	1
	AN365-1032		Nut—Self-locking.....	All	13
10	3-15122		Screw—Flap control.....	All	1
11	AN386-1-7		Pin—Threaded taper.....	All	4
	AN975-3		Washer—Taper pin.....	All	6
12	41-4601		Nut—Flap control.....	All	2
13	41-4602-1		Washer—Flap control.....	All	2
14	41-4484		Flange—Flap control.....	All	1
15	41-4483		Cap Assembly—Flap control.....	All	2
	AN201K12A		Bearing—Ball.....	All	1
16	41-1439		Shim—Laminated.....	All	2
17	1-19034		Spacer—Flap control.....	All	1
18	AN201K12A		Bearing—Ball.....	All	1
19	41-1435		Gear—Flap control.....	All	1
20	43-8756		Housing—Flap control.....	All	1
21	AN3-7		Bolt—Aircraft.....	All	8
	AN310-3		Nut—Aircraft castle.....	All	2
22	41-1436		Shaft—Flap control.....	All	1
23	41-1434		Gear—Flap control.....	All	1
24	BAC1002-8		Key—5-32 square.....	All	1
25	41-2801		Plate—Flap control.....	All	1
26	AN201K10A		Bearing—Ball.....	All	3
27	1-27901		Sleeve—Flap control.....	All	2
28	3-19275		Joint Assembly—Flap controls.....	All	2
	BAC1851-16		Joint—Universal.....	GB	1
	44B6540		Joint—Universal.....	PL	1
29	AN386-1-8		Pin—Threaded taper.....	All	4
	43-8754		Bracket Assembly—Flap control.....	All	1
30	43-8754-1		Base—Bracket.....	All	1
31	43-8754-2		Cap—Bracket.....	All	2
32	AN3-7A		Bolt—Aircraft.....	All	4
33	AN365-1032		Nut—Self-locking.....	All	4
34	905-6		Plug—Hex.....	All	1
35	AN900-6		Gasket—Annular copper.....	All	1
36	AN286-3		Fitting—Lubricator.....	All	1
37	41-5035-53-13		Tube Assembly—Flap torque (LH).....	All	1
	41-5035-53-17		Tube Assembly—Flap torque (RH).....	All	1
38	41-5035-51-1		Tube Assembly—Flap torque (LH).....	All	1
	41-5035-50-31		Tube Assembly—Flap torque (RH).....	All	1
39	41-5035-61-16		Tube Assembly—Flap torque (LH).....	All	1
	41-5035-61-19		Tube Assembly—Flap torque (RH).....	All	1
40	41-5035-55-25		Tube Assembly—Flap torque (LH).....	All	1
	41-5035-24-8		Tube Assembly—Flap torque (RH).....	All	1
41	41-5035-21-15		Tube Assembly—Flap torque (LH).....	All	1
42	49-2631		Unit Assembly—Flap controls motor (LH) (see fig. 19).....	All	1
43	41-4220		Coupling—Shaft.....	All	5
44	AN3-5A		Bolt—Aircraft.....	All	30
45	AN3-6A		Bolt—Aircraft.....	All	24
	AN960D10		Washer—Plain.....	All	80
	AN365-1032		Nut—Self-locking.....	All	54
46	41-1395-21		Bolt.....	All	5
	AN320-4		Nut—Aircraft shear.....	All	5
	41-5918		Installation—Universal grease boot.....	GB	NP
47	41-5918-1		Boot.....	All	1
48	786-1		Motor Assembly—Wing flap (Eclipse) (see T.Q. 03-55CO-26) (see fig. 44).....	All	Ref

RESTRICTED
AN 01-20EG-4

WING



C-8088

Figure 21—Outboard Fuel Tubing
RESTRICTED

AN 01-20EG-4

WING

Outboard Fuel Tubing

Figure & Index No.	Part Number	1	2	3	4	5	6	7	Nomenclature	Usage Code	Units Per Assy.
									Outboard Fuel Tubing		
	15-10407								Installation—Outboard fuel tubing (LH) (see fig. 22)	SC	NP
	15-10407-1								Installation—Outboard fuel tubing (RH) (see fig. 22)	SC	NP
21-1	3-22243								Elbow Assembly—Fuel vent	P	1
	3-25167								Elbow Assembly—Fuel vent	XF	1
2	15-10407-73								Tube Assembly (fuel vent)	IC	1
3	15-10407-74								Tube Assembly (fuel vent)	All	1
4	15-10407-81								Tube Assembly (fuel vent)	All	1
5	15-10407-75								Tube Assembly (fuel vent)	SC	1
6	3-20740								Elbow Assembly—LH (fuel vent)	SC	1
	3-20740-1								Elbow Assembly—RH (fuel vent)	SC	1
7	15-10407-76								Tube Assembly (fuel vent)	SC	1
8	15-10407-77								Tube Assembly (fuel vent)	SC	1
9	AN878-16-44								Hose—Synthetic	ZA	1
	AN878-16-54								Hose—Synthetic	UK	1
10	1-29182								Tube—Swaged	E	2
	3-24632								Tube—Swaged	PE	2
11	15-10407-3								Tube Assembly (fuel vent)	SC	1
12	15-10407-50								Tube Assembly (fuel vent)	SC	1
13	15-10407-11								Tube Assembly (fuel vent)	SC	1
14	15-10407-4								Tube Assembly (fuel vent)	SC	1
15	3-20236								Tube Assembly—LH (fuel vent)	SC	1
	3-20236-1								Tube Assembly—RH (fuel vent)	SC	1
16	15-10407-12								Tube Assembly (fuel vent)	SC	1
17	15-10407-13								Tube Assembly (fuel vent)	SC	1
18	15-10407-14								Tube Assembly (fuel vent)	SC	1
19	15-10407-15								Tube Assembly (fuel vent LH)	SC	1
	15-10407-16								Tube Assembly (fuel vent RH)	SC	1
20	15-10407-54								Tube Assembly (fuel vent LH)	SC	1
	15-10407-55								Tube Assembly (fuel vent RH)	SC	1
21	3-22244								Elbow Assembly—Fuel vent	P	1
	3-25166								Elbow Assembly—Fuel vent	XF	1
22	15-10407-78								Tube Assembly (fuel vent)	SC	1
23	3-22289								Tube Assembly—LH (fuel vent)	SC	1
	3-22289-1								Tube Assembly—RH (fuel vent)	SC	1
24	15-10407-79								Tube Assembly (fuel vent LH)	SC	1
	15-10407-83								Tube Assembly (fuel vent RH)	SC	1
25	15-10407-80								Tube Assembly (fuel vent)	SC	1
26	AN878-16-26								Hose—Synthetic	ZA	1
	AN878-16-44								Hose—Synthetic	UK	1
27	15-10407-4								Tube Assembly (fuel vent)	SC	1
28	3-20235								Tube Assembly—LH (fuel vent)	SC	1
	3-20235-1								Tube Assembly—RH (fuel vent)	SC	1
29	15-10407-5								Tube Assembly (fuel vent)	SC	1
30	15-10407-46								Tube Assembly (fuel vent)	SC	1
31	15-10407-6								Tube Assembly (fuel vent LH)	SC	1
	15-10407-45								Tube Assembly (fuel vent RH)	SC	1
32	15-10407-7								Tube Assembly (fuel vent)	SC	1
33	15-10407-8								Tube Assembly (fuel vent LH)	SC	1
	15-10407-9								Tube Assembly (fuel vent RH)	SC	1
34	15-10407-34								Tube Assembly (fuel vent LH)	SC	1
	15-10407-35								Tube Assembly (fuel vent RH)	SC	1
35	15-10407-52								Tube Assembly (fuel vent LH)	SC	1
	15-10407-53								Tube Assembly (fuel vent RH)	SC	1
36	1-27733								Tube Assembly—Fuel tubing	P	1
	3-25169								Tube Assembly—Fuel tubing	XF	1
37	15-10407-18								Hose—Fuel feed	All	1
38	3-19593								Tee Assembly—Fuel feed	P	4
	3-25168								Tee Assembly—Fuel feed	XF	4
39	15-10407-19								Hose (fuel feed)	All	1
40	15-10407-20								Hose (fuel feed)	All	1
41	15-10407-21								Hose (fuel feed)	All	1
42	15-10407-22								Hose (fuel feed)	All	1
43	1-28972								Tube—Swaged	LC	1
44	A855KX								Valve Assembly—Transfer control (Denison) GFE	D	4
	A855NX								Valve Assembly—Transfer control (E-5) (Denison) GFE	D	2
45	1-128969								Clamp—Shut off valve	D	2
46	1-128966								Clamp—Shut off valve	D	2
47	15-10407-62								Hose (fuel feed)	D	2
48	15-10407-63								Hose (fuel feed)	D	2
49	A855RX								Valve Assembly—Transfer control (D-5) (Denison) GFE	EE	2
50	3-23438								Clamp—Fuel valve	NJ	2
51	3-27147								Clamp—Valve bracket	DE	4
52	15-10407-94								Hose (fuel feed)	PJ	1
	15-10407-96								Hose (fuel feed)	FE	1
53	3-24429								Sleeve—Tank connector	TK	2
54	1-27733-2								Elbow—Fuel feed	FE	1
	3-25169								Elbow—Fuel feed	P	1
55	3-19593								Tee Assembly—Fuel feed	XF	1
56	15-10407-23								Tube Assembly (fuel feed)	SC	3
57	15-10407-24								Tube Assembly (fuel feed)	All	1
58	15-10407-25								Tube Assembly (fuel feed)	All	1
59	15-10407-26								Tube Assembly (fuel feed)	All	1
60	3-20742								Elbow Assembly—Tube	LC	1
	3-25171								Elbow Assembly—Tube	P	1
61	15-10407-27								Hose Assembly	XF	1
62	1-27216								Sleeve—Tube	SC	1
	3-25170								Sleeve—Tube	P	1
63	15-10407-87								Tube Assembly (fuel vent drain LH)	XF	1
	15-10407-88								Tube Assembly (fuel vent drain RH)	ZD	1
64	15-10407-89								Tube Assembly (fuel vent drain LH)	ZD	1
	15-10407-90								Tube Assembly (fuel vent drain RH)	ZD	1
65	3-22245								Tube Assembly—Fuel vent	ZD	1
66	6-12874-6								Flange Assembly—Tank vents (see fig. 12)	SC	2
	15-10390								Installation—Outboard wing tank (see fig. 24)	All	NP
	15-10400								Installation—Inboard wing tank (see fig. 24)	All	NP
	15-10408								Installation—Wing fuel tank (see fig. 24)	All	NP
67	9-7996								Installation—D-5 fuel valve bracket (see fig. 69)	All	NP
68	6-14134								Installation—Fuel valve bracket (LH) (see fig. 69)	PJ	NP
	6-14134-1								Installation—Fuel valve bracket (RH) (see fig. 69)	QA	NP

WING

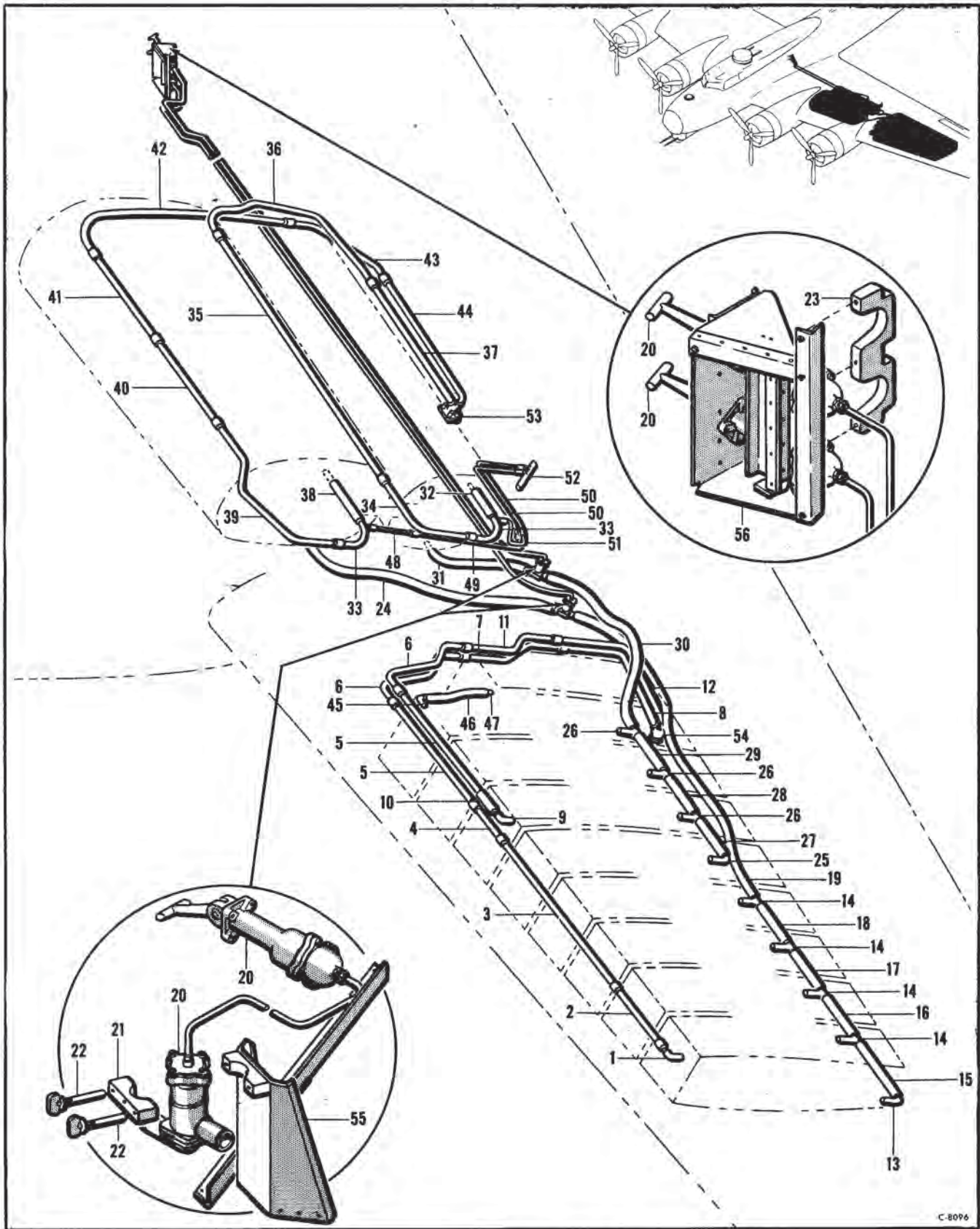


Figure 22—Outboard Fuel Tubing

AN 01-20EG-4

WING

Outboard Fuel Tubing

Figure & Index No.	Part Number	1 2 3 4 5 6 7	Nomenclature	Usage Code	Units Per Assy.
			Outboard Fuel Tubing.....		
	15-10407		Installation—Outboard fuel tubing (LH) (see fig. 21).....	VP	NP
	15-10407-1		Installation—Outboard fuel tubing (RH) (see fig. 21).....	VP	NP
22-1	3-25221-7		Elbow Assembly—Fuel vent.....	VP	1
2	15-10407-95		Tube Assembly (fuel vent).....	VP	1
3	15-10407-74		Tube Assembly (fuel vent).....	VP	1
4	15-10407-81		Tube Assembly (fuel vent).....	VP	1
5	15-10407-118		Tube Assembly (fuel vent).....	VP	2
6	15-10407-119		Tube Assembly (fuel vent).....	VP	2
7	15-10407-123		Tube Assembly (fuel vent).....	VP	1
8	15-10407-128		Tube Assembly (fuel vent LH).....	VP	1
	15-10407-127		Tube Assembly (fuel vent RH).....	VP	1
9	3-25166-7		Elbow Assembly—Fuel vent.....	VP	1
10	AN878-16-26		Hose—Synthetic.....	VP	1
11	15-10407-121		Tube Assembly—Fuel vent.....	VP	1
12	15-10407-126		Tube Assembly (fuel vent LH).....	VP	1
	15-10407-125		Tube Assembly (fuel vent RH).....	VP	1
13	3-25169-1		Tube Assembly—Fuel tubing.....	VP	1
14	3-25168		Tee Assembly—Fuel tubing.....	VP	4
15	15-10407-18		Hose (fuel feed).....	All	1
16	15-10407-19		Hose (fuel feed).....	All	1
17	15-10407-20		Hose (fuel feed).....	All	1
18	15-10407-21		Hose (fuel feed).....	All	1
19	15-10407-157		Hose (fuel feed).....	MP	1
20	A855RX		Valve Assembly—Transfer control (D-5) (Denison) GFE (see fig. 105).....	MP	2
21	3-29469		Clamp—Fuel valve.....	MP	2
22	3-20745-48		Screw Assembly—Clamp.....	MP	4
23	3-27147		Clamp—Valve bracket.....	VP	1
24	15-10407-159		Hose (fuel feed).....	MP	1
25	3-25169		Tube Assembly—Fuel tubing.....	VP	1
26	3-19593		Tee Assembly—Fuel tubing.....	All	3
27	15-10407-23		Hose (fuel feed).....	All	1
28	15-10407-24		Hose (fuel feed).....	All	1
29	15-10407-25		Hose (fuel feed).....	All	1
30	15-10407-156		Hose (fuel feed).....	MP	1
31	15-10407-158		Hose (fuel feed).....	MP	1
32	AN878-16-44		Hose—Synthetic.....	VP	1
33	3-28707		Elbow Assembly—Fuel feed.....	VP	2
34	15-10407-140		Tube Assembly (fuel feed).....	VP	1
35	15-10407-141		Tube Assembly (fuel feed).....	VP	1
36	15-10407-142		Tube Assembly (fuel feed LH).....	VP	1
	15-10407-143		Tube Assembly (fuel feed RH).....	VP	1
37	15-10407-144		Tube Assembly (fuel feed LH).....	VP	1
	15-10407-145		Tube Assembly (fuel feed RH).....	VP	1
38	AN878-16-54		Hose—Synthetic.....	VP	1
39	15-10407-130		Tube Assembly (fuel feed LH).....	VP	1
	15-10407-131		Tube Assembly (fuel feed RH).....	VP	1
40	15-10407-132		Tube Assembly (fuel feed).....	VP	1
41	15-10407-133		Tube Assembly (fuel feed).....	VP	1
42	15-10407-134		Tube Assembly (fuel feed LH).....	VP	1
	15-10407-135		Tube Assembly (fuel feed RH).....	VP	1
43	15-10407-136		Tube Assembly (fuel feed LH).....	VP	1
	15-10407-137		Tube Assembly (fuel feed RH).....	VP	1
44	15-10407-138		Tube Assembly (fuel feed LH).....	VP	1
	15-10407-139		Tube Assembly (fuel feed RH).....	VP	1
45	3-25171		Elbow Assembly—Tube.....	VP	1
46	15-10407-27		Hose (fuel feed).....	VP	1
47	3-25170		Sleeve—Tube.....	VP	1
48	15-10407-152		Tube Assembly (fuel vent drain LH).....	VP	1
	15-10407-153		Tube Assembly (fuel vent drain RH).....	VP	1
49	15-10407-151		Tube Assembly (fuel vent drain).....	VP	1
50	15-10407-146		Tube Assembly (fuel vent drain LH).....	VP	2
	15-10407-147		Tube Assembly (fuel vent drain RH).....	VP	2
51	15-10407-149		Tube Assembly (fuel vent drain LH).....	VP	1
	15-10407-150		Tube Assembly (fuel vent drain RH).....	VP	1
52	3-28710		Tube Assembly—Siphon breaker.....	VP	1
53	6-12874-6		Flange Assembly—Tank vents (see fig. 12).....	All	Ref
	9-5598		Installation—Fuel connection door (LH) (see fig. 12).....	All	NP
	9-5598-1		Installation—Fuel connection door (RH) (see fig. 12).....	All	NP
54	6-18950		Flange Assembly—Tank vents.....	VP	1
	9-9208		Installation—D-5 fuel valve bracket (LH).....	VP	NP
	9-9208-1		Installation—D-5 fuel valve bracket (RH).....	VP	NP
55	9-9208-7		Bracket Assembly (LH).....	VP	2
	9-9208-8		Bracket Assembly (RH).....	VP	2
56	9-7996		Installation—D-5 fuel valve bracket (LH) (see fig. 69).....	VP	NP
	9-7995		Installation—D-5 fuel valve bracket (RH).....	VP	NP

WING

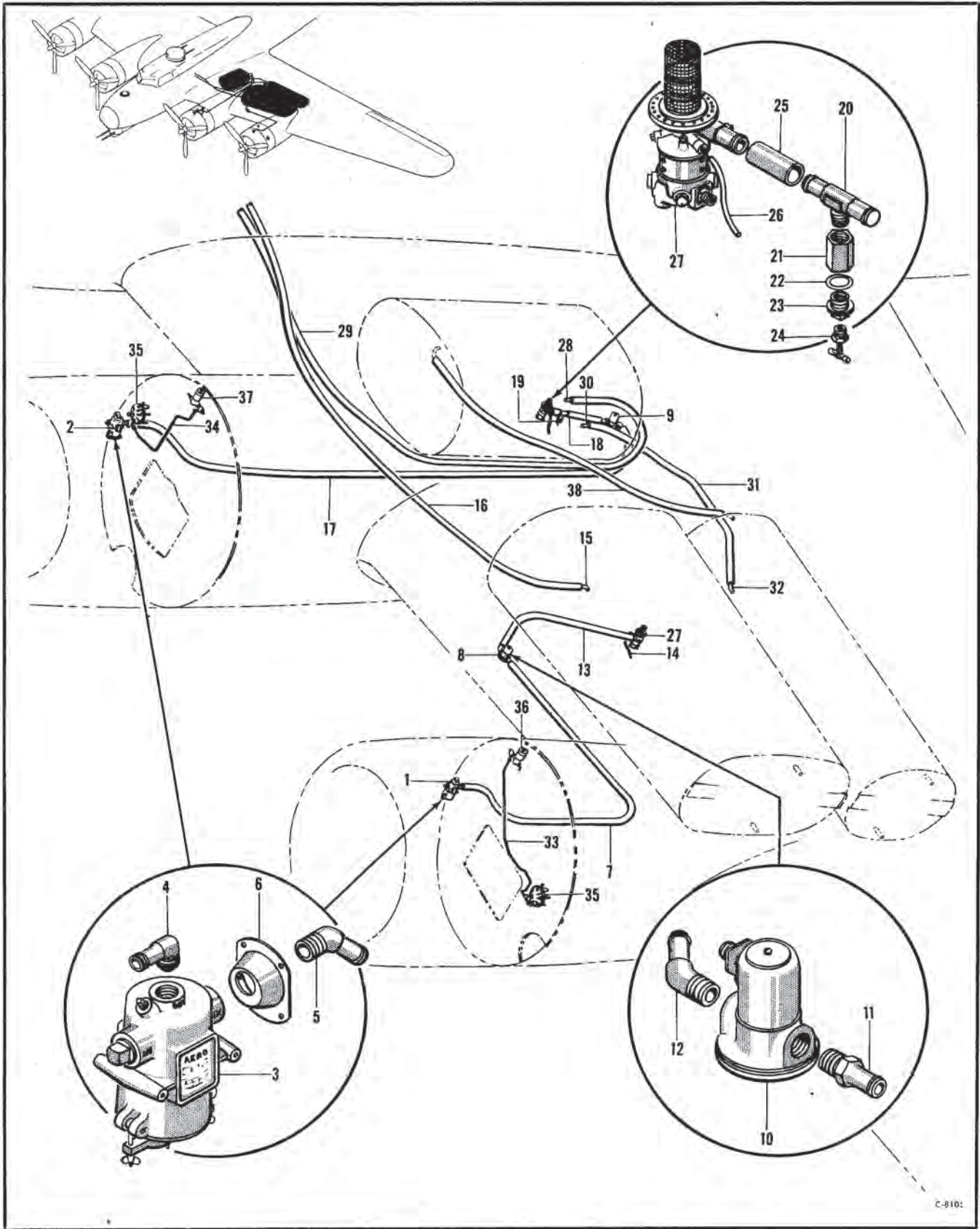


Figure 23—Inboard Fuel Tubing

AN 01-20EG-4

WING

Inboard Fuel Tubing

Figure & Index No.	Part Number	1 2 3 4 5 6 7	Nomenclature	Usage Code	Units Per Assy
	15-9471		Inboard Fuel Tubing		
	6-9352		Installation—Fuel tubing	All	NP
	6-9352-1		Installation—Outboard fuel strainer (LH)	All	NP
	6-9588		Installation—Outboard fuel strainer (RH)	All	NP
	6-9588-1		Installation—Inboard fuel strainer (LH)	All	NP
23-1	6-9352-2		Installation—Inboard fuel strainer (RH)	All	NP
	6-9352-3		Strainer Assembly—Fuel (LH outboard)	All	1
	6-9588-2		Strainer Assembly—Fuel (RH outboard)	All	1
2	6-9588-3		Strainer Assembly—Fuel (LH inboard)	All	1
	6-9588-4		Strainer Assembly—Fuel (RH inboard)	LC	1
	6-9588-7		Strainer Assembly—Fuel (RH inboard)	MP	1
3	13960-3		Strainer Assembly—Type C-4 (Aero Supply)	All	1
4	AN842-16		Elbow—90 degree pipe thread hose (LH & RH outboard and LH inboard)	All	1
	AN844-16		Elbow—45 degree pipe thread hose (RH inboard)	All	1
5	AN844-16		Elbow—45 degree pipe thread hose (inboard)	All	2
	AN840-16		Adapter—Hose to pipe thread (outboard)	All	1
6	1-19817-3		Cup—Fuel strainer (LH inboard)	All	1
	1-19817-2		Cup—Fuel strainer (RH inboard)	All	1
7	55-7348-401		Hose	All	2
	6-10132		Installation—Fuel shut-off valve (LH)	All	NP
	6-10132-1		Installation—Fuel shut-off valve (RH)	All	NP
	6-10131		Installation—Inboard fuel shut-off valve (LH)	All	NP
	6-10131-1		Installation—Inboard fuel shut-off valve (RH)	All	NP
8	6-10132-2		Unit Assembly—Shut-off valve (LH)	All	1
	6-10132-3		Unit Assembly—Shut-off valve (RH)	All	1
9	6-10131-2		Unit Assembly—Fuel shut-off valve (LH)	All	1
	6-10131-3		Unit Assembly—Fuel shut-off valve (RH)	All	1
10	2660		Valve Assembly—Fuel shut-off (Electricmatic)	All	1
11	AN840-16		Adapter—Hose to pipe thread	All	1
12	AN844-16		Elbow—45 degree pipe thread hose (outboard)	All	1
	AN842-16		Elbow—90 degree pipe thread hose (inboard)	All	2
13	55-7348-400		Hose	All	1
14	15-7348-117		Tube Assembly (LH)	All	1
	15-7348-119		Tube Assembly (RH)	All	1
15	1-20071-1		Elbow—Special 90 degree one inch hose	E	2
	*3-24626		Elbow—Special 90 degree one inch hose	PE	2
16	15-7348-3		Hose	ZA	2
	15-9471-39		Hose	VK	2
17	55-7348-402		Hose	All	2
18	55-7348-403		Hose	All	2
19	15-9471-2		Tee Assembly	All	2
20	1-24222-28		Tee	All	1
21	1-18619		Extension—Tank drain	All	1
22	AN900-16		Gasket—Copper annular	All	1
23	908-16		Plug—Square head	All	1
24	AN771-2		Cock—Screw type drain	All	1
25	15-7348-115		Hose	All	2
26	15-7348-114		Tube Assembly	All	4
27	TFD12000		Pump Assembly—Fuel booster (Thompson) (see T.O. 03-10EC-4)	E	2
28	15-7348-125		Tube	PE	2
	*3-24642		Tube—1 in. outside diameter	All	2
29	15-7348-122		Hose	E	2
30	15-7348-124		Tube	PE	2
	*3-24429		Sleeve	ZA	2
31	15-7348-1		Hose	VK	2
	15-9471-38		Hose	E	2
32	1-20072-2		Elbow—Special 30 degree 1 1-4 hose	PE	2
	*3-25297		Elbow—Special 30 degree 1 1-4 hose	All	NP
	15-11692		Installation—Transmitter (nacelle no. 1)	All	NP
	15-11695		Installation—Transmitter (nacelle no. 4)	All	NP
	15-11693		Installation—Transmitter (nacelle no. 2)	All	NP
	15-11694		Installation—Transmitter (nacelle no. 3)	All	NP
33	15-11692-3		Tube Assembly—Fuel pressure (nacelle no. 1)	WB	1
	15-11692-6		Tube Assembly—Fuel pressure (nacelle no. 1)	MN	1
	15-11692-9		Tube Assembly—Fuel pressure (nacelle no. 1)	MP	1
	15-11695-3		Tube Assembly—Fuel pressure (nacelle no. 4)	WB	1
	15-11695-7		Tube Assembly—Fuel pressure (nacelle no. 4)	MN	1
	15-11695-10		Tube Assembly—Fuel pressure (nacelle no. 4)	MP	1
34	15-11693-3		Tube Assembly—Fuel pressure (nacelle no. 2)	WB	1
	15-11693-6		Tube Assembly—Fuel pressure (nacelle no. 2)	QN	1
	15-11694-3		Tube Assembly—Fuel pressure (nacelle no. 3)	WB	1
	15-11694-9		Tube Assembly—Fuel pressure (nacelle no. 3)	MN	1
	15-11694-12		Tube Assembly—Fuel pressure (nacelle no. 3)	MP	1
	15-11692-1		Transmitter Assembly—Fuel (nacelle no. 1)	WB	1
	15-11693-1		Transmitter Assembly—Fuel (nacelle no. 2)	WB	1
	15-11694-1		Transmitter Assembly—Fuel (nacelle no. 3)	WB	1
	15-11695-1		Transmitter Assembly—Fuel (nacelle no. 4)	WB	1
	6-18301-2		Transmitter Assembly (nacelle no. 1, 2 and 3)	MN	1
	6-18301-8		Transmitter Assembly (nacelle no. 1, 2 and 3)	MP	1
	6-18301		Transmitter Assembly (nacelle no. 4)	MN	1
	6-18301-7		Transmitter Assembly (nacelle no. 4)	MP	1
	6-18301-4		Transmitter Assembly—Fuel	MN	1
	6-18301-6		Transmitter Assembly—Fuel	MP	1
35	NO NUMBER		Transmitter—Pres (type A-1) (Spec 27383-A) GFE	WB	1
	NO NUMBER		Transmitter—Pres (type A-1) (Spec 27383-A) GFE	QN	1
	6-18300		Bracket Assembly—Transmitter	QN	1
36	53-11715		Installation—Oil dilution valve (outboard) (see fig. 30)	All	NP
37	43-11714-5		Installation—Oil dilution valve (LH inboard) (see fig. 30)	All	NP
	43-11714-6		Installation—Oil dilution valve (RH inboard) (see fig. 30)	All	NP
	15-10408		Installation—Wing fuel tank	All	NP
38	15-7029-2		Hose—Vent	ZA	1
	15-10408-8		Hose—Vent	VK	1

*These parts may be procured together by ordering Kit No. 2375.

Section I I
Group Assembly Parts List

T.O. 1B-17G-4

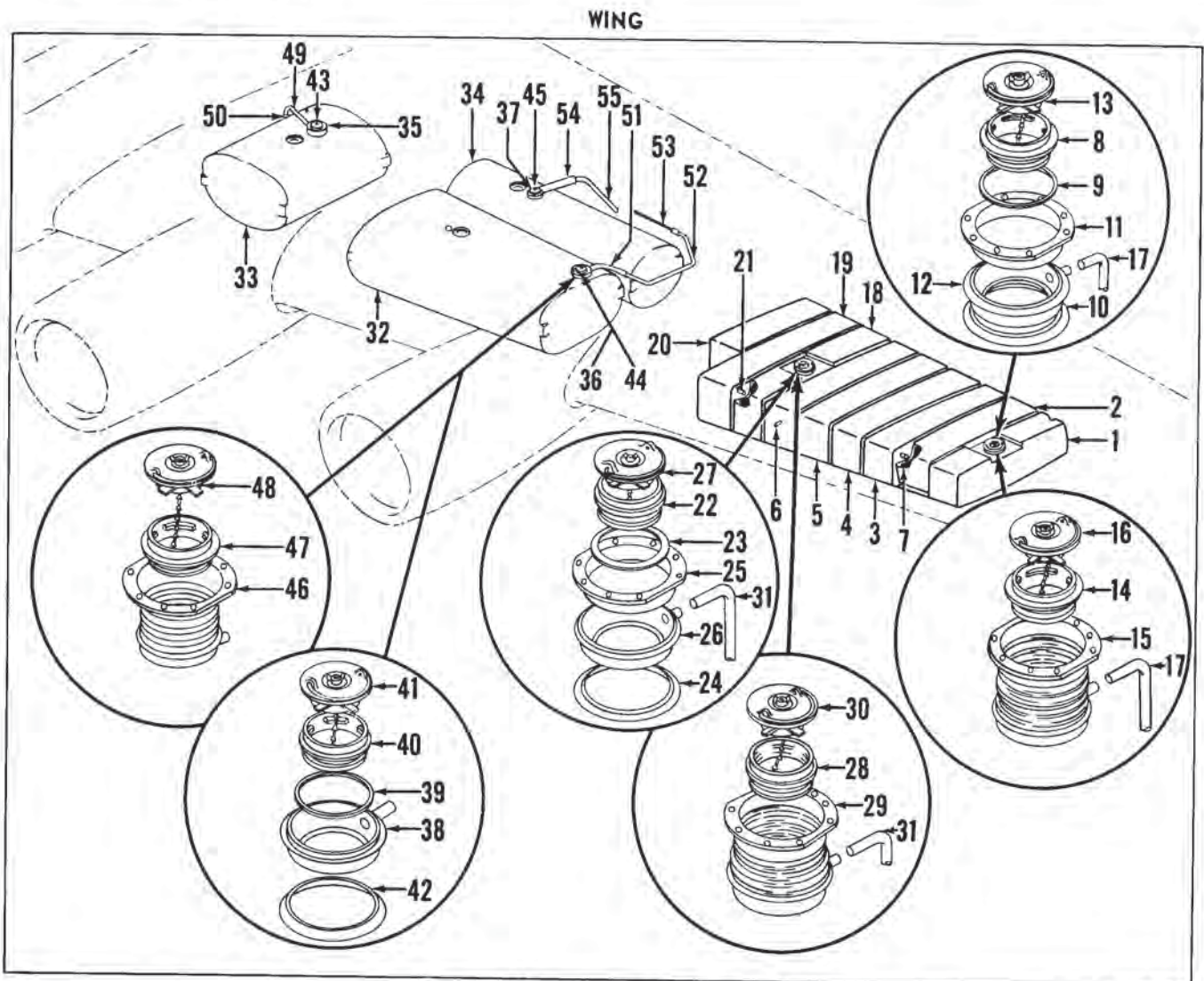


Figure 24—Wing Fuel Tanks

6. 4. 0 - 4 - 1

Wing Fuel Tanks

Figure & Index No.	Part Number	1 2 3 4 5 6 7	Nomenclature	Usage Code	Units Per Assy.
	15-10390		Wing Fuel Tanks		
	15-10390-1		Installation—Outboard wing tank (LH)	All	NP
	15-10391		Installation—Outboard wing tank (RH)	All	NP
	15-10391-1		Tank Assembly—Outboard wing fuel (LH)	CD	1
	15-13711		Tank Assembly—Outboard wing fuel (RH)	CD	1
	15-13711-1		Tank Assembly—Outboard wing fuel (LH)	LQ	1
24-1	2F1-6-2831		Tank Assembly—Outboard wing fuel (RH)	LQ	1
	2F1-6-2831-1		Tank (LH) (Goodyear)	CD	1
	2F1-6-7241		Tank (RH) (Goodyear)	CD	1
	2F1-6-7241-1		Tank (LH) (Goodyear)	LQ	1
	15-10392		Tank Assembly—Outboard wing fuel (RH)	CD	1
	15-10392-1		Tank Assembly—Outboard wing fuel (LH)	CD	1
	15-13712		Tank Assembly—Outboard wing fuel (RH)	CD	1
	15-13412-1		Tank Assembly—Outboard wing fuel (LH)	LQ	1
2	2F1-6-2832		Tank Assembly—Outboard wing fuel (RH)	LQ	1
	2F1-6-2832-1		Tank (LH) (Goodyear)	CD	1
	2F1-6-7242		Tank (RH) (Goodyear)	CD	1
	2F1-6-7242-1		Tank (LH) (Goodyear)	LQ	1
	15-10393		Tank Assembly—Outboard wing fuel (RH)	LQ	1
	15-10393-1		Tank Assembly—Outboard wing fuel (LH)	CD	1
	15-13713		Tank Assembly—Outboard wing fuel (RH)	CD	1
	15-13713-1		Tank Assembly—Outboard wing fuel (LH)	LQ	1
3	2F1-6-2833		Tank Assembly—Outboard wing fuel (RH)	LQ	1
	2F1-6-2833-1		Tank (LH) (Goodyear)	CD	1
	2F1-6-7243		Tank (RH) (Goodyear)	CD	1
	2F1-6-7243-1		Tank (LH) (Goodyear)	LQ	1
	15-10394		Tank Assembly—Outboard wing fuel (RH)	LQ	1
	15-10394-1		Tank Assembly—Outboard wing fuel (LH)	CD	1
	15-13714		Tank Assembly—Outboard wing fuel (RH)	CD	1
	15-13714-1		Tank Assembly—Outboard wing fuel (LH)	LQ	1

WING
Wing Fuel Tanks

Figure & Index No.	Part Number	1	2	3	4	5	6	7	Nomenclature	Usage Code	Units Per Assy.	
24-4	2F1-6-2834								Tank (LH) (Goodyear)	CD	1	
	2F1-6-2834-1								Tank (RH) (Goodyear)	CD	1	
	2F1-6-7244								Tank (LH) (Goodyear)	LQ	1	
	2F1-6-7244-1								Tank (RH) (Goodyear)	LQ	1	
	15-10395								Tank Assembly—Outboard wing fuel (LH)	CD	1	
	15-10395-1								Tank Assembly—Outboard wing fuel (RH)	CD	1	
	15-13715								Tank Assembly—Outboard wing fuel (LH)	LQ	1	
	15-13715-1								Tank Assembly—Outboard wing fuel (RH)	LQ	1	
	5	2F1-6-2835								Tank (LH) (Goodyear)	CD	1
		2F1-6-2835-1								Tank (RH) (Goodyear)	CD	1
2F1-6-7245									Tank (LH) (Goodyear)	LQ	1	
2F1-6-7245-1									Tank (RH) (Goodyear)	LQ	1	
15-10396									Tank Assembly—Outboard wing fuel (LH)	CD	1	
15-10396-1									Tank Assembly—Outboard wing fuel (RH)	CD	1	
15-13716									Tank Assembly—Outboard wing fuel (LH)	LQ	1	
15-13716-1									Tank Assembly—Outboard wing fuel (RH)	LQ	1	
6		2F1-6-2836								Tank (LH) (Goodyear)	CD	1
		2F1-6-2836-1								Tank (RH) (Goodyear)	CD	1
	2F1-6-7246								Tank (LH) (Goodyear)	LQ	1	
	2F1-6-7246-1								Tank (RH) (Goodyear)	LQ	1	
7	1-27173								Tube—Interconnector	CD	4	
	1-27173-1								Tube—Interconnector	LQ	4	
8	3-13613-12								Nut Assembly—Tank filler unit	ER	1	
	1-20016								Gasket—Annular	ER	1	
9	6-13153								Adapter Assembly—Overflow (LH)	ER	1	
	6-13153-1								Adapter Assembly—Overflow (RH)	ER	1	
10	3-9351								Clamp Assembly—Overflow pan adapter	ER	1	
	3-19046								Adapter—Overflow pan	ER	1	
11	3-19030								Pan Assembly—Fuel tank overflow	ER	1	
	3-20757-7								Cap Assembly—Filler unit	FR	1	
12	3-20757-3								Cap Assembly—Filler unit	FR	1	
	6-20769-4								Cap Installation—Tank filler	FR	1	
13	3-13613-12								Nut Assembly—Tank filler unit	FR	1	
	6-20732								Fitting Assembly—Fuel tank overflow	FR	1	
14	3-20757-3								Cap Assembly—Filler unit	FR	1	
	15-10390-2								Tube (overflow drain) (LH)	AIH	1	
15	15-10390-3								Tube (overflow drain) (RH)	AIH	1	
	15-10400								Installation—Inboard wing tank (LH)	AIH	NP	
16	15-10400-1								Installation—Inboard wing tank (RH)	AIH	NP	
	15-3097								Tank Assembly—Inboard wing fuel (LH)	CD	1	
17	15-3097-1								Tank Assembly—Inboard wing fuel (RH)	CD	1	
	15-13717								Tank Assembly—Outboard wing fuel (LH)	LQ	1	
18	15-13717-1								Tank Assembly—Outboard wing fuel (RH)	LQ	1	
	2F1-6-2837								Tank (LH) (Goodyear)	CD	1	
19	2F1-6-2837-1								Tank (RH) (Goodyear)	CD	1	
	2F1-6-7247								Tank (LH) (Goodyear)	LQ	1	
20	2F1-6-7247-1								Tank (RH) (Goodyear)	LQ	1	
	15-10398								Tank Assembly—Inboard wing fuel (LH)	CD	1	
21	15-10398-1								Tank Assembly—Inboard wing fuel (RH)	CD	1	
	15-13718								Tank Assembly—Outboard wing fuel (LH)	LQ	1	
22	15-13718-1								Tank Assembly—Outboard wing fuel (RH)	LQ	1	
	2F1-6-2838								Tank (LH) (Goodyear)	CD	1	
23	2F1-6-2838-1								Tank (RH) (Goodyear)	CD	1	
	2F1-6-7248								Tank (LH) (Goodyear)	LQ	1	
24	2F1-6-7248-1								Tank (RH) (Goodyear)	LQ	1	
	15-10399								Tank Assembly—Inboard wing fuel (LH)	CD	1	
25	15-10399-1								Tank Assembly—Inboard wing fuel (RH)	CD	1	
	15-13719								Tank Assembly—Outboard wing fuel (LH)	LQ	1	
26	15-13719-1								Tank Assembly—Outboard wing fuel (RH)	LQ	1	
	2F1-6-2839								Tank (LH) (Goodyear)	CD	1	
27	2F1-6-2839-1								Tank (RH) (Goodyear)	CD	1	
	2F1-6-7249								Tank (LH) (Goodyear)	LQ	1	
28	2F1-6-7249-1								Tank (RH) (Goodyear)	LQ	1	
	1-12713-1								Tube—Interconnector	ER	1	
29	3-13613-11								Nut Assembly—Tank filler unit	ER	1	
	1-20016								Gasket—Annular	ER	1	
30	6-13153								Adapter Assembly—Overflow (LH)	ER	1	
	6-13153-1								Adapter Assembly—Overflow (RH)	ER	1	
31	3-9351								Clamp Assembly—Overflow pan adapter	ER	1	
	3-19046								Adapter—Overflow pan	ER	1	
32	3-19030								Pan Assembly—Fuel tank overflow	ER	1	
	3-20757-7								Cap Assembly—Filler unit	FR	1	
33	6-20769-3								Cap Installation—Tank filler	FR	1	
	3-13613-11								Nut Assembly—Tank filler unit	FR	1	
34	6-20732								Fitting Assembly—Fuel tank overflow	FR	1	
	3-20757-3								Cap Assembly—Filler unit	FR	1	
35	15-10400-2								Tube (overflow drain) (LH)	AIH	1	
	15-10400-3								Tube (overflow drain) (RH)	AIH	1	
36	15-10408								Installation—Wing fuel tank (LH)	AIH	NP	
	15-10408-1								Installation—Wing fuel tank (RH)	AIH	NP	
37	9-5327								Tank Assembly—Engine No. 1 fuel	ZA	1	
	9-5327-1								Tank Assembly—Engine No. 4 fuel	ZA	1	
38	15-13050								Tank Assembly—Engine No. 1 fuel	VK	1	
	15-13050-1								Tank Assembly—Engine No. 4 fuel	VK	1	
39	2F1-6-3602								Tank (LH) (Goodyear)	ZA	1	
	2F1-6-3602-1								Tank (RH) (Goodyear)	ZA	1	
40	2F1-6-7153								Tank (LH) (Goodyear)	VK	1	
	2F1-6-7153-1								Tank (RH) (Goodyear)	VK	1	
41	9-3769								Tank Assembly—Engine No. 2 fuel	ZA	1	
	9-3769-1								Tank Assembly—Engine No. 3 fuel	ZA	1	
42	15-13049								Tank Assembly—Engine No. 2 fuel	VK	1	
	15-13049-1								Tank Assembly—Engine No. 3 fuel	VK	1	
43	2F1-6-1426								Tank (LH) (Goodyear)	ZA	1	
	2F1-6-1426-1								Tank (RH) (Goodyear)	ZA	1	
44	2F1-6-7154								Tank (LH) (Goodyear)	VK	1	
	2F1-6-7154-1								Tank (RH) (Goodyear)	VK	1	
45	9-5326								Tank Assembly—Fuel feeder (LH)	ZA	1	
	9-5326-1								Tank Assembly—Fuel feeder (RH)	ZA	1	
46	15-13048								Tank Assembly—Fuel feeder (LH)	VK	1	
	15-13048-1								Tank Assembly—Fuel feeder (RH)	VK	1	

Page intentionally blank.

WING
Wing Fuel Tanks

Figure & Index No.	Part Number	1 2 3 4 5 6 7							Nomenclature	Usage Code	Units	
								Per			Assy.	
24-34	2F1-6-3603								Tank (LH) (Goodyear)	ZA	1	
	2F1-6-3603-1								Tank (RH) (Goodyear)	ZA	1	
	2F1-6-7152								Tank (LH) (Goodyear)	VK	1	
	2F1-6-7152-1								Tank (RH) (Goodyear)	VK	1	
		6-14061							Installation—Tank filler cap (eng No. 2 and 3 tank)	ER	NP	
35	6-14061-1							Installation—Tank filler cap (eng No. 1 and 4 tank)	ER	NP		
36	6-14061-2							Installation—Tank filler cap (fuel feeder tank)	ER	NP		
37	3-9287							Pan Assembly—Fuel tank overflow	ER	1		
38	1-20016							Gasket—Annular	ER	1		
39	3-13613-13							Nut Assembly—Tank filler unit (eng no. 2 and 3 tank)	ER	1		
40	3-13613-12							Nut Assembly—Tank filler unit (eng no. 1 and 4 tank)	ER	1		
	3-13613-11							Nut Assembly—Tank filler unit (fuel feeder tank)	ER	1		
		3-20757						Cap Assembly—Tank filler unit (eng no. 2 and 3 tank)	ER	1		
41	3-20757-1							Cap Assembly—Tank filler unit (eng no. 1 and 4 tank)	ER	1		
	3-20757-2							Cap Assembly—Tank filler unit (fuel feeder tank)	ER	1		
42	3-9351							Clamp Assembly—Overflow pan adapter	ER	1		
43	6-20769							Cap Installation—Tank filler (eng no. 2 and 3 tank)	FR	NP		
44	6-20769-1							Cap Installation—Tank filler (eng no. 1 and 4 tank)	FR	NP		
45	6-20769-2							Cap Installation—Tank filler (fuel feeder tank)	FR	NP		
46	6-20732							Fitting Assembly—Fuel tank overflow	FR	1		
47	3-13613-13							Nut Assembly—Tank filler unit (eng no. 1 and 4 tank)	FR	1		
	3-13613-12							Nut Assembly—Tank filler unit (eng no. 2 and 3 tank)	FR	1		
	3-13613-11							Nut Assembly—Tank filler unit (fuel feeder tank)	FR	1		
48	3-20757							Cap Assembly—Filler unit (eng no. 1 and 4 tank)	FR	1		
	3-20757-1							Cap Assembly—Filler unit (eng no. 2 and 3 tank)	FR	1		
49	3-20757-2							Cap Assembly—Filler unit (fuel feeder tank)	FR	1		
50	AN884-10-84							Hose—Resistant synthetic	All	1		
51	15-7029-8							Tube—Overflow	QB	1		
	15-10408-6							Tube—Overflow	XM	1		
52	AN884-10-80							Hose—Resistant synthetic	All	1		
	15-10408-3							Tube Assembly—Overflow (LH)	All	1		
53	15-7029-16							Tube—Overflow (RH)	All	1		
	15-10408-2							Tube Assembly—Overflow (LH)	All	1		
54	15-7029-18							Tube—Overflow (RH)	All	1		
	AN884-10-72							Hose—Resistant synthetic	All	1		
55	15-7029-9							Tube—Overflow	All	1		
	15-7029-11							Tube—Overflow	All	1		

Section II
Group Assembly Parts List

AN 01-20EG-4

WING

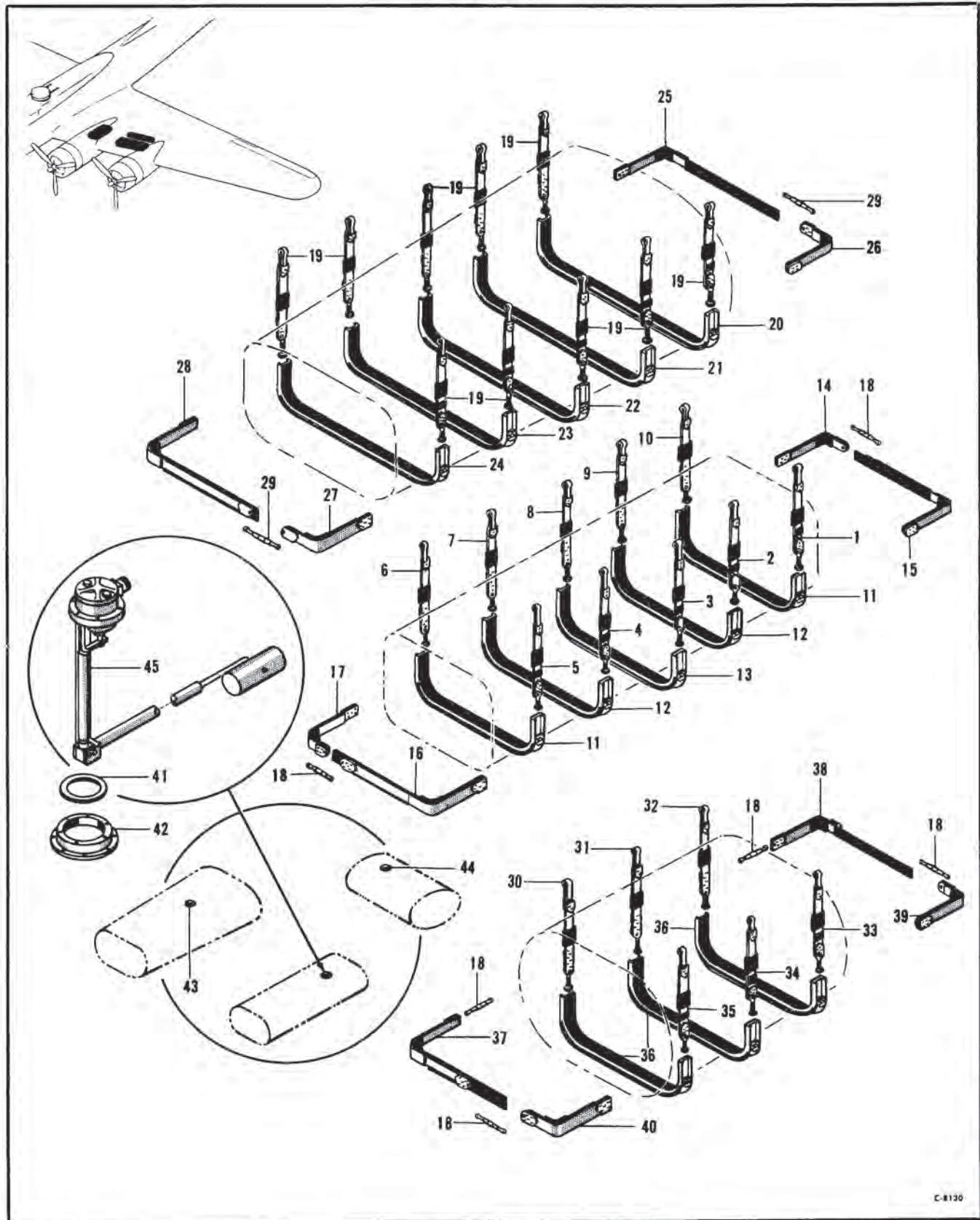


Figure 25—Wing Tank Supports

AN 01-20EG-4

WING

Wing Tank Supports

Figure & Index No.	Part Number	1 2 3 4 5 6 7	Nomenclature	Usage Code	Units Per Assy.
			Wing Tank Supports		
			Installation—Wing fuel tank		
	15-10408		Strap Assembly—Fuel tank support (feeder)	All	NP
25-1	6-10694-13		Strap Assembly—Fuel tank support (feeder)	All	1
2	6-10694-15		Strap Assembly—Fuel tank support (feeder)	All	1
3	6-10694-17		Strap Assembly—Fuel tank support (feeder)	All	1
4	6-10694-19		Strap Assembly—Fuel tank support (feeder)	All	1
5	6-10694-21		Strap Assembly—Fuel tank support (feeder)	All	1
6	6-10694-11		Strap Assembly—Fuel tank support (feeder)	All	1
7	6-10694-9		Strap Assembly—Fuel tank support (feeder)	All	1
8	6-10694-7		Strap Assembly—Fuel tank support (feeder)	All	1
9	6-10694-5		Strap Assembly—Fuel tank support (feeder)	All	1
10	6-10694-3		Strap Assembly—Fuel tank support (feeder)	All	1
11	6-8969-5		Beam Assembly—Fuel tank support (feeder)	All	2
12	6-8969-500		Beam Assembly—Fuel tank support (feeder)	All	2
13	6-9597-3		Beam Assembly—Fuel tank support (feeder)	All	1
14	3-13453-5		Strap Assembly—Fuel tank end brace (feeder)	All	1
15	3-13457-5		Strap Assembly—Fuel tank end brace (feeder)	All	1
16	3-13451-5		Strap Assembly—Fuel tank end brace (feeder)	All	1
17	3-1300-5		Strap Assembly—Fuel tank end brace (feeder)	All	1
18	AN150-21S		Turnbuckle Assembly—Fork	All	6
	AN703-1500		Tie Rod—Internal	All	4
	AN703-1350		Tie Rod—Internal	All	4
	AN665-21L		Terminal—Clevis type (LH)	All	8
	AN665-21R		Terminal—Clevis type (RH)	All	8
	AN315-3L		Nut—Aircraft plain (LH)	All	8
	AN315-3R		Nut—Aircraft plain (RH)	All	8
19	6-10694-1		Strap Assembly—Fuel tank support (outboard engine tanks)	All	10
20	7-1521-6		Beam Assembly—Fuel tank support (LH outboard engine tank)	All	1
	7-1521-7		Beam Assembly—Fuel tank support (RH outboard engine tank)	All	1
21	7-1520-5		Beam Assembly—Fuel tank support (LH outboard engine tank)	All	1
	7-1520-6		Beam Assembly—Fuel tank support (RH outboard engine tank)	All	1
22	7-1509-4		Beam Assembly—Fuel tank support (LH outboard engine tank)	All	1
	7-1509-5		Beam Assembly—Fuel tank support (RH outboard engine tank)	All	1
23	7-1519-6		Beam Assembly—Fuel tank support (LH outboard engine tank)	All	1
	7-1519-7		Beam Assembly—Fuel tank support (RH outboard engine tank)	All	1
24	7-1500-42		Beam Assembly—Fuel tank support (LH outboard engine tank)	All	1
	7-1500-43		Beam Assembly—Fuel tank support (RH outboard engine tank)	All	1
25	6-9593		Strap Assembly—Fuel tank end brace (outboard engine tanks)	All	1
26	3-13902		Strap Assembly—Fuel tank end brace (outboard engine tanks)	All	1
27	3-13901		Strap Assembly—Fuel tank end brace (outboard engine tanks)	All	1
28	6-9592		Strap Assembly—Fuel tank end brace (outboard engine tanks)	All	1
29	AN150-32S		Turnbuckle Assembly—Fork	All	2
	AN704-1500		Tie Rod—Internal	All	7
	AN704-1575		Tie Rod—Internal	All	1
	AN665-34L		Terminal—Clevis type (LH)	All	8
	AN665-34R		Terminal—Clevis type (RH)	All	8
	AN315-4L		Nut—Aircraft plain (LH)	All	8
	AN315-4R		Nut—Aircraft plain (RH)	All	8
30	6-10693-1		Strap Assembly—Fuel tank support (inboard engine tanks)	All	1
31	6-10693-3		Strap Assembly—Fuel tank support (inboard engine tanks)	All	1
32	6-10693-5		Strap Assembly—Fuel tank support (inboard engine tanks)	All	1
33	6-10693-11		Strap Assembly—Fuel tank support (inboard engine tanks)	All	1
34	6-10693-9		Strap Assembly—Fuel tank support (inboard engine tanks)	All	1
35	6-10693-7		Strap Assembly—Fuel tank support (inboard engine tanks)	All	1
36	46-8978		Beam Assembly—Fuel tank support (inboard engine tanks)	All	3
37	3-13491-4		Strap Assembly—Fuel tank end brace (inboard engine tanks)	All	1
38	3-13490-4		Strap Assembly—Fuel tank end brace (inboard engine tanks)	All	1
39	3-13464-5		Strap Assembly—Fuel tank end brace (inboard engine tanks)	All	1
40	3-13467-5		Strap Assembly—Fuel tank end brace (inboard engine tanks)	All	1
	AN703-1900		Tie Rod—Internal	All	1
	AN703-2150		Tie Rod—Internal	All	1
	AN665-21L		Terminal—Clevis type (LH)	All	4
	AN665-21R		Terminal—Clevis type (RH)	All	4
	AN315-3L		Nut—Aircraft plain (LH)	All	4
	AN315-3R		Nut—Aircraft plain (RH)	All	4
41	1-18437-1		Gasket	All	3
42	3-14658		Plate	All	3
43	EA15-10		Unit Assembly—Fuel gage (Liquidometer)	RF	1
	EA15W		Unit Assembly—Fuel gage (Liquidometer)	K	1
44	EA15-11		Unit Assembly—Fuel gage (Liquidometer)	NG	1
	EA15W		Unit Assembly—Fuel gage (Liquidometer)	T	1
45	EA15-12		Unit Assembly—Fuel gage (Liquidometer)	DG	1
	EA15W		Unit Assembly—Fuel gage (Liquidometer)	S	1

Section I I
Group Assembly Parts List

AN 01-20EG-4

WING

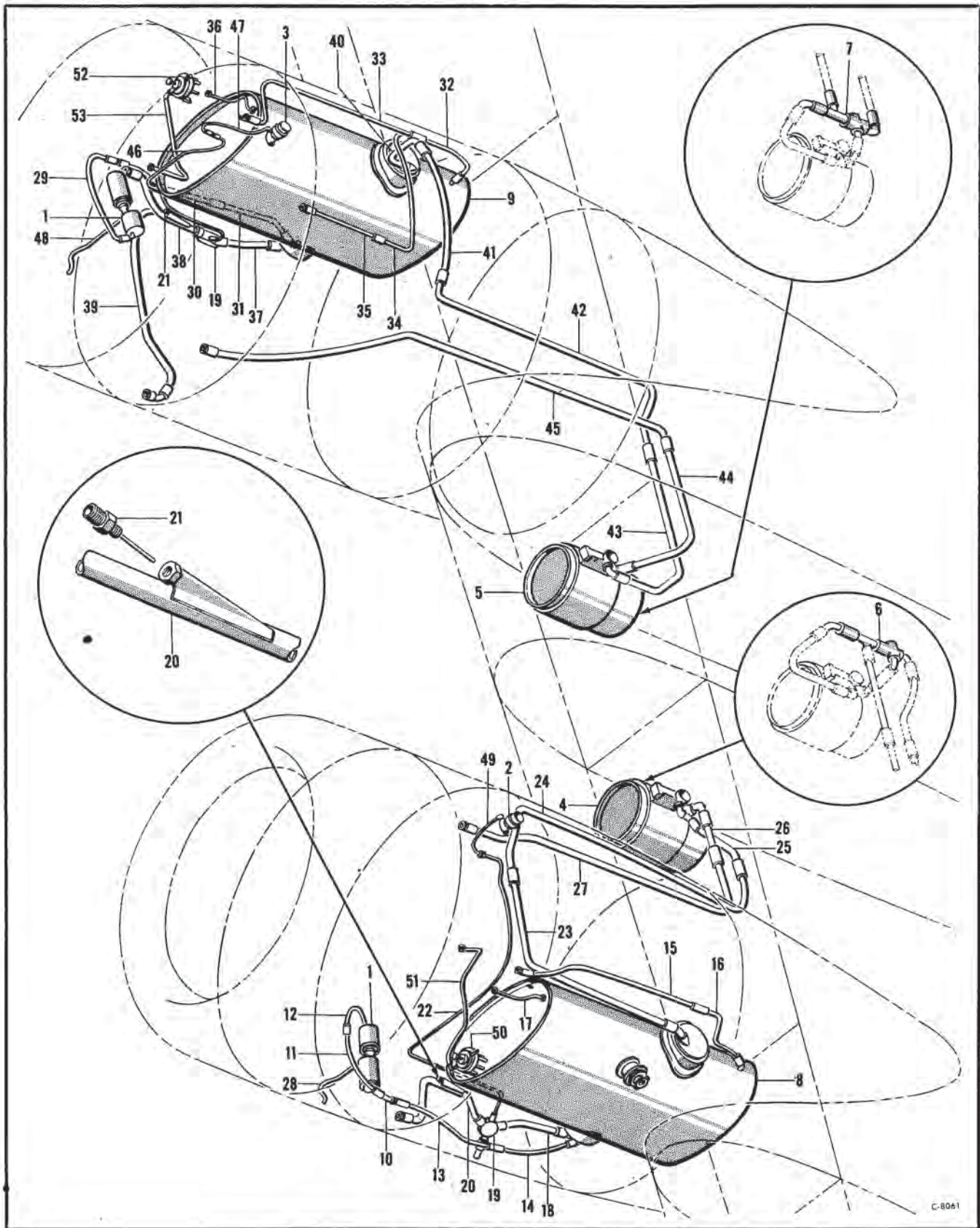


Figure 26—LH Wing Oil System

WING
LH Wing Oil System

Figure & Index No.	Part Number	1	2	3	4	5	6	7	Nomenclature	Usage Code	Units Per Assy.
	15-9470								LH Wing Oil System		
	15-9470-50								Installation—Oil system	All	NP
	15-14787								Pump Assembly—Propeller feathering (no. 1 engine)	SA	1
	15-14787-1								Pump Assembly—Propeller feathering (no. 1 engine)	TJ	1
	15-14787-4								Pump Assembly—Propeller feathering (no. 1 engine)	DL	1
	15-14787-5								Pump Assembly—Propeller feathering (no. 1 engine)	BM	1
	15-9470-49								Pump Assembly—Propeller feathering (no. 1 engine)	MP	1
	15-14788								Pump Assembly—Propeller feathering (no. 2 engine)	SA	1
	15-14788-1								Pump Assembly—Propeller feathering (no. 2 engine)	TJ	1
	15-14788-4								Pump Assembly—Propeller feathering (no. 2 engine)	DL	1
	15-14788-5								Pump Assembly—Propeller feathering (no. 2 engine)	BM	1
									Pump Assembly—Propeller feathering (no. 2 engine)	MP	1
26-1	1E-VR280BRC								Motor and Pump (Hamilton) GFE	All	1
2	53-11715								Installation—Oil dilution valve (LH outboard) (see fig. 30)	All	NP
3	43-11714-5								Installation—Oil dilution valve (LH inboard) (see fig. 30)	All	NP
4	15-7772								Installation—Oil temperature regulator (LH outboard) (see fig. 29)	All	NP
5	15-7773								Installation—Oil temperature regulator (LH inboard) (see fig. 29)	All	NP
6	15-12943								Installation—OH surge valve (nacelle no. 1) (see fig. 30)	BG	NP
7	15-12944								Installation—Oil surge valve (nacelle no. 2) (see fig. 30)	BG	NP
8	15-8541								Installation—Oil tank (LH outboard) (see fig. 28)	All	NP
9	15-8522								Installation—Oil tank (LH inboard) (see fig. 28)	All	NP
10	3-25257								Fitting Assembly—Propeller feathering line (no. 1 engine)	RL	1
11	15-9470-237								Tube Assembly	RL	1
	15-9470-238								Tube Assembly	AM	1
	15-9470-251								Tube Assembly	IP	1
12	15-9470-250								Tube Assembly	CM	1
13	15-9470-194								Tube Assembly	KL	1
	15-9470-239								Tube Assembly	CM	1
14	15-9470-195								Tube Assembly	RL	1
	15-9470-240								Tube Assembly	CM	1
15	55-6242-49								Tube Assembly	All	1
16	65-6242-620								Tube Assembly	UC	1
	15-9470-217								Tube Assembly	YP	1
17	65-6242-616								Tube Assembly	UC	1
	AN878-8-28								Hose—Synthetic	YP	1
18	65-6242-608								Tube Assembly	All	1
19	K1400B5-1								Cock Assembly—"Y" (Koehler) (37D6114-5)	All	2
20	65-6242-666								Tube Assembly—Weld	All	1
21	AN5525-2								Bulb—Resistance	All	2
22	65-6242-604								Tube Assembly	All	1
23	65-6242-679								Tube Assembly	E	1
	15-9470-124								Tube Assembly	ZE	1
24	65-6242-677								Tube Assembly	E	1
	15-9470-136								Tube Assembly	KE	1
	15-9470-125								Tube Assembly	CG	1
25	15-9470-31								Tube Assembly	R	1
	15-9470-94								Tube Assembly	HO	1
26	15-9470-30								Tube Assembly	R	1
	15-9470-95								Tube Assembly	HO	1
27	15-9470-29								Tube Assembly	R	1
	15-9470-126								Tube Assembly	CG	1
28	55-6242-90								Tube Assembly	LC	1
	15-9470-254								Tube Assembly—Drain	MP	1
29	15-9470-207								Tube Assembly	RL	1
	15-9470-241								Tube Assembly	CM	1
30	15-9470-208								Tube Assembly	RL	1
	15-9470-242								Tube Assembly	CM	1
31	15-9470-209								Tube Assembly	KL	1
	15-9470-243								Tube Assembly	CM	1
32	65-6242-621								Tube Assembly	UC	1
	15-9470-217								Tube Assembly	YP	1
33	15-9470-632								Tube Assembly	GC	1
34	15-9470-227								Tube Assembly	RO	1
35	15-9470-226								Tube Assembly	RO	1
36	65-6242-617								Tube Assembly	UC	1
	AN878-8-25								Hose—Synthetic	YP	1
37	65-6242-676								Tube Assembly	T	1
	65-6242-67								Tube Assembly	NG	1
38	65-6242-667								Weld Assembly	T	1
	15-9470-142								Weld Assembly	NG	1
39	15-9470-143								Tube Assembly	NG	1
40	15-9470-24								Tube Assembly	All	1
41	65-6242-674								Tube Assembly	All	1
42	65-6242-673								Tube Assembly	R	1
	65-6242-130								Tube Assembly	BG	1
	65-6242-153								Tube Assembly	HO	1
43	65-6242-22								Tube Assembly	R	1
	65-6242-154								Tube Assembly	HO	1
44	65-6242-21								Tube Assembly	R	1
	65-6242-152								Tube Assembly	HO	1
45	65-6242-23								Tube Assembly	R	1
	65-6242-132								Tube Assembly	BG	1
	65-6242-108								Tube Assembly	HO	1
46	65-6242-605								Tube Assembly	T	1
	65-6242-69								Tube Assembly	NG	1
47	55-6242-544								Tube Assembly	All	1
48	55-6242-92								Tube Assembly	LC	1
	55-6242-256								Tube Assembly	MP	1
49	15-9470-10								Tube Assembly	All	1
50	15-11692								Installation—Transmitter (nacelle no. 1) (see fig. 28)	All	NP
51	AN878-4-146								Hose—Synthetic (see fig. 190)	All	1
52	15-11693								Installation—Transmitter (nacelle no. 2) (see fig. 28)	All	NP
53	AN878-4-118								Hose—Synthetic (see fig. 191)	All	1

WING

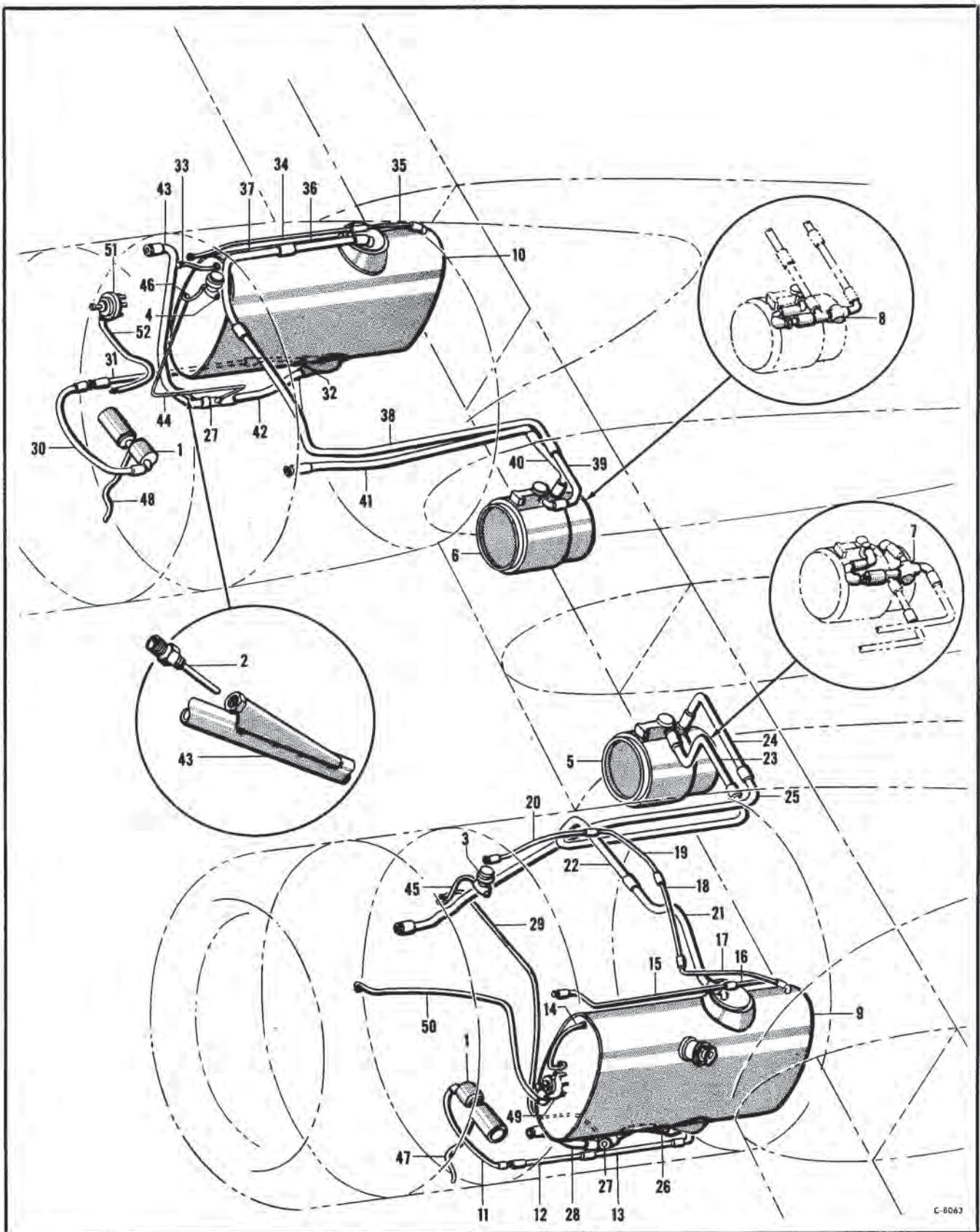


Figure 27—RH Wing Oil System

AN 01-20EG-4

WING

RH Wing Oil System

Figure & Index No.	Part Number	1	2	3	4	5	6	7	Nomenclature	Usage Code	Units Per Assy.
	15-9470								RH Wing Oil System		
	15-9470-48								Installation—Oil system	All	NP
	15-14789								Pump Assembly—Propeller feathering (no. 3 engine)	SA	1
	15-14789-1								Pump Assembly—Propeller feathering (no. 3 engine)	TJ	1
	15-14789-4								Pump Assembly—Propeller feathering (no. 3 engine)	DL	1
	15-14789-5								Pump Assembly—Propeller feathering (no. 3 engine)	BM	1
	15-9470-47								Pump Assembly—Propeller feathering (no. 3 engine)	MP	1
	15-14790								Pump Assembly—Propeller feathering (no. 4 engine)	SA	1
	15-14790-1								Pump Assembly—Propeller feathering (no. 4 engine)	TJ	1
	15-14790-4								Pump Assembly—Propeller feathering (no. 4 engine)	DL	1
	15-14790-5								Pump Assembly—Propeller feathering (no. 4 engine)	BM	1
	15-14790-5								Pump Assembly—Propeller feathering (no. 4 engine)	MP	1
27-1	1E-VR280BRC								Motor and Pump (Hamilton) GFE	All	1
2	AN5525-2								Bulb—Thermometer	All	2
3	43-11714-6								Installation—Oil dilution valve (RH inboard) (see Fig. 30)	All	NP
4	53-11715								Installation—Oil dilution valve (RH outboard) (see Fig. 30)	All	NP
5	15-7773-1								Installation—Oil temperature regulator (RH inboard) (see Fig. 29)	All	NP
6	15-7772-1								Installation—Oil temperature regulator (RH outboard) (see Fig. 29)	All	NP
7	15-12945								Installation—Oil surge valve (nacelle no. 3) (see Fig. 30)	BG	NP
8	15-12946								Installation—Oil surge valve (nacelle no. 4) (see Fig. 30)	BG	NP
9	15-8522-1								Installation—Oil tank (RH inboard) (see Fig. 28)	All	NP
10	15-8541-1								Installation—Oil tank (RH outboard) (see Fig. 28)	All	NP
11	15-9470-199								Tube Assembly	RL	1
	15-9470-244								Tube Assembly	CM	1
12	15-9470-200								Tube Assembly	RL	1
	15-9470-245								Tube Assembly	CM	1
13	15-9470-201								Tube Assembly	RL	1
	15-9470-246								Tube Assembly	CM	1
14	65-6242-618								Tube Assembly	UC	1
15	65-6242-633								Tube Assembly	GC	1
16	65-6242-621								Tube Assembly	UC	1
	15-9470-219								Tube Assembly	YP	1
17	15-9470-234								Tube Assembly	RO	1
18	15-9470-233								Tube Assembly	RO	1
19	15-9470-232								Tube Assembly	RO	1
20	15-9470-231								Tube Assembly	F	1
21	15-9470-59								Tube Assembly	OE	1
	15-9470-137								Tube Assembly	HK	1
	15-9470-221								Tube Assembly	RO	1
	15-9470-235								Tube Assembly	E	1
22	65-6242-688								Tube Assembly	KE	1
	15-9470-133								Tube Assembly	AG	1
	15-9470-127								Tube Assembly	GK	1
	15-9470-222								Tube Assembly	HO	1
23	15-9470-158								Tube Assembly	R	1
	65-6242-690								Tube Assembly	RO	1
	15-9470-159								Tube Assembly	R	1
24	65-6242-689								Tube Assembly	HO	1
	15-9470-157								Tube Assembly	R	1
25	15-9470-51								Tube Assembly	HO	1
	15-9470-128								Tube Assembly	R	1
	15-9470-129								Tube Assembly	CG	1
26	65-6242-686								Tube Assembly	BG	1
	15-9470-68								Tube Assembly	T	1
27	1400B5-1								Cock Assembly—"Y" (Koehler)	NG	1
28	65-6242-668								Tube Assembly—Weld	All	2
	15-9470-64								Tube Assembly—Weld	T	1
29	65-6242-606								Tube Assembly	NG	1
	15-9470-70								Tube Assembly	T	1
	15-9470-223								Tube Assembly	HG	1
30	15-9470-204								Tube Assembly	IL	1
	15-9470-247								Tube Assembly	RL	1
31	15-9470-203								Tube Assembly	CM	1
	15-9470-248								Tube Assembly	RL	1
32	15-9470-202								Tube Assembly	CM	1
	15-9470-249								Tube Assembly	RL	1
33	65-6242-616								Tube Assembly	CM	1
34	55-6242-50								Tube Assembly	UC	1
35	65-6242-622								Tube Assembly	All	1
	15-9470-220								Tube Assembly	UC	1
36	15-9470-44								Tube Assembly	YP	1
37	65-6242-682								Tube Assembly	E	1
	15-9470-131								Tube Assembly (Replaces Index no. 36)	E	1
38	15-9470-58								Tube Assembly	ZE	1
	15-9470-138								Tube Assembly	E	1
	15-9470-134								Tube Assembly	KE	1
39	65-6242-687								Tube Assembly	CG	1
	15-9470-163								Tube Assembly	R	1
40	15-9470-45								Tube Assembly	HO	1
	15-9470-161								Tube Assembly	R	1
41	15-9470-43								Tube Assembly	HO	1
	15-9470-135								Tube Assembly	R	1
42	65-6242-608								Tube Assembly	CG	1
43	65-6242-669								Tube Assembly—Weld	All	1
44	65-6242-607								Tube Assembly	All	1
45	15-9470-4								Tube Assembly	All	1
46	15-9470-10								Tube Assembly	All	1
47	55-6242-93								Tube (drain)	All	1
48	55-6242-91								Tube (drain)	All	1
49	15-11894								Installation—Transmitter (nac no. 3) (see Fig. 28)	All	NP
50	AN878-4-146								Hose—Synthetic (see Fig. 190)	All	1
51	15-11895								Installation—Transmitter (nac no. 4) (see Fig. 28)	All	NP
52	AN878-4-122								Hose—Synthetic (see Fig. 191)	All	1

Section I I
Group Assembly Parts List

AN 01-20EG-4

WING

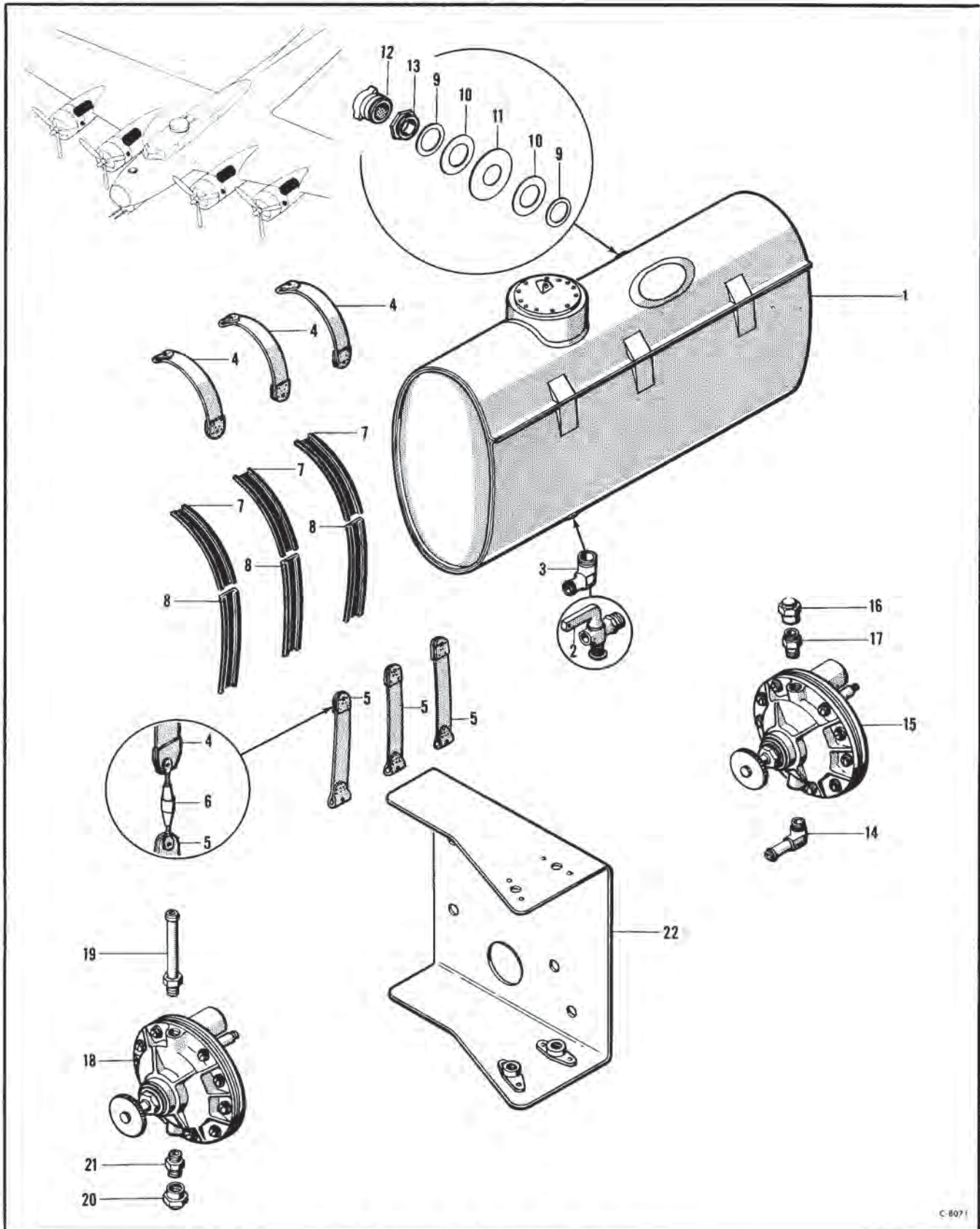


Figure 28—Engine Oil Tank and Oil Transmitter

AN 01-20EG-4

WING

Engine Oil Tank and Oil Transmitter

Figure & Index No.	Part Number	1	2	3	4	5	6	7	Nomenclature	Usage Code	Units Per Assy.
	15-8541								Engine Oil Tank and Oil Transmitter		
	15-8522								Installation—Outboard oil tank (LH) (see fig. 26)	All	NP
	15-8522-1								Installation—Inboard oil tank (LH) (see fig. 26)	All	NP
	15-8541-1								Installation—Inboard oil tank (RH) (see fig. 27)	All	NP
28-1	2F1-1-3074								Installation—Outboard oil tank (RH) (see fig. 27)	All	NP
	2F1-1-3073								Tank Assembly (LH outboard) (Goodyear)	IB	1
	2F1-1-3073-1								Tank Assembly (LH inboard) (Goodyear)	IB	1
	2F1-1-3074-1								Tank Assembly (RH inboard) (Goodyear)	IB	1
	15-8541-4								Tank Assembly (RH outboard) (Goodyear)	IB	1
	15-8541-8								Tank Assembly—LH (outboard)	RL	1
	15-8541-10								Tank Assembly—LH (outboard)	AM	1
	15-8541-6								Tank Assembly—LH (outboard)	HP	1
	15-8522-4								Tank Assembly—LH (outboard)	YP	1
	15-8522-8								Tank Assembly—LH (inboard)	RL	1
	15-8522-10								Tank Assembly—LH (inboard)	AM	1
	15-8522-6								Tank Assembly—LH (inboard)	HP	1
	15-8522-5								Tank Assembly—LH (inboard)	YP	1
	15-8522-9								Tank Assembly—RH (inboard)	RL	1
	15-8522-11								Tank Assembly—RH (inboard)	AM	1
	15-8522-7								Tank Assembly—RH (inboard)	HP	1
	15-8541-5								Tank Assembly—RH (inboard)	YP	1
	15-8541-9								Tank Assembly—RH (outboard)	RL	1
	15-8541-11								Tank Assembly—RH (outboard)	AM	1
	15-8541-7								Tank Assembly—RH (outboard)	HP	1
	9-6883								Tank Assembly—RH (outboard)	YP	1
	9-6883-1								Tank Assembly (LH outboard)	SL	1
	9-6883-2								Tank Assembly (LH inboard)	SL	1
	9-6883-3								Tank Assembly (RH inboard)	SL	1
	2F1-1-3074								Tank Assembly (RH outboard)	SL	1
	2F1-1-3073								Tank Assembly (LH outboard) (Goodyear)	SL	1
	2F1-1-3073-1								Tank Assembly (LH inboard) (Goodyear)	SL	1
	2F1-1-3074-1								Tank Assembly (RH inboard) (Goodyear)	SL	1
	2F1-6-8459-4								Tank Assembly (RH outboard) (Goodyear)	SL	1
	2F1-6-8459-3								Tank Assembly (LH outboard) (Goodyear)	YP	1
	2F1-6-8459-1								Tank Assembly (LH inboard) (Goodyear)	YP	1
	2F1-6-8459-2								Tank Assembly (RH inboard) (Goodyear)	YP	1
2	770A2								Tank Assembly (RH outboard) (Goodyear)	YP	1
	765-3								Cock—Self lock drain	RL	1
3	AN842-16								Cock—Shut off	IP	1
4	3-14933								Elbow—90 degree hose	AM	1
5	3-14985								Strap Assembly—Oil tank	All	3
6	AN150-465								Strap Assembly—Oil tank	All	3
7	1-16056-9-6								Turnbuckle Assembly—Fork	All	3
8	1-16056-19-6								Cushion—Tank support	All	3
9	AN900-41								Cushion—Tank support	All	3
10	BAC1908-31AL								Gasket—Annular copper	All	2
11	1-21424								Washer—Countersunk	All	2
	15-8541-2								Washer—Filler unit	All	1
	15-8522-2								Filler Assembly (outboard)	All	1
	1-22655								Filler Assembly (inboard)	All	1
12	42B3581								Cap Assembly—Oil tank	All	1
13	1-12965								Cap—Tank	All	1
	15-11692								Nut—Tank filler unit	All	1
	15-11693								Installation—Transmitter nacelle no. 1 (see fig. 26)	All	NP
	15-11694								Installation—Transmitter nacelle no. 2 (see fig. 26)	All	NP
	15-11695								Installation—Transmitter nacelle no. 3 (see fig. 27)	All	NP
	15-11692-2								Installation—Transmitter nacelle no. 4 (see fig. 27)	All	NP
	15-11692-7								Transmitter Assembly—Oil (nacelle no. 1)	XA	1
	15-11693-2								Transmitter Assembly—Oil (nacelle no. 1)	NK	1
	15-11693-8								Transmitter Assembly—Oil (nacelle no. 2)	XA	1
	15-11694-2								Transmitter Assembly—Oil (nacelle no. 2)	NK	1
	15-11694-10								Transmitter Assembly—Oil (nacelle no. 3)	XA	1
	15-11695-2								Transmitter Assembly—Oil (nacelle no. 3)	NK	1
	15-11695-8								Transmitter Assembly—Oil (nacelle no. 4)	XA	1
14	NO NUMBER								Transmitter Assembly—Oil (nacelle no. 4)	NK	1
15	AN842-4								Transmitter—Pressure (Spec 27383A Type A-1) GFE	All	1
16	2150H								Elbow—90 degree hose	NK	1
17	AN5832-2								Cap (Rochester)	All	1
	6-18301-3								Valve—Pressure gage lines	All	1
	6-18301-1								Transmitter Assembly—Oil pressure (nacelle nos. 1, 2 and 3)	QN	1
	6-18301-5								Transmitter Assembly—Oil pressure (nacelle no. 4)	QN	1
18	NO NUMBER								Transmitter Assembly—Oil	QN	1
19	AN840-4								Transmitter—Pressure (Spec 27383A Type A-1) GFE	All	1
20	2150H								Nipple—Pipe thread hose	QN	1
21	AN5832-2								Cap (Rochester)	All	1
22	6-18300								Valve—Pressure gage lines	All	1
									Bracket Assembly—Transmitter	QN	1

Section I I
Group Assembly Parts List

AN 01-20EG-4

WING

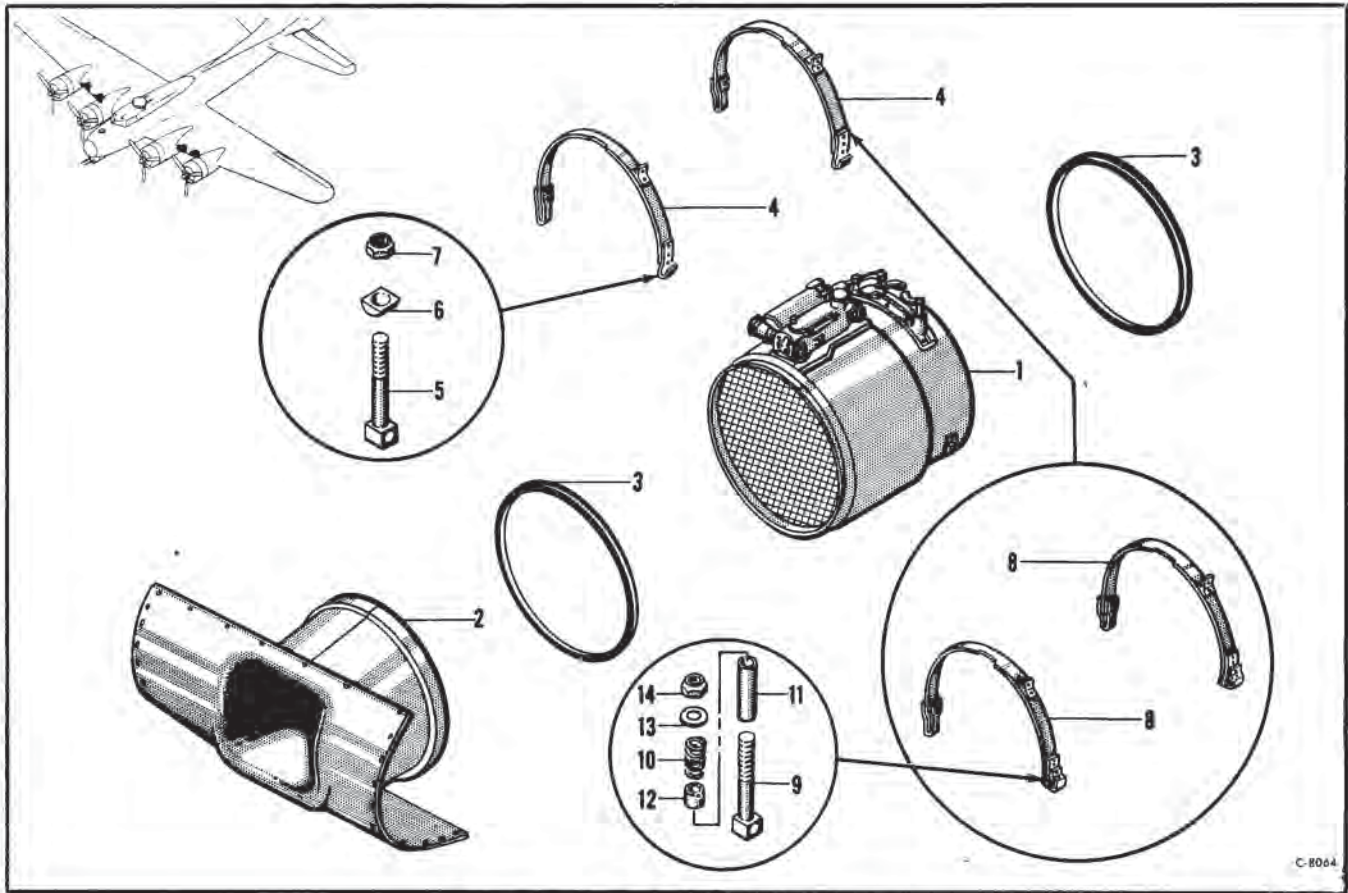


Figure 29—Oil Temperature Regulator

Oil Temperature Regulator

Figure & Index No.	Part Number	1 2 3 4 5 6 7	Nomenclature	Usage Code	Units Per Assy.
	15-7772		Installation—Oil temperature regulator (LH outboard) (see fig. 26)	All	NP
	15-7773		Installation—Oil temperature regulator (LH inboard) (see fig. 26)	All	NP
	15-7773-1		Installation—Oil temperature regulator (RH inboard) (see fig. 27)	All	NP
	15-7772-1		Installation—Oil temperature regulator (RH outboard) (see fig. 27)	All	NP
	15-13867		Installation—Oil temperature regulator (LH outboard)	FO	NP
	15-13867-1		Installation—Oil temperature regulator (LH inboard)	FO	NP
	15-13867-2		Installation—Oil temperature regulator (RH inboard)	FO	NP
	15-13867-3		Installation—Oil temperature regulator (RH outboard)	FO	NP
	15-13867-4		Installation—Oil temperature regulator (LH outboard)	XQ	NP
	15-13867-5		Installation—Oil temperature regulator (LH inboard)	XQ	NP
	15-13867-6		Installation—Oil temperature regulator (RH inboard)	XQ	NP
	15-13867-7		Installation—Oil temperature regulator (RH outboard)	XQ	NP
29-1	2R6697		Regulator Assy—Shutter and thermostat valve (Airesearch) (see T.O. 03-15-17)	FO	1
	17556		Regulator Assy—Oil temperature (Airesearch) (see T.O. 03-15-17)	XQ	1
	2E3078		Regulator Assy—Shutter control valve (Airesearch) (see T.O. 03-15-17)	ZB	1
2	15-7310		Intake Assembly—Oil temperature regulator (LH outboard)	HC	1
	15-7647		Intake Assembly—Oil temperature regulator (LH inboard)	HC	1
	15-7647-1		Intake Assembly—Oil temperature regulator (RH inboard)	HC	1
	15-7944		Intake Assembly—Oil temperature regulator (RH outboard)	HC	1
	15-7310-11		Intake Assembly—Oil temperature regulator (LH outboard)	SO	1
	15-7647-8		Intake Assembly—Oil temperature regulator (LH inboard)	SO	1
	15-7647-9		Intake Assembly—Oil temperature regulator (RH inboard)	SO	1
	15-7944-5		Intake Assembly—Oil temperature regulator (RH outboard)	SO	1
3	15-7772-4		Cushion—Neoprene (outboard)	All	2
	15-7773-4		Cushion—Neoprene (inboard)	All	2
4	3-13725		Strap Assembly	YC	2
5	51-10-34		Bolt—Eye	YC	2
6	1-18895		Filler	YC	2
7	AN365-1032		Nut—Self-locking	YC	2
8	3-13725-7		Strap Assembly	FQ	2
9	51-10-76		Bolt—Eye	FQ	2
10	3-31188		Spring	FQ	2
11	NAS43C4-232		Spacer—Screw and bolt	FQ	2
12	NAS43C6-32		Spacer—Screw and bolt	FQ	2
13	AN970-4		Washer—Flat	FQ	2
14	AN365-428		Nut—Self-locking	FQ	2

WING

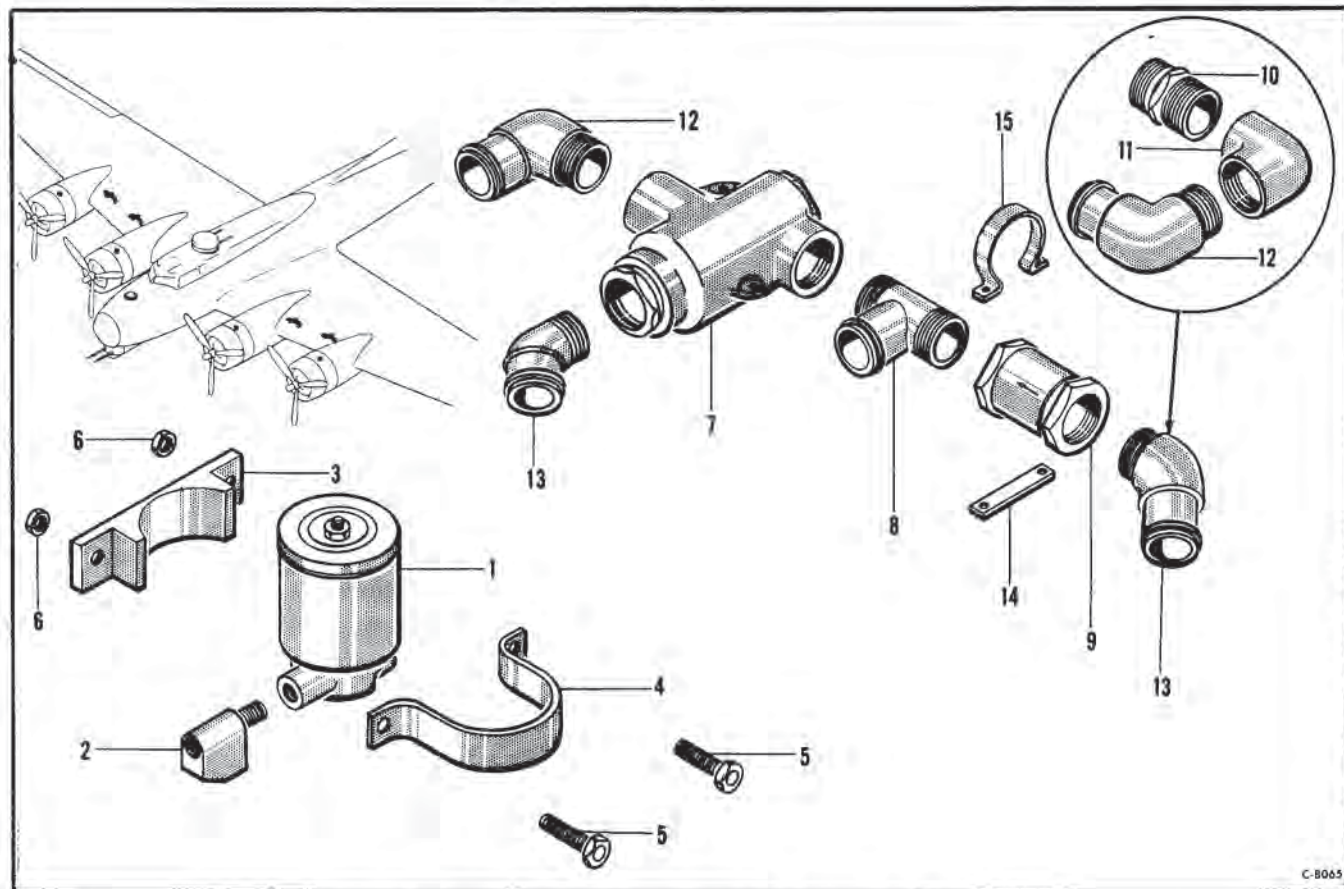


Figure 30—Oil Dilution and Oil Surge Valves

Oil Dilution and Oil Surge Valves

Figure & Index No.	Part Number	1 2 3 4 5 6 7	Nomenclature	Usage Code	Units Per Assy.
			Oil Dilution and Oil Surge Valves		
			Installation—Oil dilution valve (outboard) (see fig. 26 and 27)	All	NP
			Installation—Oil dilution valve (LH inboard) (see fig. 26)	All	NP
			Installation—Oil dilution valve (RH inboard) (see fig. 27)	All	NP
			Valve Unit Assembly—Outboard	RA	1
			Valve Unit Assembly—Outboard	SJ	1
			Valve Unit Assembly—LH inboard	RA	1
			Valve Unit Assembly—RH inboard	RA	1
			Valve Unit Assembly—LH inboard	RJ	1
			Valve Unit Assembly—RH inboard	RJ	1
			Valve Unit Assembly—LH inboard	MP	1
			Valve Unit Assembly—RH inboard	MP	1
30-1	M441M2		Valve Assembly—Oil dilution solenoid (Air Associates) (see T.O. 03-15-17)	RA	1
	UC1070		Valve—Solenoid (United Aircraft) (see AN03-15-24)	SJ	1
2	37A3528		Fitting—Twin restriction	All	1
3	51-163		Support	All	1
4	1-24939		Clamp	All	1
5	AN3-10A		Bolt—Aircraft	All	2
6	AN365-1032		Nut—Self-locking	All	2
	15-12943		Installation—Oil surge valve (nacelle no. 1) (see fig. 26)	All	NP
	15-12944		Installation—Oil surge valve (nacelle no. 2) (see fig. 26)	All	NP
	15-12945		Installation—Oil surge valve (nacelle no. 3) (see fig. 27)	All	NP
	15-12946		Installation—Oil surge valve (nacelle no. 4) (see fig. 27)	All	NP
	9-7230		Valve Assembly—Oil surge (nacelle no. 1)	All	1
	9-7231		Valve Assembly—Oil surge (nacelle no. 2)	All	1
	9-7232		Valve Assembly—Oil surge (nacelle no. 3)	All	1
	15-12946-4		Valve Assembly—Oil surge (nacelle no. 4)	All	1
7	2D6928-4		Valve Assembly—Oil surge (Airesearch) (see T.O. 03-15-17)	All	1
8	1-24222-35		Fitting Assembly	All	1
9	6-1443-2		Valve—Swing check (Parker)	All	1
10	AN911-8		Nipple—Pipe thread (used only on nacelle no. 3 and 4)	All	1
11	AN916-8		Elbow—90 degree internal pipe threads (used only on nacelle no. 3 and 4)	All	1
12	AN842-21		Elbow—90 degree hose (only one required on nacelle no. 1 and 2)	All	2
13	AN844-21		Elbow—45 degree pipe thread hose (only one required on nacelle no. 3 and 4)	All	2
14	3-24532		Block—Check valve support (nacelle no. 1 only)	All	1
	3-22419		Block—Check valve support (nacelle no. 3 and 4)	All	1
15	3-22420		Strap—Check valve support	All	1

Section I I
Group Assembly Parts List

AN 01-20EG-4

WING

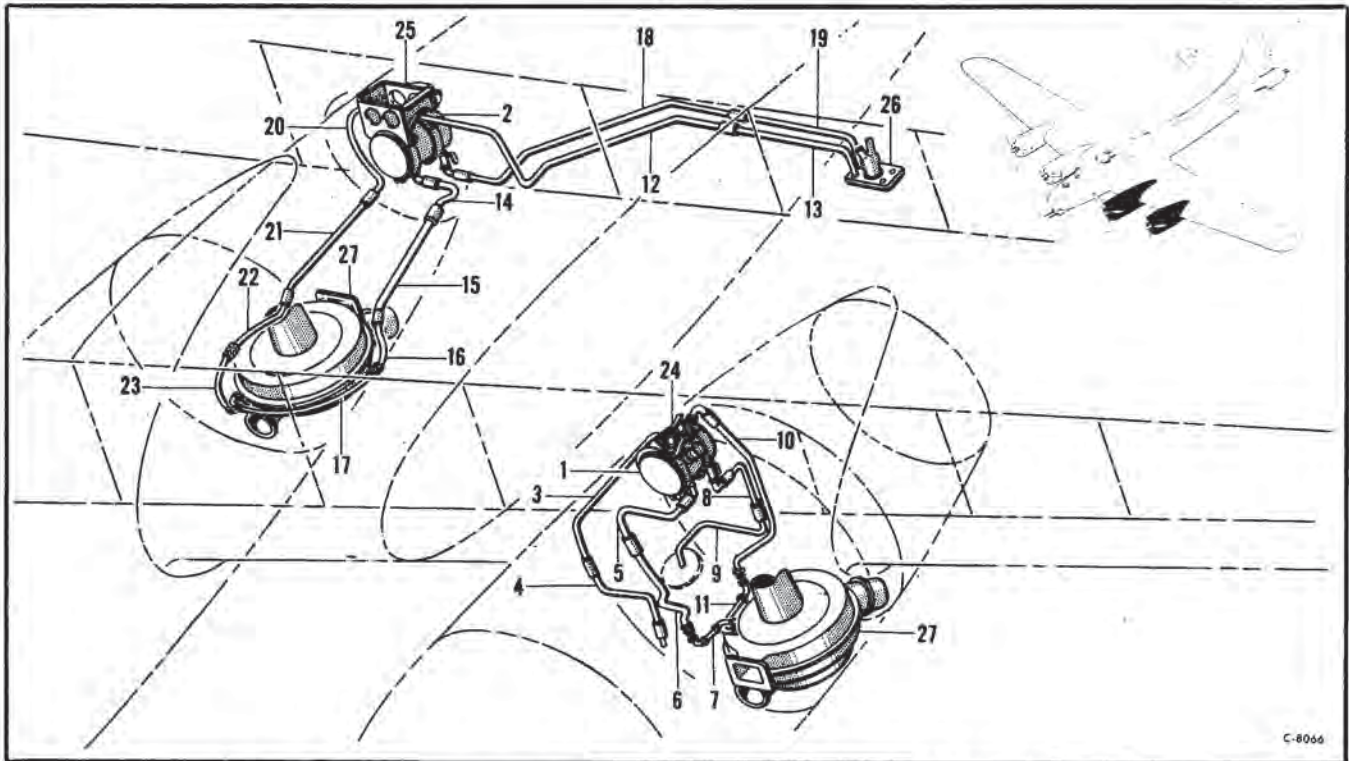


Figure 31—LH Wing Supercharger Lubricating Oil System

LH Wing Supercharger Lubricating Oil System

Figure & Index No.	Part Number	1 2 3 4 5 6 7	Nomenclature	Usage Code	Units Per Assy.
			LH Wing Supercharger Lubricating Oil System.....		
			Installation—Supercharger lubricating oil system.....	All	NP
31-1	55-6088-440		Tank Assembly—LH outboard (see fig. 38).....	All	1
2	55-6088-439		Tank Assembly—LH inboard (see fig. 38).....	All	1
3	55-6088-437		Tube Assembly (oil tank vent).....	All	1
4	55-6088-60		Tube Assembly (oil tank vent).....	All	1
5	55-6088-436		Tube Assembly (oil to supercharger).....	R	1
	55-6088-455		Tube Assembly (oil to supercharger).....	ZF	1
	55-6088-478		Tube Assembly (oil to supercharger).....	DK	1
6	55-6088-48		Tube Assembly (oil to supercharger).....	All	1
7	55-6088-402		Tube Assembly (oil to supercharger).....	BA	1
	55-6088-444		Tube Assembly (oil to supercharger).....	EH	1
8	55-6088-438		Tube Assembly (oil tank drain).....	All	1
9	55-6088-71		Tube Assembly (oil tank drain).....	All	1
10	55-6088-435		Tube Assembly (oil return).....	TA	1
	55-6088-490		Tube Assembly (oil return).....	DK	1
11	55-6088-401		Tube Assembly (oil return).....	BA	1
	55-6088-448		Tube Assembly (oil return).....	EH	1
12	55-6088-432		Tube Assembly (oil tank vent).....	All	1
13	55-6088-421		Tube Assembly (oil tank vent).....	All	1
14	55-6088-434		Tube Assembly (oil to supercharger).....	TA	1
	55-6088-479		Tube Assembly (oil to supercharger).....	ZJ	1
	55-6088-452		Tube Assembly (oil to supercharger).....	XM	1
15	55-6088-89		Tube Assembly (oil to supercharger).....	TA	1
	55-6088-480		Tube Assembly (oil to supercharger).....	ZJ	1
	55-6088-451		Tube Assembly (oil to supercharger).....	XM	1
16	55-6088-405		Tube Assembly (oil to supercharger).....	BA	1
17	55-6088-404		Tube Assembly (oil to supercharger).....	BA	1
	55-6088-446		Tube Assembly (oil to supercharger).....	ZG	1
	55-6088-476		Tube Assembly (oil to supercharger).....	FH	1
	55-6088-481		Tube Assembly (oil to supercharger).....	DK	1
18	55-6088-431		Tube Assembly (oil tank drain).....	All	1
19	55-6088-419		Tube Assembly (oil tank drain).....	All	1
20	55-6088-433		Tube Assembly (oil return).....	All	1
	55-6088-484		Tube Assembly (oil return).....	TA	1
	55-6088-453		Tube Assembly (oil return).....	J	1
21	55-6088-34		Tube Assembly (oil return).....	TA	1
	55-6088-483		Tube Assembly (oil return).....	XM	1
22	55-6088-405		Tube Assembly (oil return).....	TA	1
23	55-6088-406		Tube Assembly (oil return).....	DK	1
	55-6088-447		Tube Assembly (oil return).....	BA	1
	55-6088-477		Tube Assembly (oil return).....	BA	1
	55-6088-482		Tube Assembly (oil return).....	ZG	1
24	55-6162		Installation—Supercharger oil tank support (outboard) (see fig. 15 and 38).....	All	NP
25	15-6623		Installation—Supercharger oil tank cradle (inboard) (see fig. 9 and 38).....	All	NP
26	3-14249-4		Flange Assembly—Tank vents (see fig. 12).....	All	Ref
27	15-9796		Installation—Supercharger (see fig. 33 and 34).....	SC	NP

WING

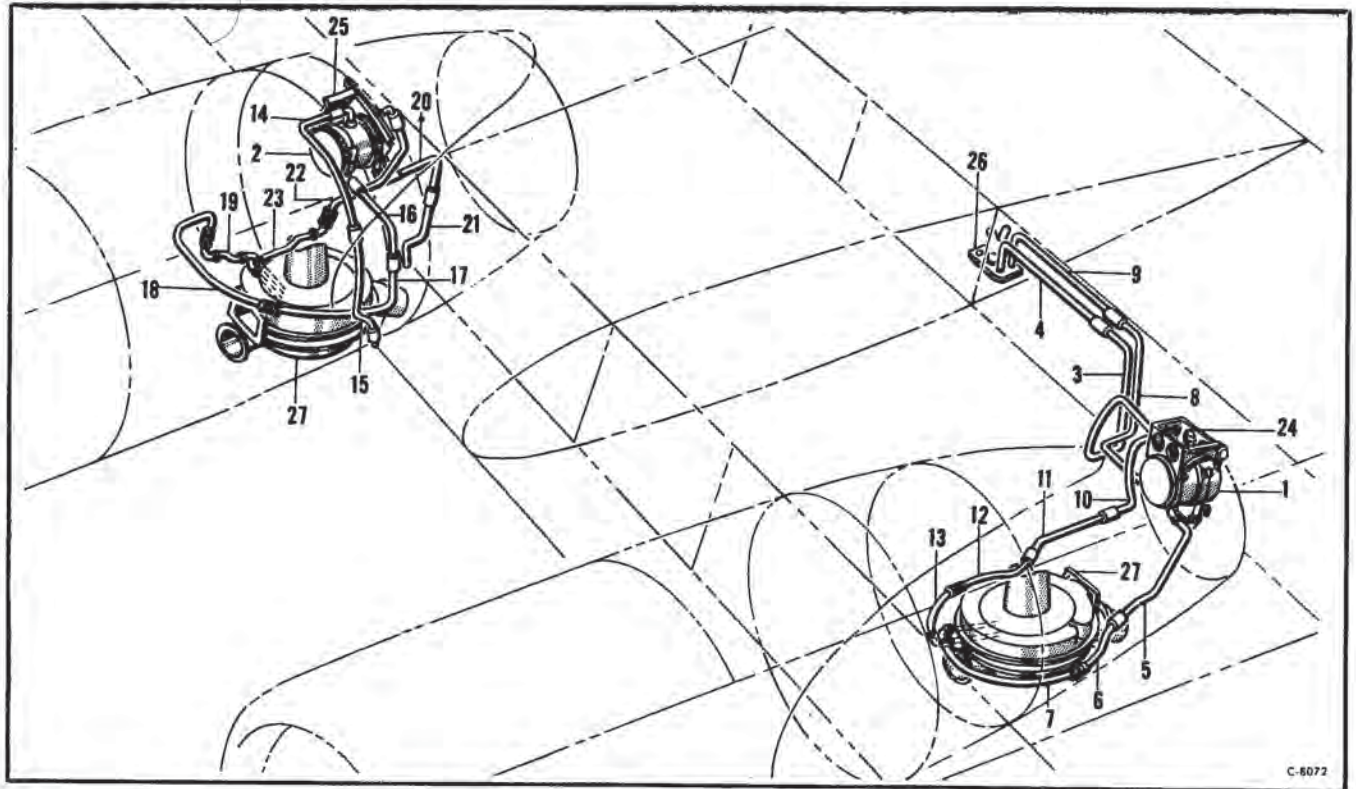


Figure 32—RH Wing Supercharger Lubricating Oil System

RH Wing Supercharger Lubricating Oil System

Figure & Index No.	Part Number	1	2	3	4	5	6	7	Nomenclature	Usage Code	Units Per Assy.
									RH Wing Supercharger Lubricating Oil System		
									Installation—Supercharger lubricating oil system	All	NP
32-1	55-6088-441								Tank Assembly—RH inboard (see fig. 38)	All	1
2	55-6088-439								Tank Assembly—RH outboard (see fig. 38)	All	1
3	55-6088-429								Tube Assembly (oil tank vent)	All	1
4	55-6088-422								Tube Assembly (oil tank vent)	All	1
5	55-6088-427								Tube Assembly (oil to supercharger)	TA	1
	55-6088-485								Tube Assembly (oil to supercharger)	DK	1
6	55-6088-405								Tube Assembly (oil to supercharger)	BA	1
7	55-6088-404								Tube Assembly (oil to supercharger)	BA	1
	55-6088-446								Tube Assembly (oil to supercharger)	ZG	1
	55-6088-476								Tube Assembly (oil to supercharger)	FH	1
	55-6088-481								Tube Assembly (oil to supercharger)	DK	1
8	55-6088-428								Tube Assembly (oil tank drain)	All	1
9	55-6088-420								Tube Assembly (oil tank drain)	All	1
10	55-6088-430								Tube Assembly (oil return)	TA	1
	55-6088-487								Tube Assembly (oil return)	ZJ	1
	55-6088-449								Tube Assembly (oil return)	KM	1
11	55-6088-83								Tube Assembly (oil return)	TA	1
	55-6088-486								Tube Assembly (oil return)	ZJ	1
	55-6088-450								Tube Assembly (oil return)	KM	1
12	55-6088-405								Tube Assembly (oil return)	BA	1
13	55-6088-406								Tube Assembly (oil return)	BA	1
	55-6088-447								Tube Assembly (oil return)	ZG	1
	55-6088-477								Tube Assembly (oil return)	FH	1
	55-6088-482								Tube Assembly (oil return)	DK	1
14	55-6088-424								Tube Assembly (oil tank vent)	All	1
15	55-6088-73								Tube Assembly (oil tank vent)	All	1
16	55-6088-425								Tube Assembly (oil to supercharger)	R	1
	55-6088-454								Tube Assembly (oil to supercharger)	ZF	1
	55-6088-489								Tube Assembly (oil to supercharger)	DK	1
17	55-6088-409								Tube Assembly (oil to supercharger)	All	1
18	55-6088-408								Tube Assembly (oil to supercharger)	All	1
19	55-6088-402								Tube Assembly (oil to supercharger)	BA	1
	55-6088-444								Tube Assembly (oil to supercharger)	EH	1
20	55-6088-426								Tube Assembly (oil tank drain)	All	1
21	55-6088-54								Tube Assembly (oil tank drain)	All	1
22	55-6088-423								Tube Assembly (oil return)	TA	1
	55-6088-488								Tube Assembly (oil return)	DK	1
23	55-6088-407								Tube Assembly (oil return)	BA	1
	55-6088-445								Tube Assembly (oil return)	EH	1
24	15-6623-1								Installation—Supercharger oil tank cradle (inboard) (see fig. 9 and 38)	All	NP
25	55-6162-1								Installation—Supercharger oil tank support (outboard) (see fig. 15 and 38)	All	NP
26	3-14249-5								Flange Assembly—Tank vents (see fig. 12)	SC	Ref
27	15-9796								Installation—Supercharger (see fig. 33 and 34)	All	NP

Section I I
Group Assembly Parts List

AN 01-20EG-4

WING

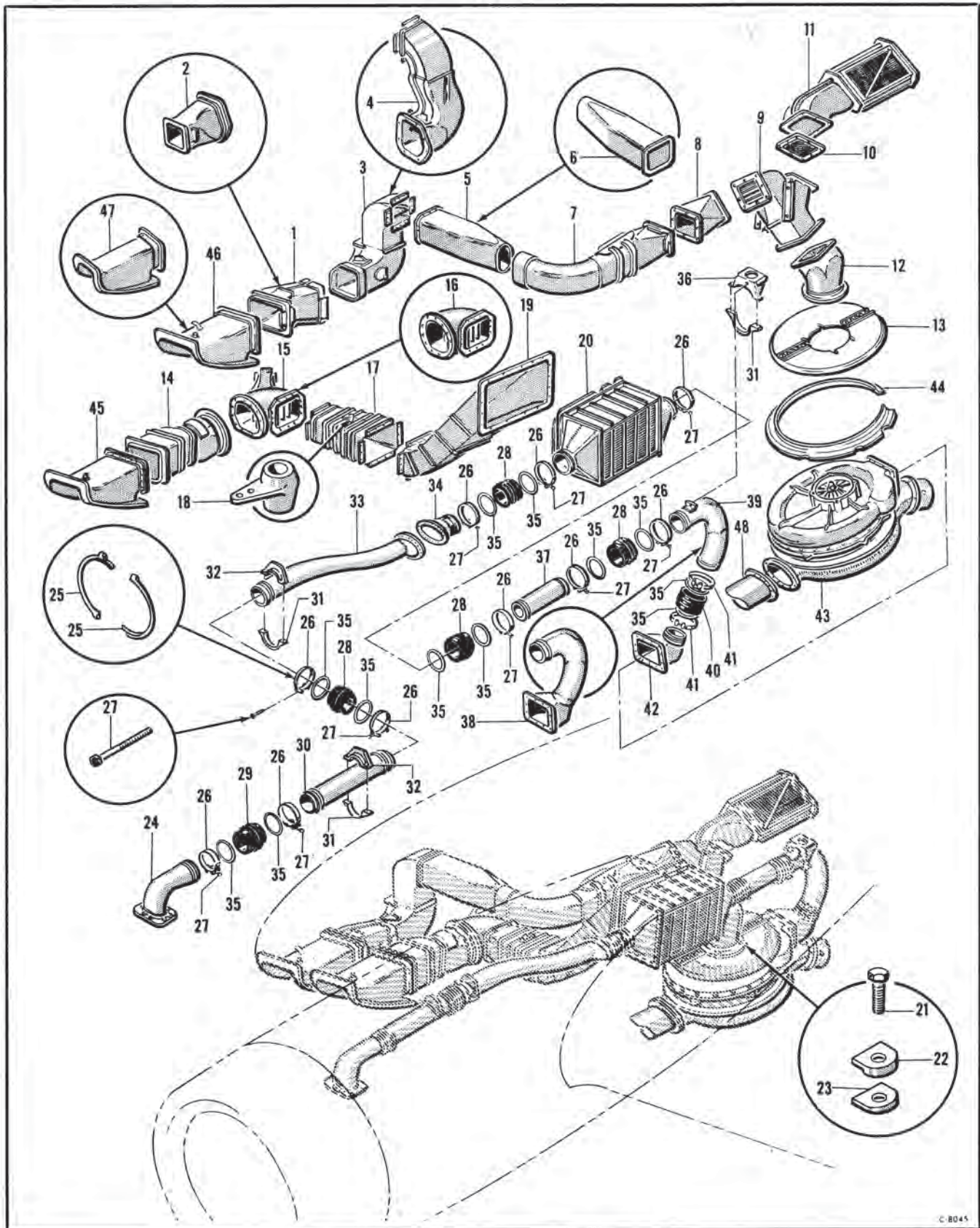


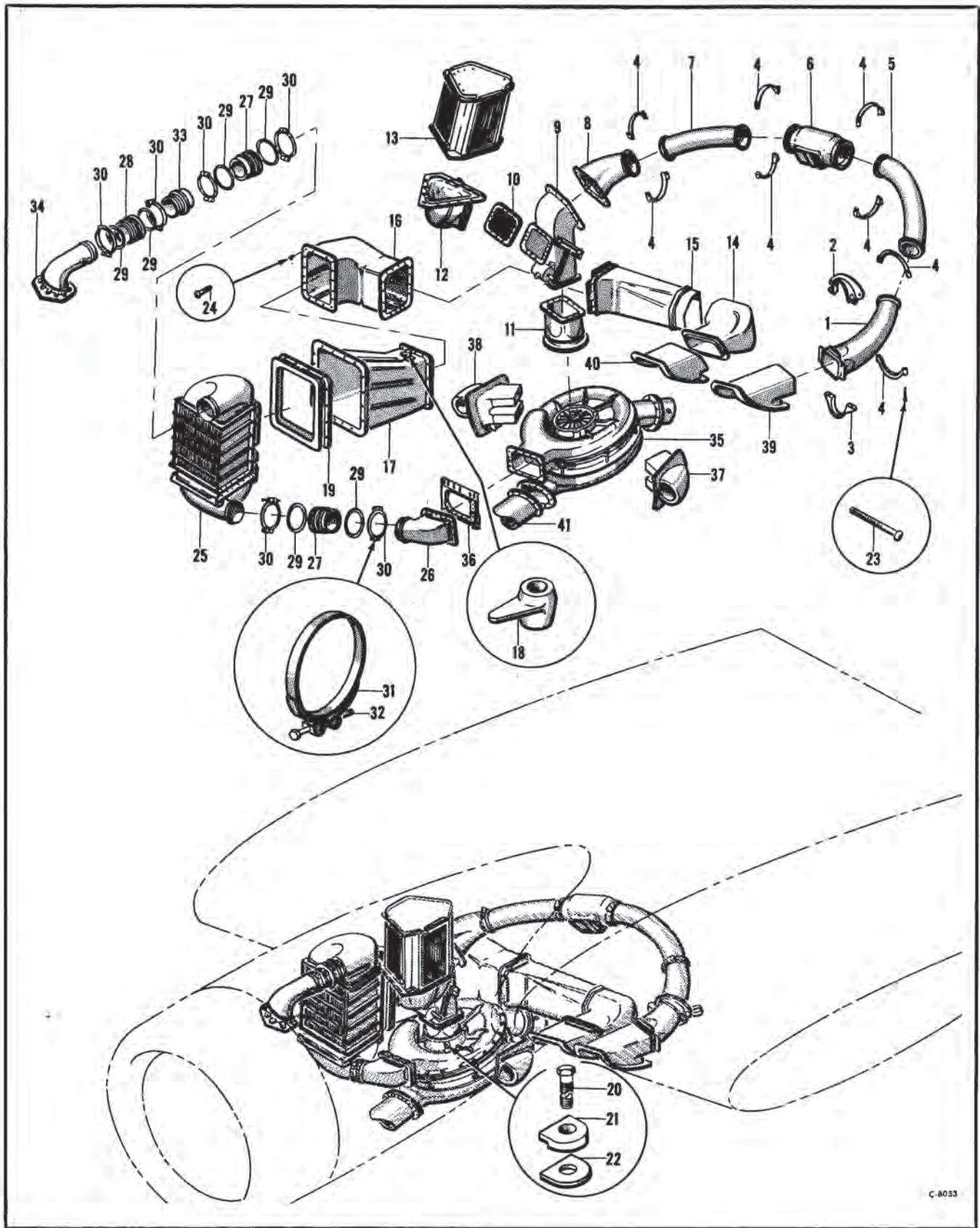
Figure 33—Inboard Supercharger System

WING

Inboard Supercharger System

Figure & Index No.	Part Number	1 2 3 4 5 6 7	Nomenclature	Usage Code	Units Per Assy.
			Inboard Supercharger System	All	NP
	15-9796		Installation—Supercharger (see fig. 17)	All	NP
	15-9771		Installation—Air duct inboard (LH)	All	NP
33-1	15-9771-1		Installation—Air duct inboard (RH)	All	1
	55-6700		Duct Assembly—Carburetor cabin air (LH inboard)	XM	1
2	55-6700-401		Duct Assembly—Carburetor cabin air (RH inboard)	QB	1
3	6-7919-7		Duct Assembly—RH air (inboard)	All	1
	15-6701		Duct Assembly—Carburetor and cabin air (LH inboard)	XM	1
	15-6701-20		Duct Assembly—Carburetor and cabin air (RH inboard)	QB	1
4	9-3681		Duct Assembly—Air intake (RH inboard)	All	1
5	7-1642		Duct Assembly—Carburetor air (LH inboard)	XM	1
	7-1642-13		Duct Assembly—Carburetor air (RH inboard)	QB	1
6	7-1642-9		Duct Assembly—Carburetor air (RH inboard)	All	1
7	65-6093		Elbow Assembly—Air intake (LH inboard) (see fig. 36)	All	1
	65-6093-1		Elbow Assembly—Air intake (RH inboard) (see fig. 36)	All	1
8	9-5305		Adapter Assembly—Air duct (LH inboard)	All	1
	9-5305-1		Adapter Assembly—Air duct (RH inboard)	X	1
	15-9784-12		Valve Assembly—Air filter (LH inboard) (see fig. 36)	RG	1
	15-9784-21		Valve Assembly—Air filter (LH inboard) (see fig. 36)	SI	1
	15-9784-28		Valve Assembly—Air filter (LH inboard) (see fig. 36)	X	1
	15-9784-13		Valve Assembly—Air filter (RH inboard) (see fig. 36)	RG	1
	15-9784-22		Valve Assembly—Air filter (RH inboard) (see fig. 36)	SI	1
	15-9784-29		Valve Assembly—Air filter (RH inboard) (see fig. 36)	All	1
10	3-18502		Screen Assembly—Supercharger inlet	All	NP
11	15-9790		Installation—Inboard filter frame (LH) (see fig. 35)	All	NP
	15-9790-1		Installation—Inboard filter frame (RH) (see fig. 35)	FD	1
12	9-5212		Elbow Assembly—Carburetor air duct	UQ	1
	9-5212-4		Elbow Assembly—Carburetor air duct	UQ	1
13	9-10675		Cover Assembly—Supercharger (LH inboard)	UQ	1
	9-10675-1		Cover Assembly—Supercharger (RH inboard)	All	1
14	49-3022		Header Assembly—Cooling air duct (LH inboard)	All	1
	49-3022-1		Header Assembly—Cooling air duct (RH inboard)	QB	1
15	79-3021		Elbow Assembly—Cooling air duct (LH inboard)	XM	1
16	79-3021-737		Elbow Assembly—Cooling air duct (LH inboard)	All	1
	79-3021-1		Elbow Assembly—Cooling air duct (RH inboard)	All	1
17	55-6339		Duct Assembly—Cooling air (LH inboard)	All	1
	55-6339-1		Duct Assembly—Cooling air (RH inboard)	All	2
18	1-17588		Lever—Engine control	All	1
19	55-6089		Expander Assembly—Cooling air duct (LH inboard)	All	1
	55-6089-1		Expander Assembly—Cooling air duct (RH inboard)	All	NP
20	58-1077		Installation—Supercharger intercooler inboard (LH) (see fig. 35)	All	NP
	58-1077-1		Installation—Supercharger intercooler inboard (RH) (see fig. 35)	All	4
21	21-6671-14H3		Bolt—Drilled head	All	4
22	41-8261		Lug—Mixing box	All	4
23	15-9771-4		Shim	All	NP
	65-5975		Installation—Pressure duct inboard (LH)	All	NP
	65-5975-1		Installation—Pressure duct inboard (RH)	All	1
24	9-3080-22		Elbow Assembly—Carburetor pressure duct	PC	20
25	41-8374		Ring Assembly—Air duct	SP	10
26	6-16886		Clamp Assembly—Induction system	All	1
27	3-25383		Bolt—1-4 28 special	All	1
	AN365-428		Nut—Self-locking	All	4
28	6-8072		Hose—Corrugated air	1	1
29	6-8072-2		Hose—Corrugated air (Used on all models prior to AF43-39349)	1	1
	6-20671		Hose—Corrugated air (Used on AF43-39349 and all subsequent models)	1	1
30	65-5975-410		Duct Assembly—Weld (LH)	E	1
	65-5975-519		Duct Assembly—Weld (LH)	ZE	1
	65-5975-411		Duct Assembly—Weld (RH)	E	1
	65-5975-520		Duct Assembly—Weld (RH)	ZE	1
31	41-8435		Clamp Assembly—Air duct	All	3
32	41-8461		Collar Assembly—Duct support	All	2
33	65-5975-517		Duct Assembly—Weld (LH inboard)	All	1
	65-5975-518		Duct Assembly—Weld (RH inboard)	All	1
34	6-7741		Connector Assembly—Pressure duct (LH inboard)	All	1
	6-7741-1		Connector Assembly—Pressure duct (RH inboard)	All	1
35	3-11717		Ring—Hose	PC	12
36	6-9596		Bracket Assembly—Pressure duct	All	1
37	3-13913		Duct—Pressure	All	1
38	65-5975-511		Duct Assembly—Weld (LH)	PC	1
	65-5975-512		Duct Assembly—Weld (RH)	PC	1
	65-5975-614		Duct Assembly—Weld (LH)	SP	1
	65-5975-615		Duct Assembly—Weld (RH)	SP	1
39	65-5975-610		Duct Assembly (LH)	SP	1
	65-5975-611		Duct Assembly (RH)	SP	1
40	6-8072		Hose—Corrugated air (LH only)	SP	1
41	6-16886		Clamp Assembly—Induction system	All	2
	3-25388		Bolt—1-4 28 special	All	1
	AN365-428		Nut—Self-locking	All	1
42	6-18328		Adapter Assembly—Pressure duct (LH)	SP	1
	6-18328-1		Adapter Assembly—Pressure duct (RH)	SP	1
43	4868827		Supercharger Assembly GFE	BA	2
	WW8456556		Supercharger Assembly GFE	EH	2
	6-7907		Installation—Supercharger seal inboard (LH)	All	NP
	6-7907-2		Installation—Supercharger seal inboard (RH)	All	NP
44	6-7907-9		Seal—Inboard supercharger (LH)	E	1
	6-7907-10		Seal—Inboard supercharger (RH)	E	1
	6-7907-10		Seal—Inboard supercharger	ZE	1
	74-1831-600		Nose Assembly (LH) (see fig. 11)	QB	Ref
	74-1831-624		Nose Assembly (LH) (see fig. 11)	XM	Ref
	74-1831-601		Nose Assembly (RH) (see fig. 11)	QB	Ref
	74-1831-625		Nose Assembly (RH) (see fig. 11)	XM	Ref
	64-1680		Installation—Carburetor and intercooler intake (LH) (see fig. 11)	All	NP
	64-1680-1		Installation—Carburetor and intercooler intake (RH) (see fig. 11)	All	NP
45	64-1680-500		Intake Assembly—Weld (LH) (see fig. 11)	All	Ref
	64-1680-503		Intake Assembly—Weld (RH) (see fig. 11)	All	Ref
46	64-1680-511		Intake Assembly—Weld (LH) (see fig. 11)	QB	Ref
	64-1680-524		Intake Assembly—Weld (LH) (see fig. 11)	XM	Ref
	64-1680-519		Intake Assembly—Weld (RH) (see fig. 11)	QB	Ref
47	64-1680-507		Intake Assembly—Weld (RH) (see fig. 11)	QB	Ref
48			Tailpipe Assembly (see fig. 17)		

WING



C-8053

Figure 34— Outboard Supercharger System

AN 01-20EG-4

WING

Figure 34—Outboard Supercharger System

Figure & Index No.	Part Number	1 2 3 4 5 6 7	Nomenclature	Usage Code	Units Per Assy.
			Outboard Supercharger System		
	15-9796		Installation—Supercharger (see fig. 17)	All	NP
	15-9770		Installation—Outboard air duct (LH)	All	NP
	15-9770-1		Installation—Outboard air duct (RH)	All	NP
34-1	6-7998-8		Duct Assembly—Cold air intake (LH outboard)	All	1
	6-7998-9		Duct Assembly—Cold air intake (RH outboard)	All	1
	6-7841		Installation—Air duct bracket (LH outboard)	All	NP
	6-7841-1		Installation—Air duct bracket (RH outboard)	All	NP
2	6-7841-2		Bracket Assembly—Air duct (LH outboard)	All	1
	6-7841-3		Bracket Assembly—Air duct (RH outboard)	All	1
3	41-8753		Clamp Assembly—Air duct	All	1
4	41-9013		Clamp Assembly—Duct half	All	8
5	6-7999		Duct Assembly—Air intake (LH outboard)	EA	1
	6-7999-6		Duct Assembly—Air intake (LH outboard)	QH	1
	6-7999-1		Duct Assembly—Air intake (RH outboard)	EA	1
	6-7999-7		Duct Assembly—Air intake (RH outboard)	QH	1
6	9-2988		Valve Assembly—Relief outboard (see fig. 36)	All	1
7	6-7993		Duct Assembly—Outboard air intake (LH)	EA	1
	6-7993-10		Duct Assembly—Outboard air intake (LH)	QH	1
	6-7993-1		Duct Assembly—Outboard air intake (RH)	EA	1
	6-7993-11		Duct Assembly—Outboard air intake (RH)	QH	1
8	9-5213		Duct Assembly—Outboard supercharger	All	1
9	15-9784-12		Valve Assembly—Air filter (LH outboard) (see fig. 36)	X	1
	15-9784-21		Valve Assembly—Air filter (LH outboard) (see fig. 36)	RG	1
	15-9784-28		Valve Assembly—Air filter (LH outboard) (see fig. 36)	SI	1
	15-9784-13		Valve Assembly—Air filter (RH outboard) (see fig. 36)	X	1
	15-9784-22		Valve Assembly—Air filter (RH outboard) (see fig. 36)	RG	1
	15-9784-29		Valve Assembly—Air filter (RH outboard) (see fig. 36)	SI	1
10	3-18502		Screen Assembly—Supercharger inlet	All	1
11	9-5211		Duct Assembly—Outboard supercharger	All	1
12	15-9785-12		Duct Assembly—Outboard supercharger (LH outboard)	All	1
	15-9785-13		Duct Assembly—Outboard supercharger (RH outboard)	All	1
13	15-9795		Installation—Outboard filter frame (LH) (see fig. 35)	All	NP
	15-9795-1		Installation—Outboard filter frame (RH) (see fig. 35)	All	NP
14	49-3030		Elbow Assembly—Intercooler duct (LH)	All	1
	49-3030-1		Elbow Assembly—Intercooler duct (RH)	All	1
15	47-1343-23		Duct Assembly—Outboard intercooler (LH)	All	1
	47-1343-24		Duct Assembly—Outboard intercooler (RH)	All	1
16	49-3029		Duct Assembly—Intercooler air (LH outboard)	All	1
	49-3029-1		Duct Assembly—Intercooler air (RH outboard)	All	1
17	9-3124-33		Duct Assembly—Cooling air (LH outboard)	All	1
	9-3124-34		Duct Assembly—Cooling air (RH outboard)	All	1
18	1-17588-3		Lever	All	2
19	57-1341		Connector Assembly—Flexible	All	1
20	21-6671-14H3		Bolt—Drilled head	All	4
21	41-8261		Lug—Mixing box	All	4
22	15-9770-5		Shim	All	4
23	AN520-10R36		Screw—Round head	All	8
	AN365-1032		Nut—Self-locking	All	8
24	AN520-10R8		Screw—Round head	All	16
	AN365-1032		Nut—Self-locking	All	16
25	15-7654		Installation—Outboard nacelle intercooler (LH) (see fig. 35)	All	NP
	15-7654-1		Installation—Outboard nacelle intercooler (RH) (see fig. 35)	All	NP
	55-5976		Installation—Outboard pressure duct (LH)	All	NP
	55-5976-1		Installation—Outboard pressure duct (RH)	All	NP
26	6-8463		Elbow Assembly—Pressure duct (LH)	All	1
	6-8463-1		Elbow Assembly—Pressure duct (RH)	All	1
27	6-8072		Hose—Corrugated air	All	2
28	6-8072-2		Hose—Corrugated air	All	1
29	3-11717		Ring—Hose	All	6
30	41-8374		Ring Assembly—Air duct	PC	12
31	6-16886		Clamp Assembly—Induction system	SP	6
32	3-25383		Bolt—1-4 28 special	All	1
	AN365-428		Nut—Self-locking	All	1
33	41-8448		Duct Assembly—Carburetor	All	1
34	9-3080-22		Elbow Assembly—Carburetor pressure duct	All	1
35	4868827		Supercharger Assembly GFE	BA	2
	WW8456556		Supercharger Assembly GFE	EH	2
36	49-3056-408		Seal—Outboard nacelle station 20	All	1
	15-6531		Installation—Supercharger cooling scoop (LH)	All	NP
	15-6531-1		Installation—Supercharger cooling scoop (RH)	All	NP
37	15-6531-2		Scoop Assembly (LH)	All	1
38	15-6531-3		Scoop Assembly (RH)	All	1
	15-7476-66		Nose Assembly—Station 15-19 (LH) (see fig. 11)	B	Ref
	15-7476-80		Nose Assembly—Station 15-19 (LH) (see fig. 11)	BE	Ref
	15-7476-67		Nose Assembly—Station 15-19 (RH) (see fig. 11)	B	Ref
	15-7476-81		Nose Assembly—Station 15-19 (RH) (see fig. 11)	BE	Ref
	54-1618		Installation—Carburetor & intercooler intake (outboard)	All	NP
	54-1618-1		Installation—Carburetor & intercooler intake (outboard)	All	NP
39	54-1618-410		Intake Assembly—LH (used on 54-1618)	All	1
	54-1618-411		Intake Assembly—RH (used on 54-1618-1)	All	1
40	54-1618-418		Intake Assembly—LH (used on 54-1618)	All	1
	54-1618-419		Intake Assembly—RH (used on 54-1618-1)	All	1
41	NO NUMBER		Tailpipe Assembly (see fig. 17)	All	NP

WING

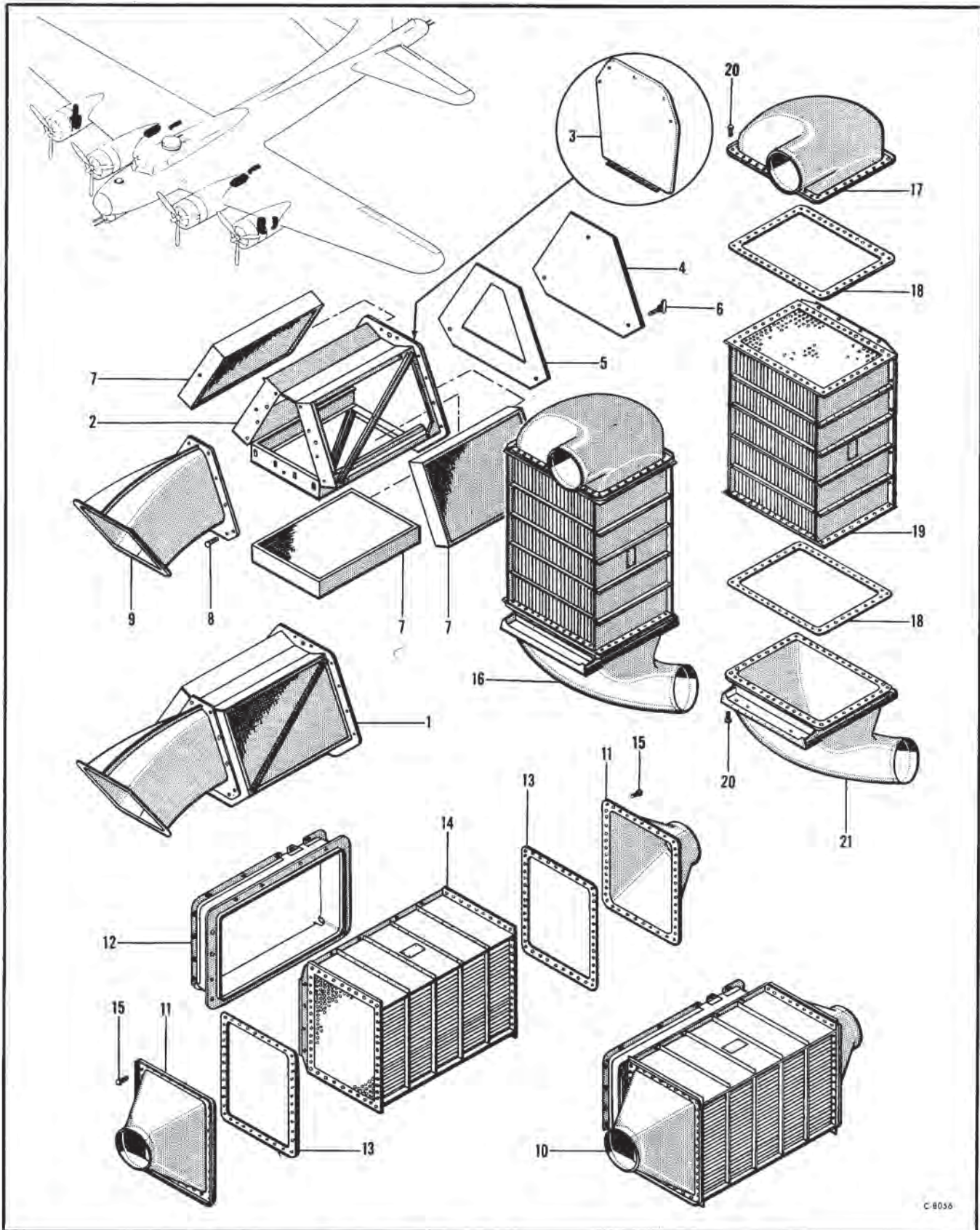


Figure 35—Supercharger Air Filter and Intercooler

AN 01-20EG-4

WING

Supercharger Air Filter and Intercooler

Figure & Index No.	Part Number	1 2 3 4 5 6 7	Nomenclature	Usage Code	Units Per Assy.
35-1	15-9795		Supercharger Air Filter and Intercooler	All	NP
	15-9795-1		Installation—Outboard filter frame (LH) (see fig. 34)	All	NP
2	15-9790		Installation—Outboard filter frame (RH) (see fig. 34)	All	NP
	15-9790-1		Installation—Inboard filter frame (LH) (see fig. 33)	All	NP
3	15-9783-10		Installation—Inboard filter frame (RH) (see fig. 33)	All	NP
	15-9783-12		Frame Assembly—Filter	KA	1
4	9-5302-6		Frame Assembly—Filter	NI	1
	6-14189		Relief Valve Assembly (used on 15-9783-10)	KA	1
5	6-14189-1		Cover Assembly—Air filter	NI	1
	6-14201		Cover	NI	1
6	3-20745		Gasket—Air filter	NI	1
	56B446		Screw Assembly—1-4 28 wing	All	3
7	AN3-4A		Filter Assembly—Carb air (American Air Filter Co.)	All	3
	AN960-10		Bolt—Aircraft (used on 15-9795 and 15-9795-1)	All	16
8	AN365-1032		Washer—Plain (used on 15-9795 and 15-9795-1)	All	17
	15-9787-3		Nut—Self-locking (used on 15-9795 and 15-9795-1)	All	18
9	6-14101		Duct Assembly—Inboard supercharger	All	1
	58-1077		Gasket	All	1
10	58-1077-1		Installation—Inboard supercharger intercooler (LH) (see fig. 33)	All	NP
	58-1077-506		Installation—Inboard supercharger intercooler (RH) (see fig. 33)	All	NP
11	58-1077-507		Intercooler Assembly (LH inboard)	QB	1
	58-1077-508		Intercooler Assembly (LH inboard)	XM	1
12	58-1077-509		Intercooler Assembly (RH inboard)	QB	1
	6-7733		Intercooler Assembly (RH inboard)	XM	1
13	6-7733-1		Header Assembly—Intercooler (LH inboard)	All	2
	59-2990		Header Assembly—Intercooler (RH inboard)	All	2
14	59-2990-1		Connector Assembly—Flexible (LH inboard)	All	1
	41-8265		Connector Assembly—Flexible (RH inboard)	All	1
15	1E757		Gasket—Intercooler	All	2
	AN3-5A		Unit—Intercooler (Airesearch)	All	1
16	AN3-6A		Bolt—Aircraft	All	34
	AN365-1032		Bolt—Aircraft	All	66
17	15-7654		Nut—Self-locking	All	124
	15-7654-1		Installation—Outboard nacelle intercooler (LH) (see fig. 34)	All	NP
18	15-7654-3		Installation—Outboard nacelle intercooler (RH) (see fig. 34)	All	NP
	15-7654-4		Intercooler Assembly—Outboard nacelle (LH)	All	1
19	56-7789-504		Intercooler Assembly—Outboard nacelle (RH)	All	1
	56-7789-505		Elbow Assembly—Pressure duct (LH outboard)	E	1
20	56-7789-507		Elbow Assembly—Pressure duct (LH outboard)	ZE	1
	41-8265		Elbow Assembly—Pressure duct (RH outboard)	E	1
21	1E757		Elbow Assembly—Pressure duct (RH outboard)	ZE	1
	AN3-5A		Gasket—Intercooler	All	2
22	AN3-6A		Unit—Intercooler (Airesearch)	All	1
	AN365-1032		Bolt—Aircraft	All	26
23	6-7798		Bolt—Aircraft	All	66
	6-7798-1		Nut—Self-locking	All	92
24	6-7798		Header Assembly—Pressure duct (LH outboard)	All	1
	6-7798-1		Header Assembly—Pressure duct (RH outboard)	All	1

WING

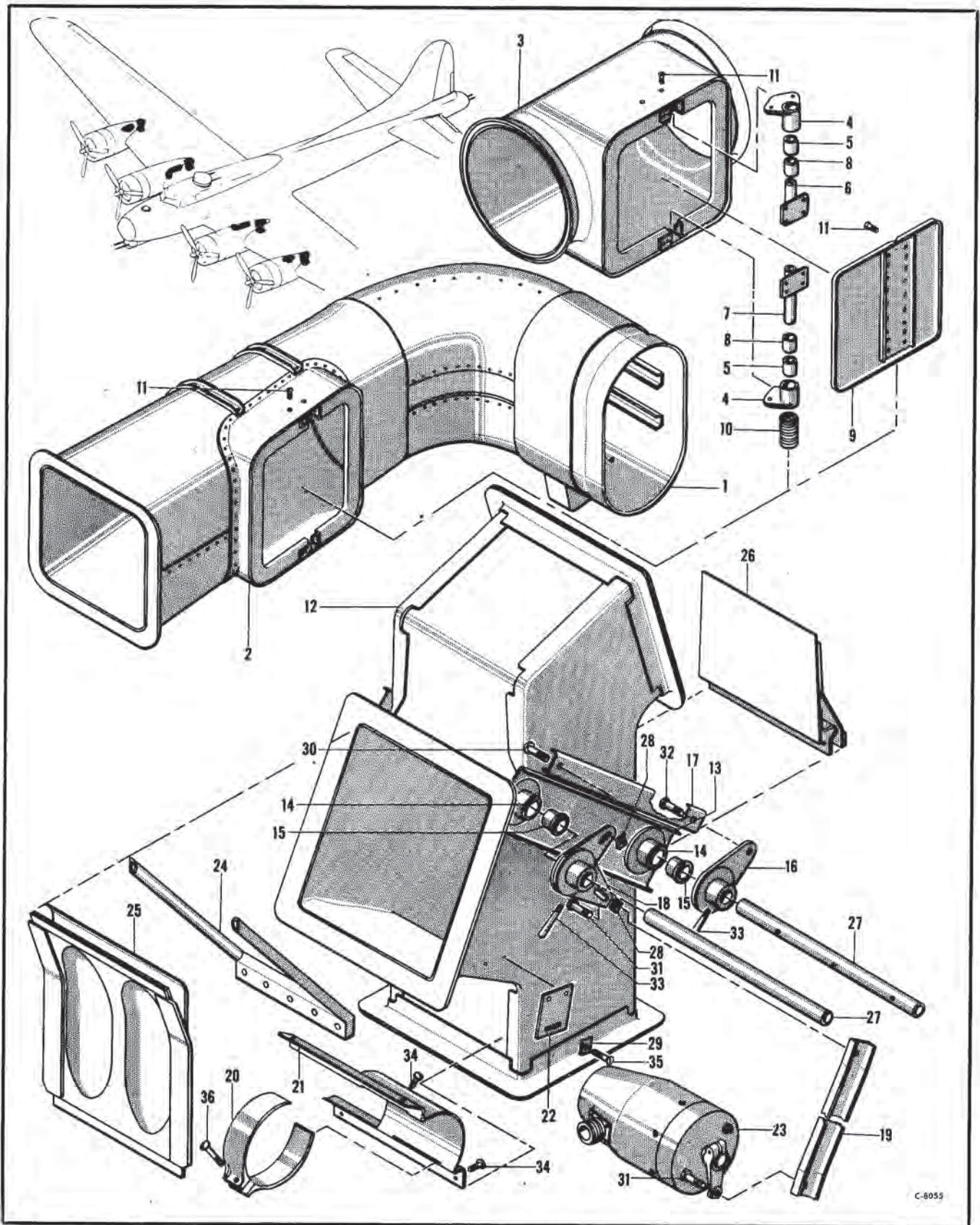


Figure 36—Supercharger Air Filter Relief Valve Assemblies

AN 01-20EG-4

WING

Supercharger Air Filter Relief Valve Assemblies

Figure & Index No.	Part Number	1 2 3 4 5 6 7	Nomenclature	Usage Code	Units Per Assy.
			Supercharger Air Filter Relief Valve Assemblies		
	65-6093		Elbow Assembly—Air intake (LH inboard) (see fig. 33)	All	Ref
	65-6093-1		Elbow Assembly—Air intake (RH inboard) (see fig. 33)	All	Ref
	9-2988		Valve Assembly—Relief outboard (see fig. 34)	All	Ref
36-1	65-6093-513		Duct Assembly (used on 65-6093 and 65-6093-1)	All	1
2	6-7927		Housing Assembly—Relief valve inboard	All	1
3	15-6079		Housing Assembly—Relief valve outboard (used on 9-2988)	All	1
	41-8756		Bushing Assembly—Relief valve	All	2
4	41-8755		Support—Bushing	All	1
5	A507-4		Bushing—Oilite (Chrysler Corp.)	All	1
6	41-8752		Shaft Assembly—Relief valve	All	1
7	41-8805		Shaft Assembly—Relief valve	All	1
8	9-2988-4		Spacer	All	2
9	41-8826		Flap Assembly—Relief valve	All	1
10	41-8806		Spring—Relief valve	All	1
11	AN520-10R7		Screw—Round head	All	12
	AN365-1032		Nut—Self-locking	All	12
	15-9784-12		Valve Assembly—Air filter (LH) (see fig. 33 and 34)	X	Ref
	15-9784-21		Valve Assembly—Air filter (LH) (see fig. 33 and 34)	RG	Ref
	15-9784-28		Valve Assembly—Air filter (LH) (see fig. 33 and 34)	SI	Ref
	15-9784-13		Valve Assembly—Air filter (RH) (see fig. 33 and 34)	X	Ref
	15-9784-22		Valve Assembly—Air filter (RH) (see fig. 33 and 34)	RG	Ref
	15-9784-29		Valve Assembly—Air filter (RH) (see fig. 33 and 34)	SI	Ref
12	15-9784-2		Duct Assembly—Air filter	All	1
	15-9784-10		Channel Assembly	All	1
	15-9784-11		Channel Assembly	All	1
13	3-16969		Channel—Filter valve (used on 15-9784-10)	All	1
	3-16969-1		Channel—Filter valve (used on 15-9784-11)	All	1
	1-25565		Flange Assembly—Filter valve	All	2
14	3-16971		Flange—Filter valve	All	1
15	F609-3		Bushing—Oilite (Chrysler Corp.)	All	1
16	3-16975		Lever Assembly—Filter valve	All	1
17	1-25564		Link Assembly—Filter valve	All	1
18	3-16985		Crank Assembly—Filter valve (LH)	All	1
	3-16985-1		Crank Assembly—Filter valve (RH)	All	1
19	3-16986		Link Assembly—Filter valve	All	1
	15-9784-9		Support Assembly—Motor (used on 15-9784-12 and -13)	X	1
	15-9784-19		Support Assembly—Motor (used on 15-9784-21, -22, -28 and -29)	SG	1
20	3-16989		Clamp—Filter valve (used on 15-9784-9)	X	2
	3-16989-1		Clamp—Filter valve (used on 15-9784-19)	SG	2
21	6-12617		Cradle—Valve motor	All	1
22	1-27200		Clip—Filter valve	All	1
23	AYLC5091		Motor (Barber-Colman Co.)	All	1
24	6-14432		Seal Assembly—Air filter valve	All	1
25	6-12610-3		Door Assembly—Filter valve (used on 15-9784-12, -13, -21 and -22)	NA	1
	6-12610-10		Door Assembly—Filter valve (used on 15-9784-28 and -29)	SI	1
	6-12613-6		Door Assembly—Filter valve	All	1
26	6-12613-7		Spotweld Assembly	All	1
27	1-25571		Shaft (used on 15-9784-12 and -13)	X	2
	1-25571-1		Shaft (used on 15-9784-21, -22, -28 and -29)	SG	2
28	1-18380-6-191		Washer	All	2
29	1-18380-8-173		Washer	All	1
30	AN3-7		Bolt—Aircraft	All	1
	AN960-10		Washer—Plain	All	2
	AN310-3		Nut—Aircraft castle	All	2
31	AN23-12		Bolt—Clevis	All	2
	AN960-10		Washer—Plain	All	4
	AN320-3		Nut—Aircraft shear	All	2
32	AN3-6		Bolt—Aircraft	All	1
	AN960-10		Washer—Plain	All	2
	AN310-3		Nut—Aircraft castle	All	1
33	AN386-1-8A		Pin—Threaded taper	All	2
	AN975-3		Washer—Taper pin	All	2
	AN364-1032		Nut—Self-locking	All	2
34	NAS221-8		Screw—Brazier head	All	4
35	AN515-8R10		Screw—Round head	All	1
	AN935-8L		Washer—Medium spring lock	All	1
36	AN520-416R16		Screw—Round head	All	1
	AN960D416		Washer—Plain	All	1
	AN365-428		Nut—Self-locking	All	1

Section I I
Group Assembly Parts List

AN 01-20EG-4

WING

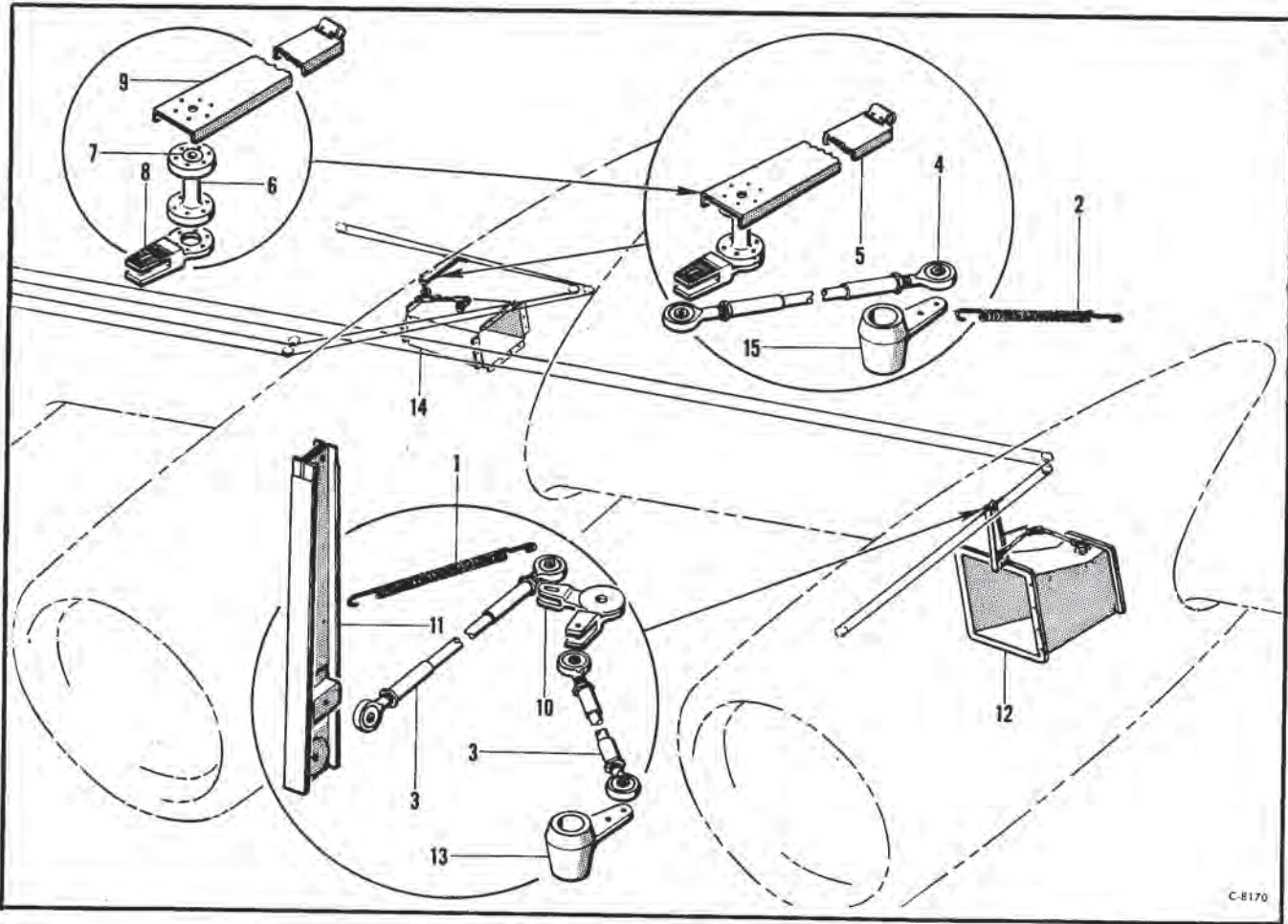


Figure 37—Intercooler Temperature Control

Intercooler Temperature Control

Figure & Index No.	Part Number	1 2 3 4 5 6 7	Nomenclature	Usage Code	Units Per Assy.
	15-7038		Intercooler Temperature Control	All	NP
	3-13502		Installation—Intercooler temperature control	All	NP
	6-9228		Installation—Intercooler spring (LH outboard)	All	NP
37-1	1-18106		Installation—Intercooler spring (RH outboard)	All	NP
	1-18208		Spring—Intercooler shutter (LH outboard)	All	1
	3-13594		Spring—Intercooler shutter (RH outboard)	All	1
	3-13594-1		Installation—Intercooler spring (LH inboard)	All	NP
2	1-17568		Installation—Intercooler spring (RH inboard)	All	NP
	BAC1861-23-80		Spring—Intercooler shutter	All	1
3	BAC1861-23-82		Rod Assembly (LH outboard)	All	2
	BAC1861-24-120		Rod Assembly (RH outboard)	All	1
4	BAC1861-24-170		Rod Assembly (RH outboard)	All	1
	15-6343		Rod Assembly (inboard)	All	2
	15-6343-1		Installation—Intercooler temperature control bracket (see fig. 9)	All	NP
5	3-12085		Installation—Intercooler temperature control bracket (see fig. 9)	All	NP
	3-12085-1		Crank Assembly—Intercooler control (LH)	All	1
6	3-12085-3		Crank Assembly—Intercooler control (RH)	All	1
7	AN201K4A		Hub Assembly—Intercooler control	All	1
8	51-762-4		Bearing—Ball	All	2
9	3-20422		Lever—Serrated control	All	1
	9-3127		Lever—Control	All	1
	49-3129		Installation—Intercooler temperature control bracket (LH outboard) (see fig. 15)	All	NP
10	3-12090-4		Installation—Intercooler temperature control bracket (RH outboard) (see fig. 15)	All	NP
	9-3126		Crank Assembly—Control	All	1
	9-3126-1		Installation—Intercooler temperature control lever (LH) (see fig. 15)	All	NP
11	3-12170		Installation—Intercooler temperature control lever (RH) (see fig. 15)	All	NP
12	9-3124-33		Lever Assembly—Control	All	1
	9-3124-34		Duct Assembly—Cooling air (LH outboard) (see fig. 34)	All	Ref
13	1-17588-3		Duct Assembly—Cooling air (RH outboard) (see fig. 34)	All	Ref
14	55-6339		Lever	All	Ref
	55-6339-1		Duct Assembly—Cooling air (LH inboard) (see fig. 33)	All	Ref
15	1-17588		Duct Assembly—Cooling air (RH inboard) (see fig. 33)	All	Ref
			Lever—Engine control	All	Ref

WING

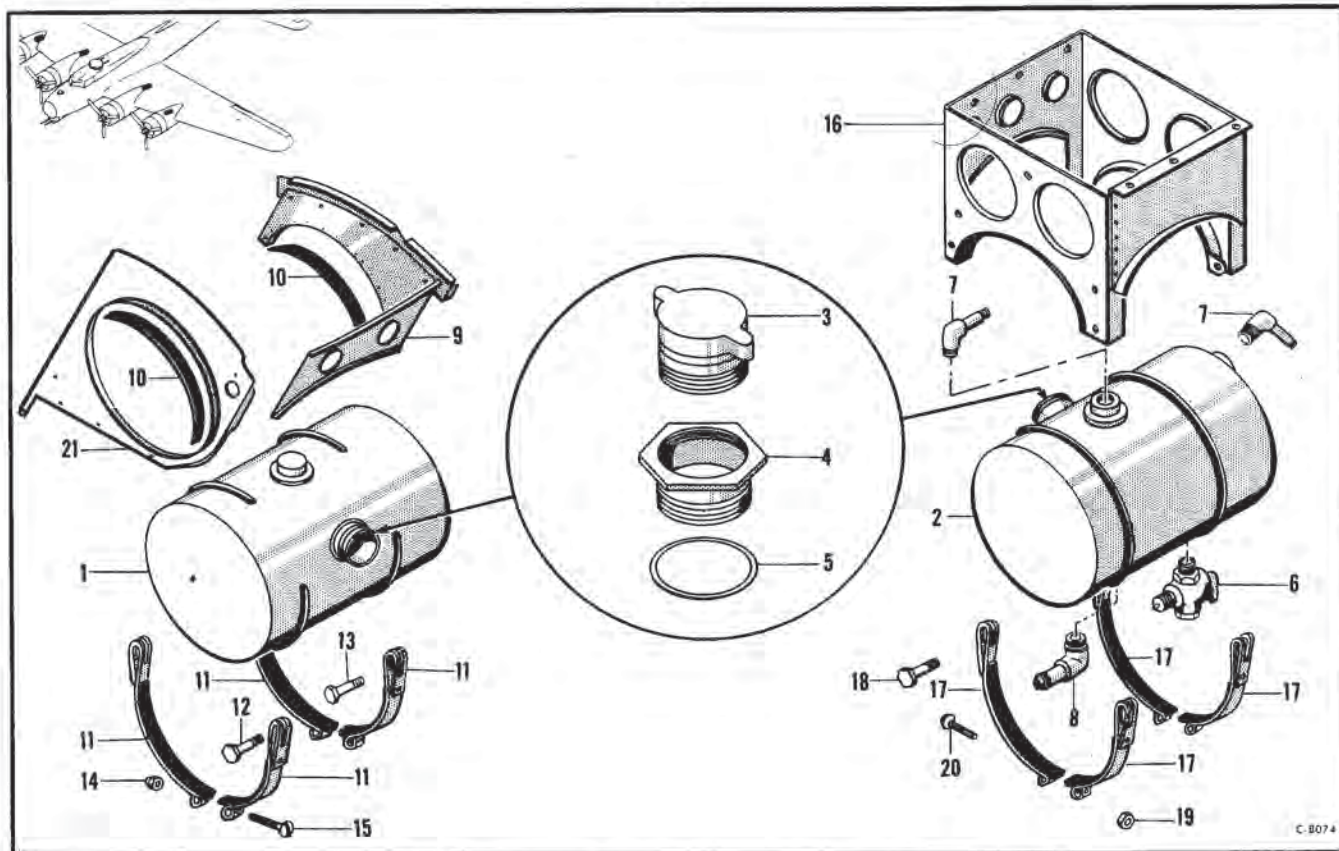


Figure 38—Supercharger Oil Tank and Tank Supports

Supercharger Oil Tank and Tank Supports

Figure & Index No.	Part Number	1 2 3 4 5 6 7	Nomenclature	Usage Code	Units Per Assy.
			Supercharger Oil Tank and Tank Supports.....	All	Ref
	55-6088-440		Tank Assembly—LH outboard (see fig. 31).....	All	Ref
	55-6088-439		Tank Assembly—LH inboard & RH outboard (see fig. 31 & 32).....	All	Ref
	55-6088-441		Tank Assembly—RH inboard (see fig. 32).....	All	Ref
	49-3047-1		Tank Assembly—Supercharger lubricating oil (LH outboard & RH inboard).....	All	1
	49-3047		Tank Assembly—Supercharger lubricating oil (LH inboard & RH outboard).....	All	1
38-1	49-3047-401		Tank Assembly (LH outboard and RH inboard).....	All	2
2	49-3047-400		Tank Assembly (LH inboard and RH outboard).....	All	2
	49-3047-402		Filler Assembly.....	All	1
	1-22655-1		Cap Assembly—Tank filler.....	All	1
3	42B3581		Cap—Tank.....	All	1
4	1-12965		Nut—Tank filler unit.....	All	1
5	AN900-40		Gasket—Annular copper.....	All	1
6	765-3		Cock—Shut-off.....	All	1
7	AN842-8		Elbow—90 degree hose.....	All	2
8	AN842-10		Elbow—90 degree hose.....	All	1
	55-6162		Installation—Supercharger oil tank support (LH outboard) (see fig. 15).....	All	NP
	55-6162-1		Installation—Supercharger oil tank support (RH outboard) (see fig. 15).....	All	NP
9	55-6162-400		Support Assembly—Oil tank (LH outboard).....	All	1
	55-6162-401		Support Assembly—Oil tank (LH inboard).....	All	1
	55-6162-402		Support Assembly—Oil tank (RH outboard).....	All	2
10	3-19988		Cushion.....	All	4
11	AN3-14A		Strap Assembly.....	All	2
12	AN3-12A		Bolt—Aircraft.....	All	4
13	AN365-1032		Bolt—Aircraft.....	All	2
14	AN520-1032-32		Nut—Self-locking.....	All	6
15	15-6623		Screw—Round head.....	All	2
	15-6623-1		Installation—Supercharger oil tank cradle (LH inboard) (see fig. 9).....	All	NP
16	15-6623-22		Installation—Supercharger oil tank cradle (RH inboard) (see fig. 9).....	All	NP
17	3-19988		Cradle Assembly—Oil tank (inboard).....	All	1
18	AN3-12A		Strap Assembly—Supercharger oil tank.....	All	4
19	AN365-1032		Bolt—Aircraft.....	All	4
20	AN520-1032-32		Nut—Self-locking.....	All	6
	6-8101		Screw—Round head.....	All	2
	6-8101-1		Installation—Cooling air duct support (LH).....	All	NP
	6-8101-5		Installation—Cooling air duct support (RH).....	All	NP
21	6-8101-6		Support Assembly (LH).....	All	1
			Support Assembly (RH).....	All	1

WING

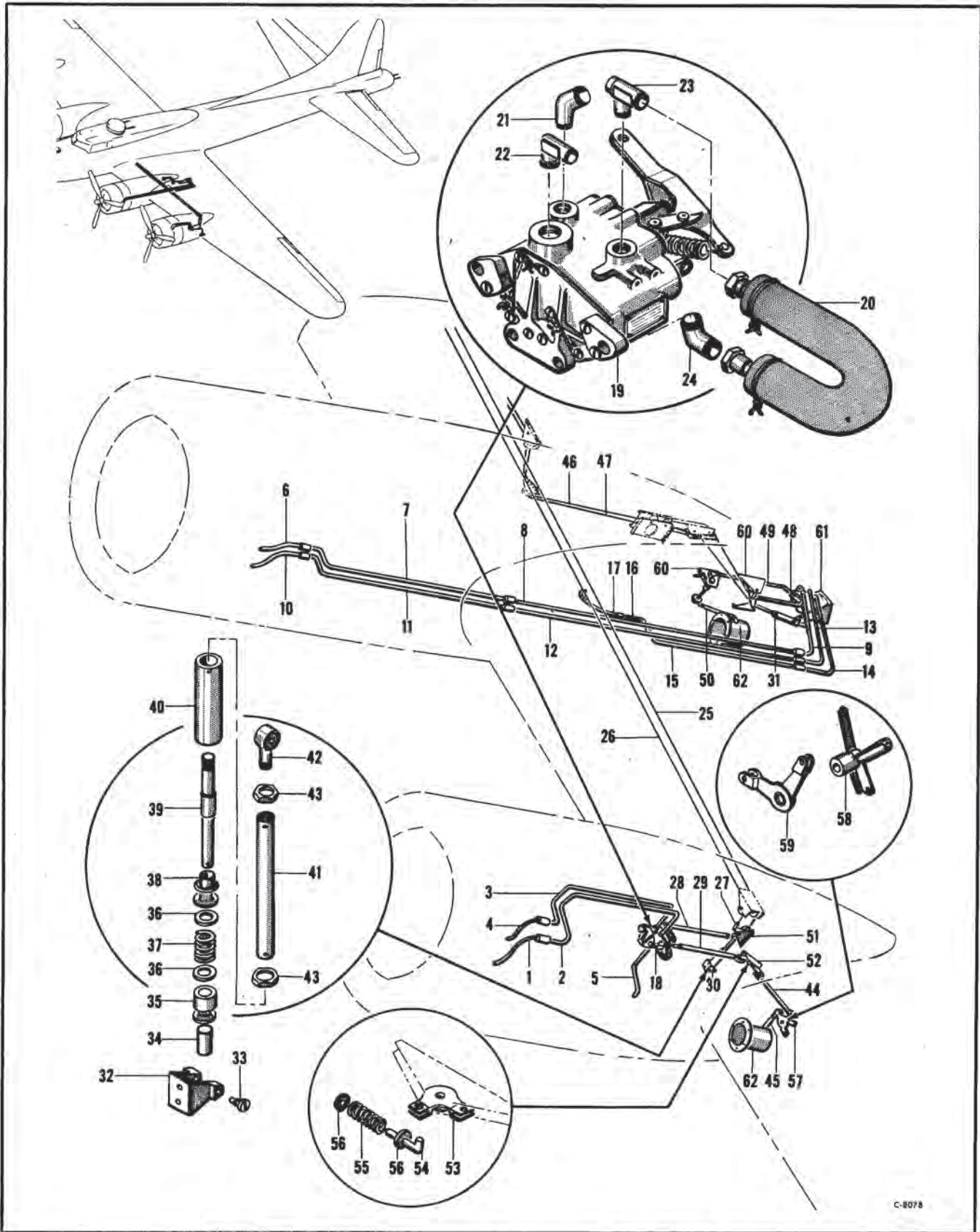


Figure 39—LH Wing Supercharger Regulator Tubing and Controls

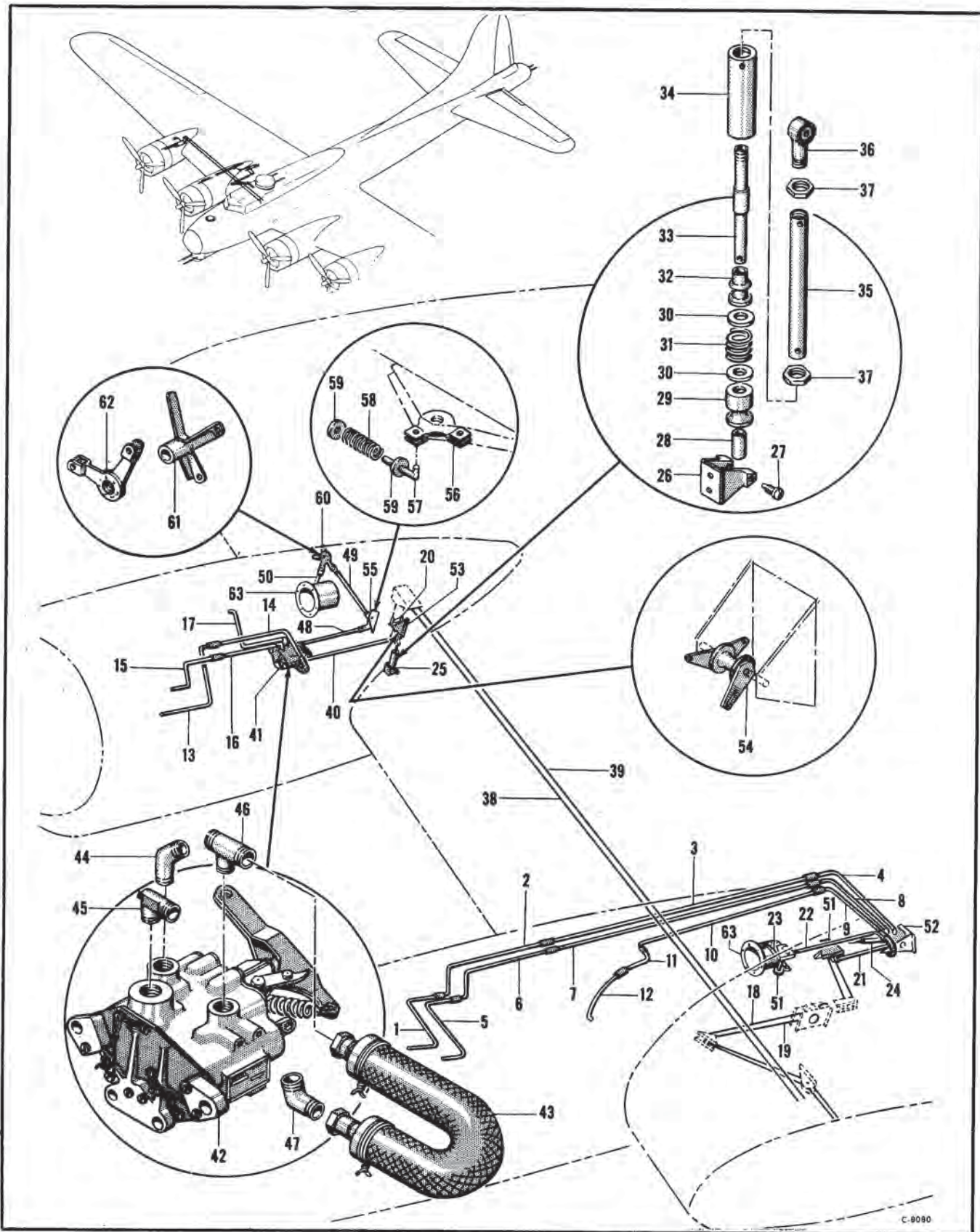
AN 01-20EG-4

WING

LH Wing Supercharger Regulator Tubing and Controls

Figure & Index No.	Part Number	1 2 3 4 5 6 7	Nomenclature	Usage Code	Units Per Assy.
			LH Wing Supercharger Regulator Tubing and Controls.....		
	15-9469		Installation—Supercharger Regulator Tubing.....	E	NP
39-1	85-6164-718		Tube Assembly (oil return to engine).....	E	1
2	85-6164-709		Tube Assembly (oil return to engine).....	E	1
3	85-6164-708		Tube Assembly (oil pressure from engine).....	E	1
4	85-6164-601		Tube Assembly (oil pressure from engine).....	E	1
5	85-6164-700		Tube Assembly (oil pressure balance).....	E	1
6	85-6164-717		Tube Assembly (oil return to engine).....	E	1
7	85-6164-609		Tube Assembly (oil return to engine).....	E	1
8	85-6164-612		Tube Assembly (oil return to engine).....	E	1
9	85-6164-710		Tube Assembly (oil return to engine).....	E	1
10	85-6164-606		Tube Assembly (oil pressure from engine).....	E	1
11	85-6164-608		Tube Assembly (oil pressure from engine).....	E	1
12	15-9469-19		Tube Assembly (oil pressure from engine).....	E	1
13	85-6164-614		Tube Assembly (oil pressure from engine).....	E	1
14	15-9469-5		Tube Assembly (oil pressure balance).....	E	1
15	15-9469-3		Tube Assembly (oil pressure balance).....	E	1
16	15-9469-1		Tube Assembly (oil pressure balance).....	E	1
17	15-9469-13		Tube Assembly (oil pressure balance).....	E	1
	55-7037		Installation—Supercharger control.....	E	NP
	9-3040-9		Installation—Supercharger control regulator.....	E	NP
	9-3040-11		Regulator Assembly—Supercharger.....	E	1
18	9-5539		Unit Assembly—Supercharger regulator.....	E	1
	9-5539-2		Regulator Assembly—Supercharger.....	E	1
19	103611-970-2		Regulator—Supercharger (Eclipse) (Type A-11) (Spec 95-28199) GFE.....	E	1
	3-16928		Blanket Assembly.....	E	1
20	9-5539-5		Tube Assembly.....	E	1
21	4CT45SS		Elbow—45 degree (Parker).....	E	1
22	811CT8		Elbow.....	E	1
23	1-21087		Tee Assembly—Orifice.....	E	1
24	811CT45-8		Elbow—45 degree.....	E	1
25	BAC1824-307-1878		Cable Assembly (supercharger increase).....	E	1
26	BAC1824-307-1956		Cable Assembly (supercharger decrease).....	E	1
27	41-4198		Link—Control cable.....	E	8
28	1-18098-17-6		Rod Assembly—Control.....	E	1
29	1-18947-20-0		Rod Assembly—Engine control.....	E	1
30	9-3727		Installation—Supercharger cartridge (LH outboard).....	E	NP
31	49-3684		Installation—Supercharger cartridge (LH inboard).....	E	NP
	3-14681-2		Cartridge Assembly (LH outboard).....	E	1
	3-14681-1		Cartridge Assembly (LH inboard).....	E	1
32	1-18117-1		Fitting—Tube support (LH outboard).....	E	1
	1-18117		Fitting—Tube support (LH inboard).....	E	1
33	1-18127		Screw—.25 pin head.....	E	2
34	1-18241		Collar—Spring cylinder rod.....	E	1
35	1-18283-2		Bushing—Spring cylinder.....	E	1
36	AN960-516		Washer—Plain.....	E	2
37	1-18795		Spring—Supercharger cartridge.....	E	1
38	1-18283		Bushing—Spring cylinder.....	E	1
39	1-18971		Rod—Spring cylinder.....	E	1
40	1-18282		Tube—Spring cylinder.....	E	1
41	1-21081-6		Tube—Cartridge connector (LH outboard).....	E	1
	1-21081-4		Tube—Cartridge connector (LH inboard).....	E	1
42	RE3M6A		End—Rod (Fafnir).....	E	1
43	AN316-6R		Nut—Aircraft check.....	E	2
44	1-18979-8-2		Rod Assembly—Engine control.....	E	1
45	1-18941-12-6		Rod Assembly—Waste gate.....	E	1
46	BAC1824-307-1060		Cable Assembly (supercharger increase).....	E	1
47	BAC1824-307-1166		Cable Assembly (supercharger decrease).....	E	1
48	1-18979-9-1		Rod Assembly—Engine control.....	E	1
49	1-18947-15-1		Rod Assembly—Engine control.....	E	1
50	1-18941-9-5		Rod Assembly—Waste gate.....	E	1
51	9-3729		Installation—Supercharger control bracket (see fig. 9 and 40).....	E	NP
52	46-8013		Installation—Supercharger control bracket (see fig. 9).....	E	NP
53	3-12090-8		Crank Assembly—Control.....	E	1
54	1-20200		Pin Assembly—Threaded.....	E	1
55	1-20199		Spring—Compression.....	E	1
56	1-20201		Washer—Cup.....	E	2
57	6-8375		Installation—Supercharger control bracket (see fig. 9).....	E	NP
58	3-12212		Bracket—Supercharger control.....	E	1
59	3-8202-90		Crank Assembly—Control.....	E	1
60	65-6142		Installation—Supercharger control bracket (see fig. 11 and 41).....	E	NP
61	9-5538		Unit Assembly—Supercharger regulator (see fig. 41).....	E	Ref
62	15-9796		Installation—Supercharger (see fig. 33 and 34).....	E	NP

WING



C-8080

Figure 40—RH Wing Supercharger Regulator Tubing and Controls

AN 01-20EG-4

WING

RH Wing Supercharger Regulator Tubing and Controls

Figure & Index No.	Part Number	1 2 3 4 5 6 7	Nomenclature	Usage Code	Units Per Assy.
			RH Wing Supercharger Regulator Tubing and Controls.....		
	15-9469		Installation—Supercharger regulator tubing.....	E	NP
40-1	85-6164-715		Tube Assembly (oil return to engine).....	E	1
2	85-6164-619		Tube Assembly (oil return to engine).....	E	1
3	85-6164-612		Tube Assembly (oil return to engine).....	E	1
4	85-6164-711		Tube Assembly (oil return to engine).....	E	1
5	85-6164-716		Tube Assembly (oil pressure from engine).....	E	1
6	85-6164-618		Tube Assembly (oil pressure from engine).....	E	1
7	15-9469-19		Tube Assembly (oil pressure from engine).....	E	1
8	85-6164-622		Tube Assembly (oil pressure from engine).....	E	1
9	15-9469-6		Tube Assembly (oil pressure balance).....	E	1
10	15-9469-4		Tube Assembly (oil pressure balance).....	E	1
11	15-9469-2		Tube Assembly (oil pressure balance).....	E	1
12	15-9469-14		Tube Assembly (oil pressure balance).....	E	1
13	85-6164-714		Tube Assembly (oil return to engine).....	E	1
14	85-6164-713		Tube Assembly (oil return to engine).....	E	1
15	85-6164-627		Tube Assembly (oil pressure from engine).....	E	1
16	85-6164-712		Tube Assembly (oil pressure from engine).....	E	1
17	85-6164-701		Tube Assembly (oil pressure balance).....	E	1
	55-7037		Installation—Supercharger control.....	E	NP
18	BAC1824-307-1070		Cable Assembly (supercharger increase).....	E	1
19	BAC1824-307-1185		Cable Assembly (supercharger decrease).....	E	1
20	41-4198		Link—Control cable.....	E	8
21	1-18979-9-4		Rod Assembly—Engine control.....	E	1
22	1-18947-11-9		Rod Assembly—Engine control.....	E	1
23	1-18941-7-5		Rod Assembly—Waste gate.....	E	1
24	49-3684-1		Installation—Supercharger cartridge (RH inboard).....	E	NP
25	9-3727-1		Installation—Supercharger cartridge (RH outboard).....	E	NP
	3-14681-1		Cartridge Assembly (RH inboard).....	E	1
	3-14681-2		Cartridge Assembly (RH outboard).....	E	1
26	1-18117		Fitting—Tube support (RH inboard).....	E	1
	1-18117-1		Fitting—Tube support (RH outboard).....	E	1
27	1-18127		Screw—.25 pin head.....	E	2
28	1-18241		Collar—Spring cylinder rod.....	E	1
29	1-18283-2		Bushing—Spring cylinder.....	E	1
30	AN960-516		Washer—Plain.....	E	1
31	1-18795		Spring—Supercharger cartridge.....	E	2
32	1-18283		Bushing—Spring cylinder.....	E	1
33	1-18971		Rod—Spring cylinder.....	E	1
34	1-18282		Tube—Spring cylinder.....	E	1
35	1-21081-5		Tube—Cartridge connector (RH inboard).....	E	1
	1-21081-7		Tube—Cartridge connector (RH outboard).....	E	1
36	RE3M6A		End—Rod (Fafnir).....	E	1
37	AN316-6R		Nut—Aircraft check.....	E	2
38	BAC1824-307-1978		Cable Assembly (supercharger increase).....	E	1
39	BAC1824-307-1880		Cable Assembly (supercharger decrease).....	E	1
40	1-18098-17-1		Rod Assembly—Control.....	E	1
	9-3049-10		Installation—Supercharger control regulator.....	E	NP
	9-3049-12		Regulator Assembly—Supercharger.....	E	1
41	9-5539-1		Unit Assembly—Supercharger regulator.....	E	1
	9-5539-2		Regulator Assembly—Supercharger.....	E	1
42	103611-970-2		Regulator—Supercharger (Eclipse) (spec 95-28199) (type A-11) GFE (see T.O. 03-1-6).....	E	2
	3-16928		Blanket Assembly.....	E	1
43	9-5539-7		Tube Assembly—Supercharger regulator.....	E	1
44	4CT-SS		Elbow (Parker).....	E	1
45	811CT8		Elbow.....	E	1
46	1-21087		Tee Assembly—Orifice.....	E	1
47	811CT45-8		Elbow—45 degree.....	E	1
48	1-18947-20-0		Rod Assembly—Engine control.....	E	1
49	1-18098-17-7		Rod Assembly—Control.....	E	1
50	1-18941-12-6		Rod Assembly—Waste gate.....	E	1
51	65-6154		Installation—Supercharger control bracket (see fig. 11 & 42).....	E	NP
52	9-5538-1		Unit Assembly—Supercharger regulator (see fig. 42).....	E	Ref
53	9-3729-1		Installation—Supercharger control bracket (RH) (see fig. 9).....	E	NP
	9-3729		Installation—Supercharger control bracket (LH) (see fig. 9).....	E	NP
54	3-14673		Crank Assembly—Supercharger control (RH).....	E	1
	3-14667		Crank Assembly—Supercharger control (LH).....	E	1
55	46-8014		Installation—Supercharger control bracket (see fig. 9).....	E	NP
56	3-12090-9		Crank Assembly—Control.....	E	1
57	1-20200		Pin Assembly—Threaded.....	E	1
58	1-20199		Spring—Compression.....	E	1
59	1-20201		Washer—Cup.....	E	2
60	6-8376		Installation—Supercharger control bracket (see fig. 9).....	E	NP
	6-8376-1		Bracket Assembly—Supercharger control.....	E	1
61	3-12212-1		Bracket—Control.....	E	1
62	3-8202-91		Crank Assembly.....	E	1
63	15-9796		Installation—Supercharger (see fig. 33 & 34).....	E	NP

Section I I
Group Assembly Parts List

AN 01-20EG-4

WING

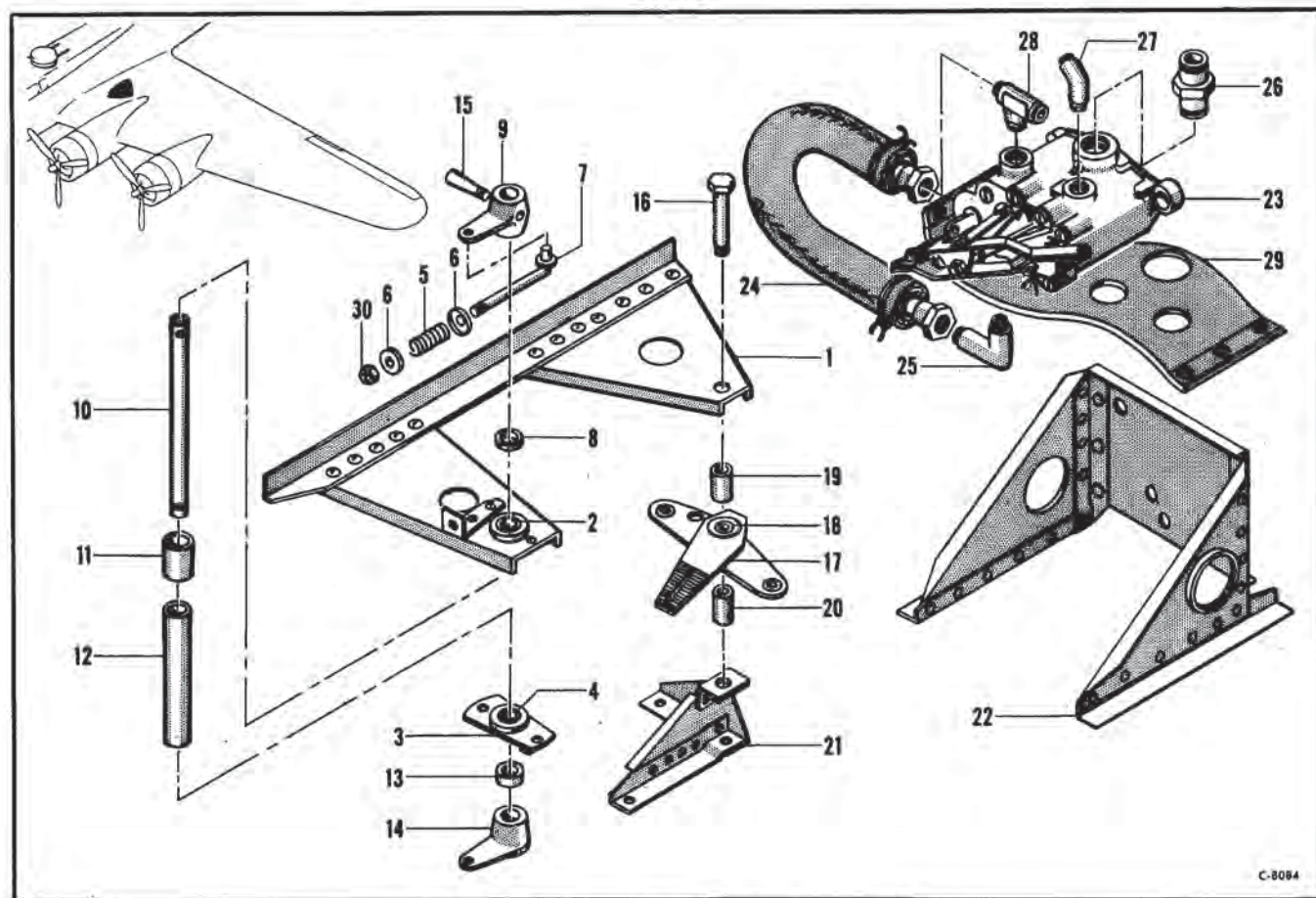


Figure 41—LH Supercharger Control Bracket

LH Supercharger Control Bracket

Figure & Index No.	Part Number	1 2 3 4 5 6 7	Nomenclature	Usage Code	Units Per Assy.
41-1	65-6142		Installation—LH supercharger control bracket (see fig. 11)	E	NP
	65-6142-500		Bracket Assembly—Supercharger control	E	1
2	41-9284		Housing Assembly—Bearing	E	1
3	AN201K8A		Bearing—Metal shielded ball	E	1
	55-6142-1		Bearing Assembly—Supercharger control	E	1
	41-9284		Housing Assembly—Bearing	E	1
4	AN201K8A		Bearing—Metal shielded ball	E	1
5	1-20199		Spring—Compression	E	1
6	1-20201		Washer—Cup	E	2
7	65-6142-505		Shaft Assembly—Supercharger bracket	E	1
	1-20200		Pin Assembly—Threaded	E	1
8	BAC1608-8		Spacer—1-2 bolt	E	1
9	1-17588-5		Lever—Engine control	E	1
10	41-4023-8-22		Shaft	E	1
11	55-6142-3		Tube—Gray fiber	E	1
12	55-6142-19		Tube—Gray fiber	E	1
13	BAC1608-41		Spacer—1-2 bolt	E	1
14	17588-4		Lever—Engine control	E	1
15	PN386-1-7		Pin—Threaded taper	E	1
16	AN4-24		Bolt—Aircraft	E	1
17	3-14669		Crank Assembly	E	1
18	BC4W10		Bearing—Ball control (Fafnir)	E	1
19	BAC1604-38		Spacer—1-4 bolt	E	1
20	BAC1604-48		Spacer—1-4 bolt	E	1
21	65-6142-502		Bracket Assembly—Supercharger control	E	1
	65-6142-506		Regulator Assembly—Supercharger	E	1
22	9-3038		Bracket Assembly—Supercharger regulator support	E	1
	9-5538-1		Unit Assembly—Supercharger regulator	E	1
	9-5538-2		Regulator Assembly—Supercharger	E	1
23	103611-970-2		Regulator—Supercharger (Eclipse) (TypeA-11) (Spec 95-28199) GFE(See T.O. 03-1-6)	E	1
24	9-5538-6		Tube—Supercharger control bracket	E	1
25	811CT8		Elbow	E	1
26	811FT8		Nipple	E	1
27	4CT45SS		Elbow—45 degree	E	1
28	1-21087		Tee Assembly	E	1
29	3-16928		Blanket Assembly	E	1
30	AN365-832		Nut—Self-locking	E	1

WING

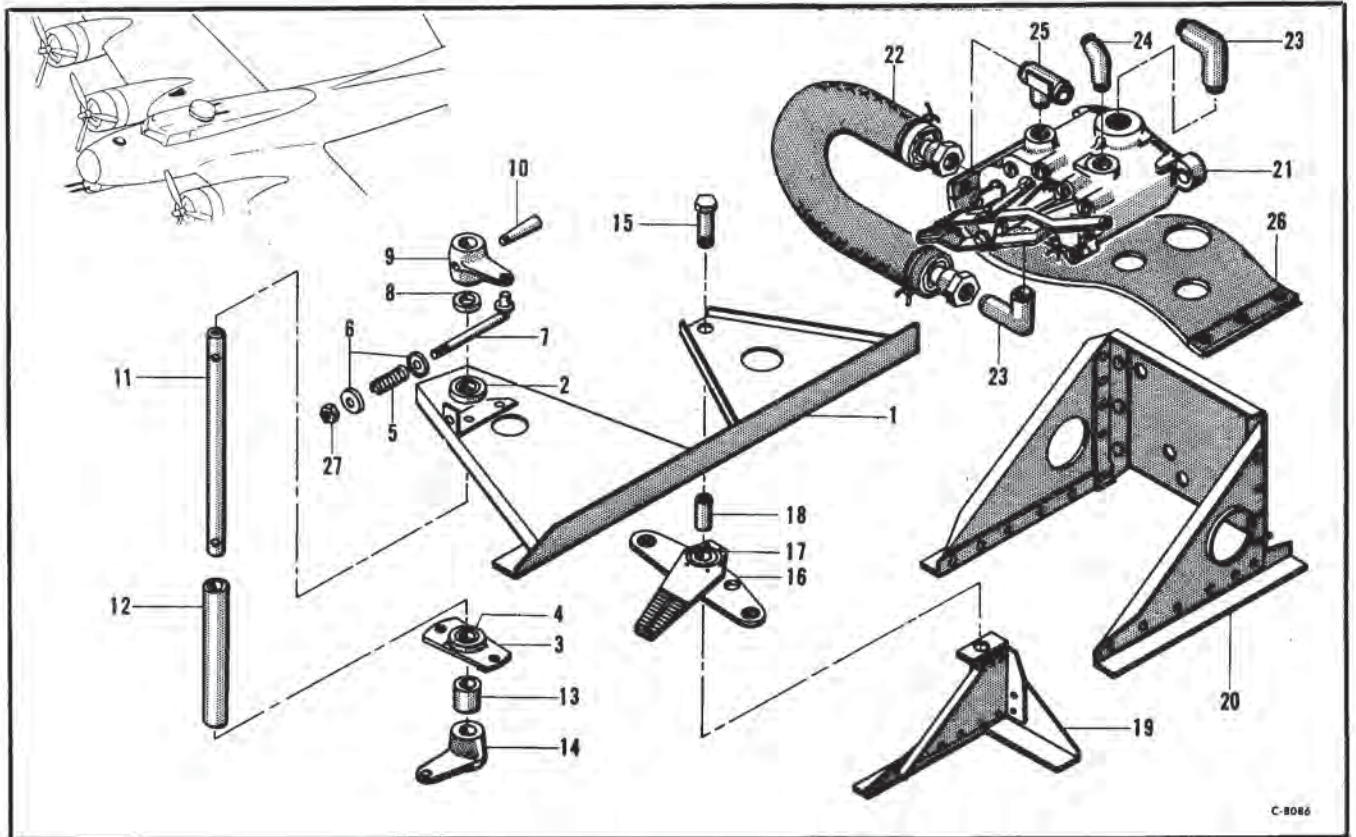
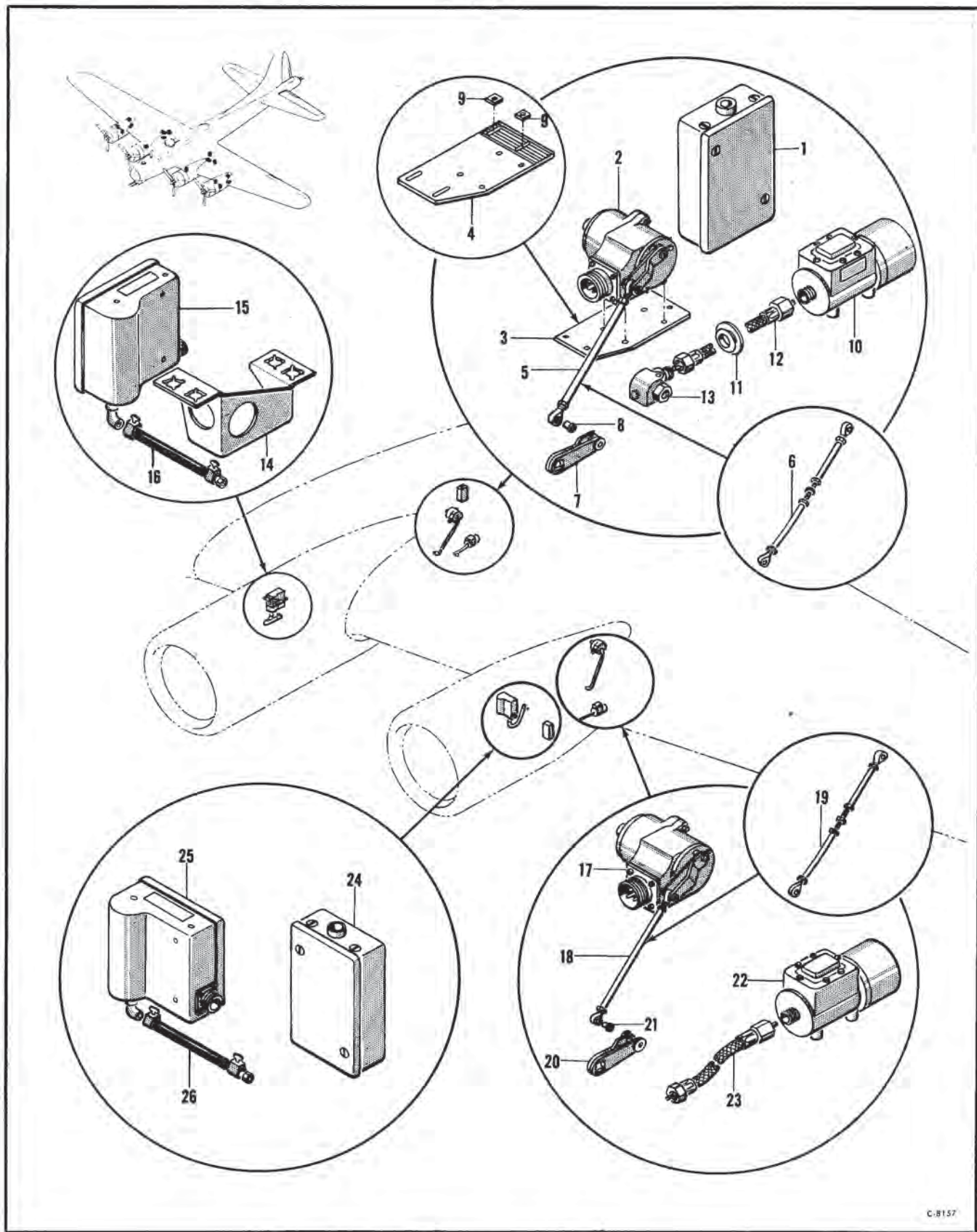


Figure 42—RH Supercharger Control Bracket

RH Supercharger Control Bracket

Figure & Index No.	Part Number	1	2	3	4	5	6	7	Nomenclature	Usage Code	Units Per Assy.
	65-6154								Installation—RH supercharger control bracket (see fig. 11).....	E	NP
42-1	65-6154-500								Bracket Assembly—Supercharger control.....	E	1
	41-9284								Housing Assembly—Bearing.....	E	1
2	AN201K8A								Bearing—Metal shielded ball.....	E	1
3	55-6154-2								Bearing Assembly.....	E	1
	41-9284								Housing Assembly—Bearing.....	E	1
4	AN201K8A								Bearing—Metal shielded ball.....	E	1
5	1-20199								Spring—Compression.....	E	1
6	1-20101								Washer—Cup.....	E	2
	65-6154-502								Shaft Assembly.....	E	1
7	1-20200								Pin Assembly—Threaded.....	E	1
8	BAC1608-8								Spacer.....	E	1
9	1-17588-5								Lever—Engine control.....	E	1
10	AN386-1-7								Pin—Threaded taper.....	E	1
11	41-4023-8-10								Shaft.....	E	1
12	55-6154-18								Tube.....	E	1
13	BAC1608-41								Spacer—1-2 bolt.....	E	1
14	1-17588-4								Lever—Engine control.....	E	1
15	AN4-20								Bolt—Aircraft.....	E	1
16	3-14671								Crank Assembly—Supercharger control.....	E	1
17	BC4W10								Bearing—Ball control (Fafnir).....	E	1
18	BAC1604-50								Spacer.....	E	1
19	55-6154-6								Bracket Assembly—Supercharger control.....	E	1
	65-6154-504								Regulator Assembly—Supercharger control.....	E	1
20	9-3038								Bracket Assembly—Supercharger regulator support.....	E	1
	9-5538								Unit Assembly—Supercharger regulator.....	E	1
	9-5538-2								Regulator Assembly—Supercharger.....	E	1
21	103611-970-2								Regulator—Supercharger (Eclipse) (type A-11) (spec 95-28199) GFE (see T.O. 03-1-6).....	E	1
22	9-5538-6								Tube—Supercharger control bracket.....	E	1
23	811CT8								Elbow.....	E	2
24	4CT45SS								Elbow—45 degree.....	E	1
25	1-21087								Tee Assembly.....	E	1
26	3-16928								Blanket Assembly.....	E	1
27	AN365-832								Nut—Self-locking.....	E	1

WING



C-8157

Figure 43—Turbo-electric Regulator

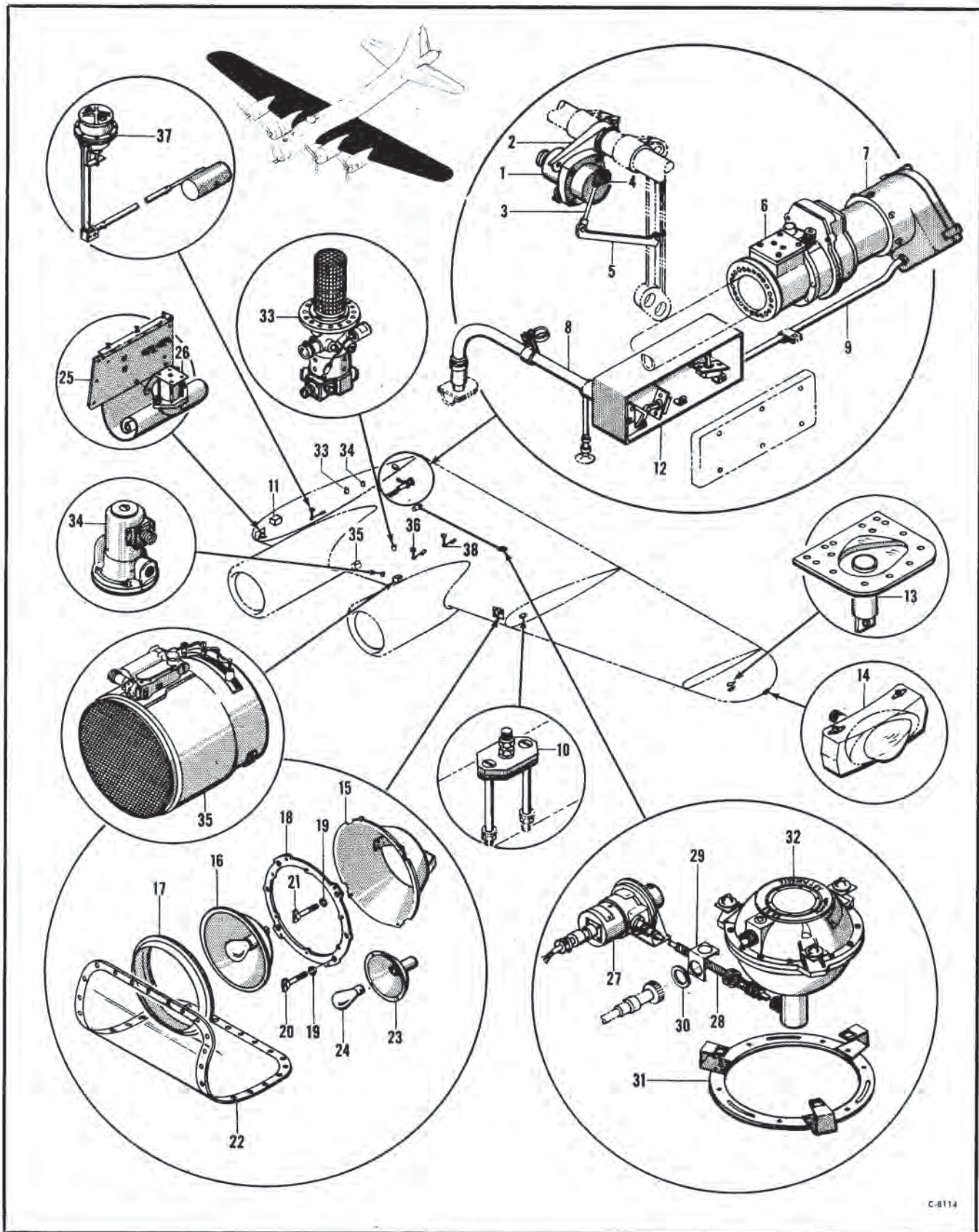
AN 01-20EG-4

WING

Turbo-electric Regulator

Figure & Index No.	Part Number	1	2	3	4	5	6	7	Nomenclature	Usage Code	Units Per Assy.
	15-11177								Installation—Turbo-electric regulator wing	All	NP
	9-8623								Installation—Turbo-electric junction box (LH inboard)	ZE	NP
	9-8623-1								Installation—Turbo-electric junction box (RH inboard)	ZE	NP
43-1	G1065A1CA1								Box—Junction (Minneapolis-Honeywell) GFE	ZE	1
	14-3704								Installation—Turbo-electric (LH inboard)	ZE	NP
	14-3706								Installation—Turbo-electric (RH inboard)	ZE	NP
	14-3704-1								Motor Assembly (LH inboard)	VE	1
	14-3706-1								Motor Assembly (RH inboard)	VE	1
	14-3704-2								Motor Assembly (LH inboard)	SN	1
	14-3706-2								Motor Assembly (RH inboard)	SN	1
2	G303A-Y2CA1								Motor (Minneapolis-Honeywell) GFE	ZE	1
3	3-21422								Plate—Support (used on 14-3704-1 only)	IE	1
	3-21422-1								Plate—Support (used on 14-3704-1 only)	GF	1
4	3-31104								Plate—Support (used on 14-3704-2 only)	SN	1
5	1-18941-13-7								Rod Assembly—Waste gate	JE	1
	RE3M6-2N								End—Rod (Fafnir)	JE	1
	1-18936								End—Rod	JE	1
6	3-25389								Rod Assembly—Waste gate	PF	1
	3-25389-6								Rod Assembly—Waste gate	SN	1
	RE3M6-2N								End—Rod (Fafnir)	QF	1
	3-25390								Screw—Adjusting	QF	1
	1-18936								End—Rod	QF	1
7	3-21391-1								Lever Assembly—Engine control	SC	1
	3-21391-5								Lever Assembly—Engine control	VP	1
8	1-18984								Bushing—Rod end	SC	1
	1-18984-1								Bushing—Rod end	VP	1
9	3-31105								Washer—Serrated	SN	2
	15-11662								Installation—Turbo control governor (LH inboard)	ZE	NP
	15-11662-6								Installation—Turbo control governor (RH inboard)	YO	NP
	15-11662-3								Governor Assembly	ME	1
	15-11662-4								Governor Assembly	BH	1
	15-11662-5								Governor Assembly	YO	1
10	G1057A3CA1								Governor (Minneapolis-Honeywell) GFE	ME	1
	G1057A4CA1								Governor (Minneapolis-Honeywell) GFE	EH	1
11	3-28836								Grommet—Supercharger seal	KM	1
12	G1075A2								Shaft Assembly—Flexible (Minneapolis-Honeywell) GFE	ZE	1
13	7800-6								Adapter (Peerless of America)	ZE	1
	15-11604								Installation—Turbo-electric pressureretrol (LH inboard)	ZE	NP
	15-11604-1								Installation—Turbo-electric pressureretrol (RH inboard)	ZE	NP
14	15-11604-2								Bracket Assembly	ZE	1
15	G16A2CA1								Pressureretrol (Minneapolis-Honeywell) GFE	ZE	1
16	AN884-4-32								Hose—Resistant synthetic	ZE	1
	AN842-4								Elbow—90 degree hose	ZE	1
	AN844-4								Elbow—45 degree hose	ZE	1
	15-11667								Installation—Turbo-electric motor (LH outboard)	ZE	NP
	15-11671								Installation—Turbo-electric motor (RH outboard)	ZE	NP
	15-11667-1								Motor Assembly (LH outboard)	ZE	1
	15-11671-1								Motor Assembly (RH outboard)	ZE	1
17	G303A-Y2CA1								Motor (Minneapolis-Honeywell) GFE	ZE	1
18	1-18941-13-7								Rod Assembly—Waste gate	JE	1
	RE3M6-2N								End—Rod (Fafnir)	JE	1
	1-18936								End—Rod	JE	1
19	3-25389								Rod Assembly—Waste gate	QF	1
	RE3M6-2N								End—Rod (Fafnir)	QF	1
	3-25390								Screw—Adjusting	QF	1
	1-18936								End—Rod	QF	1
20	3-21391								Lever Assembly—Engine control	SC	1
	3-21391-4								Lever Assembly—Engine control	VP	1
21	1-18984								Bushing—Rod end	SC	1
	1-18984-1								Bushing—Rod end	VP	1
	15-11618								Installation—Turbo-electric governor (outboard)	ZE	NP
	15-11618-1								Governor Assembly	ME	1
	15-11618-2								Governor Assembly	CH	1
	15-11618-3								Governor Assembly	NP	1
22	G1057A3CA1								Governor (Minneapolis-Honeywell) GFE	ME	1
	G1057A4CA1								Governor (Minneapolis-Honeywell) GFE	EH	1
23	G1075A2								Shaft Assembly—Flexible (Minneapolis-Honeywell) GFE	ZE	1
	9-5898								Installation—Turbo-electric junction box (LH outboard)	ZE	NP
	9-5898-1								Installation—Turbo-electric junction box (RH outboard)	ZE	NP
24	G1065A								Box—Junction (Minneapolis-Honeywell) GFE	ZE	1
	15-11619								Installation—Turbo-electric pressureretrol (LH outboard)	ZE	NP
	15-11619-1								Installation—Turbo-electric pressureretrol (RH outboard)	ZE	NP
25	G16A2CA1								Pressureretrol (Minneapolis-Honeywell) GFE	ZE	1
26	AN884-4-32								Hose—Resistant synthetic	ZE	1
	AN844-4								Elbow—45 degree hose	ZE	1
	AN842-4								Elbow—90 degree hose	ZE	1

WING



C-8114

Figure 44—Wing Electrical

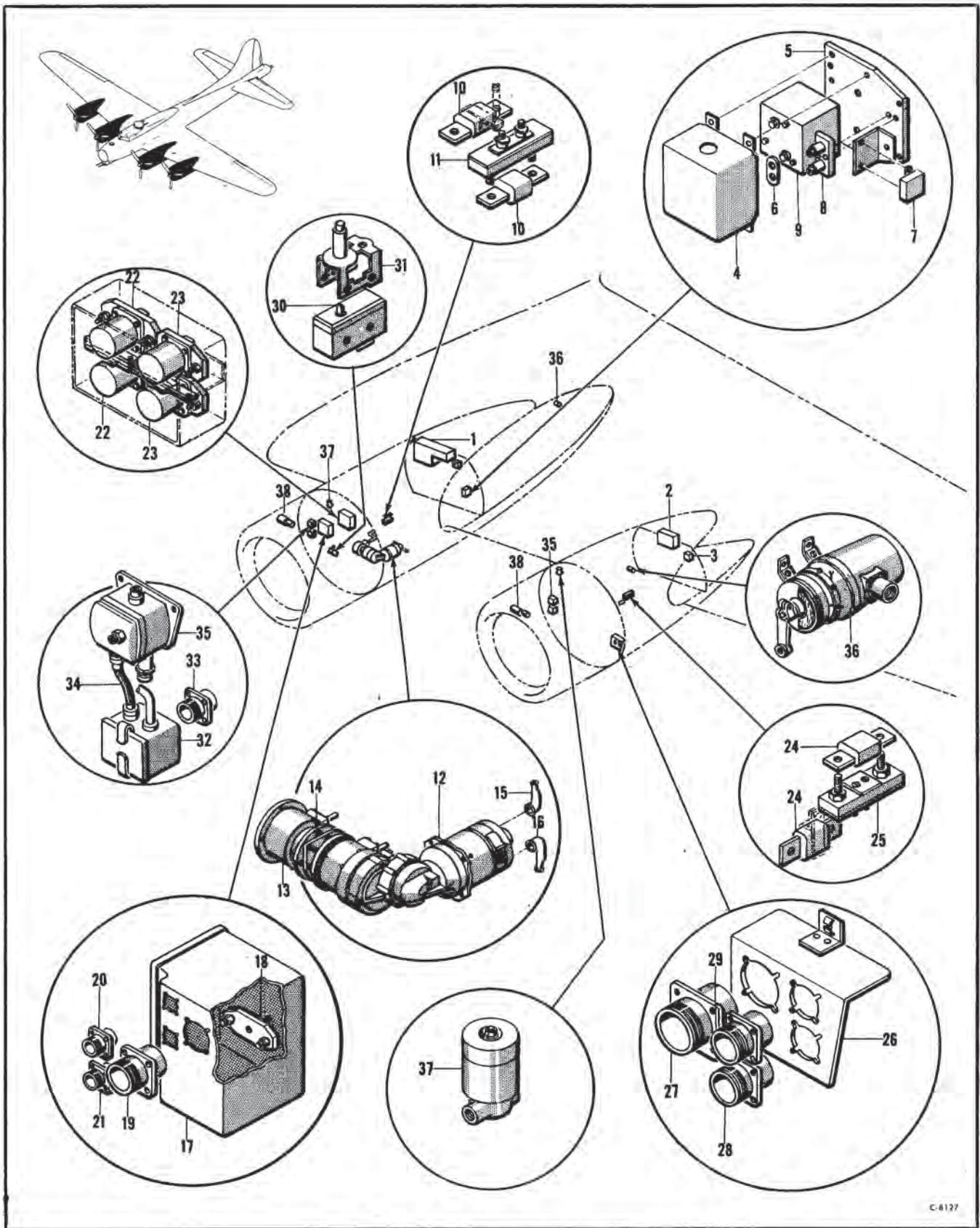
AN 01-20EG-4

WING

Wing Electrical

Figure & Index No.	Part Number	1	2	3	4	5	6	7	Nomenclature	Usage Code	Units Per Assy.
									Wing Electrical		
	55-7332								Installation—Electrical equipment	All	NP
	6-9214								Installation—Flap position indicator (LH)	All	NP
	6-9214-5								Indicator Assembly	All	1
44-1	4550-2								Transmitter—Position (Pioneer)	All	1
2	3-13009								Bracket Assembly—Autosyn transmitter	All	1
3	6-9214-3								Bolt—Eye	All	1
4	41-9801								Arm—Indicator	All	1
5	41-9268-5-16								Link—Indicator	All	1
	AN42-7A								Bolt—Eye	All	1
	7-1335-1								Installation—Flap motor (LH)	All	NP
6	786-1								Motor Assembly—Wing flap (Eclipse) (see T.O. 03-50C-26)	All	1
7	53-6388								Shield Assembly—Retracting motor	All	1
	41-7074-1								Bushing—Insulating	All	2
	41-9505								Insulator	All	1
	3-28883								Key—Retracting motor	All	1
	48-1078								Installation—Flap motor vent (LH)	All	NP
8	48-1078-400								Vent Assembly	SC	1
	48-1078-408								Vent Assembly	VP	1
	31-1177-3								Nut	All	1
	31-1176-3								Clamp	All	1
9	48-1078-404								Tube	All	1
	31-1177-2								Nut	All	2
	31-1176-2								Clamp	All	2
	3-13551								Installation—Station 19 wing panel (LH)	All	NP
	3-13551-1								Installation—Station 19 wing panel (RH)	All	NP
10	41-5123								Panel Assembly—Connector	All	1
	41-5124								Insulator	All	1
11	14-1945								Installation—Battery (LH) (see fig. 47)	All	NP
	14-1945-1								Installation—Battery (RH) (see fig. 47)	All	NP
12	6-8325								Shield Assembly—Flap limit switch (see fig. 19)	All	Ref
13	49-1777-409								Installation—Wing running light (LH) (see fig. 3)	Z	NP
	49-1777-410								Installation—Wing running light (RH) (see fig. 3)	Z	NP
14	2-1885								Installation—Position lamp (LH) (see fig. 3)	YG	NP
	2-1885-1								Installation—Position lamp (RH) (see fig. 3)	YG	NP
	55-7607-2								Installation—Landing and passing lamp (LH) (see fig. 11)	All	NP
	55-7607-3								Installation—Landing and passing lamp (RH) (see fig. 11)	All	NP
	55-7607-4								Lamp Assembly	All	1
15	6-11939								Bracket Assembly—Landing lamp	All	1
16	AN3130-4560								Lamp—Par-64 bulb landing GFE	All	1
17	1-21458-1								Adapter GFE	All	1
18	6-7369								Plate—Landing lamp	All	1
19	21-9588-9								Washer—Ball seat	All	4
20	55-7607-6								Screw	All	2
21	55-7607-7								Screw	All	2
22	9-3648								Lens (LH)	All	1
	9-3648-1								Lens (RH)	All	1
23	37D4865								Lamp Assembly (LH) GFE	Z	1
24	AN3133-11								Lamp—S-11 single-contact (LH) GFE	Z	1
	15-13703								Installation—Battery fuses and solenoid panel (LH)	IL	NP
	15-13703-1								Installation—Battery fuses and solenoid panel (RH)	IL	NP
25	9-6742								Panel Assembly (LH)	HL	1
	9-6749								Panel Assembly (RH)	HL	1
	9-6742-3								Panel Assembly (LH)	PQ	1
	9-6749-4								Panel Assembly (RH)	NQ	1
	9-6749-5								Panel Assembly (RH)	YQ	1
	6-16383								Cover Assembly	HL	1
	6-16383-2								Cover Assembly	PQ	1
26	NO NUMBER								Relay—Current (LH) (Spec 94-32324B) (Type B-4) GFE	All	1
	NO NUMBER								Relay—Current (RH) (Spec 94-32324B) (Type B-4) GFE	All	2
	15-10429								Installation—Remote reading compass equipment	All	NP
	15-10438								Installation—Remote compass transmitter	All	NP
27	AN5754-1								Motor—Caging GFE	BB	1
	AN5754-2								Motor—Caging GFE	BL	1
28	3374Y								Drive Assembly—Flexible (S. S. White)	All	1
29	3-22295								Cover—Breather hole	B	1
30	1-29212								Washer—Rubber cork	B	1
31	6-14345								Ring Assembly—Remote compass	All	1
32	12002-1								Transmitter Assembly (Pioneer) GFE	All	1
33	TFD12000								Pump Assembly—Fuel booster (Thompson) (see T.O. 03-10EC-4) (see fig. 23)	All	Ref
34	2660								Valve—Fuel shut-off (Electromagnetic) (see fig. 23)	All	Ref
35	2R6697								Regulator Assembly (shutter and thermostat valve) (Airesearch) (see T.O. 03-15-17) (see fig. 29)	FO	Ref
	17556								Regulator Assembly—Oil temperature (Airesearch) (see T.O. 03-15-17) (see fig. 29)	XQ	Ref
36	2E3078								Regulator Assembly (shutter control valve) (Airesearch) (see T.O. 03-15-17) (see fig. 29)	ZB	Ref
	EA15-10								Unit Assembly—Fuel gage (Liquidometer) (see fig. 25)	RF	Ref
	EA15W								Unit Assembly—Fuel gage (Liquidometer) (see fig. 25)	L	Ref
37	EA15-11								Unit Assembly—Fuel gage (Liquidometer) (see fig. 25)	NG	Ref
	EA15W								Unit Assembly—Fuel gage (Liquidometer) (see fig. 25)	T	Ref
38	EA15-12								Unit Assembly—Fuel gage (Liquidometer) (see fig. 25)	DG	Ref
	EA15W								Unit Assembly—Fuel gage (Liquidometer) (see fig. 25)	S	Ref

WING



C-4127

Figure 45—Nacelle Electrical

AN 01-20EG-4

WING

Nacelle Electrical

Figure & Index No.	Part Number	1 2 3 4 5 6 7	Nomenclature	Usage Code	Units Per Assy.
			Nacelle Electrical		
	55-7332		Installation—Electrical equipment	All	NP
45-1	15-9270		Installation—Nacelle no. 2 solenoid inboard (see fig. 46)	All	NP
	15-9270-1		Installation—Nacelle no. 3 solenoid inboard (see fig. 46)	All	NP
2	58-1215		Installation—Nacelle no. 1 shield outboard (see fig. 46)	All	NP
	58-1215-1		Installation—Nacelle no. 4 shield outboard (see fig. 46)	All	NP
3	7-1958-16		Installation—Generator relay no. 1 outboard (see fig. 46)	All	NP
	7-1958-15		Installation—Generator relay no. 4 outboard (see fig. 46)	All	NP
	9-4918-6		Installation—Generator relay shield (LH inboard)	All	NP
	9-4919-9		Installation—Generator relay shield (RH inboard)	All	NP
	9-4918-14		Shield Assembly (LH)	IC	1
	9-4919-14		Shield Assembly (RH)	IC	1
	9-4918-15		Shield Assembly (LH)	VO	1
	9-4919-17		Shield Assembly (RH)	VO	1
	9-4918-16		Shield Assembly (LH)	ZQ	1
	9-4919-18		Shield Assembly (RH)	ZQ	1
4	3-16456-4		Shield Assembly	All	1
5	3-16919-5		Panel Assembly	All	1
6	9-4918-3		Bus Assembly (LH)	All	1
	9-4919-3		Bus Assembly (RH)	All	1
7	CA275X		Capacitor (P. R. Mallory)	All	1
8	AN3200-2		Shunt—External ammeter GFE	IC	1
9	AN3024-1		Switch—Generator control relay GFE	ID	1
	NO NUMBER		Relay (Type 3GTR72E4) GFE	ZQ	1
	6-13504		Installation—No. 2 nacelle limiter (LH inboard)	All	NP
	6-13505		Installation—No. 3 nacelle limiter (RH inboard)	All	NP
10	FLLH		Limiter (A9506—Burndy Engineering Co.)	All	2
11	FSH		Mount—Limiter (A9338—Burndy Engineering Co.)	All	1
	15-6345		Installation—Landing gear retracting motor (LH inboard)	All	NP
	15-6345-1		Installation—Landing gear retracting motor (RH inboard)	All	NP
12	1073-3		Motor Assembly—Landing gear (Eclipse) (LH inboard) (see AN03-5CC-26)	GC	1
	1073-2		Motor Assembly—Landing gear (Eclipse) (RH inboard) (see AN03-5CC-26)	GC	1
	1073-1		Motor Assembly—Landing gear (Eclipse) (see AN03-5CC-26)	RO	1
	6-19330		Retractor Assembly—Emergency hand (LH)	RO	1
	6-19330-1		Retractor Assembly—Emergency hand (RH)	RO	1
13	D129712-1		Box—Gear (Eclipse) (see T.O. 03-1-5)	RO	1
	6-19330-2		Plate—Cover	RO	1
14	3-28816		Adapter—Hand retraction	RO	1
	BAC1002-20		Key—5-32 square	WA	1
	3-28883		Key	KK	2
15	066424		Cover—Terminal rubber	All	1
16	1-30217		Cover—Terminal rubber	All	1
	46-83339		Installation—Inboard starter connector shield	All	NP
	46-83339-9		Shield Assembly	EA	1
17	3-12106		Shield Assembly—Junction	EA	1
18	41-5123		Panel Assembly	EA	1
19	AN3102-24-1S		Receptacle—Electrical connector	EA	1
	AN3100-24-1S		Receptacle—Electrical connector	QH	1
20	AN3102-16-13P		Receptacle—Electrical connector	EA	1
	AN3100-16-13P		Receptacle—Electrical connector	QH	1
21	AN3102-16S4S		Receptacle—Electrical connector	EA	1
	AN3100-16S4S		Receptacle—Electrical connector	QH	1
	15-13296		Installation—Nacelle solenoid inboard	IL	NP
	15-13296-1		Support Assembly	FL	1
	15-13296-2		Support Assembly	HN	1
	15-13296-3		Support Assembly	VP	1
22	NO NUMBER		Solenoid (Spec 94-32324) (Type B-4) GFE	FL	1
	NO NUMBER		Solenoid (Spec 94-32324) (Type B-4) GFE	HN	2
23	NO NUMBER		Relay (Spec 32424A) (Type B-8) GFE	JN	2
	6-13503		Installation—Nacelle limiter outboard (LH)	All	NP
	6-13503-1		Installation—Nacelle limiter outboard (RH)	All	NP
24	FLLF		Limiter (A9506—Burndy Engineering Co.)	All	2
25	FSH		Mount—Limiter (A9338—Burndy Engineering Co.)	All	1
	46-83335		Installation—Starter connector shield outboard	All	NP
	3-20783		Support Assembly	All	1
27	AN3102-24-1S		Receptacle—Electrical connector	All	1
28	AN3102-16S4S		Receptacle—Electrical connector	All	1
29	AN3102-16-13P		Receptacle—Electrical connector	All	1
	6-20729		Installation—Warning light switch (LH inboard)	NQ	NP
	6-20729-1		Installation—Warning light switch (RH inboard)	NQ	NP
30	AN3210-1		Switch—Low travel limit	NQ	1
31	M2		Actuator (Micro-Switch)	NQ	1
	9-6603		Installation—Nacelle vibrator inboard	All	NP
	9-6602		Installation—Nacelle vibrator outboard	All	NP
32	9-6603-1		Shield Assembly (inboard)	All	1
	9-6602-1		Shield Assembly (outboard)	All	1
33	AN3102-20-6P		Receptacle—Electrical connector	All	1
34	9-6603-4		Conduit Assembly (inboard)	All	1
	9-6602-4		Conduit Assembly (outboard)	All	1
35	VJR24B5		Vibrator—Induction (American Bosch Co.) GFE	All	1
36	ALYC5091		Motor (Barber-Colman) (see fig. 36)	All	Ref
37	M441M2		Valve Assembly—Oil dilution (Air Associates) (see T.O. 03-15-17) (see fig. 30)	RA	Ref
	UC1070		Valve—Solenoid (United Aircraft) (see AN03-15-24) (see fig. 30)	SJ	Ref
38	1E-VR280BRC		Motor and Pump (Hamilton) GFE (see fig. 27)	All	Ref

Section I I
Group Assembly Parts List

AN 01-20EG-4

WING

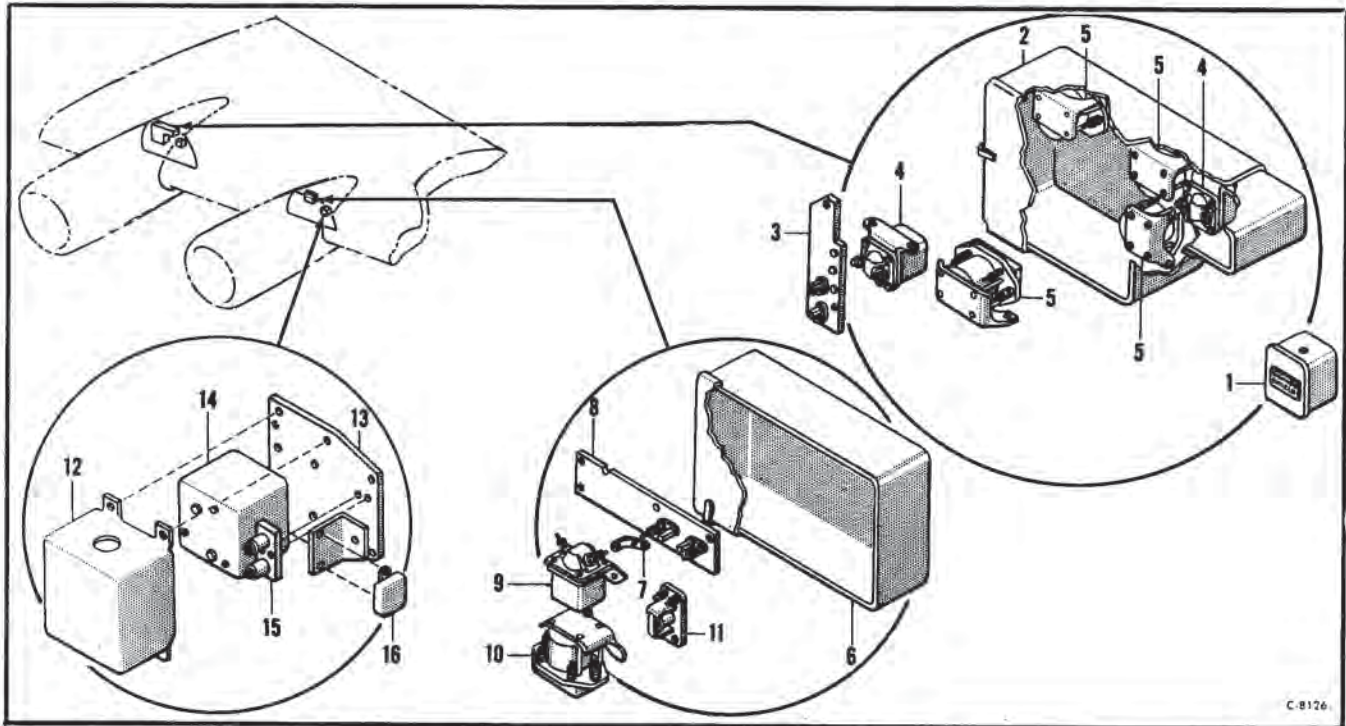


Figure 46—Nacelle Solenoid and Shields

Nacelle Solenoid and Shields

Figure & Index No.	Part Number	1	2	3	4	5	6	7	Nomenclature	Usage Code	Units Per Assy.
									Nacelle Solenoid and Shields.....		
									Installation—Inboard nacelle solenoid (LH) (see fig. 48).....	All	NP
									Installation—Inboard nacelle solenoid (RH) (see fig. 48).....	All	NP
48-1	15-9270-1								Shield Assembly (LH).....	All	1
	15-9270-6								Shield Assembly (RH).....	All	1
	15-9270-7								Shield Assembly (LH).....	EA	1
	15-9270-14								Shield Assembly (RH).....	EA	1
	15-9270-15								Shield Assembly (LH).....	EA	1
	15-9270-16								Shield Assembly (RH).....	MH	1
	15-9270-17								Shield Assembly (LH).....	JH	1
	15-9270-20								Shield Assembly (RH).....	VH	1
2	9-4649								Shield Assembly—Inboard nacelle fuse (LH).....	CB	1
	9-4649-12								Shield Assembly—Inboard nacelle fuse (RH).....	CB	1
3	6-9314-2								Panel Assembly—No. 2 nacelle fuse (LH).....	CB	1
	6-9313-5								Panel Assembly—No. 3 nacelle fuse (RH).....	JH	1
	6-9313-6								Panel Assembly—No. 3 nacelle fuse (RH).....	VH	1
4	NO NUMBER								Solenoid (Spec 94-32181) GFE.....	All	2
5	NO NUMBER								Solenoid (LH) (Spec 94-32324) (Type B-4) GFE.....	CB	2
	NO NUMBER								Solenoid (RH) (Spec 94-32324) (Type B-4) GFE.....	All	3
	NO NUMBER								Solenoid (RH) (Spec 94-32324) (Type B-8) GFE.....	CB	1
	58-1215								Installation—Outboard nacelle shield (LH) (see fig. 45).....	All	NP
	58-1215-1								Installation—Outboard nacelle shield (RH) (see fig. 45).....	All	NP
	58-1215-510								Shield Assembly (LH).....	EA	1
	58-1215-511								Shield Assembly (RH).....	EA	1
	58-1215-519								Shield Assembly (LH).....	EA	1
	58-1215-520								Shield Assembly (RH).....	PH	1
	58-1215-531								Shield Assembly (LH).....	JN	1
	58-1215-532								Shield Assembly (RH).....	JN	1
	58-1215-503								Box Assembly (LH).....	EA	1
	58-1215-504								Box Assembly (RH).....	EA	1
	58-1215-521								Box Assembly (LH).....	EA	1
	58-1215-522								Box Assembly (RH).....	EA	1
6	6-7538								Shield Assembly—Tail wheel solenoid.....	QH	1
7	3-19288								Bus Assembly—Solenoid (LH).....	All	1
	3-19288-1								Bus Assembly—Solenoid (RH).....	EA	1
8	56-8983-2								Panel Assembly—Junction fuse (LH).....	EA	1
	56-8983-3								Panel Assembly—Junction fuse (RH).....	All	1
9	NO NUMBER								Switch—Solenoid (Spec 94-32181) (Type D-1) GFE.....	All	1
10	NO NUMBER								Relay (Spec 94-32324) (Type B-4) GFE.....	EA	1
	NO NUMBER								Relay (Spec 94-32324) (Type B-8) GFE.....	UB	1
11	6041H57								Relay (Cutler-Hammer).....	QH	1
	7-1958-16								Installation—Generator relay shield (LH) (See fig. 48).....	All	NP
	7-1958-15								Installation—Generator relay shield (RH) (see fig. 48).....	All	NP
	7-1958-19								Shield Assembly.....	IC	1
	7-1958-22								Shield Assembly.....	VO	1
	7-1958-23								Shield Assembly.....	ZQ	1
12	3-16456-4								Shield Assembly—Generator relay.....	All	1
	7-1958-5								Bus Assembly.....	All	1
13	3-16919-5								Panel Assembly—Generator relay.....	All	1
14	AN3024-1								Relay—Generator control relay GFE.....	All	1
	NO NUMBER								Relay (Type 3GTR72E4) GFE.....	ID	1
15	AN3200-2								Shunt—External ammeter GFE.....	ZQ	1
16	CA275X								Capacitor (P. R. Mallory).....	IC	1

WING

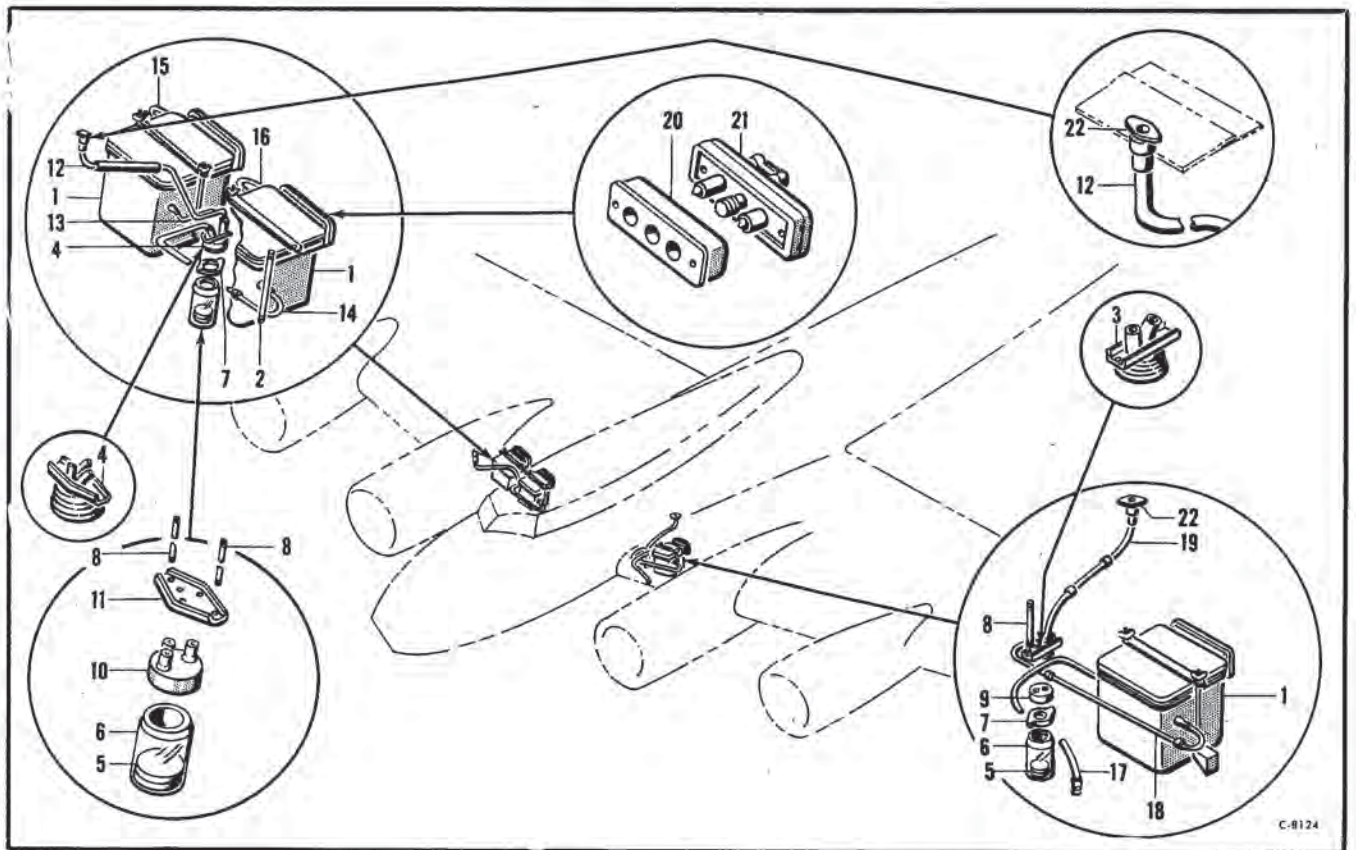


Figure 47—Storage Battery Compartment

Storage Battery Compartment

Figure & Index No.	Part Number	1	2	3	4	5	6	7	Nomenclature	Usage Code	Units Per Assy.
	14-1945								Storage Battery Compartment		NP
	14-1945-1								Installation—Battery (LH) (see fig. 44)	All	NP
47-1	AN3150								Installation—Battery (RH) (see fig. 44)	All	1
	AN3150								Battery—24-v 34-amp storage (LH) GFE	All	2
2	21-7440-3								Battery—24-v 34-amp storage (RH) GFE	All	2
	21-7440-3								Bolt (LH)	All	4
	14-1945-25								Bolt (RH)	All	1
	14-1945-26								Jar Assembly (LH)	All	1
3	3-12926								Jar Assembly (RH)	All	1
4	3-12964								Cap Assembly—Battery vent (LH)	Y	1
5	14-1945-40								Cap Assembly—Battery vent (RH)	Y	1
6	15465-5D								Disc	All	2
7	15465-6D								Jar (Ball Bros. Co.)	All	1
8	21-4213-6-4								Gasket (Ball Bros. Co.)	All	1
9	6-17011-1								Rod	All	2
10	6-17011								Cap Assembly—Battery vent (LH)	WG	1
11	3-26071								Cap Assembly—Battery vent (RH)	WG	1
12	14-1945-30								Holder—Battery jar	Y	1
	14-1945-60								Tube Assembly (RH)	WG	1
13	14-1945-28								Tube Assembly (RH)	Y	1
	14-1945-58								Tube Assembly (RH)	WG	1
14	14-1945-32								Tube Assembly (RH)	Y	1
	14-1945-62								Tube Assembly (RH)	WG	1
15	14-1945-6								Tube Assembly (RH)	All	1
16	14-1945-15								Tube Assembly (RH)	All	1
17	14-1945-34								Tube Assembly (LH)	All	1
18	14-1945-38								Tube Assembly (LH)	Y	1
	14-1945-50								Tube Assembly (LH)	WG	1
19	14-1945-36								Tube Assembly (LH)	Y	1
	14-1945-48								Tube Assembly (LH)	WG	1
20	11749								Kit—Battery (LH) (Cannon Electric Development Co.) GFE	JL	1
	11749								Kit—Battery (RH) (Cannon Electric Development Co.) GFE	JL	2
21	11751								Plug—Battery (LH) (Cannon Electric Development Co.) GFE	JL	1
	11751								Plug—Battery (RH) (Cannon Electric Development Co.) GFE	JL	2
	43-11344-400								Installation—Battery vent outlet (LH) (see fig. 11)	All	NP
	43-11344-2								Installation—Battery vent outlet (RH) (see fig. 11)	All	NP
22	43-11344-3								Outlet Assembly	All	1

Section I I
Group Assembly Parts List

AN 01-20EG-4

WING

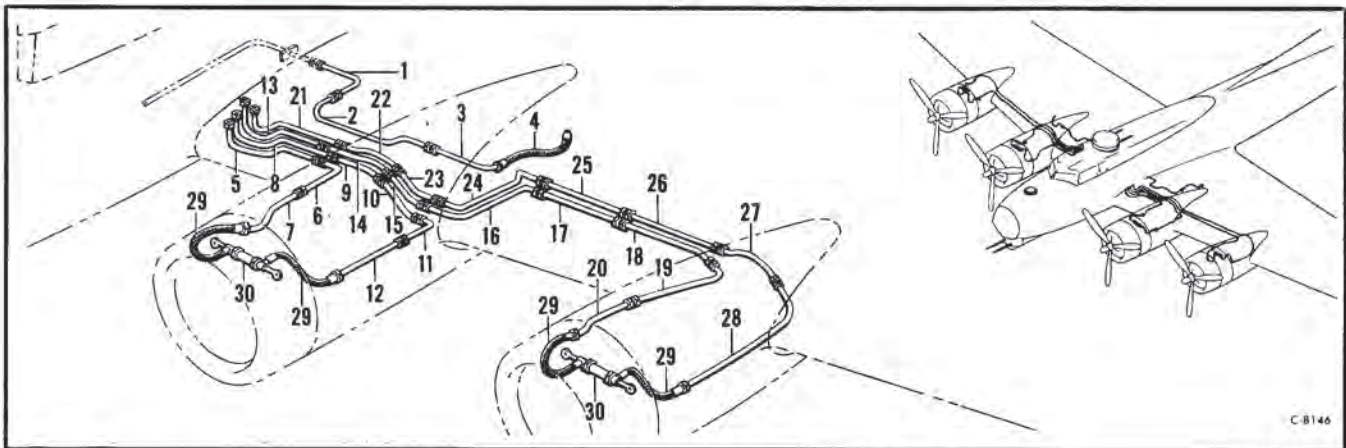


Figure 48—Wing and Nacelle Hydraulic System

Wing and Nacelle Hydraulic System

Figure & Index No.	Part Number	1	2	3	4	5	6	7	Nomenclature	Usage Code	Units Per Assy.
									Wing and Nacelle Hydraulic System		
									Installation—Hydraulic system		
48-1	15-9272								Tube Assembly (LH)	All	NP
	15-7988-5								Tube Assembly (RH)	All	1
	15-7988-46								Tube Assembly (RH)	QB	1
	15-9272-102								Tube Assembly (RH)	XM	1
2	15-7988-4								Tube Assembly (LH)	All	1
	15-7988-48								Tube Assembly (RH)	QB	1
	15-9272-103								Tube Assembly (RH)	XM	1
3	15-7988-2								Tube Assembly (LH)	QB	1
	15-9272-98								Tube Assembly (LH)	XM	1
	15-7988-51								Tube Assembly (RH)	QB	1
	15-9272-99								Tube Assembly (RH)	XM	1
4	43D2475-8D210								Hose Assembly	MD	2
	39G1030-8-21								Hose Assembly	GE	2
	39B1024-8								Nut—Check	All	2
	55-7689								Installation—Cowl flaps tubing	All	NP
5	15-7689-143								Tube Assembly (LH)	All	1
	15-7689-56								Tube Assembly (RH)	All	1
6	15-7689-145								Tube Assembly (LH)	All	1
	15-7689-132								Tube Assembly (RH)	All	1
7	15-7689-148								Tube Assembly (LH)	All	1
	15-7689-173								Tube Assembly (RH)	All	1
	39B1024-6								Nut	All	8
8	15-7689-114								Tube Assembly (LH)	All	1
	15-7689-8								Tube Assembly (RH)	All	1
9	15-7689-116								Tube Assembly (LH)	All	1
	15-7689-100								Tube Assembly (RH)	All	1
10	15-7689-118								Tube Assembly (LH)	All	1
11	15-7689-119								Tube Assembly (LH)	QB	1
	55-7689-460								Tube Assembly (LH)	XM	1
	15-7689-104								Tube Assembly (replaces 15-7689-118, 119 & 55-7689-460 on RH side)	All	1
12	15-7689-122								Tube Assembly (LH)	QB	1
	55-7689-461								Tube Assembly (LH)	XM	1
	15-7689-106								Tube Assembly (RH)	All	1
13	15-7689-77								Tube Assembly (LH)	All	1
	15-7689-130								Tube Assembly (RH)	All	1
14	15-7689-79								Tube Assembly (LH)	All	1
	15-7689-58								Tube Assembly (RH)	All	1
15	15-7689-81								Tube Assembly (LH)	All	1
	15-7689-80								Tube Assembly (RH)	All	1
16	15-7689-82								Tube Assembly (LH)	All	1
	15-7689-62								Tube Assembly (RH)	All	1
17	15-7689-84								Tube Assembly (LH)	All	1
	15-7689-63								Tube Assembly (RH)	All	1
18	15-7689-85								Tube Assembly (LH)	All	1
	15-7689-65								Tube Assembly (RH)	All	1
19	15-7689-89								Tube Assembly (LH)	All	1
	15-7689-68								Tube Assembly (RH)	All	1
20	15-7689-90								Tube Assembly (LH)	All	1
	15-7689-69								Tube Assembly (RH)	All	1
21	15-7689-32								Tube Assembly (LH)	All	1
	15-7689-98								Tube Assembly (RH)	All	1
22	15-7689-34								Tube Assembly (LH)	All	1
	15-7689-10								Tube Assembly (RH)	All	1
23	15-7689-36								Tube Assembly (LH)	All	1
	15-7689-12								Tube Assembly (RH)	All	1
24	15-7689-37								Tube Assembly (LH)	All	1
	15-7689-14								Tube Assembly (RH)	All	1
25	15-7689-39								Tube Assembly (LH)	All	1
	15-7689-15								Tube Assembly (RH)	All	1
26	15-7689-40								Tube Assembly (LH)	All	1
	15-7689-17								Tube Assembly (RH)	All	1
27	15-7689-44								Tube Assembly (LH)	All	1
	15-7689-20								Tube Assembly (RH)	All	1
28	15-7689-48								Tube Assembly (LH)	All	1
	15-7689-24								Tube Assembly (RH)	All	1
29	43D2475-6-330								Hose Assembly	All	8
30	6-9447								Cylinder Assembly—Cowl flap (see fig. 192)	All	Ref

WING

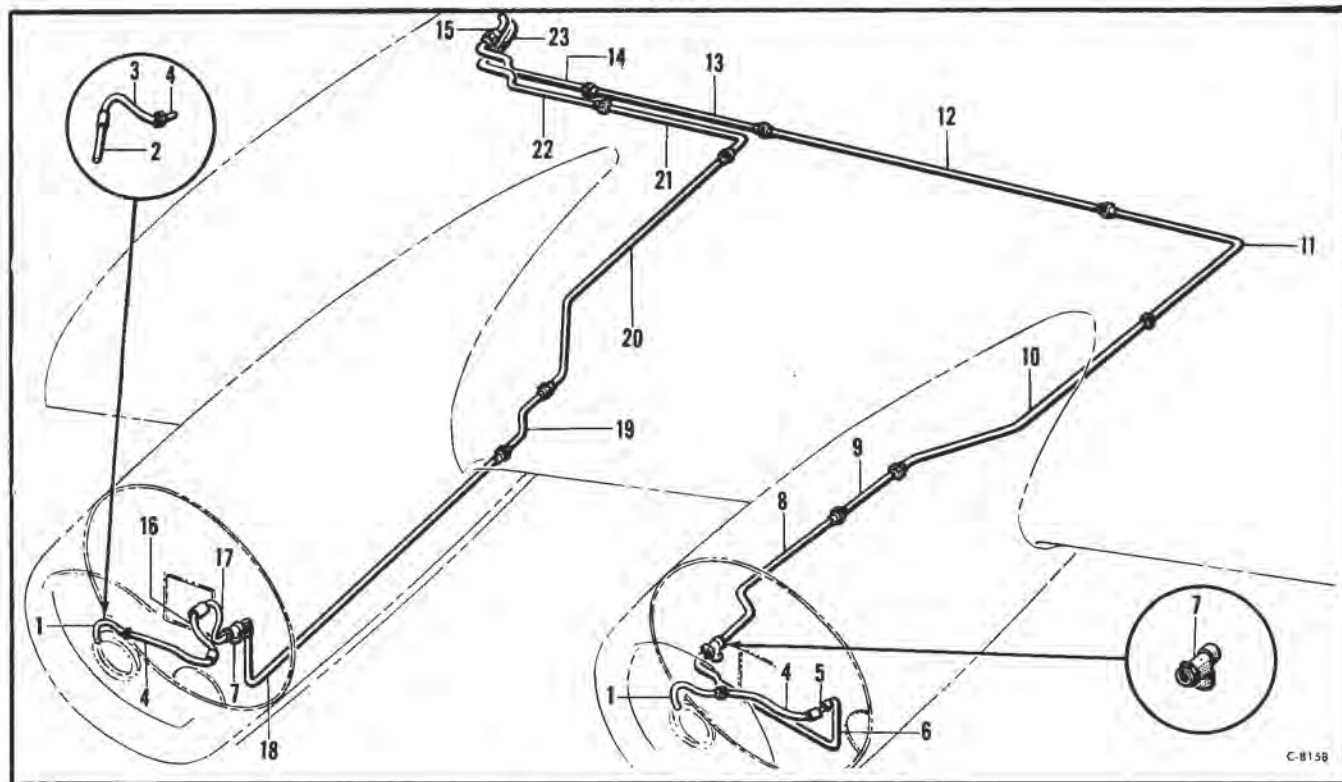
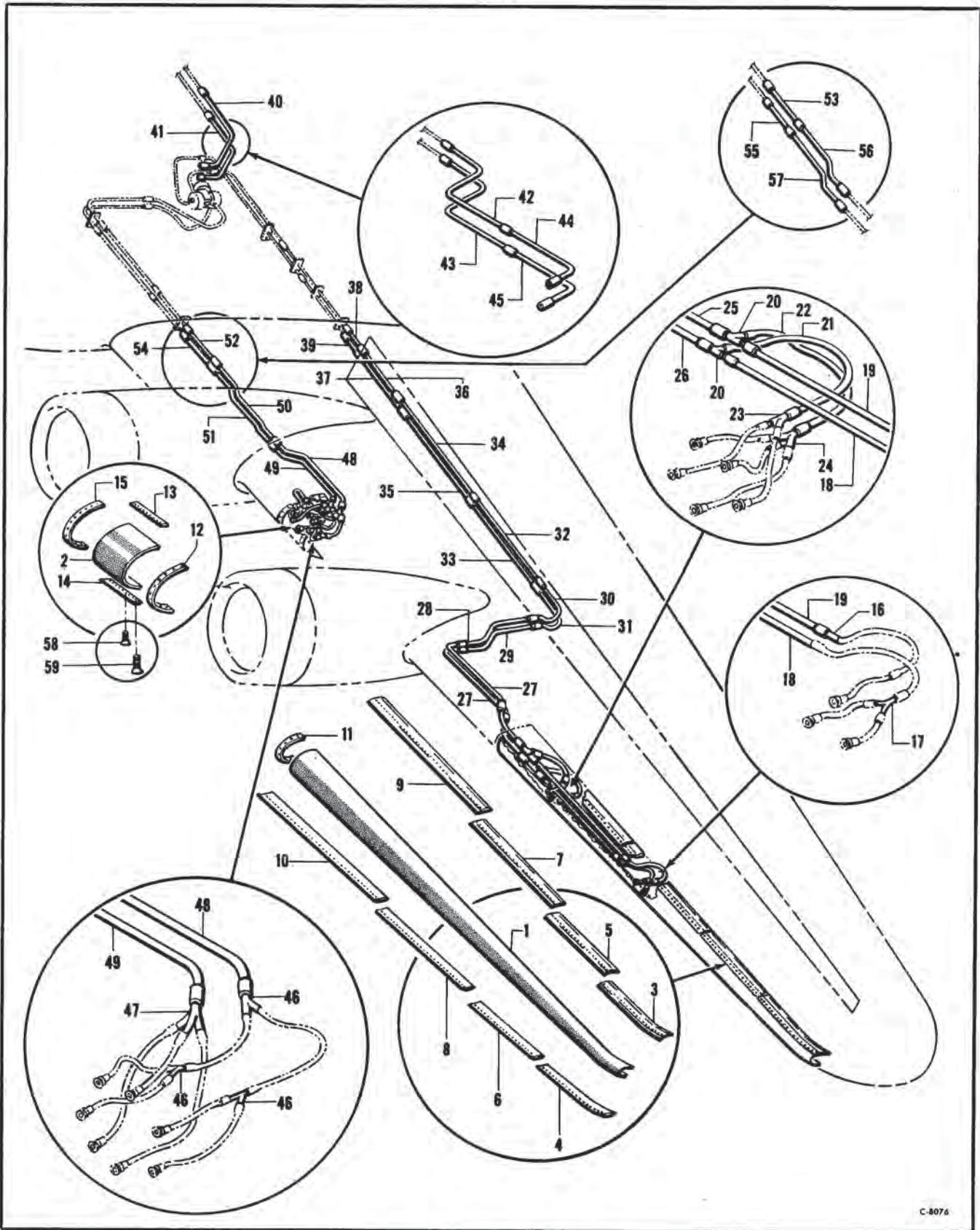


Figure 49—Propeller Anti-icer

Propeller Anti-icer

Figure & Index No.	Part Number	1	2	3	4	5	6	7	Nomenclature	Usage Code	Units Per Assy.
	85-5660								Installation—Propeller anti-icer		NP
49-1	85-5660-540								Tube Assembly (anti-icer)	All	4
2	85-5660-564								Tube Assembly (anti-icer)	KQ	4
3	85-5660-565								Tube Assembly (anti-icer)	KQ	4
4	85-5660-541								Tube Assembly (anti-icer)	All	4
5	85-5660-525								Tube Assembly (to engine no. 1)	All	1
	85-5660-528								Tube Assembly (to engine no. 4)	All	1
6	85-5660-532								Tube Assembly (to engine no. 1)	All	1
	85-5660-535								Tube Assembly (to engine no. 4)	All	1
7	8001DD1-4D								Valve Assembly—Relief (Parker)	All	4
8	85-5660-5								Tube Assembly (to engine no. 1)	QB	1
	85-5660-551								Tube Assembly (to engine no. 1)	XM	1
	85-5660-34								Tube Assembly (to engine no. 4)	QB	1
	85-5660-553								Tube Assembly (to engine no. 4)	XM	1
9	85-5660-530								Tube Assembly (to engine no. 1)	QB	1
	85-5660-550								Tube Assembly (to engine no. 1)	XM	1
	85-5660-54								Tube Assembly (to engine no. 4)	QB	1
	85-5660-552								Tube Assembly (to engine no. 4)	XM	1
10	85-5660-6								Tube Assembly (to engine no. 1 and 4)	All	2
11	85-5660-505								Tube Assembly (to engine no. 1 and 4)	All	2
12	85-5660-506								Tube Assembly (to engine no. 1 and 4)	All	2
13	85-5660-507								Tube Assembly (to engine no. 1 and 4)	QB	2
	85-5660-546								Tube Assembly (to engine no. 1 and 4)	XM	2
14	85-5660-508								Tube Assembly (to engine no. 1 and 4)	QB	2
	85-5660-547								Tube Assembly (to engine no. 1 and 4)	XM	2
15	85-5660-49								Tube Assembly (to engine no. 1 and 4) (see fig. 138)	All	2
16	85-5660-523								Tube Assembly (to engine no. 2)	All	1
	85-5660-539								Tube Assembly (to engine no. 2)	All	1
17	85-5660-526								Tube Assembly (to engine no. 2)	All	1
	85-5660-534								Tube Assembly (to engine no. 3)	All	1
18	85-5660-519								Tube Assembly (to engine no. 2)	QB	1
	85-5660-542								Tube Assembly (to engine no. 2)	XM	1
	85-5660-520								Tube Assembly (to engine no. 3)	QB	1
	85-5660-544								Tube Assembly (to engine no. 3)	XM	1
19	85-5660-518								Tube Assembly (to engine no. 2)	QB	1
	85-5660-543								Tube Assembly (to engine no. 2)	XM	1
	85-5660-545								Tube Assembly (to engine no. 3)	QB	1
	85-5660-517								Tube Assembly (to engine no. 3)	XM	1
20	85-5660-17								Tube Assembly (to engine no. 2)	All	1
	85-5660-537								Tube Assembly (to engine no. 3)	All	1
21	85-5660-509								Tube Assembly (to engine no. 2 and 3)	QB	2
	85-5660-548								Tube Assembly (to engine no. 2 and 3)	XM	2
22	85-5660-510								Tube Assembly (to engine no. 2 and 3)	QB	2
	85-5660-549								Tube Assembly (to engine no. 2 and 3)	XM	2
23	85-5660-51								Tube Assembly (to engine no. 2 and 3) (see fig. 138)	All	2

WING



C-8076

Figure 50—Wing De-icer System

AN 01-20EG-4

WING

Wing De-icer System

Figure & Index No.	Part Number	1 2 3 4 5 6 7	Nomenclature	Usage Code	Units Per Assy.
	15-7600		De-icer System		
			Installation—Wing and tail de-icer	All	NP
50-1	FC163-4-1		Boot—LH wing outboard (Goodrich) (2-163-4-1 optional)	All	1
	FC163-4-2		Boot—RH wing outboard (Goodrich) (2-163-4-2 optional)	All	1
2	FC163-10-1		Boot—LH wing inboard (Goodrich) (2-163-10-1 optional)	All	1
	FC163-10-2		Boot—RH wing inboard (Goodrich) (2-163-10-2 optional)	All	1
3	15-7600-159		Fairing—Tip (upper LH and lower RH)	All	2
4	15-7600-160		Fairing—Tip (lower LH and upper RH)	All	2
5	15-7600-161		Fairing—Outboard (upper LH and lower RH)	All	2
6	15-7600-162		Fairing—Outboard (lower LH and upper RH)	All	2
7	15-7600-9		Fairing—Center (upper LH and lower RH)	All	2
8	15-7600-10		Fairing—Center (lower LH and upper RH)	All	2
9	15-7600-11		Fairing—Inboard (upper LH and lower RH)	All	2
10	15-7600-12		Fairing—Inboard (lower LH and upper RH)	All	2
11	15-7600-27		Strap	All	2
12	15-7600-111		Strap—LH outboard	All	1
	15-7600-112		Strap—RH outboard	All	1
13	15-7600-105		Fairing—Upper LH	All	1
	15-7600-106		Fairing—Upper RH	All	1
14	15-7600-107		Fairing—Lower LH	All	1
	15-7600-108		Fairing—Lower RH	All	1
15	15-7600-109		Strap—LH inboard	All	1
	15-7600-110		Strap—RH inboard	All	1
	15-7600-34		Manifold Assembly	All	2
16	41-688-3		Manifold—De-icer	All	1
	15-7600-35		Manifold Assembly	All	2
17	46-6318-402		Manifold Assembly—De-icer	All	1
18	15-7600-150		Tube	All	2
19	15-7600-149		Tube	All	2
20	1-18828		Tee Assembly—45 degree branch	All	4
21	15-7600-151		Tube	All	2
22	15-7600-152		Tube	All	2
	15-7600-39		Manifold Assembly	All	2
23	46-6318-402		Manifold Assembly—De-icer	All	1
	15-7600-30		Manifold Assembly	All	2
24	46-6318		Manifold Assembly—De-icer	All	1
25	15-7600-204		Tube	All	2
26	15-7600-212		Tube	All	2
27	15-7600-203		Tube	All	4
28	15-7600-198		Tube (LH only)	All	1
	15-7600-202		Tube (RH only)	All	1
29	15-7600-206		Tube (LH only)	All	1
	15-7600-210		Tube (RH only)	All	1
30	15-7600-197		Tube (LH only)	All	1
	15-7600-201		Tube (RH only)	All	1
31	15-7600-205		Tube (LH only)	All	1
	15-7600-209		Tube (RH only)	All	1
32	15-7600-69		Tube (LH only)	All	1
	15-7600-79		Tube (RH only)	All	1
33	15-7600-56		Tube (LH only)	All	1
	15-7600-86		Tube (RH only)	All	1
34	15-7600-70		Tube (LH only)	All	1
	15-7600-80		Tube (RH only)	QB	1
	15-7600-249		Tube (RH only)	XM	1
35	15-7600-57		Tube (LH only)	QB	1
	15-7600-247		Tube (LH only)	XM	1
	15-7600-87		Tube (RH only)	QB	1
	15-7600-251		Tube (RH only)	XM	1
36	15-7600-71		Tube (LH only)	QB	1
	15-7600-230		Tube (LH only)	XM	1
37	15-7600-58		Tube (LH only)	QB	1
	15-7600-245		Tube (LH only)	XM	1
38	15-7600-72		Tube (LH only)	QB	1
	15-7600-227		Tube (LH only)	XM	1
39	15-7600-59		Tube (LH only)	QB	1
	15-7600-228		Tube (LH only)	XM	1
40	15-7600-81		Tube (RH only)	QB	1
41	15-7600-88		Tube (RH only)	QB	1
42	15-7600-252		Tube (RH only)	XM	1
43	15-7600-254		Tube (RH only)	XM	1
44	15-7600-225		Tube (RH only)	XM	1
45	15-7600-226		Tube (RH only)	XM	1
	15-7600-117		Manifold Assembly	All	2
46	3-10519-3		Manifold Assembly—De-icer	All	3
	15-7600-113		Manifold Assembly	All	2
47	3-10475-3		Manifold Assembly—De-icer	All	1
48	15-7600-137		Tube (LH only)	QB	1
	15-7600-240		Tube (LH only)	XM	1
	15-7600-142		Tube (RH only)	All	1
49	15-7600-130		Tube (LH only)	QB	1
	15-7600-237		Tube (LH only)	XM	1
	15-7600-29		Tube (RH only)	All	1
50	15-7600-136		Tube (LH only)	QB	1
	15-7600-236		Tube (LH only)	XM	1
	15-7600-141		Tube (RH only)	QB	1
	15-7600-242		Tube (RH only)	XM	1
51	15-7600-129		Tube (LH only)	QB	1
	15-7600-234		Tube (LH only)	XM	1
	15-7600-146		Tube (RH only)	QB	1
	15-7600-239		Tube (RH only)	XM	1
52	15-7600-135		Tube (LH only)	QB	1
53	15-7600-235		Tube (LH only)	XM	1
	15-7600-140		Tube (RH only)	QB	1
	15-7600-241		Tube (RH only)	XM	1
54	15-7600-128		Tube (LH only)	QB	1
55	15-7600-233		Tube (LH only)	XM	1
	15-7600-145		Tube (RH only)	QB	1
	15-7600-238		Tube (RH only)	XM	1
56	15-7600-261		Tube (LH only)	XM	1
57	15-7600-260		Tube (LH only)	XM	1
58	51-1092		Screw—Recessed head (1-2 in. long)	All	1236
59	51-1092-1		Screw—Recessed head (5-8 in. long)	All	18

Section I I
Group Assembly Parts List

AN 01-20EG-4

WING

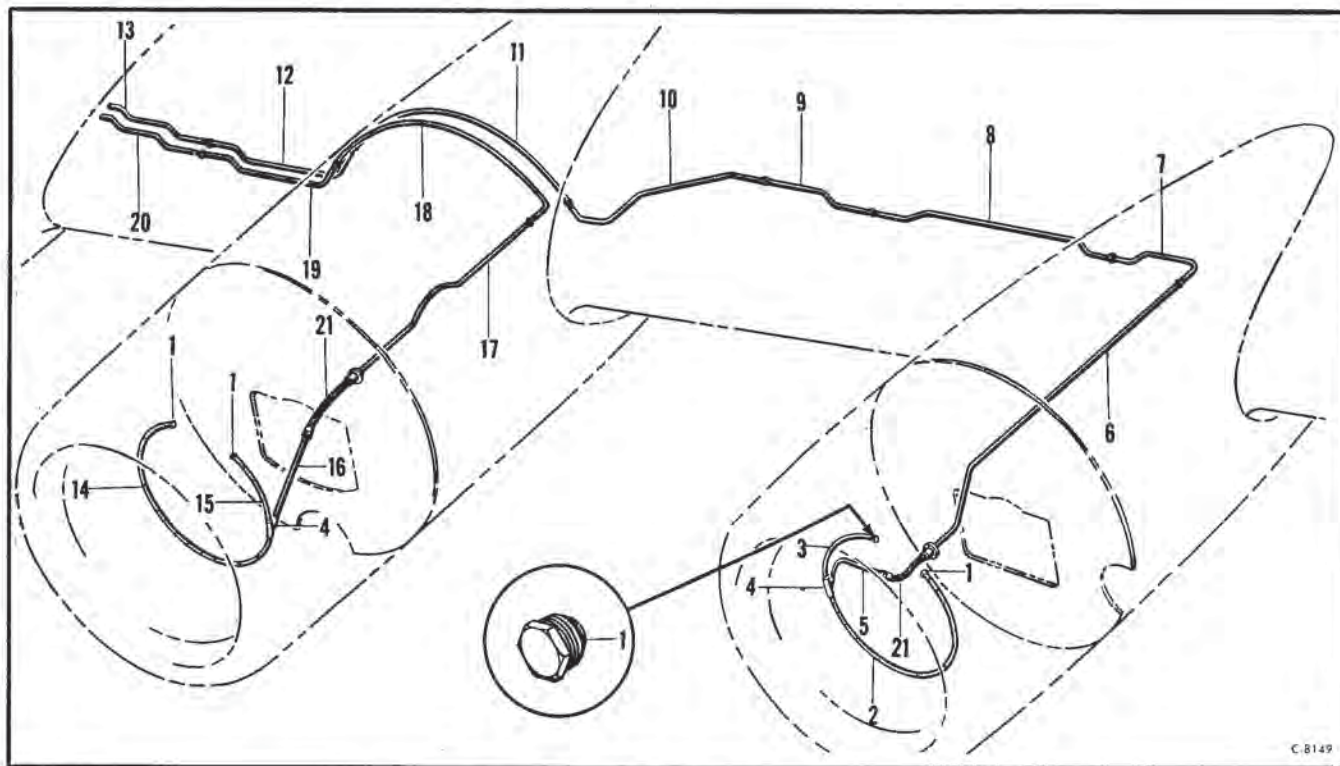


Figure 51—Engine Fire Extinguisher

Engine Fire Extinguisher

Figure & Index No.	Part Number	1	2	3	4	5	6	7	Nomenclature	Usage Code	Units Per Assy.
	65-5679								Engine Fire Extinguisher		
	37A5430								Installation—Engine fire extinguisher	All	NP
51-1									Plug—Carbon dioxide discharge tubing GFE	All	8
2	65-5679-422								Tube Assembly (engine no. 1)	KI	2
	65-5679-607								Tube Assembly (engine no. 1)	XM	2
3	65-5679-421								Tube Assembly (engine no. 3)	KI	2
	65-5679-606								Tube Assembly (engine no. 3)	XM	2
4	811JTS8								Tee	KI	4
	811JTS8S								Tee	XM	4
5	65-5679-526								Tube Assembly (engine no. 1)	KI	1
	65-5679-602								Tube Assembly (engine no. 1)	XM	1
	65-5679-425								Tube Assembly (engine no. 3)	KI	1
	65-5679-604								Tube Assembly (engine no. 3)	XM	1
6	65-5679-411								Tube Assembly (to engine no. 1)	LI	1
	65-5679-543								Tube Assembly (to engine no. 4)	LI	1
7	65-5679-512								Tube Assembly (to engine no. 1)	LI	1
	65-5679-516								Tube Assembly (to engine no. 4)	LI	1
8	65-5679-513								Tube Assembly (to engine no. 1)	LI	1
	65-5679-517								Tube Assembly (to engine no. 4)	LI	1
9	65-5679-555								Tube Assembly (to engine no. 1)	LI	1
	65-5679-572								Tube Assembly (to engine no. 4)	LI	1
10	65-5679-566								Tube Assembly (to engine no. 1)	LI	1
	65-5679-591								Tube Assembly (to engine no. 4)	LI	1
	65-5679-579								Tube Assembly (to engine no. 1)	LI	1
12	65-5679-585								Tube Assembly (to engine no. 4)	LI	1
	65-5679-581								Tube Assembly (to engine no. 1)	LI	1
13	65-5679-588								Tube Assembly (to engine no. 4)	LI	1
	65-5679-558								Tube Assembly (to engine no. 1) (see fig. 135)	LI	1
	65-5679-570								Tube Assembly (to engine no. 4) (see fig. 135)	LI	1
14	65-5679-550								Tube Assembly (to engine no. 2)	KI	1
	65-5679-609								Tube Assembly (to engine no. 2)	XM	1
	65-5679-553								Tube Assembly (to engine no. 4)	KI	1
	65-5679-611								Tube Assembly (to engine no. 4)	XM	1
15	65-5679-549								Tube Assembly (to engine no. 2)	KI	1
	65-5679-608								Tube Assembly (to engine no. 2)	XM	1
	65-5679-552								Tube Assembly (to engine no. 4)	KI	1
	65-5679-610								Tube Assembly (to engine no. 4)	XM	1
16	65-5679-548								Tube Assembly (to engine no. 3)	KI	1
	65-5679-603								Tube Assembly (to engine no. 3)	XM	1
	65-5679-551								Tube Assembly (to engine no. 4)	KI	1
	65-5679-605								Tube Assembly (to engine no. 4)	XM	1
17	65-5679-439								Tube Assembly (to engine no. 2)	LI	1
	65-5679-448								Tube Assembly (to engine no. 3)	LI	1
18	65-5679-578								Tube Assembly (to engine no. 2)	LI	1
	65-5679-584								Tube Assembly (to engine no. 3)	LI	1
19	65-5679-580								Tube Assembly (to engine no. 2)	LI	1
	65-5679-582								Tube Assembly (to engine no. 3)	LI	1
20	65-5679-559								Tube Assembly (to engine no. 2) (see fig. 135)	LI	1
	65-5679-569								Tube Assembly (to engine no. 3) (see fig. 135)	LI	1
21	37B6535								Tube Assembly—Firewall connector (see Figs. 13 & 15)	LI	Ref

WING

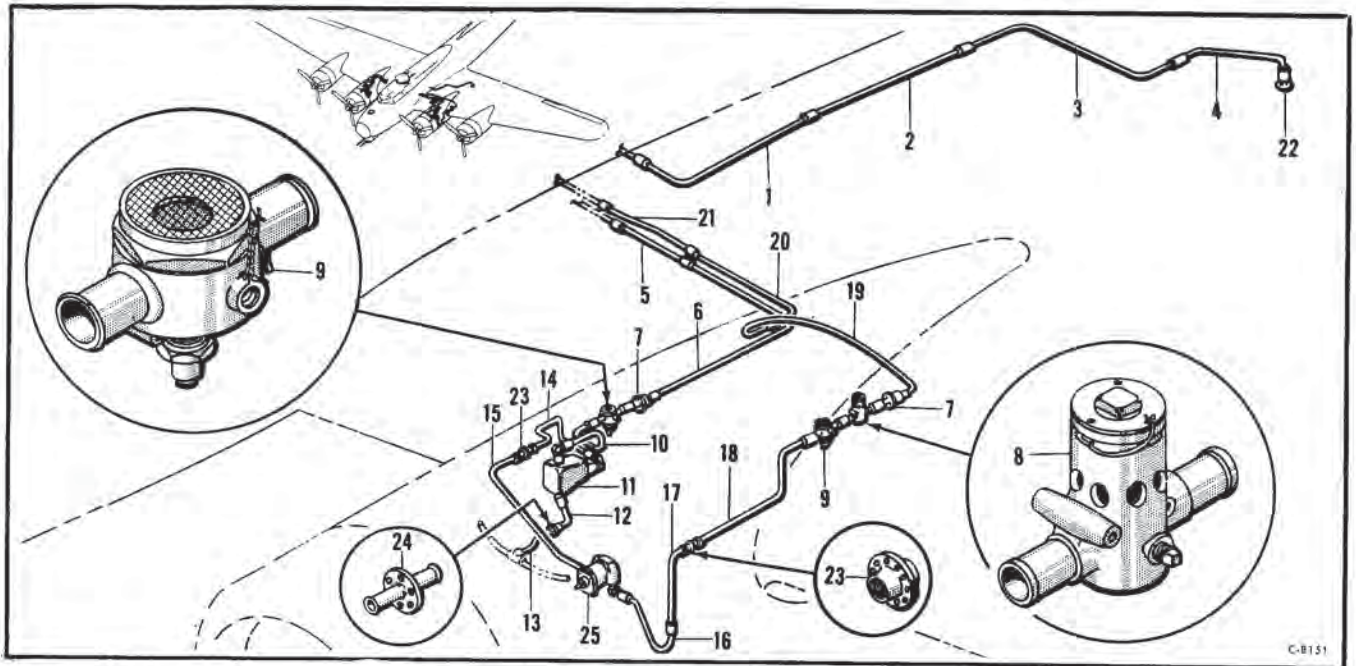


Figure 52—Vacuum System

Vacuum System

Figure & Index No.	Part Number	1	2	3	4	5	6	7	Nomenclature	Usage Code	Units Per Assy.
									Vacuum System		
									Installation—Vacuum system tubing		
52-1	65-5594								Tube Assembly (LH)	All	NP
	65-5594-587								Tube Assembly (LH)	QB	1
	65-5594-610								Tube Assembly (LH) (Replaces 65-5594-587)	XM	1
	65-5594-611								Tube Assembly (LH) (Replaces 65-5594-587)	XM	1
2	65-5594-588								Tube Assembly (LH)	QB	1
	65-5594-612								Tube Assembly (LH)	XM	1
3	65-5594-512								Tube Assembly (LH)	QB	1
	65-5594-613								Tube Assembly (LH)	XM	1
4	65-5594-548								Tube Assembly (LH)	All	1
	65-5594-533								Tube Assembly (RH)	QB	1
5	65-5594-541								Tube Assembly (RH)	XM	1
	65-5594-615								Tube Assembly (LH)	All	1
6	65-5594-534								Tube Assembly (RH) (replaces 65-5594-534 on RH side)	All	1
	65-5594-528								Tube Assembly (RH) (replaces 65-5594-534 on RH side)	All	1
	65-5594-529								Valve—Check (Eclipse) (See T.O. 03-35B3)	All	1
7	557-5								Valve Assembly—Safety (Pesco) (see Fig. 137)	All	4
8	217HA								Valve—Relief (Spec 95-28368) (Type B-8) (GFE)	All	2
9	NO NUMBER								Tube Assembly (LH)	E	1
10	65-5594-589								Tube Assembly (LH)	ZE	1
	65-5594-605								Tube Assembly (RH)	E	1
	65-5594-594								Installation—Vacuum system separator (LH)	All	1
	6-13686								Installation—Vacuum system separator (RH)	All	NP
	6-13686-1								Separator Assembly	All	NP
	6-13686-2								Separator—Oil (Spec 95-28368) (Type B-8) (GFE)	All	1
11	NO NUMBER								Tube Assembly (LH)	All	1
12	65-5594-591								Tube Assembly (RH)	All	1
	65-5594-593								Tube Assembly (RH)	VA	1
	65-5594-618								Tube Assembly (LH)	All	1
13	65-5594-573								Tube Assembly (RH)	All	1
	65-5594-568								Tube Assembly (LH)	All	1
14	65-5594-590								Tube Assembly (RH)	All	1
	65-5594-631								Tube Assembly (LH)	GC	1
	65-5594-592								Tube Assembly (RH)	RO	1
15	65-5594-564								Tube Assembly (LH)	All	1
	65-5594-567								Tube Assembly (RH)	All	1
	65-5594-616								Tube Assembly (RH)	JA	1
16	65-5594-563								Tube Assembly (LH)	All	1
	65-5594-569								Tube Assembly (RH)	All	1
	65-5594-617								Tube Assembly (RH)	JA	1
17	65-5594-561								Tube Assembly (LH)	All	1
	65-5594-562								Tube Assembly (LH)	All	1
	65-5594-570								Tube Assembly (RH) (replaces 65-5594-561 and -562 on RH side)	All	1
19	65-5594-514								Tube Assembly (RH)	All	1
	65-5594-526								Tube Assembly (RH) (replaces 65-5594-514 on RH side)	All	1
	65-5594-525								Tube Assembly (RH) (replaces 65-5594-514 on RH side)	All	1
20	65-5594-536								Tube Assembly (LH)	All	1
	65-5594-524								Tube Assembly (RH)	All	1
21	65-5594-513								Tube Assembly (LH)	All	1
	65-5594-540								Tube Assembly (RH)	All	1
	65-5594-614								Tube Assembly (RH)	QB	1
22	1-18757								Fitting—Tube end	XM	1
23	41-4146-1								Flange	All	1
24	1-21074								Coupling Assembly—Hose flange	All	4
25	NO NUMBER								Pump—Vacuum (Spec 95-28368) (Type B-8) (GFE) (see Fig. 177)	All	2

WING

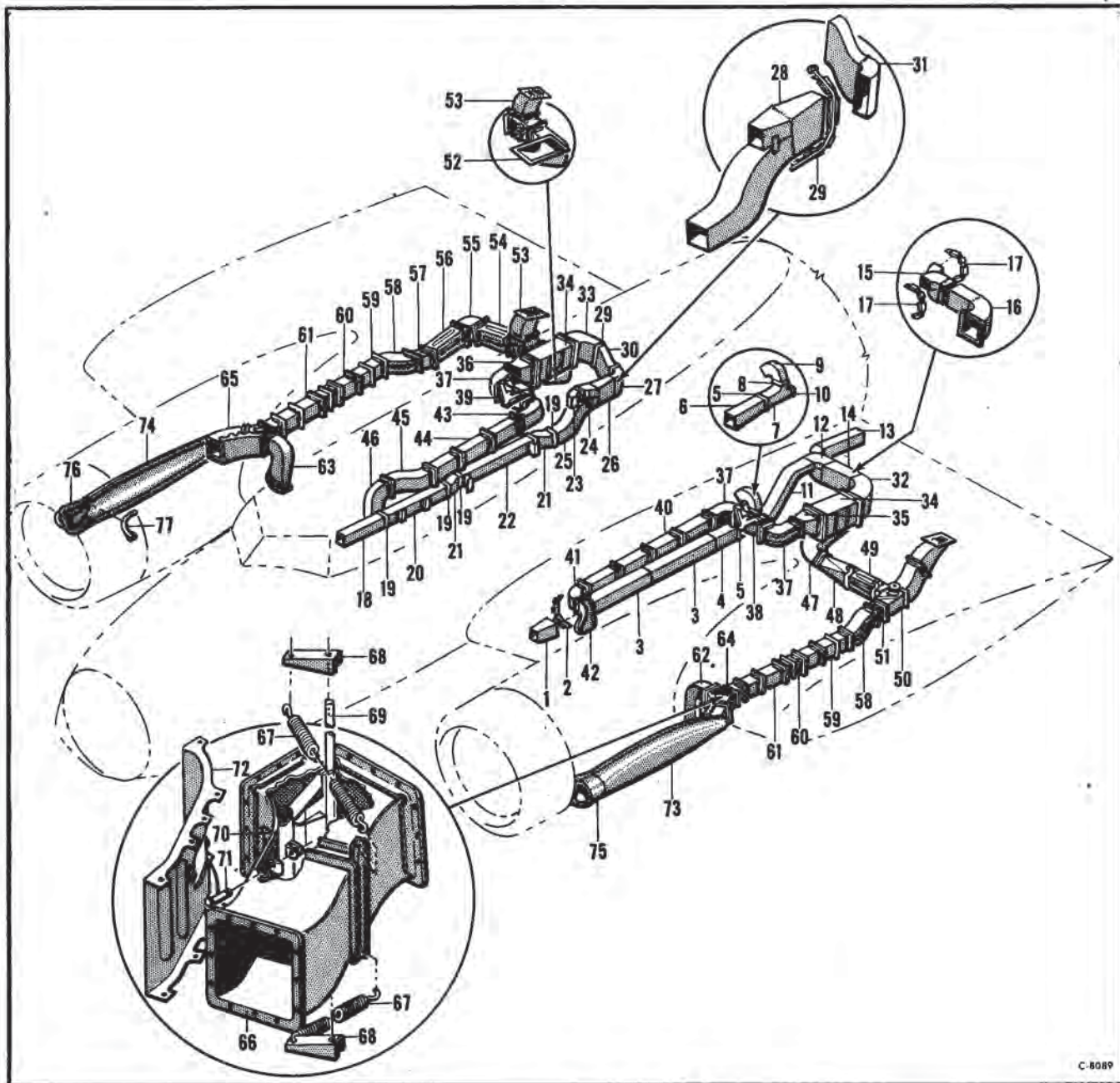


Figure 53—Heating and De-icing System

Heating and De-icing System

Figure & Index No.	Part Number	1	2	3	4	5	6	7	Nomenclature	Usage Code	Units Per Assy.
									Heating and De-icing System		
	15-12723								Installation—Heating and de-icing system	XM	NP
	15-12711								Installation—LH duct station 4-6	XM	NP
53-1	6-14335								Transition Assembly—Heat and vent	XM	1
2	15-17138-16								Clamp Assembly—Duct joint	XP	3
3	6-14310								Duct Assembly—Heat and vent	XM	2
4	6-14315-7								Transition Assembly—Heat and vent	XM	1
5	15-17138-15								Clamp Assembly—Duct joint	XP	2
6	6-13215-5								Transition Assembly—Heat and vent	XM	1
7	6-14272								Tee Assembly—Heat and vent	XM	1
8	15-17138-8								Clamp Assembly—Duct joint	XP	1
9	6-14263								Elbow Assembly—Heat and vent	XM	1
10	15-17138-4								Clamp Assembly—Duct joint	XP	1
11	6-14273								Duct Assembly—Heat and vent	XM	1
12	9-7051								Elbow Assembly—Heat and vent	QM	1
13	6-14307-4								Duct Assembly—Heat and vent	XM	1
	15-12710								Installation—Heat and vent duct	XM	NP

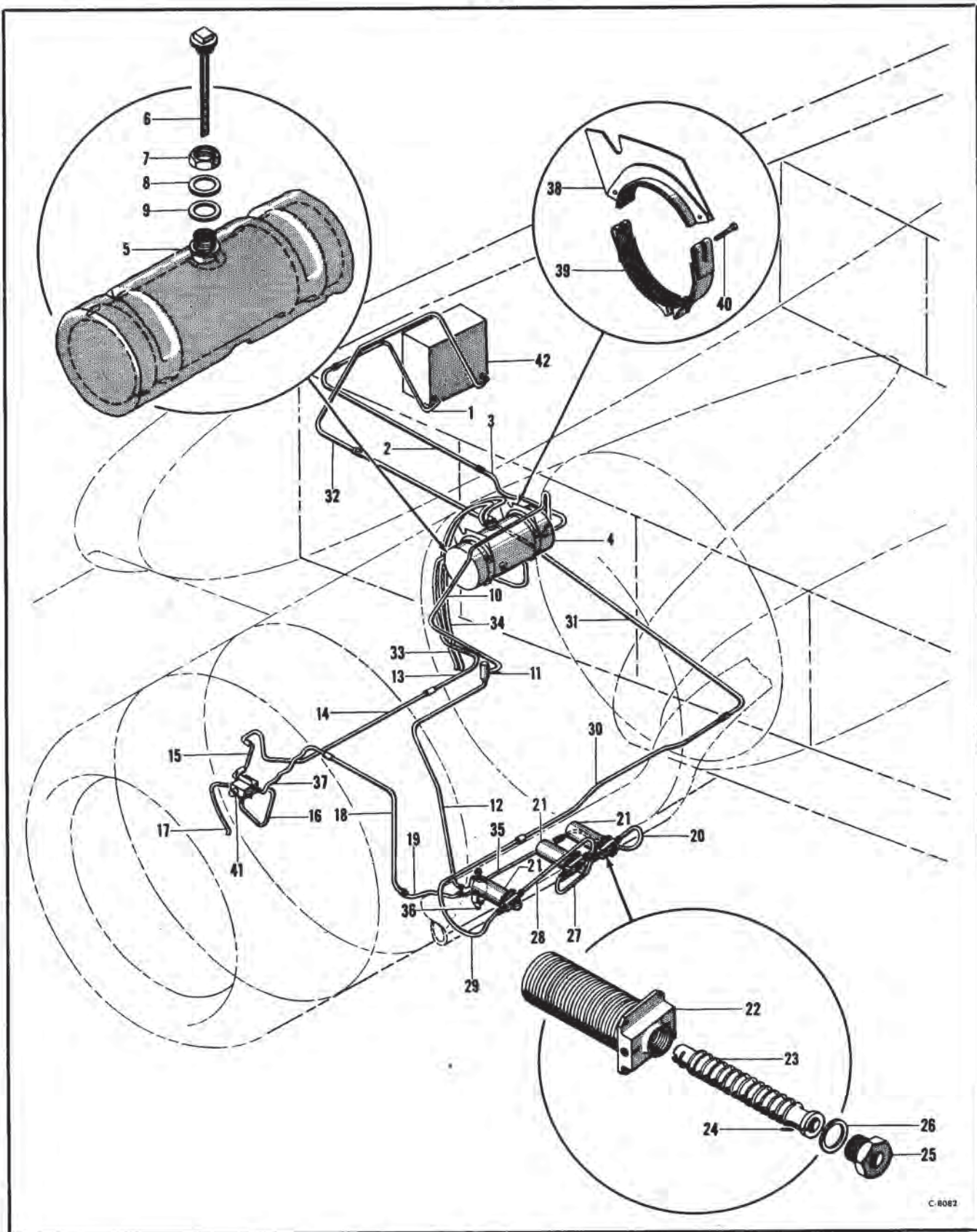
AN 01-20EG-4

WING

Heating and De-icing System

Figure & Index No.	Part Number	1 2 3 4 5 6 7	Nomenclature	Usage Code	Units Per Assy.
53-14	15-12710-1		Duct Assembly	QM	1
15	15-12710-10		Duct Assembly—Weld	HO	1
16	15-12710-8		Duct Assembly—Weld	HO	1
17	15-13138-15		Clamp Assembly—Duct joint	HO	2
	15-12763		Installation—RH duct station 4-5C	XM	NP
18	8-14324-5		Duct Assembly—Cabin air	XM	1
19	15-17138-15		Clamp Assembly—Duct joint	XP	5
20	8-14324-7		Duct Assembly—Cabin air	XM	1
21	3-22455		Elbow Assembly—RH cabin air	XM	2
22	6-14467		Duct Assembly—RH cabin air	XM	1
23	3-23171		Elbow Assembly—RH cabin air	XM	1
24	15-17138-11		Clamp Assembly—Duct joint	XD	1
25	6-14391		"V" Assembly—Cabin air	QM	1
26	6-14326		Transition Assembly—RH cabin air	QM	1
27	3-23172		Elbow Assembly—RH cabin air	QM	1
28	15-12763-3		Duct Assembly—Weld	HO	1
29	15-17138-13		Clamp Assembly—Duct joint	XP	2
	9-7221		Installation—RH cabin air duct	XM	NP
30	9-7221-1		Duct Assembly—RH cabin air	QM	1
31	9-7221-10		Duct Assembly—RH cabin air	XM	1
	15-12765		Installation—Secondary heat exchanger LH	XM	NP
	15-12765-1		Installation—Secondary heat exchanger RH	XM	NP
32	9-7050		Elbow Assembly—Heat exchanger (LH)	QM	1
33	6-14341		Elbow Assembly—Exchanger RH	QM	1
	6-14341-10		Elbow Assembly—Exchanger RH	HO	1
	15-12765-2		Exchanger Assembly—Heat (LH)	XM	1
	15-12765-3		Exchanger Assembly—Heat (RH)	XM	1
34	7658E		Exchanger—Heat (McQuay)	XM	1
	15-12756		Installation—Cabin air duct LH	XM	NP
	15-12756-1		Installation—Cabin air duct RH	XM	NP
35	8-2790		Duct Assembly—Cold air (LH)	XM	1
36	8-2790-1		Duct Assembly—Cold air (RH)	XM	1
37	8-2791		Elbow Assembly—Cold air	XM	2
	8-2808		Installation—Cold air valve (LH)	XM	NP
	8-2808-1		Installation—Cold air valve (RH)	XM	NP
38	8-2808-2		Duct Assembly—Cold air (LH) (see fig. 57)	XM	1
39	8-2808-3		Duct Assembly—Cold air (RH) (see fig. 57)	XM	1
40	9-7079		Duct Assembly—Cold air (LH)	XM	1
41	6-8657-10		Elbow Assembly—Cold air (LH)	XM	1
42	9-3267-13		Elbow Assembly—Cold air (LH)	XM	1
	15-13018		Installation—Cold air duct RH	XM	NP
43	2-1970		Elbow Assembly—Cold air	XM	1
44	9-7294		Duct Assembly—Cold air	XM	1
45	2-1971		Duct Assembly—Cold air	XM	1
46	2-1969		Elbow Assembly—Cold air	XM	1
	15-12987		Installation—LH primary air duct	XM	NP
47	8-2807-16		Duct Assembly—Transition LH	XM	1
48	2-1960-6		Duct Assembly—Hot air	XM	1
49	9-7268-5		Duct Assembly—Primary air	XM	1
50	12-1148		Installation—Overboard dump valve (see fig. 57)	XM	NP
51	6-15549		Duct Assembly—Primary air	XM	1
	15-12790		Installation—Primary air duct RH	XM	NP
52	8-2792-12		Duct Assembly—Transition RH	XM	1
53	12-1149		Installation—Overboard dump valve (see fig. 57)	XM	NP
54	9-7249-4		Duct Assembly—Primary air	XM	1
55	2-1868		Elbow Assembly—Primary air	XM	1
56	9-7252-4		Duct Assembly—Primary air	XM	1
57	6-14499		Duct Assembly—Primary air	XM	1
	15-12754		Installation—Primary air duct LH	XM	NP
	15-12754-1		Installation—Primary air duct RH	XM	NP
58	8-2788-6		Duct Assembly—Primary air	XM	1
59	6-14406		Duct Assembly—Primary air	XM	1
60	7-2092-7		Duct Assembly—Primary air	XM	1
61	9-7080-7		Duct Assembly—Primary air	XM	1
	15-12995		Installation—Primary air duct LH	XM	NP
	15-12995-1		Installation—Primary air duct RH	XM	NP
62	8-2827		Duct Assembly—Overboard dump (LH)	XM	1
63	8-2827-1		Duct Assembly—Overboard dump (RH)	XM	1
64	15-16026		Valve Assembly—Primary heat (LH)	NM	1
	15-16026-2		Valve Assembly—Primary heat (LH)	LN	1
65	15-16026-1		Valve Assembly—Primary heat (RH)	NM	1
	15-16026-3		Valve Assembly—Primary heat (LH)	LN	1
	15-13031-32		Valve Assembly—Primary heat (LH)	NM	1
	15-13031-36		Valve Assembly—Primary heat (LH)	LN	1
	15-13031-31		Valve Assembly—Primary heat (RH)	NM	1
	15-13031-37		Valve Assembly—Primary heat (RH)	LN	1
66	15-13031-22		Duct Assembly (LH)	LN	1
	15-13031-40		Duct Assembly (LH)	NM	1
	15-13031-23		Duct Assembly (RH)	LN	1
	15-13031-41		Duct Assembly (RH)	NM	1
67	1-29329-1		Spring—Dump valve	XM	2
68	3-23881		Lever—Door release	XM	2
69	15-13031-17		Shaft	XM	1
70	6-14444-9		Door Assembly—Dump valve	XM	1
71	1-29348		Pin—Fusible	XM	1
72	2-2092		Shield Assembly—Primary air duct	XM	1
	15-12952		Installation—Primary air scoop LH	XM	NP
	15-12952-1		Installation—Primary air scoop RH	XM	NP
73	14-3674-15		Shroud Assembly—Primary air (LH)	XM	1
74	14-3674-16		Shroud Assembly—Primary air (RH)	XM	1
75	15-12978-17		Scoop Assembly—Primary air (LH)	XM	1
76	15-12978-18		Scoop Assembly—Primary air (RH)	XM	1
77	3-26499-1		Strap	XM	1
	15-13037		Installation—Cabin heat control (see fig. 57)	XM	NP

WING



C-8082

Figure 54—Glycol System

AN 01-20EG-4

WING
Glycol System

Figure & Index No.	Part Number	1 2 3 4 5 6 7	Nomenclature	Usage Code	Units Per Assy.
	85-6691		Glycol System.....		
	85-6691-3		Installation—Glycol system.....	QB	NP
54-1	65-6691-3		Tube Assembly.....	QB	1
2	65-6691-4		Tube Assembly.....	QB	1
3	85-6691-714		Tube Assembly.....	QB	1
4	85-6691-716		Tube Assembly.....	QB	1
5	9-3268		Tank Assembly—Insulated.....	QB	1
6	1-16658		Gage.....	QB	1
7	85-6691-719		Nut.....	QB	1
8	21-2363-128-86		Washer.....	QB	1
9	65-6691-6		Gasket—Vellumoid.....	QB	AR
10	85-6691-718		Tube Assembly.....	QB	1
	85-6691-717		Valve Unit Assembly.....	QB	1
11	10-2142-15		Valve Assembly—Pressure relief (Parker) (see fig. 55).....	QB	1
12	75-6691-606		Tube Assembly.....	QB	1
13	85-6691-709		Tube Assembly.....	T	1
	85-6691-723		Tube Assembly.....	KG	1
14	75-6691-609		Tube Assembly.....	T	1
	85-6691-722		Tube Assembly.....	KG	1
15	85-6691-710		Tube Assembly.....	QB	1
16	85-6691-712		Tube Assembly.....	QB	1
17	75-6691-604		Tube Assembly.....	QB	1
18	85-6691-708		Tube Assembly.....	QB	1
19	85-6691-700		Tube Assembly.....	QB	1
20	65-6691-503		Tube Assembly.....	QB	1
21	69-2423		Heater Assembly.....	QB	3
22	69-2423-605		Cylinder.....	QB	1
23	69-2423-601		Spindle.....	QB	1
24	69-2423-602		Pin.....	QB	1
25	69-2423-606		Cap.....	QB	1
26	69-2423-607		Washer.....	QB	1
27	65-6691-18		Tube Assembly.....	QB	1
28	65-6691-19		Tube Assembly.....	QB	1
29	65-6691-15		Tube Assembly.....	QB	1
30	65-6691-20		Tube Assembly.....	QB	1
31	65-6691-21		Tube Assembly.....	QB	1
32	65-6691-22		Tube Assembly.....	QB	1
33	65-6691-9		Tube Assembly.....	QB	1
34	65-6691-10		Tube Assembly.....	QB	1
35	85-6691-701		Tube Assembly.....	QB	1
	6-10445		Installation—Filter.....	QB	NP
	6-10445-1		Filter Assembly.....	QB	1
36	27250		Purolator Assembly (Type G159J18) (Purolator Products) (see fig. 55).....	QB	1
37	39G1030-8-16		Hose Assembly (43D2475-8D160 alternate).....	QB	1
	9-3265		Installation—Glycol tank bracket (see fig. 13).....	QB	NP
38	9-3265-1		Bracket Assembly.....	QB	2
39	9-3265-5		Strap Assembly.....	QB	4
40	AN3-12		Bolt—Aircraft.....	QB	4
	AN310-3		Nut—Aircraft castle.....	QB	4
41	RD4550		Pump Assembly—Glycol (Romec) (see AN03-35A-6) (see fig. 177).....	QB	Ref
42	65-6705		Installation—Cabin heating unit and cable (see fig. 143).....	QB	NP

Section 11
Group Assembly Parts List

AN 01-20EG-4

WING

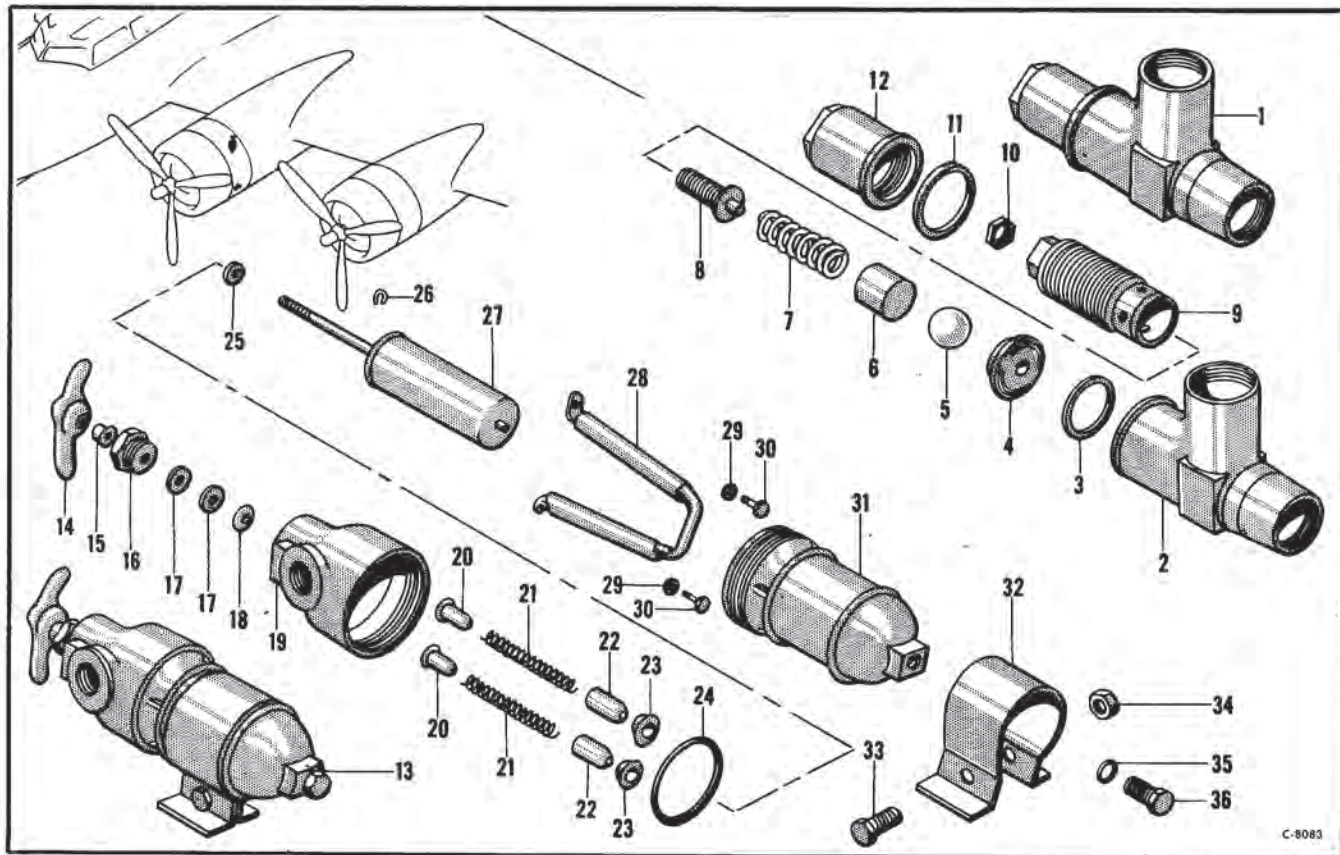


Figure 55—Pressure Relief Valve Assembly and Purolator Assembly

Pressure Relief Valve Assembly and Purolator Assembly

Figure & Index No.	Part Number	1 2 3 4 5 6 7	Nomenclature	Usage Code	Units Per Assy.
55-1	10-2142-15		Pressure Relief Valve Assembly and Purolator Assembly		
2	10-1542-21D3		Valve Assembly—Pressure relief (Parker) (see fig. 54)	QB	Ref
3	4-1640-18-21D12		Body	QB	1
4	10-1342-4SS10		Seat—Inserted	QB	1
5	12-1241-13-16SS9		Gasket—Seat	QB	1
6	10-1342-5SS10		Ball	QB	1
7	5-941-11SS8		Sleeve	QB	1
8	10-1842-5SS10		Spring	QB	1
9	10-1342-6SS10		Screw—Adjusting	QB	1
10	9-2039-5D1		Bushing	QB	1
11	8-1142-13-10D12		Nut—Lock	QB	1
12	10-1442-3D1		Gasket	QB	1
13	41-1042-34-3		Cap	QB	1
14	27250		Plug	QB	2
15	24412		Purolator Assembly—Type G159J18 (Purolator Products) (see fig. 54 and 121)	All	Ref
16	24335		Handle Assembly	All	1
17	26488		Nut	All	1
18	AN6225-3		Plug—Stuffing box packing	All	1
19	AN6229-3		Packing—“V” ring hydraulic	All	2
20	27383		Adapter—“V” ring male hydraulic packing	All	1
21	25660		Head	All	1
22	25663		Guide—Spring	All	2
23	25664		Spring—Relief valve	All	2
24	25665		Piston—Relief valve	All	2
25	AN6230-6		Seat—Valve	All	2
26	25320		Gasket—“O” ring hydraulic	All	1
27	25321		Cap—Retainer	All	1
28	25444		Retainer—Drive shaft	All	1
29	25449		Element Assembly	All	1
30	24433		Knife and Frame Assembly	All	1
31	AN500C10-4		Washer—Number 10 lock	All	2
32	25286		Screw—Fillister machine head	All	2
33	25473		Case	All	1
34	25547		Bracket	All	1
35	AN385D428		Screw—Hex head cap	All	1
36	25667		Nut—Self-locking	All	1
	25668		Gasket—Drain plug	All	1
			Plug—Drain	All	1

WING

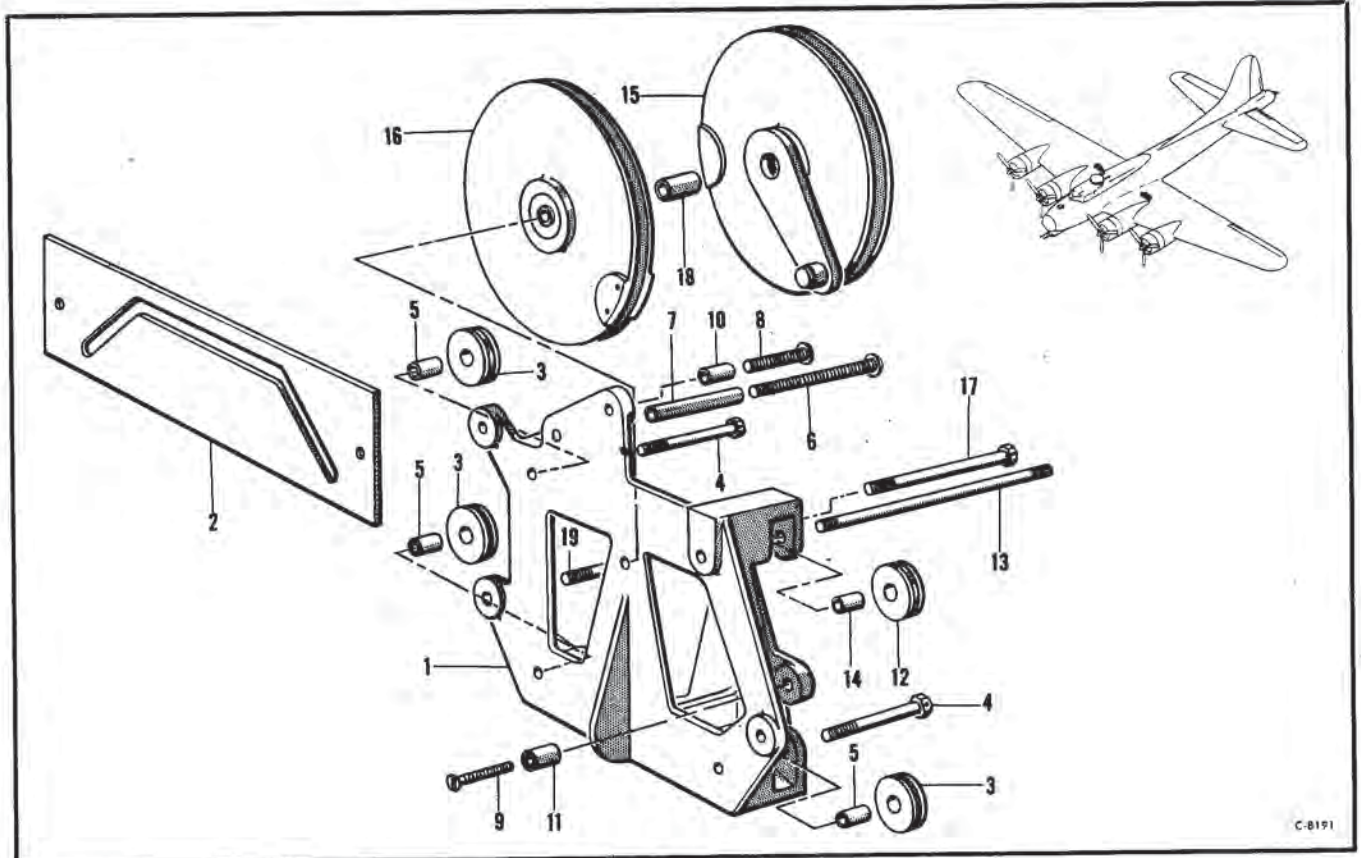


Figure 56—Cabin Heat Control Bracket

Cabin Heat Control Bracket

Figure & Index No.	Part Number	1	2	3	4	5	6	7	Nomenclature	Usage Code	Units Per Assy.
	15-12965								Installation—Cabin heat control bracket (LH) (see fig. 9)	XM	NP
	15-12965-1								Installation—Cabin heat control bracket (RH) (see fig. 9)	XM	NP
	15-12965-2								Bracket Assembly (LH) (see fig. 57)	XM	1
	15-12965-3								Bracket Assembly (RH) (see fig. 57)	XM	1
56-1	15-12964								Bracket—Cabin heat control (LH)	XM	1
	15-12964-1								Bracket—Cabin heat control (RH)	XM	1
2	6-14481								Plate—Cabin heat control	XM	1
3	3-23596								Roller—Cabin heat control	XM	3
4	AN3-20								Bolt—Aircraft	XM	3
5	BAC274S3-30								Bushing	XM	3
6	AN520-10-40								Screw—Round head	XM	1
7	BAC1603-112								Spacer	XM	1
8	AN520-10-20								Screw—Round head	XM	2
9	AN510-10-20								Screw—82 degree flat head (LH)	XM	1
	AN510-10R20								Screw—82 degree flat head (RH)	XM	1
10	BAC1603-32								Spacer	XM	1
11	3-21442-11								Spacer—Number 10 flat head screw	XM	1
12	3-23596								Roller	XM	1
13	1-22900-10								Stud—10-32 special	XM	1
14	BAC274S3-30								Bushing	XM	1
15	6-15264-2								Sheave Assembly—Heat control (LH)	XM	1
	6-15264								Sheave Assembly—Heat control (RH)	XM	1
16	6-15264-3								Sheave Assembly—Heat control (LH)	XM	1
	6-15264-1								Sheave Assembly—Heat control (RH)	XM	1
	6-15264-4								Lever Assembly	XM	1
	B55								Bearing—Needle (Torrington)	XM	1
	6-15264-5								Sheave Assembly	XM	1
	A207D4								Bearing	XM	1
17	AN4-26								Bolt—Aircraft	XM	1
18	BAC1604-38								Spacer	XM	1
19	AN3-33A								Bolt—Aircraft	XM	3
	AN4-33A								Bolt—Aircraft (RH)	XM	1

Section I I
Group Assembly Parts List

AN 01-20EG-4

WING

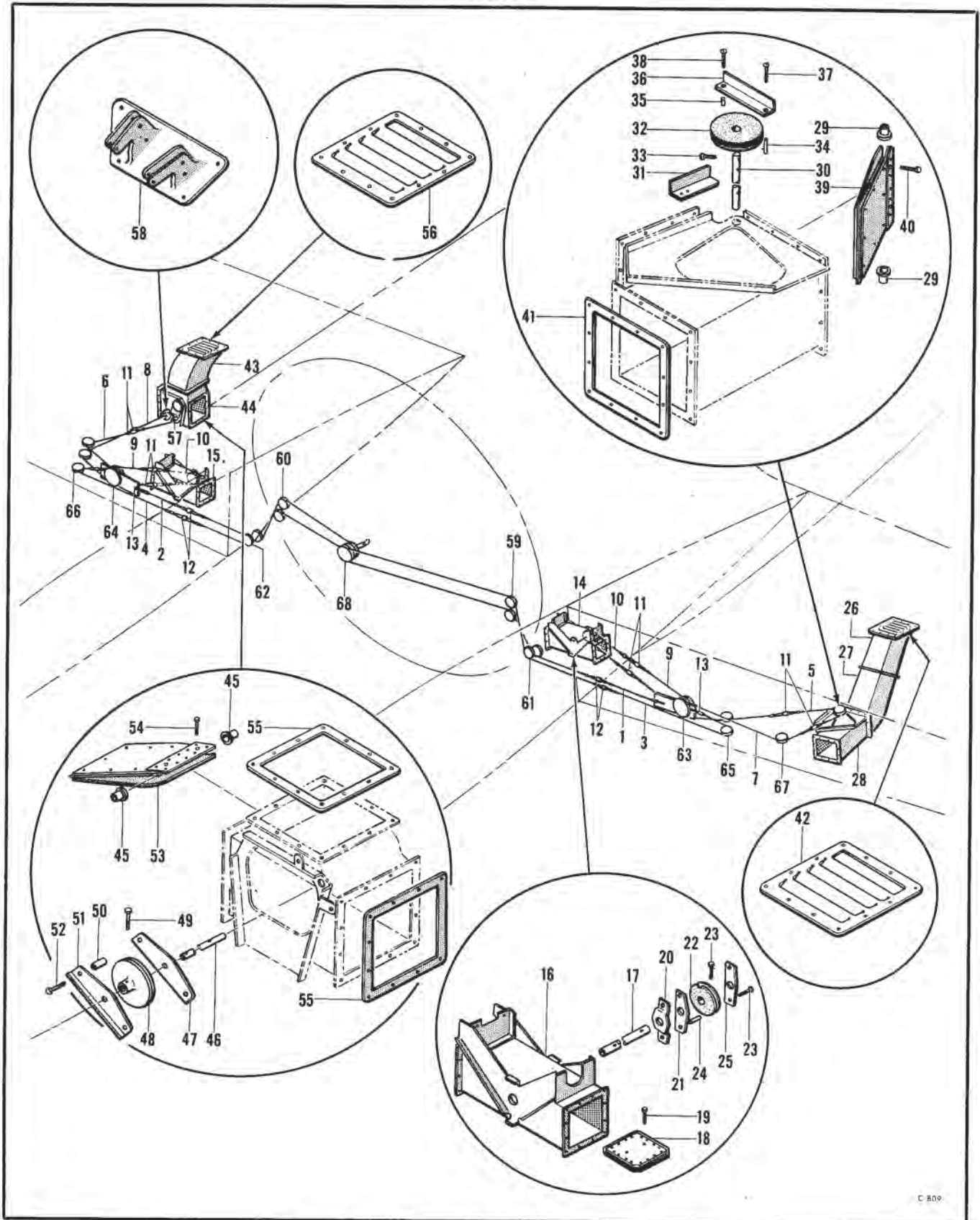
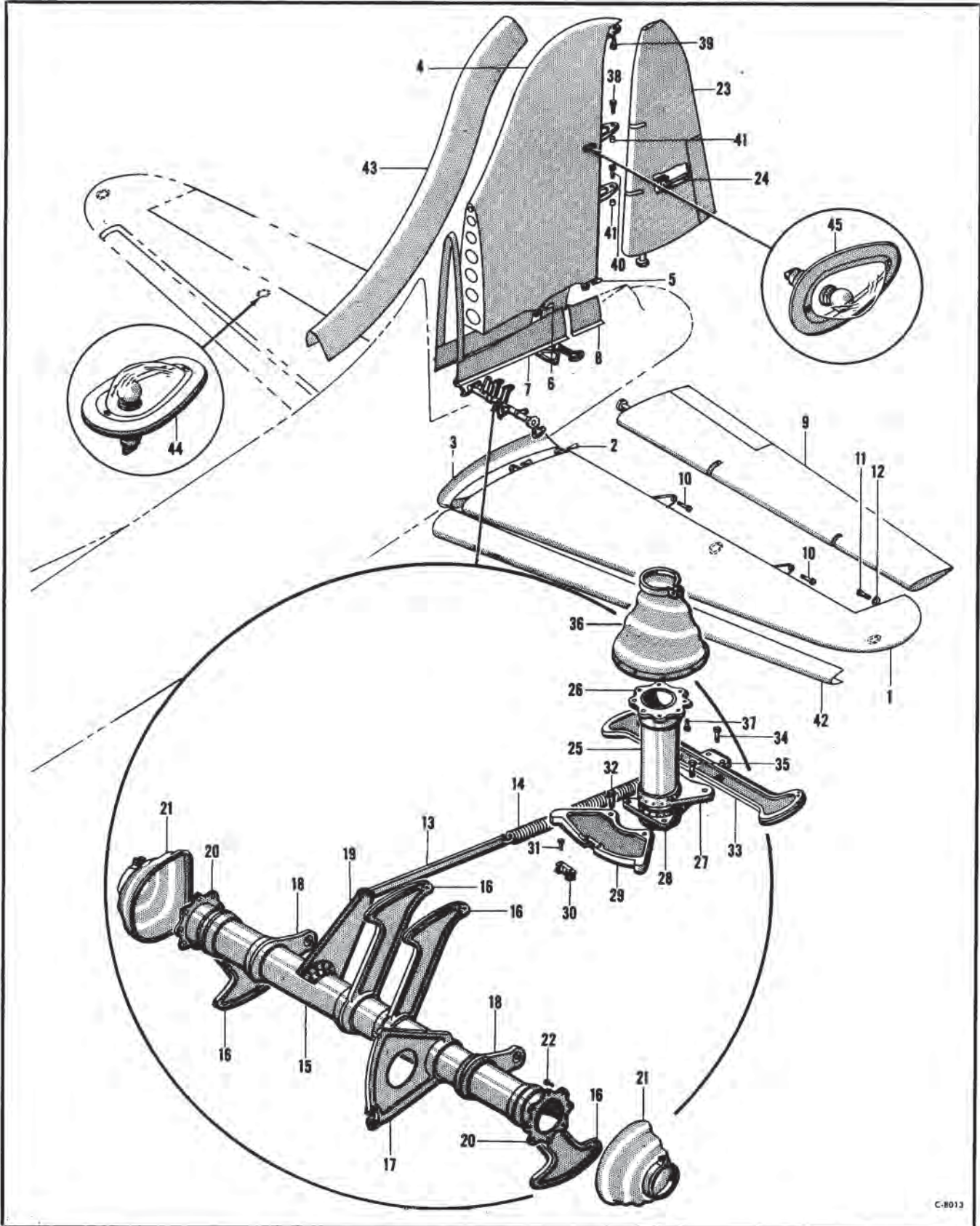


Figure 57—Cabin Heat Control

Page intentionally blank.

TAIL



C-8013

Figure 58—Tail Surfaces

AN 01-20EG-4

TAIL
Tail Surfaces

Figure & Index No.	Part Number	1 2 3 4 5 6 7	Nomenclature	Usage Code	Units Per Assy.
			Tail Surfaces		
			Installation—Control surface	All	NP
58-1	15-7324-2		Stabilizer Assembly—LH (see fig. 59)	UA	1
	15-7025		Stabilizer Assembly—RH (see fig. 59)	UA	1
	15-7025-1		Stabilizer Assembly—LH (see fig. 59)	EK	1
	15-7025-134		Stabilizer Assembly—RH (see fig. 59)	EK	1
	15-7025-140		Pin—Threaded taper	All	16
2	AN386-5-23A		Nut—Thin self-locking	All	16
	AN364-624		Washer—Taper pin	All	16
	AN975-6		Installation—Stabilizer gap cover LH (see fig. 60)	All	NP
3	15-7632		Installation—Stabilizer gap cover RH (see fig. 60)	All	NP
	15-7632-1		Fin Assembly (see fig. 59)	All	1
4	15-7023-103		Pin—Threaded taper	All	4
5	AN386-4-9A		Pin—Threaded taper	All	4
6	AN386-5-17A		Nut—Thin self-locking	All	4
	AN364-524		Nut—Thin self-locking	All	4
	AN364-624		Washer—Taper pin	All	4
	AN975-5		Washer—Taper pin	All	4
7	AN975-6		Installation—Fin and fuselage fairing station 8-10 (see fig. 60)	All	4
8	15-7630		Installation—Fin station fairing 10-11 (see fig. 60)	All	NP
9	15-7631		Elevator Assembly—LH (see fig. 59)	CA	1
	15-7026-39		Elevator Assembly—RH (see fig. 59)	CA	1
	15-7026-40		Elevator Assembly—LH (see fig. 59)	HH	1
	15-7026-43		Elevator Assembly—RH (see fig. 59)	HH	1
	15-7026-44		Bolt—Aircraft	All	4
10	AN4-13		Bolt—Aircraft	All	2
11	AN4-16		Nut—Aircraft castle	All	6
	AN310-4		Washer—Plain	All	6
12	AN960-416		Washer—Plain	All	2
	AN960-416		Installation—Elevator balance spring	All	NP
13	15-10983		Link—Elevator down spring	All	1
14	1-28304		Spring—Elevator down	All	1
	3-20118		Installation—Elevator torque tube	All	NP
	15-7617		Tube Assembly	All	1
15	15-7617-3		Tube—Elevator torque	All	1
16	15-7617-2		Mast—Elevator control	All	4
17	9-3664		Quadrant—Lock and stop	All	1
	9-3613		Socket—Elevator and rudder lock	All	1
18	1-18651		Hinge Assembly—Elevator	All	2
	6-9321		Bearing—Heavy duty metal shield	All	1
19	AN200K5		Arm Assembly—Torque tube	All	1
	6-13822		Collar—Torque tube	All	2
20	6-9208		Installation—Elevator torque tube boot (LH)	All	NP
	6-9455		Installation—Elevator torque tube boot (RH)	All	NP
21	6-9455-1		Boot Assembly—Elevator torque tube (LH)	All	1
	6-9455-4		Boot Assembly—Elevator torque tube (RH)	All	1
	6-9455-5		Bolt—Aircraft	All	16
22	AN3-7A		Nut—Self-locking	All	16
	AN365-1032		Washer—Plain	All	32
	AN960-10		Rudder Assembly (see fig. 59)	All	1
23	15-7024-53		Control—Rudder trim tab (see fig. 63)	All	1
24	15-9497		Installation—Rudder torque lower tube	All	NP
	15-7478		Tube	All	1
25	15-7478-2		Collar	All	1
26	6-9208		Fitting—Mast support	All	1
27	6-9221		Fitting—Quadrant support	All	1
28	6-9222		Quadrant Assembly—Rudder lock and stop	All	1
	9-3590		Quadrant	All	1
29	9-3590-1		Socket—Elevator and rudder lock	All	1
30	1-18651		Bolt—Close tolerance	All	2
31	NAS53A11-5		Nut—Self-locking	All	2
	AN365-1032		Washer—Plain	All	2
	AN960-10		Bolt—Close tolerance	All	2
32	NAS55A13		Nut—Self-locking	All	2
	AN365-524		Washer—Plain	All	2
	AN960-516		Mast—Rudder control	All	1
33	7-1515		Bolt—Aircraft	All	2
34	AN5-13A		Nut—Self-locking	All	2
	AN365-524		Washer—Plain	All	2
	AN960-516		Bolt—Aircraft	All	1
35	AN8-20		Nut—Aircraft castle	All	1
	AN310-8		Washer—Plain	All	3
	AN960-816		Installation—Rudder torque tube boot	All	NP
36	6-9458		Boot Assembly—Rudder torque tube	All	1
37	6-9458-1		Bolt—Aircraft	All	8
	AN3-7A		Nut—Self-locking	All	8
	AN365-1032		Washer—Plain	All	16
	AN960-10		Bolt—Aircraft	All	1
38	AN4-11		Bolt—Aircraft	All	1
39	AN4-16		Bolt—Aircraft	All	1
40	AN4-17		Bolt—Aircraft	All	1
	AN310-4		Nut—Aircraft castle	All	3
	AN960-416		Washer—Plain	All	2
41	BAC272854-13		Bushing—Running fit	All	2
			Tail de-icer (see fig. 61)		
42	FC163-8-1		Boot—Stabilizer de-icing (B. F. Goodrich)	All	2
43	FC163-9-1		Boot—Fin de-icing (B. F. Goodrich)	All	1
	3-12999		Installation—Body position light lamp	All	NP
44	37B4962-7		Lamp Assembly GFE	All	1
	3-12999-1		Installation—Body position light lamp	All	NP
45	37B4962-5		Lamp Assembly GFE	All	1

Section I I
Group Assembly Parts List

AN 01-20EG-4

TAIL

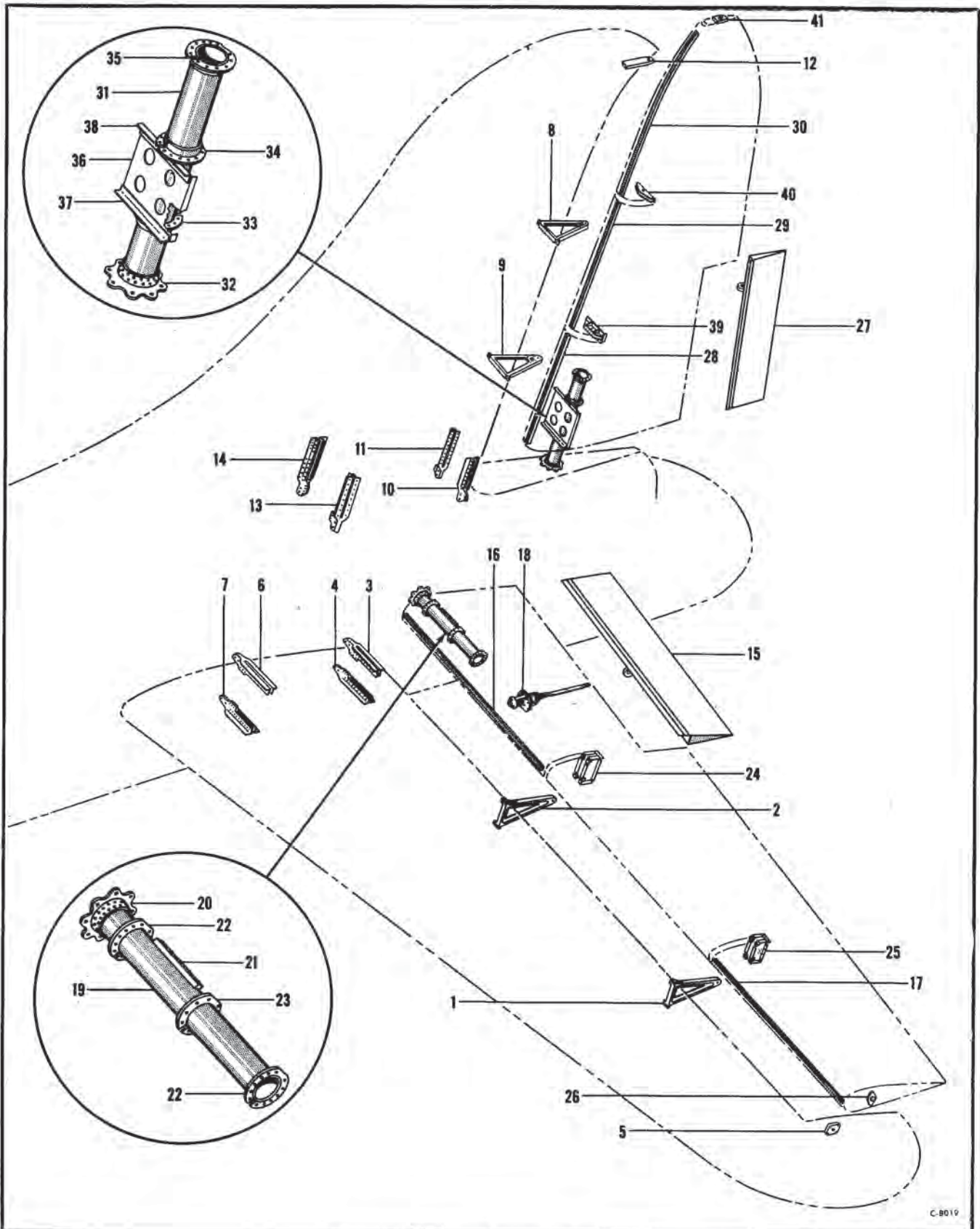


Figure 59—Tail Surfaces Details

TAIL

Tail Surfaces Details

Figure & Index No.	Part Number	1	2	3	4	5	6	7	Nomenclature	Usage Code	Units Per Assy.	
		Tail Surfaces Details.										
	15-7324-2								Installation—Control surface	AI	NP	
	15-7025								Stabilizer Assembly—LH (see fig. 58)	UA	Ref	
	15-7025-1								Stabilizer Assembly—RH (see fig. 58)	UA	Ref	
	15-7025-134								Stabilizer Assembly—LH (see fig. 58)	EK	Ref	
	15-7025-140								Stabilizer Assembly—RH (see fig. 58)	EK	Ref	
	15-7025-4								Tail Assembly	UA	1	
	15-7025-142								Tail Assembly	EK	1	
59-1	15-7385								Hinge Assembly—Elevator station 168	UA	1	
	15-7385-5								Hinge Assembly—Elevator station 168	EK	1	
2	15-7385-2								Hinge Assembly—Elevator station 94	AI	1	
	15-7367								Spar Assembly—Stabilizer rear	UA	1	
	15-7367-49								Spar Assembly—Stabilizer rear	EK	1	
3	8-1264								Terminal—Stabilizer rear spar	AI	1	
4	8-1264-1								Terminal—Stabilizer rear spar	AI	1	
	15-7025-2								Tip Assembly	AI	1	
	8-1298-1								Installation—Stabilizer rib station 229.3	AI	NP	
	8-1298-3								Tail Assembly—Rib	AI	1	
5	1-18209								Fitting—Stabilizer outboard	AI	1	
	15-7025-6								Leading Edge Assembly	UA	1	
	15-7025-141								Leading Edge Assembly	EK	1	
	15-7376								Spar Assembly—Stabilizer front	AI	1	
6	8-1268-3								Terminal—Stabilizer front spar	AI	1	
7	8-1268-4								Terminal—Stabilizer front spar	AI	1	
	15-7023-103								Fin Assembly (see fig. 58)	AI	Ref	
	15-7023-104								Frame Assembly—Rear	AI	1	
8	15-7388-2								Hinge Assembly—Rudder station 8	AI	1	
9	9-5206								Hinge Assembly—Rudder station 5	AI	1	
	8-1270								Spar Assembly—Fin rear	AI	1	
	14-2062								Installation—Fin rear spar terminal	AI	NP	
10	8-1267								Terminal—LH	AI	1	
11	8-1267-1								Terminal—RH	AI	1	
	15-7023-31								Tip Assembly	AI	1	
	8-1522								Installation—Fin rib station 11A	AI	NP	
	8-1522-1								Rib Assembly	AI	1	
12	3-13705								Hinge Assembly—Fin station 11A	AI	1	
	8-1269								Spar Assembly—Fin front	AI	1	
	14-2051								Installation—Fin front spar terminal	AI	NP	
13	8-1266								Terminal—LH	AI	1	
14	8-1266-1								Terminal—RH	AI	1	
	15-7026-39								Elevator Assembly—LH (see fig. 58)	CA	Ref	
	15-7026-40								Elevator Assembly—RH (see fig. 58)	CA	Ref	
	15-7026-43								Elevator Assembly—LH (see fig. 58)	HH	Ref	
	15-7026-44								Elevator Assembly—RH (see fig. 58)	HH	Ref	
15	14-2073								Tab Assembly—Elevator trim LH	CA	1	
	14-2073-1								Tab Assembly—Elevator trim RH	CA	1	
	14-3638								Tab assembly—Elevator trim LH	HH	1	
	14-3638-1								Tab Assembly—Elevator trim RH	HH	1	
	3-13513								Mast Assembly—Elevator tab control LH	AI	1	
	3-13513-1								Mast Assembly—Elevator tab control RH	AI	1	
16	6-9449								Weight—Elevator balance (LH)	LB	1	
	6-9449-1								Weight—Elevator balance (RH)	LB	1	
17	6-9449-3								Weight—Elevator balance	H	1	
	6-16234								Weight—Elevator balance (LH)	EM	1	
	6-16234-1								Weight—Elevator balance (RH)	EM	1	
	6-16234-3								Weight—Elevator balance	FF	1	
18	55-7580								Installation—Elevator trim tab control (LH) (see fig. 62)	AI	NP	
	55-7580-1								Installation—Elevator trim tab control (RH) (see fig. 62)	AI	NP	
	8-1521								Installation—Elevator torque tube (LH)	AI	NP	
	8-1521-1								Installation—Elevator torque tube (RH)	AI	NP	
	8-1521-2								Tube Assembly—Elevator torque	AI	1	
19	8-1521-3								Tube—Elevator torque	AI	1	
20	6-9208								Collar—Torque tube connecting	CB	1	
	6-11831								Collar—Torque tube connecting	IL	1	
21	8-1521-4								Shear Tie—Elevator torque tube	AI	1	
22	1-18191-1								Collar—Support	AI	2	
23	1-18192-1								Collar—Support	AI	1	
	15-7636								Installation—Elevator hinge station 94 (LH)	AI	NP	
	15-7636-1								Installation—Elevator hinge station 94 (RH)	AI	NP	
24	6-9375								Support Assembly—Elevator hinge bearing	AI	1	
	15-7637								Installation—Elevator hinge station 168 (LH)	AI	NP	
	15-7637-1								Installation—Elevator hinge station 168 (RH)	AI	NP	
25	6-9376								Support Assembly—Elevator hinge bearing	AI	1	
	15-7615								Installation—Elevator tail rib outboard (LH)	AI	NP	
	15-7615-1								Installation—Elevator tail rib outboard (RH)	AI	NP	
26	1-18230								Fitting Assembly—Elevator hinge	AI	1	
	15-7024-53								Rudder Assembly (see fig. 58)	AI	Ref	
27	14-2043								Tab Assembly—Rudder trim	AI	1	
	1-18464								Mast Assembly—Rudder trim tab	AI	1	
28	6-9452								Weight—Balance	LA	1	
29	6-9452-1								Weight—Balance	SB	1	
30	6-9452-4								Weight—Balance	LA	1	
	6-16240								Weight—Balance	PT	1	
	6-16240-1								Weight—Balance	ZM	1	
	6-16240-2								Weight—Balance	PT	1	
	6-16240-3								Weight—Balance	PT	1	
	6-16240-4								Weight—Balance	PT	1	
	15-7042-31								Installation—Rudder torque tube upper	AI	NP	
	15-7042-32								Tube Assembly—Rudder torque	AI	1	
31	15-7042-2								Tube—Rudder torque	AI	1	
32	6-9208								Collar—Torque tube connecting	CB	1	
	6-11831								Collar—Torque tube connecting	IL	1	
33	3-18263								Collar—Support	AI	1	
34	3-18262								Collar—Support	AI	1	
35	3-18264-1								Collar—Support	AI	1	
36	15-7042-3								Plate—Shear	AI	1	
37	15-7042-4								Angle	AI	1	
38	15-7042-5								Angle	AI	1	
	15-7479-34								Spar Assembly—Rudder rear	AI	1	
39	3-18261								Hinge—Rudder station 5	AI	1	
40	1-18607-1								Hinge—Rudder station 8	AI	1	
41	1-18824								Block—Rudder hinge	AI	1	

Section I I
Group Assembly Parts List

AN 01-20EG-4

TAIL

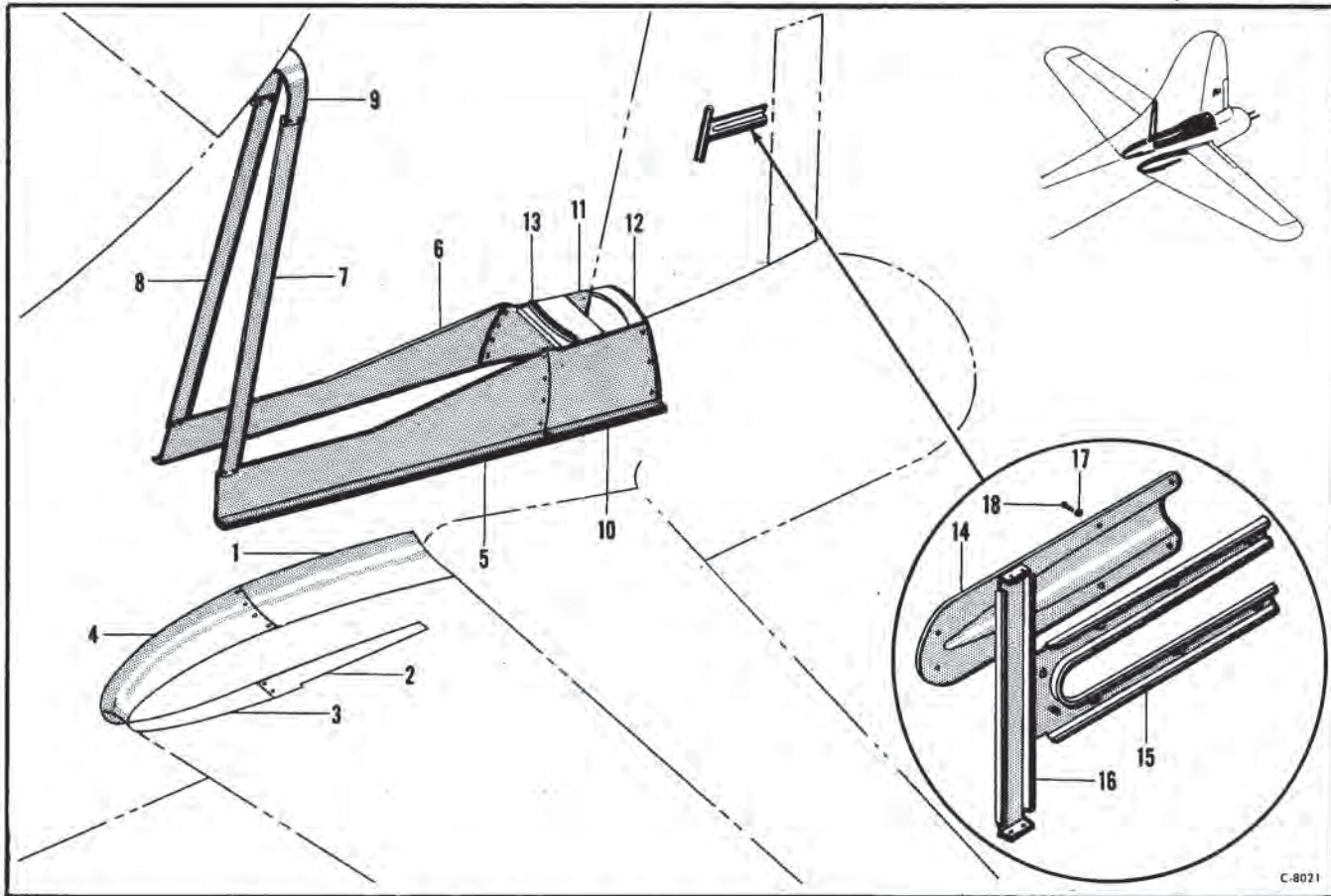


Figure 60—Tail Surfaces Fairings and Gap Covers

Tail Surfaces Fairings and Gap Covers

Figure & Index No.	Part Number	1	2	3	4	5	6	7	Nomenclature	Usage Code	Units Per Assy.
									Tail Surfaces Fairings and Gap Covers		
	15-7632								Installation—Stabilizer gap cover LH (see fig. 58)	All	NP
	15-7632-1								Installation—Stabilizer gap cover RH (see fig. 58)	All	NP
60-1	15-7632-6								Cover Assembly—LH	UA	1
	15-7632-28								Cover Assembly—LH	UA	1
	15-7632-7								Cover Assembly—RH	EK	1
	15-7632-29								Cover Assembly—RH	EK	1
2	15-7632-18								Cover—Gap LH	UA	1
	15-7632-24								Cover—Gap LH	UA	1
	15-7632-19								Cover—Gap RH	EK	1
	15-7632-25								Cover—Gap RH	EK	1
3	15-7632-14								Cover—Gap LH	UA	1
	15-7632-26								Cover—Gap LH	UA	1
	15-7632-15								Cover—Gap RH	EK	1
	15-7632-27								Cover—Gap RH	EK	1
4	15-7632-16								Cover—Gap LH	UA	1
	15-7632-32								Cover—Gap LH	UA	1
	15-7632-17								Cover—Gap RH	EK	1
	15-7632-33								Cover—Gap RH	EK	1
	15-7630								Installation—Fin & fus. station 8-10 fairing (see fig. 58)	All	NP
5	15-7630-9								Fairing—LH	All	1
6	15-7630-10								Fairing—RH	All	1
7	15-7630-3								Fairing—LH	All	1
8	15-7630-4								Fairing—RH	All	1
9	15-7630-5								Fairing Assembly	All	1
	15-7631								Installation—Fin station 10-11 fairing (see fig. 58)	All	NP
10	15-7631-1								Fairing Assembly—LH	All	1
11	15-7631-2								Fairing Assembly—RH	All	1
12	3-13718								Fairing Assembly	All	1
13	3-13720								Fairing Assembly	All	1
	15-7024-53								Rudder Assembly (see fig. 58)	All	Ref
	8-1538								Installation—Tab control fairing	All	NP
14	8-1538-1								Fairing	All	1
	8-1538-3								Support Assembly	All	1
15	8-1538-2								Support	All	1
16	3-16901								Channel	All	1
17	41-1831-3								Washer	All	8
18	AN526-1032R7								Screw—Truss head	All	8

TAIL

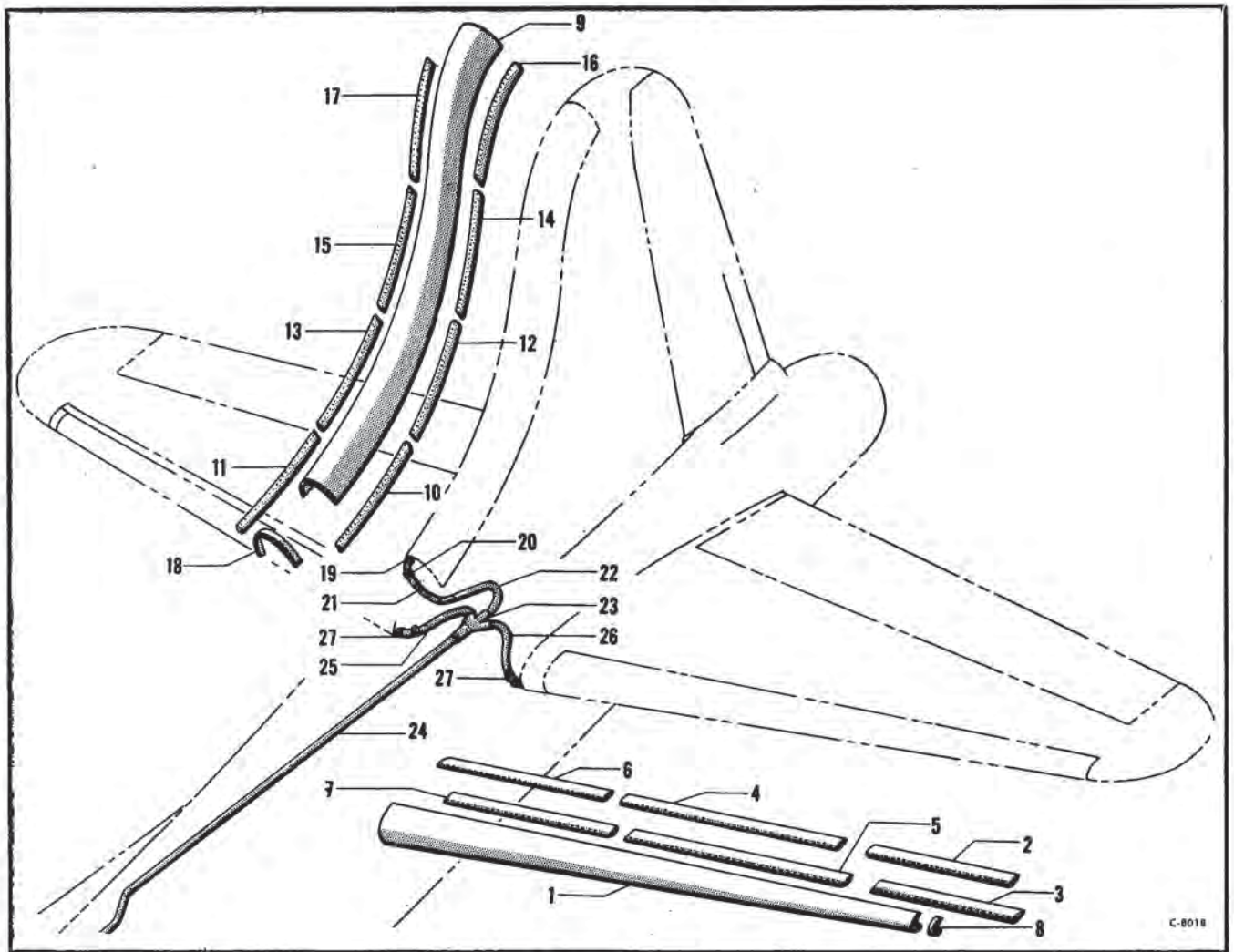


Figure 61—De-icer System

De-icer System

Figure & Index No.	Part Number	1	2	3	4	5	6	7	Nomenclature	Usage Code	Units Per Assy.
	15-7600								De-icer System		
61-1	FC163-8-1								Installation—Wings and tail de-icer	All	NP
2	15-7600-13								Boot—Stabilizer de-icer (B. F. Goodrich)	All	2
3	15-7600-14								Fairing—Stabilizer tip	All	1
4	15-7600-15								Fairing—Stabilizer tip	All	1
5	15-7600-16								Fairing—Stabilizer center	All	1
6	15-7600-17								Fairing—Stabilizer center	All	1
7	15-7600-18								Fairing—Stabilizer inboard	All	1
8	15-7600-213								Fairing—Stabilizer inboard	All	1
9	FC163-9-1								Strap—Stabilizer de-icer boot	All	1
10	15-7600-19								Boot—Fin de-icer (B. F. Goodrich)	All	1
11	15-7600-20								Fairing—Fin lower	All	1
12	15-7600-21								Fairing—Fin lower	All	1
13	15-7600-22								Fairing—Fin center	All	1
14	15-7600-23								Fairing—Fin center	All	1
15	15-7600-24								Fairing—Fin center	All	1
16	15-7600-25								Fairing—Fin upper	All	1
17	15-7600-28								Fairing—Fin upper	All	1
18	15-7600-28								Strap—Fin de-icer boot	All	1
19	15-7600-45								Manifold Assembly—Fin	All	1
20	41-688-3								Manifold—De-icer	All	1
21	15-7600-47								Hose—De-icer	All	1
22	15-7600-44								Tube—De-icer	All	1
23	15-7600-96								Tube—De-icer	All	1
24	3-11257								Manifold—De-icer	All	1
25	15-7600-95								Tube—De-icer	QB	1
26	15-7600-263								Tube—De-icer	XM	1
27	15-7600-97								Tube—De-icer	All	1
	15-7600-98								Tube—De-icer	All	1
	41-688-3								Manifold—De-icer	All	2

Section I I
Group Assembly Parts List

AN 01-20EG-4

TAIL

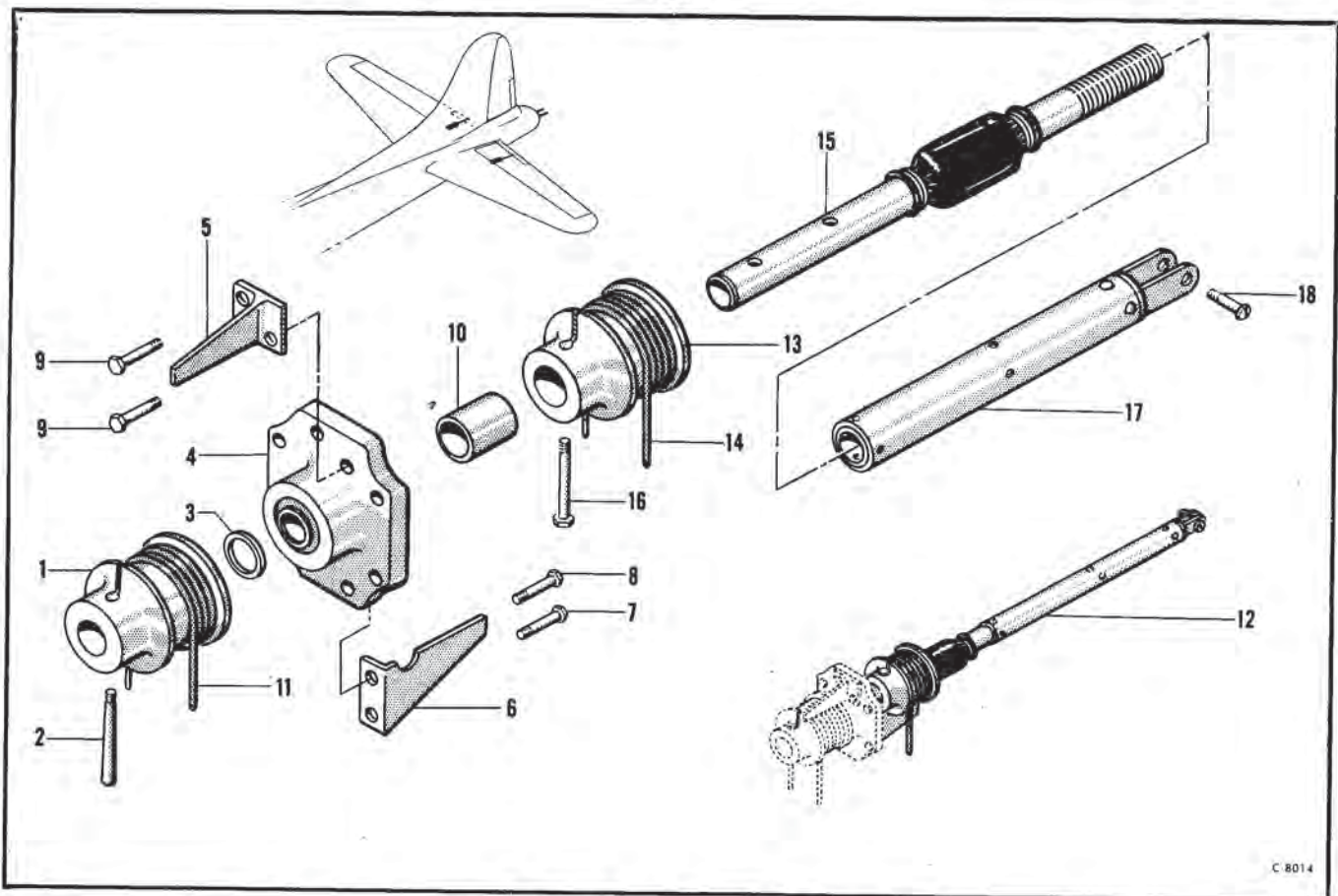


Figure 62—Elevator Trim Tab Control

Elevator Trim Tab Control

Figure & Index No.	Part Number	1 2 3 4 5 6 7	Nomenclature	Usage Code	Units Per Assy.
	55-7580		Installation—Elevator trim tab control (LH) (see fig. 59)	All	NP
	55-7580-1		Installation—Elevator trim tab control (RH) (see fig. 59)	All	NP
62-1	1-18494		Drum—Tab control	All	1
2	AN386-1-13A		Pin—Taper threaded	All	1
3	51-446-0-8		Spacer	All	1
4	6-9408-2		Housing Assembly—Tab control	All	1
	AN201K12A		Bearing—Metal shielded ball	All	2
5	1-18528		Guard—Elevator tab control cable	All	1
6	1-18289		Guard—Elevator tab control cable	All	1
7	AN3-4A		Bolt—Aircraft	All	5
8	AN3-6A		Bolt—Aircraft	All	2
9	AN3-7A		Bolt—Aircraft	All	1
10	51-446-0-60		Spacer	All	1
11	AN669L3LH		Terminal—Cable turnbuckle (LH)	All	1
	AN669L3RH		Terminal—Cable turnbuckle (RH)	All	1
12	6-9442-1		Control Assembly—Elevator trim tab (LH)	CA	1
	6-9442-3		Control Assembly—Elevator trim tab (LH)	HH	1
	6-9442-2		Control Assembly—Elevator trim tab (RH)	CA	1
	6-9442-4		Control Assembly—Elevator trim tab (RH)	HH	1
13	1-18494		Drum—Tab control	All	1
14	AN669L3RH		Terminal—Cable turnbuckle	All	1
	AN669L3RH		Terminal—Cable turnbuckle	All	1
15	3-13516		Screw Assembly—Elevator trim tab (LH)	CA	1
	3-13516-1		Screw Assembly—Elevator trim tab (RH)	HH	1
	1-18517		Screw—Trim tab (LH)	CA	1
	1-18517-1		Screw—Trim tab (RH)	HH	1
	21-9751-16		Installation—Universal grease boot	All	NP
	44B6540		Joint—Universal	All	1
16	AN3-17A		Bolt—Aircraft	All	1
17	3-13572		Nut Assembly—Elevator trim tab (LH)	All	1
	3-13572-3		Nut Assembly—Elevator trim tab (RH)	All	1
	1-18446		Terminal	All	1
18	NAS54-115		Bolt—Close tolerance	All	1

TAIL

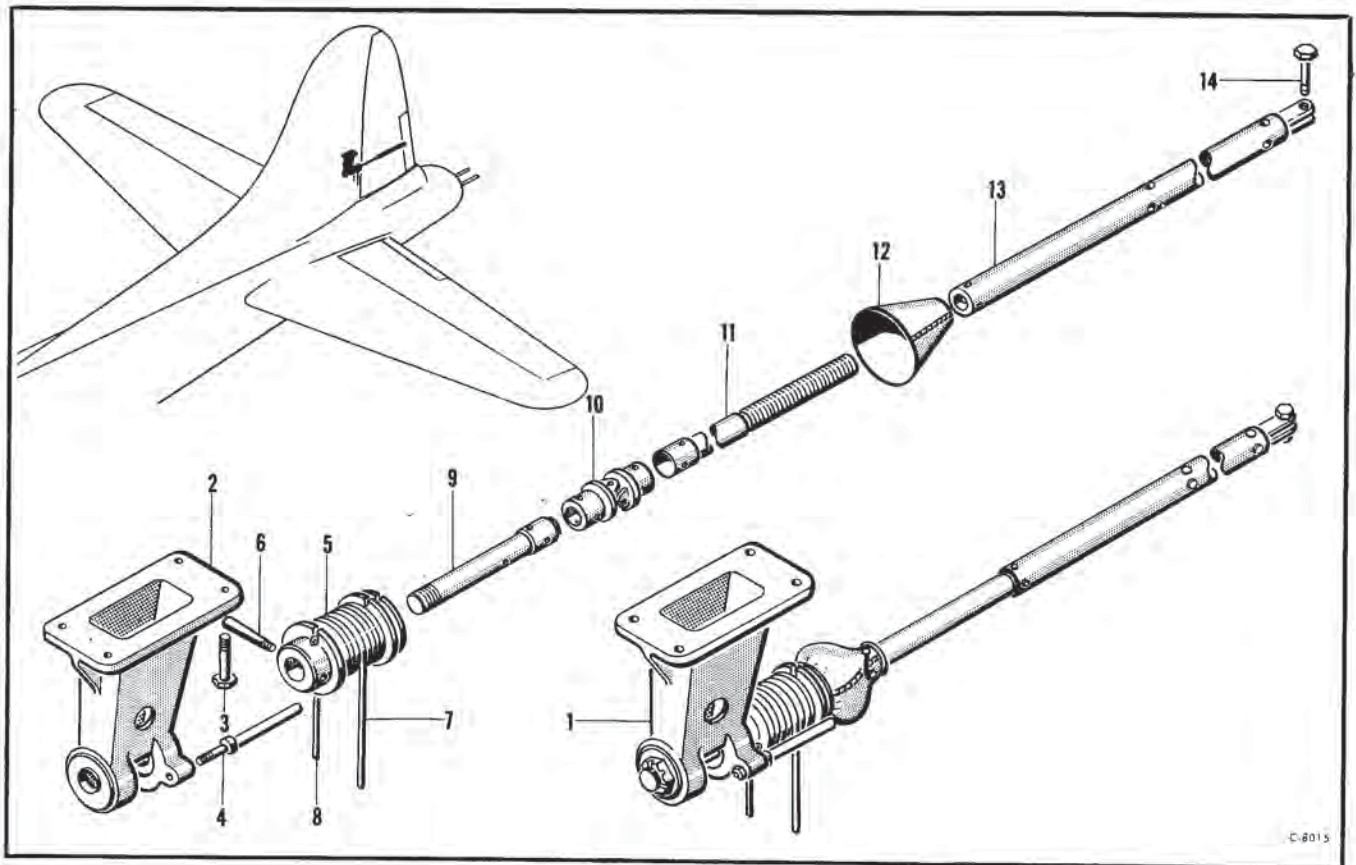


Figure 63—Rudder Trim Tab Control

Rudder Trim Tab Control

Figure & Index No.	Part Number	1 2 3 4 5 6 7	Nomenclature	Usage Code	Units Per Assy.
63-1	15-9497		Control—Rudder trim tab (see Fig. 58)	All	Ref
2	6-11992		Support Assembly—Rudder trim tab	All	1
	9-5067		Support—Rudder trim tab	All	1
	AN201K12A		Bearing—Metal shielded ball	All	2
3	AN4-20A		Bolt—Aircraft	All	4
4	1-25597		Guard—Cable	All	2
	15-9497-1		Drum Assembly	All	1
5	3-16978		Drum—Tab control	All	1
6	AN386-1-12A		Pin—Threaded taper	All	1
7	BAC1824-320-2751		Cable Assembly	All	1
8	15-9497-2		Cable Assembly	All	1
	BAC1831-13		Terminal	All	1
	AN669L3RH		Terminal—Cable turnbuckle	All	1
	6-12615		Screw Assembly—Tab control	All	1
9	3-16976		Shaft—Rudder tab control	All	1
	BAC1851-16		Joint—Universal	GB	1
10	44B6540		Joint—Universal (optional)	PL	1
11	3-16947		Screw—Trim tab	All	1
	3-18279		Installation—Rudder tab boot	GB	NP
12	3-18279-1		Boot	GB	1
13	3-13730		Nut Assembly—Rudder trim tab	All	1
	1-18446		Terminal—Trim tab rod	All	1
14	NAS54-11		Bolt—Close tolerance	All	1

FUSELAGE

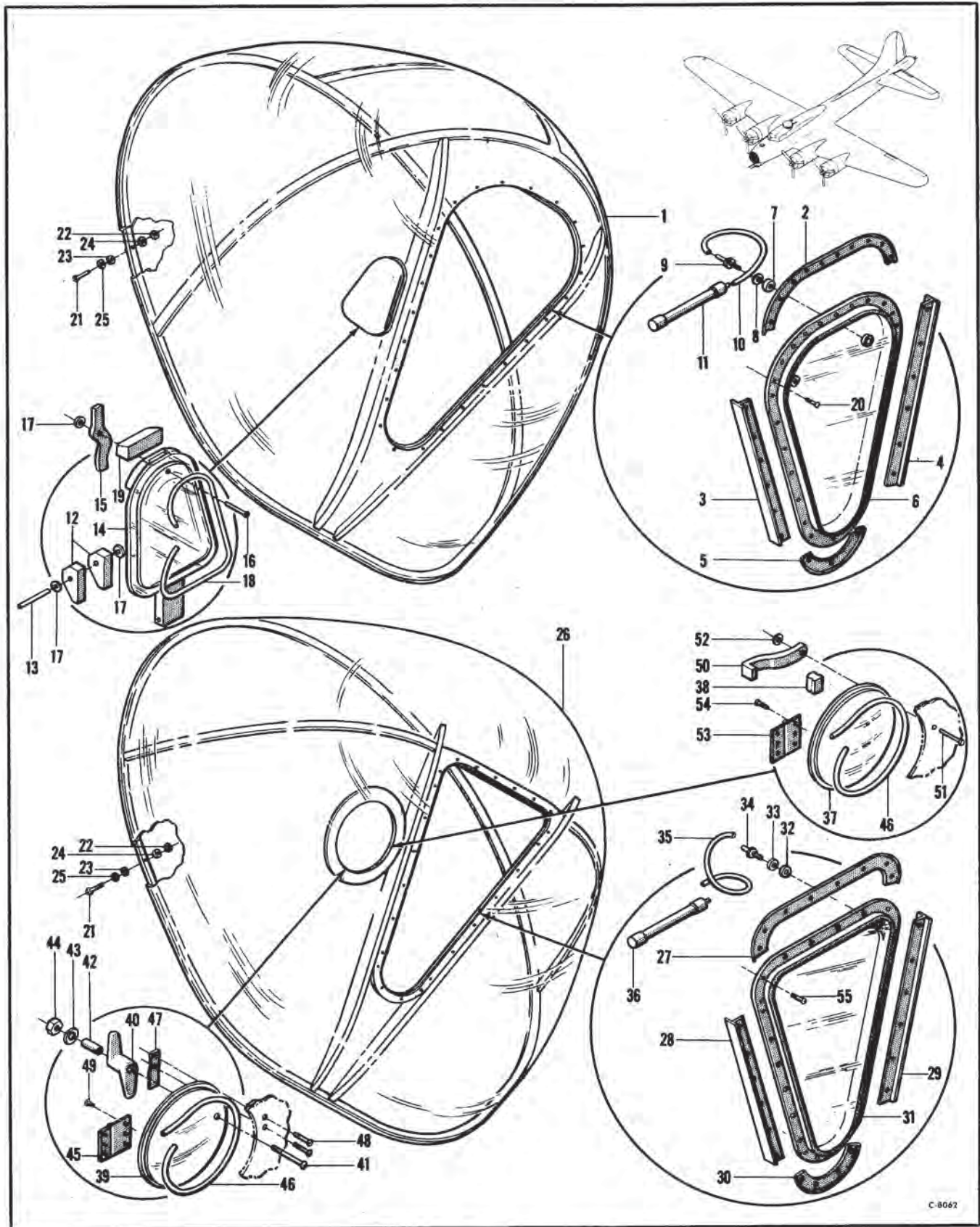


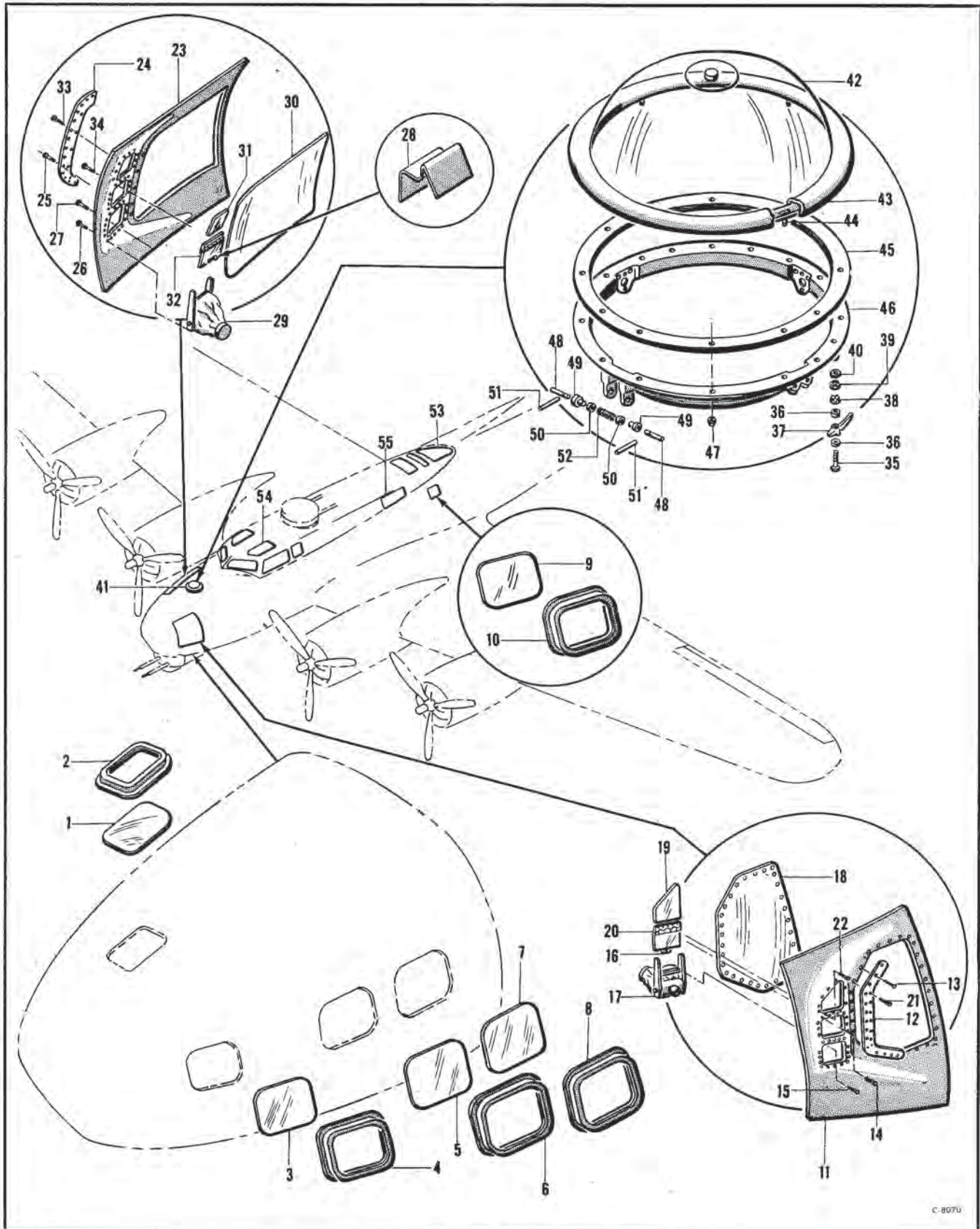
Figure 64—Nose Assembly

AN 01-20EG-4.

FUSELAGE
Nose Assembly

Figure & Index No.	Part Number	1 2 3 4 5 6 7	Nomenclature	Usage Code	Units Per Assy.
	55-7377		Nose Assembly		
	15-7991-28		Fuselage Assembly (see fig. 71)	All	Ref
	15-7991-26		Installation—Nose fuselage	All	NP
64-1	15-7991-27		Nose Assembly—Fuselage	J	1
2	15-7991-12		Nose	J	1
3	15-7991-18		Retainer (top)	J	1
4	15-7991-14		Retainer (side)	J	1
5	15-7991-13		Retainer (side)	J	1
6	15-7991-13		Retainer (bottom)	J	1
7	41-4888-14-7		Window Assembly—Bombardier	J	1
8	AN960-10L		Washer—1-16 rubber	J	1
9	1-20354		Washer—Plain	J	1
10	15-9771-10		Vent—Dehydrator	J	1
11	3-13930		Tube—Rubber	J	1
12	15-7991-3		Tube Assembly—Dehydrator	J	1
13	15-7991-21		Hinge	J	2
14	15-7991-22		Pin	J	1
15	15-7991-36		Door	J	1
16	15-7991-20		Latch	J	1
17	AN960B8		Pin—Countersunk head	J	1
18	15-7991-24		Washer—Plain	J	3
19	15-7991-5		Tubing—Rubber	J	1
20	BAC1457-10-205		Catch	J	1
	AN365-1032		Screw—Oval head machine	J	25
21	AN3-13A		Nut—Self-locking	J	25
	AN3-12A		Bolt—Aircraft	All	29
	AN364-1032		Bolt—Aircraft	All	3
22	AN960D10		Nut—Thin self-locking	All	29
23	BAC1908-55K		Washer—Plain	All	32
24	BAC1908-64K		Washer—Plain	All	32
25	BAC1908-43AL		Washer—Plain	All	32
	15-11406		Nose Assembly—Fuselage	MF	1
26	15-11406-28		Nose Assembly—Fuselage	KO	1
	15-11406-29		Nose	KO	1
	15-11406-1		Nose	MF	1
27	15-11406-8		Retainer (top)	OF	1
28	15-11406-10		Retainer (side)	OF	1
29	15-11406-11		Retainer (side)	OF	1
30	15-11406-9		Retainer (bottom)	OF	1
31	14-3610		Window Assembly—Bombardier	OF	1
32	41-4888-14-7		Washer—1-16 rubber	OF	1
33	AN960-10L		Washer—Plain	OF	1
34	1-20354		Vent—Dehydrator	OF	1
35	15-11406-6		Tube—Rubber	OF	1
36	3-13930		Tube Assembly—Dehydrator	OF	1
	15-11406-31		Door Assembly	JO	1
37	15-11406-18		Door	JO	1
38	15-11406-15		Handle	JO	1
	15-11406-33		Door Assembly	RQ	1
39	15-11406-18		Door	RQ	1
40	3-29904		Handle—Access door	RQ	1
41	AN526-1032R28		Screw—Truss head	RQ	1
42	NAS75-3-028		Bushing—Plain steel	RQ	1
43	AN960D10		Washer—Plain	RQ	1
44	AN365-1032		Nut—Self-locking	RQ	1
45	15-11406-27		Hinge	KO	1
46	15-11406-12		Tubing—Rubber	OF	1
47	3-29905		Spring—Access door	RQ	1
48	AN526-832R18		Screw—Truss head	RQ	2
	AN365-832		Nut—Self-locking	RQ	2
49	AN530-6R6		Screw—Round head	KO	6
50	15-11406-19		Latch	KO	1
51	15-11406-30		Pin—Countersunk head	KO	1
	15-11406-14		Pin—Countersunk head	MF	1
52	AN960B8		Washer—Plain	All	2
53	AN250-11U		Hinge—Butt	MF	1
54	AN530-4R6		Screw—Round head	MF	6
55	BAC1457-10-205		Screw—Oval head machine	OF	24
	AN365-1032		Nut—Self-locking	OF	24

FUSELAGE



C-807U

Figure 65—Forward Section Windows

AN 01-20EG-4

FUSELAGE

Forward Section Windows

Figure 6
Index No.

Part Number

1 2 3 4 5 6 7

Nomenclature

Usage
Code

Units
Per Assy.

Figure 6 Index No.	Part Number	1	2	3	4	5	6	7	Nomenclature	Usage Code	Units Per Assy.
	55-7330								Forward Section Windows		
	75-5667								Fuselage Assembly—Forward section (see fig. 71)	All	Ref
	75-5667-800								Installation—Window station 1-3	All	NP
65-1									Window	All	1
2									Frame Assembly	All	1
3									Window	AB	2
4									Frame Assembly—LH	AB	1
									Frame Assembly—RH	All	1
5									Window	All	2
6									Frame Assembly—LH	All	1
									Frame Assembly—RH	AB	1
7									Window—LH	All	1
									Window—RH	All	1
8									Frame Assembly—LH	All	1
									Frame Assembly—RH	All	1
	3-12211								Installation—Window station 5C (LH)	All	NP
	3-12211-1								Installation—Window station 5C (RH)	All	NP
9									Window	All	1
10									Frame Assembly—LH side	All	1
									Frame Assembly—RH side	All	1
	15-13839								Installation—Cheek gun doubler LH	AL	NP
	15-13839-4								Doubler Assembly	AL	1
11									Doubler	AL	1
12									Fairing	AL	1
13									Screw—Round head self-tapping	All	15
	AN936A8								Washer—Lock	AL	15
14									Bolt—Aircraft	AL	16
	AN960D416								Washer—Plain	AL	16
15									Screw—Sheet metal round head	AL	10
16									Lock—Sight window	AL	1
17									Mount Assembly—Cheek gun (see fig. 146)	AL	1
18									Window	AL	1
19									Window—Scanning	AL	1
20									Window Assembly—Cheek sight	AL	1
21									Screw—Sheet metal round head	AL	22
22									Screw—Sheet metal round head	AL	10
	15-13843								Installation—Cheek gun doubler RH	AL	NP
	15-13843-9								Doubler Assembly	AL	1
23									Doubler	AL	1
24									Strip—Fairing	AL	1
25									Screw—Round head self-tapping	AL	16
	AN504-8R8								Washer—Lock	AL	16
	AN936A8								Screw—Sheet metal round head	AL	10
26									Bolt—Aircraft	AL	16
27									Washer—Plain	AL	16
	AN960D416								Lock—Sight window	AL	1
28									Mount Assembly—Cheek gun (see fig. 146)	AL	1
29									Window	AL	1
30									Window—Scanning	AL	1
31									Window Assembly—Cheek sight	AL	1
32									Screw—Sheet metal round head	AL	27
33									Screw—Sheet metal round head	AL	16
34									Installation—Astrodome	All	NP
	6-11474								Installation—Astrodome lock (LH)	All	NP
	3-18164								Installation—Astrodome lock (RH)	All	NP
	3-18164-1								Handle Assembly—LH	All	1
	3-18164-2								Handle Assembly—RH	All	1
	3-18164-3								Bolt—Special	All	1
35									Washer—Plain	All	2
36									Handle—Astrodome	All	1
37									Nut—Aircraft shear	All	1
38									Nut—Aircraft check	All	1
39									Washer—Lock	All	1
40									Astrodome Assembly	All	1
41									Dome—Navigation observation (Spec 33001) GFE	All	1
42									Seal—Astrodome	All	1
43									Segment Assembly—Astrodome	All	6
44									Gasket	All	1
45									Ring—Astrodome support	All	1
46									Nut—Self-locking	All	12
47									Shaft—Astrodome hinge	All	2
48									Bushing—Astrodome hinge	All	2
49									Washer—Plain	All	2
50									Pin—Astrodome hinge	All	2
51									Spring—Astrodome hinge	All	1
52									Installation—Top gun emplacement fair. (see fig. 76 & 147)	All	NP
53									Installation—Pilots cockpit enclosure (see fig. 67)	All	NP
54									Installation—Life raft fairing (see fig. 82)	FB	NP
55									Installation—Life raft fairing (see fig. 82)	NL	NP

FUSELAGE

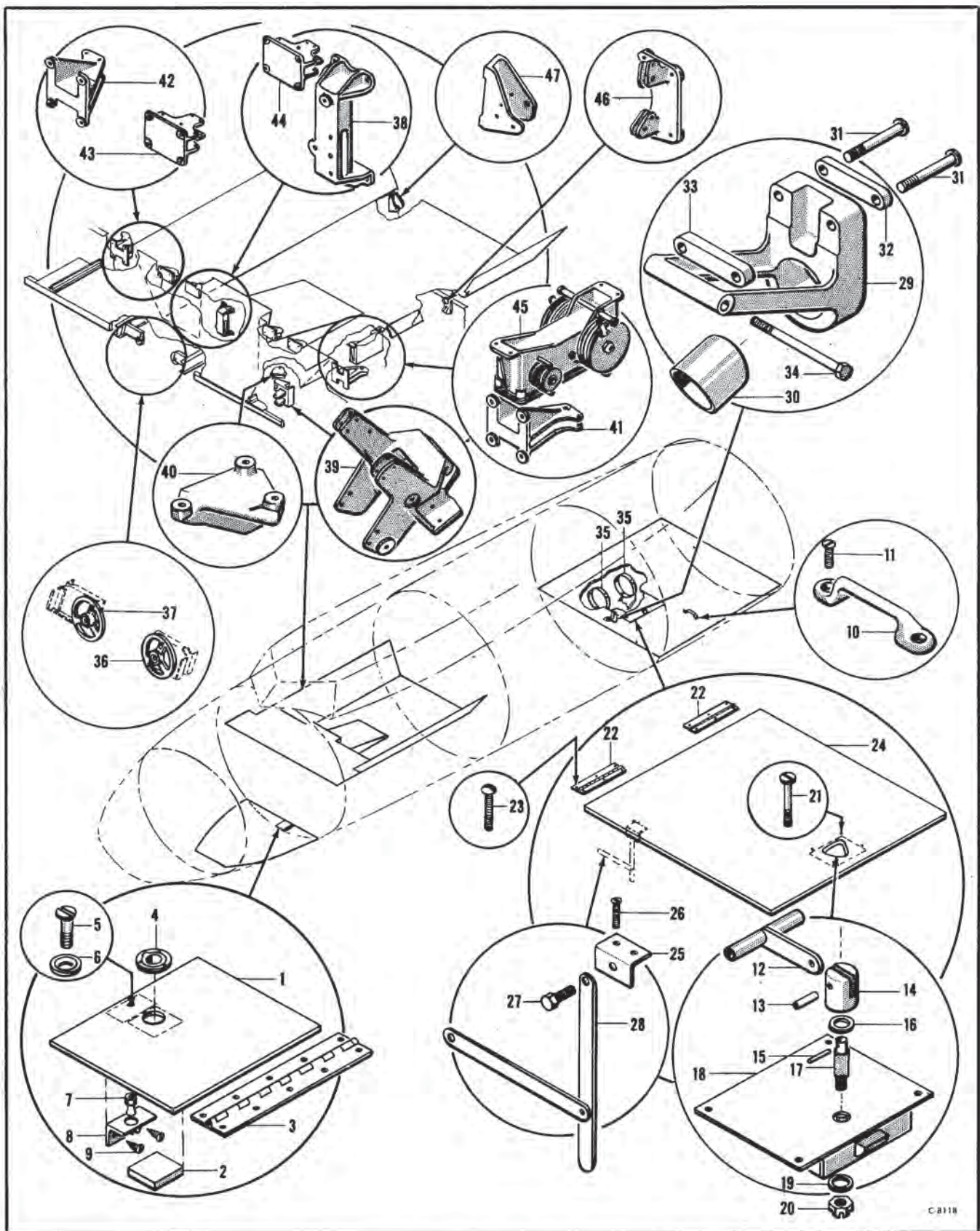


Figure 66—Forward Section Flooring Special Fittings.

AN 01-20EG-4

FUSELAGE

Forward Section Flooring Special Fittings

Figure & Index No.	Part Number	1 2 3 4 5 6 7	Nomenclature	Usage Code	Units Per Assy.
			Forward Section Flooring Special Fittings		
	55-7330		Fuselage Assembly—Forward section (see fig. 71)	All	Ref
	12-839		Installation—Navigators floor	All	NP
	12-839-17		Floor Assembly	NB	1
	12-829-23		Floor Assembly	HM	1
	12-839-2		Door Assembly	All	1
66-1	12-839-3		Door	All	1
2	12-839-5		Block—Reinforcing	All	1
3	12-839-4		Hinge	All	1
4	B25		Ring—1 1/4 flush (Seattle Hardware Co.)	All	1
5	AN505-6R8		Screw—Flat head	All	1
6	BAC1907-2		Washer—Countersunk	All	1
7	P101-447		Stud—Snap (Tinnerman)	All	1
8	3-21110		Latch Assembly—Door	All	1
9	PK84XA8-10		Screw—Sheet metal round recessed head (Parker Kalon)	All	1
	75-3577		Installation—Radio and gunners floor (see fig. 73)	EA	NP
	75-3577-679		Panel Assembly—LH	EA	1
	75-3577-719		Panel Assembly—LH	QH	1
10	1-20348		Loop—Footman	All	1
11	AN510-416R16		Screw—Flat head	All	2
	AN970-4		Washer—Flat	All	2
	AN365-428		Nut—Self-locking	All	1
	75-3577-658		Door Assembly—Forward	All	1
	3-13740-1		Installation—Camera hatch latch	All	NP
	3-13740-3		Latch Assembly	All	1
	1-18578		Spindle Assembly—Camera hatch latch	All	1
12	1-18849		Handle Assembly	All	1
13	1-18578-2		Pin	All	1
14	1-18388		Cap	All	1
15	1-18578-1		Pin	All	1
16	AN960D416		Washer—Plain	All	1
17	1-18448		Spindle	All	1
18	1-18462		Plate Assembly—Camera hatch latch	All	1
	1125		Latch (Dayton Mfg. Co.)	All	1
19	AN960D416		Washer—Plain	All	1
20	AN310-4		Nut—Aircraft castle	All	1
21	AN531-8R24		Screw—Sheet metal flat head	All	4
22	75-3577-661		Hinge	All	2
23	AN526-1032ER4		Screw—Truss head	All	6
24	75-3577-669		Panel	All	1
25	75-3577-686		Angle	XC	1
26	AN531-6R10		Screw—Sheet metal flat head	XC	2
27	AN3-4		Bolt—Aircraft	XC	1
	AN960-10L		Washer—Plain	XC	2
	AN310-3		Nut—Aircraft castle	XC	1
28	441K		Brace—Door (Seattle Hardware Co.)	XC	1
	3-11852		Installation—Flap control bearing	All	NP
	3-11852-5		Bearing Assembly	All	1
29	3-11852-7		Housing	All	1
30	3-11852-3		Bearing	All	1
31	NAS221-28		Screw—Brazier head	All	2
	AN365-1032		Nut—Self-locking	All	2
32	3-11852-6		Spacer	All	1
33	3-11852-4		Spacer	All	1
34	AN3-26A		Bolt—Aircraft	All	1
	AN365-1032		Nut—Self-locking	All	1
	AN960D10		Washer—Plain	All	1
35	6-8143		Installation—Anti-icing tank cradle (see fig. 138)	All	NP
	85-3513		Installation—Pilots floor	All	NP
	75-3513-649		Floor Assembly	All	1
	6-7791-21		Installation—Supercharger & mixture control bracket (LH)	E	NP
	3-11133-22		Pulley Assembly—Engine controls	E	1
36	3-11133-11		Pulley Assembly	E	1
	6-7791-22		Installation—Supercharger & mixture control bracket (RH)	All	NP
	3-12038-3		Pulley Assembly—Engine controls	All	1
37	3-12038-1		Pulley Assembly	All	1
	75-3513-700		Floor Assembly	All	1
	48-1073		Beam Assembly—Pilots floor	All	1
	6-4856		Bracket Assembly—Rudder tab	All	1
38	6-12636		Bracket—Rudder tab	All	1
	15-11633		Installation—Bomb control bracket	HA	NP
	15-11633-1		Bracket Assembly	HA	1
39	15-11632		Bracket—Bomb release	HA	1
	9-6274		Installation—Emergency bomb release bracket	HA	NP
	9-6274-1		Bracket Assembly	HA	1
40	9-6256-3		Bracket—Emergency bomb release	HA	1
	15-12784		Installation—Rudder control bracket	DK	NP
	15-12784-1		Bracket Assembly (LH)	DK	1
41	15-12775		Bracket—Rudder control	DK	1
	15-12784-2		Bracket Assembly (RH)	DK	1
42	15-12775-1		Bracket—Rudder control	DK	1
	15-12784-3		Bracket Assembly	DK	2
43	9-7066		Bracket—Rudder control	DK	1
	15-12784-4		Bracket Assembly	DK	2
44	9-7066		Bracket—Rudder control	DK	1
	15-10990		Installation—Bomb release unit	HA	NP
45	15-10967		Unit Assembly—Bomb control (see fig. 158)	HA	1
	9-6265		Installation—Bomb release control bracket	HA	NP
	9-6265-1		Bracket Assembly	All	1
46	9-6262		Bracket—Bomb release control	All	1
	6-14798		Installation—External bomb control bracket	HA	NP
	6-14798-1		Bracket Assembly	All	1
47	6-14783		Bracket—External bomb control	All	1

FUSELAGE

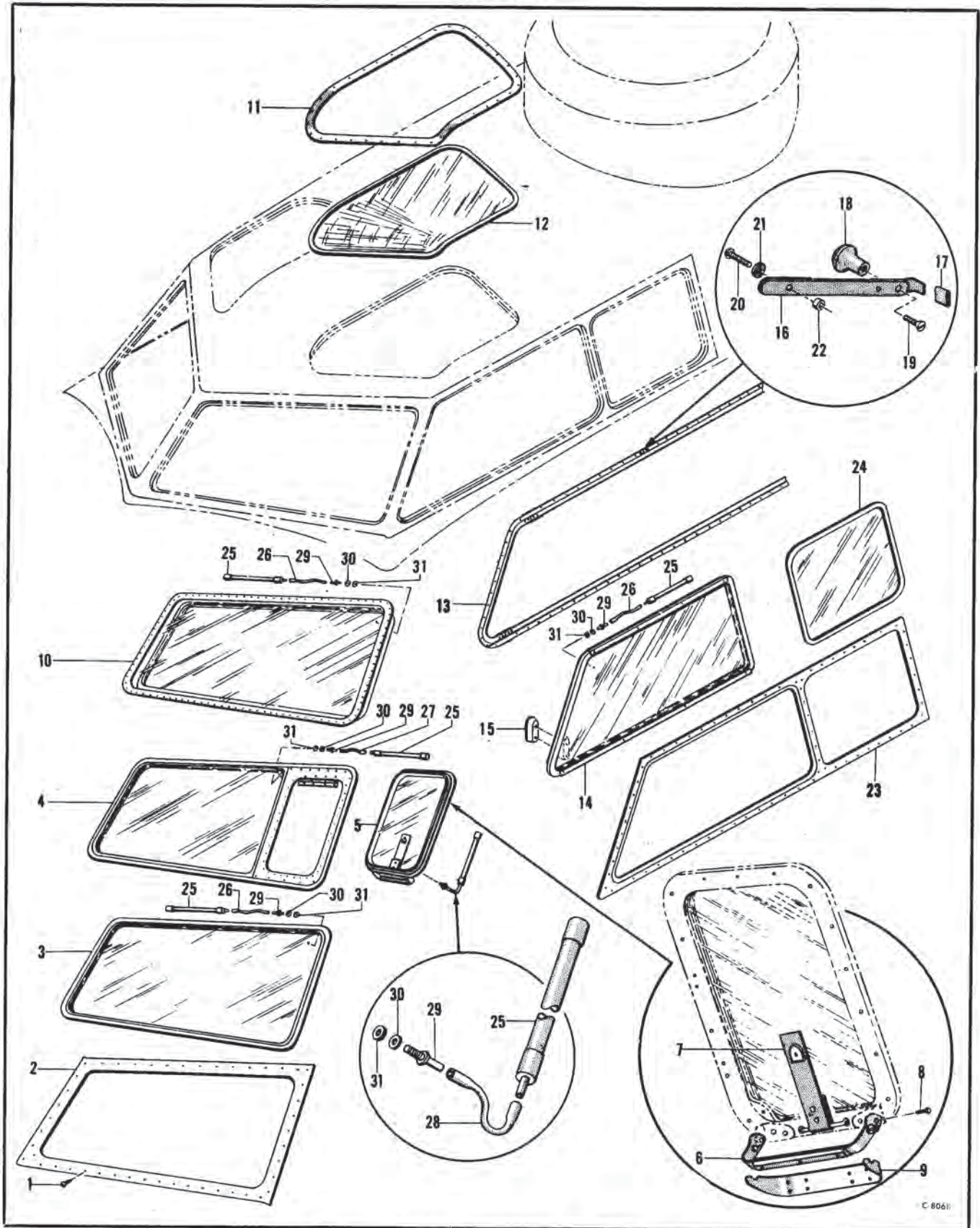


Figure 67—Pilot's Cockpit Windows and Windshield

FUSELAGE

Pilots Cockpit Windows and Windshield

Figure & Index No.	Part Number	1	2	3	4	5	6	7	Nomenclature	Usage Code	Units Per Assy
									Pilots Cockpit Windows and Windshield.....	All	NP
	15-8765								Installation—Pilots cockpit enclosure (see fig. 65).....	FB	1
	15-8765-1								Enclosure Assembly.....	ML	1
	15-8765-132								Enclosure Assembly.....	2P	1
	15-8765-151								Enclosure Assembly.....	CQ	1
	15-8765-147								Enclosure Assembly.....	All	104
67-1	AN530-10R6								Screw—Sheet metal round head.....	All	1
2	75-3471-410								Plate—Cover (LH).....	All	1
	75-3471-411								Plate—Cover (RH).....	All	1
3	15-3757-2								Windshield Assembly—Cockpit enclosure (LH).....	J	1
	15-8757-3								Windshield Assembly—Cockpit enclosure (RH).....	J	1
	15-12921								Windshield Assembly—Cockpit enclosure (LH).....	NF	1
	15-12921-1								Windshield Assembly—Cockpit enclosure (RH).....	NF	1
4	15-12921-12								Window Assembly (LH).....	NF	1
	15-12921-7								Hinge.....	NF	1
	15-12921-20								Window Assembly (RH).....	NF	1
	15-12921-7								Hinge.....	NF	1
5	15-12921-4								Window Assembly (LH).....	NF	1
	15-12921-15								Window Assembly (RH).....	NF	1
6	6-14445								Handle Assembly—Window pull.....	All	1
7	3-22442								Strap Assembly—Window support.....	All	1
	6403B								Loop—Footman (Eberhard Mfg. Co.).....	All	1
8	AN3-5								Bolt—Aircraft.....	All	2
	AN960D10								Washer—Plain.....	All	2
	AN310-3								Nut—Aircraft castle.....	All	2
9	3-22547								Support Assembly—Window pull.....	All	2
10	15-16196								Windshield Assembly—Cockpit enclosure (LH).....	CQ	1
	15-16196-1								Windshield Assembly—Cockpit enclosure (RH).....	CQ	1
	15-8765-135								Gasket, Windshield—Cork.....	CQ	2
11	75-3471-608								Retainer—Upper window (LH).....	All	1
	75-3471-609								Retainer—Upper window (RH).....	All	1
12	75-3471-761								Panel—Upper window (LH).....	All	1
	75-3471-762								Panel—Upper window (RH).....	All	1
	64-1697								Installation—Cockpit enclosure window (LH).....	All	NP
	64-1697-1								Installation—Cockpit enclosure window (RH).....	All	NP
13	64-1697-511								Retainer Assembly (LH).....	All	1
	64-1697-512								Retainer Assembly (RH).....	All	1
14	15-8761								Window Assembly—Sliding (LH).....	All	1
	15-8761-1								Window Assembly—Sliding (RH).....	All	1
15	1-22684								Fingerpull—Sliding window.....	All	1
	3-13932-23								Installation—Cockpit sliding window latch (LH).....	All	NP
	3-13932-24								Installation—Cockpit sliding window latch (RH).....	All	NP
16	3-13932-25								Latch Assembly (LH).....	All	1
	3-13932-26								Latch Assembly (RH).....	All	1
17	3-13932-15								Tube.....	All	1
18	114								Knob—Black (Paragon).....	All	1
19	AN505-10-6								Screw—Flat head.....	All	1
	AN936A10								Washer—Lock.....	All	1
20	NAS221-14								Screw—Brazier head Phillips recess.....	All	1
21	21-5618-3								Washer—Serrated adjusting.....	All	1
22	BAC1603-8								Spacer.....	All	1
23	75-3471-605								Retainer—Side window (LH).....	All	1
	75-3471-606								Retainer—Side window (RH).....	All	1
24	21-6240-1								Window Assembly (side).....	All	2
25	3-13930								Tube Assembly—Dehydrator.....	All	6
26	15-8765-16								Tube.....	All	2
27	15-8765-17								Tube.....	All	2
28	15-8765-122								Tube.....	OF	2
29	1-20351								Vent—Dehydrator.....	All	6
30	AN960-10L								Washer—Plain.....	All	12
31	41-4888-14-7								Washer—Rubber.....	All	12

FUSELAGE

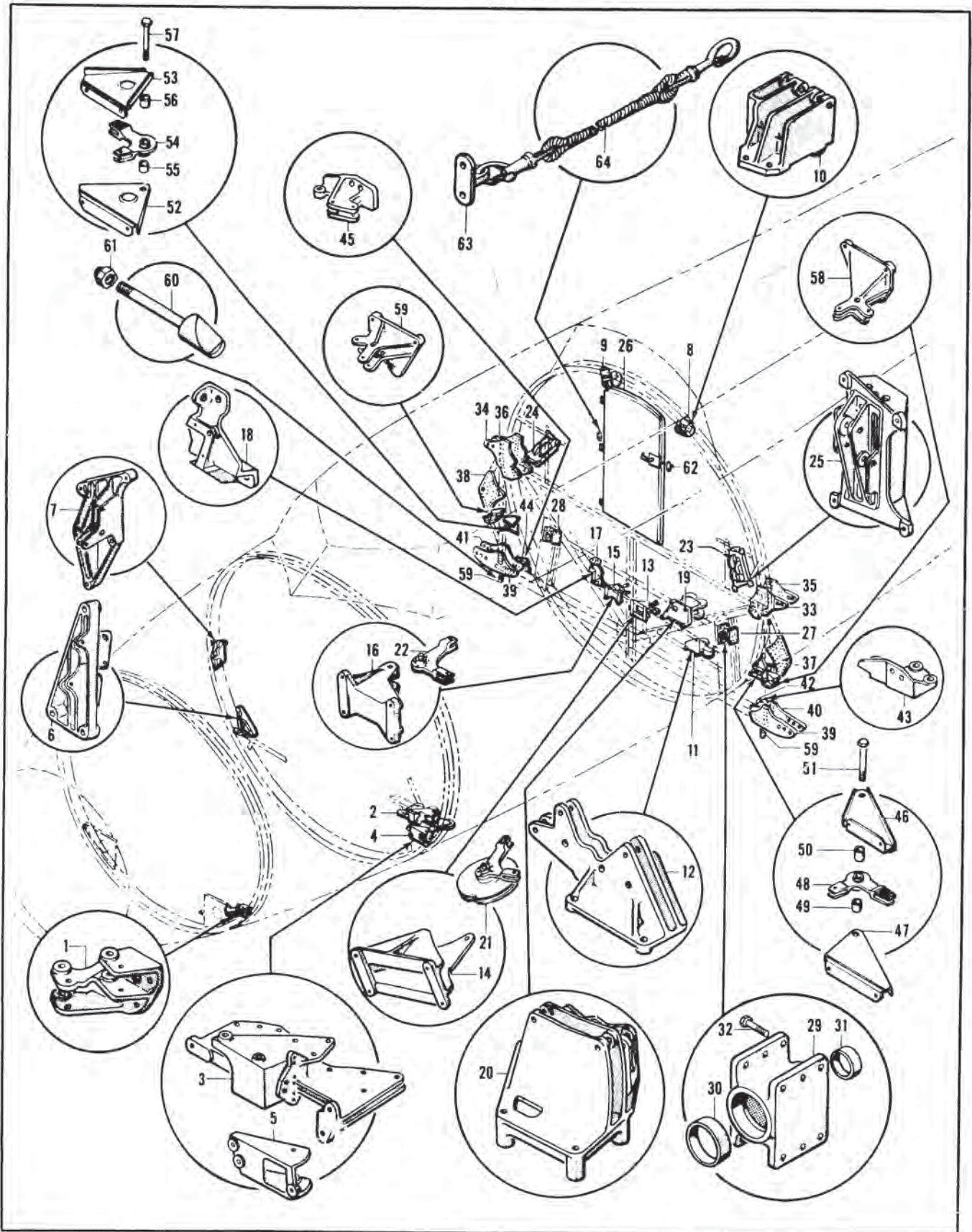


Figure 68—Navigator's and Pilot's Station Bulkhead Fittings

AN 01-20EG-4

FUSELAGE

Navigators and Pilots Station Bulkhead Fittings

Figure & Index No.	Part Number	1 2 3 4 5 6 7	Nomenclature	Usage Code	Units Per Assy.
			Navigators and Pilots Station Bulkhead Fittings		
	55-7330		Fuselage Assembly—Forward section (see fig. 71)	All	Ref
	12-842		Bulkhead Assembly—Station 2	All	1
	9-5887		Installation—Bomb release bracket	HA	NP
68-1	9-5883		Bracket—Bomb release	HA	1
	15-7993-108		Bulkhead Assembly—Station 3	All	1
	15-11622		Installation—Bomb release bracket	HA	NP
2	15-11622-1		Bracket Assembly	HA	1
3	15-11178		Bracket—Bomb release	HA	1
4	15-11622-2		Bracket Assembly	HA	1
5	9-5897		Bracket—Bomb release	HA	1
	9-5640		Installation—Aileron servo bracket	All	NP
6	9-5640-1		Bracket Assembly—Aileron servo	All	1
	9-5642		Installation—Aileron servo bracket	All	NP
7	9-5642-1		Bracket Assembly—Aileron servo	All	1
	85-3424-767		Bulkhead Assembly—Station 4	N	1
	85-3424-776		Bulkhead Assembly—Station 4	UF	1
	85-3424-772		Bulkhead Assembly—Station 4	KJ	1
	9-6611		Installation—Elevator and rudder control bracket (LH)	KJ	NP
	9-6611-1		Installation—Elevator and rudder control bracket (RH)	KJ	NP
8	9-6611-2		Bracket Assembly (LH)	KJ	1
9	9-6611-3		Bracket Assembly (RH)	KJ	1
10	9-6610		Bracket—Elevator and rudder control (LH)	KJ	1
	9-6610-1		Bracket—Elevator and rudder control (RH)	KJ	1
	15-11641		Installation—Bomb control bracket	HA	NP
11	15-11641-1		Bracket Assembly	HA	1
12	15-11634		Bracket—Inboard bomb control	HA	1
13	15-11641-2		Bracket Assembly	HA	1
14	6-14513		Bracket—Inboard bomb control	HA	1
15	15-11641-3		Bracket Assembly	HA	1
16	6-14771		Bracket—Inboard bomb control	HA	1
17	15-11641-4		Bracket Assembly	HA	1
18	9-6143		Bracket—Emergency bomb release	HA	1
19	15-11641-5		Bracket Assembly	HA	1
20	15-11656		Bracket—External bomb control	HA	1
21	6-14528		Control Assembly—Bomb release	HA	1
22	3-12090-6		Crank Assembly—Control	HA	1
	15-11921		Installation—Elevator and rudder control (LH)	KJ	NP
	15-11921-1		Installation—Elevator and rudder control (RH)	KJ	NP
23	15-11921-2		Bracket Assembly (LH)	KJ	1
24	15-11921-3		Bracket Assembly (RH)	KJ	1
25	15-11920-4		Bracket—Elevator and rudder control (LH)	KJ	1
	15-11920-5		Bracket—Elevator and rudder control (RH)	KJ	1
26	15-7372		Installation—Bulkhead door station 4 (see fig. 70)	All	NP
	55-4100		Installation—Bomb door control support (LH)	All	NP
	55-4100-1		Installation—Bomb door control support (RH)	All	NP
27	3-7838		Support Assembly (LH)	All	1
28	3-7838-1		Support Assembly (RH)	All	1
29	3-7838-2		Support (LH)	All	1
	3-7838-3		Support (RH)	All	1
30	07196		Cup (Timken)	All	1
31	A4138		Cup (Timken)	All	1
32	AN3-6A		Bolt—Aircraft	All	1
	AN365-1032		Nut—Self-locking	All	12
	75-3441-650		Installation—Station 4 front stub spar (LH)	All	12
	75-3441-651		Installation—Station 4 front stub spar (RH)	All	NP
33	46-3851-401		Terminal—Upper station 4 (LH forward)	All	1
34	46-3851-400		Terminal—Upper station 4 (RH forward)	All	1
35	6-3851		Terminal—Upper station 4 (LH aft)	All	1
36	6-3851-1		Terminal—Upper station 4 (RH aft)	All	1
37	6-3850-8		Fitting Assembly—Shear terminal	All	1
38	6-3850-9		Fitting Assembly—Shear terminal	All	1
39	46-3852		Terminal—Lower forward	All	1
40	56-3852-500		Terminal—Lower station 4 (LH aft)	All	1
41	56-3852-501		Terminal—Lower station 4 (RH aft)	All	1
	6-14550		Installation—Bomb door control bracket (LH)	HA	NP
42	6-14550-1		Bracket Assembly	HA	1
43	6-14533		Bracket—Bomb door control	HA	1
	6-14557		Installation—Bomb door control bracket (RH)	HA	NP
44	6-14557-1		Bracket Assembly	HA	1
45	6-14522		Bracket—Bomb door control	HA	1
	57-992		Installation—Outboard bomb control bracket (LH)	HA	NP
46	3-7366		Bracket Assembly—Outboard bomb control	HA	1
47	3-7366-1		Bracket Assembly—Outboard bomb control	HA	1
48	3-12090-6		Crank Assembly—Control	HA	1
49	BAC1604-34		Spacer—1-4 bolt	HA	1
50	BAC1604-31		Spacer—1-4 bolt	HA	1
51	AN4-22		Bolt—Aircraft	HA	1
	AN310-4		Nut—Aircraft castle	HA	1
	57-992-500		Installation—Outboard bomb control bracket (RH)	HA	NP
52	21-9064		Bracket Assembly—Outboard bomb control	HA	1
53	21-9064-1		Bracket Assembly—Outboard bomb control	HA	1
54	3-12090-6		Crank Assembly—Control	HA	1
55	BAC1604-34		Spacer—1-4 bolt	HA	1
56	BAC1604-31		Spacer—1-4 bolt	HA	1
57	AN4-22		Bolt—Aircraft	HA	1
	AN310-4		Nut—Aircraft castle	HA	1
	6-14790		Installation—External bomb control bracket (LH)	HA	NP
	6-14790-1		Installation—External bomb control bracket (RH)	HA	NP
	6-14790-2		Bracket Assembly (LH)	HA	1
	6-14790-3		Bracket Assembly (RH)	HA	1
58	9-6134		Bracket—External bomb control (LH)	HA	1
59	9-6134-1		Bracket—External bomb control (RH)	HA	1
60	51-7		Cone—Jacking	All	1
61	AN365-820		Nut—Self-locking	All	1
62	21-7484		Lug—Guard rail	All	1
63	21-7484-2		Lug—Guard rail	All	1
	55-7311		Installation—Equipment	All	NP
64	3-7194-7		Rope Assembly—Guard rail	All	2
	50-75		Snap—Swivel harness (Covert)	All	2

FUSELAGE

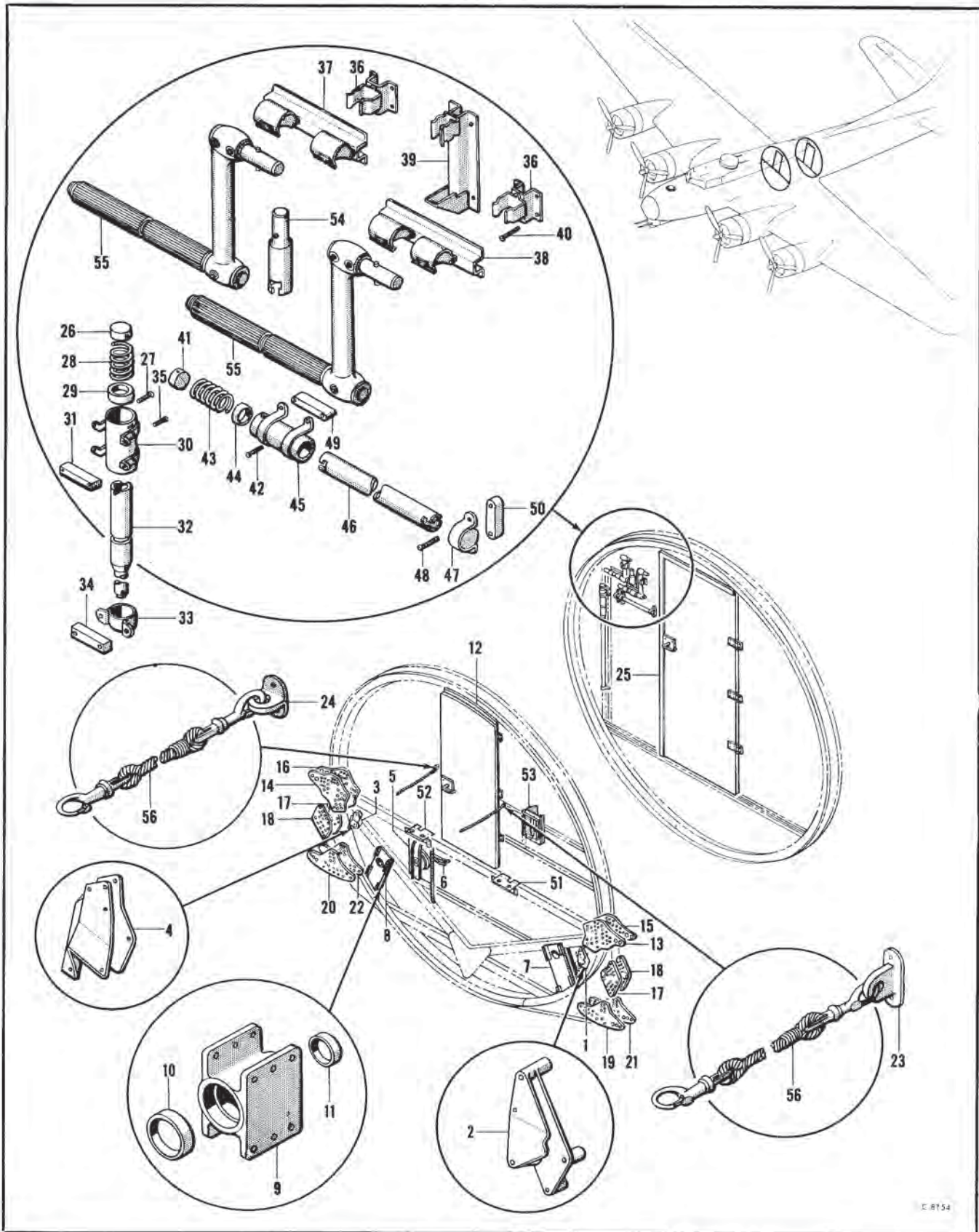


Figure 69—Radio Compartment Bulkhead Fittings

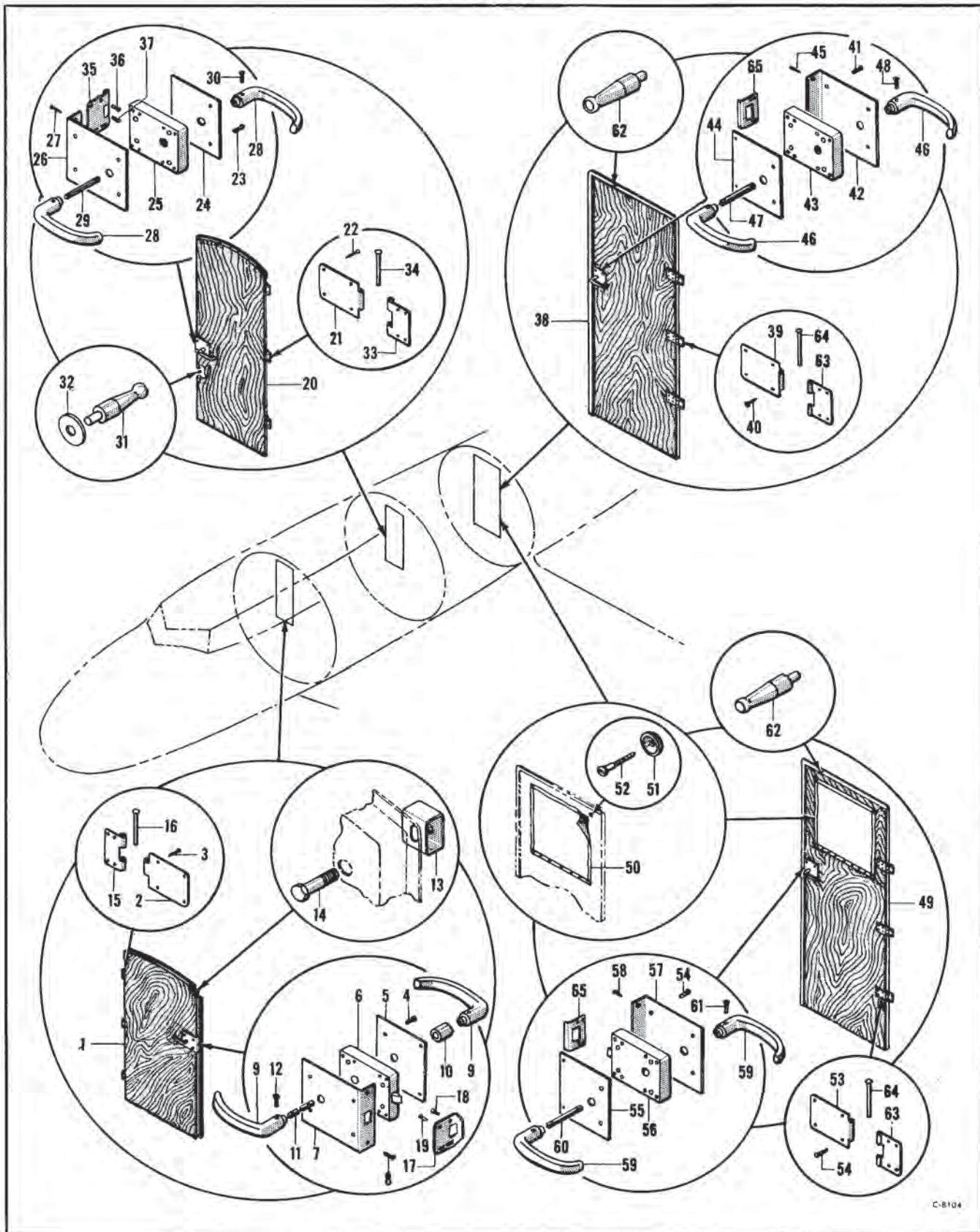
AN 01-20EG-4

FUSELAGE

Radio Compartment Bulkhead Fittings

Figure & Index No.	Part Number	1	2	3	4	5	6	7	Nomenclature	Usage Code	Units Per Assy.	
		Radio Compartment Bulkhead Fittings										
		Fuselage Assembly—Forward section (see fig. 71)									All	Ref
		Bulkhead Assembly—Station 5									All	1
		Installation—Cabin heat control bracket									XM	NP
69-1	55-7330	Bracket Assembly									XM	1
2	95-3425	Bracket—Cabin heat control									XM	1
	9-7312	Installation—Cabin heat control bracket									XM	NP
	9-7312-1	Bracket Assembly									XM	1
	9-7266	Bracket—Cabin heat control									XM	1
3	9-7281	Installation—Cabin heat control bracket									XM	NP
4	9-7281-1	Bracket Assembly									XM	1
	9-7280	Bracket—Cabin heat control									XM	1
5	15-13012	Installation—Cabin heat support (see fig. 144)									All	NP
6	15-13013	Installation—Cabin heat support (see fig. 144)									All	NP
	49-2002	Installation—Bomb door control support (LH)									All	NP
	49-2002-1	Installation—Bomb door control support (RH)									All	NP
7	49-2002-415	Support Assembly (LH)									All	1
8	49-2002-416	Support Assembly (RH)									All	1
	3-7838-3	Support Assembly (LH)									All	1
	3-7838-4	Support Assembly (RH)									All	1
9	3-7838-7	Support (LH)									All	1
	3-7838-6	Support (RH)									All	1
10	O7196	Cup (Timken)									All	1
11	A4138	Cup (Timken)									All	1
12	15-7372-1	Installation—Bulkhead 5 door (see fig. 70)									All	NP
	75-3440	Installation—Station 5 rear stub spar terminal (LH)									All	NP
	75-3440-1	Installation—Station 5 rear stub spar terminal (RH)									All	NP
13	6-3854-1	Terminal—Upper station 5 (LH forward)									All	1
14	6-3854	Terminal—Upper station 5 (RH forward)									All	1
15	46-3854-400	Terminal—Station 5 upper rear (LH)									All	1
16	46-3854-401	Terminal—Station 5 upper rear (RH)									All	1
17	6-3856-9	Fitting Assembly—Shear terminal									All	1
18	6-3856-10	Fitting Assembly—Shear terminal									All	1
19	46-3855-401	Terminal—Station 5 lower front (LH)									All	1
20	46-3855-400	Terminal—Station 5 lower front (RH)									All	1
21	56-3855-500	Terminal—Station 5 lower rear (LH)									N	1
	56-3855-502	Terminal									WF	1
22	56-3855-501	Terminal—Station 5 lower rear (RH)									N	1
	56-3855-502	Terminal									WF	1
23	21-7512	Lug—Guard rail									All	1
24	21-7484	Lug—Guard rail									All	1
	15-7015	Bulkhead Assembly—Station 6									All	1
25	15-7372-2	Installation—Bulkhead 6 door (see fig. 70)									All	NP
	6-8988	Installation—Starter extension support									All	NP
	6-8988-1	Bracket Assembly									All	1
26	41-7942	Cover—Crank extension tube									All	1
27	AN515-8-24	Screw—Round head									All	1
	AN365-832	Nut—Self-locking									All	1
28	41-7944	Spring—Compression									All	1
29	41-7946	Disc—Crank extension									All	1
30	41-7943	Tube Assembly—Crank extension									All	1
31	6-8988-3	Block									All	1
32	3-12408	Extension Assembly—Starter crank									All	1
33	41-7945	Cup Assembly—Crank extension									All	1
34	6-8988-4	Block									All	1
35	AN515-8-20	Screw—Round head									All	6
	AN365-832	Nut—Self-locking									All	6
	14-1692-9	Installation—Hand crank and extension support									All	NP
36	14-1692-4	Clip Assembly									All	2
37	14-1692-1	Clip Assembly									All	1
38	14-1692-12	Clip Assembly									XM	1
39	14-1692-13	Support Assembly—Crank extension									XM	1
40	AN520-10R8	Screw—Round head									All	24
	AN365-1032	Nut—Self-locking									All	24
	6-8988-1	Bracket Assembly—Extension support									All	1
41	41-9742	Cover									All	1
42	AN515-8-24	Screw—Round head									All	1
	AN365-832	Nut—Self-locking									All	1
43	41-7944	Spring—Compression									All	1
44	41-7946	Disc—Crank extension									All	1
45	41-7943	Tube Assembly—Crank extension									All	1
46	21-9586	Extension—Crank									All	1
47	41-7945	Cup Assembly—Crank extension									All	1
48	AN515-8R20	Screw—Round head									All	1
	AN365-832	Nut—Self-locking									All	6
49	14-1692-7	Block									All	1
50	14-1692-8	Block									All	1
	6-14134	Installation—Fuel valve bracket (LH) (see fig. 21)									All	NP
	6-14134-1	Installation—Fuel valve bracket (RH) (see fig. 21)									All	NP
51	6-14136	Bracket Assembly—Fuel valve (LH)									D	1
	6-14136-3	Bracket Assembly (LH)									EE	1
52	6-14136-1	Bracket Assembly—Fuel valve (RH)									D	1
	6-14136-4	Bracket Assembly (RH)									EE	1
	9-7996	Installation—D-5 fuel valve (see fig. 21)									PJ	NP
53	9-7996-1	Bracket									All	1
	55-7311	Installation—Equipment									All	NP
54	3-23558	Extension Assembly—Starter crank									All	1
55	AN4098-1	Crank—Inertia starter hand GFE									All	2
56	3-7194-7	Rope Assembly—Guard rail									All	2
	50-75	Snap—Swivel harness (Covert)									All	2

FUSELAGE



C-8104

Figure 70—Forward Section Bulkhead Doors

AN 01-20EG-4

FUSELAGE

Forward Section Bulkhead Doors

Figure & Index No.	Part Number	1 2 3 4 5 6 7	Nomenclature	Usage Code	Units Per Assy.
			Forward Section Bulkhead Doors		
	55-7330		Fuselage Assembly—Forward section (see fig. 71)	All	Ref
	85-3424-767		Bulkhead Assembly—Station 4 (see fig. 68)	N	Ref
	85-3424-776		Bulkhead Assembly—Station 4 (see fig. 68)	UF	Ref
	85-3424-772		Bulkhead Assembly—Station 4 (see fig. 68)	KJ	Ref
	15-7372		Installation—Station 4 bulkhead door	All	NP
70-1	15-7372-4		Door Assembly	All	1
2	1-18266-2		Hinge—Bulkhead door half	All	3
3	BAC1448-10-14		Screw—Oval head	EA	12
4	NAS222DD-9		Screw—Brazier head	All	8
5	15-7372-22		Plate—Latch	All	1
6	54B		Latch Assembly (Rite Hardware Co.)	All	1
7	15-7372-23		Plate—Latch	All	1
8	BAC1449-8-8		Screw—Flat head	All	2
9	380B		Lever—Door latch (Rite Hardware Co.)	All	2
10	1-22694		Spacer—Special	All	1
11	51-144-3		Spindle—Latch	All	1
12	AN505-6-8		Screw—Flat head	All	2
13	3-19058		Stud Assembly—Door catch	AQ	1
	P101		Stud (Tinnerman)	AQ	1
14	AN4-13A		Bolt—Aircraft	AQ	1
	AN970-4		Washer—Flat	AQ	1
	AN365-428		Nut—Self-locking	AQ	1
15	1-18266-1		Hinge—Bulkhead door half	All	3
16	1-18266-3		Pin—Loose	All	3
	41-9466		Installation—Door keeper	All	NP
17	41-9466-2		Keeper	All	1
18	AN505-6-6		Screw—Flat head	All	2
	AN365-632		Nut—Self-locking	All	2
19	AN526-632R6		Screw—Truss head	All	2
	AN365-632		Nut—Self-locking	All	2
	95-3425		Bulkhead Assembly—Station 5 (see fig. 69)	All	Ref
	15-7372-1		Installation—Station 5 bulkhead door	All	NP
20	15-7372-5		Door Assembly	All	1
21	1-18266-2		Hinge—Bulkhead door half	All	3
22	BAC1448-10-14		Screw—Oval head	EA	12
23	NAS222DD-9		Screw—Brazier head	All	8
24	15-7372-22		Plate—Latch	All	1
25	54B		Latch Assembly (Rite Hardware Co.)	All	1
26	15-7372-23		Plate—Latch	All	1
27	BAC1449-8-8		Screw—Flat head	All	2
28	380B		Lever—Door latch (Rite Hardware Co.)	All	2
29	51-144-1		Spindle—Latch	All	1
30	AN506-6-8		Screw—Self-tapping flat head	All	2
31	41-353-15-8		Pin—Door catch	All	1
32	940-11		Washer—Burr	All	1
33	1-18266-1		Hinge—Bulkhead door half	All	3
34	1-18266-3		Pin—Loose	All	3
	41-9466		Installation—Door keeper	All	NP
35	41-9466-2		Keeper	All	1
36	AN505-6-6		Screw—Flat head	All	2
	AN365-632		Nut—Self-locking	All	2
37	AN525-632R6		Screw—Truss head	All	2
	AN365-632		Nut—Self-locking	All	2
	15-7015		Bulkhead Assembly—Station 6 forward (see fig. 69)	All	Ref
	15-7372-2		Installation—Station 6 bulkhead door	All	NP
38	15-7372-6		Door Assembly	WG	1
39	1-18266-2		Hinge—Bulkhead door half	WG	3
40	BAC1448-10-14		Screw—Oval head	WG	12
41	BAC1470-428-7D		Screw—Button head	WG	8
42	15-7372-22		Plate—Latch	WG	1
43	54B		Latch Assembly (Rite Hardware Co.)	WG	1
44	15-7372-23		Plate—Latch	WG	1
45	BAC1449-8-8		Screw—Flat head	WG	2
46	380B		Lever—Door latch (Rite Hardware Co.)	WG	2
47	51-144-1		Spindle	WG	1
48	AN506-6-8		Screw—Self-tapping flat head	WG	2
49	15-7372-71		Door Assembly	WG	1
50	15-7372-84		Curtain Assembly	WG	1
51	AN227-8B		Fastener—Snap	WG	2
52	AN550-6R6		Screw—Flat head wood	WG	2
53	1-18266-2		Hinge—Bulkhead door half	WG	3
54	NAS222DD-9		Screw—Brazier head	WG	12
55	15-7372-22		Plate—Latch	WG	1
56	54B		Latch Assembly (Rite Hardware Co.)	WG	1
57	15-7372-23		Plate—Latch	WG	1
58	BAC1449-8-8		Screw—Flat head	WG	2
59	380B		Lever—Door latch (Rite Hardware Co.)	WG	2
60	51-144-1		Spindle—Latch	WG	1
61	AN506-6-8		Screw—Self-tapping flat head	WG	2
62	41-353-20-7		Pin—Door catch	All	1
63	1-18266-1		Hinge—Bulkhead door half	All	3
64	1-18266-3		Pin—Loose	All	3
	1-20555		Installation—Door keeper	All	NP
65	1-20555-1		Keeper	All	1

FUSELAGE

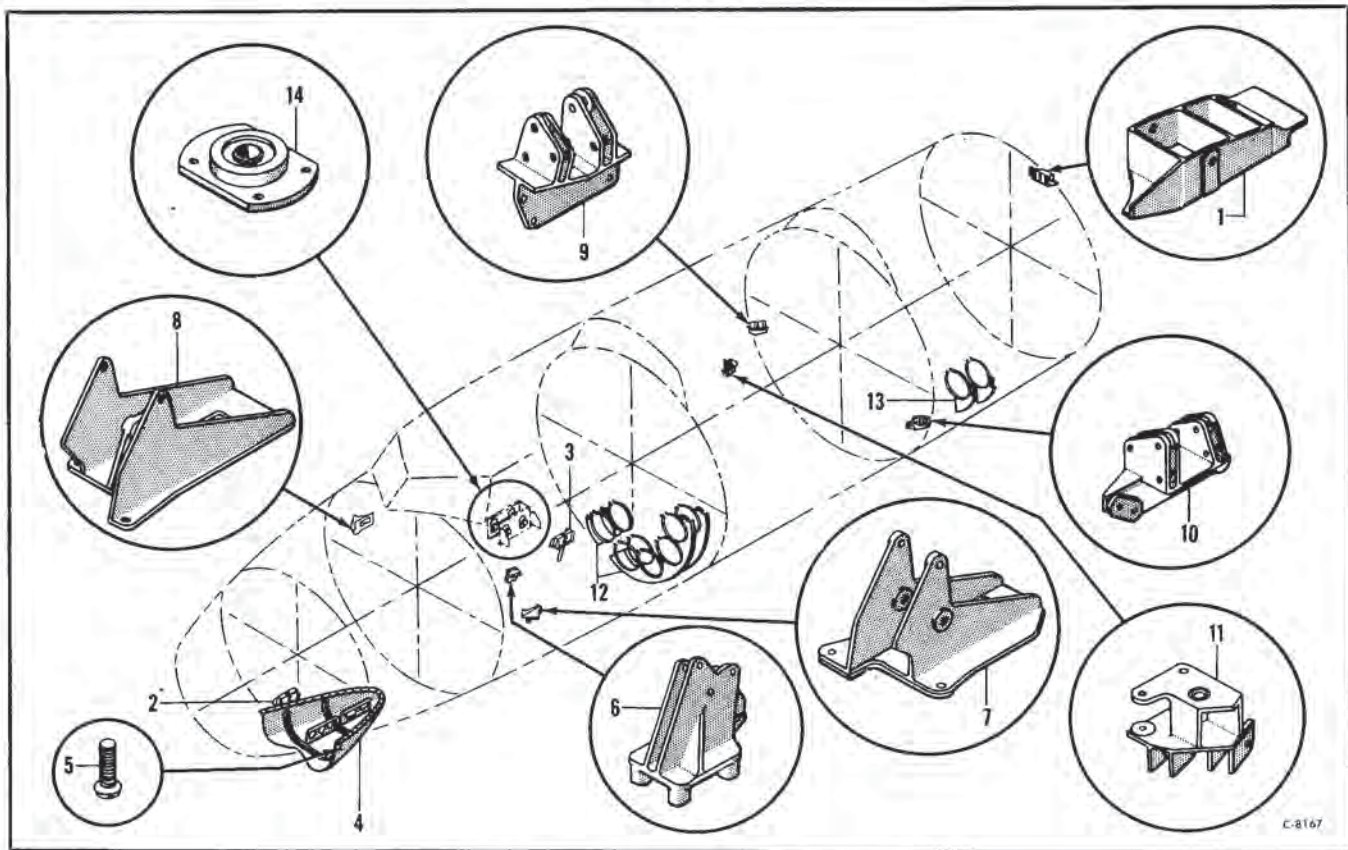


Figure 71—Forward Section Miscellaneous Fittings

Forward Section Miscellaneous Fittings

Figure & Index No.	Part Number	1 2 3 4 5 6 7	Nomenclature	Usage Code	Units Per Assy.
			Forward Section Miscellaneous Fittings		
			Fuselage Assembly	All	1
			Installation—Control cables bracket (LH)	All	NP
			Installation—Control cables bracket (RH)	All	NP
71-1	3-13454		Bracket—Pulley (LH)	All	1
	3-13454-1		Bracket—Pulley (RH)	All	1
	55-7330		Fuselage Assembly—Forward section	All	1
2	9-7955		Installation—Compass antenna mast (see fig. 127)	All	NP
3	9-7956		Installation—Compass antenna mast (see fig. 127)	All	NP
	12-848		Installation—Chin turret fairing	All	NP
4	12-848-9		Fairing Assembly	All	1
5	AN526-1032R10		Screw—Truss head	All	20
	55-5685		Installation—Control cables bracket (LH)	All	NP
	55-5685-407		Installation—Control cables bracket (RH)	All	NP
	9-6469		Installation—Emergency bomb release bracket (LH)	HA	NP
	9-6469-1		Bracket Assembly	HA	1
6	9-6291		Bracket—Emergency bomb release	All	1
	15-10960		Installation—Aileron control bracket LH	All	NP
	15-10960-1		Bracket Assembly	All	1
7	9-5622		Bracket—Aileron control LH	All	1
	15-10973		Installation—Aileron control bracket RH	All	NP
	15-10973-1		Bracket Assembly	All	1
8	9-5625		Bracket—Aileron control RH	All	1
	6-15541		Installation—Cabin heat control	LM	NP
	6-15541-2		Bracket Assembly	LM	1
9	9-7284-2		Bracket—Cabin heat control	LM	1
	9-7306		Installation—Heat control bracket	LM	NP
	9-7306-1		Bracket Assembly	LM	1
10	9-7287		Bracket—Cabin heat control	LM	1
	9-6608		Installation—Elevator & rudder control bracket (LH)	KJ	NP
	9-6608-1		Installation—Elevator & rudder control bracket (RH)	KJ	NP
	9-6608-2		Bracket Assembly (LH)	KJ	1
	9-6608-3		Bracket Assembly (RH)	KJ	1
11	9-6607		Bracket—Elevator and rudder control	KJ	1
	9-6607-2		Bracket—Elevator and rudder control	KJ	1
12	15-7373-25		Installation—Oxygen cylinder bracket (see fig. 134)	All	NP
13	15-7577		Installation—Oxygen cylinder bracket (see fig. 134)	All	NP
	8-1526		Installation—Vacuum & heat controls support	All	NP
	8-1526-12		Channel Assembly	RA	1
	8-1526-13		Channel Assembly	RA	1
	8-1526-17		Channel Assembly	SJ	1
	8-1526-18		Channel Assembly	SJ	1
14	41-2476		Housing Assembly—Bearing	EA	2
	1-30187		Bearing—Phenolic	LH	2

FUSELAGE

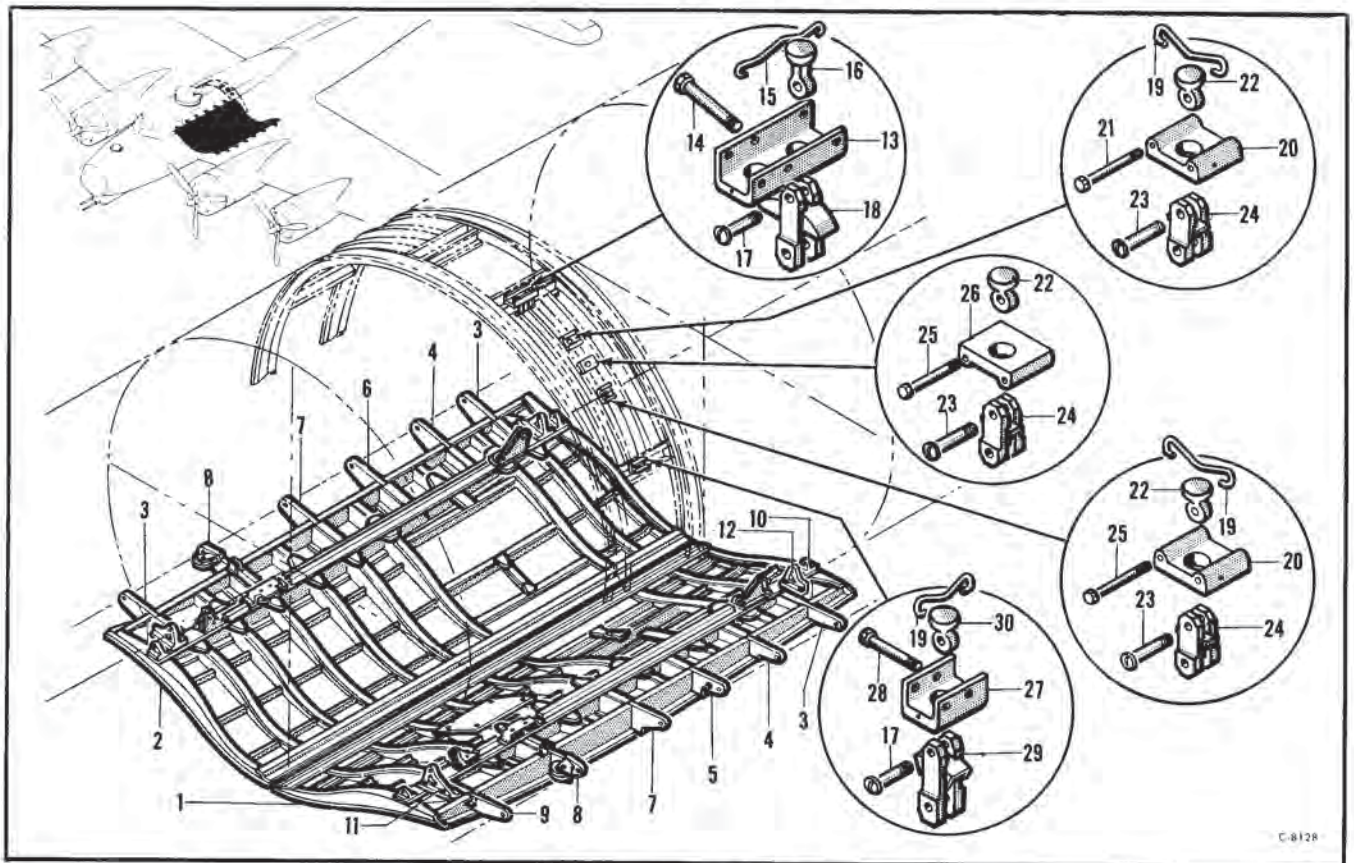


Figure 72—Bomb Doors and Bomb Rail Support

Bomb Doors and Bomb Rail Support

Figure & Index No.	Part Number	1 2 3 4 5 6 7	Nomenclature	Usage Code	Units Per Assy.
	55-7330		Bomb Doors and Bomb Rail Support		
72-1	75-4122		Fuselage Assembly—Forward section (see fig. 71)	All	Ref
2	75-4122-1		Door Assembly—Bomb (LH)	All	1
3	3-7941		Door Assembly—Bomb (RH)	All	1
4	3-7942		Hinge Assembly—Bomb door	All	2
5	3-7942-10		Hinge Assembly—Bomb door	All	1
6	3-7942-1		Hinge Assembly—Bomb door (LH)	All	1
7	3-7942-2		Hinge Assembly—Bomb door (RH)	All	1
8	3-7943		Hinge Assembly—Bomb door	All	1
9	3-7941-6		Hinge Assembly—Bomb door (LH)	All	1
10	AN200K4		Bearing—Heavy duty	All	1
11	41-9998		Terminal—Bomb door check	All	2
	3-11770		Fitting Assembly—Bomb door rear (LH)	All	1
	3-11770-1		Fitting Assembly—Bomb door rear (RH)	All	1
12	3-11771		Fitting Assembly—Bomb door front (LH)	All	1
	3-11771-1		Fitting Assembly—Bomb door front (RH)	All	1
	75-3469		Installation—Bomb rail support	All	NP
13	51-174-2		Socket—Bomb hoist pulley bracket (LH)	All	1
	51-174-1		Socket—Bomb hoist pulley bracket (RH)	All	1
14	AN4-21A		Bolt—Aircraft	All	5
	AN4-22A		Bolt—Aircraft	All	1
15	41-4196		Spring—Universal hold down	All	2
16	41-4188-1		Universal—Bomb hoist pulley bracket	All	4
17	AN25-20		Bolt—Clevis	All	6
18	41-9798		Bracket Assembly—Bomb hoist 3 1-2 in. pulley	All	4
19	41-4190		Spring—Universal hold down	All	6
20	41-9755		Socket—Universal pulley bracket	All	4
21	AN3-27A		Bolt—Aircraft	All	2
22	41-4188		Universal—Bomb hoist pulley bracket	PA	6
	41-4188		Universal—Bomb hoist pulley bracket	KJ	2
	41-4188-5		Universal—Bomb hoist pulley bracket	KJ	4
23	AN24-17		Bolt—Clevis	All	6
24	41-9797		Bracket Assembly—Bomb hoist 2 in. pulley	All	6
25	AN3-25A		Bolt—Aircraft	All	8
26	41-9755-1		Socket—Universal pulley bracket	All	2
27	51-172		Socket—Bomb hoist pulley bracket	All	2
28	AN4-22A		Bolt—Aircraft	All	4
29	41-9798-1		Bracket Assembly—Bomb hoist 3 1-2 in. pulley	All	2
30	41-4188-2		Universal—Bomb hoist pulley bracket	All	2

FUSELAGE

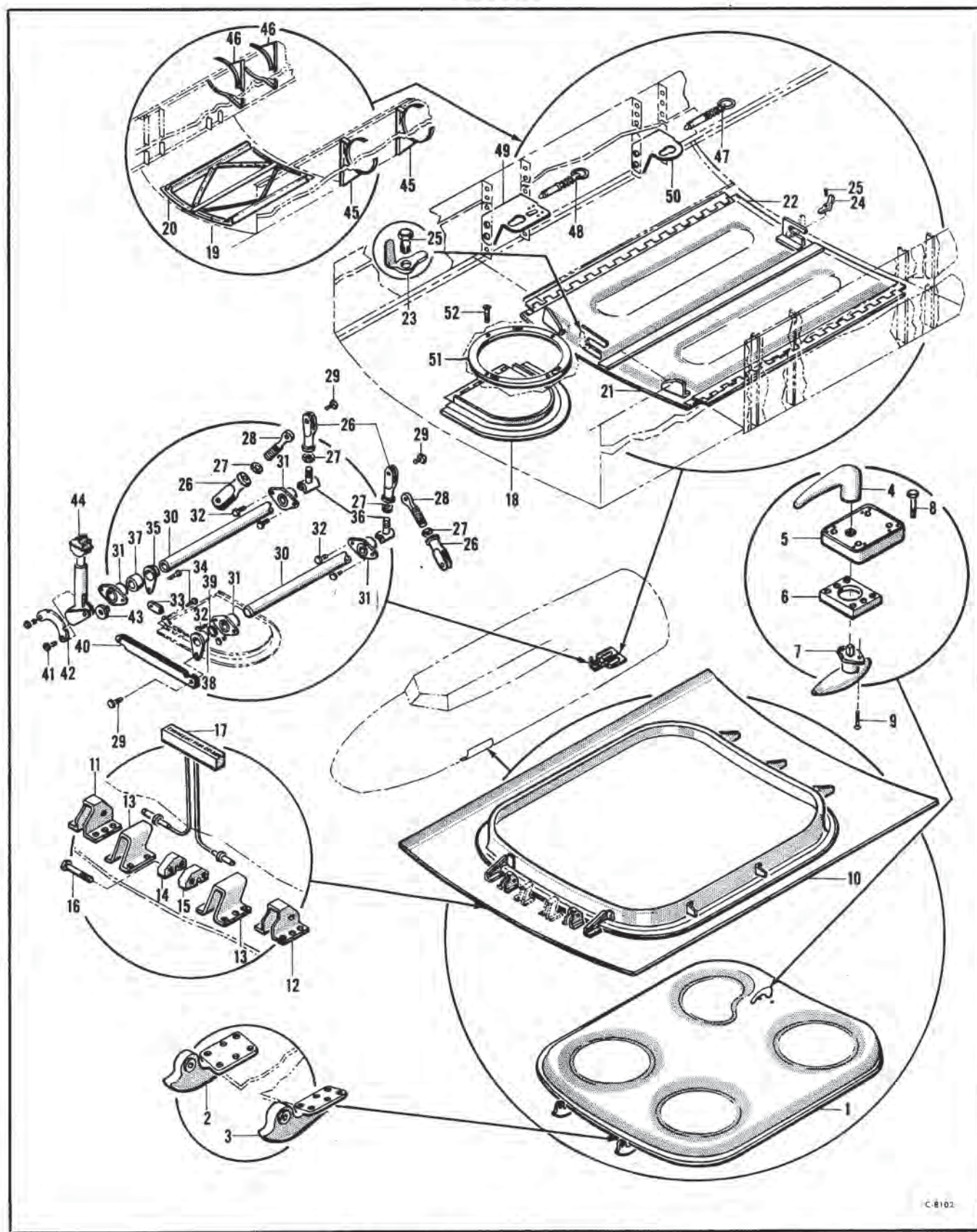


Figure 73—Forward Entrance Door and Camera Door

AN 01-20EG-4

FUSELAGE

Forward Entrance Door and Camera Door

Figure & Index No.	Part Number	1	2	3	4	5	6	7	Nomenclature	Usage Code	Units Per Assy.
									Forward Entrance Door and Camera Door		
	55-7330								Fuselage Assembly—Forward section (see fig. 71)	All	Ref
	75-3468								Installation—Forward entrance door	All	NP
73-1	75-3468-600								Door Assembly	EC	1
	75-3468-621								Door Assembly	PO	1
2	3-6475-3								Hinge Assembly—Cabin door (LH)	All	1
	3-6475-7								Hinge	GB	1
	BAC344-4-439								Bushing	GB	1
	3-6475-3								Hinge	PL	1
3	3-6475-2								Hinge Assembly—Cabin door (RH)	All	1
	3-6475-6								Hinge	GB	1
	BAC344-4-439								Bushing	GB	1
	3-6475-2								Hinge	PL	1
4	1-17640								Lever—Door latch	CB	1
	380E								Lever (Rite Hardware Co.)	GL	1
	UB1								Handle Assembly (Rite Hardware Co.)	PO	1
5	54-1A								Latch Assembly (Rite Hardware Co.)	All	1
6	75-3468-605								Block	All	1
7	25-1H								Knob Assembly (Rite Hardware Co.)	EC	1
	25-1N								Knob Assembly (Rite Hardware Co.)	PO	1
8	AN510-10R28								Screw—Flat head	E	2
	AN365-1032								Nut—Self-locking	All	2
9	AN3-10								Bolt—Aircraft	All	2
10	75-3468-620								Frame Assembly	All	1
11	41-9992								Hinge Assembly—Forward entrance door	All	1
	21-1022-8-5								Bushing—Serrated	All	1
12	41-9992-1								Hinge Assembly—Forward entrance door	All	2
	21-1022-8-5								Bushing—Serrated	All	1
13	3-27814								Channel Assembly—Forward door	All	2
	1-20521								Installation—Door release fairlead	All	NP
14	1-19001-49								Fairlead	All	2
15	3-27816								Fairlead	XM	1
16	AN3-17A								Bolt—Aircraft	All	2
	AN960-10								Washer—Plain	All	2
	AN365-1032								Nut—Self-locking	All	2
17	1-18557								Handle Assembly—Door release	All	1
	75-3577								Installation—Radio and gunners floor (see fig. 66)	All	NP
	75-3686								Installation—Camera and finder door	All	NP
18	75-3686-17								Door Assembly—View finder	All	1
19	75-3686-522								Door Assembly—LH camera	Y	1
20	75-3686-523								Door Assembly—RH camera	Y	1
21	15-11929								Door Assembly—Camera (LH)	WG	1
22	15-11929-1								Door Assembly—Camera (RH)	WG	1
23	1-20382								Latch—Camera door	All	1
24	1-20382-1								Latch—Camera door	All	1
25	AN3-5								Bolt—Aircraft	All	4
26	AN486-4								Clevis—Rod end adjusting	All	4
27	AN316-4R								Nut—Aircraft check	All	4
28	1-17507								Stud—Camera door control	All	2
29	AN3-4								Bolt—Aircraft	All	4
	AN310-3								Nut—Aircraft castle	All	4
30	1-18415								Tube Assembly—Torque	All	2
31	41-9779								Bearing—Torque tube	All	4
32	AN3-3A								Bolt—Aircraft	All	6
	AN365-1032								Nut—Self-locking	All	6
33	21-7008-5								Link—Camera door control	All	1
34	AN23-8								Bolt—Clevis	All	2
	AN960-10								Washer—Plain	All	2
	AN320-3								Nut—Aircraft shear	All	2
35	21-7007-6								Crank Assembly—Camera door control	All	1
36	AN386-1-7								Pin—Threaded taper	All	2
	AN975-3								Washer—Taper pin	All	2
	AN364-1032								Nut—Self-locking	All	1
37	51-226-32								Spacer—Tube	All	2
38	21-7007-5								Crank Assembly—Camera door control	All	1
39	51-226-24								Spacer—Tube	All	1
40	21-7030-1								Link—Camera door control	All	1
41	NAS224-13								Screw—Brazier head Phillips head	All	2
	AN365-1032								Nut—Self-locking	All	2
42	41-5456								Sector—Camera door control	All	1
43	41-5580								Spacer—Camera door control	All	2
44	3-9799-9								Lever Assembly—Camera door control	All	1
45	15-7588-1								Installation—Oxygen cylinder cradle (see fig. 134)	All	NP
46	15-7588-2								Installation—Oxygen cylinder cradle (see fig. 134)	All	NP
	75-3686-649								Beam Assembly—LH	All	1
	75-3686-650								Beam Assembly—RH	All	1
47	3-6738-5								Bolt Assembly—Self-locking	All	2
48	3-6738-6								Bolt Assembly—Self-locking	All	2
49	3-7022-1								Bracket Assembly—Camera support (RH)	All	1
	3-7022								Bracket Assembly—Camera support (LH)	All	1
	21-7021								Spring—Camera mount lock	All	1
	21-7020								Trigger—Camera mount lock	All	1
50	21-7013-1								Bracket—Camera support (RH)	All	1
	21-7013								Bracket—Camera support (LH)	All	1
	75-3686-652								Floor Assembly	All	1
51	AN7006-1								Ring—View finder mounting	All	1
52	AN505-6R8								Screw—Flat head	All	4
	AN505-6R12								Screw—Flat head	All	4

FUSELAGE

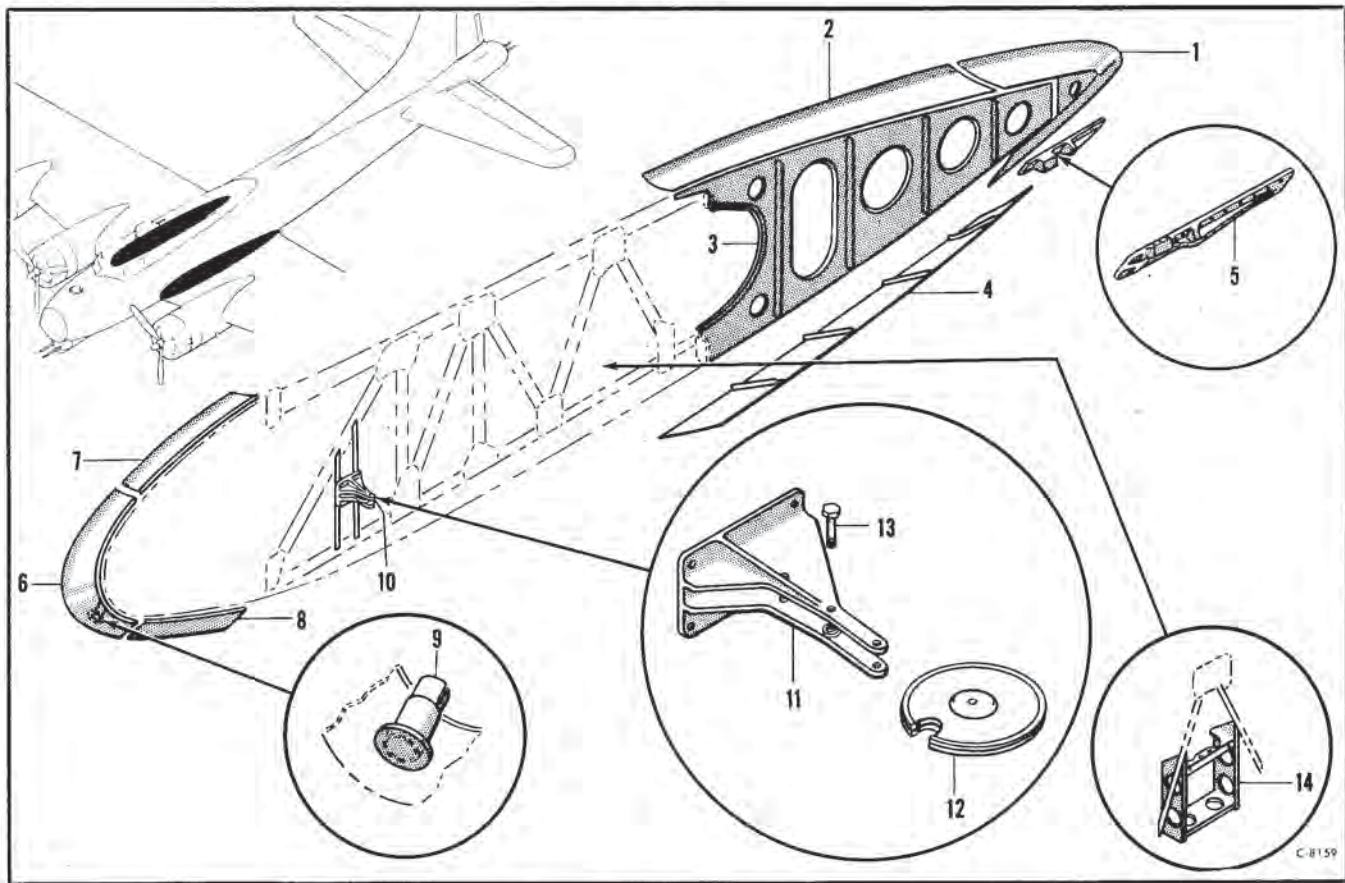


Figure 74—Wing Stub Fillet Fairing and Compression Strut Fittings

Wing Stub Fillet Fairing and Compression Strut Fittings

Figure & Index No.	Part Number	1 2 3 4 5 6 7	Nomenclature	Usage Code	Units Per Assy.
	55-7377		Wing Stub Fillet Fairing and Compression Strut Fittings	All	Ref
	95-3684-806		Fuselage Assembly (see fig. 71)	All	NP
74-1	95-3684-807		Installation—Rear wing fillet fairing (LH)	All	NP
	95-3684-807		Installation—Rear wing fillet fairing (RH)	All	NP
	75-3684-710		Tip Assembly—Fillet (LH)	All	1
	75-3684-711		Tip Assembly—Fillet (RH)	All	1
2	75-3684-634		Fillet—Upper forward (LH)	All	1
	75-3684-635		Fillet—Upper forward (RH)	All	1
3	75-3684-712		Rib—Front (LH)	All	1
	75-3684-713		Rib—Front (RH)	All	1
4	75-3684-676		Fillet Assembly (LH)	All	1
	75-3684-633		Fillet Assembly (RH)	All	1
5	53-12016		Fitting—Compression strut tie (LH)	All	1
	53-12016-1		Fitting—Compression strut tie (RH)	All	1
	55-7330		Fuselage Assembly—Forward section (see fig. 71)	All	Ref
	55-3685		Installation—Front wing fillet fairing (LH)	All	NP
	55-3685-1		Installation—Front wing fillet fairing (RH)	All	NP
6	55-3685-400		Fillet—Leading edge (LH)	All	1
	55-3685-401		Fillet—Leading edge (RH)	All	1
7	55-3685-407		Fillet—Upper (LH)	All	1
	55-3685-408		Fillet—Upper (RH)	All	1
8	55-3685-409		Fillet—Lower (LH)	All	1
	55-3685-410		Fillet—Lower (RH)	All	1
	6-9582		Installation—Thermometer support (LH)	All	NP
	6-9582-1		Installation—Thermometer support (RH)	All	NP
9	6-9582-2		Support Assembly—Weld (LH)	All	1
	6-9582-2		Support Assembly—Weld (RH)	All	1
	85-3445		Installation—Body compression strut (LH)	All	NP
	85-3445-1		Installation—Body compression strut (RH)	All	NP
	9-6105		Installation—External bomb control bracket (LH)	All	NP
	9-6105-1		Installation—External bomb control bracket (RH)	All	NP
10	9-6105-2		Bracket Assembly (LH)	HA	1
	9-6105-3		Bracket Assembly (RH)	HA	1
11	9-6103		Bracket—External bomb control (LH)	HA	1
	9-6103-1		Bracket—External bomb control (RH)	HA	1
12	3-20831		Drum Assembly—Bomb control	HA	1
	AN207D4		Bearing	HA	1
13	AN4-15		Bolt—Aircraft	HA	1
	AN310-4		Nut—Aircraft castle	HA	1
14	55-5785		Installation—Carbon dioxide cylinder support (RH side only)	KI	NP
	55-5785-406		Support Assembly (see fig. 135)	KI	1

FUSELAGE

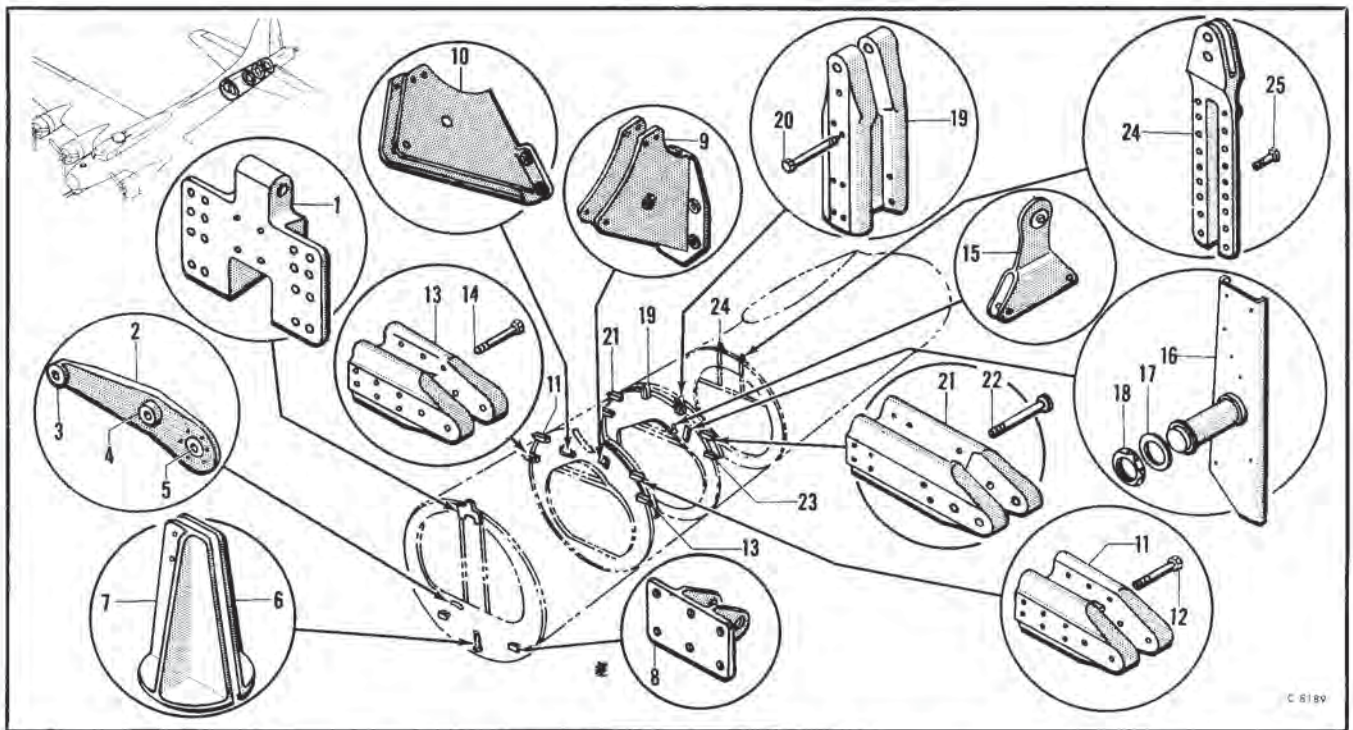
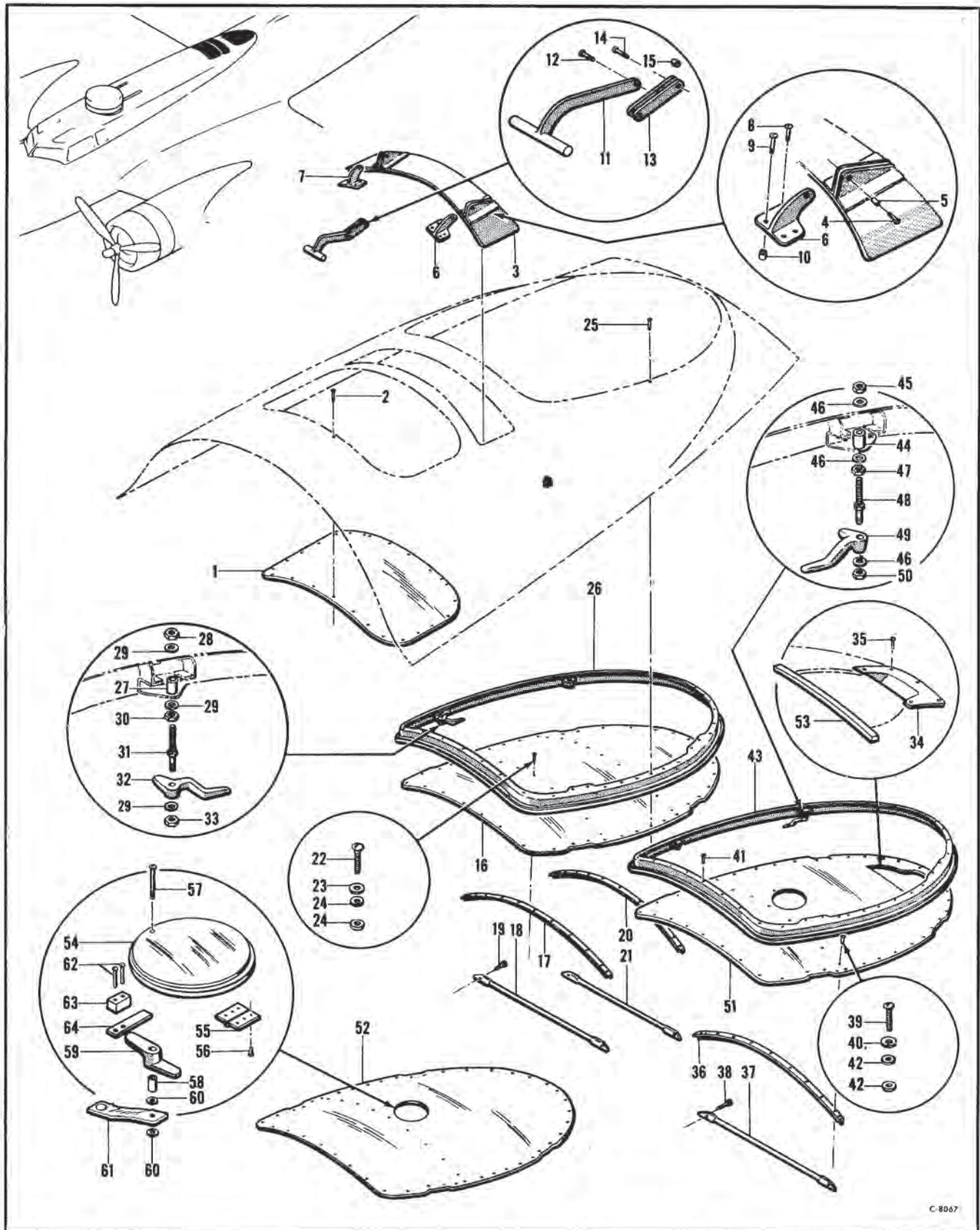


Figure 75—Rear Section Bulkhead Fittings

Rear Section Bulkhead Fittings

Figure & Index No.	Part Number	1	2	3	4	5	6	7	Nomenclature	Usage Code	Units Per Assy.
									Rear Section Bulkhead Fittings.		
	65-7331								Fuselage Assembly—Rear section (see fig. 79)	OA	Ref
	65-7331-2								Fuselage Assembly—Rear section (see fig. 79)	KJ	1
	15-7017-31								Bulkhead Assembly—Station 7	All	1
75-1	9-3582								Fitting Assembly—Tail gear upper	All	1
	7-1507								Installation—Tail wheel lock bracket	All	NP
	49-11993								Lever Assembly—Tail wheel lock	All	1
	49-11993-1								Lever	All	1
2	1-16964								Bushing—Tail wheel lock	All	1
3	BAC285-32S								Bushing	All	1
4	BC4W10								Bearing—Bell crank unit ball (Fafnir)	All	1
5	6-9287								Support—Jacking cone	All	1
6	6-9288								Support—Jacking cone	All	1
7	3-12974								Fitting—Tail gear lower	All	2
8	55-7018								Bulkhead Assembly—Station 8	All	1
	55-7602								Installation—Control brackets	All	NP
	6-11307-17								Bracket Assembly—Rudder servo (LH)	All	1
	6-11307-1								Bracket Assembly—Rudder servo (RH)	All	1
9	6-11595								Bracket—Servo pulley (LH)	All	1
10	6-11588								Bracket—Servo pulley (RH)	All	1
11	6-10122-5								Terminal—Bulkhead station 8 (upper)	All	2
12	NAS56DD32-5A								Bolt—Close tolerance	All	12
13	6-10122-4								Terminal—Bulkhead station 8 (lower)	All	2
	AN960D616								Washer—Plain	All	36
	AN365D624								Nut—Self-locking	All	24
14	NAS56DD34A								Bolt—Close tolerance	All	12
	55-7019-416								Bulkhead Assembly—Station 9	All	1
	15-7603								Installation—Control brackets bulkhead 9	All	NP
	15-7603-6								Bracket Assembly	All	1
15	3-13584								Crank Assembly—Surface lock	All	1
	BC4W10								Bearing—Bell crank unit ball (Fafnir)	All	1
16	3-13618								Channel Assembly—Elevator stop	All	1
17	1-18652								Washer—Control surface lock	All	1
18	21-6758								Nut—1 1/4-18 lock	All	1
19	6-9204								Terminal—Bulkhead station 9	All	2
20	NAS55-33-5A								Bolt—Close tolerance	All	24
	AN960-516								Washer—Plain	All	12
	AN365-524								Nut—Self-locking	All	12
21	6-10122								Terminal—Bulkhead station 9 (upper)	All	2
22	NAS55-32-5A								Bolt—Close tolerance	All	4
	NAS56DD33A								Bolt—Close tolerance	All	8
	AN960D616								Washer—Plain	All	24
	AN365D624								Nut—Self-locking	All	24
23	6-10122-5								Terminal—Bulkhead station 9 (lower)	All	2
	15-7020								Bulkhead Assembly—Station 10	All	1
24	8-1273								Terminal—Fin rear spar bulkhead	All	2
25	AN3-11A								Bolt—Aircraft	All	4
	AN3-7A								Bolt—Aircraft	All	4
	AN960-10								Washer—Plain	All	4
	AN365-1032								Nut—Self-locking	All	4

FUSELAGE



C-8067

Figure 76—Top Gun Emplacement Windows

AN 01-20EG-4

FUSELAGE

Top Gun Emplacement Windows

Figure & Index No.	Part Number	1	2	3	4	5	6	7	Nomenclature	Usage Code	Units Per Assy.
									Top Gun Emplacement Windows		
									Installation—Top gun emplacement fairing (see fig. 85)	All	NP
									Fairing Assembly	RC	1
									Fairing Assembly	TP	1
76-1									Panel	All	1
2									Screw—Sheet metal round head	All	22
									Speednut (Tinnerman)	All	22
									Installation—Upper gun emplacement spoiler	RC	NP
3									Spoiler Assembly	RC	1
4									Bolt—Clevis	RC	2
									Washer—Plain	RC	2
									Nut—Aircraft shear	RC	2
5									Bushing—Bearing	RC	2
6									Hinge Assembly—Spoiler (LH)	RC	1
7									Hinge Assembly—Spoiler (RH)	RC	1
8									Screw—Brazier head	RC	4
									Nut—Self-locking	RC	4
									Screw—Brazier head	RC	4
									Nut—Self-locking	RC	4
9									Spacer	RC	4
10									Handle Assembly—Spoiler upper gun	RC	1
11									Bolt—Clevis	RC	1
12									Washer—Plain	RC	12
									Nut—Aircraft shear	RC	7
									Link Assembly—Spoiler	RC	1
13									Bolt—Clevis	RC	1
14									Washer—Plain	RC	1
									Nut—Aircraft shear	RC	1
15									Spacer	RC	1
									Installation—Top gun fairing window	All	NP
									Window Assembly	WB	1
16									Window—Plexiglass	WB	1
17									Angle—Forward	WB	1
18									Tube	WB	1
19									Bolt—Aircraft	WB	4
									Nut—Self-locking	WB	8
20									Angle—Aft	WB	1
21									Tube	WB	1
22									Screw—Sheet metal round head	WB	18
									Speednut (Tinnerman)	WB	18
23									Washer—Plain	WB	18
24									Washer—Everseal	WB	40
25									Screw—Sheet metal round head	WB	42
									Speednut (Tinnerman)	WB	42
26									Frame Assembly	WB	1
									Spacer	WB	4
27									Nut—Self-locking	WB	4
28									Washer—Plain	WD	12
29									Nut—Aircraft plain	WD	4
30									Bolt—Special	WD	4
31									Handle—Top window	WD	2
32									Handle—Top window	WD	2
33									Nut—Aircraft shear	WB	4
									Window Assembly	PN	1
									Window Assembly	MQ	1
34									Deflector (used on 15-6620-88)	All	1
35									Screw—Sheet metal round head (used on 15-6620-88)	QN	5
36									Angle—Forward	QN	1
37									Tube	QN	1
38									Bolt—Aircraft	QN	2
									Nut—Self-locking	QN	4
39									Screw—Sheet metal round head	QN	9
									Speednut (Tinnerman) (used on 15-6620-88)	QN	58
40									Washer—Plain	QN	9
41									Screw—Sheet metal round head	QN	44
42									Washer—Everseal	QN	20
43									Frame Assembly	QN	1
44									Spacer	QN	4
45									Nut—Self-locking	QN	4
46									Washer—Plain	QN	12
47									Nut—Aircraft plain	QN	4
48									Bolt—Special	QN	4
49									Handle—Top window	QN	2
									Handle—Top window	QN	2
50									Nut—Aircraft shear	QN	4
									Window Assembly	PN	1
									Window Assembly	MQ	1
51									Window—Plexiglass	PN	1
52									Window—Plexiglass	MQ	1
53									Strip—Plexiglass	PN	1
54									Door—Plexiglass	QN	1
55									Hinge	QN	1
56									Screw—Sheet metal round head	QN	6
57									Screw—Truss head	QN	1
									Nut—Self-locking	QN	1
58									Bushing—Plain steel	QN	1
59									Handle—Access door	QN	1
60									Washer—Plain	QN	2
61									Strap Assembly—Access door	QN	1
62									Screw—Truss head	QN	2
									Nut—Self-locking	QN	2
63									Spacer	QN	1
64									Spring—Access door	QN	1

FUSELAGE

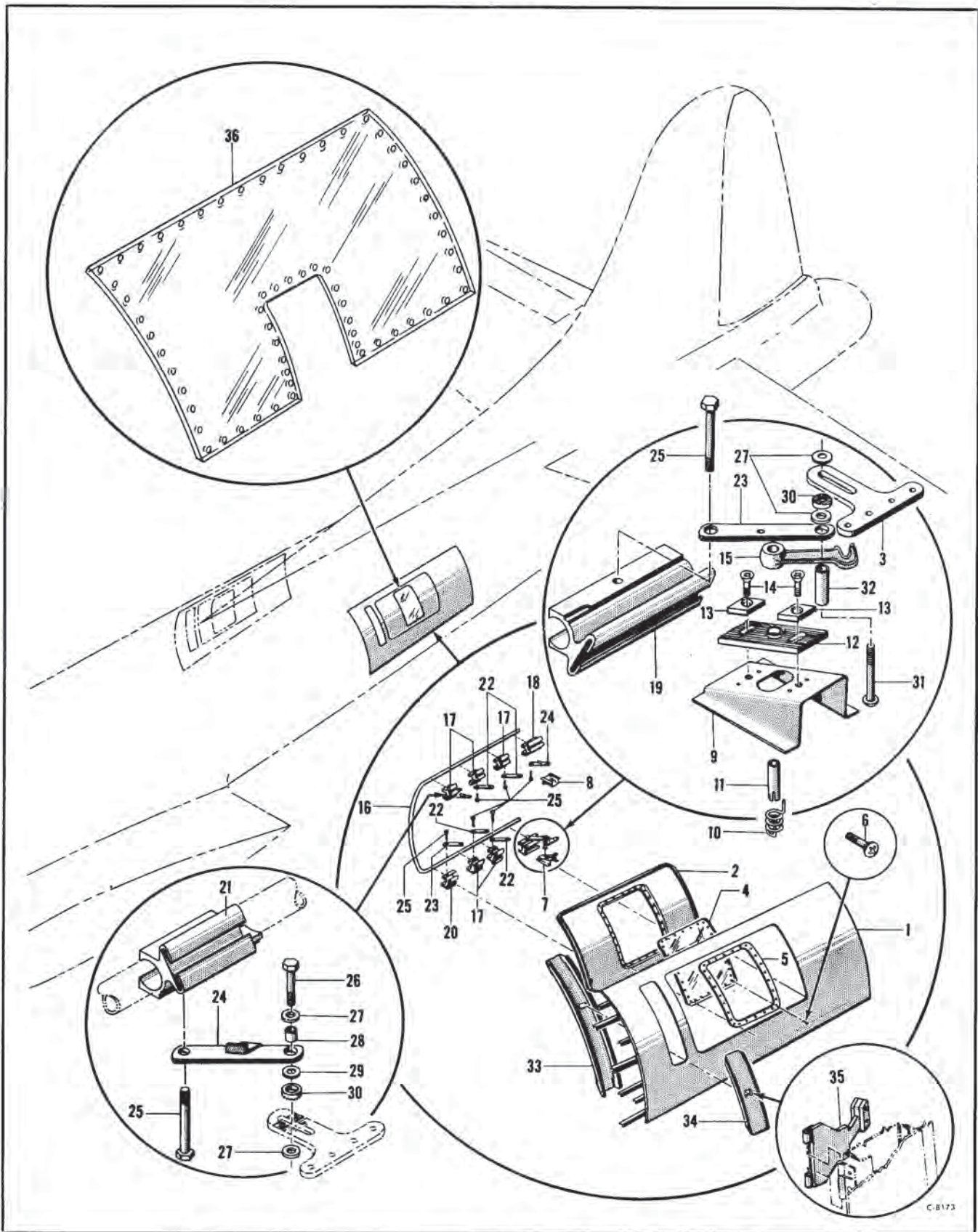


Figure 77—Waist Gun Windows

AN 01-20EG-4

FUSELAGE

Waist Gun Windows

Figure & Index No.	Part Number	1	2	3	4	5	6	7	Nomenclature	Usage Code	Units Per Assy.
									Waist Gun Windows		
	65-7331								Fuselage Assembly—Rear section (see fig. 79)	OA	Ref
	65-7331-2								Fuselage Assembly—Rear section (see fig. 79)	KJ	Ref
	15-7374								Installation—Side gun window panel (LH)	OA	NP
	15-7374-1								Installation—Side gun window panel (RH)	OA	NP
77-1	15-7374-2								Panel Assembly (LH)	T	1
	15-7374-3								Panel Assembly (RH)	T	1
	15-7374-58								Panel Assembly (LH)	NG	1
	15-7374-59								Panel Assembly (RH)	NG	1
	15-7573								Window Assembly—Side gun (LH)	T	1
	15-7573-1								Window Assembly—Side gun (RH)	T	1
2	15-7573-2								Panel Assembly (LH)	T	1
	15-7573-3								Panel Assembly (RH)	T	1
3	1-28841								Plate—Waist gunners window	T	8
4	15-7573-8								Window	T	1
5	15-7573-10								Retainer	T	1
6	AN530-10R10								Screw—Sheet metal round head	T	28
7	6-9265-3								Hook Assembly—Side gun window (LH)	T	1
	6-9265-2								Hook Assembly—Side gun window (RH)	T	1
8	6-9265								Hook Assembly—Side gun window (LH)	T	1
	6-9265-1								Hook Assembly—Side gun window (RH)	T	1
9	1-18385								Bracket Assembly—Side window (on 6-9265 and -1)	T	1
	1-18401								Bracket Assembly—Side window (on 6-9265-3 and -2)	T	1
10	1-18560								Spring—Side gun window (LH)	T	1
	1-18560-1								Spring—Side gun window (RH)	T	1
11	6-9265-4								Shaft	T	1
12	1-18393								Plate Assembly	T	1
13	1-18457-1								Washer—Side window	T	2
14	AN510-10-10								Screw—Flat head	T	2
15	1-18379								Hook—Side window	T	1
	49-3685								Handle Assembly—Side gun window	T	1
16	49-3685-400								Tube	T	1
17	9-3685-2								Slider	T	4
18	9-3685-3								Slider	T	1
19	9-3685-4								Slider	T	1
20	9-3685-5								Slider	T	1
21	9-3685-6								Slider	T	1
22	1-24613-4								Link—Side gun window	T	4
23	1-18913-5								Link Assembly—Side window (lower)	T	2
24	1-18913-6								Link Assembly—Side window (upper)	T	2
25	AN4-20A								Bolt—Aircraft	T	8
	940-416								Washer—Burr	T	24
26	AN4-10A								Bolt—Aircraft	T	6
	AN365-428								Nut—Self-locking	T	8
27	940-416								Washer—Burr	T	14
28	BAC326-17S								Bushing	T	6
29	AN960D416L								Washer—Plain	T	8
30	1-18380-8-250								Washer—Special	T	8
31	BAC1470-428-28S								Screw—Button head	T	2
32	BAC326-64S								Bushing	T	2
	15-7044								Installation—Side window spoiler (LH)	OA	NP
	15-7044-1								Installation—Side window spoiler (RH)	OA	NP
	15-7044-15								Spoiler Assembly (LH)	OA	1
	15-7044-16								Spoiler Assembly (RH)	OA	1
33	15-7044-8								Frame Assembly (LH)	OA	1
	15-7044-9								Frame Assembly (RH)	OA	1
34	15-7044-17								Door Assembly	OA	1
35	1-18498								Lever Assembly—Spoiler	OA	1
	15-11639								Installation—Waist gun window LH	All	NP
	15-11645								Installation—Waist gun window RH	All	NP
36	15-11640-2								Window—Waist LH	All	1
	15-11644-2								Window—Waist RH	All	1

FUSELAGE

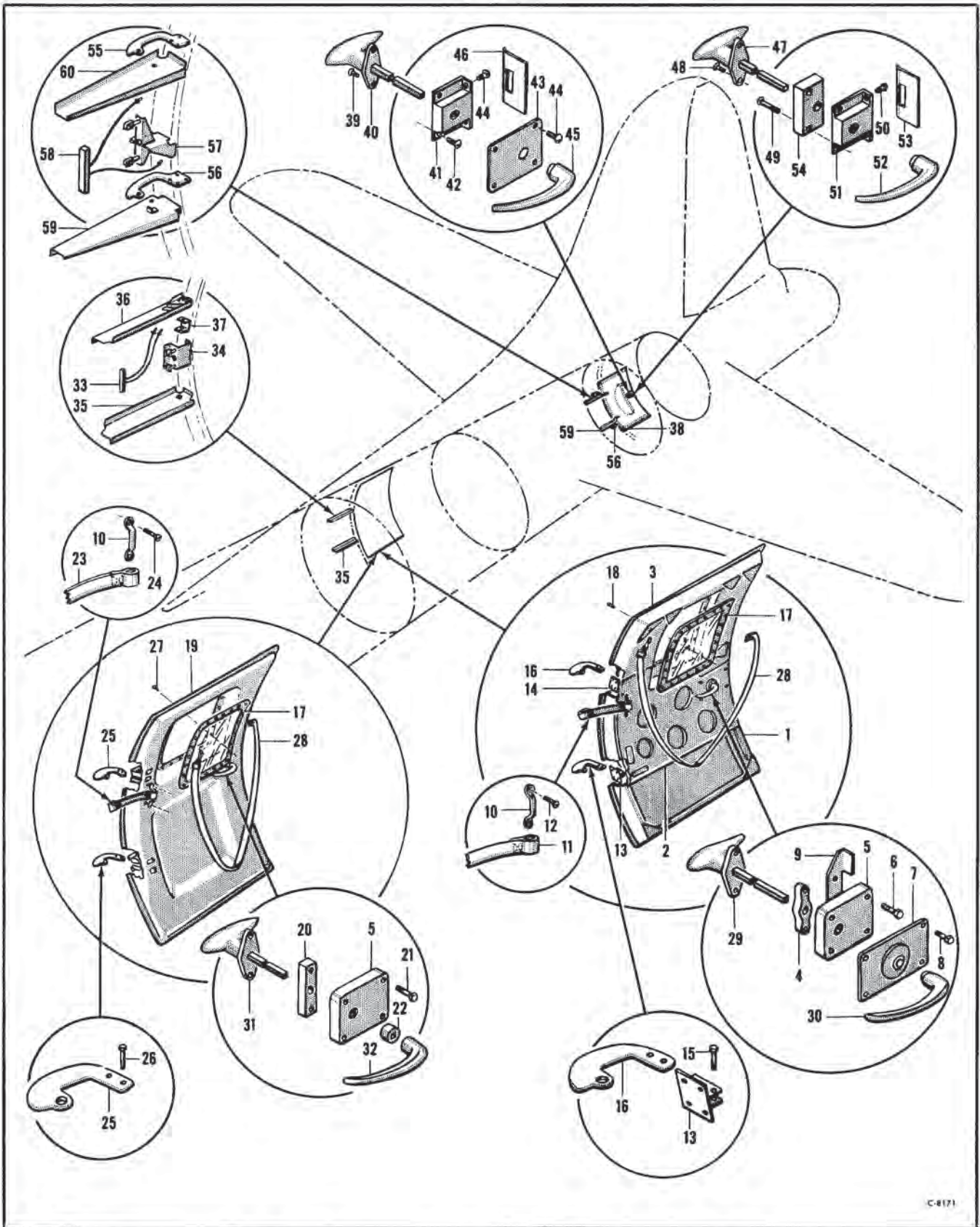


Figure 78—Main Entrance and Emergency Exit Doors and Releases

AN 01-20EG-4

FUSELAGE

Main Entrance and Emergency Exit Doors and Releases

Figure & Index No.	Part Number	1	2	3	4	5	6	7	Nomenclature	Usage Code	Units Per Assy.	
		Main Entrance and Emergency Exit Doors and Releases										
	65-7331	Fuselage Assembly—Rear section (see fig. 79)								OA	Ref	
	65-7331-2	Fuselage Assembly—Rear section (see fig. 79)								KJ	Ref	
	55-7606	Installation—Main entrance door								All	NP	
	55-7606-400	Door Assembly								EC	1	
	55-7606-416	Door Assembly								PO	1	
	55-7606-414	Door Assembly								All	1	
78-1	15-7606-1	Frame Assembly								V	1	
2	15-7606-24	Panel								V	1	
3	15-7606-26	Skin								V	1	
4	1-18521	Spacer—Cast								V	1	
5	54-1A	Latch (Rite Hardware)								All	1	
6	AN3A11	Bolt—Aircraft								V	4	
	AN960A10L	Washer—Plain								V	24	
	AN960A616L	Washer—Plain								V	4	
7	3-16120	Plate Assembly—Escutcheon								V	1	
	1-18862	Escutcheon								V	1	
8	NAS221-8	Bolt—Shear close tolerance								V	12	
9	1-22603	Angle Assembly—Latch attaching								V	1	
10	6403D	Loop—Footman (Eberhard)								All	1	
11	1-27639	Strap—Door stop								V	1	
12	AN510-10R6	Screw—Flat head								V	2	
13	1-18683	Fitting—Door hinge (bottom)								V	1	
14	1-18683-1	Fitting—Door hinge (top)								V	1	
15	NAS53A10	Bolt—Close tolerance								V	4	
16	1-18822	Hinge Assembly—Door								V	2	
17	3-13721	Window—Main entrance door								All	1	
18	AN530-10R8	Screw—Sheet metal round head								V	24	
	AN960D10	Washer—Plain								V	24	
19	55-7606-412	Door Assembly								PG	1	
20	55-7606-415	Spacer								PG	1	
21	NAS221-16	Bolt—Shear close tolerance								PG	4	
22	55-7606-406	Spacer								PG	1	
23	1-27639-1	Strap—Door stop								PG	1	
24	AN531-10R8	Screw—Sheet metal flat head								PG	2	
25	3-20750	Hinge Assembly—Door								PG	2	
26	NAS53A7	Bolt—Close tolerance								PG	4	
27	AN530-10R10	Screw—Sheet metal round head								PG	22	
28	3-13737-4	Strap Assembly—Door								All	1	
	070618	Snap								All	1	
29	25-1G	Knob Assembly (Rite Hardware)								V	1	
	25-1J	Knob Assembly (Rite Hardware)								LG	1	
30	380B	Lever (Rite Hardware)								EC	1	
31	25-1M	Knob Assembly (Rite Hardware)								PO	1	
32	UB1	Handle Assembly (Rite Hardware)								PO	1	
	15-7513	Installation—Main entrance door frame								OA	NP	
	15-7513-47	Installation—Main entrance door frame								KJ	NP	
	15-7513-1	Frame Assembly								OA	1	
	15-7513-48	Frame Assembly								HJ	1	
	15-7513-54	Frame Assembly								UP	1	
33	1-18557-13	Handle Assembly—Emergency release								All	1	
34	3-13628-2	Support Assembly—Door release								All	1	
	46-9419-402	Installation—Door hinge support (bottom)								All	NP	
	46-9419-403	Installation—Door hinge support (top)								All	NP	
35	46-9419-400	Support Assembly (bottom)								All	1	
	1-18842	Hinge Assembly—Main door								All	1	
36	46-9419-401	Support Assembly (top)								All	1	
	1-18842-1	Hinge Assembly—Main door								All	1	
37	3-20828	Support Assembly—Door stop								All	1	
	15-7595	Installation—Emergency exit door								All	NP	
38	15-7595-1	Door Assembly								All	1	
	3-13714	Installation—Emergency exit door latch								T	NP	
39	AN510-10R10	Screw—Flat head								T	2	
40	25-1F	Knob Assembly—Door (Rite Hardware)								T	1	
41	53-1C	Latch Assembly—Exit door (Rite Hardware)								T	1	
42	AN526-1032R8	Screw—Truss head								T	2	
43	1-18789	Plate—Door								T	1	
44	AN526-1032R7	Screw—Truss head								T	6	
45	360B	Handle (Rite Hardware)								T	1	
46	1-18863-1	Plate—Striker								T	1	
	3-21872	Installation—Emergency exit door latch								NG	NP	
47	25-1L	Knob Assembly—Door (Rite Hardware)								NG	1	
48	AN531-10R10	Screw—Sheet metal flat head								NG	2	
49	AN526-1032R16	Screw—Truss head								NG	2	
50	AN526-1032R7	Screw—Truss head								NG	2	
51	53-1C	Latch Assembly—Exit door (Rite Hardware)								NG	1	
52	36CB	Handle (Rite Hardware)								NG	1	
53	3-13714-1	Plate—Striker								NG	1	
54	1-28999	Filler—Emergency door								NG	1	
55	1-18661-4	Hinge Assembly—Emergency exit door (top)								All	1	
56	1-18661-3	Hinge Assembly—Emergency exit door (bottom)								All	1	
	15-7514	Installation—Emergency exit frame								All	NP	
	15-7514-1	Frame Assembly								All	1	
	3-13665	Installation—Release handle support								EA	NP	
57	3-13665-1	Bracket Assembly								EA	1	
58	1-18557-1	Handle Assembly—Door release								All	1	
59	15-7514-47	Channel Assembly—Lower								All	1	
60	15-7514-48	Channel Assembly—Upper								All	1	
	BAC340-4-197	Bushing								All	1	

FUSELAGE

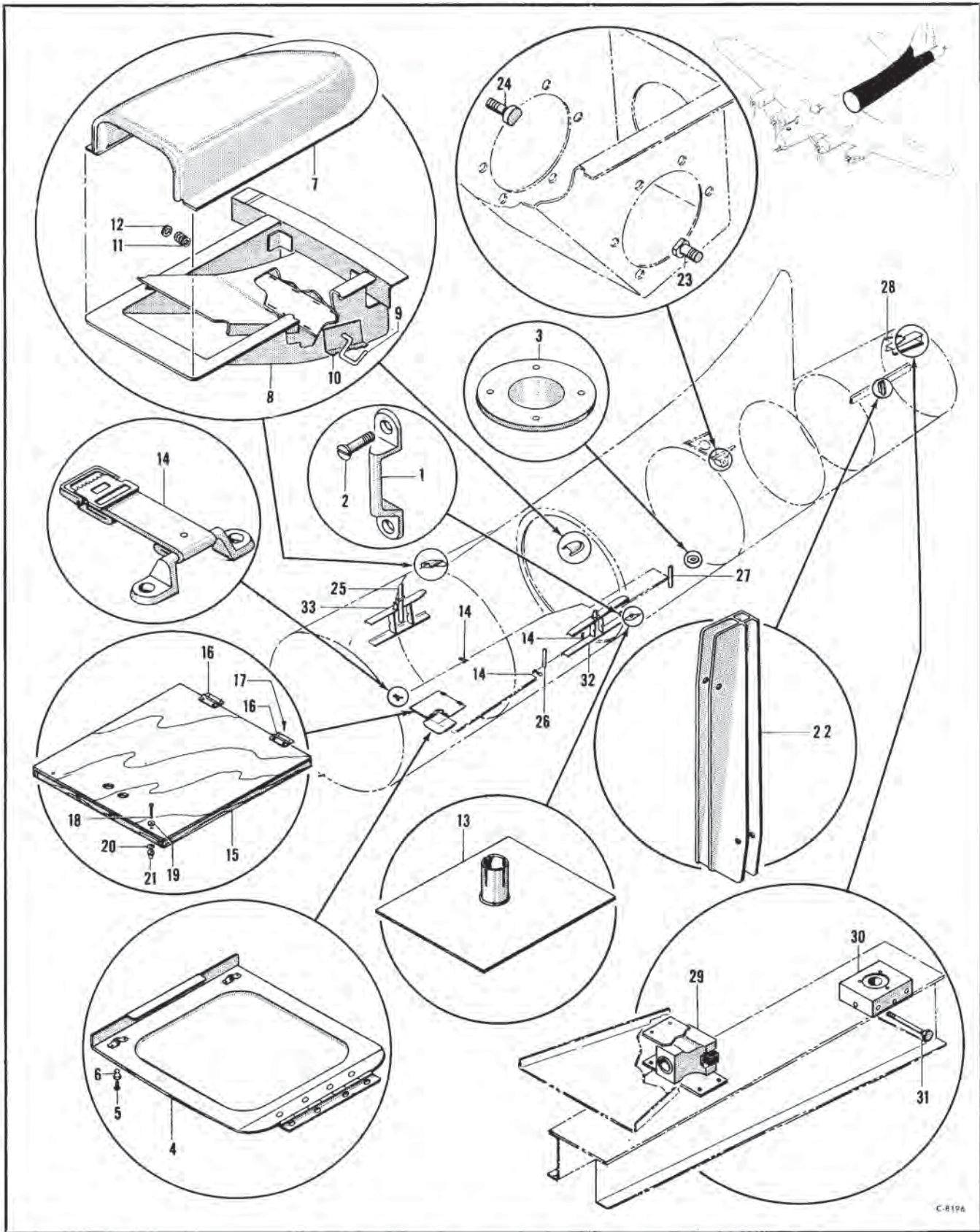


Figure 79—Rear Section Miscellaneous Fittings

AN 01-20EG-4

FUSELAGE

Rear Section Miscellaneous Fittings

Figure & Index No.	Part Number	1 2 3 4 5 6 7	Nomenclature	Usage Code	Units Per Assy.
			Rear Section Miscellaneous Fittings		
	65-7331		Fuselage Assembly—Rear section	OA	1
	65-7331-2		Fuselage Assembly—Rear section	KJ	1
	12-825		Installation—Stiffener station 6H circumference	KJ	NP
	12-825-11		Segment Assembly	All	1
79-1	6411B		Loop—Footman (Eberhard)	RK	1
2	AN510-10R8		Screw—Flat head	All	2
	AN365-1032		Nut—Self-locking	All	2
	3-13552		Installation—Jacking cone	All	NP
3	3-13541		Cone—Jacking	All	1
	55-7612		Installation—Skin station 6-11	All	NP
	15-10431		Installation—Lower turret clean off door	All	NP
4	15-10431-1		Door Assembly	All	1
5	AN526-632R4		Screw—Truss head	All	2
6	P101		Stud (Tinnerman)	All	2
	15-15392		Installation—Defroster intake (LH)	OL	NP
	15-15396		Installation—Defroster intake (RH)	OL	NP
7	6-13419		Scoop Assembly—Air	OL	1
8	9-8083		Control Assembly—Defroster (LH)	OL	1
	9-8083-1		Control Assembly—Defroster (RH)	OL	1
9	6-18386		Damper Assembly—Defroster	OL	1
10	3-27923		Stop—Ratchet	OL	1
11	1-24263		Spring	OL	1
12	AN960-10L		Washer—Plain	OL	2
	9-5621		Installation—Auxiliary power plant patch	EA	NP
13	6-13393		Patch Assembly—Auxiliary power plant	EA	1
	15-13043		Installation—Waist gunners floor	All	NP
14	3-27013		Strap Assembly—Web	All	4
	6411B		Loop—Footman (Eberhard)	All	1
	132		Buckle (Waterbury Buckle Co.)	All	1
15	8-2805		Door Assembly—Station 6C-6D	All	1
16	AN251-2-2		Hinge—Continuous	All	2
17	AN550-10R7		Screw—Flat head wood	All	4
18	AN505-6-18		Screw—Flat head	All	2
19	BAC1907-2		Washer—82 degree countersunk	All	2
20	AN960D6		Washer—Plain	All	2
21	P101		Stud (Tinnerman)	All	2
	15-7633		Installation—Elevator beam hinge support	All	NP
	6-9340		Installation—Elevator tab bracket	All	NP
	6-9340-2		Bracket Assembly	All	1
22	6-9340-9		Bracket	All	1
	55-7621		Installation—Tail gear motor bracket	All	NP
	55-7621-423		Bracket Assembly	All	1
	55-7621-424		Plate Assembly—LH	All	1
23	1-30418		Bolt—Projection welding	All	6
	55-7621-425		Plate Assembly—RH	All	1
24	1-30418-1		Bolt—Projection welding	All	5
	9-5053		Installation—Radio antenna mast	All	NP
25	9-5053-1		Mast Assembly	All	1
	6-10137		Installation—Marker antenna mast (station 5G)	All	NP
26	6-10137-1		Mast Assembly	All	1
	9-3660		Installation—Marker antenna mast (station 6G)	All	NP
27	9-3660-1		Mast Assembly	All	1
	15-7536		Installation—Rudder hinge	All	NP
28	15-7536-1		Beam Assembly	All	1
29	3-13625		Support Assembly—Rudder lock plunger	All	1
	1-18563		Block—Rudder stop	All	2
	1-24204-1		Bushing	All	1
30	3-13575		Bearing Assembly—Rudder hinge	All	1
	AN200K8		Bearing—Heavy duty	All	1
31	NAS53A27-5		Bolt—Close tolerance	All	2
	AN960-10		Washer—Plain	All	2
	AN365-1032		Nut—Self-locking	All	2
	12-1199		Installation—Waist gun mount LH	WQ	NP
	15-11912		Installation—Waist gun mount support LH	JJ	NP
32	12-1199-1		Mount Assembly (see fig. 150)	WQ	1
	9-6481-2		Support Assembly—Gun mount LH (see fig. 150)	JJ	1
	12-1198		Installation—Waist gun mount RH	WQ	NP
	15-11900		Installation—Waist gun mount support RH	JJ	NP
33	12-1198-1		Mount Assembly (see fig. 150)	WQ	1
	9-6482-2		Support Assembly—Gun mount RH (see fig. 150)	JJ	1

FUSELAGE

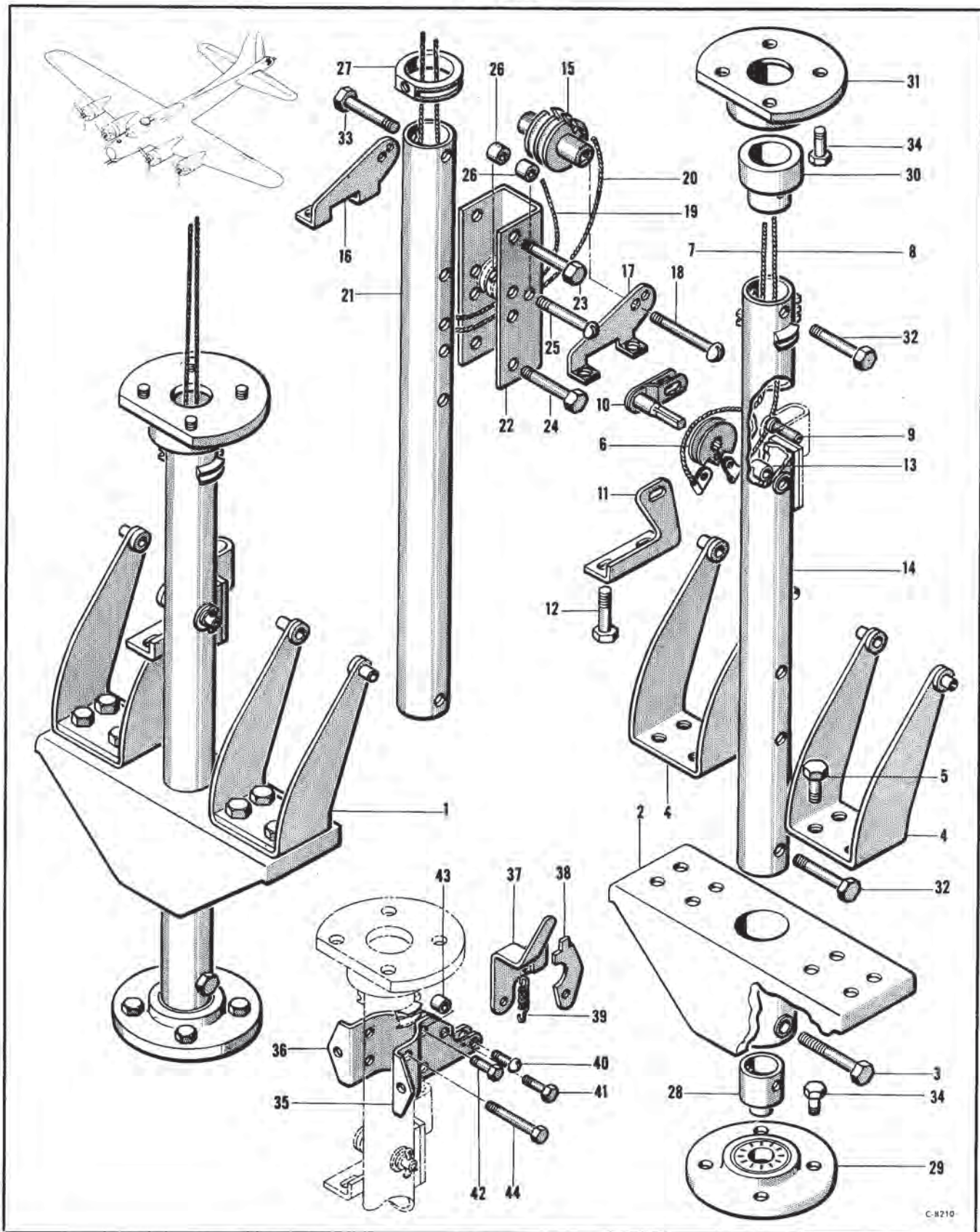


Figure 80—Rear Gun Mount and Tow Target Release

AN 01-20EG-4

FUSELAGE

Rear Gun Mount and Tow Target Release

Figure & Index No.	Part Number	1 2 3 4 5 6 7	Nomenclature	Usage Code	Units Per Assy.
			Rear Gun Mount and Tow Target Release		
80-1	15-7518-1		Mount Assembly—Rear gun (see fig. 182)	PB	Ref
2	6-9280		Support—Gun mount	PB	1
3	NAS55S25-5A		Bolt—Close tolerance	PB	2
	AN365-524		Nut—Self-locking	PB	2
4	3-13527		Yoke Assembly—Gun mount	PB	2
5	AN5-10A		Bolt—Aircraft	PB	8
	15-7518-4		Pulley Assembly	B	1
6	1-18304		Pulley—Sight control	B	1
7	BAC1804-21-3R		Cable Assembly—Control	B	1
8	BAC1804-16-6R		Cable Assembly—Control	B	1
9	AN393-19		Pin—Flat head	B	1
	AN960-10L		Washer—Plain	B	1
10	1-19661		Crank Assembly—Rear gun sight	B	1
11	1-19658		Bracket—Rear gun sight	B	1
12	AN4-16		Bolt—Aircraft	B	2
13	1-29690		Spacer—Pulley	B	1
	3-13531-7		Tube Assembly—Rear gun support	B	1
14	3-13531-5		Tube Assembly—Weld	B	1
15	3-20466		Sheave—Rear gun sight	YD	1
16	3-20464		Bracket—Rear gun sight	YD	1
17	3-20464-1		Bracket—Rear gun sight	YD	1
18	AN515-8R10		Screw—Round head	YD	4
19	BAC1824-206-248		Cable Assembly—Control	YD	1
20	BAC1824-206-203		Cable Assembly—Control	YD	1
	6-14027-2		Tube Assembly—Rear gun support	YD	1
21	6-14027-1		Tube	YD	1
22	3-20468		Channel	YD	1
23	NAS54A22		Bolt—Close tolerance	YD	1
	AN364-428		Nut—Thin self-locking	YD	1
24	1-28979-1		Bolt—Special	YD	3
	AN316-4R		Nut—Aircraft check	YD	3
25	1-28977-1		Bolt—Special	YD	1
26	BAC1603-32		Spacer	YD	2
	AN315-3R		Nut—Aircraft plain	YD	1
27	3-20476		Sheave—Gun mount upper	YD	1
28	1-18256		Terminal—Rear gun support	PB	1
29	3-13514		Support Assembly—Rear gun mount	PB	1
30	1-18262		Terminal—Rear gun support	PB	1
31	3-13507		Support Assembly—Rear gun mount	PB	1
32	AN4-21A		Bolt—Aircraft	PB	2
	AN365-428		Nut—Self-locking	PB	2
33	AN4-6A		Bolt—Aircraft	YD	2
34	AN3-6A		Bolt—Aircraft	PB	8
	55-7311		Installation—Equipment	All	NP
	9-5314		Installation—Tow target release	PB	NP
	9-5314-1		Release Assembly	PB	1
35	3-18266		Support—Tow target release	PB	1
36	3-18266-1		Support—Tow target release	PB	1
37	3-18269		Lever Assembly—Tow target release	PB	1
38	1-26471		Yoke—Tow target release	PB	1
39	36A2108		Spring	PB	1
40	AN23-12		Bolt—Clevis	PB	1
	AN310-3		Nut—Aircraft castle	PB	1
41	AN4-6A		Bolt—Aircraft	PB	1
	AN310-4		Nut—Aircraft castle	PB	1
42	AN3-6A		Bolt—Aircraft	PB	2
43	BAC1603-14		Spacer	PB	2
	AN365-1032		Nut—Self-locking	PB	2
44	AN3-21A		Bolt—Aircraft	PB	2
	AN365-1032		Nut—Self-locking	PB	2

FUSELAGE

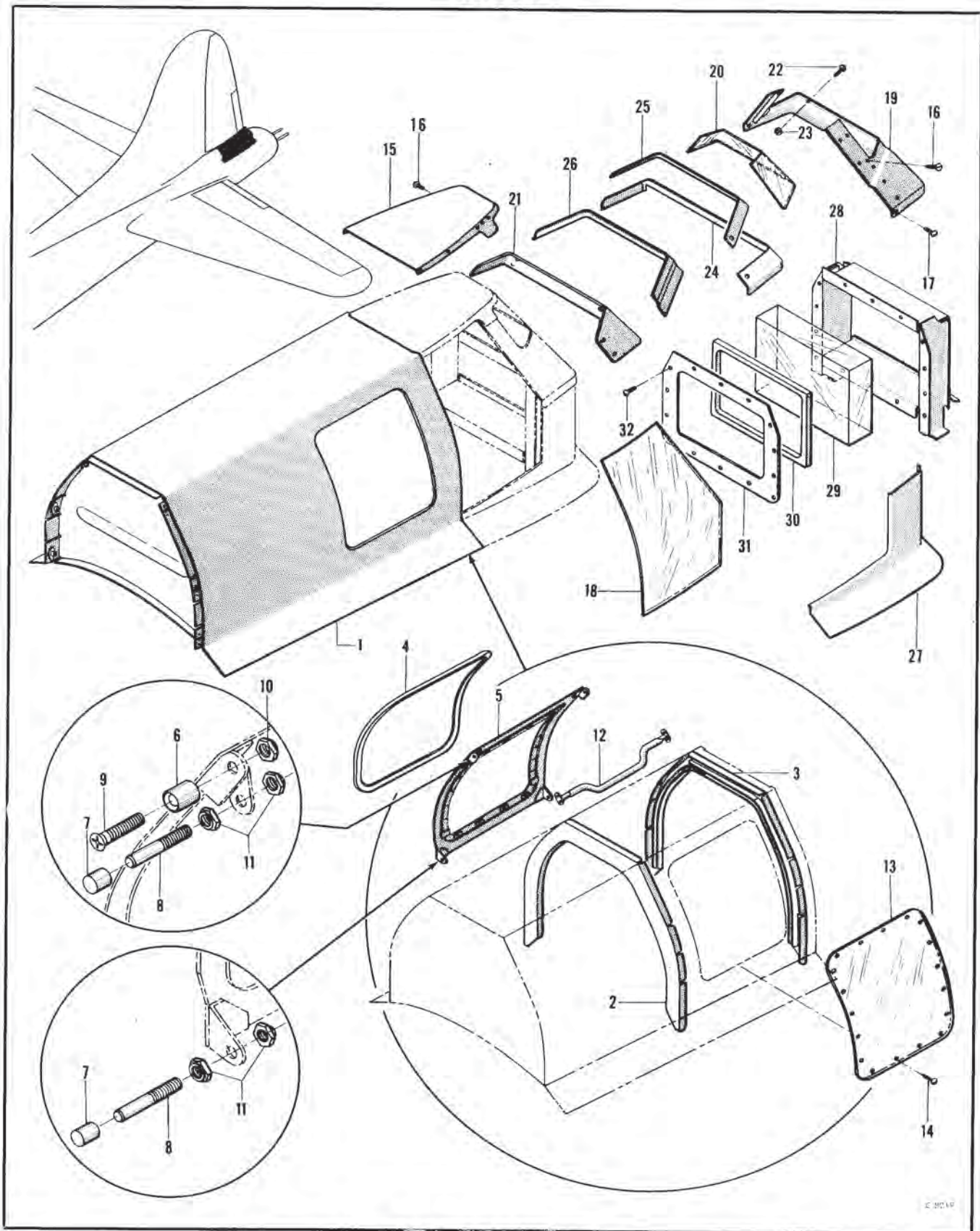


Figure 81—Tail Gunner's Window Enclosure

AN 01-20EG-4

FUSELAGE

Tail Gunners Window Enclosure

Figure & Index No.	Part Number	1	2	3	4	5	6	7	Nomenclature	Usage Code	Units Per Assy.
									Tail Gunners Window Enclosure		
	55-7377								Fuselage Assembly (see fig. 71)	All	Ref
	15-7360-83								Enclosure Assembly—Rear gun	PB	1
	15-7360-90								Enclosure Assembly—Rear gun	KM	1
	15-7360-1								Shell Assembly—Upper	PB	1
	15-7360-91								Shell Assembly—Upper	KM	1
81-1	15-13288								Shell Assembly—Head fairing	QH	1
	14-3316								Shell—Head fairing	NE	1
	9-3442								Shell—Head fairing	E	1
	15-8778								Installation—Rear gunners window	All	NP
2	15-8775								Channel Assembly—Head fairing	EA	1
3	15-8774								Channel Assembly—Head fairing	EA	1
4	15-8778-5								Seal—Rubber	Q	1
	15-8778-10								Seal—Rubber	YE	1
5	15-8779								Panel Assembly—Pick up window	All	1
6	1-20367								Spacer—Special	All	2
7	M361								Bearing—Needle (Torrington)	All	4
8	1-20365								Stud—10-32 special	All	4
9	AN505-6R14								Screw—Flat head	All	2
10	AN365-632								Nut—Self-locking	All	2
11	AN364-1032								Nut—Self-locking	All	8
12	3-14987								Handle Assembly—Pick up window	All	1
13	9-6115								Panel—Pick up window	All	1
14	AN520-10R4								Screw—Round head	All	18
	AN960D10L								Washer—Plain	All	18
	48463								Fastener (United Carr)	All	18
15	6-14538								Strip—Rubber retainer window	ZE	1
	3-13657								Strip—Rubber retainer window	E	1
16	AN526-1032R10								Screw—Truss head	All	30
	AN526-1032R5								Screw—Truss head	All	8
17	AN526-1032R10								Screw—Truss head	All	4
	AN365-1032								Nut—Self-locking	All	4
18	15-7572								Panel—Pick up window	All	1
19	46-9339								Frame Assembly—Window rubber retainer	All	1
20	6-9332								Panel—Pick up window	All	1
21	3-13534								Plate—Rear gunner armor	PB	1
22	AN526-1032R16								Screw—Truss head	PB	6
	BAC1554-51-33								Washer—Rubber	PB	6
23	AN365-1032								Nut—Self-locking	PB	8
24	3-13600-1								Gasket—Rubber	PB	1
25	15-7360-11								Strip—Rubber	PB	1
26	6-9468								Strip—Window rubber retainer	All	1
27	6-9268								Fairing—Window frame	All	1
28	9-7321								Mount Assembly—Protective glass	All	1
29	1-17551								Window—Gunners bullet proof glass	All	1
30	1-18815								Gasket—Rubber	All	1
31	6-8979								Retainer—Protective glass	All	1
32	AN526-1032R10								Screw—Truss head	All	7
	AN526-1032R14								Screw—Truss head	All	4
	AN510-10R10								Screw—Flat head	All	3

FUSELAGE

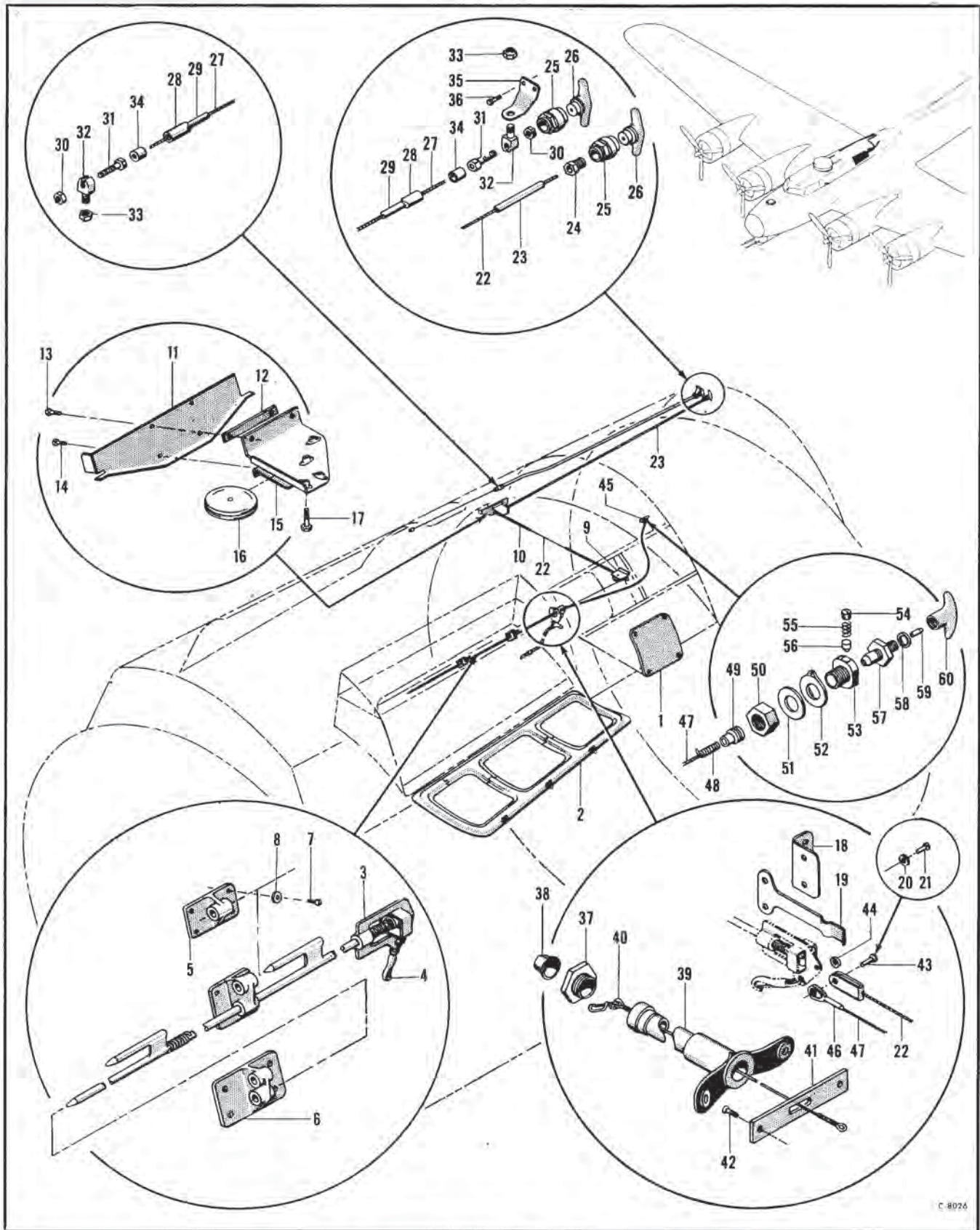


Figure 82—Life Raft Doors and Raft Automatic Ejector

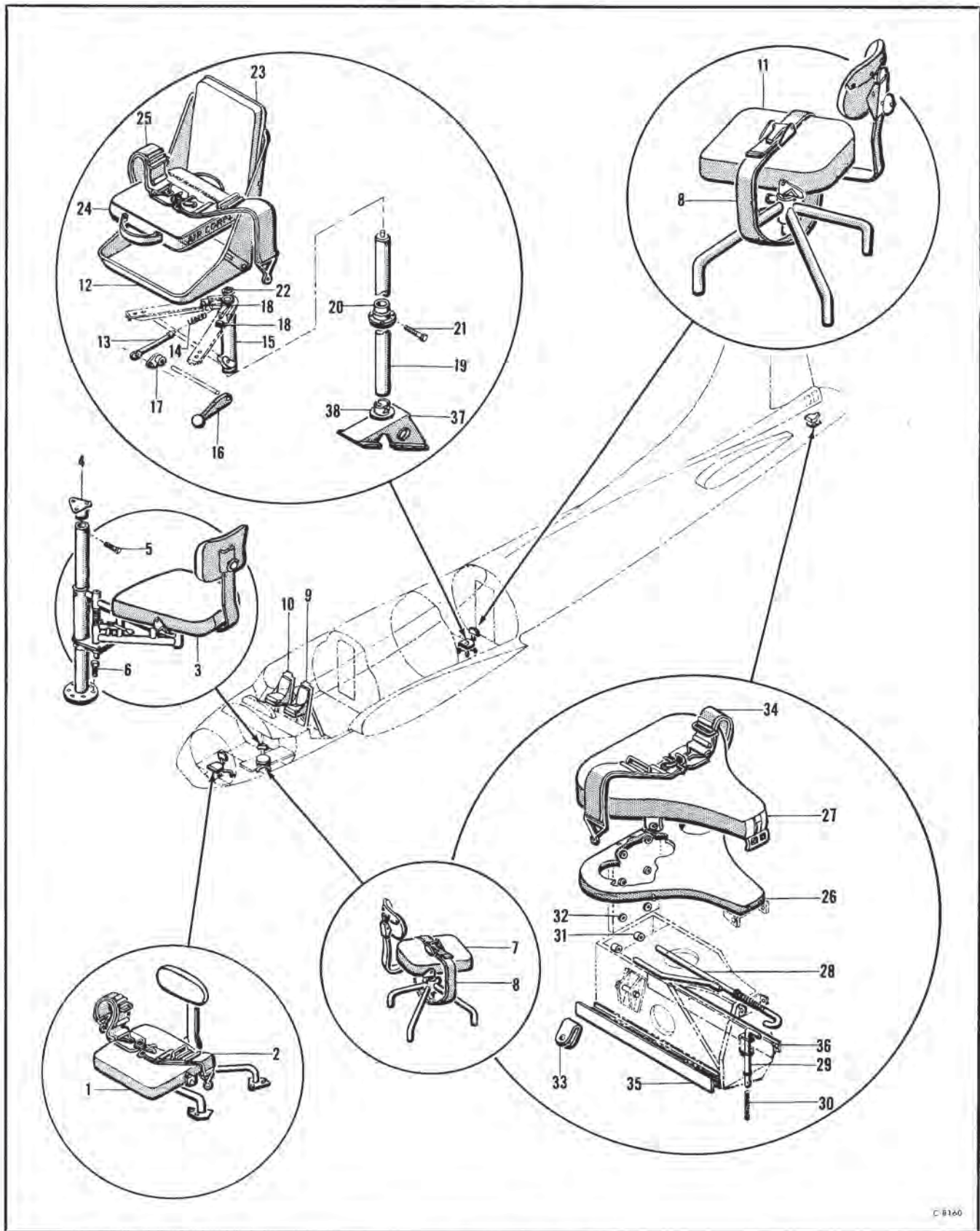
AN 01-20EG-4

FUSELAGE

Life Raft Doors and Raft Automatic Ejector

Figure & Index No.	Part Number	1	2	3	4	5	6	7	Nomenclature	Usage Code	Units Per Assy.
	15-9759								Life Raft Doors and Raft Automatic Ejector		
	15-9759-150								Installation—Life raft fairing (see fig. 65)	FB	NP
	15-9759-43								Installation—Life raft fairing (see fig. 65)	NL	NP
	15-9759-149								Fairing Assembly	FB	1
	14-1695								Fairing Assembly	NL	1
	14-1695-1								Installation—Inspection door (LH)	All	NP
82-1	14-1695-4								Installation—Inspection door (RH)	All	NP
	14-1695-41								Door Assembly (LH)	EA	1
	14-1695-5								Door Assembly (LH)	QH	1
	14-1695-42								Door Assembly (RH)	EA	1
2	15-9759-8								Door Assembly (RH)	QH	1
	15-9759-9								Door Assembly (LH)	All	1
3	43-10760-408								Door Assembly (RH)	All	1
	43-10760-409								Latch Assembly—Raft door (LH)	All	1
4	070618								Latch Assembly—Raft door (RH)	All	1
	15-9759-2								Snap	All	1
	15-9759-3								Channel Assembly—LH door latch	All	1
5	1-24977								Channel Assembly—RH door latch	All	1
6	1-24981								Guide—Door latch	All	1
7	AN520-10R12								Guide—Door latch	All	1
	AN365-1032								Screw—Round head	All	10
8	AN960D10								Nut—Self-locking	All	10
	54-1696								Washer—Plain	All	10
9	43-11181								Installation—Inspection door support (LH)	FB	NP
	AN3-6A								Bracket Assembly—Pulley LH	FB	1
	AN210-2A								Bolt—Aircraft	FB	1
10	65-5783-606								Pulley—Anti-friction bearing control	FB	1
	49-2914								Tube	All	1
11	49-2914-401								Installation—Pulley bracket RH	All	NP
12	49-2914-5								Plate	All	1
13	AN520-10-10								Spacer	All	1
14	AN520-10-7								Screw—Round head	All	2
15	49-2914-400								Screw—Round head	All	2
16	AN210-2A								Bracket Assembly	All	1
17	AN3-6A								Pulley—Anti-friction bearing control	All	1
	55-7311								Bolt—Aircraft	All	1
18	64-1698								Installation—Equipment	All	NP
19	64-1698-3								Installation—Life raft automatic ejector	All	NP
	41-8180								Angle	All	1
	41-8180-1								Spring—Latch (LH)	All	1
20	AN960-10L								Spring—Latch (RH)	All	1
21	AN393-11								Washer—Plain	QB	4
22	64-1698-500								Pin—Flat head	QB	2
23	64-1698-504								Cable Assembly—LH	All	1
24	810B4D								Tube	All	1
25	8805								Fitting—Solderless double	All	1
26	41-7703								Socket Assembly—Mounting (Walter Kidde Co.)	All	2
27	64-1698-501								Handle—T pull	All	2
28	64-1694-506								Cable Assembly—RH	All	1
29	64-1694-505								Casing—Control cable	All	1
30	AN316-4R								Tube	All	1
31	AN8005-1								Nut—Aircraft check	All	2
32	038244								Stop—Control cable flexible casing	All	2
33	AN365-428								Post—Control cable flexible casing	All	2
34	AN8004-1								Nut—Self-locking	All	2
35	1-18566								Cap—Flexible push-pull control casing	All	2
36	AN3-4A								Bracket—Bowdenite support	All	1
37	1-29232								Bolt—Aircraft	All	2
38	1-26276-1								Coupling—Conduit	All	2
39	3-16979								Ferrule—Rigid conduit	All	2
40	1-24228-2								Guide Assembly—Cable	All	2
41	41-9046-1								Cable Assembly—Life raft	All	2
42	AN505-6R10								Fairlead—Life raft control	All	2
	15-15489								Screw—Flat head	All	4
43	AN393-17								Installation—Life raft control	XM	NP
44	AN960-10L								Pin—Flat head	XM	2
45	3A385								Washer—Plain	XM	6
46	6M345								Control Assembly (Shakespeare Products Co.)	XM	2
47	9900								Clevis	XM	1
48	3700								Cable	XM	1
49	6M343								Tubing—Wire	XM	1
50	1054								Adapter	XM	1
51	1264								Nut—Plain	XM	1
52	1485								Washer—Internal shakeproof	XM	1
53	3F142								Washer	XM	1
54	10G116								Plate—Face	XM	1
55	985								Screw—Set	XM	1
56	6M377								Spring—Locking pawl	XM	1
57	6M342								Pawl	XM	1
58	1248								Insert—Plunger	XM	1
59	6M344								Washer	XM	1
60	2K148								Fitting—Wire	XM	1
									Handle—T	XM	1

FUSELAGE



C-9160

Figure 83—Seats Index

AN 01-20EG-4

FUSELAGE

Seats Index

Figure & Index No.	Part Number	1 2 3 4 5 6 7	Nomenclature	Usage Code	Units Per Assy.
			Seats Index		
83-1	6-14508		Installation—Bombers seat	All	NP
	14-3626		Seat Assembly—Bombardiers	All	1
2	34G1646		Belt Assembly (Type B-11) GFE	All	1
	14-3311		Installation—Navigators seat	F	NP
	15-15398		Installation—Navigators seat	HM	NP
3	10-2142		Seat Assembly—Navigators (Cramer Posture Chair Co.)	ND	1
4	3-20238		Fitting—Navigators seat	F	1
5	AN3-17A		Bolt—Aircraft	F	1
6	AN5-10A		Bolt—Aircraft	ND	6
7	1-18332		Chair—Navigators	WK	1
8	1-18411		Strap Assembly—Chair	All	2
9	47-1501		Installation—Pilots and co-pilots seat (LH) (see fig. 84)	All	NP
10	47-1501-1		Installation—Pilots and co-pilots seat (RH) (see fig. 84)	All	NP
11	1-18332		Chair—Radio operators	AB	1
	7-1503		Installation—Radio operators seat	AL	NP
	75-4133		Seat Assembly—Radio operators	AL	1
12	65-5280-506		Seat Assembly	AL	1
13	61-9846		Plunger—Seat adjusting	AL	1
14	41-293		Spring—Compression	AL	1
15	56-5141		Shaft Assembly—Radio operators seat	AL	1
	56-5141-6		Bearing—Oilite	AL	1
	41-9961		Cap Assembly—Seat shaft	AL	1
	AN200K6		Bearing—Heavy duty	AL	1
16	81-4547		Handle—Seat adjusting	All	1
17	41-5899		Bell Crank—Crew seat	AL	1
18	1-18050-12		Spacer	AL	2
19	3-8010-12		Post Assembly—Radio operators seat	AL	1
	1-18399		Cap—Crew seat post	AL	1
20	21-9759		Collar—Radio operators seat	AL	1
21	NAS54A26		Bolt—Close tolerance	AL	1
22	41-9963-1		Washer—Concave	AL	1
23	AN7501		Cushion—Aircraft type A-3	AL	1
24	074272		Cushion (Type A-1)	AL	1
25	34G1646		Belt Assembly (Type B-11) GFE	AL	1
	15-7337		Installation—Rear gunner seat	All	NP
	15-7337-44		Seat Assembly	All	1
	15-7337-43		Support Assembly—Adjusting	All	1
26	15-7337-31		Seat	All	1
27	6-8943		Cushion Assembly—Rear gunner	All	1
28	3-19026		Fork Assembly—Seat lock	All	1
	1-18073		Spring—Compression	All	1
29	1-26887		Tube—Seat lock	All	1
30	1-18073		Spring—Compression	All	1
	15-7337-42		Support Assembly	All	1
31	1-27630		Bushing—Seat lock guide	All	2
32	1-26889		Bushing—Seat lock guide	All	6
33	1-18778		Strap Assembly—Rear gunners seat	All	2
34	34G1646		Belt Assembly (Type B-11) GFE	All	1
35	3-13733		Track Assembly—Rear gunners seat (LH)	All	1
36	3-13733-1		Track Assembly—Rear gunners seat (RH)	All	1
	1-18071		Plate	All	1
	55-7330		Fuselage Assembly—Forward section (see fig. 71)	All	Ref
	9-3092		Installation—Radio operators seat support	AL	NP
37	9-3092-8		Support Assembly	AL	1
	6-8247-1		Support—Radio compartment seat	AL	1
38	41-314		Support—Radio operators seat	AL	1

FUSELAGE

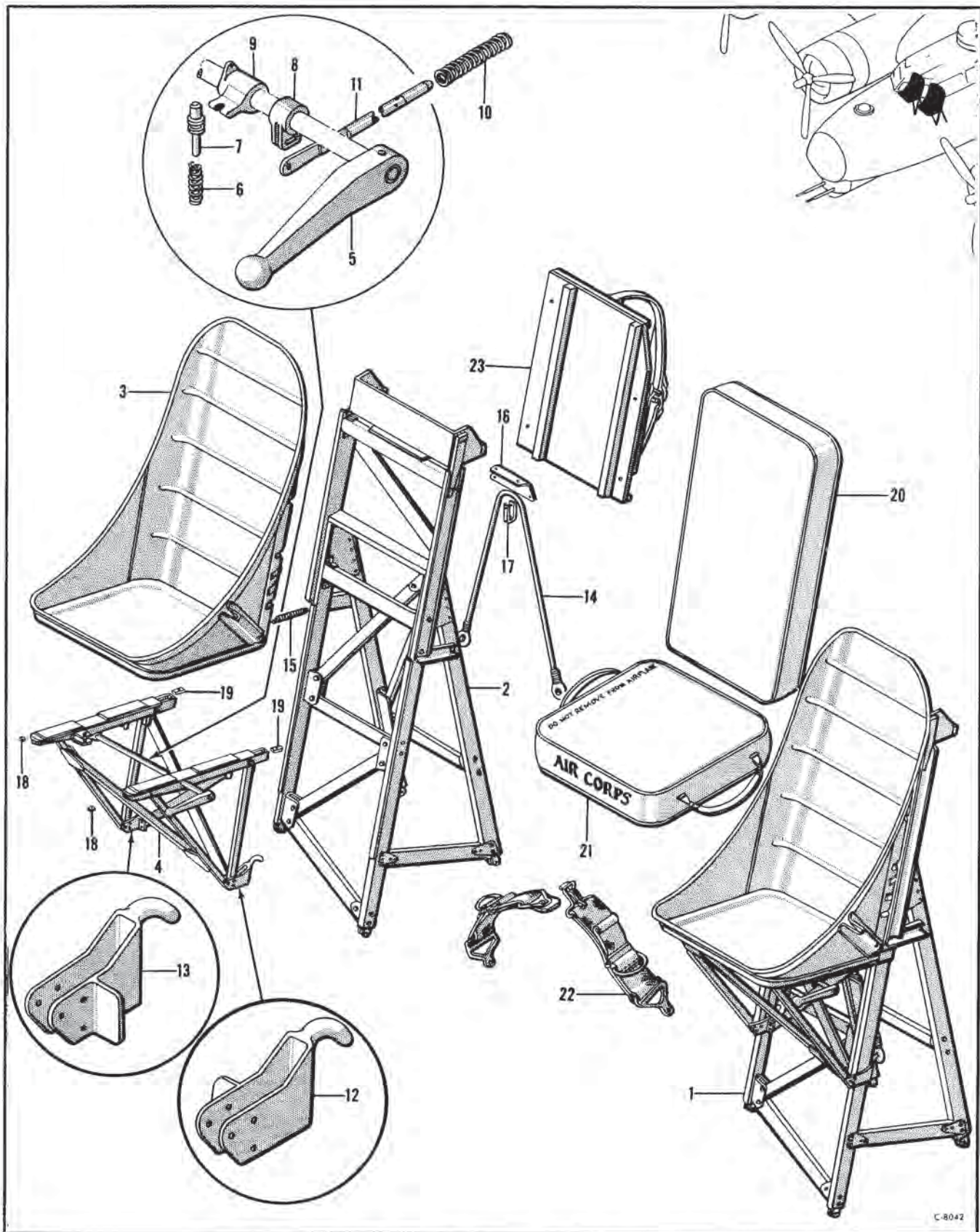


Figure 84—Pilot's and Co-pilot's Seats

AN 01-20EG-4

FUSELAGE

Pilots and Co-pilots Seat

Figure & Index No.	Part Number	1	2	3	4	5	6	7	Nomenclature	Usage Code	Units Per Assy.
	47-1501								Pilots and Co-pilots Seat		
	47-1501-1								Installation—Pilots and co-pilots seat (LH) (see fig. 83)	All	NP
	47-1501-405								Installation—Pilots and co-pilots seat (RH) (see fig. 83)	All	NP
84-1	47-1501-407								Seat Assembly (LH)	VC	1
	47-1501-407								Seat Assembly (LH)	AQ	1
	47-1501-406								Seat Assembly (RH)	VC	1
	47-1501-408								Seat Assembly (RH)	AQ	1
2	75-4093-612								Mount Assembly—Pilots seat support (LH)	VC	1
	75-4093-619								Mount Assembly—Pilots seat support (LH)	AQ	1
	75-4093-614								Mount Assembly—Pilots seat support (RH)	VC	1
	75-4093-618								Mount Assembly—Pilots seat support (RH)	AQ	1
3	75-3448								Seat Assembly—Pilots	All	1
4	55-5272-407								Support Assembly—Pilots seat (LH)	All	1
	55-5272-408								Support Assembly—Pilots seat (RH)	All	1
5	81-4547								Handle	All	1
	55-5272-16								Tube	All	1
6	21-5963								Spring	All	2
7	21-5960								Plunger	All	2
8	51-19								Arm	All	2
9	61-5642								Arm (LH)	All	1
	61-5642-1								Arm (RH)	All	1
10	41-778								Spring—Compression	All	2
11	21-5641								Plunger Assembly	All	2
12	41-9902								Fitting—Pilots seat	All	1
13	41-9902-1								Fitting—Pilots seat	All	1
14	21-9370								Cord Assembly—Pilots seat shock	All	1
15	41-5647								Spring—Horizontal seat adjustment	All	2
16	3-21428								Bracket—Pilots seat (LH)	SC	1
	3-13598								Bracket—Co-pilots seat (RH)	All	1
17	21-9352								Fitting—Pilots seat support	All	1
18	61-7431								Stop—Front	All	2
19	61-7431-1								Stop—Rear	All	2
20	AN7501								Cushion—Aircraft type A-3	All	1
21	074272								Cushion—Life preserver (type A-1)	All	1
22	34G1646								Belt Assembly (type B-11) GFE	All	1
	9-7512								Installation—Parachute stowage	DH	NP
	9-7512-8								Installation—Parachute stowage	AQ	NP
23	9-7512-1								Panel Assembly	DH	1
	9-7512-5								Panel Assembly	AQ	1
	6-14277-6								Strap Assembly	All	1
	6-14277-5								Strap Assembly	All	1
	6403D								Loop—Footmans (Eberhard Mfg. Co.)	All	2

FUSELAGE

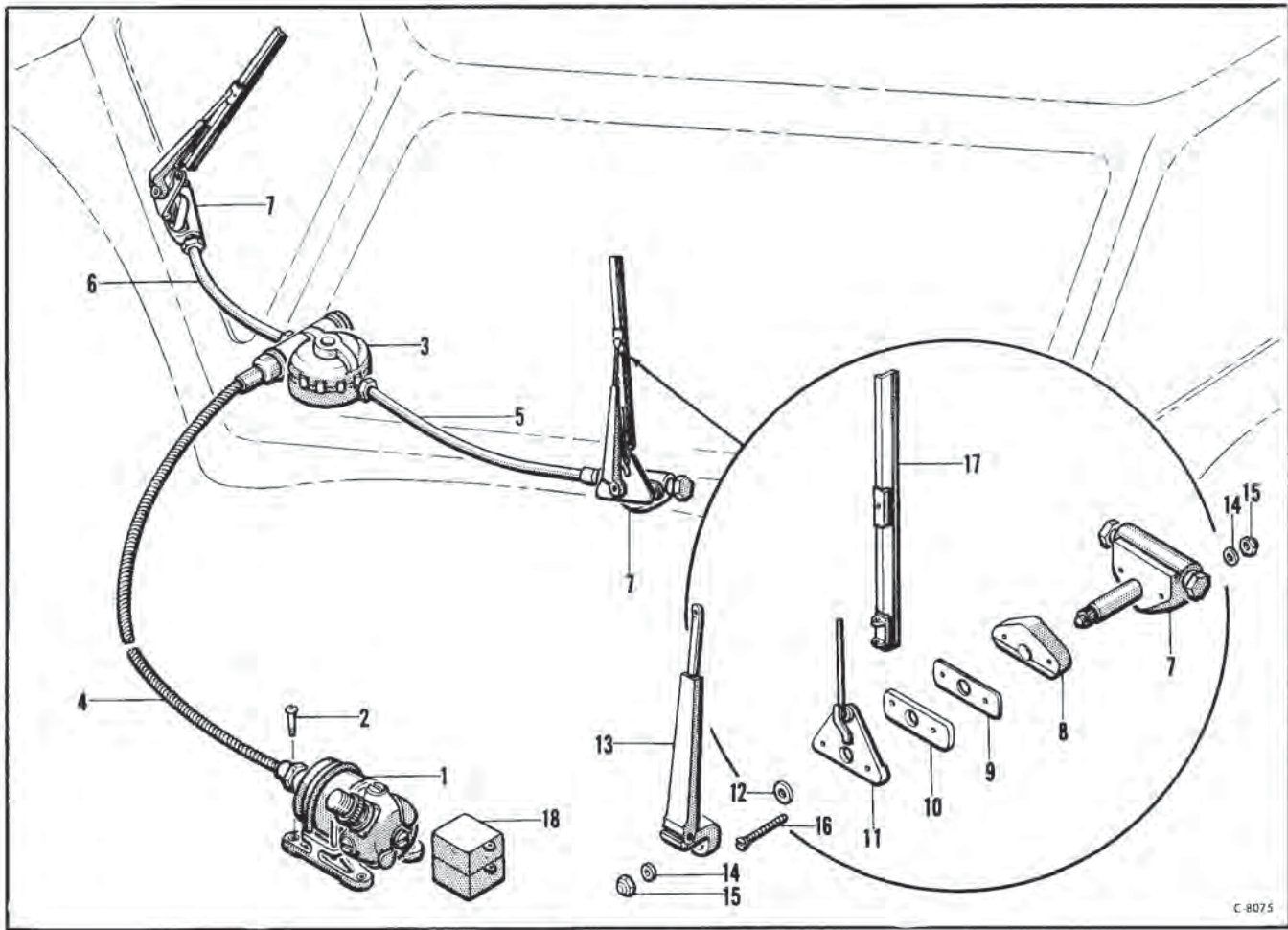


Figure 85—Windshield Wipers

Windshield Wipers

Figure & Index No.	Part Number	1 2 3 4 5 6 7	Nomenclature	Usage Code	Units Per Assy.
85-1	15-9761		Installation—Windshield wipers	DD	NP
	D12364		Motor Assembly—Electric wire (Marquette Metal Products)	DD	1
	1071535		Brush Assembly (Delco Products Corp.)	DD	2
2	5343971		Screw—Brush inner (Delco Products Corp.)	DD	2
	5368691		Screw—Brush outer (Delco Products Corp.)	DD	2
	5368644		Armature Assembly (Delco Products Corp.)	DD	1
	AN3-6A		Bolt—Aircraft	DD	4
	15-9761-1		Converter Assembly	DD	1
3	15-9761-14		Converter Assembly	DD	1
	D12184		Converter Assembly—Windshield wiper torque (Marquette Metal Prod.) (see fig. 86)	DD	1
	3-16934		Bracket—Converter support	DD	1
4	6-19436		Bracket—Converter support	DD	1
	A14765		Shaft Assembly—Flex drive (Marquette Metal Products)	DD	1
	15-9761-2		Unit Assembly—Wiper LH	DD	1
5	15-9761-12		Unit Assembly—Wiper LH	DD	1
	15-9761-3		Unit Assembly—Wiper RH	DD	1
	15-9761-13		Unit Assembly—Wiper RH	DD	1
	D14770		Control Assembly LH (Marquette Metal Products)	DD	1
	D15897		Control Assembly LH (Marquette Metal Products)	DD	1
6	D14776		Control Assembly RH (Marquette Metal Products)	DD	1
	D15898		Control Assembly RH (Marquette Metal Products)	DD	1
	B14767		Unit Assembly—Wiper drive (Marquette Metal Products)	DD	1
8	3-16933-1		Filler—Wiper unit	DD	3
	B50088		Gasket (Marquette Metal Products)	DD	2
9	A14771		Plate—Support (Marquette Metal Products)	DD	2
	15-9761-15		Plate	DD	2
11	A14773		Plate Assembly—Mounting (Marquette Metal Products)	DD	2
	A16055		Plate Assembly—Mounting (Marquette Metal Products)	DD	2
12	B16010		Seal (Marquette Metal Products)	DD	2
13	B14091		Arm Assembly—Wiper (Marquette Metal Products)	DD	2
	B16054		Arm Assembly—Wiper (Marquette Metal Products)	DD	2
14	AN960C10L		Washer—Plain	DD	2
15	AN368-1032		Nut—Self-locking	DD	6
16	AN510R44		Screw—Flat head	DD	4
17	B12180		Blade Assembly—Wiper (Marquette Metal Products)	DD	2
18	CA275X		Condenser (P. R. Mallory Co.)	DD	2

FUSELAGE

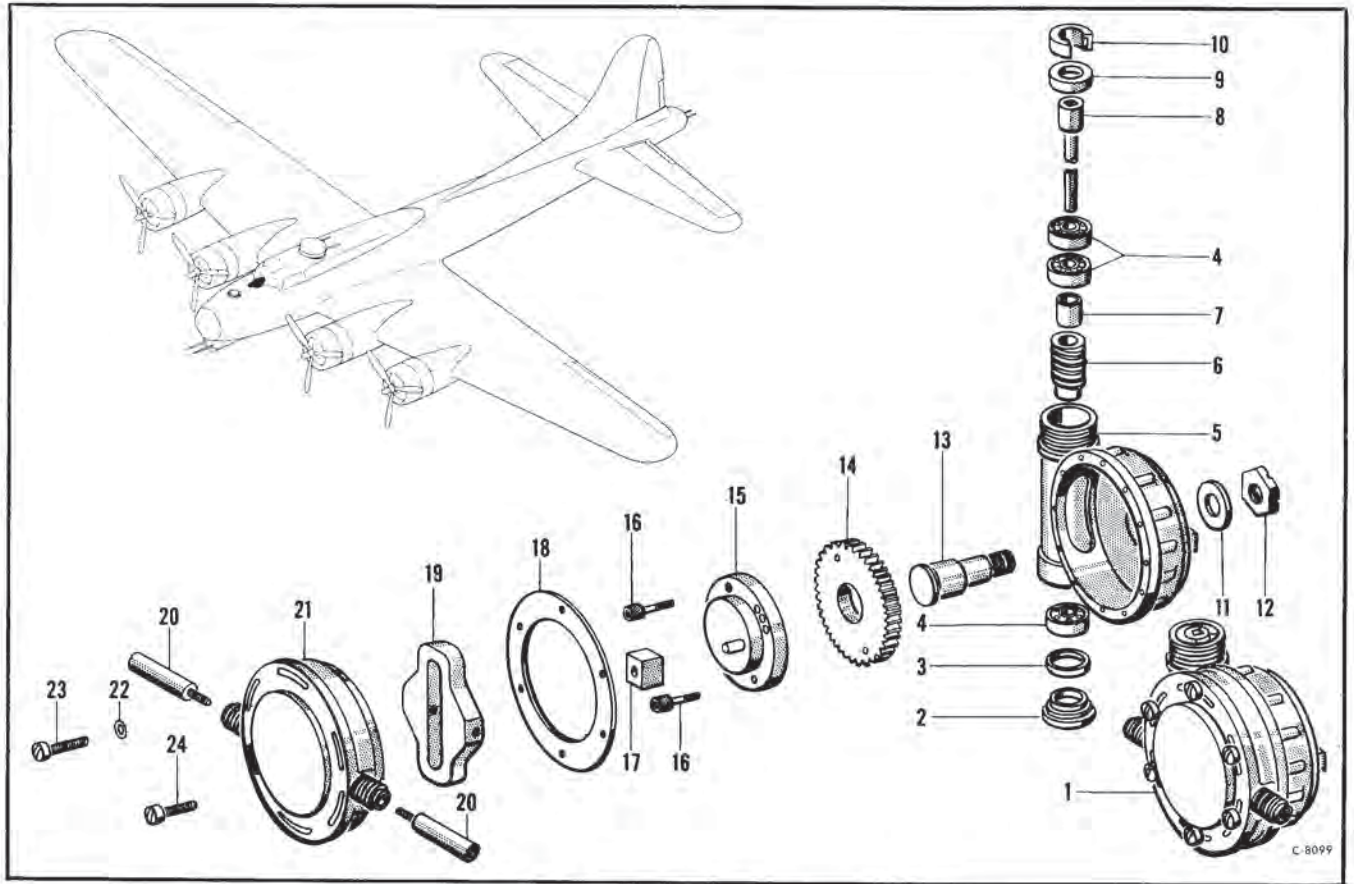
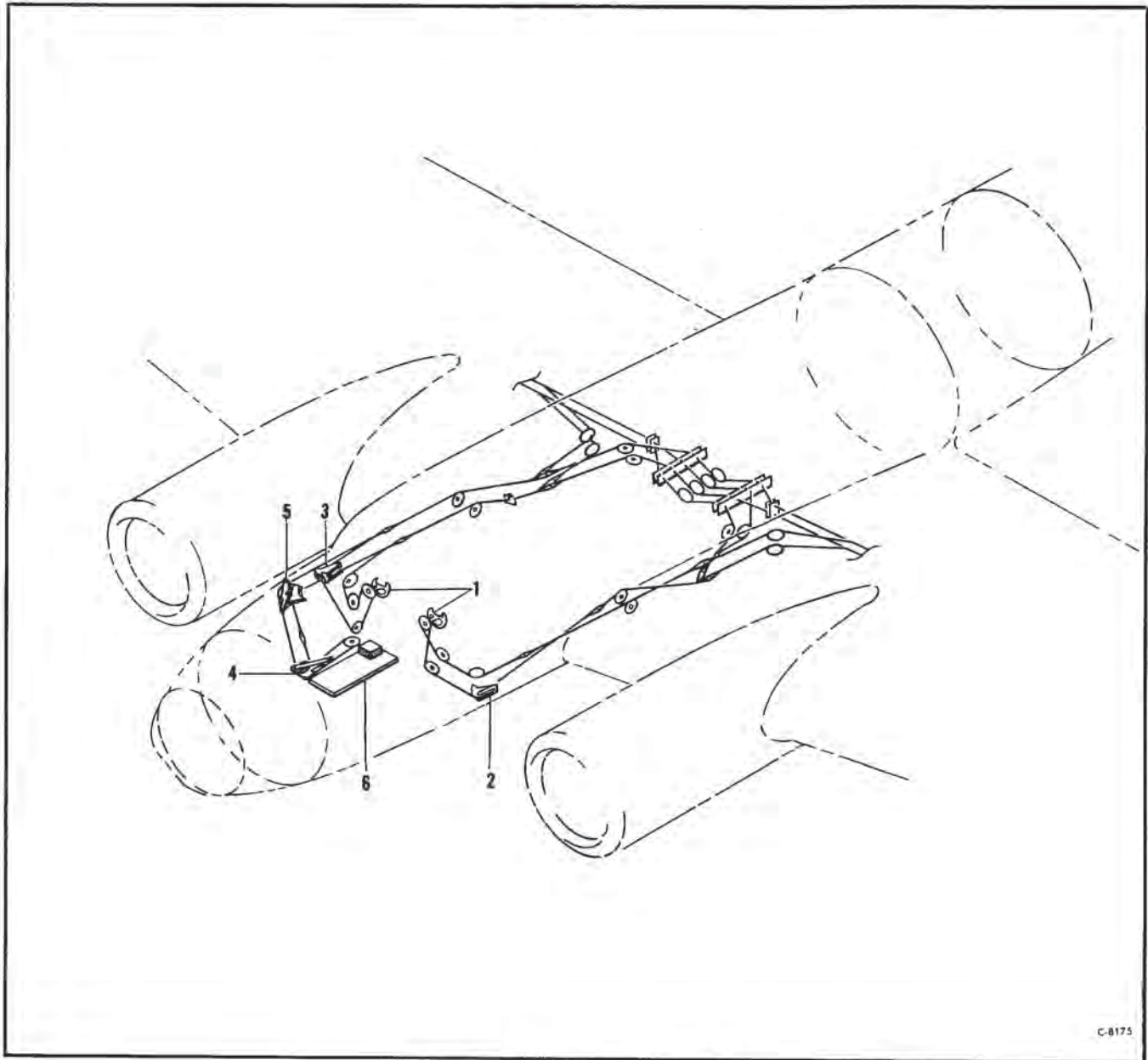


Figure 86—Windshield Wiper Converter

Windshield Wiper Converter

Figure & Index No.	Part Number	1 2 3 4 5 6 7	Nomenclature	Usage Code	Units Per Assy.
86-1	D12184		Windshield Wiper Converter		
2	A12835		Converter Assembly (Marquette Metal Products) (see fig. 85)	QD	Ref
3	A12978		Nut	QD	1
4	A14623		Gasket	QD	1
5	A13516		Bearing—Ball	QD	3
6	B15468		Housing Assembly	QD	1
7	A15274		Scraper	QD	2
8	A15419		Worm	QD	1
9	A12493		Pin—Worm drive	QD	1
10	B15418		Spacer	QD	1
11	A12494		Shaft—Drive	QD	1
12	A15112		Spacer	QD	1
13	A13512		Seal—Oil	QD	1
14	AN320D4		Washer	QD	1
15	A13513		Nut—Aircraft shear	QD	1
16	B14555		Stud	QD	1
17	B12496		Gear—Worm	QD	1
18	A14234		Plate—Adapter	QD	1
19	A12204		Screw—Cap	QD	2
20	A12206		Block—Bearing	QD	1
21	A12202		Gasket	QD	1
22	A12203		Yoke—Scotch	QD	1
23	D12201		Rod—Yoke	QD	2
24	A12199		Plate—Cover	QD	1
	A15502		Washer	QD	6
	A14578		Screw	QD	2
			Screw	QD	4

FUSELAGE



C-8173

Figure 87—Aileron Controls

Aileron Controls

Figure & Index No.	Part Number	1	2	3	4	5	6	7	Nomenclature	Usage Code	Units Per Assy.
	15-11162								Aileron Controls		
	15-8538								Installation—Aileron control	All	NP
87-1	15-10960-1								Installation—Aileron and elevator control column (see fig. 91)	All	NP
	15-10973-1								Bracket Assembly—Aileron control (LH) (see fig. 71)	All	Ref
3	9-5640-1								Bracket Assembly—Aileron control (RH) (see fig. 71)	All	Ref
4	9-5642-1								Bracket Assembly—Aileron servo (see fig. 68)	All	Ref
5	3-15185								Bracket Assembly—Aileron servo (see fig. 68)	All	Ref
6									Installation—Aileron servo and converter unit (see fig. 98)	All	NP

FUSELAGE

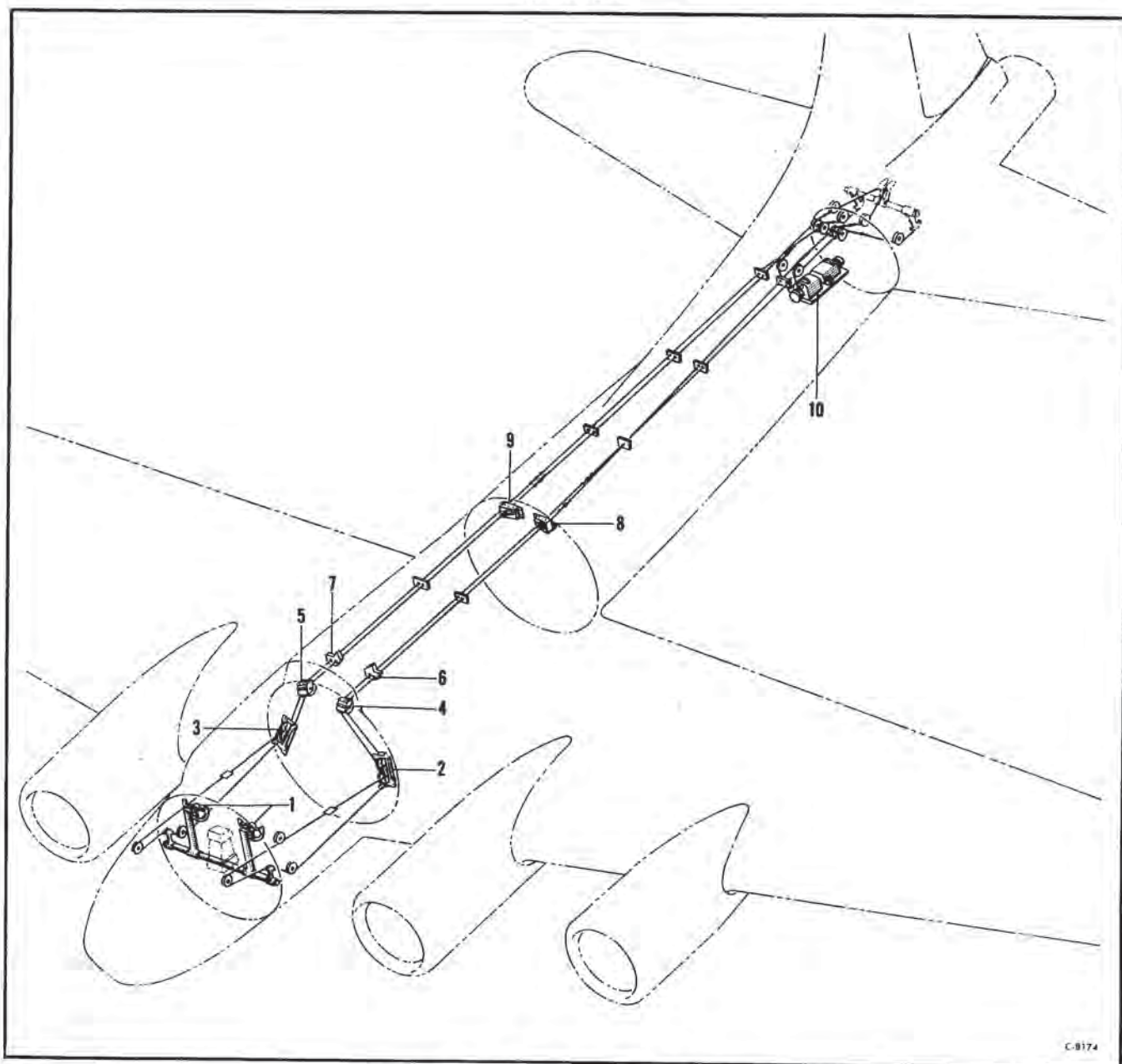


Figure 88—Elevator Controls

Elevator Controls

Figure & Index No.	Part Number	1	2	3	4	5	6	7	Nomenclature	Usage Code	Units Per Assy.
	55-7032								Elevator Controls		
	15-8538								Installation—Elevator control	All	NP
88-1	15-11921-2								Installation—Aileron and elevator control col (see fig. 91)	All	NP
2	15-11921-3								Bracket Assembly—Elevator and rudder (LH) (see fig. 68)	KJ	Ref
3	9-6611-2								Bracket Assembly—Elevator and rudder (RH) (see fig. 68)	KJ	Ref
4	9-6611-3								Bracket Assembly—Elevator and rudder (LH) (see fig. 68)	KJ	Ref
5	9-6611-3								Bracket Assembly—Elevator and rudder (RH) (see fig. 68)	KJ	Ref
6	9-6608-2								Bracket Assembly—Elevator and rudder (LH) (see fig. 71)	KJ	Ref
7	9-6608-3								Bracket Assembly—Elevator and rudder (RH) (see fig. 71)	KJ	Ref
8	3-13454								Bracket—Control cable pulley (LH) (see fig. 71)	All	Ref
9	3-13454-1								Bracket—Control cable pulley (RH) (see fig. 71)	All	Ref
10	3-15184								Installation—Rudder and elevator servo unit (see fig. 98)	All	NP

C-8174

FUSELAGE

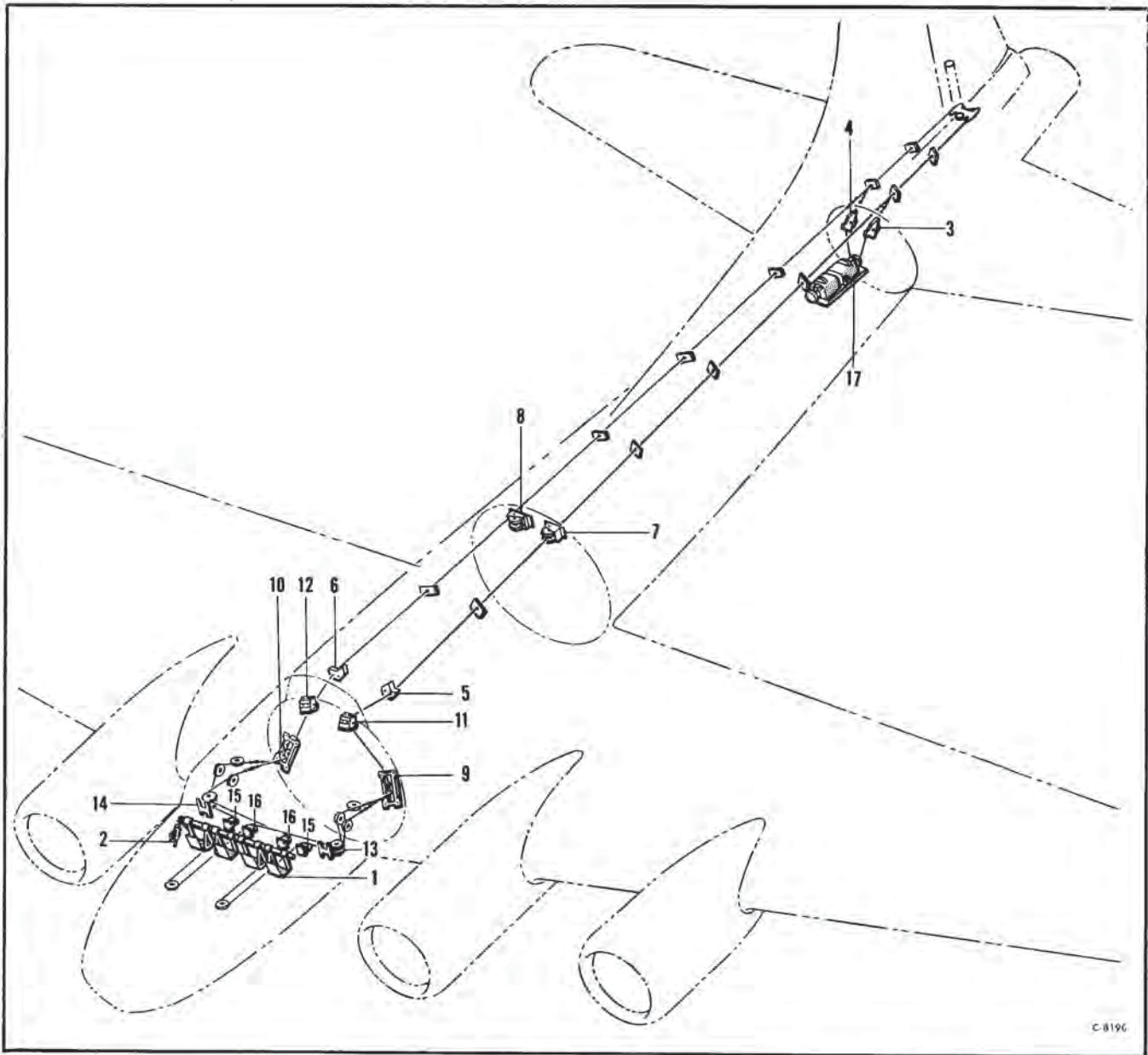


Figure 89—Rudder Controls

Rudder Controls

Figure & Index No.	Part Number	1 2 3 4 5 6 7	Nomenclature	Usage Code	Units Per Assy.
89-1	55-7031		Rudder Controls	All	NP
2	75-3508		Installation—Rudder control	AH	NP
3	64-1600		Installation—Rudder pedals (see fig. 92)	All	NP
4	6-11307-17		Installation—Brake control (see fig. 93)	All	NP
5	6-11307-1		Bracket Assembly—Rudder servo (LH) (see fig. 75)	All	Ref
6	9-6608-2		Bracket Assembly—Rudder servo (RH) (see fig. 75)	All	Ref
7	9-6608-3		Bracket Assembly (LH) (see fig. 71)	KJ	Ref
8	3-13454		Bracket Assembly (RH) (see fig. 71)	KJ	Ref
9	3-13454-1		Bracket—Pulley (LH) (see fig. 71)	All	Ref
10	15-11921-2		Bracket—Pulley (RH) (see fig. 71)	All	Ref
11	15-11921-3		Bracket Assembly—Elevator and rudder (LH) (see fig. 68)	KJ	Ref
12	9-6611-2		Bracket Assembly—Elevator and rudder (RH) (see fig. 68)	KJ	Ref
13	9-6611-3		Bracket Assembly—Elevator and rudder (LH) (see fig. 68)	KJ	Ref
14	15-12784-1		Bracket Assembly—Elevator and rudder (RH) (see fig. 68)	KJ	Ref
15	15-12784-2		Bracket Assembly—Rudder control (LH) (see fig. 66)	DK	Ref
16	15-12784-3		Bracket Assembly—Rudder control (RH) (see fig. 66)	DK	Ref
17	15-12784-4		Bracket Assembly—Rudder control (LH) (see fig. 66)	DK	Ref
	3-15184		Bracket Assembly—Rudder control (RH) (see fig. 66)	DK	Ref
			Installation—Rudder and elevator servo unit (see fig. 98)	All	NP

FUSELAGE

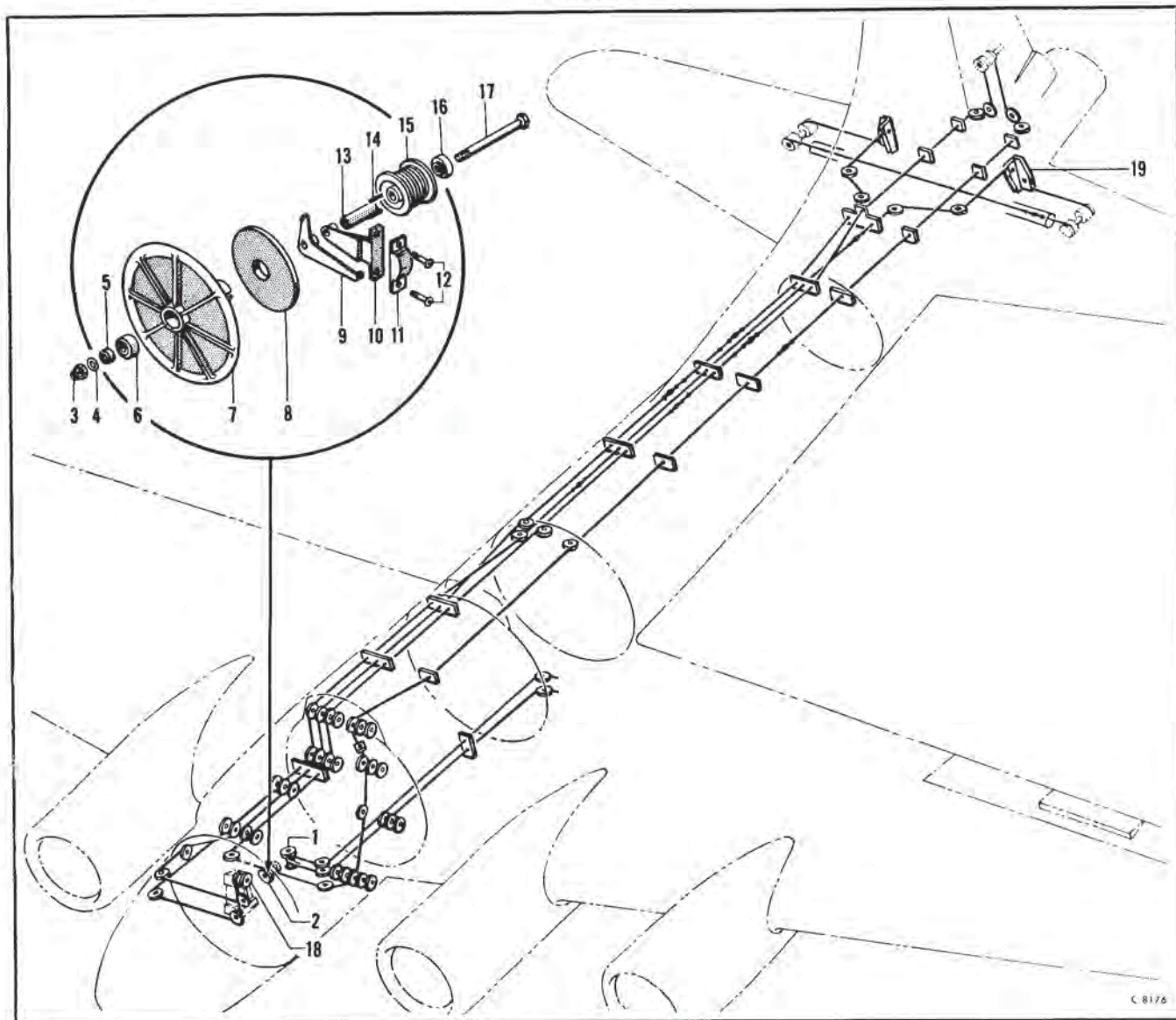


Figure 90—Tab Controls

Tab Controls

Figure & Index No.	Part Number	1	2	3	4	5	6	7	Nomenclature	Usage Code	Units Per Assy.
	55-7034								Tab Controls	All	NP
	56-4965-504								Installation—Aileron rudder and elevator trim tabs	All	NP
90-1	56-4965-506								Installation—Aileron tab control	All	1
2	9-5311								Control Assembly—Aileron tab (see fig. 94)	All	NP
3	AN310-4								Installation—Rudder tab control	All	1
4	AN960D416								Nut—Aircraft castle	All	1
5	BAC1604-12								Washer—Plain	All	1
	6-12616								Spacer	All	1
6	AN200K4								Wheel Assembly—Rudder tab control	All	1
7	6-13126								Bearing—Heavy duty	All	1
8	3-19010								Wheel—Rudder tab control	All	1
9	3-16987-4								Disc—Actuating	All	1
10	1-25593								Pointer Assembly—Tab indicator	All	1
11	1-25592								Support—Pointer assembly	All	1
12	525-10-11								Plate—Rudder tab indicator	All	2
13	1-29694								Screw—Washer head	All	1
14	BAC1001-18								Spacer—Rudder tab control	All	2
15	51-118-3								Key	All	1
16	AN200K4								Drum Assembly	All	1
17	AN4-44								Bearing—Heavy duty	All	1
18									Bolt—Aircraft	All	1
19	6-9340-2								Elevator Trim Tab Unit (see fig. 103)	All	Ret
									Bracket Assembly—Elevator tab (see fig. 79)		

FUSELAGE

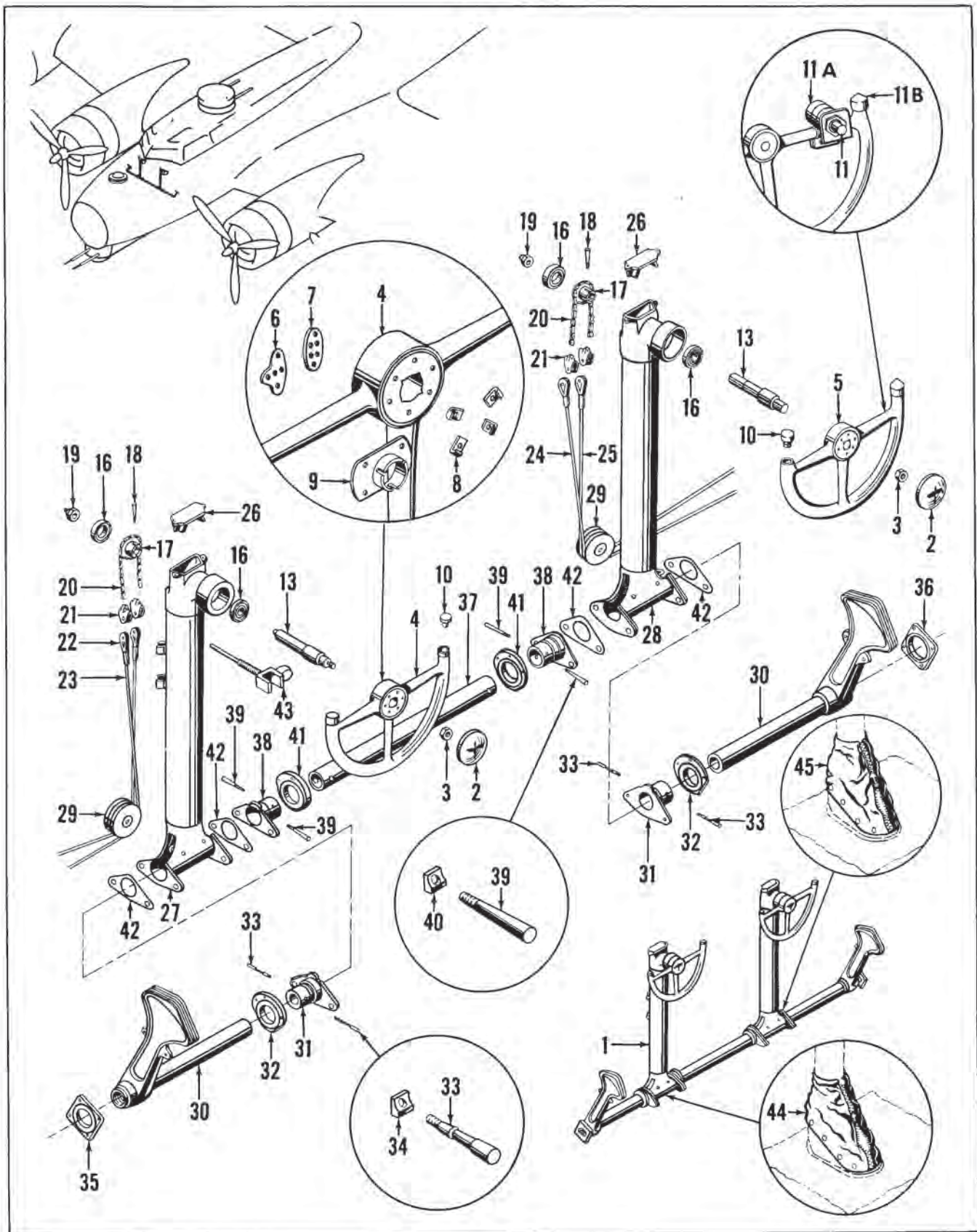


Figure 91—Control Column

T. O. 1B-17G-4

FUSELAGE

Control Column

Figure & Index No.	Part Number	1	2	3	4	5	6	7	Nomenclature	Usage Code	Units Per Assy.
	15-8538								Control Column		
									Installation—Aileron and elevator control column	All	NP
91-1	15-8538-1								Column Assembly	All	1
2	1-17998								Cap—Control wheel hub	EA	2
	3-21034-3								Cap Assembly—Control wheel	QH	2
3	AN320-10								Nut—Aircraft shear	All	2
4	6-11306								Wheel Assembly—Control column (pilots)	EA	1
	6-11306-6								Wheel Assembly—Control column (pilots)	KH	1
	6-11306-8								Wheel Assembly—Control column (pilots)	DK	1
5	6-11306-1								Wheel Assembly—Control column (co-pilots)	EA	1
	6-11306-7								Wheel Assembly—Control column (co-pilots)	KH	1
	6-11306-9								Wheel Assembly—Control column (co-pilots)	DK	1
	AC168-4								Wheel—16 in. aircraft (pilots) (American Hard Rubber)	All	1
	AC168-3								Wheel—16 in. aircraft (co-pilots) (American Hard Rubber)	All	1
6	1103								Panel Assembly (used on 6-11306, -1, -6 & -7 only) (Korry Mfg. Co.)	TA	1
7	3-24684								Panel—Microphone switch (used on 6-11306-8 & -9 only)	DK	1
8	1-26415								Clip—Spring (used on 6-11306 & -1 only)	EA	4
9	6-14649								Base—Wheel cap (used on 6-11306-6, -7, -8 & -9 only)	QH	1
10	A219-95A								Plug (American Hard Rubber Co.)	All	1
11	3Z7990-26								Switch—Microphone (Type SA-26/U)	All	2
11A	45B3418-1								Bracket—Switch Mounting	All	2
11B	48172								Button—Plug	All	2
12	Deleted										
13	1-21347								Shaft—Control column	All	2
14	Deleted										
15	Deleted										
16	AN201K16A								Bearing—Metal shielded ball	All	4
17	41-2834-1								Sprocket—Control column	All	2
18	AN386-2-10								Pin—Threaded taper	All	2
	AN975-3								Washer—Taper pin	All	2
	AN320-3								Nut—Aircraft shear	All	2
19	BAC1099-10B								Nut	All	2
20	85-3540-703								Chain Assembly	All	2
	40								Chain (Rex)	All	1
	40								Link—Connector (Rex)	All	1
21	51-97								Stop—Cable control	All	4
22	BAC1824-610-1039								Cable Assembly	All	1
23	BAC1824-610-837								Cable Assembly	All	1
24	BAC1824-607-1081								Cable Assembly	All	1
25	BAC1824-607-901								Cable Assembly	All	1
26	41-9817								Guard—Aileron chain	All	4
27	15-8538-2								Tube Assembly—LH	TP	1
	15-8538-16								Tube Assembly—LH	RC	1
28	15-8538-3								Tube Assembly—RH	TP	1
	15-8538-17								Tube Assembly—RH	RC	1
29	1-17389								Pulley—Roller bearing	All	4
	15-8538-11								Tube Assembly—LH	All	1
	15-8538-12								Tube Assembly—RH	All	1
30	85-3540-601								Tube Assembly	All	1
31	3-11870								Sleeve—Column support bearing	All	1
32	41-9811								Bearing—Control column	All	1
	A546								Bearing—Ball (Federal Bearing)	All	1
33	1-16755								Pin—Special taper	All	2
34	41-9808								Washer—Control column	All	2
	AN320-4								Nut—Aircraft shear	All	2
35	21-9360								Bearing Assembly—Control column (LH)	All	1
36	21-9360-1								Bearing Assembly—Control column (RH)	All	1
	A546								Bearing—Ball (Federal Bearing)	All	1
	15-8538-10								Tube Assembly	All	1
37	85-3540-706								Tube	All	1
38	3-11870								Sleeve—Column support bearing	All	2
39	AN386-3-18								Pin—Threaded taper	All	4
40	41-9808								Washer—Control column	All	4
	AN320-4								Nut—Aircraft shear	All	4
41	41-9811								Bearing—Control column	All	2
42	41-9338								Shim—Control column support	All	4
43	1-21350								Pin Assembly—Aileron lock	All	1
	1-21349								Spring—Aileron lock pin	All	1
	14-1681								Installation—Control column boot (LH)	All	NP
	14-1681-1								Installation—Control column boot (RH)	All	NP
44	14-1681-2								Boot Assembly (LH)	All	1
45	14-1681-3								Boot Assembly (RH)	All	1

Section I I
Group Assembly Parts List

AN 01-20EG-4

FUSELAGE

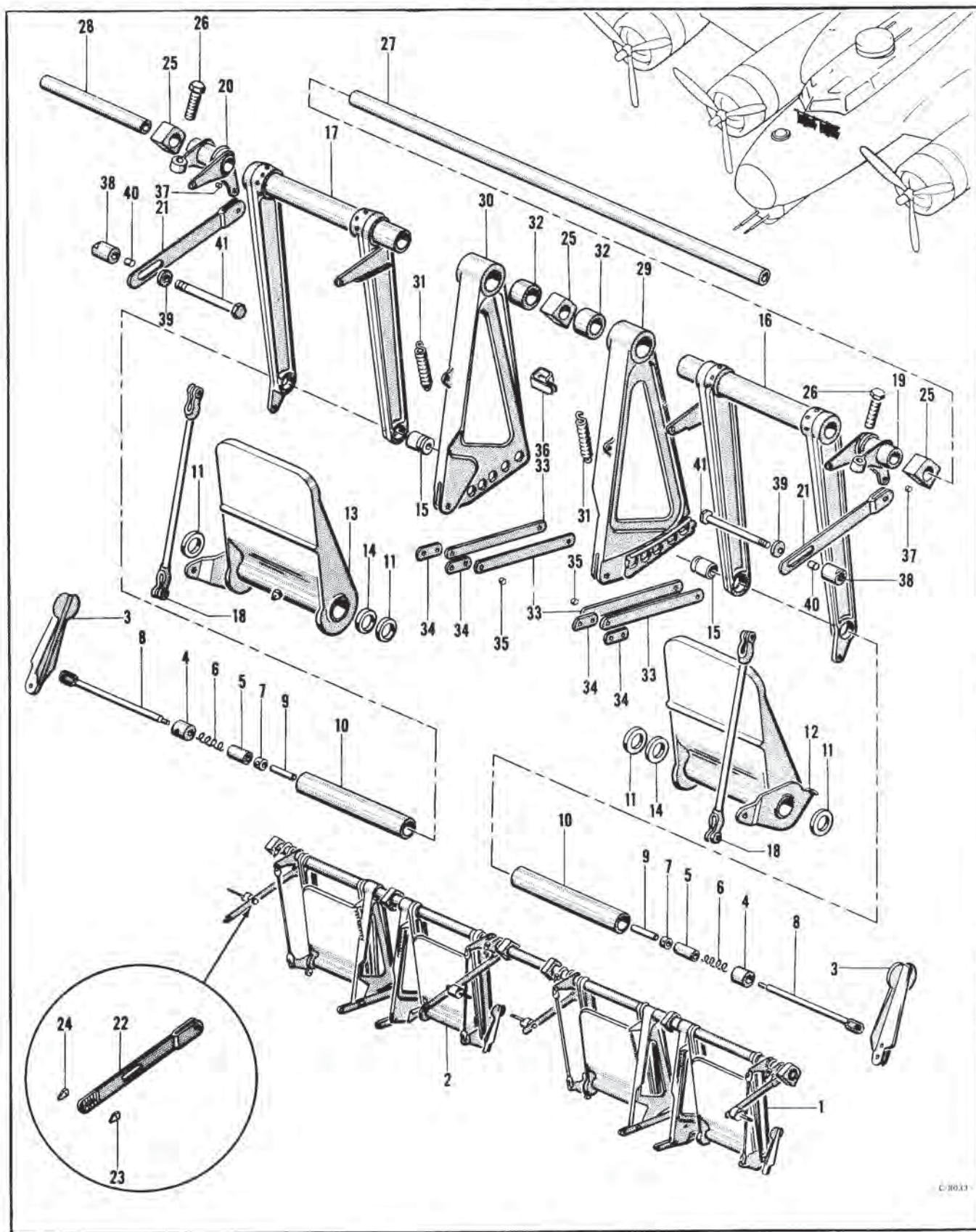


Figure 92—Rudder Pedals

AN 01-20EG-4

FUSELAGE

Rudder Pedals

Figure & Index No.	Part Number	1 2 3 4 5 6 7	Nomenclature	Usage Code	Units Per Assy.
	75-3508		Installation—Rudder pedals (see fig. 89)	All	NP
92-1	75-3508-600		Pedal Assembly (LH)	All	1
2	75-3508-601		Pedal Assembly (RH)	All	1
	43-7806		Rod Assembly—Pedal adjusting	All	2
3	3-5369		Lever—Pedal adjusting foot	All	1
4	51-424		Bushing—Adjusting pin guide	All	1
5	21-3753		Sleeve—Pedal adjusting rod	All	1
6	41-8702		Spring—Compression	All	1
7	21-3754-1		Collar—Pedal adjusting rod	All	1
8	51-421		Rod—Pedal adjusting control	All	1
	AN393-9		Pin—Flat head	All	1
9	51-427		Pin—Pedal adjusting lock	All	1
10	51-425		Shaft—Rudder pedal	All	2
11	21-2362-72-56		Washer—.051 aluminum alloy	All	4
12	46-7284		Pedal Assembly—Rudder and brake (LH)	GB	1
13	46-7284-1		Pedal Assembly—Rudder and brake (RH)	GB	1
	46-7284-402		Pedal Assembly—Rudder and brake (LH)	PL	1
	46-7284-403		Pedal Assembly—Rudder and brake (RH)	PL	1
	AN286-1		Lubricator—Pressure-grip type PT	All	1
14	21-2364-72-56		Washer	All	2
15	51-426		Spool—Adjusting pin guide	All	1
16	59-1724		Stirrup Assembly—Rudder pedal (LH)	All	1
17	59-1724-1		Stirrup Assembly—Rudder pedal (RH)	All	1
	21-2136		Bushing	All	1
	21-2136-2		Bushing	All	1
	AN286-1		Lubricator—Pressure-grip type PT	All	4
18	21-2169		Rod Assembly—Brake control	All	2
19	3-9774-7		Lever Assembly—Brake control (LH)	All	1
20	3-9774-8		Lever Assembly—Brake control (RH)	All	1
21	1-18421		Link Assembly—Brake stop (LH only)	All	2
22	3-13486		Link Assembly—Brake stop (RH only)	All	2
23	1-16061		Stop—Brake control (LH only)	All	2
24	1-16061-1		Stop—Brake control (RH only)	All	2
25	41-9606		Support	All	3
26	41-4691-1		Bolt—Brake control	All	2
27	21-2226-2		Shaft—Rudder pedals	All	1
28	51-454-7-0		Connector—Tube (on 75-3508-600 only)	All	1
29	6-8145		Quadrant Assembly—Rudder pedal adjusting (LH)	All	1
30	6-8145-1		Quadrant Assembly—Rudder pedal adjusting (RH)	All	1
31	41-1216		Spring—Stirrup control	All	2
32	51-423-1-0		Spacer	All	2
33	21-5179		Link—Cable	All	4
34	21-5179-2		Link—Cable	All	4
35	BAC326-34S		Bushing—Bearing	All	2
36	21-4585-42-12		Clamp	All	1
37	BAC274S3-9		Bushing—Bearing	All	1
38	1-27741		Spacer—1-4 bolt	All	4
39	21-2363-48-17		Washer—.063 steel	All	4
40	BAC326-15S		Bushing—Bearing	All	4
41	AN4-36A		Bolt—Aircraft	All	4

Section I I
Group Assembly Parts List

AN 01-20EG-4

FUSELAGE

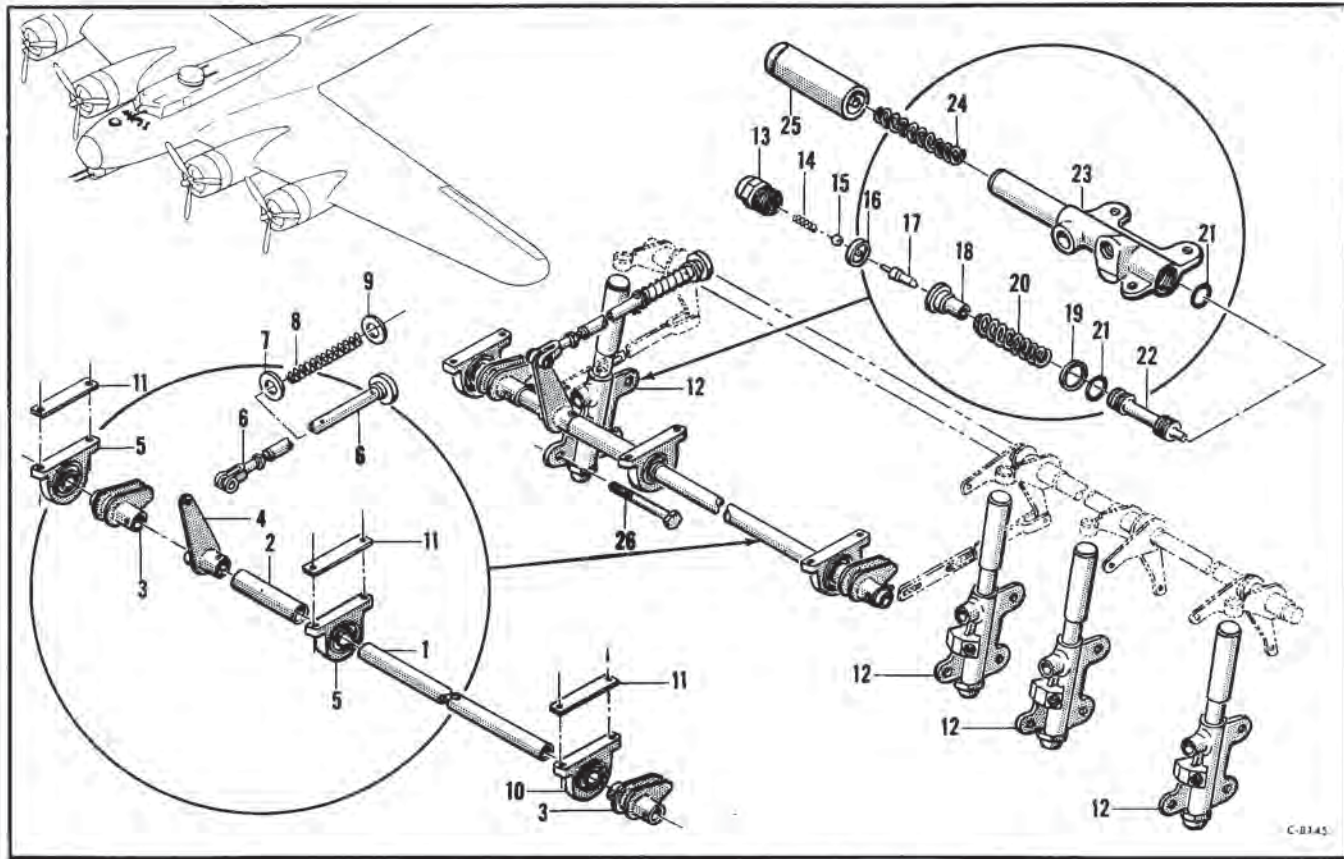


Figure 93—Brake Control

Brake Control

Figure & Index No.	Part Number	1 2 3 4 5 6 7	Nomenclature	Usage Code	Units Per Assy.
	64-1600		Installation—Brake control	All	NP
	54-1600-500		Shaft Assembly—Parking brakes	All	1
93-1	51-704		Tube—Brake control	All	1
2	51-466-2-62		Spacer	All	1
3	41-4543-5		Arm Assembly—Brake control	All	2
4	41-4544		Arm Assembly—Brake control	All	1
5	41-9411		Bearing Assembly—Brake control	All	2
	AN201K12A		Bearing—Ball	All	1
6	21-7196-14		Rod Assembly—Control	All	1
	41-9960		Knob—Parking brake	All	1
	AN486-4		Clevis—Rod end adjusting	All	1
7	21-2364-48-33		Washer—.064 dural	All	1
8	21-7468		Spring—Compression	All	1
9	41-9501-32-17		Washer—1-8 neoprene	All	1
10	41-9411		Bearing Assembly—Brake control	All	1
	AN201K12A		Bearing—Ball	All	1
11	51-784		Shim—Parking brake bearing	All	AR
	51-784-1		Shim—Parking brake bearing	All	AR
	64-1600-600		Valve Assembly—Wheel brake (LH outboard)	All	1
	64-1600-601		Valve Assembly—Wheel brake (RH inboard)	All	1
	64-1600-602		Valve Assembly—Wheel brake (RH outboard)	All	1
	64-1600-603		Valve Assembly—Wheel brake (LH inboard)	All	1
12	3-9584-4		Valve Assembly (LH outboard and RH inboard only)	All	1
	3-9584-5		Valve Assembly (RH outboard and LH inboard only)	All	1
13	1-21028		Cap—End wheel brake	All	1
14	41-3724		Spring—Compression	All	1
15	3-9584-3		Ball—Steel	All	1
16	41-3711		Ball—Ball wheel brake	All	1
17	41-3712-1		Seat—Ball wheel brake	All	1
18	41-3713-1		Pintle—Wheel brake	All	1
19	41-6189-1		Guide—Pintle wheel brake	All	1
20	41-9384		Washer—Wheel brake	All	1
21	AN6227-11		Spring—Compression	All	1
22	3-22434		Packing—"O" ring hydraulic	All	2
23	3-14243		Piston—Brake valve	All	1
	3-14243-1		Cylinder—Wheel brake (used on 3-9584-4 only)	All	1
	41-3722		Cylinder—Wheel brake (used on 3-9584-5 only)	All	1
24	41-6187-1		Spring—Compression	All	1
25	AN3-20A		Guide Assembly—Wheel brake	All	1
26	51-477-0-39		Bolt—Aircraft	All	12
	41-5533-0-89		Spacer	HA	12
			Spacer	JI	12

FUSELAGE

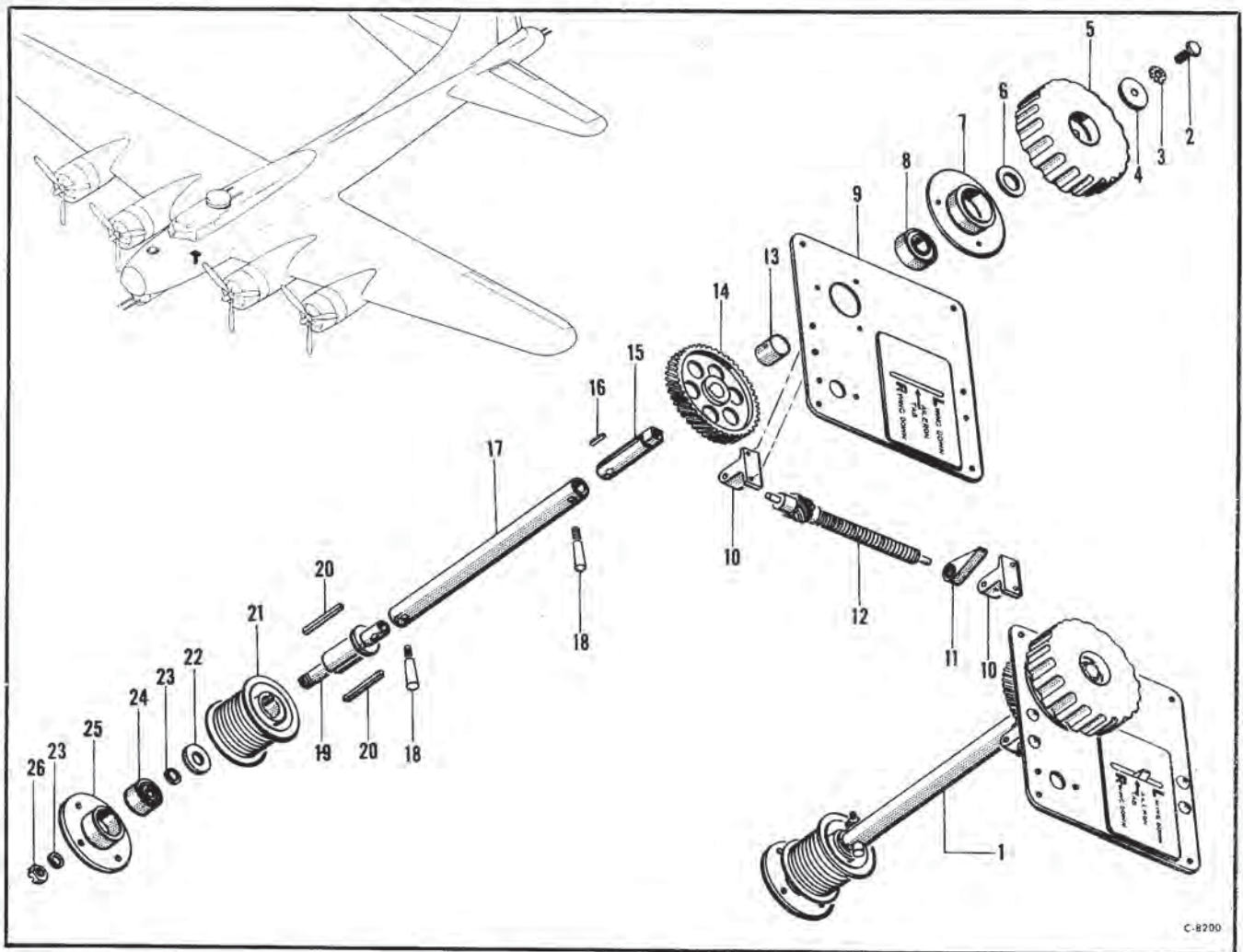


Figure 94—Aileron Tab Control Assembly

Aileron Tab Control Assembly

Figure & Index No	Part Number	1	2	3	4	5	6	7	Nomenclature	Usage Code	Units Per Assy.
94-1	56-4965-506								Control Assembly—Aileron tab (see fig. 90)	All	Ref
	56-4965-502								Housing Assembly—Upper	All	1
2	AN3-4A								Bolt—Aircraft	All	1
3	AN936B10								Washer—Lock	All	1
4	AN970-3								Washer—Flat	All	1
5	21-9885								Knob—Tab control	All	1
6	AN960-816								Washer—Plain	All	1
	21-9531-1								Housing Assembly—Upper	All	1
	21-9531-6								Housing Assembly—Upper	EA	1
7	21-9531-4								Housing—Upper	QH	1
8	AN201K8A								Bearing—Ball	All	1
9	3-12480								Plate Assembly—Aileron tab control	All	1
10	41-9774-1								Bearing—Control	All	1
11	41-9514								Pointer—Tab control	All	2
12	21-5943								Shaft Assembly—Tab control	All	1
13	BAC1608-34								Spacer	All	1
14	21-9533								Gear—Tab control	All	1
15	21-9904								Shaft—Aileron tab control	All	1
16	BAC1001-6								Key	All	1
17	56-4965-506								Tube—Aileron control tab	All	1
	56-4965-507								Tube—Aileron control tab	All	1
18	AN386-1-6								Pin—Threaded taper	All	2
	56-4965-505								Housing Assembly—Lower	All	1
19	51-126								Shaft—Aileron tab control	All	1
20	BAC1001-27								Key	All	2
21	51-118-2								Drum Assembly—Tab control	All	1
22	21-2366-68-26								Washer—Aluminum alloy	All	1
23	21-2364-40-26								Washer—Dural	All	1
	41-9974								Housing Assembly—Bearing	All	2
24	5200								Bearing—(Fafnir)	All	1
25	41-9974-1								Flange—Bearing housing	All	1
26	AN310-6								Nut—Aircraft castle	All	1

FUSELAGE

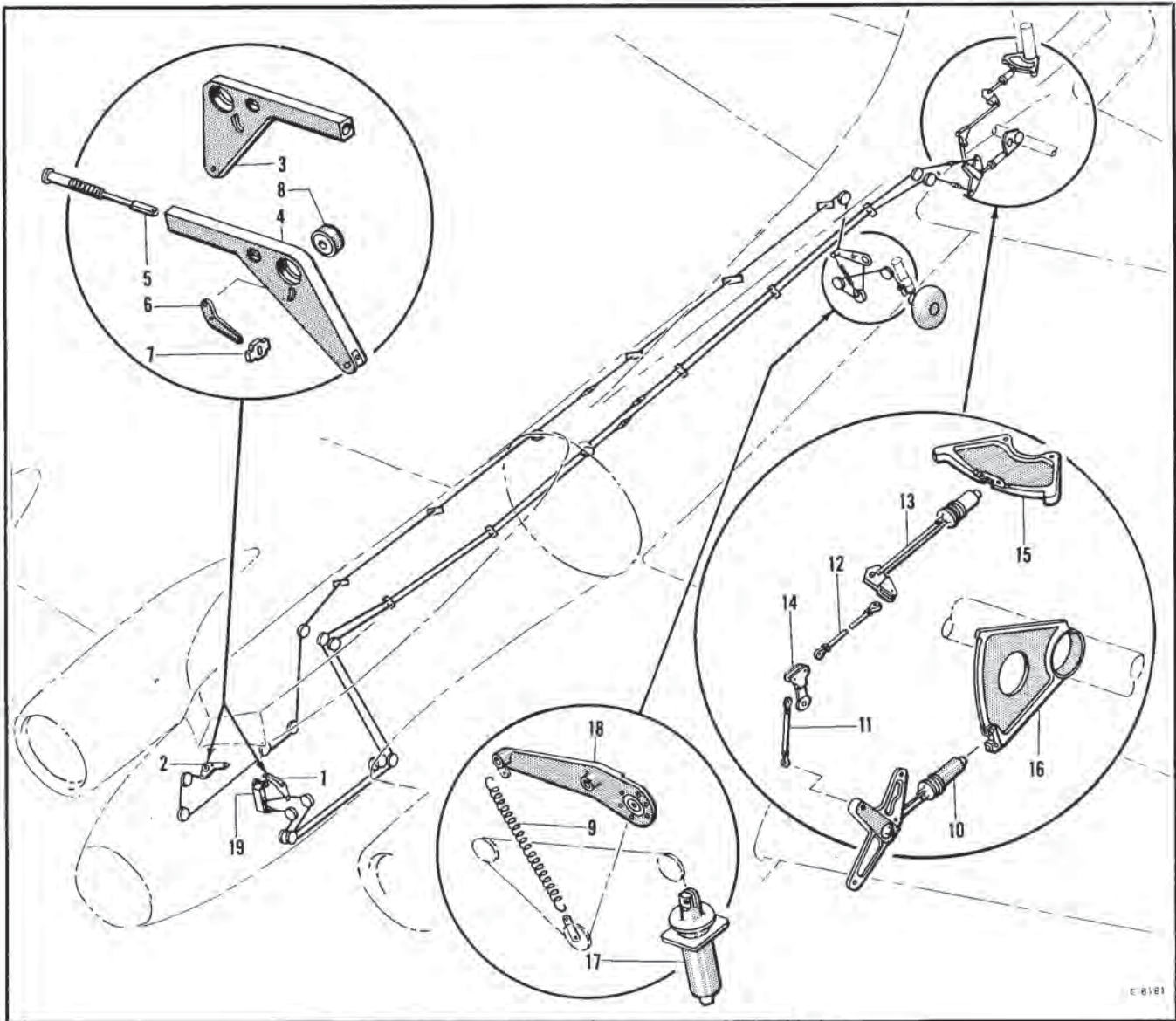


Figure 95—Tail Wheel and Surface Control Locks

Tail Wheel and Surface Control Locks

Figure & Index No.	Part Number	1	2	3	4	5	6	7	Nomenclature	Usage Code	Units Per Assy.
	15-7033								Tail Wheel and Surface Control Locks	All	NP
95-1	3-11906								Installation—Tail wheel and surface control locks	All	1
2	3-11906-1								Lever Assembly—Lock (rudder and elevator)	All	1
3	3-11908								Lever Assembly—Lock (tail wheel)	All	1
4	3-11905								Arm—Tail wheel lock (used on 3-11906-1)	All	1
5	51-157								Arm—Rudder and elevator lock (used on 3-11906)	All	1
6	51-156								Plunger Assembly—Tailwheel lock	All	1
7	41-7081-1								Lever—Surface lock	All	1
8	AN200K4								Catch—Surface lock	All	1
9	41-5972								Bearing—Heavy duty	All	1
10	7-1537								Spring—Tension	All	1
11	1-19052-6-6								Installation—Elevator lock (see fig. 96)	All	NP
12	1-18327-36-1								Rod Assembly—Control	All	1
13	9-3586								Rod Assembly—1-2 in. control	All	1
14	15-7603-6								Installation—Rudder lock (see fig. 96)	All	NP
15	3-13584								Bracket Assembly—Control (see fig. 75)	All	Ref
16	9-3590								Crank Assembly—Surface lock	All	Ref
17	9-3613								Quadrant Assembly—Rudder lock and stop (see fig. 58)	All	Ref
18	3-10080-2								Quadrant Assembly—Elevator lock and stop (see fig. 58)	All	Ref
19	43-11993								Lock Assembly—Tail wheel (see fig. 171)	All	Ref
	6-4856								Lever Assembly—Tail wheel lock (see fig. 75)	All	Ref
									Bracket Assembly—Rudder tab (see fig. 66)	All	Ref

FUSELAGE

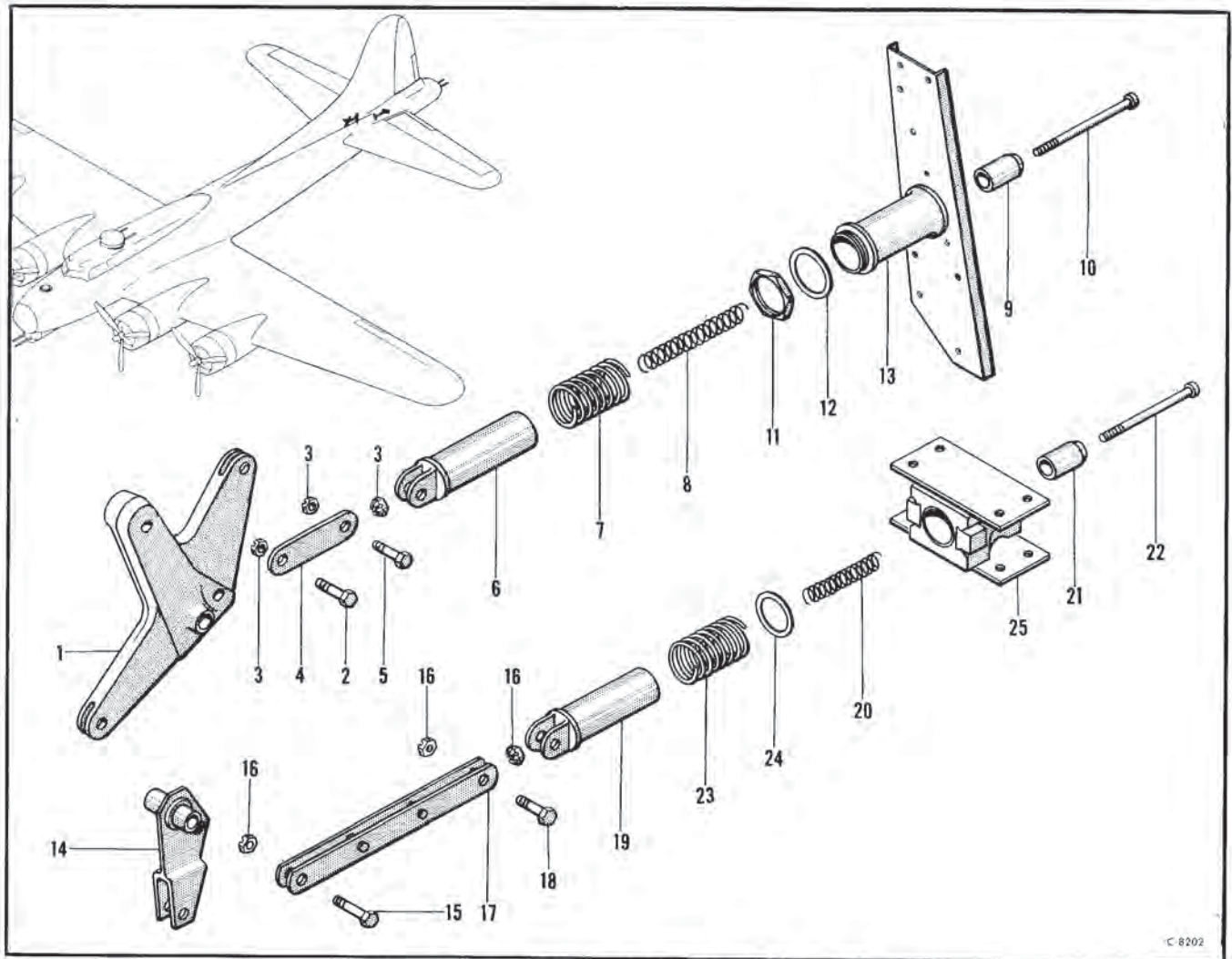


Figure 96—Rudder and Elevator Lock Units

Rudder and Elevator Lock Units

Figure & Index No.	Part Number	1 2 3 4 5 6 7	Nomenclature	Usage Code	Units Per Assy.
	7-1537		Rudder and Elevator Lock Units	All	NP
	7-1537-1		Installation—Elevator lock (see fig. 95)	All	1
96-1	7-1528		Plunger Assembly	All	1
2	AN4-12		Arm Assembly—Control surface lock	All	1
3	AN310-4		Bolt—Aircraft	All	1
4	21-9443-8		Nut—Aircraft castle	All	3
5	AN4-11		Link—Control surface lock	All	1
6	21-9441-150		Bolt—Aircraft	All	1
7	41-3560		Plunger—Control surface lock	All	1
8	1-18539		Spring—Compression	All	1
9	21-9444		Spring—Compression	All	1
10	21-6928-75		Plunger—Control surface lock	All	1
11	21-6758		Bolt—Fillister head	All	1
12	1-18652		Nut—1-4 18 lock (see fig. 75)	All	Ref
13	3-13618		Washer—Control surface lock (see fig. 75)	All	Ref
	9-3586		Channel Assembly—Elevator stop (see fig. 75)	All	Ref
	9-3586-1		Installation—Rudder lock (see fig. 95)	All	NP
14	1-18257		Lock Assembly—Rudder	All	1
15	NAS54-7-5		Crank Assembly—Rudder lock control	All	1
16	AN310-4		Bolt—Close tolerance	All	1
17	1-18491		Nut—Aircraft castle	All	3
18	NAS54-11		Link Assembly—Rudder lock	All	1
19	21-9441-100		Bolt—Close tolerance	All	1
20	41-5699		Plunger—Control surface lock	All	1
21	21-9444		Spring—Compression	All	1
22	21-6928-50		Plunger—Control surface lock	All	1
23	41-3560		Bolt—Fillister head	All	1
24	1-15573-80-61		Spring—Compression	All	1
25	15-7536-1		Washer—Retainer	All	1
	3-13625		Beam Assembly—Rudder hinge (see fig. 79)	All	Ref
			Support Assembly—Rudder lock plunger (see fig. 79)	All	Ref

Section I I
Group Assembly Parts List

AN 01-20EG-4

FUSELAGE

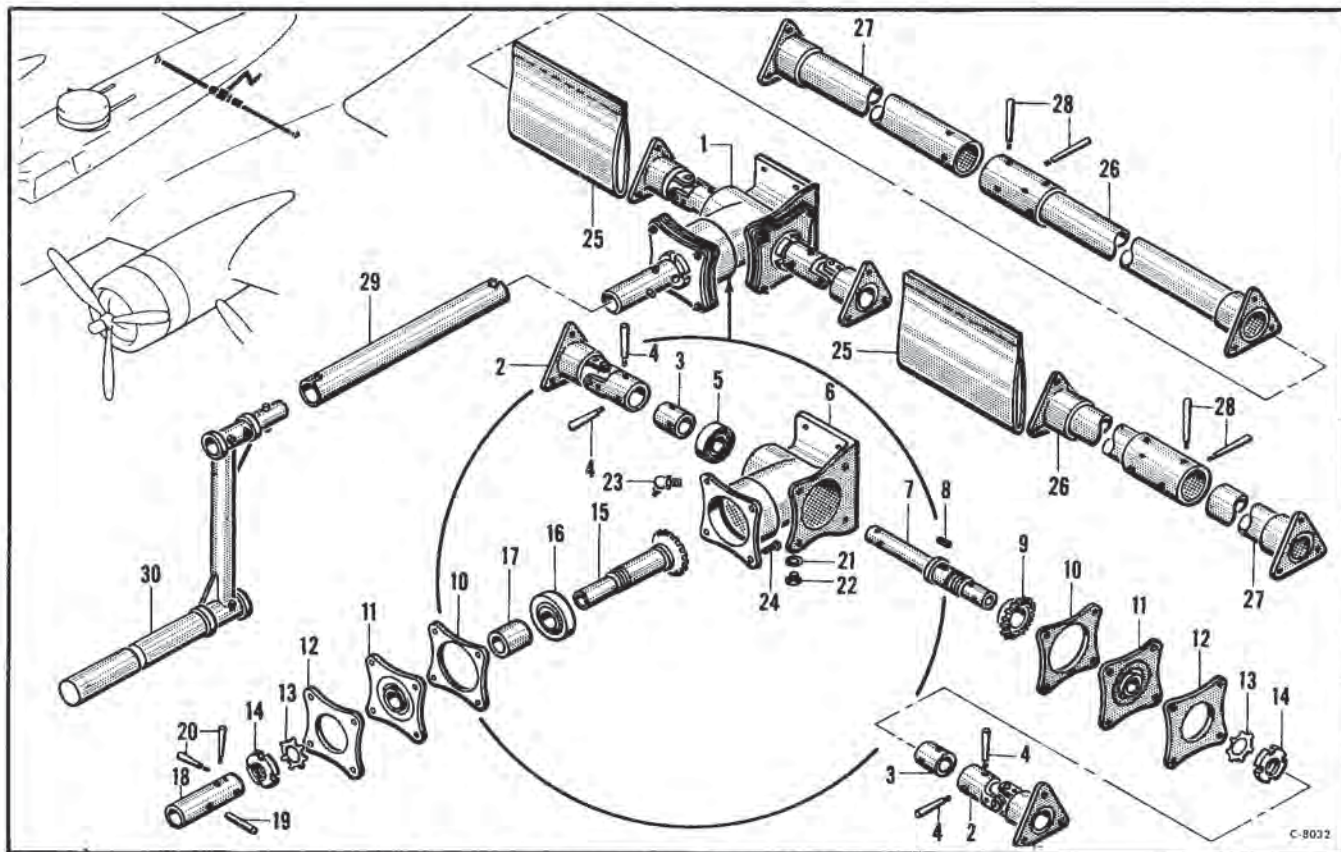


Figure 97—Wing Flap Control Mechanism

Wing Flap Control Mechanism

Figure & Index No.	Part Number	1 2 3 4 5 6 7	Nomenclature	Usage Code	Units Per Assy.
			Wing Flap Control Mechanism.....	All	NP
97-1	47-1331		Installation—Wing flap control.....	All	1
2	46-7378		Unit Assembly—Manual flap control.....	All	1
	3-19275		Joint Assembly—Flap control.....	All	1
	41-4220-1		Coupling.....	All	1
	BAC1851-16		Joint—Universal.....	GB	1
	44B6540		Joint—Universal.....	PL	1
3	1-27901		Sleeve.....	All	2
4	AN386-1-8A		Pin—Threaded taper.....	All	4
5	AN201K10A		Bearing—Metal shielded ball.....	All	1
6	46-6603		Housing—Flap control.....	All	1
7	41-1436-1		Shaft.....	All	1
8	BAC1002-8		Key.....	All	1
9	41-1434		Gear—Flap control.....	All	1
10	41-1433		Shim.....	All	2
11	41-4483		Cap Assembly—Flap control.....	All	2
	AN201K12A		Bearing—Metal shielded ball.....	All	1
12	41-2801		Plate.....	All	2
13	41-4802-1		Washer.....	All	2
14	41-4801		Nut.....	All	2
15	41-1435		Gear.....	All	1
16	AN201K12A		Bearing—Metal shielded ball.....	All	1
17	1-19034		Spacer.....	All	1
	41-7297		Terminal Assembly—Crank extension.....	All	1
18	41-7297-1		Terminal.....	All	1
19	41-7297-2		Pin.....	All	1
20	AN386-1-7A		Pin—Threaded taper.....	All	2
21	AN900-6		Gasket—Annular copper.....	All	1
22	905-6		Plug—Drilled hex.....	All	1
23	AN286-1		Lubricator—Pressure-grip type PT.....	All	8
24	AN3-7A		Bolt—Aircraft.....	All	8
	41-5918		Installation—Universal grease boot.....	GB	NP
25	41-5918-1		Boot.....	GB	1
26	47-1331-3		Tube Assembly.....	All	2
	41-5035-17-2		Tube Assembly.....	All	1
27	41-5035-35-10		Tube Assembly (approximately .25 too long and is to be trimmed on installation).....	All	2
28	AN386-1-10		Pin—Threaded taper.....	All	4
29	21-9586		Extension (see Fig. 69).....	All	Ref
30	AN4098-1		Crank—Inertia starter hand (see Fig. 69).....	All	Ref

FUSELAGE

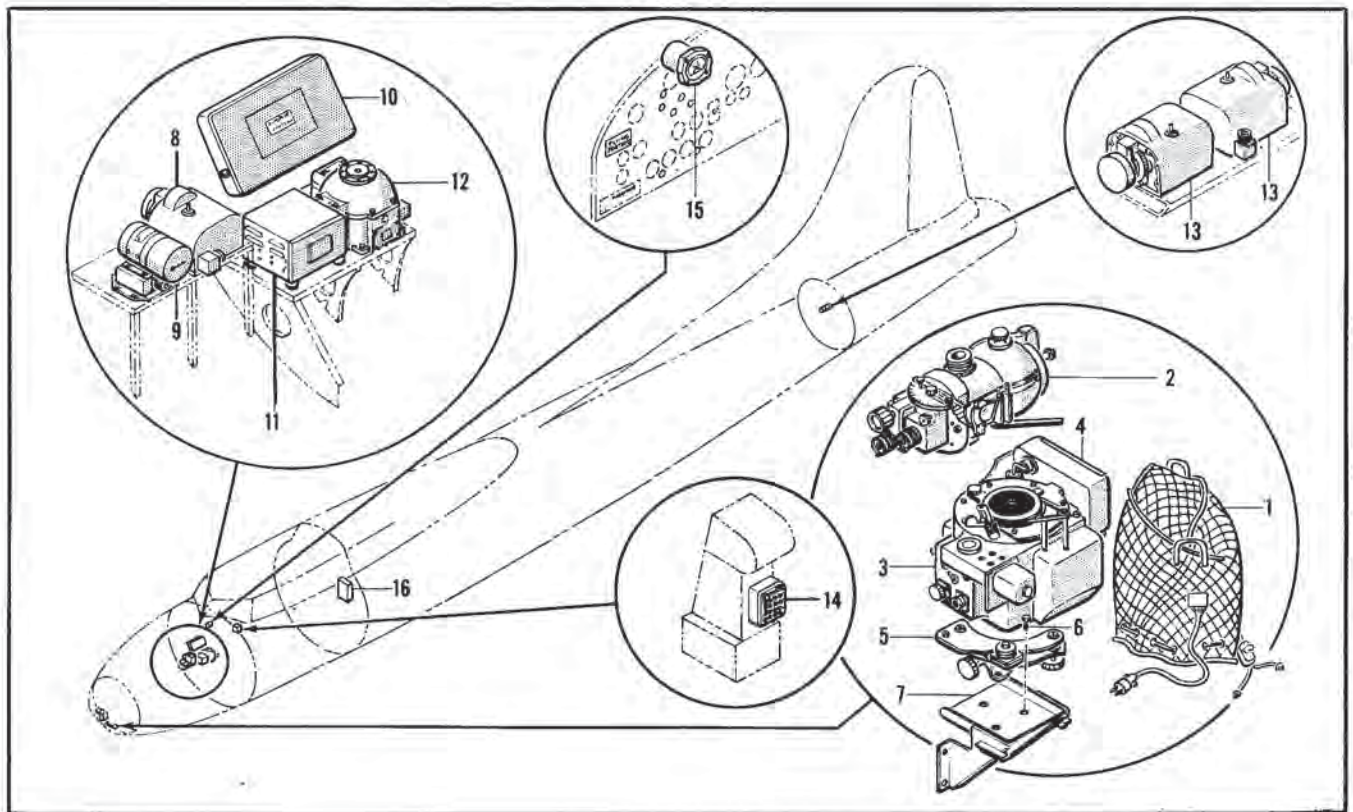


Figure 98—Automatic Flight Control Equipment

Automatic Flight Control Equipment

Figure & Index No.	Part Number	1	2	3	4	5	6	7	Nomenclature	Usage Code	Units Per Assy.
									Automatic Flight Control Equipment.		
									Installation—Model M series bombsight.	All	NP
98-1	1-21987								Bag (PDB 20616 rev no. 1)	All	1
	NO NUMBER								Bombsight—M series (Spec R24711) GFE	All	1
2	NO NUMBER								Stabilizer—Gyro-directional (Spec R24798) GFE	All	1
3	NO NUMBER								Pad—Heating (Type A-1) (Spec 40453) GFE	All	1
	NO NUMBER								Panel—Directional (Spec R24796) GFE	All	1
4	NO NUMBER								Installation—Bombsight mount.	All	NP
	9-7045								Mount—Bombsight (Type B-7) (Lovell Mfg. Co.) GFE	All	1
5	SKE11779								Bolt—Aircraft	All	3
6	AN4-7A								Installation—Bombsight support.	All	NP
	9-6775								Support Assembly—Bombsight	J	1
7	9-6776-0								Support Assembly—Bombsight	LF	1
	9-6776-8								Support Assembly—Bombsight	XM	1
	9-6776-7								Installation—Modified automatic flight control.	All	NP
	15-9266								Installation—Aileron servo and converter unit.	All	NP
	3-15185								Motor—Aileron servo (Spec 24860) GFE	QB	1
8	1-23584								Motor—Aileron servo (Spec 24860) GFE	XM	1
	1-23582								Inverter—Rotary (Spec C24862) GFE	All	1
9	NO NUMBER								Installation—Modified automatic flight control shield	All	NP
	14-3006								Shield Assembly	QB	1
	14-3006-2								Shield Assembly	WM	1
	14-3006-3								Shield Assembly	OQ	1
	14-3006-6								Shield Assembly	BR	1
10	9-6617								Shield Assembly—Terminal (Interchangeable with G1028A6CA1 Minneapolis-Honeywell)	QB	1
	9-6617-5								Shield Assembly—Terminal (Interchangeable with G1028A6CA1 Minneapolis-Honeywell)	WM	1
	9-6617-8								Shield Assembly—Terminal (Interchangeable with G1028A6CA1 Minneapolis-Honeywell)	OQ	1
	9-6617-9								Shield Assembly—Terminal (Interchangeable with G1028A6CA1 Minneapolis-Honeywell)	BR	1
	9-6612								Resistor Assembly—Card (Minneapolis-Honeywell) GFE	QB	1
	407229B								Resistor Assembly—Card (Minneapolis-Honeywell) GFE	All	3
	407220A								Installation—Modified A. F. C. E. gyro and amplifier	All	NP
11	NO NUMBER								Amplifier (Spec C24859) GFE	All	1
12	NO NUMBER								Gyro—Vertical flight (Spec C24858) GFE	All	1
	PIJA1								Cover Assembly (General Electric) GFE	All	1
	3-15184								Installation—Rudder and elevator servo unit.	All	NP
13	1-23582								Motor—Elevator servo (Spec C24860) GFE	All	2
14	NO NUMBER								Box—Pilots control (Spec C24861) (Type A-6) GFE (see Fig. 100)	All	Ref
15	NO NUMBER								Indicator—Pilots director (Spec C24863) (Type D1Z) GFE (see Fig. 109)	All	Ref
16	54-2079								Shield—Station 4 fuse (see Fig. 111)	All	Ref

FUSELAGE

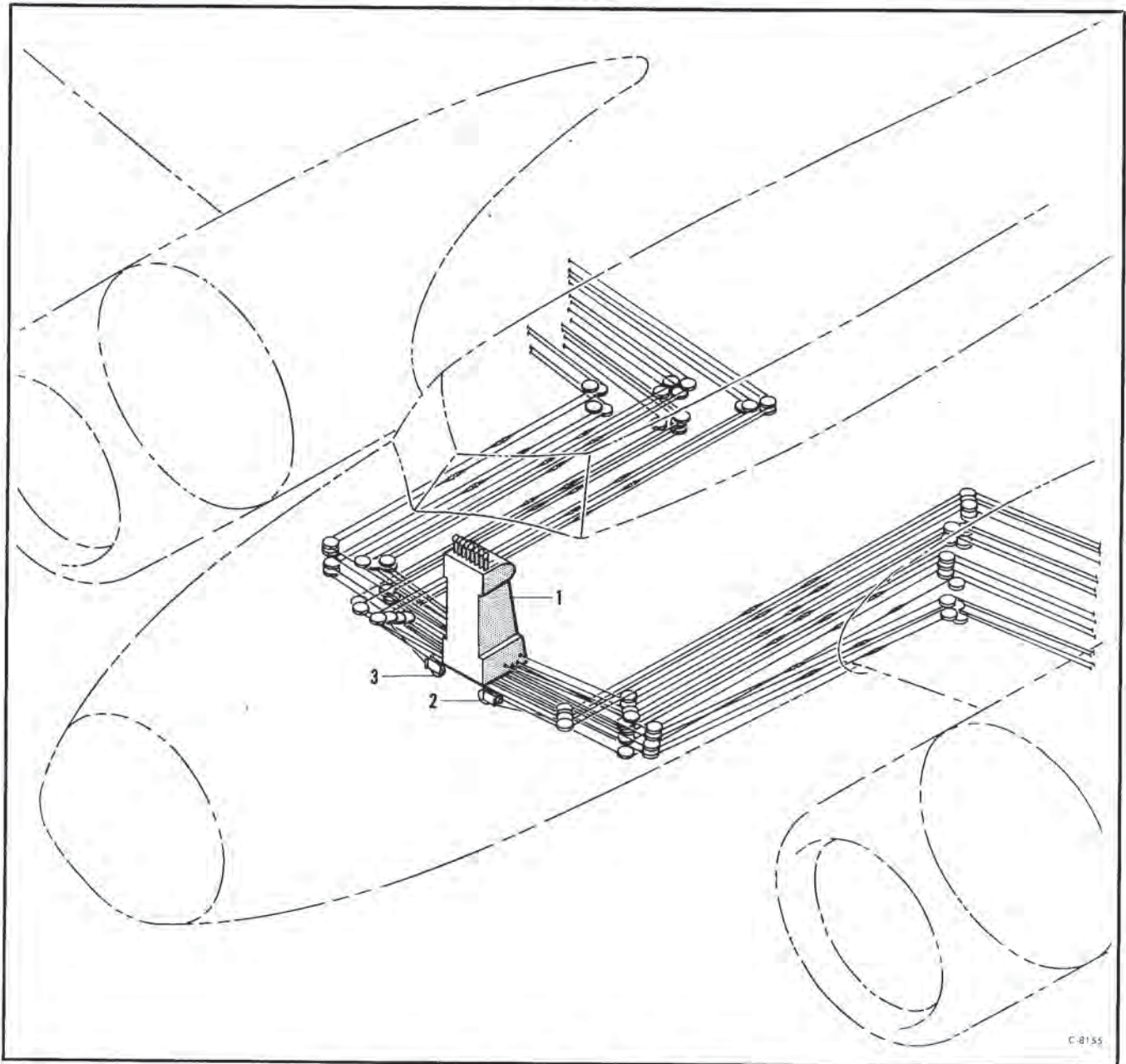


Figure 99—Engine Controls

Engine Controls

Figure & Index No.	Part Number	1 2 3 4 5 6 7	Nomenclature	Usage Code	Units Per Assy.
			Engine Controls		
	15-7035		Installation—Throttle control	All	NP
99-1	15-9275		Installation—Engine control stand (see fig. 100)	All	NP
	15-7036		Installation—Mixture control	All	NP
	15-7037		Installation—Supercharger control	E	NP
	15-7040		Installation—Propeller pitch control	All	NP
2	6-7791-21		Installation—Supercharger and mixture control bracket (see fig. 66)	E	NP
3	6-7791-22		Installation—Supercharger and mixture control bracket (see fig. 66)	All	NP

FUSELAGE

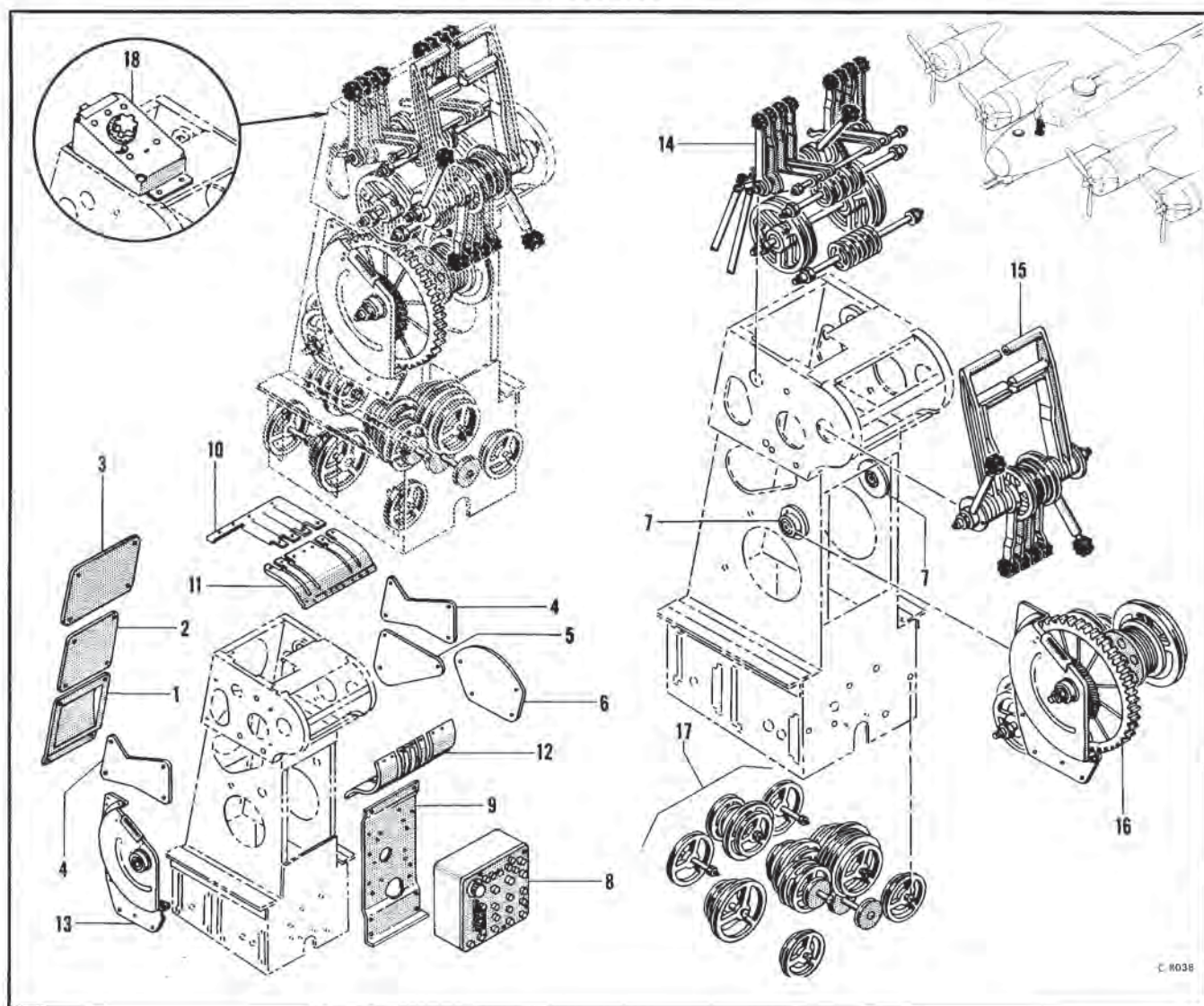


Figure 100—Engine Control Stand

Engine Control Stand

Figure & Index No.	Part Number	1 2 3 4 5 6 7	Nomenclature	Usage Code	Units Per Assy.
1	15-9275		Engine Control Stand	All	NP
	15-9275-3		Installation—Engine control stand	E	1
	15-9275-4		Stand Assembly—Engine control	UE	1
	15-9275-5		Stand Assembly—Engine control	IN	1
	15-9275-7		Stand Assembly—Engine control	WQ	1
	65-5689-515		Frame Assembly—Engine control stand	All	1
100-1	6-7370		Plate—Cover	All	1
2	55-5689-23		Plate—Cover	All	1
3	55-5689-22		Plate—Cover	All	1
4	3-10812		Cover—Control stand	All	2
5	3-10814		Cover—Control stand	All	1
6	3-10813-1		Cover—Control stand	All	1
7	21-9531-1		Housing Assembly—Bearing	All	2
	AN201K8A		Bearing—Metal shielded ball	All	1
	14-3002		Installation—Modified control	All	NP
8	NO NUMBER		Box—Control (Spec C24861) (Type A-6) GFE	All	1
9	6-10780		Cover Assembly—Control stand	All	1
10	6-14525		Plate Assembly—Control stand cover	All	1
11	43-11471		Plate Assembly—Control stand cover	All	1
12	43-11472		Plate Assembly—Control stand cover	All	1
13	59-1791-401		Cover Assembly—Control stand (see fig. 103)	All	1
14			Mixture Control Levers (see fig. 101)		
15			Throttle Levers and Propeller Lock (see fig. 102)		
16			Elevator Trim Tab Unit (see fig. 103)		
17			Engine Control Stand Lower Pulley Rack (see fig. 104)		
18	6-15229		Selector Assembly—Turbo (see fig. 119)	ZE	Ref

C-8038

FUSELAGE

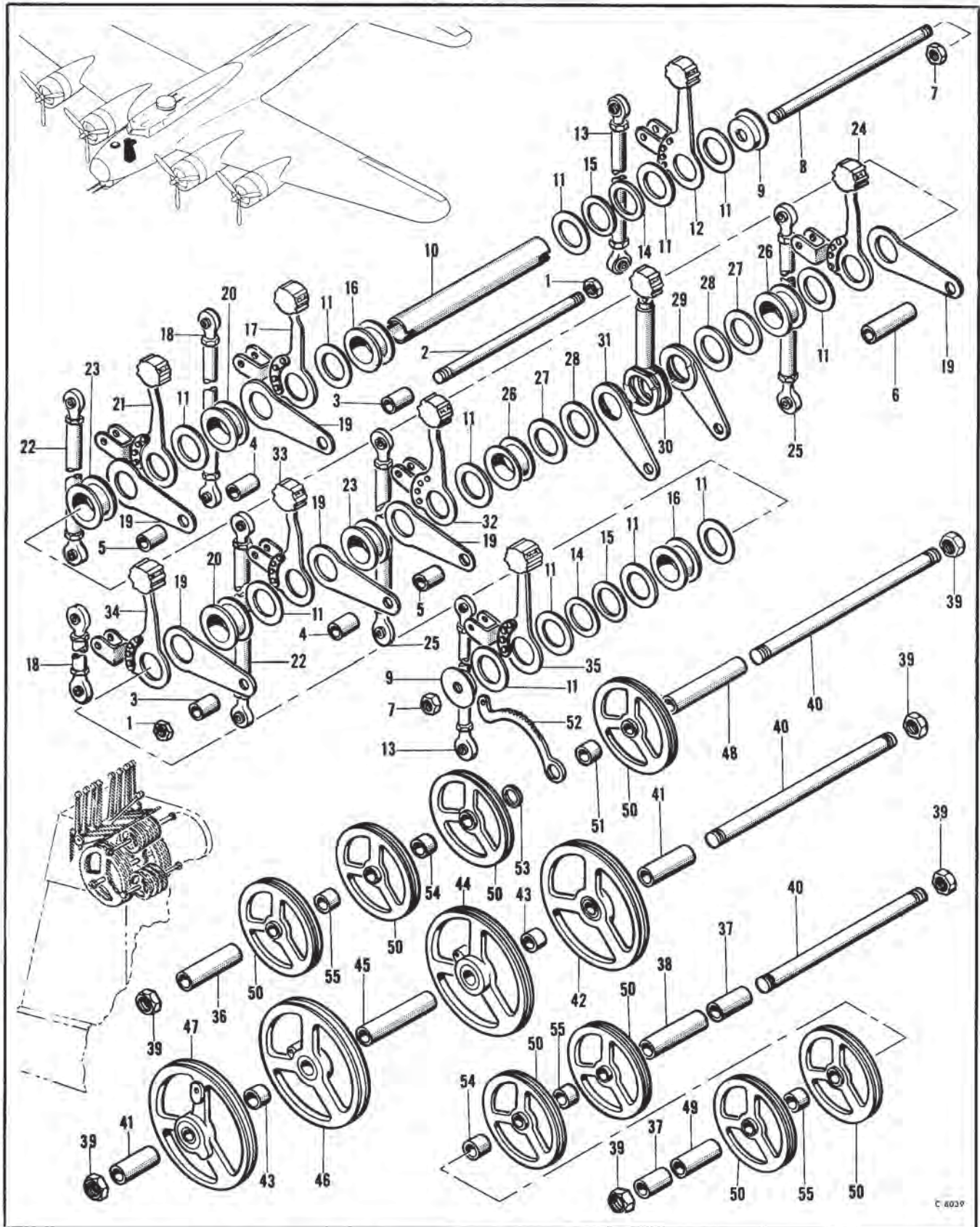


Figure 101—Control Stand Mixture Control Levers

AN 01-20EG-4

FUSELAGE

Control Stand Mixture Control Levers

Figure & Index No.	Part Number	1 2 3 4 5 6 7	Nomenclature	Usage Code	Units Per Assy.
101-1	AN365-428		Control Stand Mixture Control Levers (see fig. 100)		
2	51-196		Nut—Self-locking	All	2
3	51-195-77		Shaft—Engine control stand	All	1
4	51-195-64		Spacer—1-4 shaft	All	2
5	51-195-55		Spacer—1-4 shaft	All	2
6	51-195-174		Spacer—1-4 shaft	E	1
7	AN365-624		Nut—Self-locking	All	2
8	51-200		Shaft—Engine control stand	All	1
9	51-249		Plug Assembly—Engine control stand	All	2
10	51-79		Shaft—Engine control stand	All	1
11	1-24239-3		Washer—Friction	All	12
12	3-11810-1		Lever Assembly (RH)	All	1
13	3-13001		Rod Assembly—Control	All	2
14	41-9732-4		Spacer—Engine control	All	2
15	1-24235-1		Washer—1-16 brass	All	2
16	41-9831-53		Spacer—Engine control lever	All	2
17	3-11811-1		Lever Assembly—RH	All	1
18	1-18089		Rod Assembly—Engine control	All	2
19	41-8700-4		Washer—Friction	All	6
20	41-9831-46		Spacer—Engine control lever	All	2
21	3-11812-1		Lever Assembly—RH	All	1
22	6-11058-30		Rod Assembly	T	2
	BAC1861-4-119		Rod Assembly	NG	1
23	41-9831-55		Spacer—Engine control lever	All	2
24	3-11813-1		Lever Assembly (RH)	All	1
25	6-11058-33		Rod Assembly	T	2
	BAC1861-4-180		Rod Assembly	NG	1
26	41-9831-43		Spacer—Engine control lever	All	2
27	1-24237-1		Washer—Laminated phenolic	All	2
28	1-24238-1		Shim—Brass washer	All	2
29	41-9736		Cam Assembly—Engine control lock	UB	2
	6-16818		Cam Assembly—Engine control lock	TN	1
30	41-7953-1		Handle Assembly—Engine control lock	E	1
	41-7953-4		Handle Assembly—Engine control lock	UE	1
	3-24687-1		Handle Assembly—Engine control lock	TN	1
31	41-9736-1		Cam Assembly—Engine control lock	E	1
32	3-11813		Lever Assembly—LH	E	1
33	3-11812		Lever Assembly—LH	E	1
34	3-11811		Lever Assembly—LH	E	1
35	3-11810		Lever Assembly—LH	E	1
	51-195-382		Spacer (Replaces Index No. 3, 4, 5 & 6 on LH side of control box)	ZE	1
	41-9831-272		Spacer (Replaces Index No. 16, 20, 23 & 26 on LH side of control box)	ZE	1
	41-9732-32		Spacer (Replaces Index No. 11, 14 & 15 on LH side of control box)	ZE	1
36	51-187-175		Spacer—1-2 shaft	All	1
37	51-197-60		Spacer—1-2 shaft	All	2
38	51-197-189		Spacer—1-2 shaft	All	1
39	AN365-820		Nut—Self-locking	All	6
40	1-24234-2		Stud—Engine control	All	3
41	51-197-42		Spacer—1-2 shaft	All	2
42	3-11130-12		Pulley Assembly—RH	All	1
43	51-197-12		Spacer—1-2 shaft	All	2
44	3-11624-9		Pulley Assembly—RH	All	1
45	51-197-284		Spacer—1-2 shaft	All	1
46	3-11624-8		Pulley Assembly—LH	All	1
47	3-11130-11		Pulley Assembly—LH	All	1
48	51-197-255		Spacer—1-2 shaft	All	1
49	51-197-109		Spacer—1-2 shaft	All	1
50	3-11002-6		Pulley Assembly—Engine control	All	8
51	51-197-10		Spacer—1-2 shaft	All	1
52	41-7964		Sector—Lock lever	All	1
53	AN960D816		Washer—Plain	All	1
54	51-197-18		Spacer—1-2 shaft	All	2
55	51-197-20		Spacer—1-2 shaft	All	3

FUSELAGE

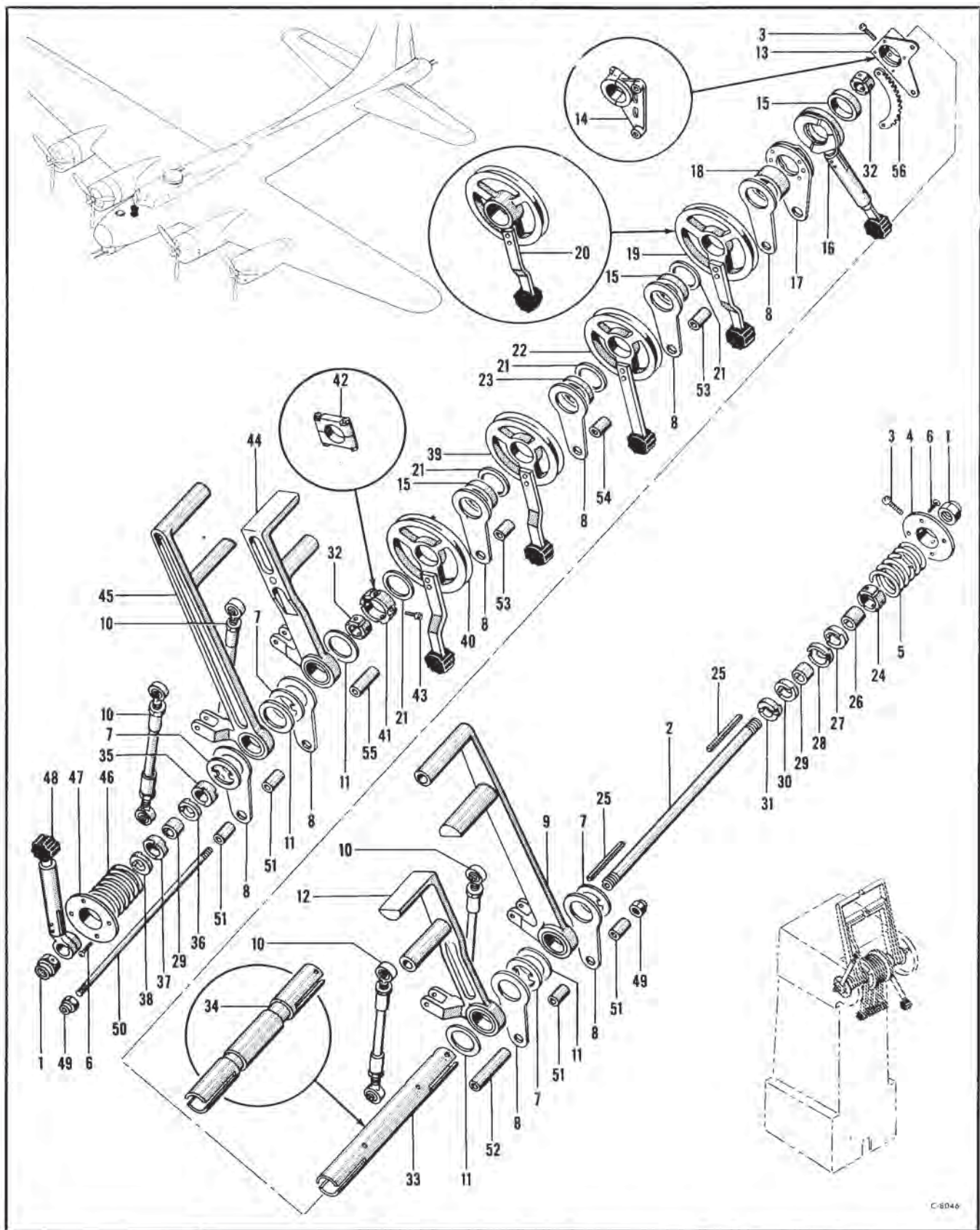


Figure 102—Throttle Levers and Propeller Lock

AN 01-20EG-4

FUSELAGE

Throttle Levers and Propeller Lock

Figure & Index No.	Part Number	1	2	3	4	5	6	7	Nomenclature	Usage Code	Units Per Assy.	
		Throttle Levers and Propeller Lock (see fig. 100)										
102-1	AN365-820								Nut—Self-locking	All	2	
2	41-4293								Shaft—Throttle lock	All	1	
3	AN502-416-6								Screw—Drilled fillister head machine	All	4	
4	41-9728								Collar—Shaft support	HA	1	
	3-24648								Collar—Shaft support	MI	1	
5	51-329								Spring—Compression	All	1	
6	AN526-1032R7								Screw—Truss head	All	8	
7	21-9574								Washer—Special	All	4	
8	41-8700-3								Washer—Friction	All	8	
9	6-7595-1								Lever Assembly—Throttle control	All	1	
10	3-15520-2								Rod Assembly—Control	All	4	
11	1-24239-1								Washer—Friction	All	7	
12	6-7593-1								Lever Assembly—Throttle control	All	1	
13	41-8129-3								Support Assembly—Lock quadrant	HA	1	
14	3-22272-1								Support Assembly—Lock quadrant	MI	1	
15	41-9732-16								Spacer—Engine control	All	3	
16	41-7953								Handle Assembly—Engine control lock	HA	1	
	3-24687								Handle Assembly—Engine control lock	MI	1	
17	41-9735								Cam Assembly—Engine control lock	HA	1	
	6-16819								Cam Assembly—Engine control lock	MI	1	
18	41-9732-30								Spacer—Engine control	HA	1	
	41-9732-16								Spacer—Engine control	MI	1	
19	3-11146-8								Pulley Assembly—Propeller pitch	XA	1	
20	3-11146-11								Pulley Assembly—Propeller pitch	PK	1	
21	1-24239-2								Washer—Friction	All	6	
22	3-11147-8								Pulley Assembly—Propeller pitch	XA	1	
	3-11147-10								Pulley Assembly—Propeller pitch	PK	1	
23	41-9732-14								Spacer—Engine control	XA	1	
24	1-16285-1								Guide—Shaft support	HA	1	
	3-24647								Guide—Shaft support	MI	1	
25	BAC1001-29								Key	All	2	
26	41-4284								Spacer—Throttle lock	All	1	
27	41-9730-3								Cam—Throttle lock	All	1	
28	41-9731-2								Cam—Throttle lock	All	1	
29	41-4284-1								Spacer—Throttle lock	All	2	
30	41-9730								Cam—Throttle lock	All	1	
31	41-9731-1								Cam—Throttle lock	All	1	
32	1-16285								Guide—Shaft support	HA	2	
33	41-4286-1								Shaft—Throttle support	HA	1	
34	3-23975								Shaft—Throttle support	MI	1	
35	41-9731								Cam—Throttle lock	All	1	
36	41-9730-1								Cam—Throttle lock	All	1	
37	41-9731-3								Cam—Throttle lock	All	1	
38	41-9730-2								Cam—Throttle lock	All	1	
39	3-11147-7								Pulley Assembly—Propeller pitch	XA	1	
	3-11147-9								Pulley Assembly—Propeller pitch	PK	1	
40	3-11146-7								Pulley Assembly—Propeller pitch	All	1	
41	51-495								Spacer—Engine control	HA	1	
42	3-22271								Spacer Assembly—Engine control	MI	1	
43	AN502-416-8								Screw—Drilled fillister head machine	HA	4	
44	6-7593								Lever Assembly—Throttle control	All	1	
45	6-7595								Lever Assembly—Throttle control	All	1	
46	51-474								Spring—Compression	All	1	
47	41-9728-1								Collar—Shaft support	All	1	
48	41-8126								Lever Assembly—Throttle lock	All	1	
49	AN365-428								Nut—Self-locking	All	2	
50	41-196								Shaft—Engine control stand	All	1	
51	51-195-48								Spacer—Engine control	HA	4	
52	51-195-148								Spacer—Engine control	HA	1	
	51-195-252								Spacer—Engine control (replaces index no. 51 and 52)	MI	1	
53	51-195-40								Spacer—Engine control	All	2	
54	55-195-38								Spacer—Engine control	HA	1	
	55-195-39								Spacer—Engine control	MI	1	
55	51-195-93								Spacer—Engine control	HA	1	
	51-195-197								Spacer—Engine control (replaces index no. 51 and 55)	MI	1	
56	41-6818								Quadrant—Control lock	All	1	

FUSELAGE

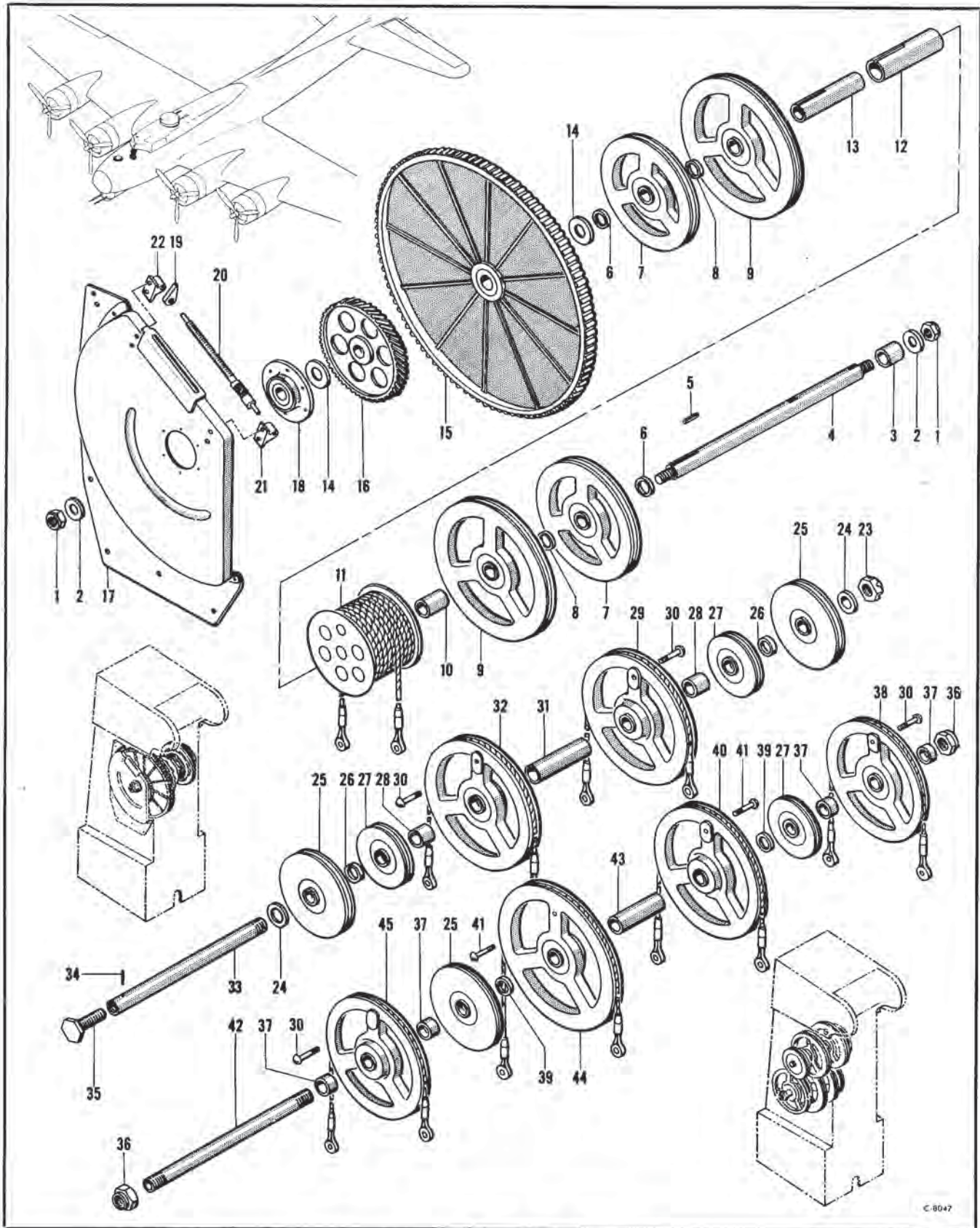


Figure 103—Elevator Trim Tab Unit

AN 01-20EG-4

FUSELAGE
Elevator Trim Tab Unit

Figure & Index No.	Part Number	1	2	3	4	5	6	7	Nomenclature	Usage Code	Units Per Assy.
103-1	AN365-428								Elevator Trim Tab Unit (see Fig. 100)	All	2
2	1-22928-5								Nut—Self-locking	All	2
3	BAC1808-40								Washer—Steel	All	1
4	41-8074								Spacer	All	1
5	BAC1001-12								Shaft—Elevator tab control	All	1
6	51-197-6								Key	All	1
7	3-11002-2								Spacer—Engine control	All	2
8	51-197-8								Pulley Assembly—Engine control	All	2
9	3-11002								Spacer—Engine control	All	2
10	51-197-40								Pulley Assembly—Engine control	All	1
11	41-7654-2								Spacer—Engine control	All	1
12	51-202								Drum Assembly—Elevator tab control	All	1
13	51-201								Tube—Guard	All	1
14	AN960-816								Spacer—Half shaft	All	1
15	46-4913								Washer—Plain	All	2
16	21-9533								Wheel Assembly—Elevator tab control	All	1
	59-1791-401								Gear—Elevator tab control	All	1
17	59-1791-403								Cover Assembly—Control stand	All	1
18	21-9531-1								Plate Assembly—Control stand	All	1
	AN201K8A								Housing Assembly—Bearing	All	1
19	41-9514								Bearing—Metal shielded ball	All	1
20	21-5943								Pointer—Tab control	All	1
21	41-9774								Shaft Assembly—Tab control	All	1
22	41-9774-2								Bearing Assembly—Tab control	All	1
23	AN320-8								Bearing Assembly—Tab control	All	1
24	1-22959-2								Nut—Aircraft shear	All	1
25	3-11002-4								Washer—Retaining	All	2
26	51-197-5								Pulley Assembly—Engine control	All	3
27	3-11002-8								Spacer—Engine control	All	2
28	51-197-47								Pulley Assembly—Engine control	All	3
29	3-11133-19								Spacer—Engine control	All	2
30	AN23-21								Pulley Assembly—Engine control	All	1
31	51-197-152								Bolt—Clevis	All	4
	51-197-247								Spacer—Engine control	E	1
32	3-11133-18								Spacer—Engine control	ZE	1
	41-7915-3								Pulley Assembly—Engine control	E	1
33	41-7915-1								Bolt Assembly—Engine control	All	1
34	41-7915-2								Shank—Bolt assembly	All	1
35	41-9822								Pin—Bolt assembly	All	1
36	AN365-820								Screw—Special	All	1
37	51-197-22								Nut—Self-locking	All	2
38	3-11133-20								Spacer—Engine control	All	4
39	51-197-10								Pulley Assembly—Engine control	All	1
40	3-11138-8								Spacer—Engine control	All	2
41	AN23-20								Pulley Assembly—Engine control	All	1
42	1-24234-1								Bolt—Clevis	All	2
43	51-197-88								Stud	All	1
	51-197-262								Spacer—Engine control	E	1
44	3-11138-9								Spacer—Engine control	ZE	1
45	3-11133-21								Pulley Assembly—Engine control	E	1
									Pulley Assembly—Engine control	E	1

Section I I
Group Assembly Parts List

AN 01-20EG-4

FUSELAGE

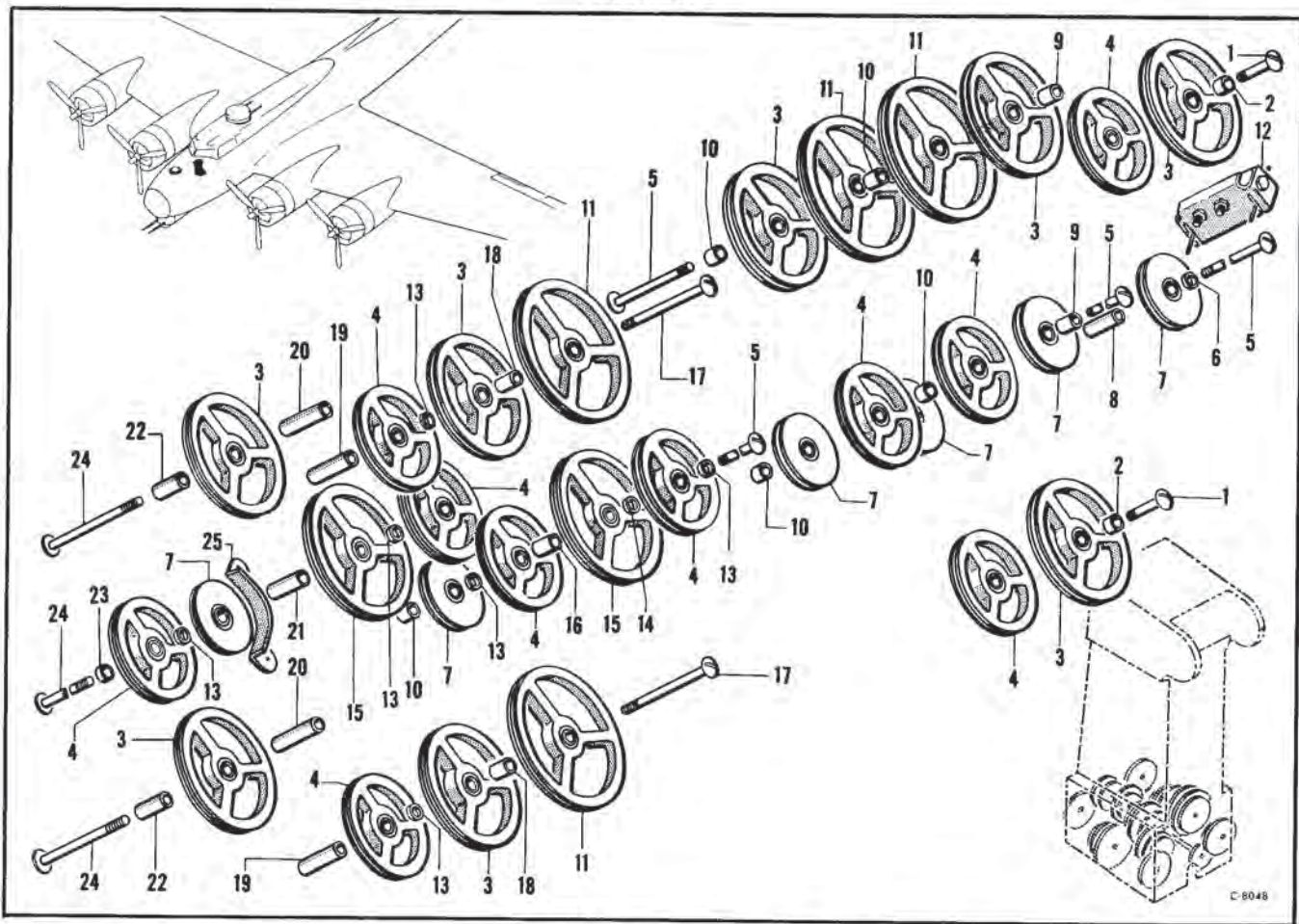


Figure 104—Engine Control Stand Lower Pulley Rack

Engine Control Stand Lower Pulley Rack

Figure & Index No.	Part Number	1	2	3	4	5	6	7	Nomenclature	Usage Code	Units Per Assy.
104-1	AN26-24								Engine Control Stand Lower Pulley Rack (see fig. 100)	All	2
2	51-199-18								Bolt—Clevis	All	2
3	3-11003-4								Spacer	All	2
4	3-11003-6								Pulley Assembly	All	8
5	AN26-52								Pulley Assembly	All	10
6	51-198-6								Bolt—Clevis	All	4
7	3-11003-8								Spacer	All	1
8	51-199-128								Pulley Assembly	All	6
9	51-199-34								Spacer	All	1
10	51-199-28								Spacer	All	2
11	3-11003								Pulley Assembly	All	5
12	3-18288								Fairlead Assembly	All	4
13	51-199-8								Spacer	IA	1
14	51-199-10								Spacer	All	6
15	3-11003-2								Pulley	E	1
16	51-199-44								Spacer	E	2
17	51-199-102								Spacer	E	1
18	AN26-60								Bolt—Clevis	ZE	1
19	51-199-40								Spacer	All	2
20	51-199-96								Spacer	All	2
21	51-199-104								Spacer	All	2
22	51-199-76								Spacer	All	2
23	51-199-104								Spacer	E	1
24	51-199-64								Spacer	E	1
25	51-199-12								Spacer	ZE	1
	51-199-40								Spacer	All	2
	AN26-54								Bolt—Clevis	All	1
	41-8510-1								Guard	All	3
										All	1

FUSELAGE

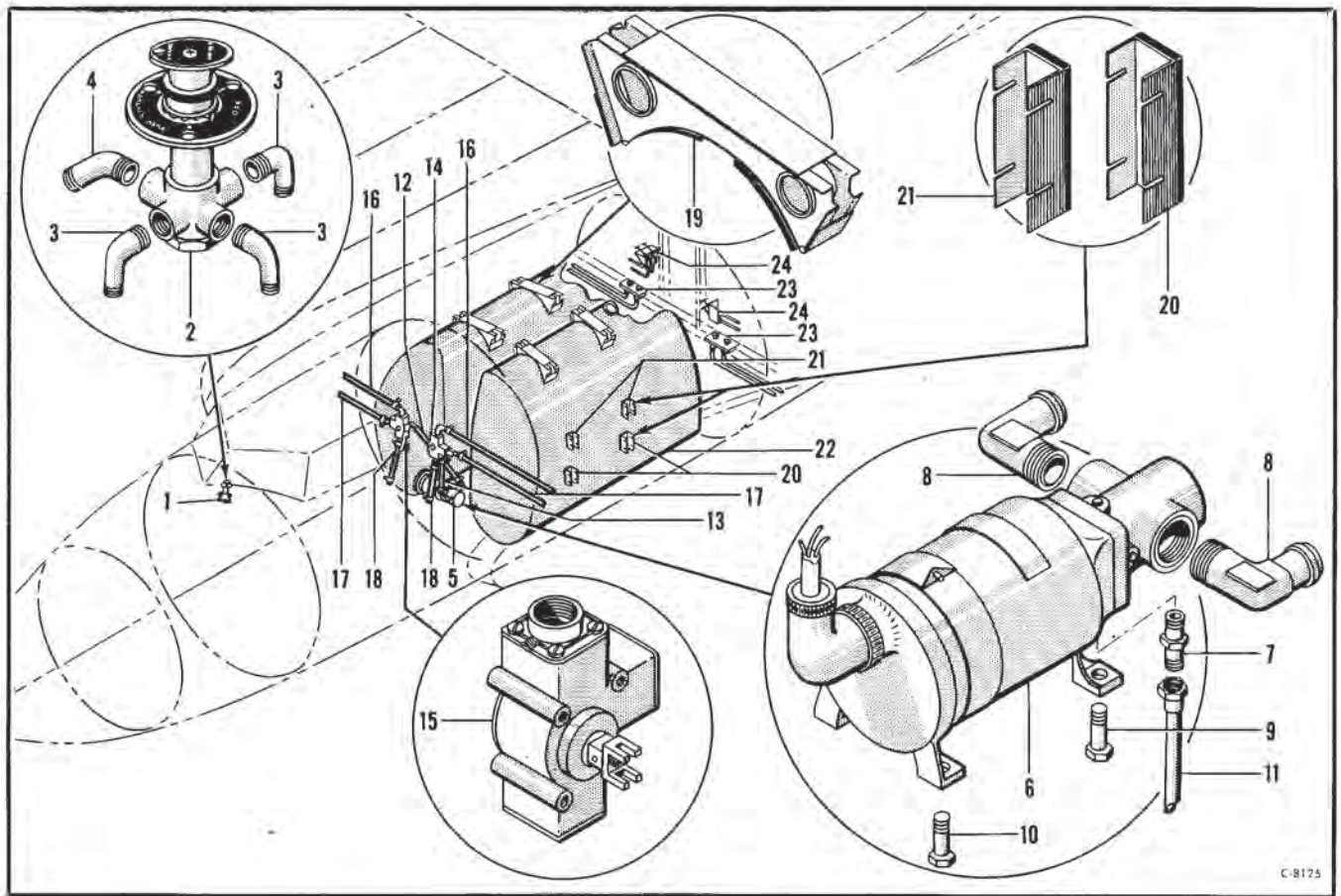


Figure 105—Fuel System

Fuel System

Figure & Index No.	Part Number	1 2 3 4 5 6 7	Nomenclature	Usage Code	Units Per Assy.
	15-9471		Fuel System		
105-1	15-9471-1		Installation—Fuel tubing	All	NP
2	401-4A		Primer Assembly—Fuel	All	1
3	811CT4		Primer Assembly—4 engine fuel (Parker) (Spec 95-28136) (see AN03-10-33)	All	1
4	811CT45-4		Elbow	All	4
5	9-3663		Elbow—45 degree	All	1
	9-3668-7		Installation—Fuel transfer pump	All	NP
6	RG4430-2		Unit Assembly—Pump	All	1
7	811FT4		Pump Assembly—Fuel transfer (Romec)	All	1
8	AN842-16		Nipple	All	1
9	AN4-12A		Elbow—90 degree hose	All	2
10	AN4-13A		Bolt—Aircraft	All	2
	AN365-428		Bolt—Aircraft	All	2
11	15-7348-112		Nut—Self-locking	All	4
12	15-7348-4		Tube Assembly (drain)	All	1
13	15-7348-5		Hose	All	1
14	9-3663		Hose	All	1
15	9-3663-1		Installation—Fuel transfer selector valve (LH) (see fig. 106)	All	NP
16	15-7348-3		Installation—Fuel transfer selector valve (RH) (see fig. 106)	All	NP
	15-9471-39		Hose (see fig. 23)	ZA	Ref
17	15-7348-122		Hose (see fig. 23)	VK	Ref
	9-3746		Installation—Auxiliary tank port plug (LH)	All	Ref
	9-3746-1		Installation—Auxiliary tank port plug (RH)	All	NP
18	9-3746-2		Plug Assembly—Auxiliary tank port (install on 9-3663 & 9-3663-1 transfer valves—index 14 & 15—when auxiliary bomb bay fuel tanks are removed)	All	2
	75-7336		Installation—Auxiliary fuel tank	XA	NP
	79-2220		Installation—Extra fuel tank cradle (LH)	All	NP
	79-2220-1		Installation—Extra fuel tank cradle (RH)	All	NP
19	79-2220-703		Cradle Assembly—Extra fuel tank	All	2
	AN3-21A		Bolt—Aircraft	All	4
	AN3-23A		Bolt—Aircraft	All	4
20	1-21031		Pad Assembly—Auxiliary fuel tank	All	12
21	1-21032		Pad Assembly—Auxiliary fuel tank	XA	4
22	75-7336-620		Kit Assembly—Auxiliary fuel tank (see fig. 106)	All	1
23	A855KX		Valve Assembly—Transfer control (Denison) GFE (see fig. 21)	D	Ref
	A855NX		Valve Assembly—Transfer control (Denison) GFE (see fig. 21)	EE	Ref
24	A855RX		Valve Assembly—Transfer control (Denison) GFE (see fig. 21)	PJ	Ref

FUSLAGE

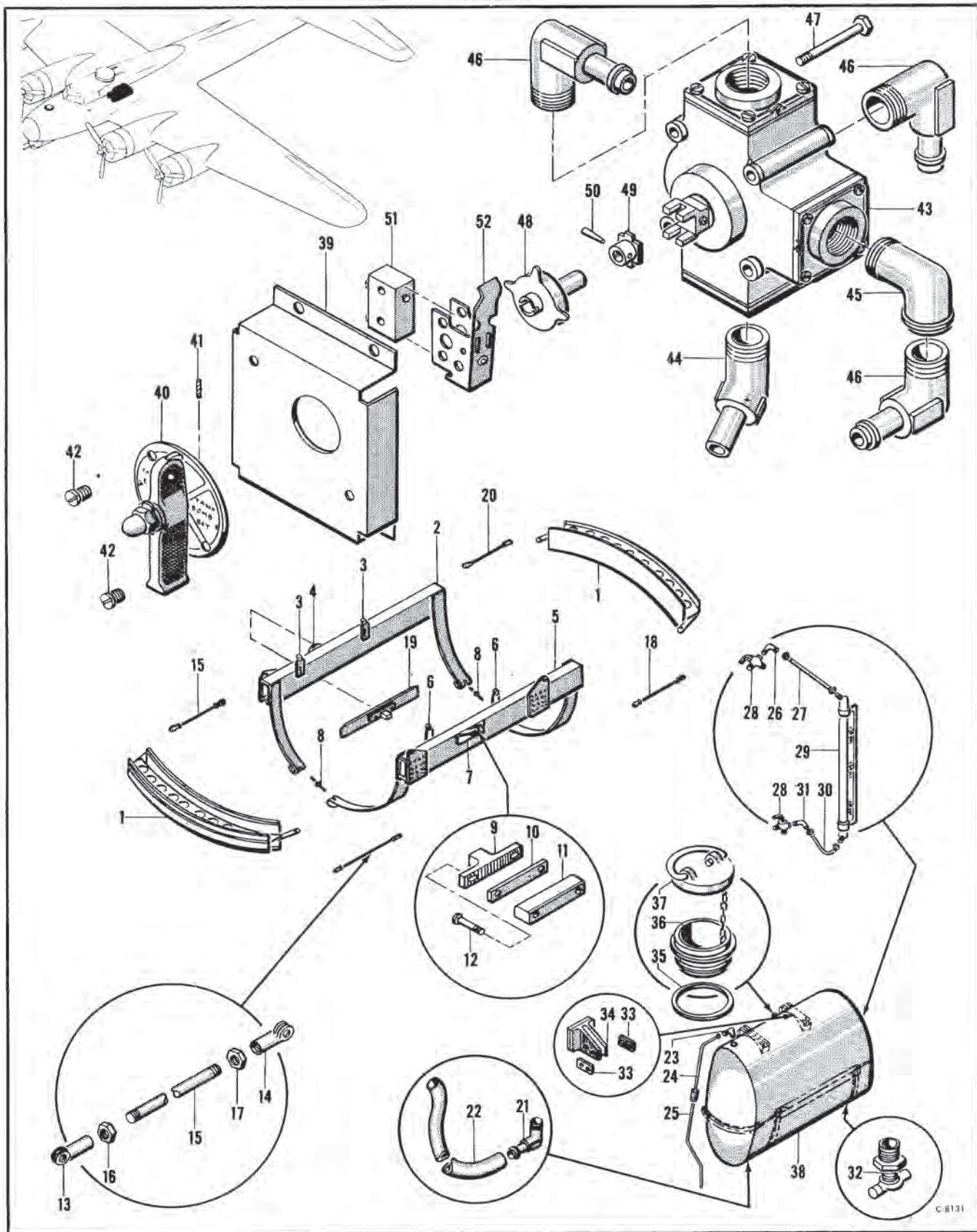


Figure 106—Auxiliary Fuel Tank Kit Assembly and Fuel Transfer Selector Valve

AN 01-20EG-4

FUSELAGE

Auxiliary Fuel Tank Kit Assy. & Fuel Transfer Selector Valve

Figure & Index No.	Part Number	1 2 3 4 5 6 7	Nomenclature	Usage Code	Units Per Assy.
			Auxiliary Fuel Tank Kit Assembly & Fuel Transfer Selector Valve.....		
	75-7336-620		Auxiliary Fuel Tank Kit Assembly (see fig. 105)	XA	Ref
106-1	6-11582		Beam Assembly—Tank	XA	4
	755-26-8-8		Clamp—Cushioned (Adel)	XA	2
	755-8-2-8		Clamp—Cushioned (Adel)	XA	2
	AN520-10R10		Screw—Round head	XA	2
	AN365-1032		Nut—Self-locking	XA	2
2	9-3731-1		Beam Assembly—Inboard (LH)	XA	1
	9-3731		Beam Assembly—Inboard (RH)	XA	1
3	1-18540		Lug—Tank support	XA	2
4	3-14248		Fitting—Auxiliary fuel tank	XA	1
	3-12062-38		Cushion Assembly—Tank support	XA	2
	3-15193		Strap Assembly—Tank support	XA	2
	AN4-16A		Bolt—Aircraft	XA	14
	AN365-428		Nut—Self-locking	XA	12
5	9-3732		Beam Assembly—Outboard (LH)	XA	1
	9-3732-1		Beam Assembly—Outboard (RH)	XA	1
6	1-18540		Lug—Tank support	XA	2
7	3-14247		Fitting—Auxiliary fuel tank	XA	1
	3-12062-40		Cushion Assembly—Tank support	XA	2
	3-15193-1		Strap Assembly—Tank support	XA	2
	AN4-16A		Bolt—Aircraft	XA	4
	AN365-428		Nut—Self-locking	XA	12
8	1-24217		Rod—Tie	XA	4
9	1-17552		Stop—Auxiliary fuel tank	XA	2
10	1-17554		Plate—Auxiliary fuel tank	XA	2
11	1-21033		Block—Auxiliary fuel tank	XA	2
	AN4-20A		Bolt—Aircraft	XA	8
	AN960-416		Washer—Plain	XA	8
	AN365-428		Nut—Self-locking	XA	8
12	AN4-20A		Bolt—Aircraft	XA	4
13	AN665-46L		Terminal—Clevis type	XA	8
14	AN665-46R		Terminal—Clevis type	XA	8
	AN395-17		Pin—Flat head	XA	6
15	AN705-17		Tie Rod—Internal	XA	4
16	AN315-5L		Nut—Aircraft plain	XA	8
17	AN315-5R		Nut—Aircraft plain	XA	8
18	AN705-2175		Tie Rod—Internal	XA	2
19	3-14245		Support Assembly—Auxiliary fuel tank	XA	2
	3-14245-1		Support	XA	1
	1-17552		Stop—Auxiliary fuel tank	XA	1
	1-17554		Plate—Auxiliary fuel tank	XA	1
	AN4-10A		Bolt—Aircraft	XA	2
	AN365-428		Nut—Self-locking	XA	2
	AN3-5A		Bolt—Aircraft	XA	4
	AN365-1032		Nut—Self-locking	XA	4
20	AN705-2525		Tie Rod—Internal	XA	2
21	15-7336-1		Elbow—90 degree	XA	2
22	15-7336-10		Hose—Feed	XA	2
	AN748-56		Clamp—Hose	XA	4
23	811CT8		Elbow—90 degree	XA	2
24	75-7336-616		Tube (LH vent)	XA	1
	75-7336-618		Tube (RH vent)	XA	1
	AN884-8-14		Hose—Resistant synthetic	XA	2
	AN748-30		Clamp—Hose	XA	4
25	75-7336-617		Tube (LH vent)	XA	1
	75-7336-619		Tube (RH vent)	XA	1
26	811CT5		Elbow—90 degree	XA	2
27	75-7336-606		Tube Assembly	XA	2
	811BT5D		Nut	XA	2
	811T5CS		Sleeve	XA	2
28	765-1		Cock—Shut off	XA	4
29	3-16114-5		Gage Assembly—Bomb bay fuel (LH)	XA	1
	3-16114-6		Gage Assembly—Bomb bay fuel (RH)	XA	1
	3-16114-4		Marker Assembly	XA	1
	3-16114-3		Marker Assembly	XA	1
	1-14068		Cap—Upper shell end	XA	2
	1-27743		Gage—Auxiliary fuel sight	XA	1
	41-9863		Gasket—End cap	XA	2
	AN365-1032		Nut—Self-locking	XA	2
	AN520-10-8		Screw—Round head	XA	2
	811FT5		Nipple	XA	2
	AN365-1032		Nut—Self-locking	XA	12
	AN520-10R8		Screw—Round head	XA	8
	BAC540-10		Clamp—Loop type	XA	4
	15-7336-11		Angle	XA	2
	AN520-10R10		Screw—Round head	XA	4

Section II
Group Assembly Parts List

AN 01-20EG-4

FUSELAGE

Auxiliary Fuel Tank Kit Assy. & Fuel Transfer Selector Valve

Figure & Index No.	Part Number	1 2 3 4 5 6 7	Nomenclature	Usage Code	Units Per Assy.
106-30	75-7336-600		Tube Assembly	XA	2
31	811CT45-5		Elbow—45 degree	XA	2
32	AN771-2		Cock—Screw type drain	XA	2
	AN906-16		Plug—Square head	XA	2
	AN900-16		Gasket—Annular copper	XA	2
33	1-17555		Plate—Auxiliary fuel tank	XA	8
	AN3-10A		Bolt—Aircraft	XA	8
	AN365-1032		Nut—Self-locking	XA	8
34	1-17553		Stop Assembly—Auxiliary fuel tank	XA	4
35	3-16478		Ring Assembly—Bonding	XA	2
36	3-13613-12		Nut Assembly—Tank filler unit	XA	2
37	3-13806-11		Cap Assembly—Filler unit	XA	2
	1-28392		Spring	XA	1
	1-18569-1		Gasket	XA	1
	3-16112-6		Cap	B	1
	3-20755-5		Cap	BE	1
38	2F1-6-1778		Tank Assembly (Goodyear)	XA	1
	2F6-1778-1		Tank Assembly (Goodyear)	XA	1
	9-3663		Installation—Fuel transfer selector valve (LH) (see fig. 105)	All	NP
	9-3663-1		Installation—Fuel transfer selector valve (RH) (see fig. 105)	All	NP
	6-9374-1		Bracket Assembly—Selector valve control support (LH)	All	1
	6-9374-2		Bracket Assembly—Selector valve control support (RH)	All	1
39	3-13663		Bracket—Selector valve control support	All	1
	1-18756-1		Handle Assembly—Selector valve control (LH)	All	1
	1-18756-2		Handle Assembly—Selector valve control (RH)	All	1
40	U4218-1		Dial and Handle Assembly (United Aircraft)	All	1
	U4216-1		Dial and Handle Assembly (United Aircraft)	All	1
41	1-18866		Screw—Headless drive	All	1
42	AN505-8R8		Screw—82 degree flat head	All	2
	AN520-10R6		Screw—Round head	All	5
	AN365-1032		Nut—Self-locking	All	5
	9-3663-11		Valve Assembly—LH selector	All	1
	9-3663-12		Valve Assembly—RH selector	All	1
43	940167		Valve—Fuel transfer selector (type PG-4) (Aero Supply) (see ANO3-10-39)	All	1
44	9-3663-7		Elbow—Hose (make from AN844-16 elbow)	All	1
45	AN914-6		Elbow—90 degree internal and external	All	1
46	AN842-16		Elbow—90 degree hose	All	3
47	AN3-32A		Bolt—Aircraft	All	4
	9-3663-13		Adapter Assembly—LH selector valve	All	1
	9-3663-14		Adapter Assembly—RH selector valve	All	1
48	1-18865		Adapter—Selector valve control	All	1
49	066650		Driver—Fuel cock control yoke	All	1
50	385-20-5		Pin—Taper	All	1
	9-3663-15		Switch Assembly—LH selector valve	All	1
	9-3663-16		Switch Assembly—RH selector valve	All	1
	9-3663-10		Switch Assembly—Selector valve	All	1
51	AN3210-1		Switch—Low travel limit	All	1
52	9-10831		Switch (Micro Switch)	All	1
	AN515-6R20		Screw—Round head	All	2
	AN365-632		Nut—Self-locking	All	2

FUSELAGE

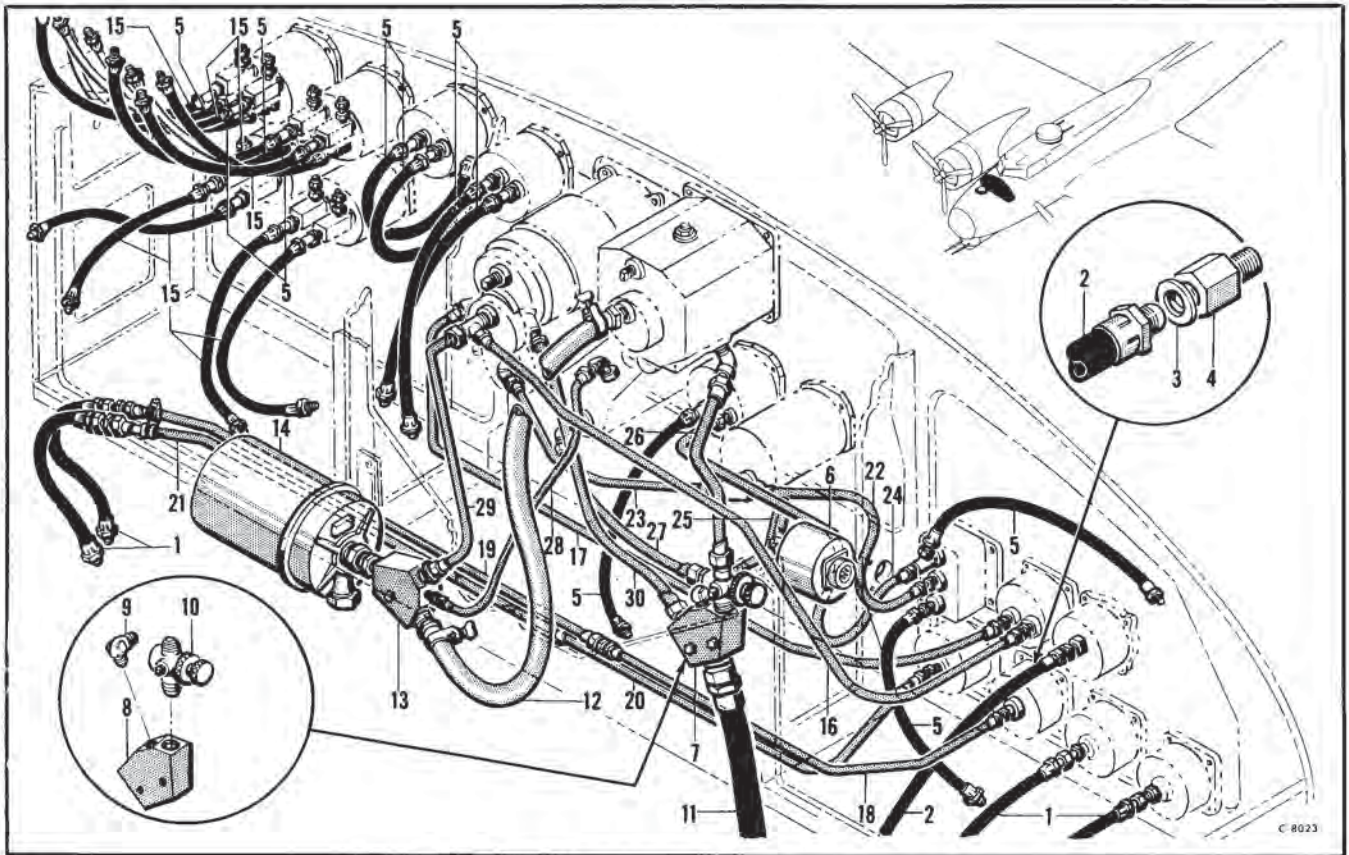


Figure 107—Pilots Instrument Tubing

Pilots Instrument Tubing

Figure & Index No.	Part Number	1 2 3 4 5 6 7	Nomenclature	Usage Code	Units Per Assy.
	65-7590		Installation—Pilots instrument tubing (see fig. 108)	All	NP
107-1	42D19277-5-14		Hose Assembly—Oxygen	All	4
2	43D2475-4-140		Hose Assembly	LD	1
	43D2474-4-140		Hose Assembly	VF	1
3	40B887-014C022-8		Gasket	N	1
4	39B846B4		Adapter	N	1
5	39B3481-414		Hose—Flexible	All	11
6	3112A		Switch Assembly—Vacuum warning (Pioneer)	All	1
7	65-7590-527		Manifold Assembly	All	1
8	3-13662		Manifold	All	1
9	3-19509		Elbow Assembly	All	1
10	38A6133		Valve Assembly	All	1
	38A6136		Needle	All	1
	38A6135		Nut	All	1
	38A6134		Body—Instrument	All	1
11	39B3481-1016		Hose—Flexible	All	1
12	AN884-6-84		Hose—Aromatic resistant synthetic	All	1
	65-7590-543		Manifold Assembly	All	1
13	3-13662		Manifold	All	1
14	AN5822-1		Filter—Air GFE	All	1
15	AN855A2A		Hose Assembly—Low pressure	All	8
16	65-7590-544		Tube	All	1
17	65-7590-500		Tube	All	1
18	65-7590-534		Tube	All	1
19	65-7590-525		Tube	All	1
20	65-7590-535		Tube	All	1
21	65-7590-512		Tube	All	1
22	65-7590-502		Tube	All	1
23	65-7590-503		Tube	All	1
24	65-7590-517		Tube	All	1
25	65-7590-538		Tube	All	1
26	65-7590-514		Tube	All	1
27	15-7590-4		Tube	All	1
28	65-7590-508		Tube	All	1
29	65-7590-532		Tube	All	1
30	15-7590-8		Tube	All	1

FUSELAGE

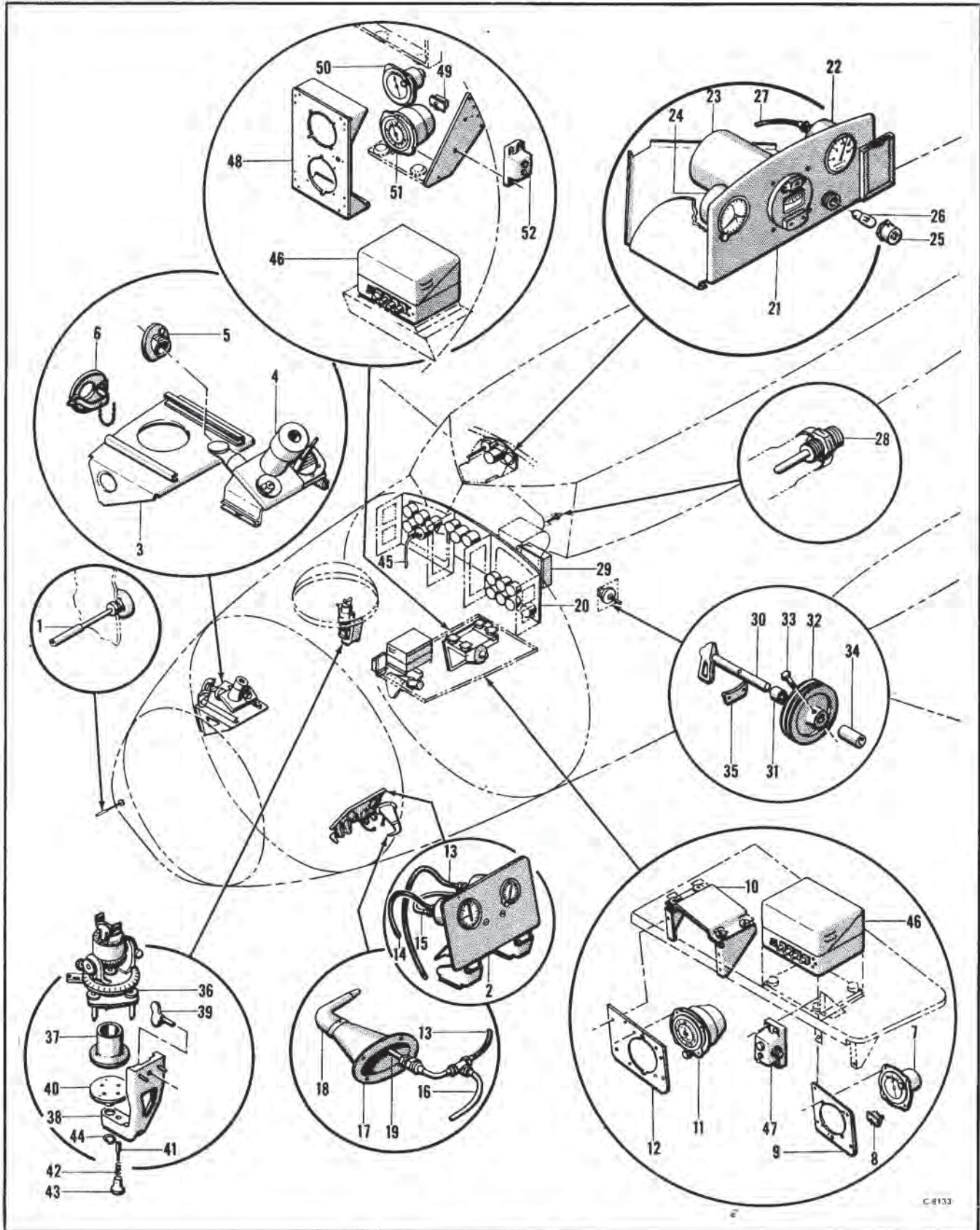


Figure 108—Instrument Equipment

AN 01-20EG-4

FUSELAGE
Instrument Equipment

Figure & Index No.	Part Number	1 2 3 4 5 6 7	Nomenclature	Usage Code	Units Per Assy.
			Instrument Equipment		
108-1	6-13918		Installation—Thermometer	All	NP
2	NO NUMBER		Thermometer (Spec 94-27328A) (Type C13A) GFE	All	1
	84-1611		Installation—Bombers instrument panel (see fig. 116)	All	NP
	9-5023		Installation—Navigator drift recorder	All	NP
3	15-10991-3		Support Assembly—Drift recorder	QB	1
	15-10991-5		Support Assembly—Drift recorder	XM	1
4	NO NUMBER		Recorder—Drift GFE	All	1
5	6-11483		Adapter Assembly—Drift recorder outlet	All	1
	9-5894		Installation—Drift recorder cover	All	NP
6	6-13943		Cover Assembly—Drift recorder	All	1
	3-20245		Gasket—Cover	All	1
	9-5895		Installation—Navigators instruments	TA	NP
	9-5895-1		Panel Assembly	TA	1
7	NO NUMBER		Indicator—Radio compass (SC-D-3255) (Type I82A) GFE	TA	1
8	AN3022-2B		Switch—Single pole toggle	TA	1
9	6-13942		Panel Assembly—Radio compass	TA	1
	9-5077		Panel Assembly—Navigator compass	TA	1
10	9-5077-3		Bracket Assembly	TA	1
	AN8008-3		Insulator—Vibration	TA	4
11	12001-0		Indicator—Master GFE	TA	1
12	6-11476		Panel—Navigator compass	TA	1
	55-7575		Installation—Navigator instrument tubing	All	NP
13	39B3481-414		Hose	All	1
14	39B3480-414		Hose	All	1
15	15-7575-32		Tube	All	1
16	55-7575-451		Tube	All	1
	9-6784		Installation—Pitot head mast	All	NP
	9-6784-7		Mast Assembly	TA	1
	9-6784-1		Mast Assembly	DK	1
17	9-6783		Mast Assembly—Pitot head	All	1
18	NO NUMBER		Tube—Airspeed (Spec 94-27389) (Type G-2) GFE	All	1
19	9-6784-2		Tube Assembly	All	1
20	65-7380-514		Installation—Pilots and co-pilots instrument board (see fig. 109)	All	NP
	74-1174-606		Installation—Pilots compass panel	All	NP
21	74-1174-600		Panel Assembly	All	1
22	AN5771-3A		Gage—Single pressure (de-icer) GFE	BC	1
	AN5771-4A		Gage—Single pressure (hydraulic) GFE	NO	1
23	NO NUMBER		Compass (Spec 94-27807) (Type B-16) GFE	All	1
24	NO NUMBER		Clock (Spec 94-27970) (Type A-11) GFE	All	1
25	109S		Lamp Assembly (red) (Korry Mfg. Co.)	NO	1
26	AN3121-313		Lamp—T3 1-4 single-contact GFE	NO	1
27	39B3481-414		Hose Assembly	NO	1
	AN2800-4-12		Hose Assembly—Braided hydraulic	NO	1
	6-9402-1		Installation—Outside air thermometer (RH)	All	NP
28	AN5525-1		Bulb—Electrical resistance GFE	All	1
29	14-3002		Installation—Modified A. F. C. E. control (see fig. 100)	All	NP
	6-9205		Installation—Instrument vacuum control	All	NP
	6-9336		Installation—Instrument vacuum control	All	NP
30	6-9336-1		Handle Assembly	All	1
	066654		Handle	All	1
	1-18845-5-90		Shaft	All	1
31	BAC1608-44		Spacer—1-2 bolt	All	1
32	1-18246		Drum—Valve control	All	1
33	AN3-14A		Bolt—Aircraft	All	1
34	BAC1608-135		Spacer—1-2 bolt	All	1
35	3-29934		Guard—Control handle	XM	1
	9-5011		Installation—Astrocompass	All	NP
36	6A1174		Astrocompass (Mark II 106A1088) GFE	All	1
37	6A0-366		Standard—Astrocompass (Type 0-5A 106A1017) GFE	All	1
	6-12417		Support Assembly—Astrocompass bracket	All	1
38	6-12406		Support—Astrocompass bracket	All	1
	3-16708-2		Pin	All	2
39	3-18944		Stud—Astrocompass bracket	All	1
	RWP7		Pin—Cross (Shakeproof)	All	1
40	3-16171		Mount—Astrocompass bracket	All	1
41	3-18924		Plunger—Astrocompass bracket	All	1
42	1-24263		Spring—Astrocompass bracket	All	1
43	3-18228		Knob—Astrocompass bracket	All	1
44	3-18216		Spring—Astrocompass bracket	All	1
45	65-7590		Installation—Pilots instruments tubing (see fig. 107)	All	NP
	15-10429		Installation—Remote reading compass equipment	All	NP
	6-14193		Installation—Remote compass amplifier and switch	TA	NP
	9-7527		Installation—Remote compass amplifier	YJ	NP
	9-8940		Installation—Remote compass amplifier	HM	NP
46	12003-1		Amplifier GFE	All	1
47	CQ1		Switch GFE	TA	1
	15-13874		Installation—Navigators instruments	DK	NP
	15-13874-3		Panel Assembly	AK	1
	15-13874-6		Panel Assembly	EN	1
48	6-16982		Panel Assembly—Navigators instruments	AK	1
	6-16982-1		Panel Assembly—Navigators instruments	EN	1
49	AN3022-2B		Switch—Single pole toggle	AK	1
50	NO NUMBER		Indicator—Radio compass (Type I-82) GFE	All	1
51	AN5752-1		Indicator—Gyro flux gate compass master GFE	All	1
	15-13874-2		Bracket Assembly	BK	1
52	AN5756-1		Switch Box—Gyro flux gate compass caging GFE	XJ	1
	AN5756-2		Switch Box—Gyro flux gate compass caging GFE	BL	1

Section I I
Group Assembly Parts List

AN 01-20EG-4

FUSELAGE

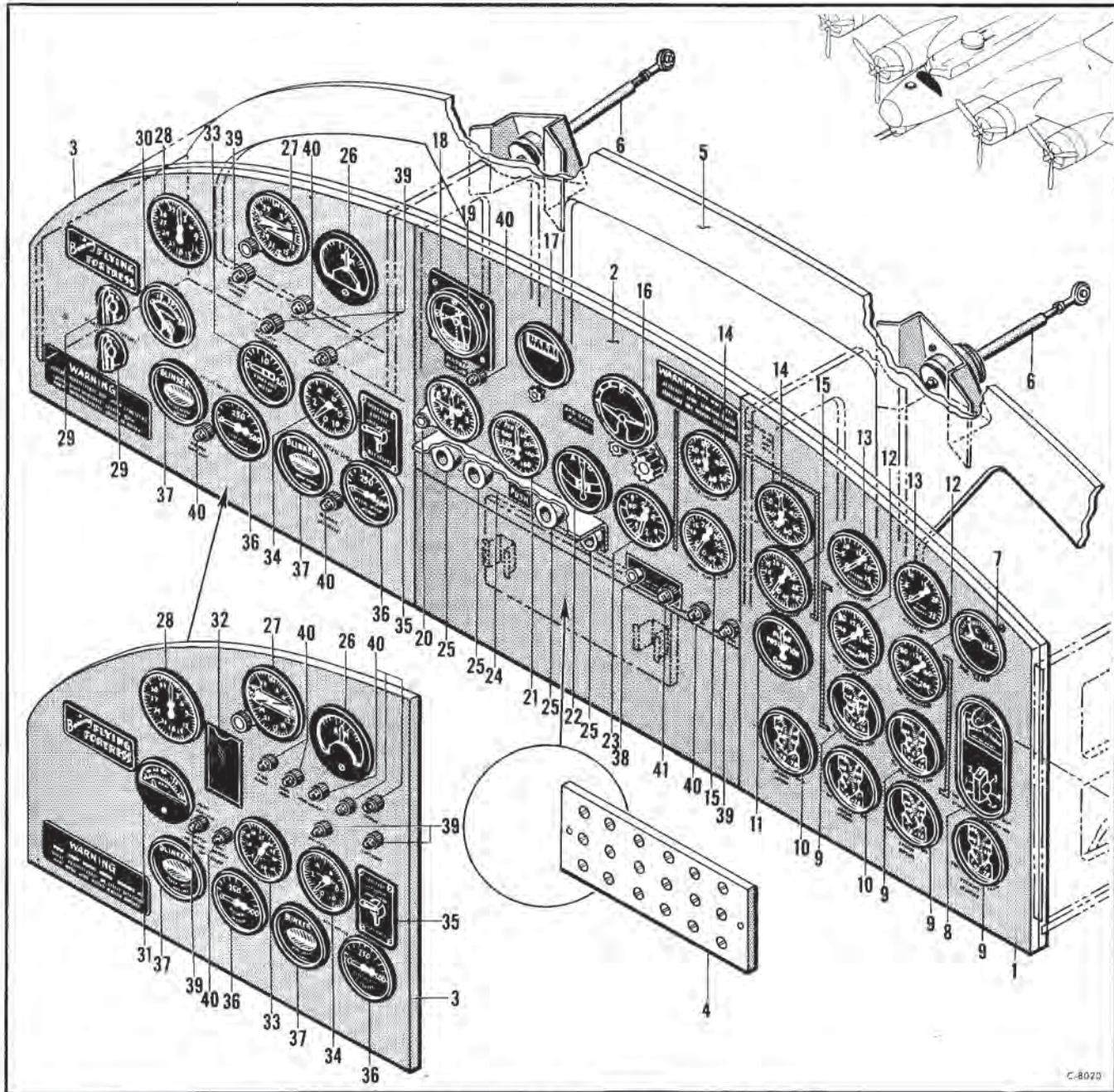


Figure 109—Pilots and Co-pilots Instrument Board

Pilots and Co-pilots Instrument Board

Figure & Index No.	Part Number	1 2 3 4 5 6 7	Nomenclature	Usage Code	Units Per Assy.
	65-7380-514		Installation—Pilots and co-pilots instrument board (see fig. 108)	ALL	NP
	65-7380-534		Board Assembly	N	1
	65-7380-540		Board Assembly	TF	1
	65-7380-542		Board Assembly	TH	1
	65-7380-545		Board Assembly	QI	1
	65-7380-544		Board Assembly	MJ	1
	65-7380-546		Board Assembly	MM	1
	65-7380-549		Board Assembly	BN	1
	65-7380-550		Board Assembly	MO	1
	65-7380-547		Board Assembly	TO	1
	65-7380-551		Board Assembly	CP	1

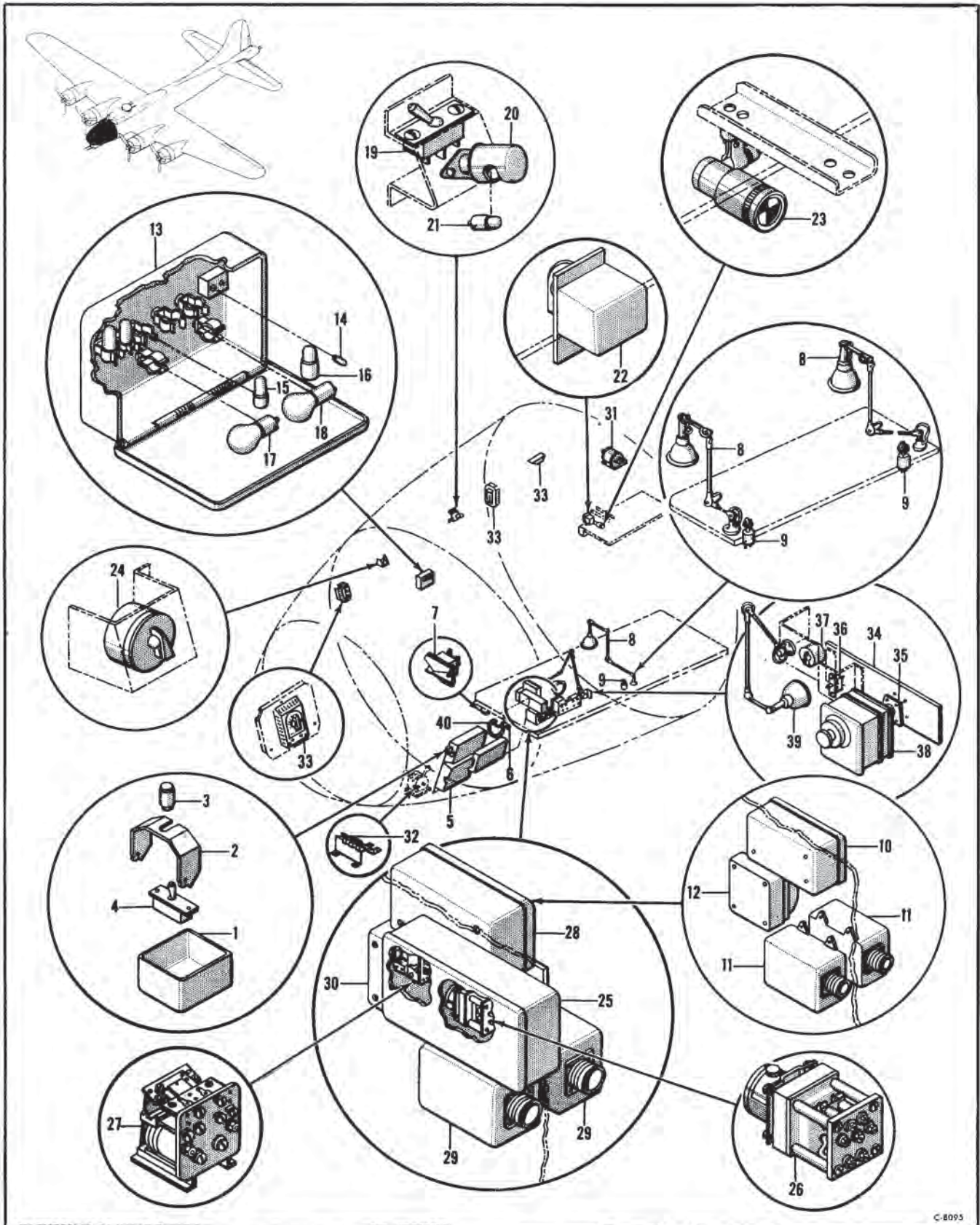
AN 01-20EG-4

FUSELAGE

Pilots and Co-pilots Instrument Board

Figure & Index No.	Part Number	1 2 3 4 5 6 7	Nomenclature	Usage Code	Units Per Assy.
	65-7380-555		Board Assembly	PQ	1
	6-10135-11		Panel Assembly—Co-pilots instrument	QA	1
	6-10135-14		Panel Assembly—Co-pilots instrument	OJ	1
	6-10135-15		Panel Assembly—Co-pilots instrument	EQ	1
109-1	6-10135-9		Panel	All	1
2	56-9294-509		Panel Assembly—Flight instrument	MA	1
	56-9294-510		Panel Assembly—Flight instrument	RI	1
	9-3725-14		Panel Assembly—Pilots instrument	HA	1
	9-3725-20		Panel Assembly—Pilots instrument	XH	1
	9-3725-24		Panel Assembly—Pilots instrument	SM	1
	9-3725-28		Panel Assembly—Pilots instrument	MO	1
	9-3725-25		Panel Assembly—Pilots instrument	TO	1
	9-3725-22		Panel Assembly—Pilots instrument	CP	1
	9-3725-32		Panel Assembly—Pilots instrument	PQ	1
3	9-3725-13		Panel—Pilots instrument	QB	1
	9-3725-23		Panel—Pilots instrument	SM	1
	9-3725-29		Panel—Pilots instrument	MO	1
	9-3725-26		Panel—Pilots instrument	TO	1
	9-3725-30		Panel—Pilots instrument	CP	1
	9-3725-33		Panel—Pilots instrument	PQ	1
4	3-14228-2		Panel Assembly—Connector	All	1
	1-21001		Insulator—Connector panel	All	1
5	55-7379-409		Frame Assembly—Pilots instrument board support	All	1
	15-7379-25		Bumper	All	2
	1-29304		Spacer—Fibre	All	1
6	41-5652-5		Rod Assembly—Shock mount	All	2
	REB3N		End (Fafnir)	All	1
7	47AC7K		Indicator—Thermometer (Lewis Eng. Co.) GFE (AN5790-6)	All	1
8	EA47-2C		Indicator Assembly—Fuel quantity (Liquidometer)	All	1
9	77AT2K		Thermometer and Oil Temperature Indicator (Lewis Eng. Co.) GFE (AN5795-6)	All	4
10	NO NUMBER		Indicator—Thermocouple (Type B-11) (Spec 94-27971A) GFE	All	2
11	5911-12B		Indicator—Flap position (Bendix)	All	1
12	AN5772-2		Gage—Dual pressure (oil) GFE	All	2
13	AN5772-1		Gage—Dual pressure (fuel) GFE	All	2
14	AN5770-2		Gage—Manifold pressure GFE	All	2
15	AN5530-2		Indicator—Electric tachometer GFE	All	2
16	656768		Indicator—Flight (gyro-horizon) (Sperry) GFE (AN5736-1)	All	1
17	649742		Indicator—Turn (directional gyro) (Sperry) GFE (AN5735-1)	All	1
18	3-18549		Patch Assembly—Flight instrument	TB	1
19	NO NUMBER		Indicator—Radio receiving (Type I-101) (Type RC-103) GFE	EN	1
20	AN5760-2		Altimeter—Pressure GFE	All	1
21	NO NUMBER		Indicator—Airspeed (Spec 94-27953) (Type D-7) GFE	MA	1
	NO NUMBER		Indicator—Airspeed (Spec 94-27335) (Type F-2) GFE	RI	1
22	AN5820-2		Indicator—Turn and bank GFE	All	1
23	AN5825-2		Indicator—Rate of climb GFE	All	1
24	1-18509-5		Guard Assembly—Propeller feathering switch	All	1
25	65-7380-521		Switch—Propeller feathering	OA	4
	2CC1B4		Switch—Propeller feathering (General Electric) GFE	KJ	4
26	NO NUMBER		Indicator—Pilots director (Spec C24863) (Type D1Z) GFE	All	1
27	10061-1E		Indicator—Remote compass GFE	All	1
28	NO NUMBER		Indicator—Radio compass (Type D81A) GFE	All	1
29	1-22746-1		Control Assembly	QB	2
30	NO NUMBER		Voltmeter (Model 517) (Type S-15172) (Weston)	IC	1
31	AN3202-1		Voltmeter—Alternating current GFE	WO	1
32	074837-1		Case	OL	1
	074837-2		Cover	OL	1
33	6732-03		Gage—Hydraulic oil pressure (Manning, Maxwell, Moore) (AN5771-4A)	BC	1
	AN5771-3A		Gage—Single pressure (de-icer) GFE	NO	1
34	AN5771-5A		Gage—Single pressure (suction) GFE	All	1
35	AN5831-1		Valve—Static pressure selector GFE	All	1
36	NO NUMBER		Gage—Oxygen pressure (Spec 27368) (Type K-1) GFE	All	2
37	AN6029-1		Indicator—Oxygen flow GFE	All	2
38	624		Button (Edwards & Co.)	All	1
39	42B3593-1		Lamp Assembly (red)	All	4
40	42B3593-2		Lamp Assembly (amber)	All	9
41	42B3593-3		Lamp Assembly (green)	All	1
	AN3121-313		Lamp—T3 1-4 single-contact GFE	All	12

FUSELAGE



C-8095

Figure 110—Nose Section Electrical

AN 01-20EG-4

FUSELAGE

Nose Section Electrical

Figure & Index No.	Part Number	1 2 3 4 5 6 7	Nomenclature	Usage Code	Units Per Assy.
			Nose Section Electrical		
	55-7332		Installation—Electrical equipment	All	NP
	3-12921		Installation—Bomb release switch	TA	NP
	3-12023		Shield Assembly—Bomb release	TA	1
110-1	41-9981-1		Shield Assembly—Junction box	TA	1
2	1-19823		Guard Assembly	TA	1
3	24-1164		Extension—Lever (Cutler-Hammer)	TA	1
	1-29254		Spring—Latch	TA	1
	21-2366-32-11		Washer	TA	2
4	AN3022-7B		Switch—Single pole toggle	TA	1
5	55-7351		Installation—Bombers control panel (see fig. 116)	All	NP
	6-11312		Installation—Fluorescent bombers lamp	All	NP
6	1-22746		Lamp Assembly—Fluorescent (make from Type C-5)	QB	1
	3-27935		Lamp Assembly—Fluorescent	XM	1
	3-20228		Installation—Blackout switch	HA	NP
7	3-20228-1		Switch Assembly—Blackout	HA	1
	AN3022-2B		Switch—Single pole toggle (Type B5A)	HA	1
	21-7606		Guard—Switch support	HA	1
	6-11489		Installation—Chart table lamp	AD	NP
8	NO NUMBER		Lamp Assembly—Cabin (Spec 94-32372) (Type A-11)	HA	2
	NO NUMBER		Lamp Assembly—Cabin (Spec 94-32372) (Type A-11)	GI	1
9	NO NUMBER		Rheostat—25 watt (Spec 94-32009) (Type C-1)	HA	2
	AN3155-25-25		Rheostat—Aircraft power	GI	1
	9-5877		Installation—Time and bomb relay	HA	NP
10	43-11520-402		Relay Assembly—Time delay	HA	1
	NC28-24V		Relay (American Gas Accumulator Co.)	HA	1
11	RS2		Selector—Rack (P. R. Mallory and Co.)	HA	2
12	3-14686		Bell—Alarm	HA	1
	6-11583		Installation—Spare lamps panel	All	NP
	9-5405-3		Box Assembly—Spare lamp	ZB	1
	9-5405-9		Box Assembly—Spare lamp	FO	1
13	6-12412		Box Assembly—Spare lamp	All	1
	3-16696		Spring	All	1
14	39A3906-2		Lamp GFE	All	2
15	AN3121-2		Lamp—T3 1-4 single-contact GFE	All	3
16	AN3123-301		Lamp—T4 1-2 single-contact GFE	All	1
17	AN3124-307		Lamp—S-8 single-contact GFE	All	1
18	AN3132-308		Lamp—S-8 double contact GFE	All	1
	6-13937		Installation—Drift recorder lamp	All	NP
	6-13937-1		Lamp Assembly	All	1
19	AN3022-5B		Switch—Single pole toggle	All	1
20	38A1762		Lamp Assembly	All	1
21	AN3123-301		Lamp—T4 1-2 single contact GFE	All	1
	3-20128		Installation—Fluorescent lamp control	HA	NP
22	3-20128-1		Control Assembly	HA	1
	1-22746-1		Control (Spec 94-32356) (Type C-5)	HA	1
	6-15258		Installation—Navigators fluorescent lamp	HA	NP
23	1-22746		Lamp Assembly—Fluorescent (Spec 94-32356) (Type C-5)	HA	1
	9-9165		Installation—Gunsight light rheostat	HO	NP
24	NO NUMBER		Rheostat (Spec 94-32229D) (Type 010)	HO	1
	15-13871		Installation—Navigators table electrical equipment	JI	NP
	15-13871-1		Shield Assembly	HI	1
	15-13871-6		Shield Assembly	SQ	1
25	6-7625		Shield Assembly—Electrical junction	HI	1
	6-7625-6		Shield Assembly—Electrical junction	SQ	1
26	35407		Relay (Guardian Elec. Mfg. Co.)	JI	1
27	NO NUMBER		Relay (Spec 32439) (Type B-9)	JI	1
	15-13871-3		Relay Assembly	JI	1
28	43-11520-402		Relay Assembly—Time delay	JI	1
	NC28-24V		Relay (American Gas Accumulator Co.)	JI	1
29	RS2		Selector—Rack (P. R. Mallory and Co.)	JI	2
30	3-14686		Bell—Alarm	JI	1
31	D12364		Motor (Marquette) (see fig. 85)	All	Ref
32	6-13677		Switch Assembly—Bomb lock (see fig. 153)	HA	Ref
33	NO NUMBER		Rheostat (Spec 94-32357) (Type Q1A) GFE	All	3
	9-5501		Installation—Camera intervalometer	All	NP
	9-5502		Mount Assembly—Intervalometer	TA	1
	9-5502-2		Mount Assembly—Intervalometer	OK	1
	9-5502-3		Mount Assembly—Intervalometer	JQ	1
34	3-18926		Panel Assembly	TA	1
	6-17007		Panel—Intervalometer mount	DK	1
35	42A3524		Plate—Wedge	All	1
	9-5502-1		Channel Assembly	All	1
36	AN3022-2B		Switch—Single pole toggle (Type B5A)	All	1
37	AN3155-25-25		Rheostat—Aircraft power	CK	1
38	NO NUMBER		Intervalometer (Spec 75-188) (Type B3) (installed by government)	All	1
39	NO NUMBER		Lamp Assembly—Cabin (Spec 94-32372) (Type A-11) GFE	CK	1
40	42D4499		Band Assembly—Bombardier head	All	1

AN 01-20EG-4

FUSELAGE

Pilots Compartment Electrical Equipment

Figure & Index No.	Part Number	1 2 3 4 5 6 7	Nomenclature	Usage Code	Units Per Assy.
			Pilots Compartment Electrical Equipment		
			Installation—Electrical equipment	All	NP
111-1	55-7332		Installation—Central control board (see fig. 112)	All	NP
	15-7382		Installation—Pilots lamp and accelerometer	Y	NP
	9-5525		Lamp Assembly—Fluorescent	Y	1
2	1-22746		Installation—Pilots control panel shield (see fig. 112)	All	NP
3	14-3281		Installation—Instrument panel lamp	All	NP
	6-11572		Lamp Assembly (LH)	All	1
	6-11572-3		Lamp Assembly (RH)	All	1
4	38A1762		Lamp Assembly (Type A-6)	All	1
5	1-24927		Support Assembly—Light switch (used on 6-11572-2 only)	All	1
	AN3022-5B		Switch—Single pole toggle	All	1
6	AN3123-301		Lamp—T4 1-2 single-contact GFE	All	2
	6-11315		Installation—Fluorescent lamp (LH)	All	NP
	6-11315-1		Installation—Fluorescent lamp (RH)	All	NP
	6-11315-2		Lamp Assembly	QB	1
	6-11315-3		Lamp Assembly	XM	1
7	1-22746		Lamp Assembly—Fluorescent	QB	1
	3-27935-1		Lamp Assembly—Fluorescent	XM	1
	3-15192		Clamp Assembly—Lamp support	All	1
	6-11567		Installation—Pilots compass lamp	All	NP
8	1-22746		Lamp Assembly—Fluorescent	QB	1
	3-27935-1		Lamp Assembly—Fluorescent	XM	1
9	1-22746-1		Control Assembly	QB	1
	6-13180		Installation—Cockpit lamp	All	NP
	6-13180-1		Plate Assembly	Y	1
	6-13180-3		Plate Assembly	WG	1
10	6-13180-2		Plate	Y	1
	6-13180-4		Plate	WG	1
11	38A1762		Lamp Assembly (Type A-6)	All	1
12	AN3022-5B		Switch—Single pole toggle	All	1
13	AN3131-303		Lamp—G-6 single-contact GFE	All	1
	6-11570		Installation—Dome lamp	All	NP
14	37B4983		Lamp Assembly (Type A-5)	All	1
15	6-11570-1		Lamp GFE	All	1
16	AN3022-2B		Switch—Single pole toggle	All	1
	9-4604		Installation—Radio compass transformer	HA	NP
17	T46914		Transformer (Thordarson Elec Mfg. Co.)	HA	1
	6-13175		Installation—Cockpit lamp (LH)	All	NP
	6-13175-3		Installation—Cockpit lamp (RH)	All	NP
	6-13175-1		Support Assembly—Lamp	All	1
18	38A1762		Lamp Assembly	All	1
19	AN3022-5B		Switch—Single pole toggle	All	1
20	AN3131-303		Lamp—G-6 single-contact GFE	All	1
	6-7899-2		Installation—De-icer pump rheostat	All	NP
21	567-1		Rheostat—De-icer (Eclipse Aviation Corp.)	CB	2
	5543		Rheostat—De-icer (Ohmite Mfg. Co.)	IL	2
22	AN3022-2B		Switch—Single pole toggle	CB	1
23	21-7606-1		Guard—Toggle switch	CB	1
	6-10493		Installation—Alternating current power box	All	NP
24	6-10493-8		Box Assembly	ZB	1
	6-10493-10		Box Assembly	GO	1
	8-1280		Installation—Dynamotor and inverter (LH)	All	NP
	8-1280-1		Installation—Dynamotor and inverter (RH)	TC	NP
25	NO NUMBER		Inverter (Spec 32270) GFE	All	1
	6-10098		Installation—External power source receptacle	All	NP
	6-10098-1		Receptacle Assembly	CB	1
26	R3082		Receptacle (Mines Equipment Co.)	CB	1
	1-21950		Fitting—Power receptacle	CB	1
27	42B3748		Receptacle Assembly	All	1
28	42B6927		Adapter Assembly GFE	IL	1
	15-7985		Installation—Generator voltage regulator	All	NP
	15-7985-14		Shield Assembly	Y	1
	15-7985-15		Shield Assembly	VG	1
	15-7985-16		Shield Assembly	PQ	1
29	14-2870-13		Shield Assembly—Generator voltage regulator	Y	1
	14-2870-21		Shield Assembly—Generator voltage regulator	WG	1
30	NO NUMBER		Transformer Assembly (Spec 32485) (Type B-1)	PQ	4
31	40D8445-2		Base Assembly	All	4
32	NO NUMBER		Regulator—Generator voltage (Spec 94-32276) GFE	All	4
33	NO NUMBER		Switch—Solenoid (Spec 94-32324) GFE	All	1
	6-13137		Installation—Station 4 fuse panel lamp	All	NP
	6-13137-1		Lamp Assembly	All	1
34	AN3022-5B		Switch—Single pole toggle	All	1
35	38A1762		Lamp Assembly (Type A-6)	All	1
36	AN3131-303		Lamp—G-6 single-contact GFE	All	1
	6-12438		Installation—Spare lamps panel	All	NP
	9-5405-4		Box Assembly—Spare lamps	ZB	1
	9-5405-8		Box Assembly—Spare lamps	HO	1
37	6-12412		Box Assembly—Spare lamps	All	1
	3-16696		Spring	All	1
38	AN3121-2		Lamp—T3 1-4 single-contact GFE	All	7
39	AN3123-301		Lamp—T4 1-2 single-contact GFE	All	3
40	AN3124-307		Lamp—S-8 single-contact GFE	All	2
	6-10671		Installation—Hydraulic pump switch	All	NP
41	AN3371-1		Switch—Relay, 200 amp, SPST intermittent	All	1

Section II
Group Assembly Parts List

AN 01-20EG-4

FUSELAGE

Pilots Compartment Electrical Equipment

Figure & Index No.	Part Number	1 2 3 4 5 6 7	Nomenclature	Usage Code	Units Per Assy.
	6-9450		Installation—Fuel transfer pump switch	All	NP
111-42	6-9450-1		Guard Assembly	All	1
43	1-19951		Guard Assembly	All	1
44	AN3022-1B		Switch—Single pole toggle	All	1
45	3-10594		Switch	All	1
	1-18896		Connection—Switch handle	All	1
	55-7538-404		Installation—Station 4 fuse shield	EA	NP
	55-7538-413		Shield Assembly	EA	1
46	54-2079		Shield Assembly—Station 4 fuse	EA	1
47	75-7635-612		Panel Assembly—Station 4 fuse	EA	1
48	55-7538-402		Relay (24 volt single-contact C324D)	EA	1
49	AN3022-3B		Switch—Single pole toggle (step lamp)	EA	1
	3-14080		Installation—Fuel transfer capacitor	All	NP
50	CA275X		Capacitor (P. R. Mallory Co.)	All	1
	6-14780		Installation—Spare fluorescent lamp	EA	NP
51	3-16946		Holder—Spare lamps	EA	1
52	165-22-315E		Lamp—Fluorescent (General Electric Co.)	EA	2
	6-14424		Installation—A. F. C. E. heat receptacle	All	NP
53	6-14424-1		Receptacle Assembly	All	1
	7540		Receptacle (Harvey Hubbell)	All	1
	6-16278		Installation—Turret disconnect switch (upper)	NG	NP
54	NO NUMBER		Switch—Toggle (Spec 94-3227B) (Type B-16)	NG	1
55	3-24536		Guard Assembly—Toggle switch	NG	1
	6-16884		Installation—Fluorescent lamp	WG	NP
56	1-22746		Lamp Assembly	UG	1
	3-27935		Lamp Assembly	XM	1
	6-18929		Installation—Fluorescent lights resistor	XM	NP
57	6-18929-1		Panel Assembly	XM	1
	9-9153		Installation—Inverter control relay (LH)	WO	NP
	9-9153-1		Installation—Inverter control relay (RH)	WO	NP
58	9565H2A		Relay (Cutler-Hammer)	WO	1
59	NO NUMBER		Relay—Single pole (Spec 94-32351A) (Type B5B)	WO	1
60	44B18573		Relay (used on 9-9153 only)	WO	1
61	44B18574		Relay (used on 9-9153 only)	WO	1
	9-6073		Installation—Salvo and bomb door switch	FI	NP
	9-6073-1		Bracket Assembly	FI	1
62	3-20532		Bracket—Salvo switch	FI	1
63	AN3022-7B		Switch—Single pole toggle	FI	1
64	41-9981		Shield Assembly	FI	1
65	42B3593-1		Lamp Assembly (red)	FI	1
66	275		Light Assembly (red) (Drake Mfg. Co.)	FI	1
67	3-24506		Guard—Switch	FI	1
68	39A2511		Switch	FI	1
69	AN3121-2		Lamp—T3 1-4 single-contact GFE	FI	1
	9-10614		Installation—400 cycle inverter	WP	NP
70	NO NUMBER		Inverter (Spec 94-32270) GFE	WP	1
	9-10614-3		Filler	WP	2
	41-6975-24-9		Washer	WP	4
	15-11683		Installation—Station 4 fuse panel	QH	NP
	15-11684		Panel Assembly—Station 4 fuse	JH	1
	15-11684-25		Panel Assembly—Station 4 fuse	BI	1
	15-11684-31		Panel Assembly—Station 4 fuse	WO	1
	15-11684-1		Panel Assembly—Station 4 fuse	JH	1
	15-11684-23		Panel Assembly—Station 4 fuse	BI	1
	15-11684-32		Panel Assembly—Station 4 fuse	WO	1
71	2028		Relay (Leach Relay Co.)	All	1
72	14-4065		Installation—Switch panel (see fig. 118)	CQ	NP
73	14-4099		Installation—Formation stick equipment (see fig. 118)	PQ	NP
	6-12625		Installation—Relay and fuse box	EA	NP
	6-12625-5		Box Assembly—Fuse	J	1
	6-12625-7		Box Assembly—Fuse	IF	1
74	3-19627-6		Panel Assembly	J	1
	3-19627-10		Panel Assembly	IF	1
75	6-12624-5		Box Assembly	EA	1
76	2028		Relay Assembly (Leach Relay Co.)	EA	1
77	6-15229		Selector Assembly—Turbo (see fig. 119)	ZE	Ref
78	151		Switch Assembly—Pres reg (Geo. A. Starbird Co.) (see fig. 121)	All	Ref
79	IE678		Pump—Hydraulic (Pesco) (see fig. 121)	All	Ref
80	577-2		Valve Assembly—De-icer (Eclipse) (see T.O. 03-35B-4) (see fig. 136)	All	Ref
	6-13656		Installation—Window de-icer panel	All	NP
	6-13656-2		Panel Assembly	All	1
81	AN3022-1B		Switch—Single pole toggle	All	1
82	C6363-2-20A		Breaker—Circuit (Spencer Thermostat)	All	1
83	NO NUMBER		Rheostat (Spec 94-32357) (Type Q1A) GFE	All	3

FUSELAGE

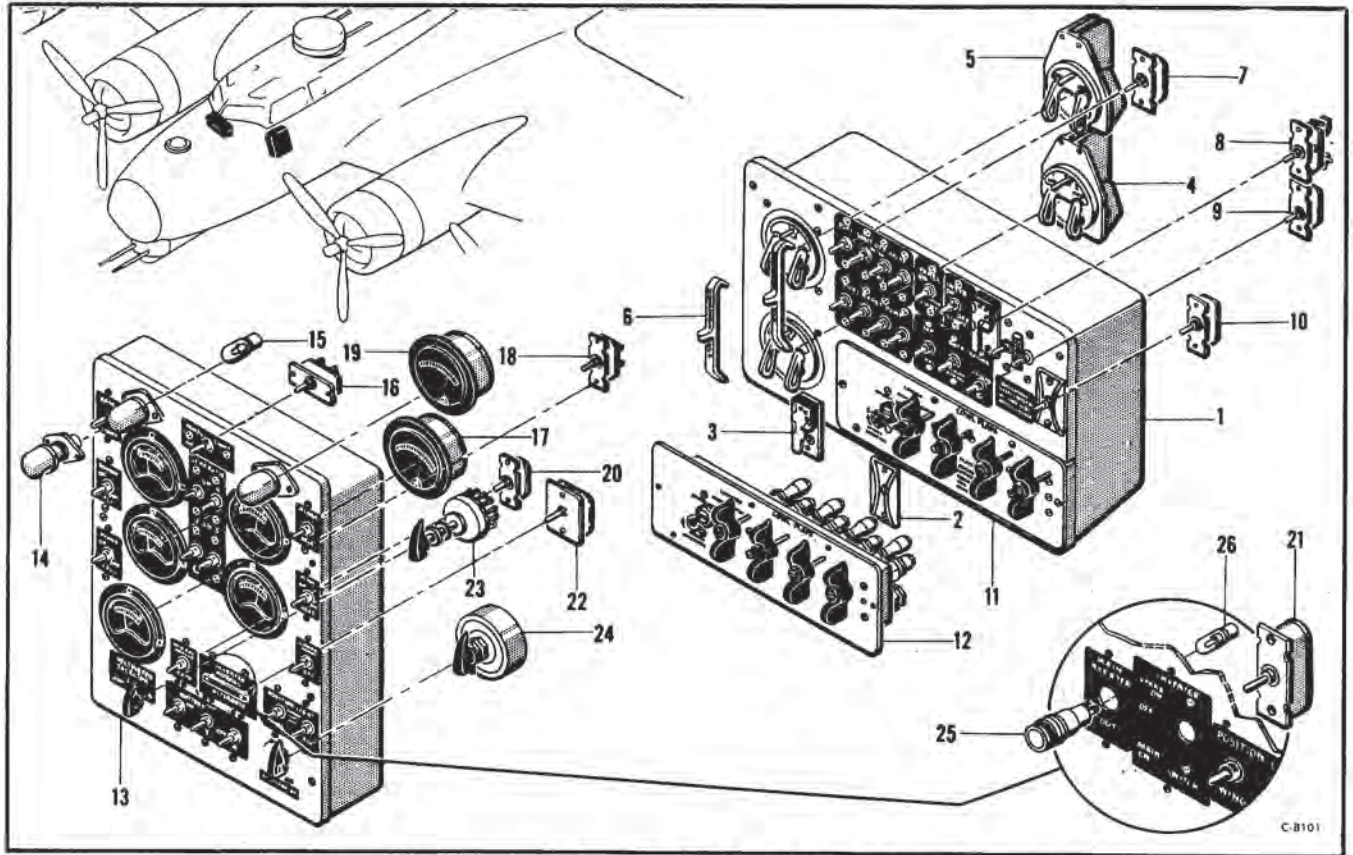


Figure 112—Central Control Board and Pilots Control Panel

Central Control Board and Pilots Control Panel

Figure & Index No.	Part Number	1 2 3 4 5 6 7	Nomenclature	Usage Code	Units Per Assy.
			Central Control Board and Pilots Control Panel		
			Installation—Central control board (see fig. 111)	AI	NP
112-1	15-7382		Panel Assembly—Central control	KB	1
	7-1961		Panel Assembly—Central control	ZL	1
	7-1961-10		Panel Assembly—Central control	HO	1
	7-1961-11		Panel Assembly—Central control	ZB	1
	7-1961-2		Panel Assembly	HO	1
2	7-1961-9		Guard Assembly	AI	1
3	7-1961-3		Guard Assembly—Landing gear switch	AI	1
4	21-7859		Switch—Ignition (Briggs and Stratton)	AI	1
5	85788		Switch—Ignition (Briggs and Stratton)	AI	1
	85787		Installation—Ignition switch link	AI	NP
6	41-4103-2		Link Assembly	YB	1
	41-4103-3		Link Assembly	ZN	1
	41-4103-4		Link Assembly	AI	10
7	AN3022-2B		Switch—Single pole toggle	AI	5
8	AN3022-1B		Switch—Single pole toggle	AI	1
9	40A5553		Switch	AI	1
10	AN3022-5B		Switch—Single pole toggle	AI	1
11	7-1961-1		Panel Assembly	AI	1
	6-9227-1		Panel	AI	1
	G10340		Valve—Cowl flap (Adel)	AI	1
12	14-3281		Installation—Pilots control panel shield (see fig. 111)	AI	NP
13	14-3281-9		Shield Assembly	Z	1
	14-3281-8		Shield Assembly	XG	1
	14-3281-11		Shield Assembly	UO	1
	14-3281-13		Shield Assembly	LP	1
	14-3281-16		Shield Assembly	QQ	1
	54-2358-403		Shield Assembly—Pilots control panel	IC	1
	54-2358-410		Shield Assembly—Pilots control panel	UO	1
	54-2358-412		Shield Assembly—Pilots control panel	MP	1
	1-23592		Washer—Laminated phenolic	AI	8
14	38A1762		Lamp Assembly (Type A-6)	AI	2
15	AN3121-301		Lamp—T3 1-4 single contact GFE	AI	2
16	AN3022-5B		Switch—Single pole toggle	AI	1
17	NO NUMBER		Ammeter (Spec 94-32173A) (Type E-1) GFE	AI	4
18	AN3022-2B		Switch—Single pole toggle	AI	10
19	NO NUMBER		Voltmeter (Spec 94-32172) (Type B-1) GFE	AI	1
20	AN3022-8B		Switch—Single pole toggle	AI	3
21	AN3022-1B		Switch—Single pole toggle	AI	2
22	39A2512		Switch Assembly (Type C-2)	IC	2
23	3215J		Switch Assembly (P. R. Mallory and Co.)	AI	1
24	5543		Rheostat (Ohmite Mfg. Co.)	AI	1
25	42B3593-1		Lamp Assembly—Indicator GFE	AI	1
26	AN3121-313		Lamp—T3 1-4 single contact GFE	AI	1

FUSELAGE

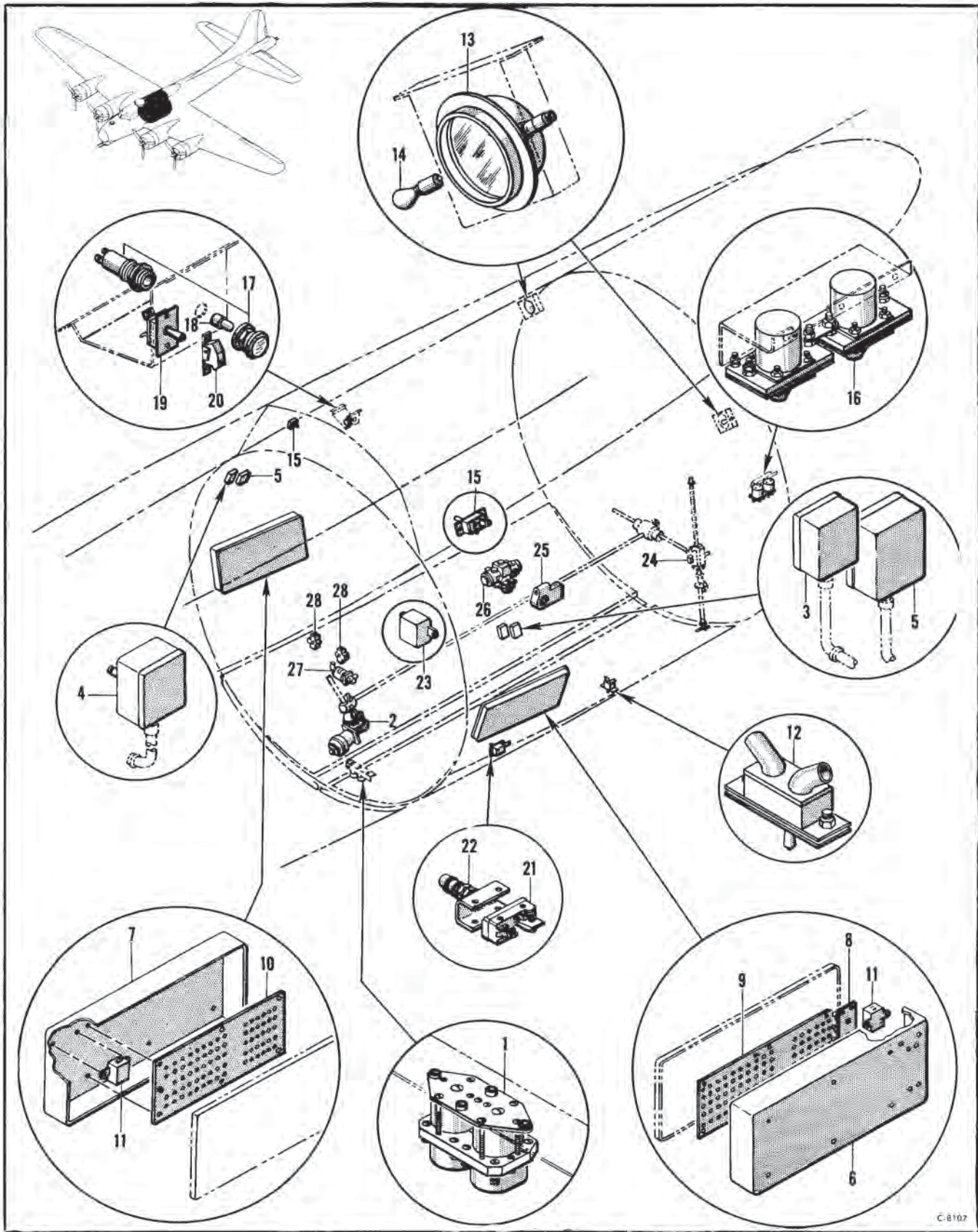


Figure 113—Forward Center Fuselage Electrical Equipment

AN 01-20EG-4

FUSELAGE

Forward Center Fuselage Electrical Equipment

Figure & Index No.	Part Number	1 2 3 4 5 6 7	Nomenclature	Usage Code	Units Per Assy.
	55-7332		Forward Center Fuselage Electrical Equipment		
	3-19530		Installation—Electrical equipment	All	NP
113-1	NO NUMBER		Installation—Bomb door solenoid	All	NP
	6046H11		Switch—Solenoid (Spec 94-32181) (Type D-1)	HA	1
	LN2		Solenoid (Cutler-Hammer)	CI	1
	9-2938-1		Solenoid (Square D Co.) (24 volts)	ZO	1
2	1073-1A		Installation—Bomb door motor	All	NP
	1073-1B		Motor—Bomb door (Eclipse) (see T.O. 03-1-5)	MB	1
	6-9509		Motor—Bomb door (Eclipse) (see T.O. 03-1-5)	FM	1
	6-9509-1		Installation—Generator wing break shield (LH)	All	NP
3	6-9509-2		Installation—Generator wing break shield (RH)	All	NP
4	6-9509-3		Shield Assembly (LH)	All	1
	6-7889		Shield Assembly (RH)	All	1
	6-7889-1		Installation—Ignition box (LH)	All	NP
5	21-8364-4		Installation—Ignition box (RH)	All	NP
	21-8891-4		Box Assembly—Electrical junction	All	1
	14-2072		Panel Assembly—Connector	All	1
	14-2072-1		Installation—Wing junction shield (LH)	All	NP
	14-2072-10		Installation—Wing junction shield (RH)	All	NP
	14-2072-11		Shield Assembly (LH)	OD	1
	14-2072-12		Shield Assembly (RH)	G	1
	14-2072-13		Shield Assembly (LH)	EF	1
	14-2072-19		Shield Assembly (RH)	CF	1
6	6-9325-4		Shield Assembly (RH)	IL	1
	6-9325-8		Shield Assembly—Junction (LH)	OD	1
7	6-9325-1		Shield Assembly—Junction (LH)	EF	1
	6-9325-9		Shield Assembly—Junction (RH)	G	1
8	3-16953		Shield Assembly—Junction (RH)	DF	1
9	9-3600-4		Panel Assembly—LH wing connector	All	1
10	9-3601		Panel Assembly—LH wing connector	All	1
11	CA275X		Panel Assembly—RH wing connector	All	1
	3-13374		Capacitor (P. R. Mallory)	All	1
12	3-13374-1		Installation—Bomb door safety switch	HA	NP
	AN3022-8B		Switch Assembly	HA	1
	3-8728-6		Switch—Single pole toggle	HA	1
	3-10826		Spring Assembly	HA	1
	3-10826-1		Installation—Bomb bay lamp (LH)	All	NP
13	37B4983		Installation—Bomb bay lamp (RH)	All	NP
14	3-10826-6		Lamp Assembly—Cabin (Type A-5)	All	1
	41-7288		Lamp GFE	All	1
	6-14117		Spacer	All	3
	6-14117-1		Installation—Bomb rack switch (LH)	All	NP
	6-14117-2		Installation—Bomb rack switch (RH)	All	NP
	6-14117-3		Bracket Assembly (LH)	All	1
15	AN3022-2B		Bracket Assembly (RH)	All	1
	6-14948		Switch—Single pole toggle	All	1
16	987-4		Installation—Flap motor solenoid	All	NP
	NO NUMBER		Solenoid (Eclipse) (see T.O. 03-1-5)	CB	2
	6-15200		Solenoid (Spec 94-32324B) (Type B-4)	IL	2
17	109GGR		Installation—Crews salvo switch	II	NP
18	AN3121-2		Light Assembly (Korry Mfg. Co.)	II	1
19	39A2511		Lamp—T3 1-4 single-contact GFE	II	1
20	3-24506		Switch (Type C-1)	II	1
	9-7304		Guard—Switch	II	1
	9-7304-1		Installation—Bomb door switch	II	NP
21	YZR31		Switch Assembly	II	1
22	M2		Switch (Micro Switch Corp.)	II	1
	3-19599		Actuator (Micro Switch Corp.)	II	1
23	CA275X		Installation—Capacitor	All	NP
24	WZR31		Capacitor (P. R. Mallory)	All	1
25	9-5259-6		Switch (Micro Switch Corp.) (see fig. 155)	OA	Ref
26	574-2		Switch Assembly—Limit (see fig. 157)	KJ	Ref
27	RG4430-2		Valve Assembly—De-icer distributor (Eclipse) (see T.O. 03-35B-4) (see fig. 139)	All	Ref
28	940167		Pump Assembly—Fuel transfer (Romec) (see fig. 105)	All	Ref
			Valve—Fuel transfer selector (Type PG-4) (Aero Supply) (see AN03-10-39) (see fig. 106)	All	Ref

FUSELAGE

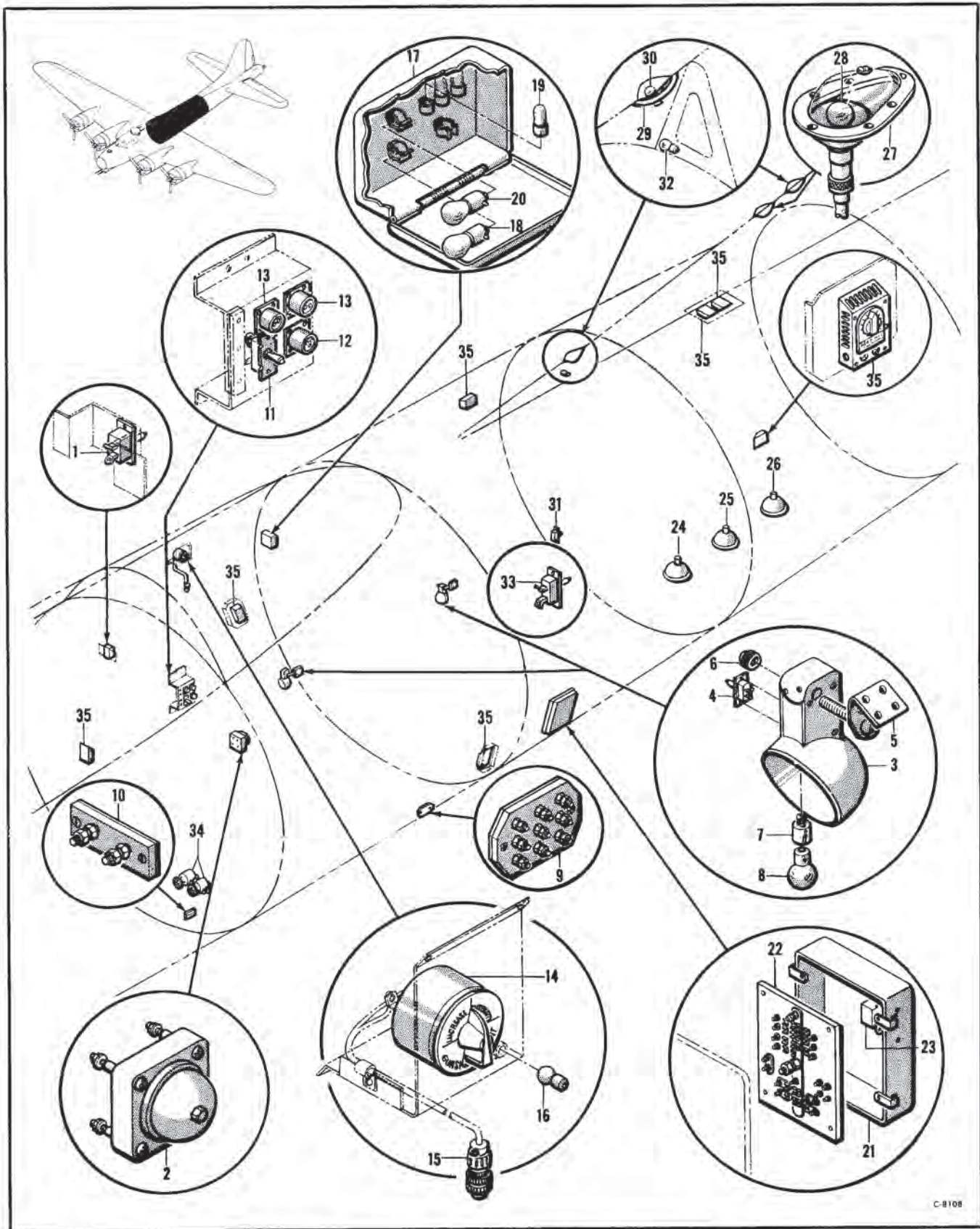


Figure 114—Aft Center Fuselage Electrical Equipment

AN 01-20EG-4

FUSELAGE

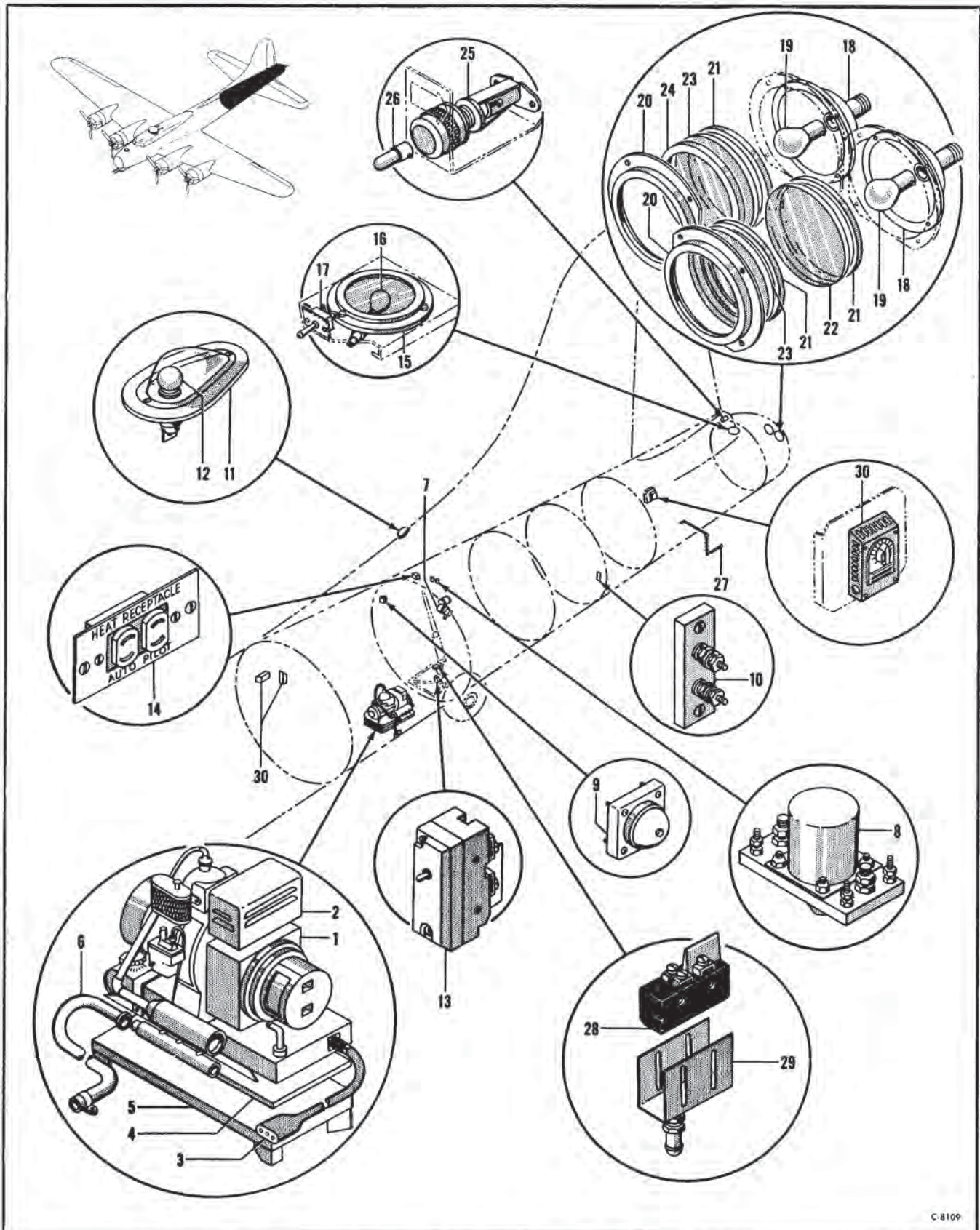
Aft Center Fuselage Electrical Equipment

Figure & Index No.	Part Number	1 2 3 4 5 6 7	Nomenclature	Usage Code	Units Per Assy.
			Aft Center Fuselage Electrical Equipment.....	All	NP
	55-7332		Installation—Electrical equipment.....	All	NP
	6-13372		Installation—Bomb bay light switch.....	All	NP
114-1	AN3022-3B		Switch—Single pole toggle.....	All	1
	46-9346		Installation—Radio compartment signal.....	All	NP
2	3-14686		Bell—Alarm.....	All	1
	56-7758		Installation—Radio compartment lamp (LH).....	All	NP
	56-7758-1		Installation—Radio compartment lamp (RH).....	All	NP
	6-7734		Lamp Assembly—Shaded (LH forward).....	All	1
	6-7734-1		Lamp Assembly—Shaded (LH aft).....	All	1
3	9-5892		Housing Assembly—Lamp.....	All	1
4	AN3022-2B		Switch—Single pole toggle.....	All	1
5	3-11351		Bracket Assembly—Radio lamp.....	All	1
6	41-8428		Knob—1-4 threaded.....	All	1
7	37A4527		Socket Assembly.....	All	1
8	NO NUMBER		Lamp (21CP-28V) (S-8 clear bulb) (5-C base) GFE.....	All	1
	3-13626		Installation—Rear wing junction panel.....	All	NP
9	3-13370		Panel Assembly—Connector.....	All	1
	41-8835		Insulator.....	All	1
	3-21395-1		Installation—Panel connector.....	All	NP
10	1-17244		Panel Assembly—Connector.....	All	1
	1-18382		Insulator.....	All	1
	6-12851		Installation—Camera equipment receptacle.....	All	NP
	6-12851-1		Channel Assembly.....	All	1
11	AN3022-2B		Switch—Single pole toggle.....	All	1
12	AN3106-16S6P		Plug—Electrical connector.....	All	1
13	AN3102-16-11S		Receptacle—Electrical connector.....	All	2
	9-6882		Installation—Gun sight light rheostat.....	KJ	NP
	9-6882-1		Panel Assembly.....	ZI	1
	9-6882-4		Panel Assembly.....	GN	1
14	NO NUMBER		Rheostat (spec 94-32229D) (type 01C).....	All	1
15	AN3106-10S2S		Plug—Electrical connector.....	All	1
16	9-6882-3		Lamp GFE.....	GN	1
	6-12436		Installation—Spare lamps panel.....	All	NP
	9-5405-5		Box Assembly—Spare lamps.....	TD	1
	9-5405-6		Box Assembly—Spare lamps.....	ZI	1
17	6-12412		Box Assembly—Spare lamps.....	All	1
	3-16696		Spring.....	All	1
18	9-5405-7		Lamp—Spare GFE.....	ZI	1
19	AN3121-2		Lamp—T3 1-4 single-contact GFE.....	All	3
20	AN3124-307		Lamp—S-8 single-contact GFE.....	All	1
	69-3659		Installation—Station 6 fuse shield.....	All	NP
	69-3659-614		Shield Assembly.....	HA	1
	69-3659-615		Shield Assembly.....	ZH	1
	69-3659-616		Shield Assembly.....	EN	1
21	7-1535		Shield Assembly.....	All	1
22	7-1646-17		Panel Assembly—Fuse.....	HA	1
	7-1646-19		Panel Assembly—Fuse.....	J1	1
23	CA275X		Capacitor (P. R. Mallory).....	All	1
	14-3004		Installation—Recognition lights lamp.....	All	NP
24	AN3096-5		Light Assembly—Downward recognition (amber) GFE.....	All	1
25	AN3096-6		Light Assembly—Downward recognition (green) GFE.....	All	1
26	AN3096-4		Light Assembly—Downward recognition (red) GFE.....	All	1
	6-10437		Installation—Identification light.....	ZB	NP
27	AN3097-2		Light Assembly—Upward recognition GFE.....	ZB	1
28	6-10437-1		Lamp GFE.....	ZB	1
	3-12999		Installation—Body position light lamp.....	All	NP
29	37B4962-7		Lamp Assembly GFE.....	All	1
30	3-12999-2		Lamp GFE.....	All	1
	6-14926		Installation—Auxiliary power plant switch.....	E	NP
31	8851		Switch (Cutler-Hammer).....	E	1
	3-29907		Installation—Spare lamp.....	GN	NP
32	3-29907-1		Lamp—Spare GFE.....	FN	2
	3-29907-2		Lamp—Spare.....	WQ	2
	3-24561		Installation—Turret disconnection switch.....	All	NP
33	NO NUMBER		Switch (spec 94-32227B) (type B-16).....	All	1
34	744-6		Pump Assembly—Propeller anti-icer (Eclipse) (see T.O. 03-1-5) (see fig. 138).....	CB	Ref
	AN6100-1		Pump Assembly—Fluid metering (see fig. 138).....	IL	Ref
35	NO NUMBER		Rheostat (spec 94-32357) (type Q1A) GFE.....	All	7

Section I I
Group Assembly Parts List

AN 01-20EG-4

FUSELAGE



C-8109

Figure 115—Aft Fuselage Electrical Equipment

AN 01-20EG-4

FUSELAGE

Aft Fuselage Electrical Equipment

Figure & Index No.	Part Number	1 2 3 4 5 6 7	Nomenclature	Usage Code	Units Per Assy.
			Aft Fuselage Electrical Equipment.....		
	55-7332		Installation—Electrical equipment.....	All	NP
	15-7983		Installation—Auxiliary power plant.....	All	NP
115-1	NO NUMBER		Power Plant—Auxiliary (Spec 94-32313) GFE.....	All	1
2	NO NUMBER		Regulator—Voltage (Spec 94-32276) GFE.....	All	1
	15-7983-1		Connector Assembly.....	All	1
3	3-15131		Plug Assembly—Electrical connector.....	All	1
	AN3057-16		Adapter—Electrical.....	All	1
	AN3106-28-5S		Plug—Electrical connector.....	All	1
4	15-7983-2		Frame Assembly—Mount GFE.....	All	1
5	8-1532-7		Support Assembly—Auxiliary power plant.....	E	1
	3-19041		Strap Assembly—Power cable.....	E	1
6	15-7983-8		Tube—Exhaust.....	E	1
	55-7622		Installation—Tail gear retracting motor.....	All	NP
7	1227-1A		Motor Assembly—Tail gear (see AN03-5CC-26).....	All	1
	6-9474		Installation—Tail wheel solenoid.....	All	NP
	6-9474-2		Solenoid Assembly.....	CB	1
8	NO NUMBER		Switch—Solenoid (Spec 94-32181) (Type D-1).....	CB	2
	NO NUMBER		Switch—Solenoid (Spec 94-32324B) (Type B-4).....	IL	2
	6-8944		Installation—Gunners bell.....	All	NP
9	3-14686		Bell—Alarm.....	All	1
	1-17565-1		Installation—Station 9 panel.....	HA	NP
10	1-17244		Panel Assembly—Connector.....	HA	1
	1-18382		Insulator.....	HA	1
	3-12999		Installation—Body position light lamp.....	All	NP
11	37B4962-7		Lamp Assembly GFE.....	All	1
12	3-12999-2		Lamp (3CP28V-T4 1-2 SC clear bulb) GFE.....	All	1
	6-13928		Installation—Tail gear switch.....	All	NP
13	AN3210-1		Switch—Low travel limit.....	All	2
	6-14425		Installation—A.F.C.E. heat receptacle.....	All	NP
14	6-14425-1		Receptacle Assembly.....	All	1
	7540		Receptacle (Harvey Hubbell Inc.).....	All	1
	3-15137		Installation—Rear gunner dome light lamp.....	All	NP
15	37B4983		Lamp Assembly.....	All	1
16	AN3124-307		Lamp—S-8 single contact GFE.....	All	1
	41-7288-2		Spacer.....	All	3
17	AN3022-2B		Switch—Single pole toggle.....	All	1
	9-3581		Installation—Bomb release lamp.....	All	NP
18	37D4865-1		Lamp Assembly.....	All	2
19	9-3581-1		Lamp (100CP28V-6 16 1-2 bulb SC bayonet cand base) GFE.....	All	2
20	3-12996		Retainer—Lamp lens.....	All	2
21	36B3422		Gasket.....	All	3
22	36B3423		Glass.....	All	1
23	41-8573		Lens—Signal lamp.....	All	2
24	9-3581-2		Filler.....	All	1
	6-14518		Installation—Oxygen warning light (LH).....	XB	NP
	6-14518-1		Installation—Oxygen warning light (RH).....	XB	NP
25	42B3593-2		Lamp Assembly—Indicator GFE.....	All	1
26	AN3121-313		Lamp—T3 1-4 single contact GFE.....	All	1
	3-13503		Installation—Static ground wire.....	XL	NP
27	3-13503-4		Wire Assembly.....	XL	1
	3-20754		Installation—Tail gear limit switch.....	All	NP
28	AN3210-1		Switch—Low travel limit.....	All	1
29	M2		Actuator (Micro Switch).....	All	1
30	NO NUMBER		Rheostat (Spec 94-32357) (Type Q1A) GFE.....	All	3

Section I I
Group Assembly Parts List

AN 01-20EG-4

FUSELAGE

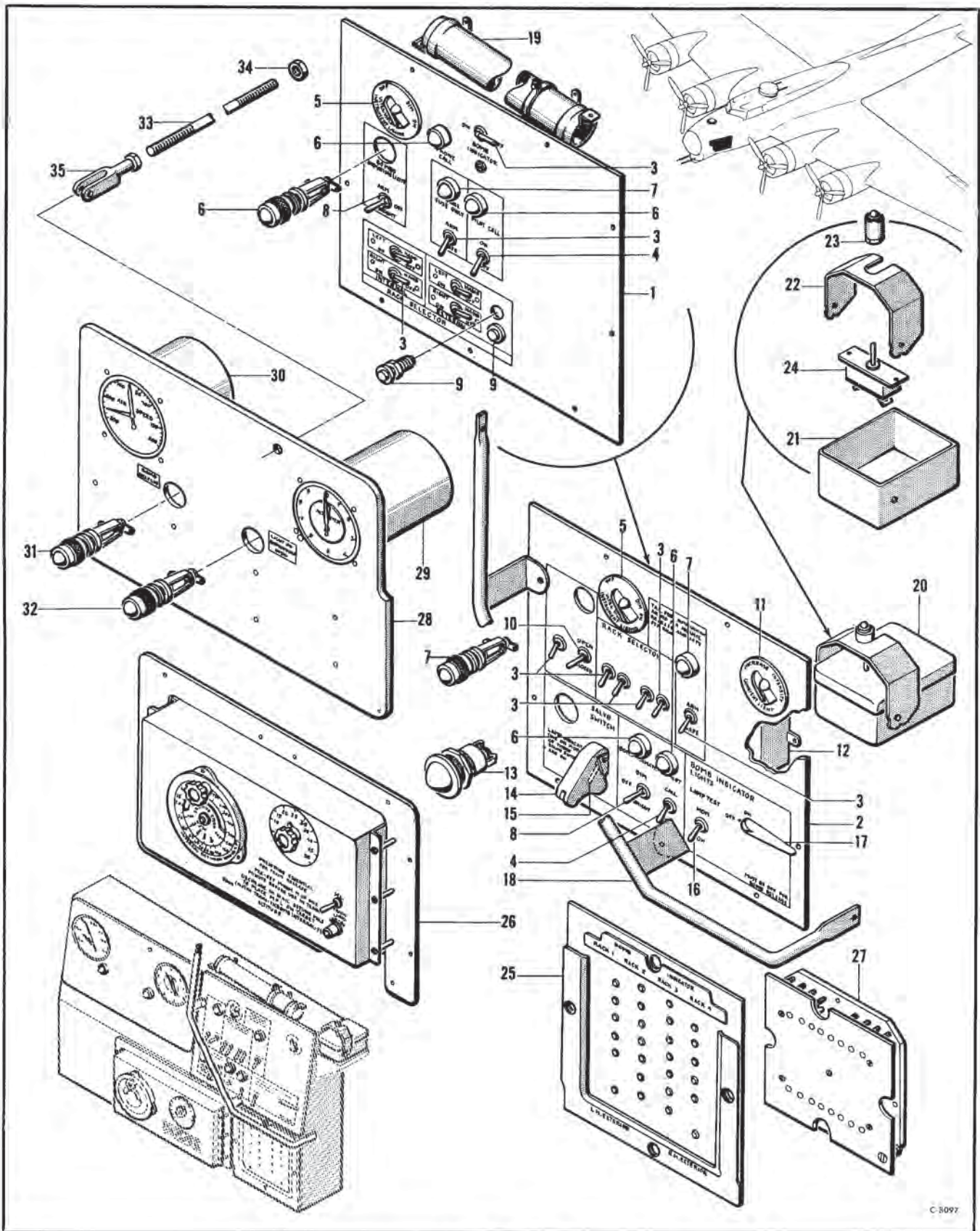


Figure 116—Bomber's Control and Instrument Panel

AN 01-20EG-4

FUSELAGE

Bombers Control and Instrument Panel

Figure & Index No.	Part Number	1 2 3 4 5 6 7	Nomenclature	Usage Code	Units Per Assy.
			Bombers Control and Instrument Panel		
	55-7351		Installation—Bombers control panel (see fig. 110)	All	NP
	6-12609-7		Panel Assembly—Bombers control	HA	1
	6-12609-6		Panel Assembly—Bombers control	SH	1
	6-12609-12		Panel Assembly—Bombers control	OI	1
	6-12609-13		Panel Assembly—Bombers control	XI	1
	6-12609-11		Panel Assembly—Bombers control	QM	1
	6-12609-14		Panel Assembly—Bombers control	EO	1
	6-12609-15		Panel Assembly—Bombers control	PQ	1
116-1	6-12607-7		Plate Assembly—Bombers control	HA	1
2	9-7342		Plate Assembly—Bombers control	XH	1
	9-7342-2		Plate Assembly—Bombers control	QM	1
	9-7342-4		Plate Assembly—Bombers control	EO	1
	9-7342-6		Plate Assembly—Bombers control	PQ	1
3	AN3022-2B		Switch—Single pole toggle	All	6
4	AN3022-8B		Switch—Single pole toggle	All	1
5	1-22746-1		Control Assembly	QB	1
6	42B3593-2		Lamp Assembly (amber)	All	3
7	42B3593-1		Lamp Assembly (red)	All	2
8	39A2512		Switch Assembly (Type C-2)	All	1
9	40A7419-1		Lamp Assembly	HA	2
10	AN3022-7B		Switch—Single pole toggle	JI	1
11	NO NUMBER		Rheostat (Spec 94-32229D) (Type O-1C) GFE	XM	1
12	CA275X		Condenser (P.R. Mallory and Co.)	OI	1
13	275		Lamp Assembly (Drake Mfg. Co.)	JI	1
14	3-24506		Guard—Toggle switch	JI	1
15	39A2511		Switch (Type C-1)	JI	1
16	8715		Switch Assembly (Cutler-Hammer)	JI	1
17	TLS26		Switch Assembly (P. R. Mallory and Co.)	JI	1
18	14-3740		Rail Assembly—Panel guard	AL	1
19	0956		Resistor (Ohmite Mfg. Co.)	JI	1
20	3-12023		Shield Assembly—Bomb release	WM	1
	3-12023-4		Shield Assembly—Bomb release	PQ	1
21	41-9981-1		Shield Assembly—Junction box	XM	1
22	1-19823		Guard Assembly	XM	1
23	24-1164		Extension—Lever (Cutler-Hammer)	XM	1
	1-29254		Spring—Latch	XM	1
	21-2366-32-11		Washer	XM	2
24	AN3022-7B		Switch—Single pole toggle	XM	1
	56-7180		Panel Assembly—Bomb load indicator	HA	1
	56-7180-504		Panel Assembly—Bomb load indicator	JI	1
25	56-7180-501		Plate Assembly	HA	1
	56-7180-505		Plate Assembly	JI	1
	39A3906-2		Lamp—Warning signal GFE	All	59
26	6-9216-7		Panel Assembly—Bomb interval switch	UD	1
	6-9216-5		Panel Assembly—Bomb interval switch	IK	1
	NO NUMBER		Control Assembly—Bomb release (Spec 93-24717) (Type B-3) GFE	UD	1
	NO NUMBER		Control Assembly—Bomb release (Spec 93-24630) (Type B2A) GFE	IK	1
27	6-10107		Panel Assembly—Bomb indicator	HA	1
	1110		Contact Assembly (Korry Mfg. Co.)	HA	42
	6-15547		Panel Assembly—Bomb indicator	JI	1
	1110		Contact Assembly (Korry Mfg. Co.)	JI	26
	84-1611		Installation—Bombers instrument panel	All	NP
	84-1611-706		Panel Assembly	HA	1
	84-1611-707		Panel Assembly	JI	1
28	6-13846		Panel Assembly	HA	1
	6-13846-11		Panel Assembly	JI	1
29	AN5760-2		Altimeter—Pressure GFE	All	1
30	NO NUMBER		Indicator—Air speed (Spec 94-27335) (Type F-2) (Spec 94-27952A Type C-14 optional) GFE	MA	1
	NO NUMBER		Indicator—Air speed (Spec 94-27916) (Type F-1) (Spec 94-27335 Type F-2 optional) GFE	RI	1
31	42B3593-1		Lamp Assembly (red)	HA	1
32	42B3593-2		Lamp Assembly (amber)	HA	1
	74-1611-707		Lamp GFE	HA	2
33	74-1611-1		Rod	All	1
34	AN316-4R		Nut—Aircraft	All	2
35	AN486-3		Clevis—Rod end adjusting	All	1
	41-6813		Cup—Bolt	All	1
	34A1766D2		Washer	All	8

FUSELAGE

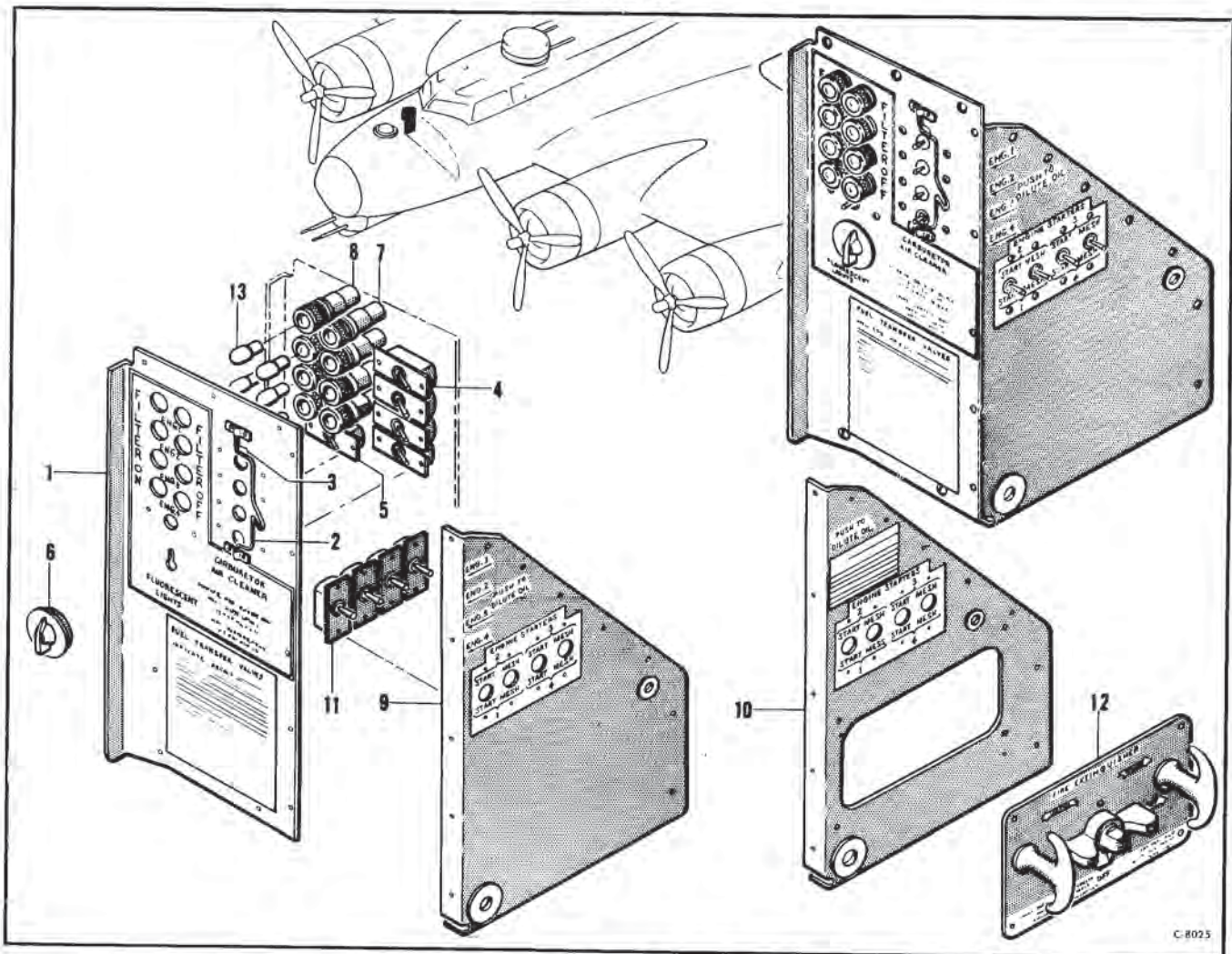


Figure 117—Auxiliary Control Board Panel

Auxiliary Control Board Panel

Figure & Index No.	Part Number	1 2 3 4 5 6 7	Nomenclature	Usage Code	Units Per Assy.
	59-1847-509		Installation—Auxiliary control board panel	All	NP
	59-1847-519		Plate Assembly—Side	OA	1
	59-1847-524		Plate Assembly—Side	XI	1
	59-1847-520		Plate Assembly—Side	XM	1
117-1	56-4252-511		Plate Assembly	OA	1
	56-4252-516		Plate Assembly	XI	1
	56-4252-514		Plate Assembly	XM	1
2	1-29236		Lever—Control switch	All	1
3	1-29238		Spring—Switch lever	All	1
	1-29325		Support—Switch lever	All	1
4	AN3022-8B		Switch—Single pole toggle	All	1
5	AN3022-2B		Switch—Single pole toggle	All	4
6	1-22746-1		Lamp Assembly—Fluorescent	All	1
7	42B3593-3		Lamp Assembly (green)	QB	1
8	42B3593-2		Lamp Assembly (amber)	All	4
	59-1847-513		Panel Assembly—Rear	All	4
	59-1847-523		Panel Assembly—Rear	OA	1
	59-1847-526		Panel Assembly—Rear	IJ	1
9	56-4251-505		Panel Assembly	PQ	1
10	56-4251-509		Panel Assembly	OA	1
11	AN3022-7B		Switch Assembly—Single pole toggle	KJ	1
12	2CD5016		Panel Assembly—Control GFE (American LaFrance-Foamite Corp.) (see fig. 135)	All	4
13	AN3121-313		Lamp GFE	KJ	1
				All	8

FUSELAGE

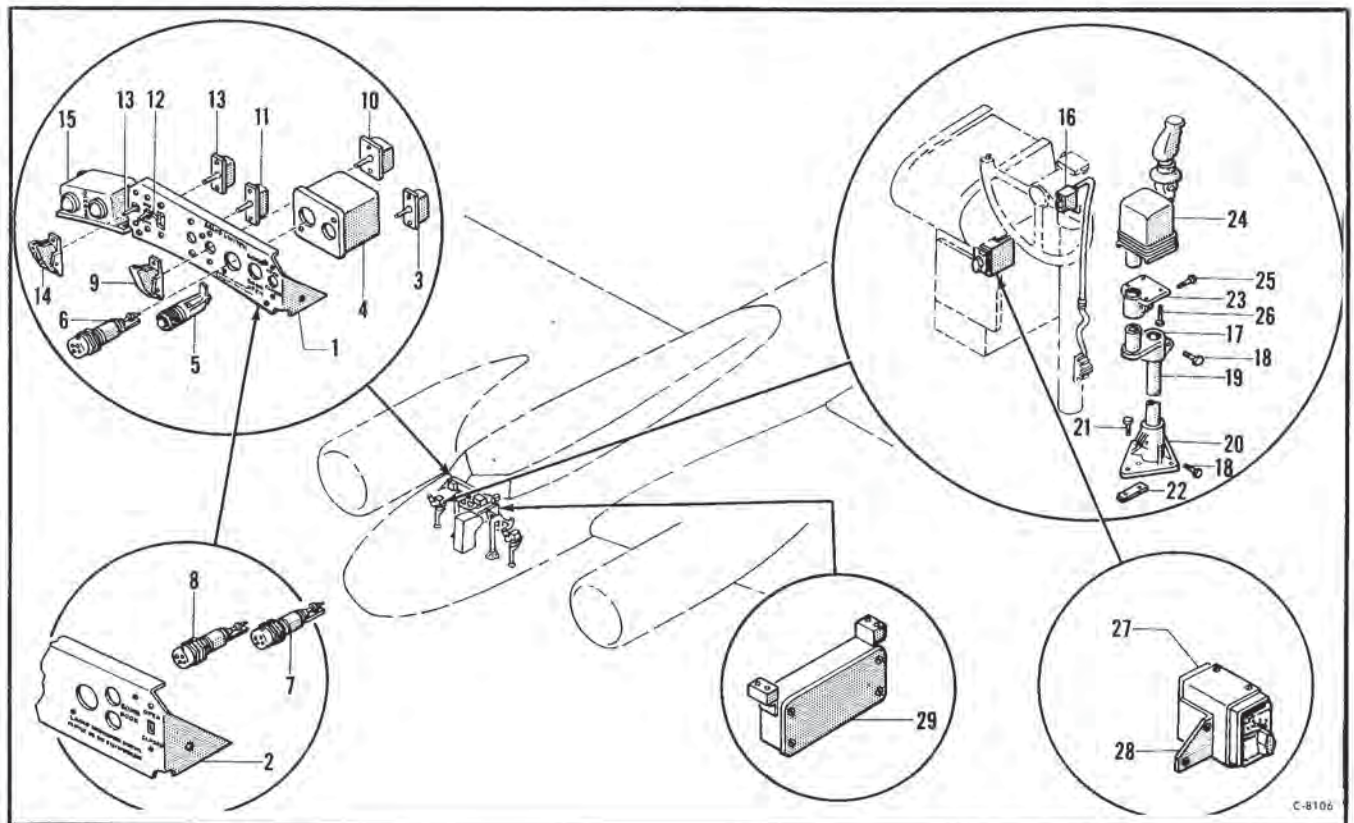


Figure 118—Switch Panel and Formation Stick Equipment

Switch Panel and Formation Stick Equipment

Figure & Index No.	Part Number	1 2 3 4 5 6 7	Nomenclature	Usage Code	Units Per Assy.
	14-4065		Switch Panel and Formation Stick Equipment		
	14-4065-1		Installation—Switch panel (see Fig. 111)	CQ	NP
	14-4065-3		Switch Assembly	BQ	1
118-1	6-19424		Switch Assembly	PQ	1
2	6-19424-1		Bracket—Switch	BQ	1
3	AN3022-7B		Bracket—Single pole toggle	PQ	1
4	41-9981		Shield Assembly	CQ	1
5	42B3593-1		Lamp Assembly (red)	BQ	1
6	109GGR		Light Assembly (Korry Mfg. Co.)	CQ	1
	AN3121-313		Lamp—T3 1-4 single-contact GFE	CQ	2
7	109SA		Lamp Assembly (Korry Mfg. Co.)	PQ	1
8	109SR		Lamp Assembly (Korry Mfg. Co.)	PQ	1
9	3-24506		Guard	CQ	1
10	39A2511		Switch	CQ	1
11	AN3022-1B		Switch—Single pole toggle	CQ	1
12	AN3160-20A		Circuit Breaker—Switch type	CQ	1
13	AN3022-2B		Switch—Single pole toggle	CQ	2
14	49-1356-2		Guard (Cutler-Hammer)	CQ	1
15	9-5058-7		Switch Assembly	CQ	1
	BC765		Switch GFE	CQ	1
	14-4099		Installation—Formation stick equipment (see Fig. 111)	PQ	NP
	9-10632		Installation—Automatic pilot release switch (LH)	PQ	NP
	9-10632-1		Installation—Automatic pilot release switch (RH)	PQ	NP
16	407969A		Switch Assembly (Minneapolis-Honeywell) GFE	PQ	1
	15-17162		Installation—Formation stick	PQ	NP
	15-17162-2		Pedestal Assembly	PQ	2
17	408250		Arm—Formation stick offset (Minneapolis-Honeywell)	PQ	1
18	AN4-10A		Bolt—Aircraft	PQ	2
19	408263		Tube—Formation stick pedestal (Minneapolis-Honeywell)	PQ	1
20	408188		Base—Formation stick pedestal (Minneapolis-Honeywell)	PQ	1
21	AN3-6A		Bolt—Aircraft (used on RH side only)	PQ	4
	AN3-7A		Bolt—Aircraft (used on LH side only)	PQ	4
22	15-17162-1		Filler	PQ	1
	15-17162-3		Stick Assembly—Formation	PQ	2
23	408101		Bracket—Formation stick base mounting (Minneapolis-Honeywell)	PQ	1
24	G1080A3		Stick—Formation (Minneapolis-Honeywell) GFE	PQ	1
25	AN4-10A		Bolt—Aircraft	PQ	1
26	AN4-5A		Bolt—Aircraft	PQ	4
	9-10644		Installation—Function selector	PQ	NP
	9-10644-1		Selector Assembly	CQ	1
	9-10644-2		Bracket Assembly—Selector	BR	1
27	G1235A1CA1		Selector—Function (Minneapolis-Honeywell) GFE	CQ	1
	G1235B1CA1		Selector—Function (Minneapolis-Honeywell) GFE	BR	1
28	6-22019		Bracket Assembly—Selector	PQ	1
	9-10619		Installation—Formation stick shield	PQ	NP
29	G1081B1		Box—Junction (Minneapolis-Honeywell) GFE	PQ	1

Section I I
Group Assembly Parts List

AN 01-20EG-4

FUSELAGE

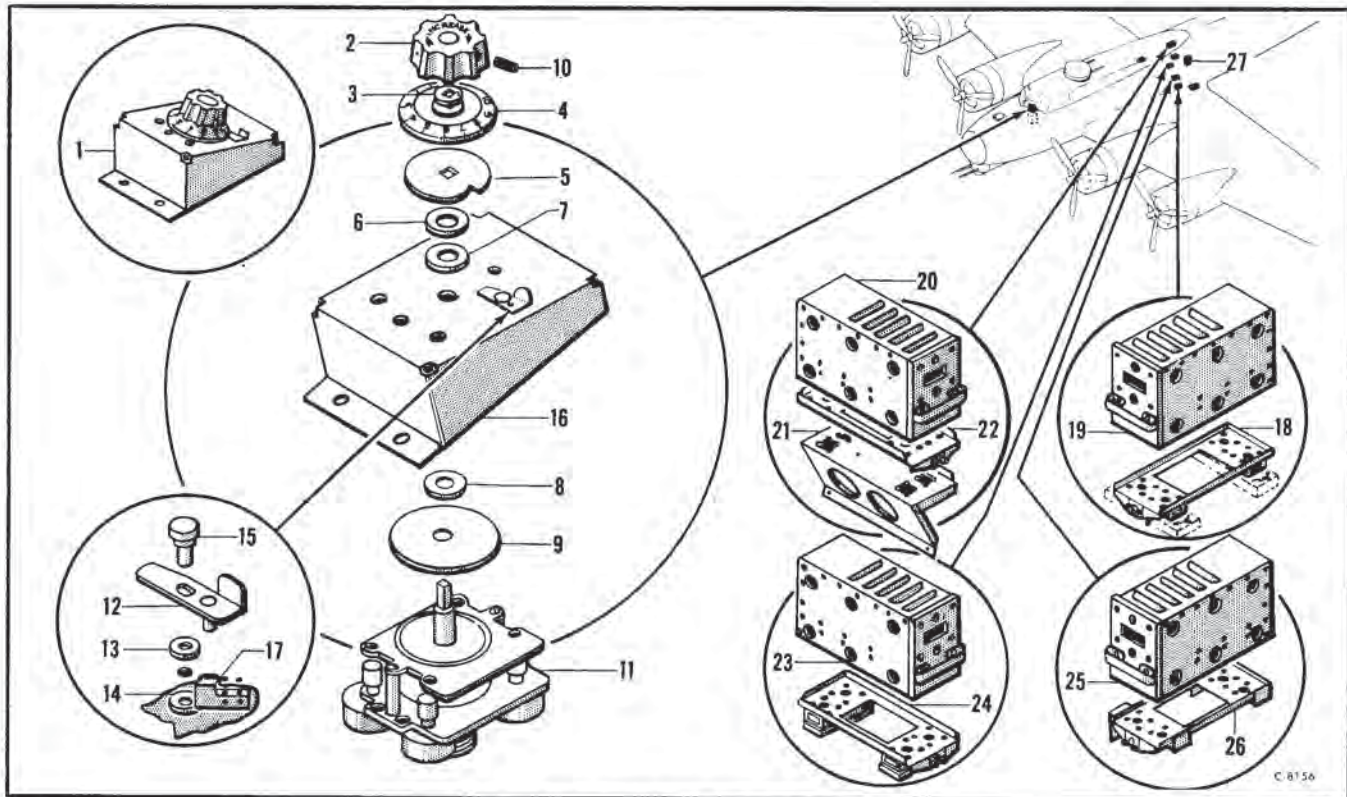


Figure 119—Turbo-electric Regulator

Turbo-electric Regulator

Figure & Index No.	Part Number	1	2	3	4	5	6	7	Nomenclature	Usage Code	Units Per Assy.
	15-11177								Installation—Turbo-electric regulator	All	NP
	15-11676								Installation—Turbo-electric selector	ZE	NP
119-1	6-15229								Selector Assembly—Turbo	YE	1
	6-15229-5								Selector Assembly—Turbo	ZQ	1
2	406862								Knob—Dial (Minneapolis-Honeywell) GFE	ZE	1
3	6-15229-3								Washer—Spring	ZE	1
4	407156								Dial (Minneapolis-Honeywell) GFE	ZE	1
5	407212								Stop—Dial (Minneapolis-Honeywell) GFE	ZE	1
6	407169								Disc—Friction (Minneapolis-Honeywell) GFE	ZE	1
7	407164								Washer—Friction (Minneapolis-Honeywell) GFE	ZE	1
8	407155								Washer (Minneapolis-Honeywell) GFE	ZE	1
9	407172								Cover (Minneapolis-Honeywell) GFE	ZE	1
10	80581								Screw—Set (Minneapolis-Honeywell) GFE	ZE	1
11	6-15229-2								Selector Assembly	ZE	1
	6-15229-1								Support Assembly	YE	1
	6-15229-6								Support Assembly	ZQ	1
12	407217A								Pin and Latch Assembly (Minneapolis-Honeywell) GFE	ZE	1
13	407214								Washer (Minneapolis-Honeywell) GFE	ZE	1
14	407216								Washer—Burr (Minneapolis-Honeywell) GFE	ZE	1
15	407215								Pivot (Minneapolis-Honeywell) GFE	ZE	1
16	6-14979								Support Assembly—Turbo-selector	LE	1
	6-14979-1								Support Assembly—Turbo-selector	WG	1
17	1-30453-1								Spring—Turbo-selector	YE	1
	3-33728								Spring—Turbo-selector	ZQ	1
	9-6473								Installation—Turbo-electric amplifier	TE	NP
18	9-6473-2								Base Assembly	TE	2
	G1060A1CA1								Base—Amplifier (Minneapolis-Honeywell) GFE	TE	1
19	G403A1CA1								Amplifier (Minneapolis-Honeywell) GFE	TE	1
	9-9199								Installation—Turbo-electric amplifier (LH)	EN	NP
	9-9199-1								Installation—Turbo-electric amplifier (RH)	EN	NP
20	G403A1CA1								Amplifier (Minneapolis-Honeywell) GFE	EN	1
	9-9199-2								Support Assembly (LH)	EN	1
	9-9199-3								Support Assembly (RH)	EN	1
21	9-9191								Bracket—Amplifier	EN	1
22	G1060A1CA1								Base—Amplifier (Minneapolis-Honeywell) GFE	EN	1
	9-7049								Installation—Turbo control amplifier (stowage)	TE	NP
23	6-19474								Installation—Turbo-electric amplifier (stowage)	EN	NP
	G403A								Amplifier (Minneapolis-Honeywell) GFE	TE	1
	G403A1CA1								Amplifier (Minneapolis-Honeywell) GFE	EN	1
24	6-15854								Base Assembly—Turbo amplifier	TE	1
	G1060A1CA1								Base—Amplifier (Minneapolis-Honeywell) GFE	EN	1
	9-6048								Installation—Turbo-electric amplifier (LH)	ZE	NP
	9-6048-1								Installation—Turbo-electric amplifier (RH)	ZE	NP
25	G403A1CA1								Amplifier (Minneapolis-Honeywell) GFE	ZE	1
26	G1060A1CA1								Base—Amplifier (Minneapolis-Honeywell) GFE	ZE	1
	6-14768								Installation—Turbo-electric junction box (main)	ZE	NP
27	G1066A1CA1								Box—Junction (Minneapolis-Honeywell) GFE	ZE	1

FUSELAGE

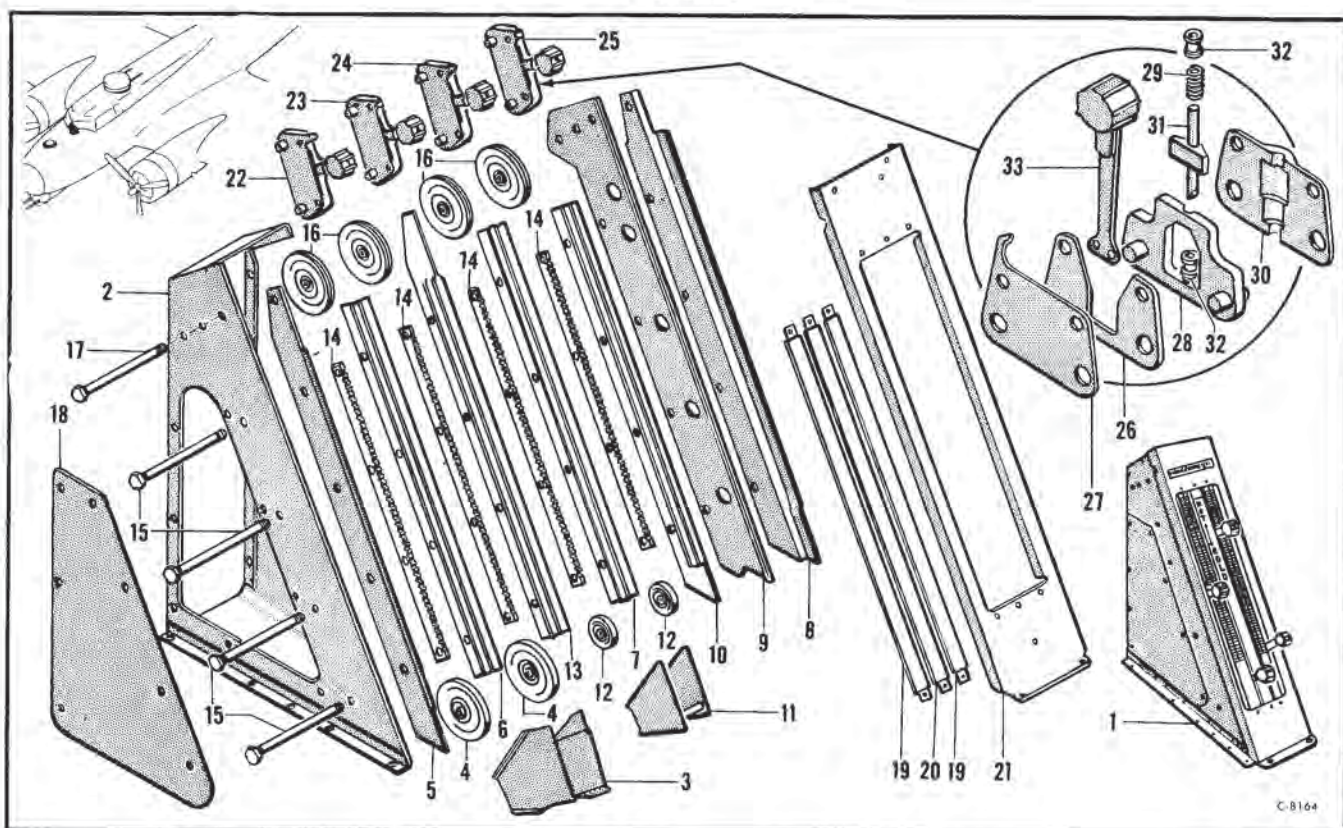
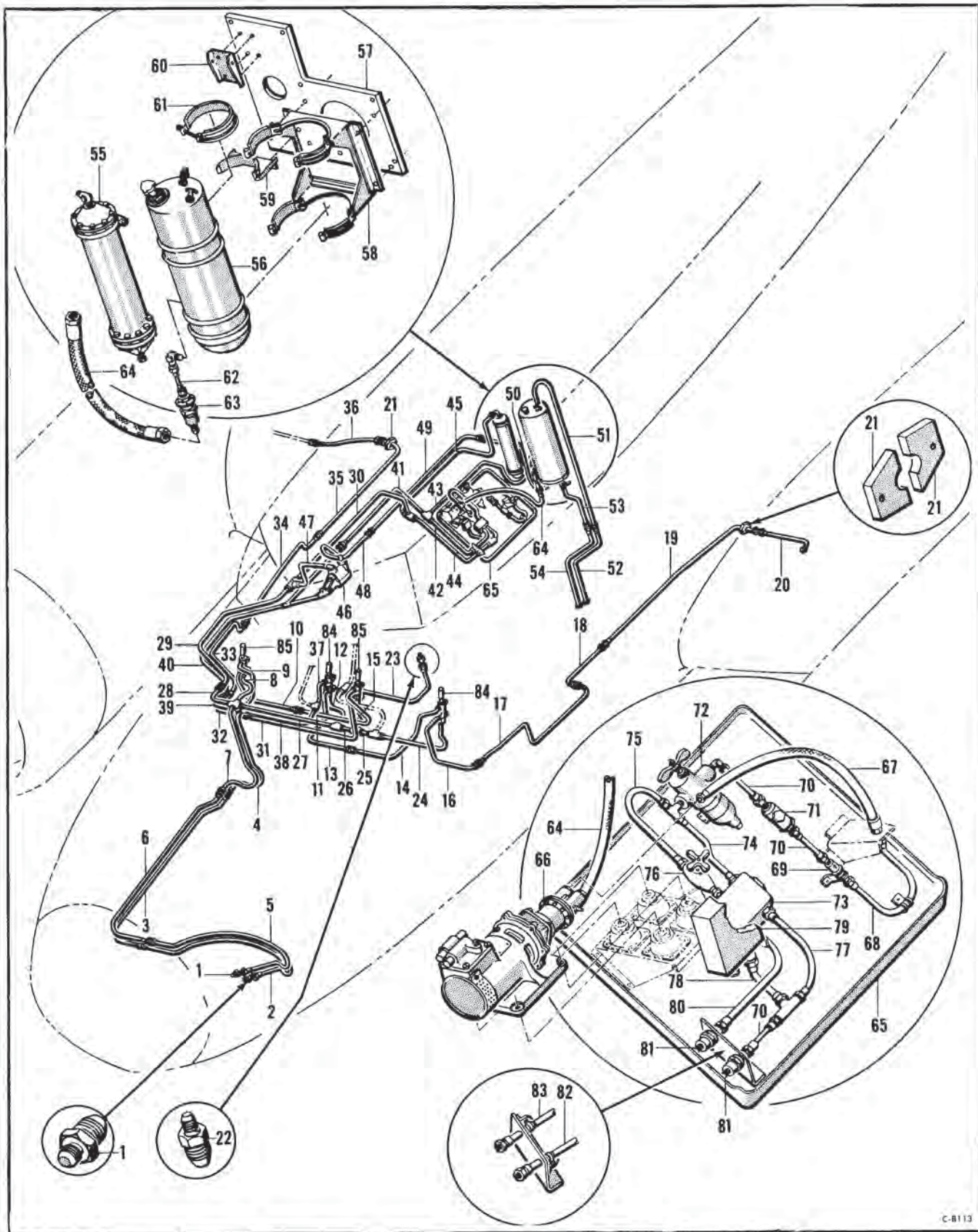


Figure 120—Intercooler Temperature Control Stand Assembly

Intercooler Temperature Control Stand Assembly

Figure & Index No.	Part Number	1	2	3	4	5	6	7	Nomenclature	Usage Code	Units Per Assy.
120-1	55-6070-400								Stand Assembly—Intercooler temperature control (see Fig. 197)	All	Ref
	55-6070-2								Frame Assembly—Intercooler temperature	All	1
2	55-6070-404								Angle Assembly—Intercooler frame	All	1
	15-6146								Installation—Carburetor air stand track	All	NP
	15-6148-1								Track Assembly—Carburetor air stand	All	1
	15-6146-17								Track Assembly—Carburetor air stand	All	1
	6-8006								Installation—Carburetor air bracket	All	NP
3	6-8006-1								Bracket Assembly—Carburetor air	All	1
4	AN210-2A								Pulley—Anti-friction bearing control	All	2
5	15-6146-4								Track	All	1
6	15-6146-15								Track	All	1
7	15-6146-15								Track	All	1
	15-6146-16								Channel Assembly	All	1
	15-6146-19								Channel Assembly	All	1
8	15-6146-2								Channel	All	1
9	15-6146-3								Angle	All	1
10	15-6146-18								Track	All	1
	6-7988								Installation—Carburetor air bracket	All	NP
11	6-7988-2								Plate Assembly	All	1
12	AN210-1A								Pulley—Anti-friction bearing control	All	2
13	15-6146-14								Track	All	1
14	3-11957								Rack—Carburetor air control	All	4
15	AN3-50A								Bolt—Aircraft	All	4
16	AN210-2A								Pulley—Anti-friction bearing control	All	4
17	21-9373-81-75								Bolt	All	1
18	55-6070-8								Cover—Frame	All	1
19	55-6070-4								Strip Assembly—Cover	All	2
20	55-6070-5								Strip Assembly—Cover	All	1
21	55-6070-401								Cover Assembly—Plate	All	1
22	3-11579								Control Assembly—Carburetor air	All	1
23	3-11579-1								Control Assembly—Carburetor air	All	1
24	3-11579-2								Control Assembly—Carburetor air	All	1
25	3-11579-3								Control Assembly—Carburetor air	All	1
26	41-9055								Plate—Control	All	1
27	41-9117-1								Plate—Control	All	1
	3-11579-5								Plunger Assembly—Carburetor air control	All	1
28	41-9111								Plate Assembly—Carburetor air control	All	1
	41-9113								Bearing Assembly—Carburetor air control	All	2
29	41-8453								Spring—Compression	All	1
30	41-9108								Casting—Carburetor air control	All	1
31	41-9114								Plunger—Carburetor air control	All	1
32	41-9115								Bushing—Carburetor air control	All	2
33	41-9048								Knob Assembly—Carburetor air (used on 3-11579)	All	1
	41-9048-1								Knob Assembly—Carburetor air (used on 3-11579-1)	All	1
	41-9048-2								Knob Assembly—Carburetor air (used on 3-11579-2)	All	1
	41-9048-3								Knob Assembly—Carburetor air (used on 3-11579-3)	All	1

FUSELAGE



C-8113

Figure 121—Fuselage Hydraulic System

AN 01-20EG-4

FUSELAGE

Fuselage Hydraulic System

Figure & Index No.	Part Number	1 2 3 4 5 6 7	Nomenclature	Usage Code	Units Per Assy.
			Fuselage Hydraulic System		
	15-9272		Installation—Hydraulic system	All	NP
	15-11421		Installation—Bendix turret tubing	RA	NP
121-1	1-29092		Fitting—Adapter	RA	2
2	15-11421-5		Tube Assembly	RA	1
3	15-11421-3		Tube Assembly	RA	1
4	15-11421-2		Tube Assembly	RA	1
5	15-11421-6		Tube Assembly	RA	1
6	15-11421-4		Tube Assembly	RA	1
7	15-11421-1		Tube Assembly	RA	1
8	15-9272-96		Tube Assembly	All	1
9	15-7988-24		Tube Assembly	All	1
10	65-5821-582		Tube Assembly	All	1
11	15-7988-21		Tube Assembly	All	1
12	65-5821-578		Tube Assembly	All	1
13	65-5821-594		Tube Assembly	All	1
14	15-7988-14		Tube Assembly	All	1
15	65-5821-44		Tube Assembly	All	1
16	15-7988-9		Tube Assembly	All	1
17	15-7988-8		Tube Assembly	All	1
18	15-7988-7		Tube Assembly	All	1
19	65-5821-527		Tube Assembly	All	1
20	15-7988-5		Tube Assembly	All	1
21	41-9290-3		Fairlead—Tube support	All	4
22	2-1942-18		Fitting—Restriction (Parker)	All	1
23	15-7988-59		Tube Assembly	QB	1
	15-9272-97		Tube Assembly	XM	1
24	15-7988-12		Tube Assembly	All	1
25	65-5821-555		Tube Assembly	All	1
26	65-5821-32		Tube Assembly	All	1
27	65-5821-577		Tube Assembly	All	1
28	15-7988-26		Tube Assembly	All	1
29	15-7988-31		Tube Assembly	All	1
30	15-9272-74		Tube Assembly	All	1
31	15-7988-19		Tube Assembly	All	1
32	15-7988-28		Tube Assembly	All	1
33	15-7988-29		Tube Assembly	All	1
34	15-7988-36		Tube Assembly	QB	1
	15-9272-100		Tube Assembly	XM	1
35	65-5821-535		Tube Assembly	QB	1
	15-9272-101		Tube Assembly	XM	1
36	15-7988-46		Tube Assembly	QB	1
	15-9272-102		Tube Assembly	XM	1
37	65-5821-556		Tube Assembly	All	1
38	15-7988-23		Tube Assembly	All	1
39	15-7988-27		Tube Assembly	All	1
40	15-7988-30		Tube Assembly	All	1
41	15-9272-72		Tube Assembly	All	1
42	15-9272-89		Tube Assembly	All	1
43	15-9272-93		Tube Assembly	All	1
44	15-9272-88		Tube Assembly	All	1
45	15-9272-85		Tube Assembly	All	1
	6-10486		Installation—Hydraulic hand pump	All	NP
	6-10486-1		Pump Assembly	RC	1
	6-10486-3		Pump Assembly	TP	1
46	D10231		Pump—Hydraulic hand (Adel) (see fig. 124)	RC	1
	66-25507		Pump—Hydraulic hand (Harvill)	TP	1
47	15-7988-33		Tube Assembly	All	1
48	15-7988-34		Tube Assembly	All	1
49	15-9272-41		Tube Assembly	All	1
50	15-9272-92		Tube Assembly	All	1
51	15-9272-31		Tube Assembly	All	1
52	15-7988-58		Tube Assembly	All	1
53	15-9272-33		Tube Assembly	All	1
54	15-7988-45		Tube Assembly	All	1
	15-13053		Installation—Hydraulic system tank and accumulator	All	NP
	15-13053-1		Equipment Assembly	All	1
	15-13053-3		Tank Assembly	All	1
55	6-13191-2		Accumulator Assembly (see fig. 123)	All	1
	15-13053-2		Tank Assembly	All	1
56	6-10440-12		Tank Assembly—Hydraulic reservoir (see fig. 123)	All	1
	765-2		Cock—Drain	All	1
57	6-14478		Support Assembly—Hydraulic tank and accumulator	All	1
58	9-3720		Bracket Assembly—Hydraulic tank	All	1
	1-21077		Strap Assembly—Hydraulic tank support	EA	4
	3-18559-3		Strap—Hydraulic tank support	QH	4
	1-17910-0		Filler—Strap end	EA	4

Section II
Group Assembly Parts List

AN 01-20EG-4

FUSELAGE
Fuselage Hydraulic System

Figure & Index No	Part Number	1 2 3 4 5 6 7	Nomenclature	Usage Code	Units Per Assy.
	1-27935-2		Spacer—Support strap	QH	4
121-59	6-10481		Bracket Assembly—Accumulator	All	1
60	3-19510		Bracket—Accumulator support	All	1
61	3-14934		Strap Assembly—Accumulator	All	1
	1-17910-1-0		Spacer	Y	2
	1-27935		Spacer	WG	2
62	15-13053-4		Tube Assembly	All	1
63	106-8		Coupling—Self sealing (Aeroquip)	All	1
64	39B3480-816		Hose Assembly	All	1
	15-7989		Installation—Hydraulic panel	All	NP
	15-7989-28		Panel Assembly	All	1
65	15-8752-4		Pan Assembly—Hydraulic panel	All	1
	14-2878		Pan Assembly—Hydraulic panel	All	1
66	IE678		Pump—Hydraulic (Pesco) (see fig. 126)	All	1
67	43D2475-8D160		Hose Assembly	All	1
	39B1024-8		Nut—Hose check	All	2
68	15-7989-26		Tube	All	1
69	401561		Valve—Check (Bendix)	All	1
70	15-7989-5		Tube	All	3
71	5291-1T8D		Connection—Suction test (Parker) (see fig. 125)	All	1
72	27250		Purolator Assembly (Purolator) (see fig. 55)	All	1
73	7-500-8-1		Valve—Relief (Kenyon) (see fig. 125)	All	1
74	15-7989-21		Tube	All	1
75	15-7989-22		Tube	All	1
76	251-2GT8D		Valve—Shut-off (Parker) (see fig. 125)	All	1
77	15-7989-25		Tube	All	1
	8-8-6JTD		Tee (Parker)	All	1
78	15-7989-23		Tube	All	1
79	151		Switch Assembly—Pres regulating (Starbird)	All	1
80	15-7989-24		Tube	PD	1
81	106-8		Coupling—Self sealing (Aeroquip)	PD	2
82	15-7989-29		Tube	HF	1
83	15-7989-30		Tube	HF	1
84	3-9584-4		Valve Assembly—Wheel brake (see fig. 93)	All	Ref
85	3-9584-5		Valve Assembly—Wheel brake (see fig. 93)	All	Ref

FUSELAGE

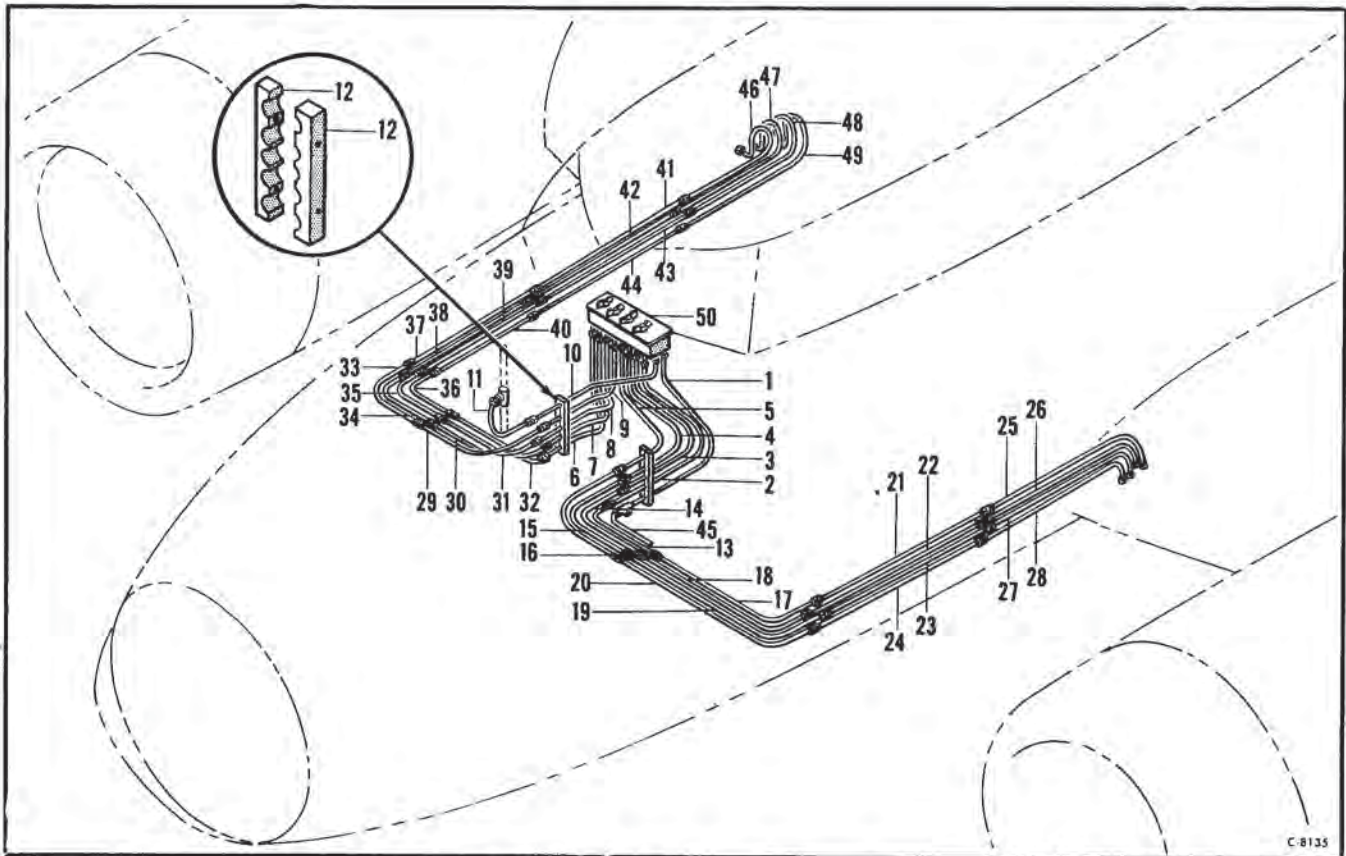


Figure 122—Cowl Flap System

AN 01-20EG-4

FUSELAGE

Cowl Flap System

Figure & Index No.	Part Number	1 2 3 4 5 6 7	Nomenclature	Usage Code	Units Per Assy.
	15-9272		Cowl Flap System		
	55-7689		Installation—Hydraulic system	All	NP
	55-7689		Installation—Cowl flaps tubing	All	NP
122-1	55-7689-400		Tube Assembly	All	1
2	55-7689-426		Tube Assembly	All	1
3	55-7689-425		Tube Assembly	All	1
4	55-7689-424		Tube Assembly	All	1
5	55-7689-423		Tube Assembly	All	1
6	55-7689-422		Tube Assembly	All	1
7	55-7689-421		Tube Assembly	All	1
8	55-7689-420		Tube Assembly	All	1
9	55-7689-419		Tube Assembly	All	1
10	55-7689-401		Tube Assembly	All	1
11	55-7689-428		Tube Assembly	All	1
12	1-19005-7		Fairlead Assembly—5 holes	All	2
13	55-7689-402		Tube Assembly	All	1
14	55-7689-404		Tube Assembly	All	1
15	55-7689-405		Tube Assembly	All	1
16	55-7689-403		Tube Assembly	All	1
17	55-7689-414		Tube Assembly	QB	1
	55-7689-459		Tube Assembly	XM	1
18	55-7689-413		Tube Assembly	QB	1
	55-7689-458		Tube Assembly	XM	1
19	55-7689-412		Tube Assembly	QB	1
	55-7689-456		Tube Assembly	XM	1
20	55-7689-411		Tube Assembly	QB	1
	55-7689-457		Tube Assembly	XM	1
21	15-7689-73		Tube Assembly	All	1
22	15-7689-28		Tube Assembly	All	1
23	15-7689-110		Tube Assembly	All	1
24	15-7689-139		Tube Assembly	All	1
25	15-7689-74		Tube Assembly	All	1
26	15-7689-29		Tube Assembly	All	1
27	15-7689-111		Tube Assembly	All	1
28	15-7689-140		Tube Assembly	All	1
29	55-7689-409		Tube Assembly	N	1
	55-7689-466		Tube Assembly	WF	1
30	55-7689-408		Tube Assembly	N	1
	55-7689-467		Tube Assembly	WF	1
31	55-7689-406		Tube Assembly	N	1
	55-7689-468		Tube Assembly	WF	1
32	55-7689-407		Tube Assembly	N	1
	55-7689-469		Tube Assembly	WF	1
33	55-7689-415		Tube Assembly	All	1
	55-7689-466		Tube Assembly	All	1
34	55-7689-416		Tube Assembly	All	1
	55-7689-467		Tube Assembly	All	1
35	55-7689-417		Tube Assembly	All	1
	55-7689-468		Tube Assembly	All	1
36	55-7689-418		Tube Assembly	All	1
	55-7689-469		Tube Assembly	All	1
37	15-7689-126		Tube Assembly	All	1
38	15-7689-94		Tube Assembly	All	1
39	15-7689-4		Tube Assembly	All	1
40	15-7689-52		Tube Assembly	All	1
41	15-7689-127		Tube Assembly	All	1
42	15-7689-95		Tube Assembly	All	1
43	15-7689-5		Tube Assembly	All	1
44	15-7689-53		Tube Assembly	All	1
45	55-7689-427		Tube Assembly	All	1
46	15-7689-128		Tube Assembly	All	1
47	15-7689-96		Tube Assembly	All	1
48	15-7689-6		Tube Assembly	All	1
49	15-7689-54		Tube Assembly	All	1
50	G10340		Valve—Cowl flap (Adel) (see fig. 112)	All	Ref

Section I I
Group Assembly Parts List

AN 01-20EG-4

FUSELAGE

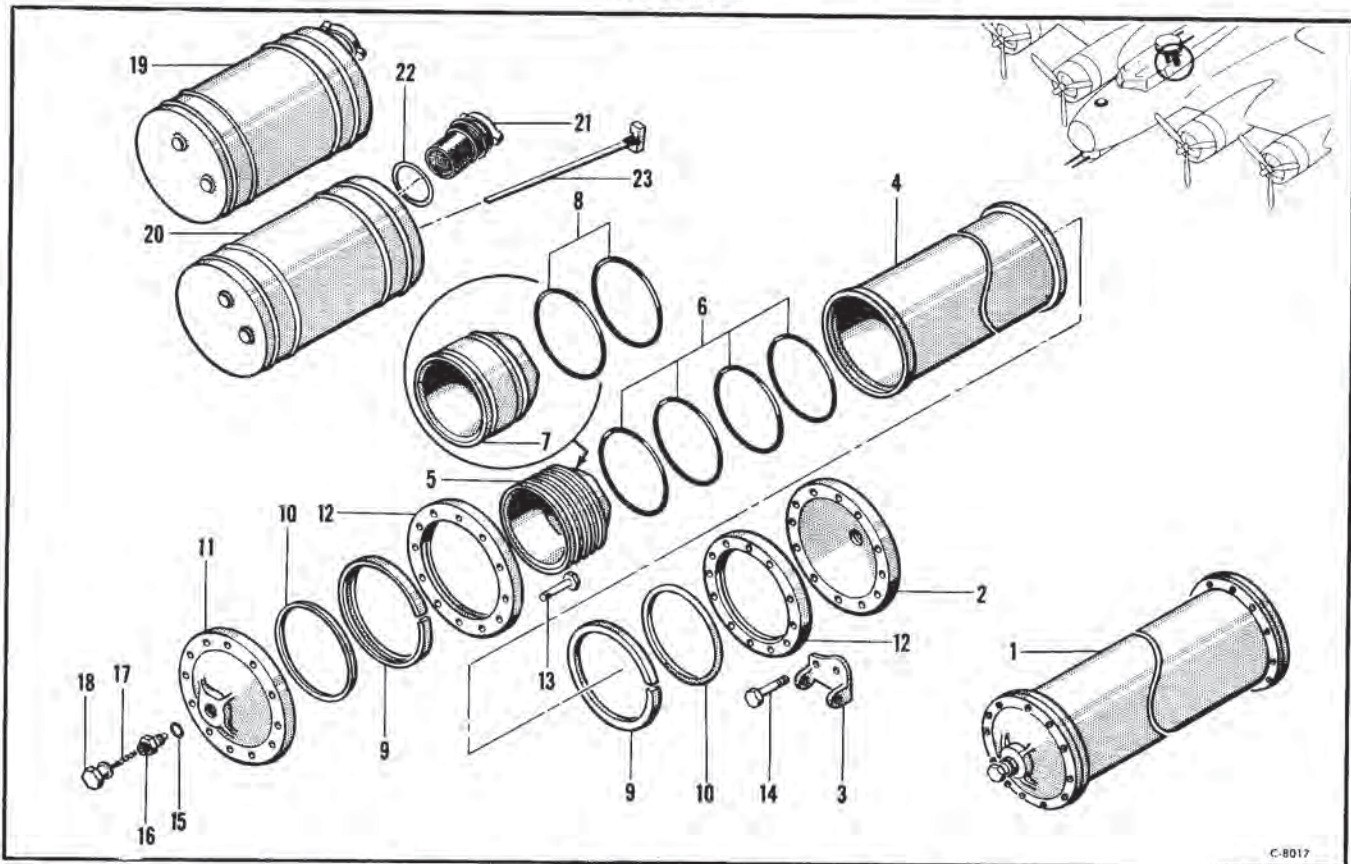


Figure 123—Accumulator and Reservoir Tank

Accumulator and Reservoir Tank

Figure & Index No.	Part Number	1 2 3 4 5 6 7	Nomenclature	Usage Code	Units Per Assy.
123-1	6-13191-2		Accumulator and Reservoir Tank		
2	3-14536-2		Accumulator Assembly—Hyd system (see fig. 121)	All	Ref
3	1-21444		Head—Hydraulic accumulator	All	1
4	6-10212-4		Lug—Accumulator mount	All	1
5	3-14537		Cylinder—Hydraulic accumulator	All	1
6	3-14853		Piston—Hydraulic accumulator	T	1
7	3-14537-2		Ring—Hydraulic packing	T	4
8	AN6227-49		Piston—Hydraulic accumulator	NG	1
9	1-20878		Packing—"O" ring hydraulic	NG	2
10	1-20880	2-048	Ring—Split	All	2
11	3-14536-3		Gasket—Hydraulic accumulator. <i>PARKER</i>	All	2
12	3-14535		Head—Hydraulic accumulator	All	1
13	AN5-14A		Clamp—Ring	All	2
14	AN5-16A		Bolt—Aircraft	All	22
15	AN901-5C		Bolt—Aircraft	All	2
16	AN812-1		Gasket—Metal tube connection seal	All	1
17	AN809-1		Body—High pressure air valve	All	1
18	AN813-1		Core—High pressure air valve	All	1
19	6-10440-12		Cap—High pressure air valve	All	1
20	6-10440-7		Tank Assembly—Hydraulic reservoir (see fig. 121)	All	Ref
21	1-21345-1		Shell Assembly	All	1
	1-12965		Filler Assembly—Hydraulic tank	All	1
22	AN900-41		Nut—Tank filler unit	All	1
23	1-27385		Gasket—Copper annular	All	1
			Stick—Hydraulic oil measuring	All	1

FUSELAGE

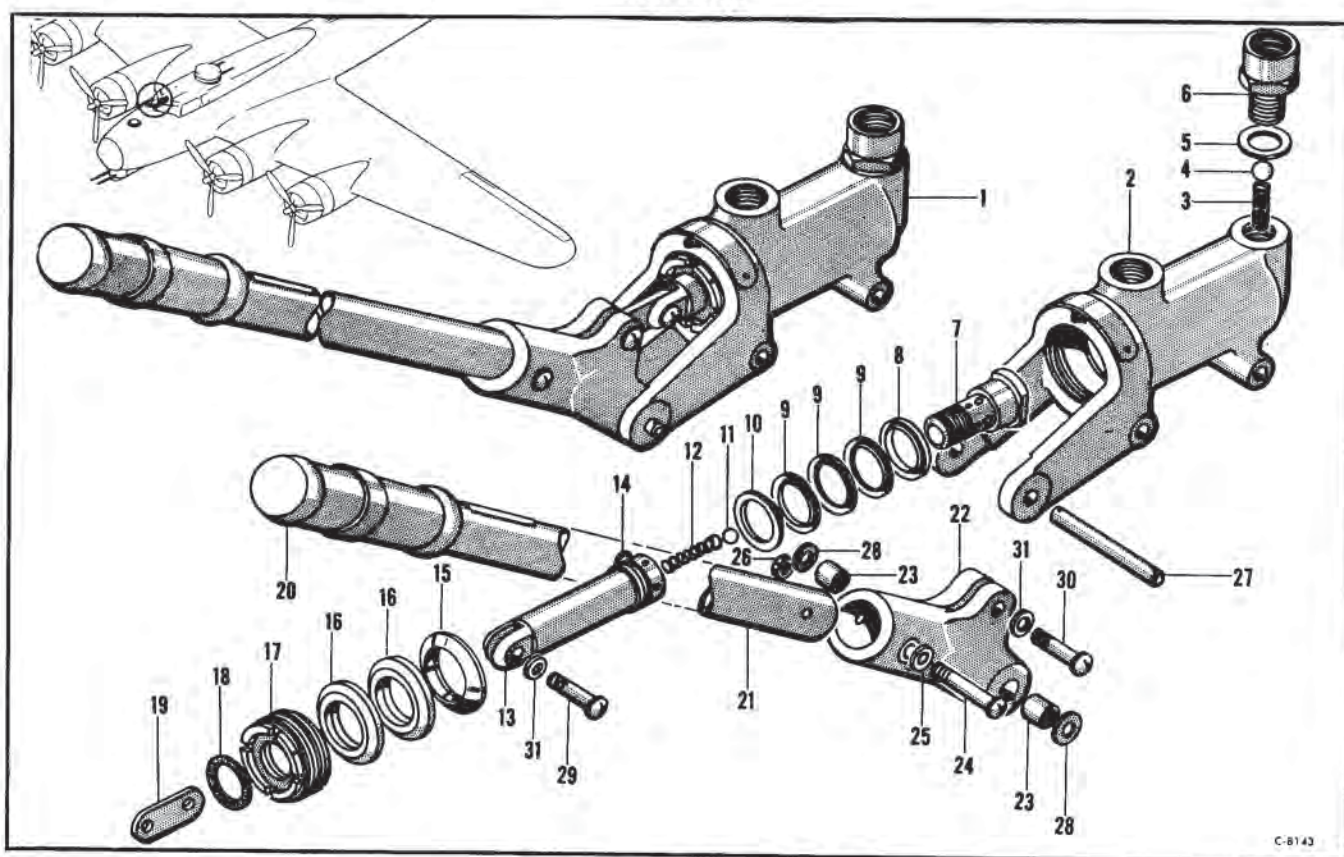


Figure 124—Hydraulic Hand Pump

Hydraulic Hand Pump

Figure & Index No.	Part Number	1 2 3 4 5 6 7	Nomenclature	Usage Code	Units Per Assy.
124-1	D10231		Pump—Hydraulic hand (Adel) (see Fig. 121)	RC	Ref
2	B10031		Body	RC	1
3	A8113		Spring	RC	1
4	NO NUMBER		Ball—7-16 in. diameter	RC	1
5	A303-8A		Washer	RC	1
6	A10028		Seat	RC	1
7	A8114		Piston Assembly	RC	1
8	A8098		Head—Piston	RC	1
9	A8096		Ring—Retaining	RC	1
10	40B629-6-024		Ring—"V"	RC	3
11	A8097		Ring—Retaining	RC	1
12	NO NUMBER		Ball—5-16 in. diameter	RC	1
13	A8103		Spring—Piston check valve	RC	1
14	B8092		Piston	RC	1
15	A8102		Ring—Piston head lock	RC	1
16	A8110		Ring—Retaining	RC	1
17	40B629-9-026		Ring—"V"	RC	2
18	A8093		Nut—Packing	RC	1
19	A8115		Washer—Felt	RC	1
20	A8116		Link	RC	1
21	B10029		Handle Assembly	RC	1
22	A8048		Grip—Handle	RC	1
23	B10030		Handle	RC	1
24	B10017		Socket—Handle	RC	1
25	NO NUMBER		Bearing	RC	2
26	AN23-32		Bolt—Clevvis	RC	1
27	AN960-10L		Washer—Plain	RC	2
28	AN320-3		Nut—Aircraft shear	RC	1
29	A10039		Shaft	RC	1
30	AN960-516		Washer—Plain	RC	2
31	AN394-21		Pin—Flat head	RC	1
	AN394-31		Pin—Flat head	RC	1
	AN960-416		Washer—Plain	RC	2

Section I I
Group Assembly Parts List

AN 01-20EG-4

FUSELAGE

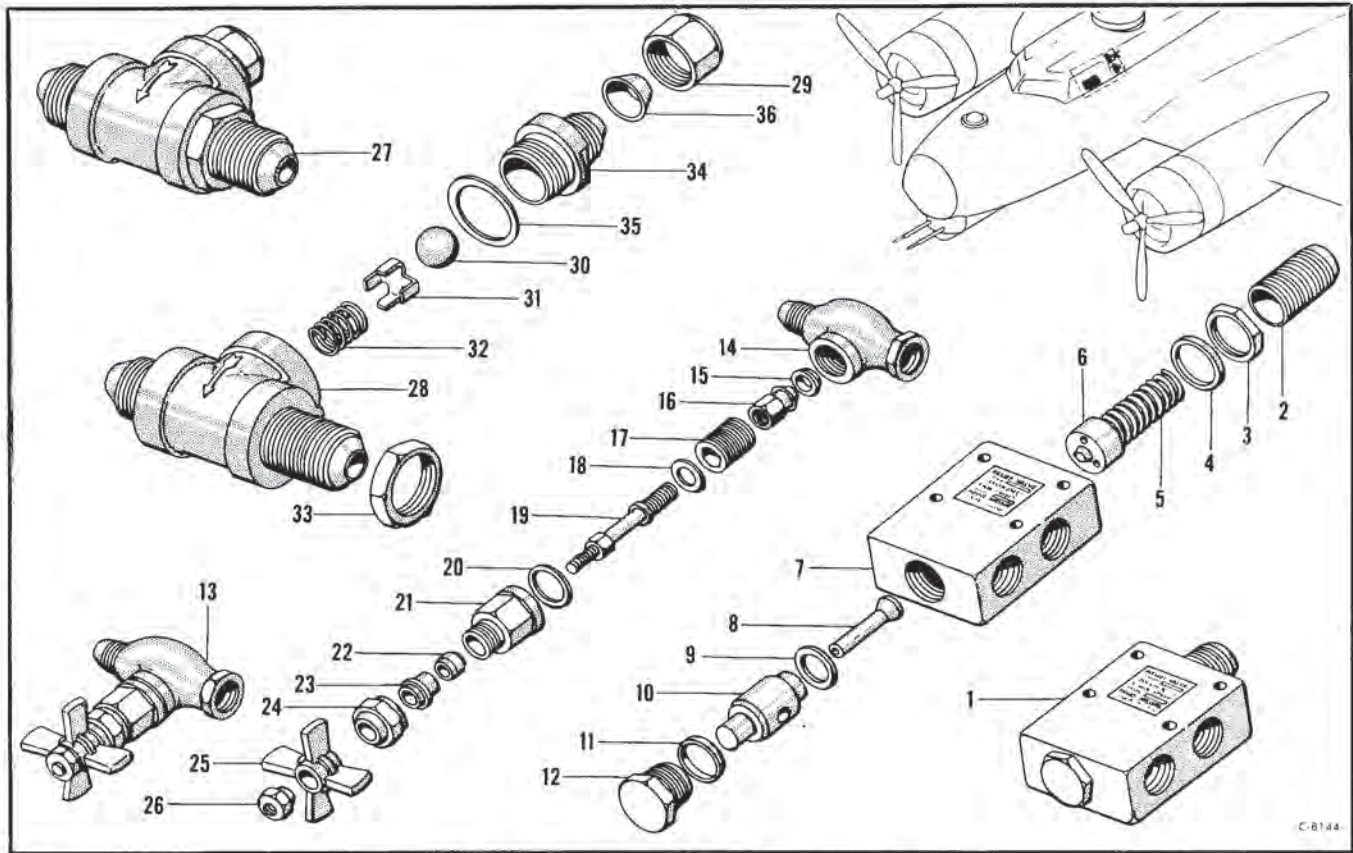


Figure 125—Hydraulic Valve Assemblies

Hydraulic Valve Assemblies

Figure & Index No.	Part Number	1	2	3	4	5	6	7	Nomenclature	Usage Code	Units Per Assy.
125-1	7-500-8-1								Hydraulic Valve Assemblies		
2	7-308								Valve Assembly—Pressure relief (Kenyon) (see fig. 121)	All	Ref
3	7-310								Screw—Adjusting	All	1
4	7-315								Nut—Locking	All	1
5	7-306-3								Gasket	All	1
6	7-307								Spring	All	1
7	7-501								Guide—Spring	All	1
8	7-302								Body	All	1
9	7-304-1								Valve	All	1
10	7-303								Gasket	All	1
11	7-311								Seat	All	1
12	7-305								Ring—Sealing	All	1
13	251-2GT8D								Cap	All	1
14	10-1641-55D5								Valve Assembly—Hydraulic (Parker) (see fig. 121)	All	Ref
15	6-1537-10SS3								Body	All	1
16	7-2937-17SS2								Seat—Inserted	All	1
17	6-1537-12D1								Slide	All	1
18	10-1336-26SS10								Bushing—Slide	All	1
19	6-1537-13SS10								Washer—Stem	All	1
20	8-1142-13-42D12								Stem	All	1
21	6-1537-9D1								Gasket	All	1
22	8-1137-7-11P9								Bonnet	All	1
23	6-1537-14D1								Packing	All	1
24	6-1537-15D1								Follower—Packing	All	1
25	4-2243-1D31								Cap—Packing	All	1
26	1-2438-1-1D1								Handle	All	1
27	6-1537-11S2								Nut—Jam	All	1
28	5291-1T8D								Washer—Jam	All	1
29	8-1340-25D3								Valve Assembly—Suction test (Parker) (see fig. 121)	All	Ref
30	9-1642-7-82								Body	All	1
31	5-1142-2								Cap	All	1
32	4-3041-98SS11								Ball	All	1
33	9-1642-8SS8								Guide—Ball	All	1
34	2-639-6-23D1								Spring	All	1
35	1-534-43D1								Nut—Locking	All	1
36	1-2639-3-8CUI								Cap	All	1
	8-1142-13-25CUI								Gasket	All	1
									Gasket	All	1

FUSELAGE

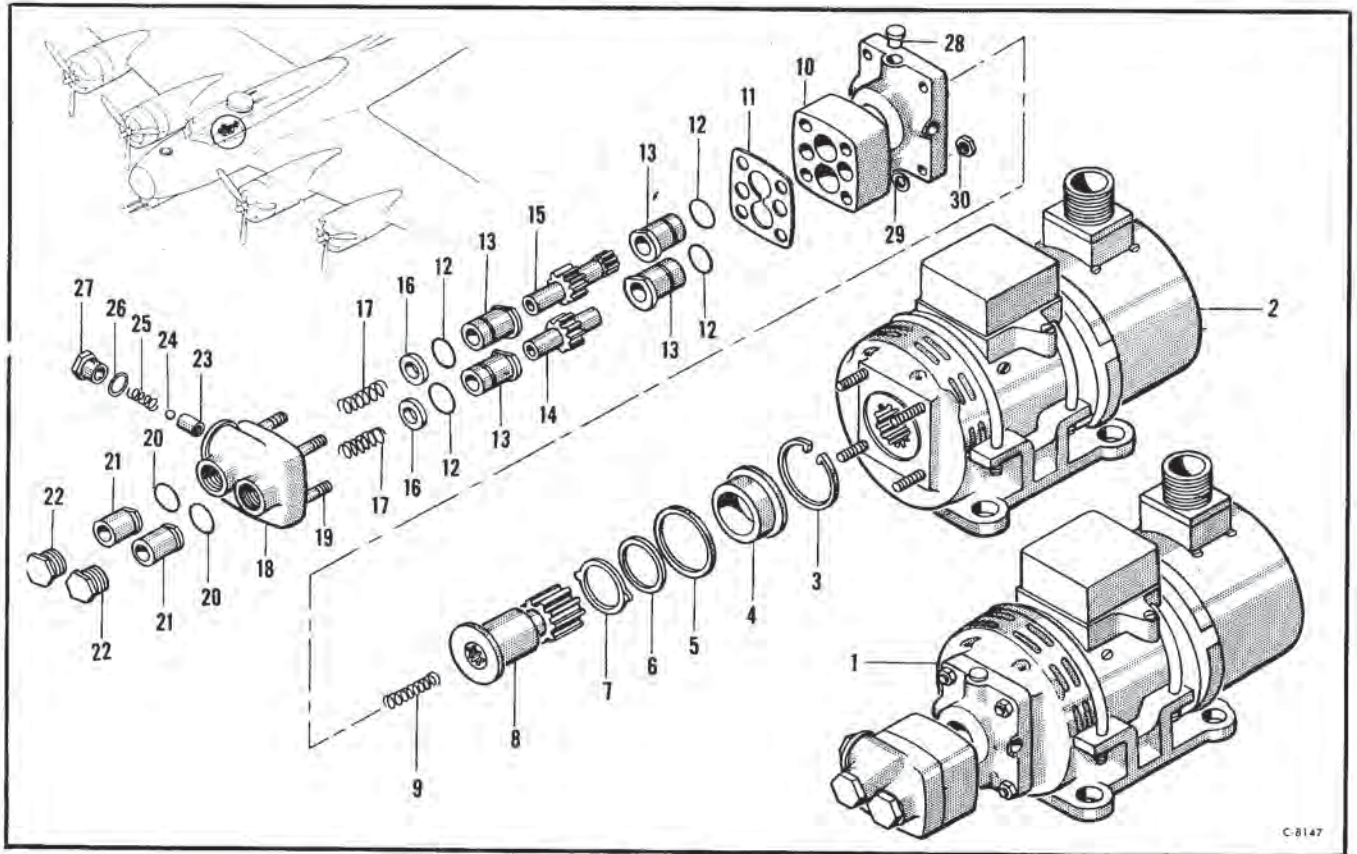


Figure 126—Motor Driven Gear Pump

Motor Driven Gear Pump

Figure & Index No.	Part Number	1 2 3 4 5 6 7	Nomenclature	Usage Code	Units Per Assy.
126-1	1E678		Pump—Motor driven gear (Pesco) (see Fig. 121)	All	Ref.
2	678-1		Motor—Electric	All	1
3	1P877		Pump Assembly—Gear	All	1
4	677-8		Ring—Snap	All	1
5	677-3		Retainer	All	1
6	AN6227-18		Packing—"O" ring hydraulic	All	1
7	AN6227-14		Packing—"O" ring hydraulic	All	1
8	677-4		Disc—Seal	All	1
	677-5		Coupling Assembly	All	1
	677-6		Coupling	All	1
	677-7		Shaft—Drive	All	1
9	320-37		Spring	All	1
10	677-1		Body	All	1
11	677-9		Gasket	All	1
12	519-27		Ring—Bearing seal	All	4
13	655-4		Bearing	All	4
14	519-15		Gear—Driven	All	1
15	519-14A		Gear—Driven	All	1
16	655-6		Spacer	All	2
17	320-18		Spring	All	2
	655-5		Disc—Seal	All	1
18	677-2		Cover	All	1
19	203-12L		Stud	All	4
20	320-24		Gasket	All	2
21	320-22		Adapter	All	2
22	320-23		Nut	All	2
23	252-5		Seat	All	1
24	R400B21		Ball	All	1
25	252-7C		Spring	All	1
26	396-5		Gasket	All	1
27	349-20		Retainer	All	1
28	R400-71		Plug Assembly—Vent.	All	1
	R400-72		Plug—Vent.	All	1
	R400-41		Ring—Snap	All	1
	R400-42		Flange	All	1
	R400-43		Screen	All	1
29	181-22		Washer	All	4
30	203-15		Nut	All	4

Section I I
Group Assembly Parts List

AN 01-20EG-4

FUSELAGE

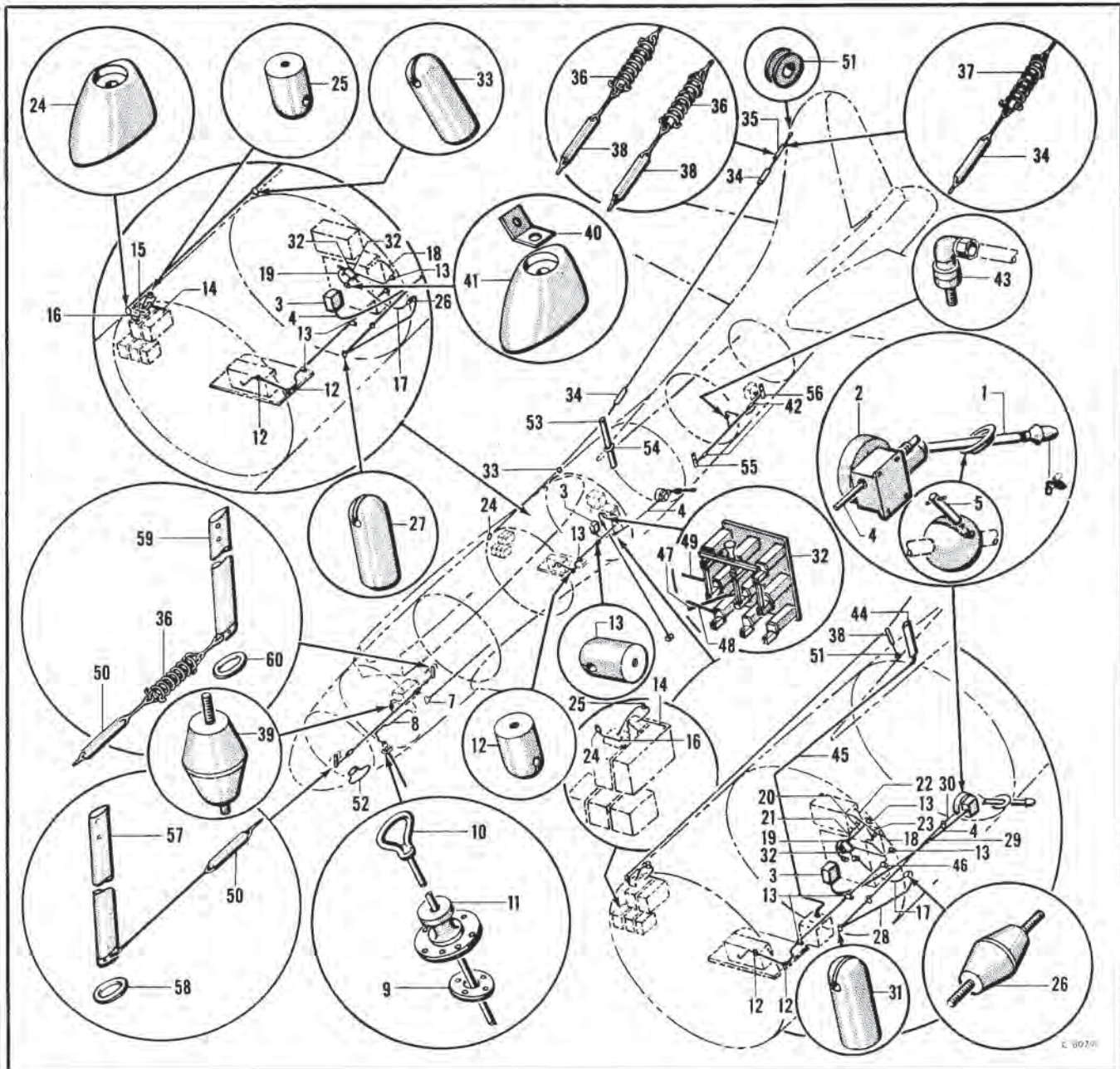


Figure 127—Radio Antenna

Radio Antenna

Figure & Index No.	Part Number	1	2	3	4	5	6	7	Nomenclature	Usage Code	Units Per Assy.
									Radio Antenna		
	55-7789								Installation—Radio equipment	All	NP
	15-8529								Installation—Trailing antenna	All	NP
127-1	15-8529-1								Fairlead Assembly—Antenna	OA	1
	15-8529-11								Fairlead Assembly—Antenna	LK	1
	3-15106								Fairlead Assembly—Station 6D	OA	1
	3-15105								Clamp Assembly—Antenna fairlead	OA	1
	MC163								Connector—GFE	All	1
2	RL42A								Reel Assembly—GFE	All	1
3	MC461								Control Assembly—Antenna GFE	All	1
4	MC215-127								Shaft Assembly—Tuning GFE	All	1
	MC215-105								Shaft Assembly—Tuning GFE	LC	1
5	3-21433								Screw Assembly	MP	1
6	6-9987-8								Weight Assembly—Antenna GFE	LC	1
	6-9987-2								Spring—GFE	All	1
	6-9987-3								Seat—Spring GFE	All	1

AN 01-20EG-4

FUSELAGE

Radio Antenna

Figure & Index No.	Part Number	1 2 3 4 5 6 7	Nomenclature	Usage Code	Units Per Assy.
	6-9987-4		Screw—End GFE	AI	1
	55-7774		Installation—Radio antenna	AI	NP
	6-10789		Installation—Spare whip antenna	I	NP
127-7	L20678-502		Whip and Handle Assembly (Aircraft Accessories)	I	1
	9-6606		Installation—Whip antenna tube	JB	NP
8	9-6606-2		Lead-in Assembly	JB	1
	9-3713		Installation—Radio compass antenna	AI	NP
	3-14988-2		Installation—Whip antenna seal	AI	NP
9	1-30175		Seal—Whip antenna	AI	1
10	L20678-502		Whip and Handle Assembly (Aircraft Accessories)	AI	1
11	L20699-502		Housing and Disc Assembly (Aircraft Accessories)	AI	1
	3-18541		Installation—Liaison antenna insulator	AI	NP
12	35A2276		Insulator (Type IN81) GFE	AI	2
	1-17633		Installation—Receiver lead-in insulator	AI	NP
	1-17633-1		Installation—Receiver lead-in insulator	LC	NP
	1-17633-3		Installation—Receiver lead-in insulator	AI	NP
	1-17633-4		Installation—Receiver lead-in insulator	IC	NP
	1-17633-5		Installation—Receiver lead-in insulator	AI	NP
13	35A2276		Insulator (Type IN81) GFE	AI	1
14	9-6452-4		Lead Assembly—Antenna	AI	1
15	9-6452-19		Lead Assembly—Antenna	Y	1
16	9-6452-13		Lead Assembly—Antenna	AI	1
17	9-6452		Lead Assembly—Antenna	TB	1
	9-6452-41		Lead Assembly—Antenna	EN	1
18	9-6452-9		Lead Assembly—Antenna	TB	1
	9-6452-21		Lead Assembly—Antenna	CN	1
19	9-6452-16		Lead Assembly—Antenna	AI	1
20	9-6452-26		Lead Assembly—Antenna	CN	1
21	9-6452-30		Lead Assembly—Antenna	CN	1
22	9-6452-33		Lead Assembly—Antenna	EN	1
23	9-6452-37		Lead Assembly—Antenna	EN	1
	3-13944		Installation—Command lead-in insulator	AI	NP
24	1-18465		Insulator	AI	2
	1-23553		Installation—Command transmitter insulator	AI	NP
25	35A2276		Insulator (Type IN81) GFE	AI	1
	3-15165		Installation—Bulkhead station 6 insulator	AI	NP
26	35A2282		Insulator (Type IN84) GFE	AI	1
	6-10781		Installation—Trailing antenna insulator	OA	NP
27	35A2277		Insulator (Type IN82) GFE	OA	4
	15-13217		Installation—Trailing antenna lead-in	LK	NP
28	15-13214-9		Lead-in Assembly	LK	1
	35A2277		Insulator (Type IN82) GFE	LK	1
29	15-13217-10		Lead-in Assembly	LK	1
30	15-13217-11		Lead-in Assembly	LK	1
	35A2277		Insulator (Type IN82) GFE	LK	1
	35A2277		Insulator (Type IN82) GFE	LK	4
31	6-10105		Installation—Antenna switch	AI	NP
32	962		Switch Assembly (Square D Co.)	TB	1
	SW223		Switch Assembly—GFE	CN	1
	SW225		Switch Assembly—GFE	XO	1
	3-21910		Installation—Antenna insulator	TB	NP
33	35A2277		Insulator (Type IN82) GFE	TB	1
34	IN88		Insulator—GFE	AI	2
35	15-7774-2		Link	HA	2
36	3-26086		Spring Assembly—Aircraft antenna	JI	3
	55-7774-420		Antenna Assembly	EN	1
37	3-26086		Spring Assembly—Aircraft antenna	EN	1
38	SCA419		Insulator (Type IN88) GFE	EN	2
	1-12946-1		Bushing—Tab cable	EN	3
	6-18225		Installation—Compass antenna insulator	XL	NP
39	IN79		Insulator—GFE	XL	1
	3-13564		Installation—Liaison antenna lead-in insulator	AI	NP
40	3-13564-2		Link Assembly	AA	1
41	1-18465		Insulator	KB	2
	9-3765		Installation—Marker beacon antenna	AI	NP
	9-3765-1		Wire Assembly	AI	1
42	IN88		Insulator—GFE	AI	2
43	9-3765-16		Cable Assembly—Transmitter	OA	1
	9-3765-23		Cable Assembly—Transmitter	LK	1
	9-9160		Installation—Radio antenna mast	EN	NP
44	NO NUMBER		Mast—Antenna (Spec. AN104A) GFE	EN	1
	6-19357		Clamp Assembly—Antenna mast	EN	2
45	55-7774-423		Cable Assembly	EN	1
	1-17633-6		Installation—Receiver lead-in insulator	EN	NP
46	35A2276		Insulator (Type IN81) GFE	EN	1
47	9-10618		Lead Assembly—Antenna	XO	1
48	9-10618-5		Lead Assembly—Antenna	XO	1
49	9-10618-8		Lead Assembly—Antenna	XO	1
50	SCA419		Insulator (Type IN88) GFE	AI	2
51	1-12946-1		Bushing—Tab cable	AI	2
	6-9705		Installation—Radio compass loop	AI	NP
52	LP21AM		Loop (LP21A optional) GFE	AI	1
	6-22200		Mounting—Loop	AI	1
	9-5053		Installation—Radio antenna mast (see fig. 79)	AI	NP
53	9-5053-1		Mast Assembly	AI	1
54	1-25503		Grommet—Antenna mast	AI	1
	6-10137		Installation—Marker antenna mast (see fig. 79)	AI	NP
55	6-10137-1		Mast Assembly	AI	1
	9-3660		Installation—Marker antenna mast (see fig. 79)	AI	NP
56	9-3660-1		Mast Assembly	AI	1
	9-7955		Installation—Compass antenna mast (see fig. 71)	XL	NP
57	3-27987		Mast Assembly—Compass antenna	XL	1
58	1-25503		Grommet—Compass antenna	XL	1
	6-7956		Installation—Compass antenna mast (see fig. 71)	XL	NP
59	3-27987		Mast Assembly—Compass antenna	XL	1
60	1-25503		Grommet—Compass antenna	XL	1

Section I I
Group Assembly Parts List

AN 01-20EG-4

FUSELAGE

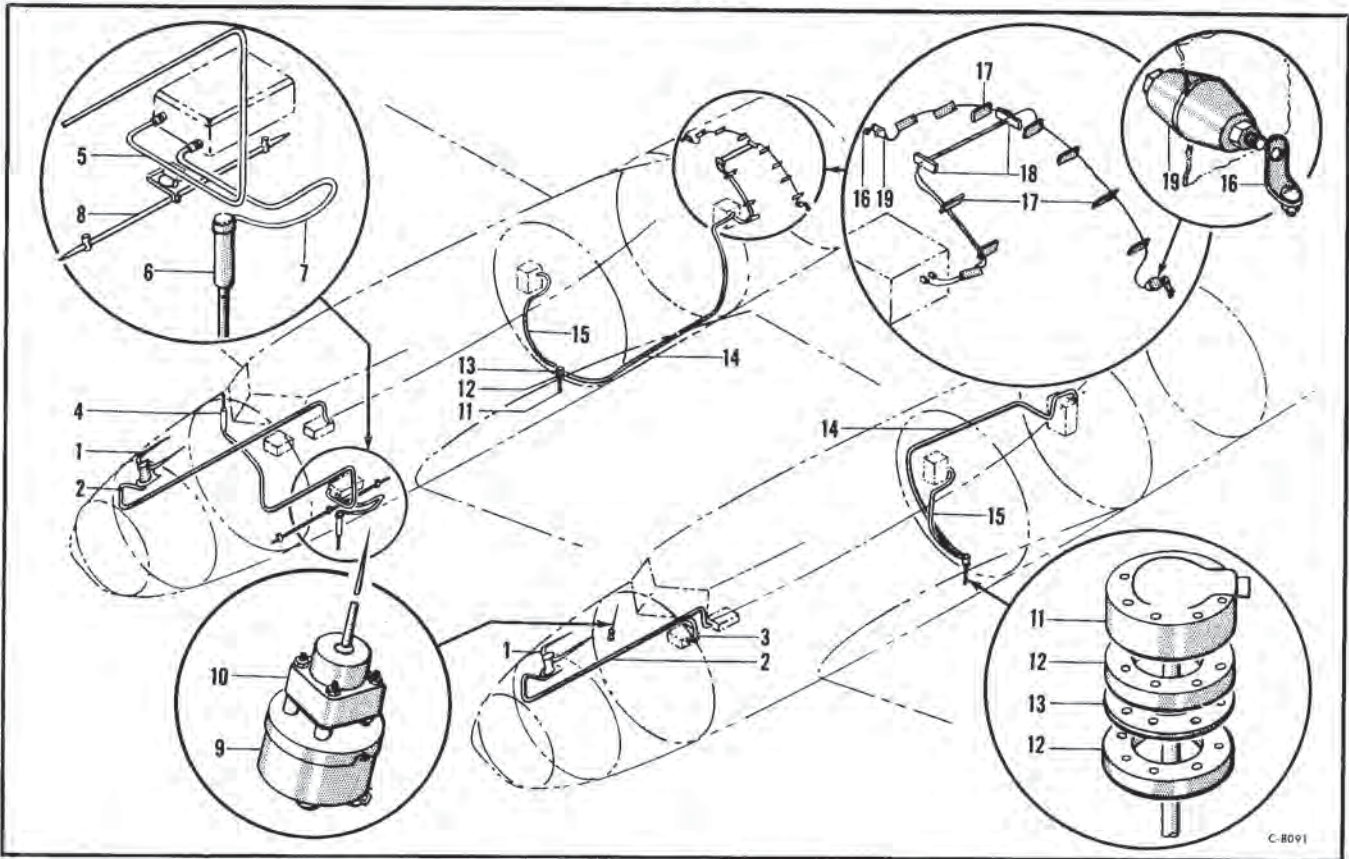


Figure 128—Radio Antenna (Special)

Radio-Antenna (Special)

Figure & Index No.	Part Number	1 2 3 4 5 6 7	Nomenclature	Usage Code	Units Per Assy.
			Radio Antenna (Special)		
	15-8769		Installation—Radio equipment (special)	All	NP
	9-7508		Installation—RC103 antenna mast	All	NP
128-1	NO NUMBER		Mast—Antenna (RC103) (Spec. AN100) (installed by Government)	TB	1
	AS27ARN5		Mast—Antenna (installed by Government)	EN	1
2	15-8769-11		Cable Assembly	DK	1
3	15-8769-13		Cable Assembly	EN	1
	9-4608		Installation—Receiver antenna mast	XA	NP
4	NO NUMBER		Mast Assembly—Antenna SCR515A radio (Spec. AN40A) (GFE for check instal only)	XA	1
	1-28799		Filler—Navigators case support	XA	1
5	3-15159-5		Cable Assembly—Antenna SCR515A	XA	1
	15-8793		Installation—Transmitter antenna mast	XA	1
6	NO NUMBER		Mast Assembly—Antenna SCR515A radio (Spec. AN40A) (GFE for check instal only)	XA	NP
	1-25596		Support—Antenna mast	XA	1
7	3-15159-6		Cable Assembly—Antenna SCR515A	XA	1
	15-9474		Installation—Lorenz blind landing DI-pole	XA	NP
8	15-9474-4		Aerial—(Type 1) (installed by Government)	XA	1
	1-23503-152		Spacer—1-4 bolt (installed by Government)	XA	1
	6-20796		Installation—Navigators radio antenna	RP	NP
9	MC432A		Unit—Loading GFE	RP	1
10	NO NUMBER		Antenna (Spec. AN109A)	RP	1
	9-4902		Installation—Identification radio mast	All	NP
11	R3090		Mast Assembly—Antenna (GFE for check installation only)	E	1
	NO NUMBER		Mast—Antenna (Spec. AN95A) GFE	ZE	1
12	1-23550		Mounting—Antenna mast	E	2
	1-29992		Spacer—Antenna mast	RE	2
13	1-23548		Gasket—Antenna mast	All	1
14	15-8769-7		Cable Assembly	AF	1
15	15-8769-8		Cable Assembly	YI	1
	15-9760		Installation—SCR535A radio antenna	E	NP
16	15-9760-16		Clip Assembly	E	2
	1-16064		Bushing—Antenna connection	E	2
17	3-21406		Insulator—Radio antenna	E	10
18	3-21406-1		Insulator—Radio antenna	E	2
	PL176		Plug Assembly SCR535A radio	E	2
	6-10756		Installation—SCR535A radio insulator (LH)	E	NP
	6-10756-1		Installation—SCR535A radio insulator (RH)	E	NP
19	IN79		Insulator GFE	E	1
	1-26402		Washer	E	1

FUSELAGE

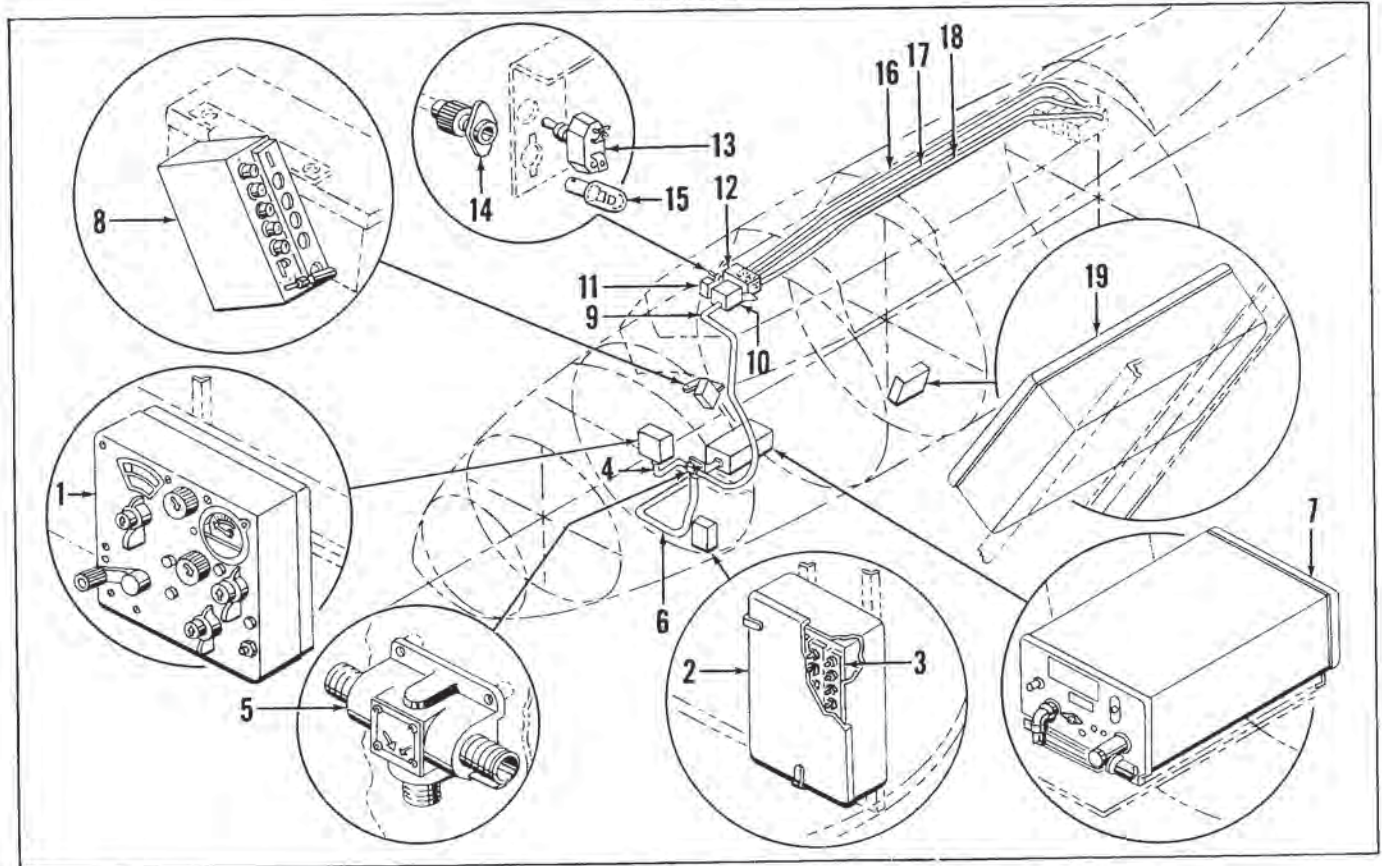


Figure 129—Forward Fuselage Radio Equipment

Forward Fuselage Radio Equipment

Figure & Index No.	Part Number	1	2	3	4	5	6	7	Nomenclature	Usage Code	Units Per Assy
									Forward Fuselage Radio Equipment	All	NP
									Installation—Radio equipment	All	NP
129-1	55-7789								Installation—Radio compass control	TB	1
	46-8833								Compass—Radio control box GFE	EN	1
	BC434A								Box—Control radio compass GFE	All	NP
	C4ARN7								Installation—Radio compass shield	All	1
2	9-6483								Shield Assembly—Radio compass relay	All	1
3	43-12785								Relay—GFE	All	1
4	BK22								Shaft—Tuning GFE	All	NP
	MC124-30								Installation—Radio compass coupling	All	1
	3-12787-3								Coupling—GFE	All	1
5	MC203								Shaft—Tuning GFE	All	NP
6	MC124-112								Installation—Radio compass receiver	TB	1
	9-6459								Unit—Radio compass GFE	EN	1
7	BC433								Unit—Radio compass GFE	All	NP
	R5ARN7								Mount—GFE	All	1
	FT213								Installation—Radio control box	All	1
8	6-19366								Box Assembly	All	1
	6-19366-1								Box—Radio control GFE	All	1
9	BC602B								Shaft—Tuning GFE	All	NP
	MC124-97								Installation—Radio and compass control	TB	1
	6-11564								Box—Radio and compass control GFE	EN	1
10	BC434								Box—Radio and compass control GFE	All	1
	C4ARN7								Box—Transmitter control GFE	All	1
11	BC451A								Mounting—GFE	All	1
	FT228								Box—Receiver control GFE	All	1
12	BC450A								Mounting—GFE	ZE	1
	FT222A								Switch—Single pole toggle	ZE	2
13	AN3021-6								Light Assembly—Direct Instrument	ZE	2
14	AN3034-1								Lamp—T3 1-4 single contact	All	1
15	AN3121-313								Shaft—Tuning GFE	All	1
16	MC215-214								Shaft—Tuning GFE	All	1
17	MC215-221								Shaft—Tuning GFE	All	NP
18	MC215-228								Installation—Forward radio junction shield	TB	1
	9-3646								Shield Assembly—Forward radio junction	EN	1
19	6-9354								Shield Assembly—Electrical junction	EN	1
	9-3646-6								Shield Assembly—Electrical junction	EN	1
	6-7625										

FUSELAGE

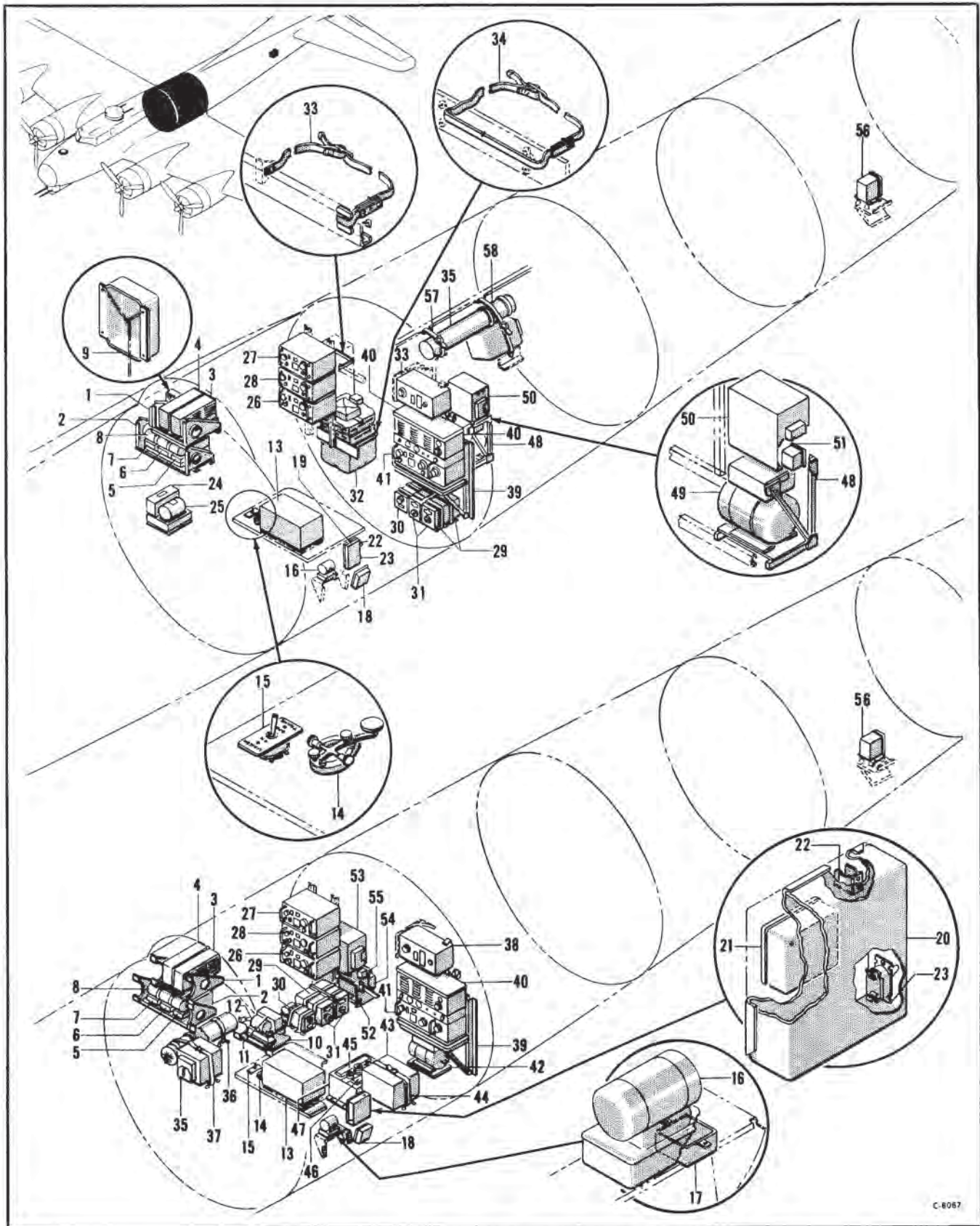


Figure 130— Aft Radio Equipment

AN 01-20EG-4

FUSELAGE

Aft Radio Equipment

Figure & Index No.	Part Number	1	2	3	4	5	6	7	Nomenclature	Usage Code	Units Per Assy.	
		Aft Radio Equipment										
		Installation—Radio equipment								All	NP	1
		Support Assembly—Command transmitter								All	NP	1
		Support Assembly—Command receiver								All	NP	1
		Transmitter—Radio command GFE								All	NP	1
		Transmitter—Radio command GFE								All	NP	1
		Receiver—Radio command GFE								All	NP	1
		Receiver—Radio command GFE								All	NP	1
		Receiver—Radio command GFE								All	NP	1
		Dynamotor—Radio command GFE								All	NP	3
		Relay Assembly—Command radio GFE								EN	NP	1
		Installation—Command radio dynamotor and modulator								EN	NP	1
		Support Assembly—Command modulator and dynamotor								EN	NP	1
		Modulator—Command GFE								EN	NP	1
		Dynamotor—Command GFE								EN	NP	1
		Installation—Liaison receiver								All	NP	1
		Receiver—GFE								All	NP	1
		Installation—Liaison key								All	NP	1
		Key Assembly—GFE								All	NP	1
		Installation—Liaison transmitter switch								All	NP	1
		Switch—Single pole toggle								All	NP	1
		Installation—Interphone dynamotor								All	NP	1
		Bracket Assembly								TC	NP	1
		Dynamotor—GFE								TC	NP	1
		Capacitor (P. R. Mallory)								TC	NP	1
		Installation—Interphone amplifier								TC	NP	1
		Installation—Interphone amplifier								WP	NP	1
		Amplifier—Interphone GFE								TC	NP	1
		Amplifier—Interphone GFE								WP	NP	1
		Installation—Liaison junction shield								All	NP	1
		Shield Assembly								EN	NP	1
		Shield Assembly—Electrical junction								EN	NP	1
		Shield Assembly—Forward radio junction								EN	NP	1
		Adapter—Microphone GFE								EN	NP	1
		Retainer—Interphone jack								All	NP	1
		Switch								All	NP	1
		Modulator—Command GFE								TC	NP	1
		Dynamotor—Command GFE								TC	NP	1
		Installation—Transmitter tuning unit								All	NP	1
		Unit—Tuning GFE								All	NP	1
		Unit—Tuning GFE								All	NP	1
		Unit—Tuning GFE								All	NP	1
		Case (Type C5-48) GFE								All	NP	3
		Installation—SCR274N radio stowage								All	NP	1
		Strap Assembly								All	NP	2
		Loop—Footman								All	NP	4
		Radio—Receiver GFE								All	NP	1
		Radio—Transmitter GFE								All	NP	2
		Radio—Emergency GFE								B	NP	1
		Installation—Emergency radio support								B	NP	1
		Strap Assembly—Emergency radio								B	NP	1
		Belt Assembly—Emergency radio								B	NP	2
		Loop—Footman								B	NP	1
		Installation—SCR578 radio transmitter								BE	NP	1
		Radio—Emergency GFE								BE	NP	1
		Strap Assembly—Emergency radio								KJ	NP	1
		Strap Assembly—Emergency radio								KJ	NP	1
		Loop—Footman								KJ	NP	3
		Installation—Antenna tuning unit								All	NP	1
		Unit—Antenna tuning GFE								All	NP	1
		Installation—Liaison transmitter								All	NP	1
		Installation—Transmitter support								CB	NP	1
		Support Assembly								CB	NP	1
		Transmitter—GFE								CB	NP	1
		Unit—Tuning GFE								CB	NP	1
		Installation—Liaison dynamotor								KJ	NP	1
		Dynamotor—GFE								KJ	NP	1
		Installation—Frequency meter set stowage								GQ	NP	1
		Set—Frequency meter GFE								GQ	NP	1
		Strap Assembly—Frequency meter stowage								GQ	NP	1
		Loop—Footman								GQ	NP	2
		Installation—SCR522 transmitter and receiver								EN	NP	1
		Base Assembly								EN	NP	1
		Base—Transmitter and receiver support								EN	NP	1
		Transmitter—GFE								EN	NP	1
		Receiver—GFE								EN	NP	1
		Case—GFE								EN	NP	1
		Installation—SCR535 radio receiver and dynamotor								OA	NP	1
		Installation—SCR535 receiver and dynamotor support								OA	NP	1
		Support Assembly								OA	NP	1
		Dynamotor Assembly—GFE								OA	NP	1
		Receiver Assembly—GFE								OA	NP	1
		Indicator Assembly—GFE								OA	NP	1
		Installation—Radio receiver and dynamotor								EN	NP	1
		Support Assembly—Receiver and dynamotor								EN	NP	1
		Receiver—GFE								EN	NP	1
		Dynamotor—GFE								EN	NP	1
		Indicator—GFE								EN	NP	1
		Installation—Marker beacon receiver								All	NP	1
		Receiver—GFE								RD	NP	1
		Receiver—GFE								GH	NP	1
		Installation—SCR578 radio support								WD	NP	1
		Strap Assembly—Emergency radio								WD	NP	1
		Strap Assembly—Emergency radio								WD	NP	1
		Loop—Footman								WD	NP	3

FUSELAGE

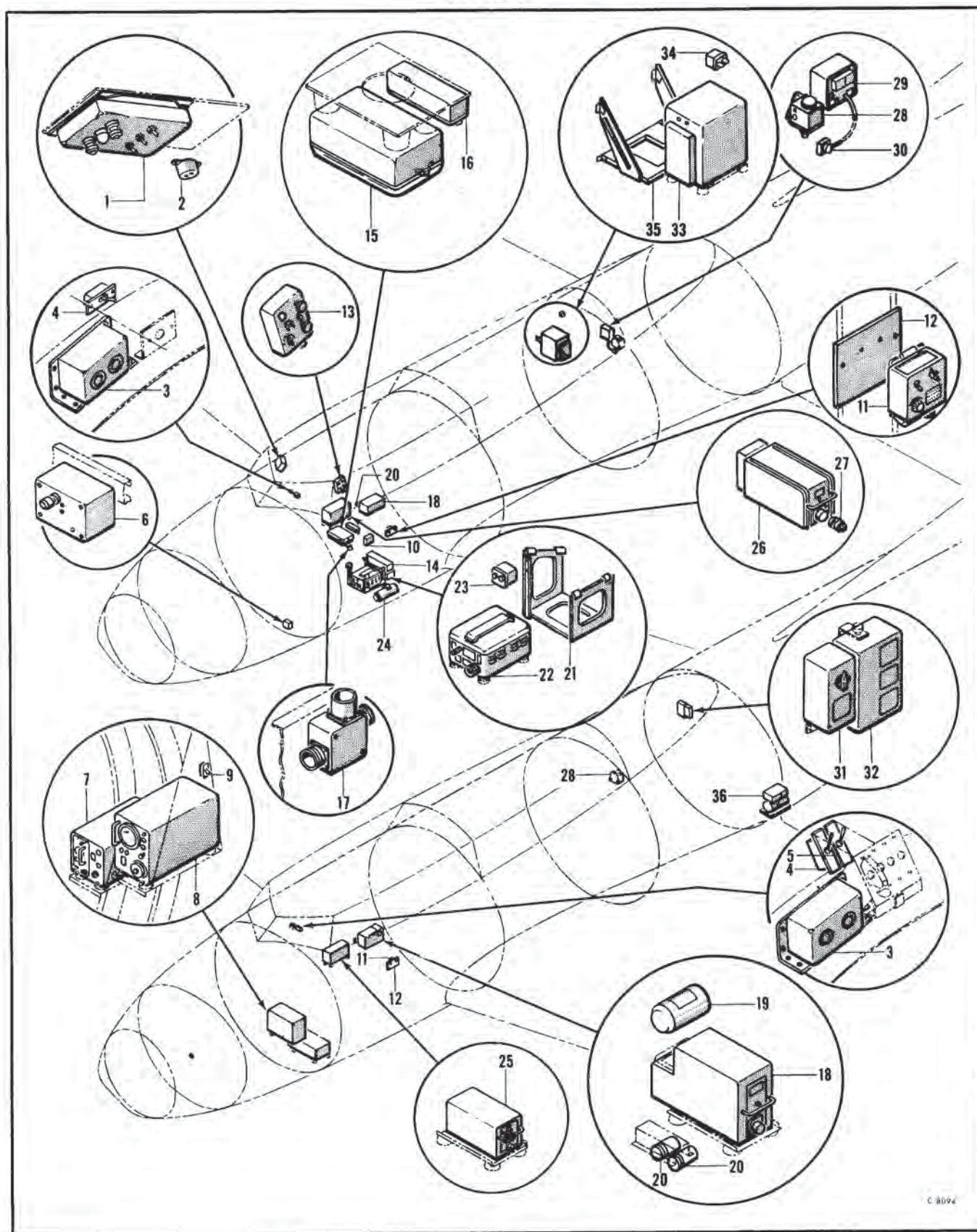


Figure 131—Special Radio Equipment

AN 01-20EG-4

FUSELAGE

Special Radio Equipment

Figure & Index No.	Part Number	1 2 3 4 5 6 7	Nomenclature	Usage Code	Units Per Assy.
			Special Radio Equipment.		
	15-8769		Installation—Radio equipment (special)	All	NP
	9-4607		Installation—SCR515A radio control and switch.	XA	NP
131-1	BC646A		Control Assembly GFE	XA	1
	FT256A		Plate—Mounting GFE	XA	1
2	SW181		Switch Assembly GFE	XA	1
	9-5058		Installation—SCR535A radio detonator switch.	WC	NP
3	9-5058-7		Switch Assembly	WC	1
	BC765		Switch GFE	WC	1
	9-5058-8		Support Assembly	E	1
4	AN3022-2B		Switch—Single pole toggle	E	1
	9-5058-13		Support Assembly	ZE	1
5	AN3022-2B		Switch—Single pole toggle	ZE	2
	49-1356-2		Guard (Cutler-Hammer)	ZE	1
	9-5607		Installation—Lorenz blind landing relay	XA	NP
6	BC927		Switch—Relay antenna GFE	XA	1
	15-7774		Installation—Navigators radio receiver and indicator	WP	NP
7	RI335		Receiver GFE	WP	1
	FT447		Mounting—Receiver GFE	WP	1
8	62		Indicator GFE	WP	1
	FT446		Mounting—Indicator GFE	WP	1
9	AN3022-2B		Switch—Single pole toggle	WP	1
	6-13135		Installation—Lorenz blind landing junction box	TA	NP
10	6-13135-1		Box—Junction (Type no. 9) GFE	TA	1
	6-14152		Installation—Blind landing control	DK	NP
11	BC732A		Box—Radio control GFE	DK	1
	6-14152-3		Mount Assembly	WJ	1
	6-14152-4		Mount Assembly	PK	1
12	FT292		Mounting GFE	DK	1
	9-5062		Installation—Lorenz blind landing control	XA	NP
13	9-5062-1		Control Assembly GFE	XA	1
	6-11962		Installation—Lorenz blind landing power unit	XA	NP
14	6-11962-1		Unit—Power GFE	XA	1
	9-5041		Installation—Lorenz blind landing receiver (R1125A) GFE	XA	NP
15	R1125A		Receiver Assembly GFE	XA	1
16	9-5041-2		Box Assembly—Junction (Type 7) GFE	XA	1
	3-19251		Installation—Tee blind landing junction	XA	NP
17	3-19251-1		Box—Junction (Type no. 8) GFE	XA	1
	6-13108		Installation—Blind landing receiver	All	NP
18	6-13108-1		Receiver GFE	TB	1
	AN8008-27		Insulator—Vibration	TB	1
	BC733		Receiver GFE	EN	1
	FT283		Mounting GFE	EN	1
19	DM53		Dynamotor GFE	DK	1
	3-20639		Installation—Blind landing panel	DK	NP
20	30KB1250		Capacitor GFE	EN	2
	9-3776		Installation—SCR515A radio receiver and transmitter	XA	NP
	15-7366		Installation—Receiver and transmitter bracket	XA	NP
21	15-7366-13		Bracket Assembly	XA	1
22	BC645A		Receiver and Transmitter Assembly GFE	XA	1
	FT255A		Mount Assembly GFE	XA	1
23	BC727		Indicator (BC767 optional) GFE	XA	1
	9-4603		Installation—SCR515A radio dynamotor and coder	XA	NP
24	PE101A		Dynamotor and Coder (Type PE101A) GFE	XA	1
	FT251A		Plate—Mounting (Type FT251A) GFE	XA	1
	9-9196		Installation—Radio-glide path receiver	DN	NP
	9-10607		Installation—Radio-glide path receiver	WP	NP
25	R47ARN5		Receiver (R57ARN5 optional) GFE	EN	1
	MT28ARN5		Mounting GFE	EN	1
26	R89ARN5A		Receiver GFE	WP	1
27	U19ARN		Adapter GFE	WP	1
	9-4616		Installation—SCR535A radio switch	All	NP
28	BC706A		Switch Assembly GFE	HB	1
	SA3A		Switch Assembly GFE	QL	1
	9-4611		Installation—IFF radio control	All	NP
29	BC648A		Control Assembly GFE	E	1
	FT248A		Mount Assembly GFE	All	1
30	SO158A		Socket GFE	TB	1
	9-4647-2		Plug Assembly	E	1
31	BC965A		Box—Control GFE	ZE	1
32	BC958A		Box—Control GFE	ZE	1
	FT345A		Mounting—Adapter GFE	ZE	1
	15-8796		Installation—IFF radio receiver	YI	NP
33	BC966A		Receiver GFE	YI	1
	FT247		Mount Assembly GFE	YI	1
34	BC727		Indicator (BC767 optional) GFE	YI	1
	15-13245		Installation—IFF receiver support	YI	1
35	15-13245-1		Support Assembly	YI	1
	9-9232		Installation—Navigators radio inverter	WP	NP
36	PE206		Inverter GFE	WP	1
	FT107		Mounting GFE	WP	1

Section I I
Group Assembly Parts List

AN 01-20EG-4

FUSELAGE

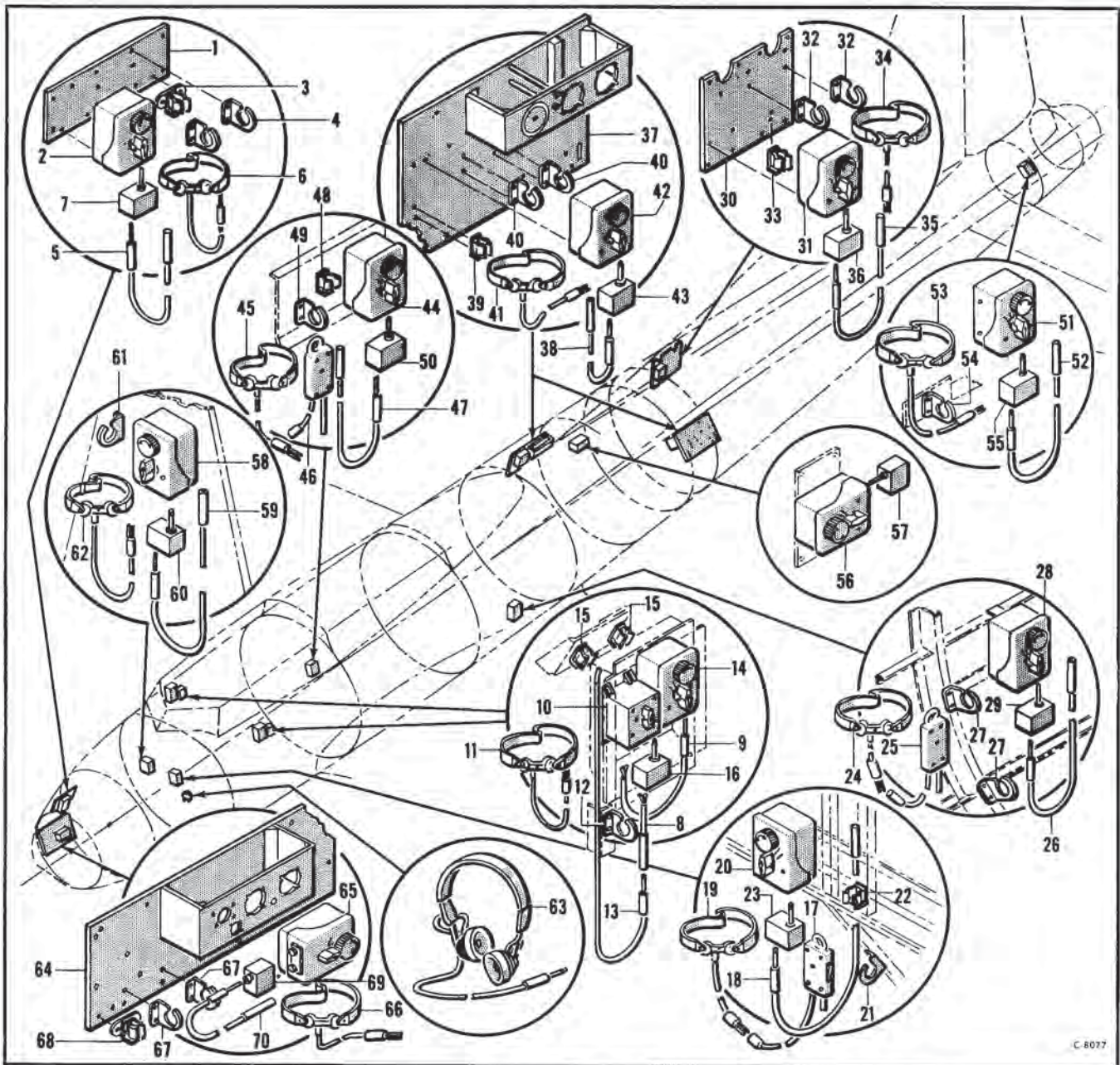


Figure 132—Radio Interphone

Radio Interphone

Figure & Index No.	Part Number	1 2 3 4 5 6 7	Nomenclature	Usage Code	Units Per Assy.
	55-7789		Radio Interphone	All	NP
	8-2567		Installation—Radio equipment	AB	NP
	8-2567-1		Installation—Bombardier interphone	AB	1
	8-2567-3		Panel Assembly	AB	1
	BC366		Panel	AB	1
	41-7592		Box Assembly—Jack GFE	AB	1
	41-1150		Retainer Assembly—Headset jack	AB	1
	1-20535-60		Hanger—Headset cords	AB	2
	T30		Cord Assembly—Head phone extension	AB	1
	MC385		Microphone Assembly GFE	AB	1
	64-1741-506		Adapter GFE	XD	1
	59-2916-505		Installation—Pilots interphone	All	NP
	59-2916-506		Installation—Co-pilots interphone	All	NP
	64-1741-509		Filter Assembly (used on 64-1741-506 only)	TB	1
	59-2916-507		Filter Assembly (used on 59-2916-505 only)	TB	1
	64-1741-514		Filter Assembly (used on 64-1741-506 only)	EN	1

AN 01-20EG-4

FUSELAGE

Radio Interphone

Figure & Index No.	Part Number	1	2	3	4	5	6	7	Nomenclature	Usage Code	Units Per Assy.
132-8	59-2916-512								Filter Assembly (used on 59-2916-505 only)	EN	1
9	1-20538-8								Cord Assembly—Turret headset	AI	1
10	1-20537-16								Cord Assembly—Turret headset	EN	1
11	FLS								Filter GFE	AI	1
12	T30								Microphone Assembly GFE	AI	1
13	41-1150								Hanger—Headset cords	AI	1
14	1-20535-54								Cord Assembly—Headphone extension	AI	1
15	BC366								Box Assembly—Jack GFE	TB	1
16	BC1366								Box Assembly—Jack GFE	EN	1
17	41-158-1								Retainer—Interphone jack	AI	2
18	MC385								Adapter GFE	AI	1
19	49-3362								Installation—Navigators interphone	TC	NP
20	CD508								Cord Assembly GFE	LC	1
21	1-20535-60								Cord Assembly—Headphone extension	TC	1
22	T30								Microphone Assembly GFE	TC	1
23	BC366								Box Assembly—Jack GFE	TB	1
24	BC1366								Box Assembly—Jack GFE	EN	1
25	41-1150								Hanger—Headset cord	TC	1
26	41-158								Retainer—Interphone jack	TC	1
27	MC385								Adapter GFE	XD	1
28	59-2875								Installation—Radio operators interphone	AI	NP
29	T30								Microphone Assembly GFE	AI	1
30	CD508								Cord Assembly GFE	AI	1
31	1-20535-60								Cord Assembly—Headphone extension	TA	1
32	1-20535-84								Cord Assembly—Headphone extension	DK	1
33	41-1150								Hanger—Headset cord	AI	2
34	BC366								Box Assembly—Jack GFE	TB	1
35	BC1366								Box Assembly—Jack GFE	EN	1
36	MC385								Adapter GFE	AI	1
37	15-10404								Installation—Side gunner interphone	OA	NP
38	15-10404-1								Panel Assembly	OA	1
39	6-13150								Panel	OA	1
40	15-10404-4								Box Assembly—Jack	OA	1
41	BC366								Box Assembly—Jack GFE	OA	1
42	41-1150								Hanger—Headset cord	OA	2
43	41-158								Retainer—Interphone jack	OA	1
44	T30								Microphone Assembly GFE	OA	2
45	1-20535-60								Cord Assembly—Headphone extension	OA	2
46	MC385								Adapter GFE	XD	1
47	15-13096								Installation—Waist gunners panel (LH)	KJ	NP
48	15-13096-1								Installation—Waist gunners panel (RH)	KJ	NP
49	15-13096-6								Panel Assembly	BJ	1
50	15-13096-13								Panel Assembly	WN	1
51	15-13096-14								Panel Assembly	WG	1
52	9-7367-6								Panel Assembly—Gunners	BJ	1
53	9-7367-10								Panel Assembly—Gunners	XN	1
54	1-20535-100								Cord Assembly—Headphone extension	EJ	1
55	41-158								Retainer—Headset jack	AI	1
56	41-1150								Hanger—Headset cord	AI	2
57	T30								Microphone Assembly GFE	AI	2
58	BC366								Box Assembly—Jack GFE	TB	1
59	BC1366								Box Assembly—Jack GFE	EN	1
60	MC385								Adapter GFE	AI	1
61	46-9333								Installation—Gunners interphone	AI	NP
62	BC366								Box Assembly—Jack GFE	TB	1
63	BC1366								Box Assembly—Jack GFE	EN	1
64	T30								Microphone Assembly GFE	AI	1
65	CD508								Cord Assembly GFE	AI	1
66	1-20535-60								Cord Assembly—Headphone extension	AI	1
67	41-158								Retainer—Interphone jack	CB	1
68	41-1150								Hanger—Headset cord	AI	1
69	MC385								Adapter GFE	XD	1
70	48-1293								Installation—Rear gunners interphone	AI	NP
71	8-1293-9								Box Assembly—Jack	TB	1
72	BC366								Box Assembly—Jack GFE	TB	1
73	BC1366								Box Assembly—Jack GFE	EN	1
74	1-20535-42								Cord Assembly—Headphone extension	AI	1
75	T30								Microphone Assembly GFE	AI	1
76	41-1150-1								Hanger—Headset cord	AI	1
77	MC385								Adapter GFE	XD	1
78	9-5884								Installation—Lower turret interphone	AI	NP
79	9-5884-1								Box Assembly—Jack	OA	1
80	9-5884-7								Box Assembly—Jack	YI	1
81	BC366								Box Assembly—Jack GFE	TB	1
82	9-5884-10								Box Assembly—Jack	EN	1
83	BC1366								Box Assembly—Jack GFE	EN	1
84	MC385								Adapter GFE	AI	1
85	9-9209								Installation—Navigators interphone	WP	NP
86	BC1366								Box Assembly—Jack GFE	WP	1
87	1-20535-60								Cord Assembly—Headphone extension	WP	1
88	MC385								Adapter GFE	WP	1
89	41-1150								Hanger—Headset cord	WP	1
90	T30								Microphone Assembly GFE	WP	1
91	HS33								Headsets GFE	AI	9
92	15-13876								Installation—Bombardier equipment panel	AL	NP
93	15-13876-1								Panel Assembly	XK	1
94	15-13876-10								Panel Assembly	AN	1
95	15-13876-13								Panel Assembly	VN	1
96	15-13876-12								Panel Assembly	MP	1
97	7-2114								Panel Assembly	YK	1
98	7-2114-5								Panel Assembly	XN	1
99	BC366								Box Assembly—Jack GFE	XK	1
100	BC1366								Box Assembly—Jack GFE	EN	1
101	T30								Microphone Assembly GFE	AI	1
102	41-1150								Hanger—Headset cord	AI	2
103	41-7592								Retainer—Headset jack	AI	1
104	MC385								Adapter GFE	AI	1
105	1-20535-60								Cord Assembly—Headphone extension	AI	1

FUSELAGE

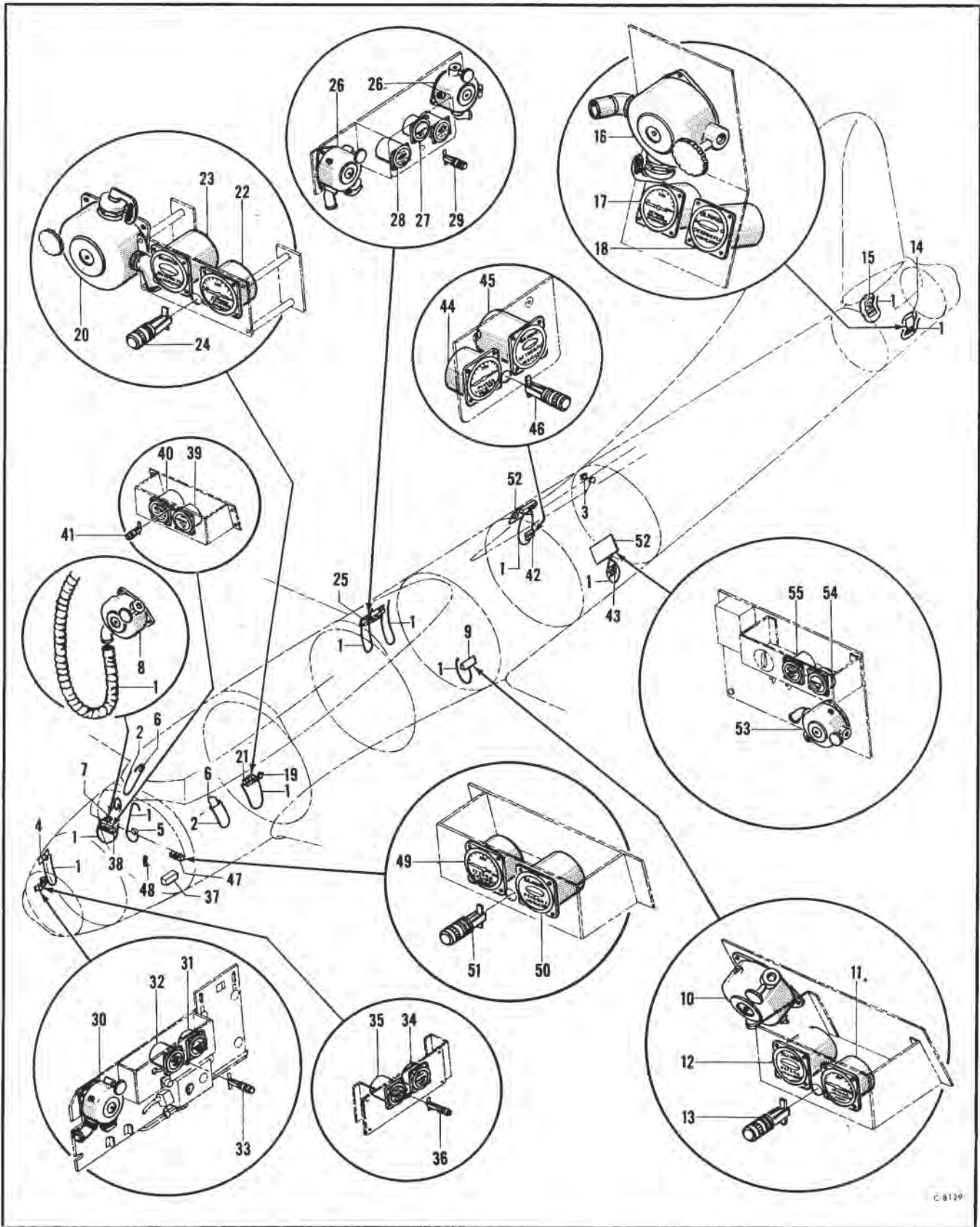


Figure 133—Oxygen System Control Panels

AN 01-20EG-4

FUSELAGE

Oxygen System Control Panels

Figure & Index No.	Part Number	1	2	3	4	5	6	7	Nomenclature	Usage Code	Units Per Assy.	
		Oxygen System Control Panels										
		Installation—Oxygen tubing								All	NP	
133-1	55-7365	Tube Assembly—Oxygen mask to regulator GFE								All	11	
2	AN6003-6	Tube Assembly—Oxygen mask to regulator GFE								All	2	
3	AN6004-1	Regulator—Diluter demand oxygen								OA	2	
	6-13160	Installation—Oxygen regulator								AB	NP	
	6-13699	Installation—Oxygen regulator								All	NP	
	6-12867	Installation—Oxygen regulator								All	NP	
	6-12867-1	Installation—Oxygen regulator								All	NP	
	6-19371	Installation—Oxygen regulator								All	NP	
4	6-13160-1	Panel Assembly—Oxygen regulator (used on 6-13160)								AB	1	
5	6-13699-1	Regulator Assembly—Oxygen (used on 6-13699)								NC	1	
	6-13699-3	Regulator Assembly—Oxygen (used on 6-13699)								PP	1	
6	6-12867-7	Bracket Assembly—Oxygen regulator (used on 6-12867 and 6-12867-1)								All	1	
7	6-19371-1	Regulator Assembly—Oxygen (used on 6-19371)								XL	1	
8	AN6004-1	Regulator—Diluter demand oxygen GFE								All	1	
	6-13101	Installation—Oxygen equipment bracket								All	NP	
9	6-12633-3	Bracket Assembly								XB	1	
	6-12633-7	Bracket Assembly								XN	1	
10	AN6004-1	Regulator—Diluter demand oxygen GFE								All	1	
11	AN6021-1A	Gage—Low pressure oxygen GFE								All	1	
12	NO NUMBER	Indicator—Oxygen flow (Spec 40389) (Type A-1) GFE								All	1	
13	42B3593-2	Lamp Assembly—Indicator GFE								XB	1	
	AN3121-2	Lamp—T3 1-4 single-contact GFE								XN	1	
	9-5876	Installation—Oxygen controls panel								All	NP	
	9-5876-1	Installation—Oxygen controls panel								XL	NP	
14	9-5876-13	Panel Assembly—Oxygen controls (used on 9-5876)								All	1	
15	9-5876-19	Panel Assembly—Oxygen controls (used on 9-5876-1)								UL	1	
	9-5876-23	Panel Assembly—Oxygen controls (used on 9-5876-1)								XM	1	
16	AN6004-1	Regulator—Diluter demand oxygen GFE								All	1	
17	NO NUMBER	Gage—Oxygen pressure (Spec 27368) (Type K-1) GFE								All	1	
18	AN6029-1	Indicator—Oxygen flow GFE								All	1	
	9-5523	Installation—Oxygen equipment bracket								XL	NP	
19	9-5523-8	Regulator Assembly—Oxygen								All	1	
20	AN6004-1	Regulator—Diluter demand oxygen GFE								All	1	
21	9-5523-7	Panel Assembly—Oxygen equipment								VL	1	
	9-5523-11	Panel Assembly—Oxygen equipment								XN	1	
22	AN6021-1A	Gage—Low pressure oxygen GFE								All	1	
23	AN6029-1	Indicator—Oxygen flow GFE								All	1	
24	42B3593-2	Lamp Assembly—Indicator GFE								VL	1	
	AN3121-313	Lamp—T3 1-4 single-contact GFE								XN	1	
	15-16139	Installation—Oxygen regulator panel								XL	NP	
25	15-16139-1	Panel Assembly—Oxygen regulator								VL	1	
	15-16139-7	Panel Assembly—Oxygen regulator								XN	1	
26	AN6004-1	Regulator—Diluter demand oxygen GFE								All	2	
27	AN6021-1A	Gage—Low pressure oxygen GFE								All	1	
28	AN6029-1	Indicator—Oxygen flow GFE								All	2	
29	42B3593-2	Lamp Assembly—Indicator GFE								VL	1	
	AN3121-313	Lamp—T3 1-4 single-contact GFE								XN	1	
	15-13875	Installation—Bombardiers equipment panel (see fig. 132)								AL	NP	
	15-13876-1	Panel Assembly—Bombardier equipment								XK	1	
	15-13876-10	Panel Assembly—Bombardier equipment								AN	1	
	15-13876-13	Panel Assembly—Bombardier equipment								VN	1	
	15-13876-12	Panel Assembly—Bombardier equipment								MP	1	
30	AN6004-1	Regulator—Diluter demand oxygen GFE								All	1	
31	AN6021-1A	Gage—Low pressure oxygen GFE								All	1	
32	AN6029-1	Indicator—Oxygen flow GFE								All	1	
33	42B3593-2	Lamp Assembly—Indicator GFE								YK	1	
	AN3121-313	Lamp—T3 1-4 single-contact								YK	1	
	7-2014	Installation—Oxygen panel								AB	NP	
	7-2014-7	Panel Assembly—								All	1	
34	NO NUMBER	Gage—Oxygen pressure (Spec 27368) (Type K-1) GFE								All	1	
35	NO NUMBER	Indicator—Oxygen flow (Spec 40427) (Type A-3) GFE								All	1	
36	42B3593-2	Lamp Assembly—Indicator GFE								All	1	
	AN3121-313	Lamp—T3 1-4 single-contact GFE								All	1	
	6-13839	Installation—Oxygen gages panel								JB	NP	
	9-9177	Installation—Oxygen gages panel								XL	NP	
37	6-13839-3	Panel Assembly—Oxygen gages (used on 6-13839)								JB	1	
38	9-9177-1	Panel Assembly—Oxygen gages (used on 9-9177)								VL	1	
	9-9177-2	Panel Assembly—Oxygen gages (used on 9-9177)								XN	1	
39	AN6021-1A	Gage—Low pressure oxygen GFE								All	1	
40	AN6029-1	Indicator—Oxygen flow GFE								All	1	
41	42B3593-2	Lamp Assembly—Indicator GFE								XB	1	
	AN3121-313	Lamp—T3 1-4 single-contact GFE								XB	1	
	6-12648	Installation—Oxygen instrument panel								OA	NP	
	6-12648-1	Installation—Oxygen instrument panel								OA	NP	
42	6-12648-7	Panel Assembly—Oxygen instrument (used on 6-12648)								All	1	
43	6-12648-6	Panel Assembly—Oxygen instrument (used on 6-12648-1)								All	1	
44	AN6021-1	Gage—Low pressure oxygen GFE								All	1	
45	NO NUMBER	Indicator—Oxygen flow (Spec 40427) (Type A-3) GFE								All	1	
46	42B3593-2	Lamp Assembly—Indicator GFE								All	1	
	AN3121-313	Lamp—T3 1-4 single-contact GFE								All	1	
	9-9184	Installation—Navigators oxygen gages panel								WL	NP	
	9-9872	Installation—Navigators oxygen gages bracket								WP	NP	
47	9-9184-1	Panel Assembly—Navigators oxygen gages (used on 9-9184)								VL	1	
	9-9184-2	Panel Assembly—Navigators oxygen gages (used on 9-9184)								UN	1	
48	9-9872-1	Bracket Assembly—Navigators oxygen gages (used on 9-9872)								WP	1	
49	NO NUMBER	Gage—Oxygen pressure (Spec 27368) (Type K-1) GFE								All	1	
50	AN6029-1	Indicator—Oxygen flow GFE								All	1	
51	42B3593-2	Lamp Assembly—Indicator GFE								VL	1	
	AN3121-313	Lamp—T3 1-4 single-contact GFE								VL	1	
52	15-13096-6	Panel Assembly—Waist gunners (see fig. 132)								CJ	Ref	
	15-13096-13	Panel Assembly—Waist gunners (see fig. 132)								YN	Ref	
	15-13096-14	Panel Assembly—Waist gunners (see fig. 132)								WQ	Ref	
53	AN6004-1	Regulator—Diluter demand oxygen GFE								KJ	1	
54	NO NUMBER	Gage—Oxygen pressure (Spec 27368) (Type K-1) GFE								KJ	1	
55	NO NUMBER	Indicator—Oxygen flow (Spec 40427) (Type A-3) GFE								KJ	1	

FUSELAGE

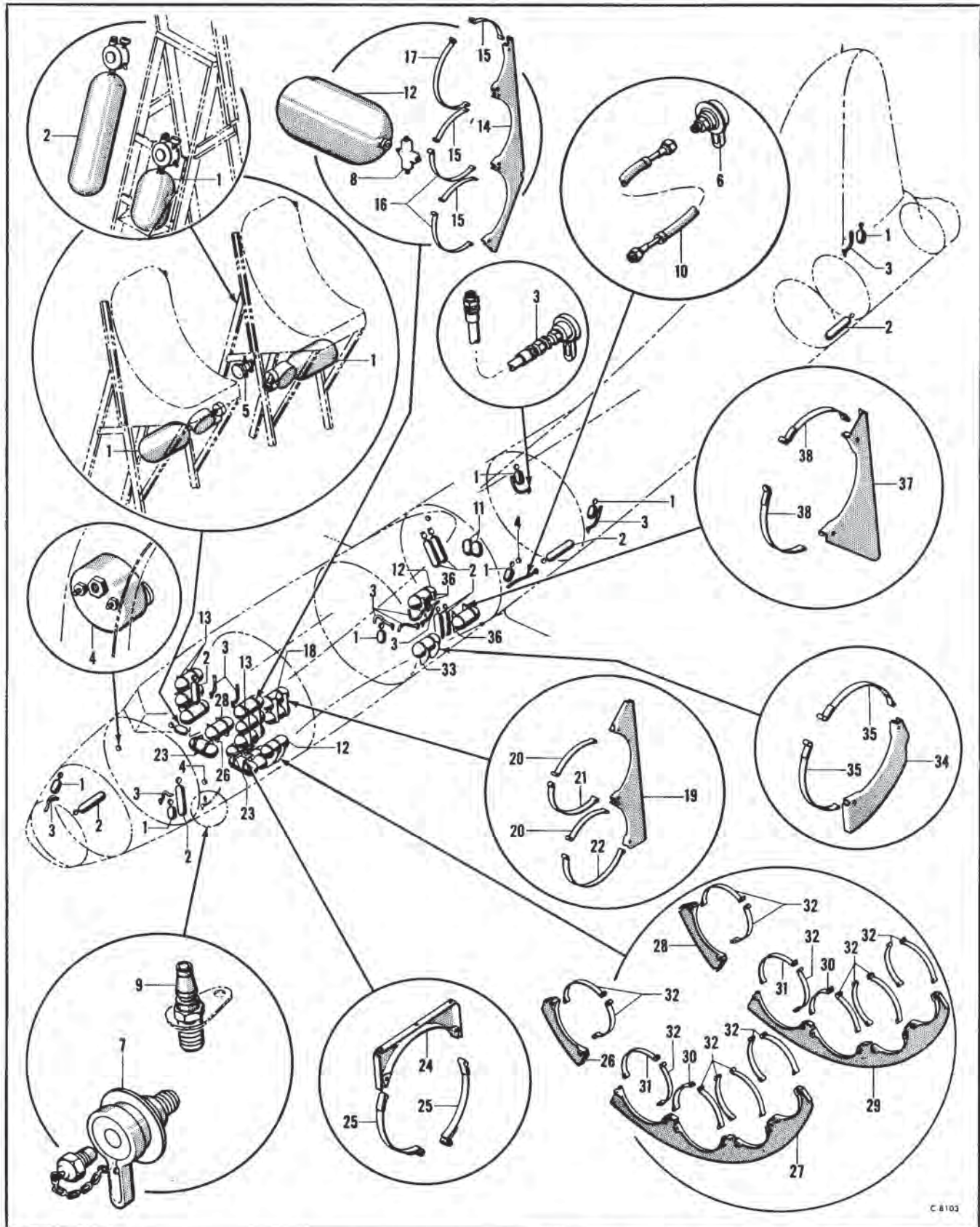


Figure 134—Miscellaneous Oxygen Equipment

FUSELAGE
Miscellaneous Oxygen Equipment

Figure & Index No.	Part Number	1	2	3	4	5	6	7	Nomenclature	Usage Code	Units Per Assy.
	55-7365								Miscellaneous Oxygen Equipment.....		
									Installation—Oxygen tubing.....	All	NP
134-1	AN6020-1								Cylinder and Regulator Assembly—Portable oxygen GFE.....	LC	10
2	44C7367								Cylinder and Regulator Assembly—Portable oxygen GFE.....	MP	10
3	AN6041-1								Recharger Assembly—Portable oxygen.....	All	11
4	NO NUMBER								Signal Assy—Oxygen pressure (Spec 32376) (Type G-1) GFE.....	SC	4
	15-16593								Installation—Oxygen shut-off valve.....	HM	NP
	15-16593-1								Valve Assembly—Oxygen shut-off.....	GM	1
	15-16593-3								Valve Assembly—Oxygen shut-off.....	RP	1
5	NO NUMBER								Valve—Oxygen shut-off (Spec 40386) GFE.....	GM	1
	15-16593-2								Valve—Oxygen shut-off.....	RP	1
6	1660-197								Valve—Filler (Schrader).....	U	1
7	1660								Valve—Filler (Schrader).....	All	1
8	2181								Valve—Dual check (Schrader).....	All	18
	3-19279								Installation—Oxygen adapter.....	All	NP
	3-19279-1								Adapter Assembly—Oxygen.....	All	1
9	42A6950								Adapter—Oxygen GFE.....	All	1
10	3-14230								Hose Assembly—Flexible metal.....	U	1
11	NO NUMBER								Bottle—Oxygen (Spec 94-40330) (Type F-1) GFE.....	U	2
	15-7522								Installation—Oxygen bottle.....	All	NP
12	NO NUMBER								Cylinder—Oxygen (Spec 40321) (Type G-1) GFE.....	All	18
	15-7533-1								Installation—Oxygen cylinder cradle (LH).....	All	NP
	15-7533-2								Installation—Oxygen cylinder cradle (RH).....	All	NP
	15-7533-3								Installation—Oxygen cylinder cradle (LH).....	All	NP
13	15-7533-8								Cradle Assembly—Oxygen cylinder (used on 15-7533-1 and 15-7533-2).....	All	2
14	15-7533-11								Cradle.....	All	1
15	3-20139-12								Strap Assembly.....	ZC	3
	6-22008-2								Strap Assembly.....	HQ	3
16	3-20139-17								Strap Assembly.....	ZC	2
	6-22008-12								Strap Assembly.....	HQ	2
17	3-20139-20								Strap Assembly.....	ZC	1
	6-22008-18								Strap Assembly.....	HQ	1
18	15-17533-6								Cradle Assembly—Oxygen cylinder (used on 15-7533-3).....	All	2
19	15-17533-7								Cradle.....	EA	1
	15-17533-12								Cradle.....	QH	1
20	3-20139-11								Strap Assembly.....	ZC	2
	6-22008								Strap Assembly.....	HQ	2
21	3-20139-18								Strap Assembly.....	ZC	1
	6-22008-14								Strap Assembly.....	HQ	1
22	3-20139-19								Strap Assembly.....	ZC	1
	6-22008-16								Strap Assembly.....	HQ	1
	9-3441								Installation—Oxygen cylinder cradle.....	All	NP
23	9-3441-1								Cradle Assembly.....	All	4
24	9-3441-3								Cradle.....	All	1
25	3-20139-14								Strap Assembly.....	ZC	2
	6-22008-6								Strap Assembly.....	HQ	2
	15-7373-25								Installation—Oxygen cylinder bracket (see fig. 71).....	All	NP
26	15-7373-17								Support—Forward.....	All	1
	15-7373-26								Support Assembly—Forward.....	All	1
27	15-7373-19								Support—Forward.....	All	1
28	15-7373-20								Support—Rear.....	XA	1
	15-7373-28								Support—Rear.....	PK	1
	15-7373-27								Support Assembly—Rear.....	All	1
29	15-7373-21								Support—Rear.....	All	1
30	3-20139-13								Strap Assembly.....	ZC	2
	6-22008-4								Strap Assembly.....	HQ	2
31	3-20139-16								Strap Assembly.....	ZC	2
	6-22008-10								Strap Assembly.....	HQ	2
32	3-20139-15								Strap Assembly.....	ZC	16
	6-22008-8								Strap Assembly.....	HQ	16
	15-7577								Installation—Oxygen cylinder bracket (see fig. 71).....	All	NP
33	15-7577-1								Bracket Assembly.....	All	2
34	15-7577-3								Bracket.....	All	1
35	3-20139-15								Strap Assembly.....	ZC	2
	6-22008-8								Strap Assembly.....	HQ	2
	15-7588-1								Installation—Oxygen cylinder cradle (see fig. 73).....	All	NP
	15-7588-2								Installation—Oxygen cylinder cradle (see fig. 73).....	All	NP
36	15-7588-3								Cradle Assembly.....	All	2
37	15-7588-5								Cradle.....	All	1
38	3-20139-14								Strap Assembly.....	ZC	2
	6-22008-6								Strap Assembly.....	HQ	2

FUSELAGE

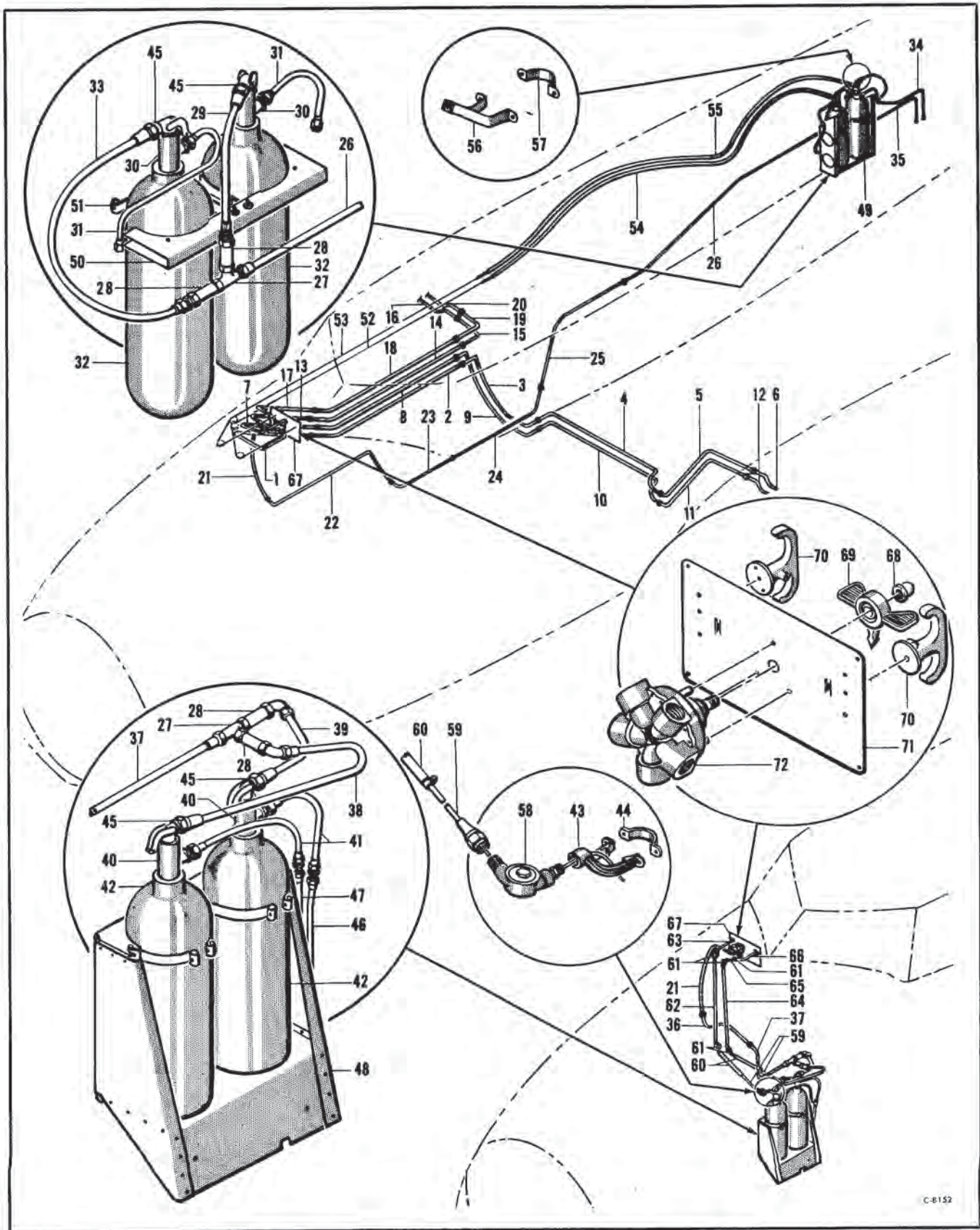


Figure 135—Engine Fire Extinguisher and Control

AN 01-20EG-4

FUSELAGE

Engine Fire Extinguisher and Control

Figure & Index No.	Part Number	1	2	3	4	5	6	7	Nomenclature	Usage Code	Units Per Assy.
	65-5679								Engine Fire Extinguisher and Control		
135-1	65-5679-571								Installation—Engine fire extinguisher	LI	NP
2	65-5679-562								Tube Assembly (to engine no. 1)	LI	1
3	65-5679-573								Tube Assembly (to engine no. 1)	LI	1
	65-5679-598								Tube Assembly (to engine no. 1)	KI	1
4	65-5679-574								Tube Assembly (to engine no. 1)	KI	1
	65-5679-599								Tube Assembly (to engine no. 1)	KI	1
5	65-5679-557								Tube Assembly (to engine no. 1)	KI	1
6	65-5679-558								Tube Assembly (to engine no. 1) (see fig. 51)	LI	Ref
7	65-5679-554								Tube Assembly (to engine no. 2)	LI	1
8	65-5679-563								Tube Assembly (to engine no. 2)	LI	1
9	65-5679-564								Tube Assembly (to engine no. 2)	KI	1
	65-5679-596								Tube Assembly (to engine no. 2)	KI	1
10	65-5679-565								Tube Assembly (to engine no. 2)	KI	1
	65-5679-597								Tube Assembly (to engine no. 2)	KI	1
11	65-5679-556								Tube Assembly (to engine no. 2)	LI	1
12	65-5679-559								Tube Assembly (to engine no. 2) (see fig. 51)	LI	Ref
13	65-5679-592								Tube Assembly (to engine no. 3)	LI	1
14	65-5679-560								Tube Assembly (to engine no. 3)	LI	1
15	65-5679-567								Tube Assembly (to engine no. 3)	LI	1
16	65-5679-569								Tube Assembly (to engine no. 3) (see fig. 51)	LI	Ref
17	65-5679-540								Tube Assembly (to engine no. 4)	LI	1
18	65-5679-561								Tube Assembly (to engine no. 4)	LI	1
19	65-5679-568								Tube Assembly (to engine no. 4)	LI	1
20	65-5679-570								Tube Assembly (to engine no. 4) (see fig. 51)	LI	Ref
21	65-5679-537								Tube Assembly (from cylinder)	LI	1
22	65-5679-544								Tube Assembly (from cylinder)	KI	1
23	65-5679-542								Tube Assembly (from cylinder)	KI	1
24	65-5679-535								Tube Assembly (from cylinder)	KI	1
25	65-5679-532								Tube Assembly (from cylinder)	KI	1
26	65-5679-402								Tube Assembly (from cylinder)	KI	1
27	8-6-ERST-D								Tee (Parker)	LI	1
28	20122								Valve Assembly—Check (Walter Kidde Co.) GFE	LI	2
29	65-5679-400								Tube Assembly	KI	1
	65-5679-467								Cylinder Assembly—Extinguisher	KI	2
30	38B6205-1								Valve Assembly—Carbon dioxide GFE	LI	1
31	37A5751								Tube Assembly—Carbon dioxide valve safety outlet flexible GFE	LI	1
32	60870								Cylinder Assembly (Walter Kidde Co.) GFE	LI	1
33	65-5679-401								Tube Assembly	KI	1
34	65-5679-521								Tube Assembly (drain)	KI	1
35	65-5679-520								Tube Assembly (drain)	KI	1
36	65-5679-589								Tube Assembly (from cylinder)	KI	1
37	65-5679-588								Tube Assembly (from cylinder)	KI	1
38	65-5679-587								Tube Assembly (from cylinder)	KI	1
39	65-5679-590								Tube Assembly (from cylinder)	KI	1
	65-5679-595								Cylinder Assembly—Extinguisher	KI	1
40	38B6205-1								Valve Assembly—Carbon dioxide GFE	LI	2
41	37A5751								Tube Assembly—Carbon dioxide valve safety outlet flexible GFE	LI	1
42	60870								Cylinder Assembly (Walter Kidde Co.) GFE	LI	1
43	38A3408								Bracket—Carbon dioxide valve control cable GFE	LI	1
44	37A1736								Clamp—Carbon dioxide valve control cable (bracket) GFE	KI	2
45	37A6330								Sleeve—Carbon dioxide valve outlet union GFE	KI	2
46	65-5679-593								Tube Assembly (drain)	LI	1
47	65-5679-594								Tube Assembly (drain)	KI	1
	15-14623								Installation—Engine fire extinguisher bracket	KI	1
48	15-14623-1								Bracket Assembly—Engine fire extinguisher	KI	NP
49	55-5785-406								Support Assembly—Cylinder (see fig. 74)	KI	1
50	6-8134								Bracket Assembly—Carbon dioxide cylinder	KI	Ref
51	41-9916								Strap Assembly—Bracket	KI	1
	65-5715								Installation—Fire extinguisher control system	KI	2
52	65-5715-501								Control Assembly—LH handle	KI	NP
53	65-5715-502								Control Assembly—RH handle	KI	1
54	65-5715-507								Cable Assembly (LH)	KI	1
55	65-5715-508								Cable Assembly (RH)	KI	1
	3-10758								Support Assembly—Carbon dioxide bottle control	KI	2
56	3-10758-1								Bracket Assembly—Control	KI	1
57	3-10758-2								Clamp—Control	KI	1
	15-14655								Installation—Fire extinguisher control	KI	1
58	18174								Pulley Assembly (Walter Kidde Co.)	KI	NP
59	15-14655-6								Tube Assembly—Fire extinguisher	KI	2
60	3-27139								Tube Assembly—Fire extinguisher	KI	2
61	17269								Pulley Assembly (Walter Kidde Co.)	KI	5
62	15-14655-4								Tube Assembly—Fire extinguisher	KI	1
63	15-14655-1								Tube Assembly—Fire extinguisher	KI	1
64	15-14655-5								Tube Assembly—Fire extinguisher	KI	1
65	15-14655-3								Tube Assembly—Fire extinguisher	KI	1
66	15-14655-2								Tube Assembly—Fire extinguisher	KI	1
67	2CD5016								Panel Assembly—Control (American LaFrance-Foamite Corp.) GFE (see fig. 117)	LI	1
68	2CD2948								Nut—Control handle lock (American LaFrance-Foamite Corp.) GFE	LI	Ref
69	2CD2868								Handle—Control (American LaFrance-Foamite Corp.) GFE	LI	1
70	2CD5033								Handle Assembly—Pull (American LaFrance-Foamite Corp.) GFE	LI	2
71	2CD2934								Plate—Control panel name (American LaFrance-Foamite Corp.) GFE	LI	1
72	2CD5038								Valve—Selector (American LaFrance-Foamite Corp.) GFE	LI	1

FUSELAGE

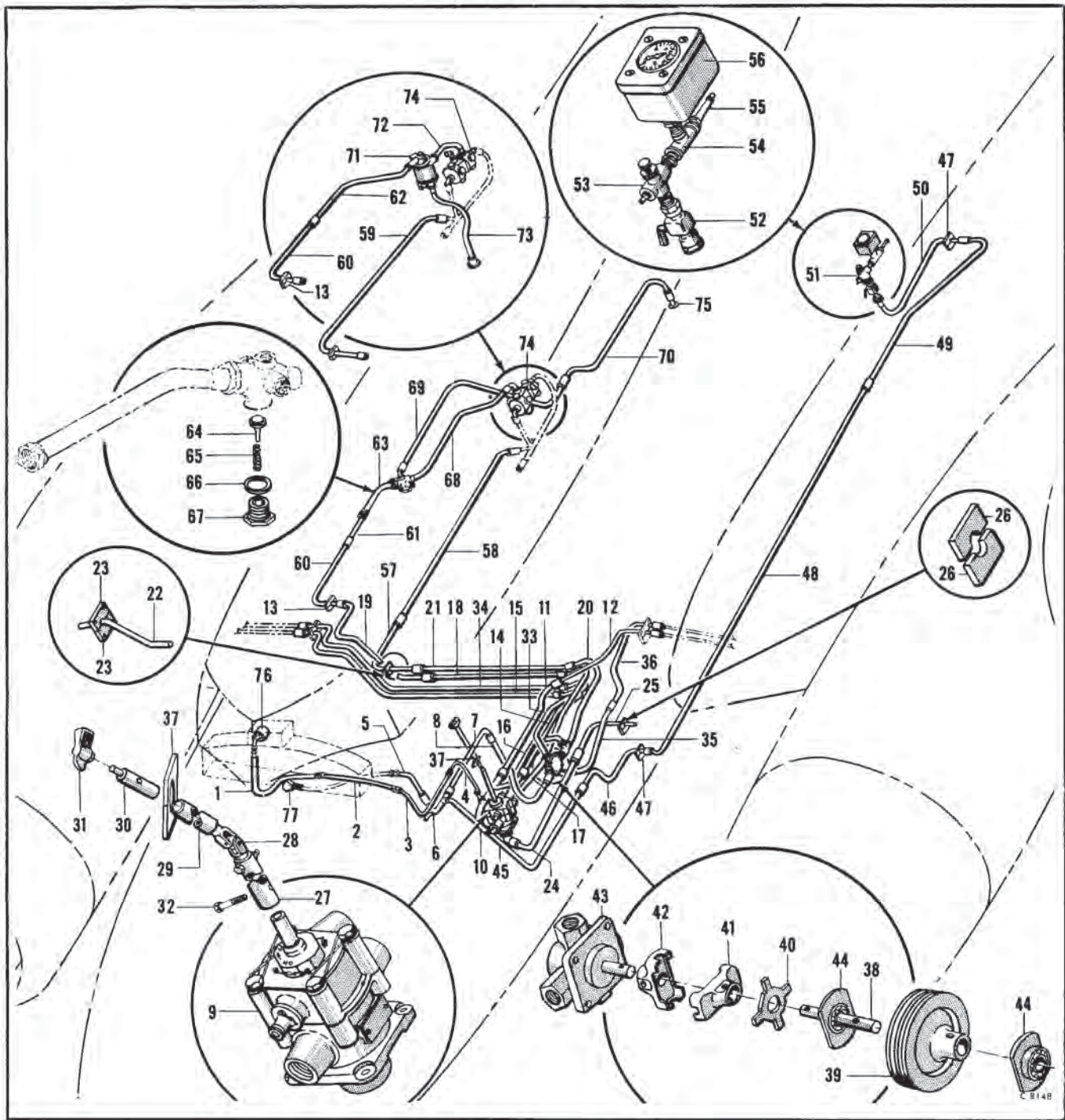


Figure 136—Vacuum System

Vacuum System

Figure & Index No.	Part Number	1	2	3	4	5	6	7	Nomenclature	Usage Code	Units Per Assy.
	65-5594								Vacuum System	All	NP
	15-7515								Installation—Vacuum system tubing	All	NP
136-1	15-7515-35								Installation—De-icer and vacuum valve	All	1
2	15-7515-34								Tube Assembly	QB	1
	15-7515-44								Tube Assembly	XM	1
3	15-7515-16								Tube Assembly	QB	1
	15-7515-52								Tube Assembly	XM	1

AN 01-20EG-4

FUSELAGE

Vacuum System

Figure & Index No.	Part Number	1 2 3 4 5 6 7	Nomenclature	Usage Code	Units Per Assy.
136-4	15-7515-43		Tube Assembly	XM	1
5	15-7515-15		Tube Assembly	AI	1
6	15-7515-17		Tube Assembly	AI	1
7	15-7515-29		Tube Assembly	AI	1
8	15-7515-1		Tube Assembly	AI	1
9	15-7515-40		Tube Assembly	AI	1
10	15-7515-36		Valve Assembly	AI	1
11	577-2		Valve Assembly—De-icer (Eclipse) (see T.O. 03-35B-4)	AI	1
12	6-9392		Manifold Assembly—Vacuum system	AI	1
13	15-7515-14		Tube Assembly	AI	1
14	15-7515-24		Tube Assembly	AI	1
15	1-27613		Fairlead—Vacuum and de-icer (RH)	AI	2
16	15-7515-12		Tube Assembly	AI	1
17	15-7515-13		Tube Assembly	QB	1
18	15-7515-48		Tube Assembly	XM	1
19	15-7515-50		Tube Assembly	XM	1
20	15-7515-38		Tube Assembly	AI	1
21	15-7515-31		Tube Assembly	AI	1
22	15-7515-32		Tube Assembly	QB	1
23	15-7515-46		Tube Assembly	XM	1
24	15-7515-11		Tube Assembly	QB	1
25	15-7515-45		Tube Assembly	XM	1
26	15-7515-30		Tube Assembly	AI	1
27	15-7515-33		Tube Assembly	QB	1
28	15-7515-47		Tube Assembly	XM	1
29	15-7515-53		Tube Assembly	XM	1
30	41-9290-4		Fairlead (RH)	AI	2
31	15-7515-39		Tube Assembly	AI	1
32	15-7515-19		Tube Assembly	AI	1
33	1-19001-13		Fairlead Assembly—1 hole (LH)	AI	1
34	15-7515-37		Shaft Assembly	AI	1
35	51-205-2		Shaft—De-icer valve control	AI	1
36	270B8		Joint—Universal (Apex)	AI	1
37	51-205-1		Shaft—De-icer valve control	AI	1
38	41-8959-1		Shaft—De-icer valve control	AI	1
39	066654		Handle	AI	1
40	AN3-10A		Bolt—Aircraft	AI	4
41	15-7515-42		Tube Assembly	AI	1
42	15-7515-6		Tube Assembly	QB	1
43	15-7515-51		Tube Assembly	XM	1
44	15-7515-49		Tube Assembly	XM	1
45	15-7515-3		Tube Assembly	AI	1
46	15-7515-4		Tube Assembly	AI	1
47	41-7804-1		Fairlead—Valve shaft	AI	1
48	15-7579		Installation—Vacuum selector valve support	AI	NP
49	15-7579-1		Support Assembly	AI	1
50	41-4023-3-4		Shaft	AI	1
51	1-18246		Drum	AI	1
52	41-4234		Driver—Coupling yoke	AI	1
53	41-4231		Yoke—Fuel valve coupling	AI	1
54	41-4231-3		Yoke—Fuel valve coupling	AI	1
55	B2-1741-1		Valve—Selector (Parker) (see fig. 137)	AI	1
56	15-7579-13		Bracket Assembly	AI	1
57	15-7579-3		Plate Assembly	AI	1
58	15-7579-4		Plate Assembly	AI	1
59	1-16656		Housing Assembly—Bearing (used on 15-7579-3 and 15-7579-4)	EA	1
60	1-29922		Bearing—Phenolic (used on 15-7579-3 and -4)	QH	1
61	65-5594-500		Tube Assembly	AI	1
62	65-5594-501		Tube Assembly	AI	1
63	41-9290-3		Fairlead	AI	4
64	65-5594-502		Tube Assembly	QB	1
65	65-5594-606		Tube Assembly	XM	1
66	65-5594-503		Tube Assembly	QB	1
67	65-5594-607		Tube Assembly	XM	1
68	65-5594-601		Tube Assembly	AI	1
69	9-5644		Installation—Camera control gage	AI	NP
70	9-5644-3		Gage Assembly	AI	1
71	765-11		Cock—Shut off	AI	1
72	38A6133		Valve Assembly—Vacuum	AI	1
73	AN917-1		Fitting—Pipe	AI	1
74	AN840-4		Adapter—Hose to pipe thread	AI	1
75	AN5771-5A		Gage—Single pressure GFE	AI	1
76	65-5594-599		Tube Assembly	QB	1
77	65-5594-600		Tube Assembly	QB	1
78	65-5594-604		Tube Assembly (replaces 65-5594-599 and 65-5594-600)	XM	1
79	65-5594-544		Tube Assembly	AI	1
80	65-5594-520		Tube Assembly	BC	1
81	65-5594-619		Tube Assembly	NO	1
82	46-6684-405		Separator Assembly—Oil	BC	1
83	41-9962		Valve—Oil separator	BC	1
84	41-4971		Spring—Compression	BC	1
85	46-6684-8		Washer	BC	1
86	41-4972		Cap—Oil separator	BC	1
87	65-5594-571		Tube Assembly	BC	1
88	65-5594-597		Tube Assembly	OA	1
89	65-5594-572		Tube Assembly	XI	1
90	65-5594-608		Tube Assembly	SM	1
91	65-5594-598		Tube Assembly	OA	1
92	65-5594-523		Tube Assembly	XI	1
93	65-5594-609		Tube Assembly	SM	1
94	9-8965		Installation—De-icer pressure separator	NO	NP
95	9-8965-1		Separator Assembly	NO	1
96	E120386		Separator Assy—Oil (Eclipse) (see T.O. 03-1-5)	NO	1
97	65-5594-620		Tube Assembly	NO	1
98	65-5594-621		Tube Assembly	NO	1
99	574-2		Valve Assembly—De-icer distributor (Eclipse) (see T.O. 03-35B4) (see fig. 139)	AI	Ref
100	1-18757		Fitting—Tube end	BC	1
101	AN5771-3A		Gage—Single pressure (de-icer) GFE (see fig. 109)	NO	Ref
102	3-13662		Manifold (see fig. 107)	AI	Ref

Section I I
Group Assembly Parts List

AN 01-20EG-4

FUSELAGE

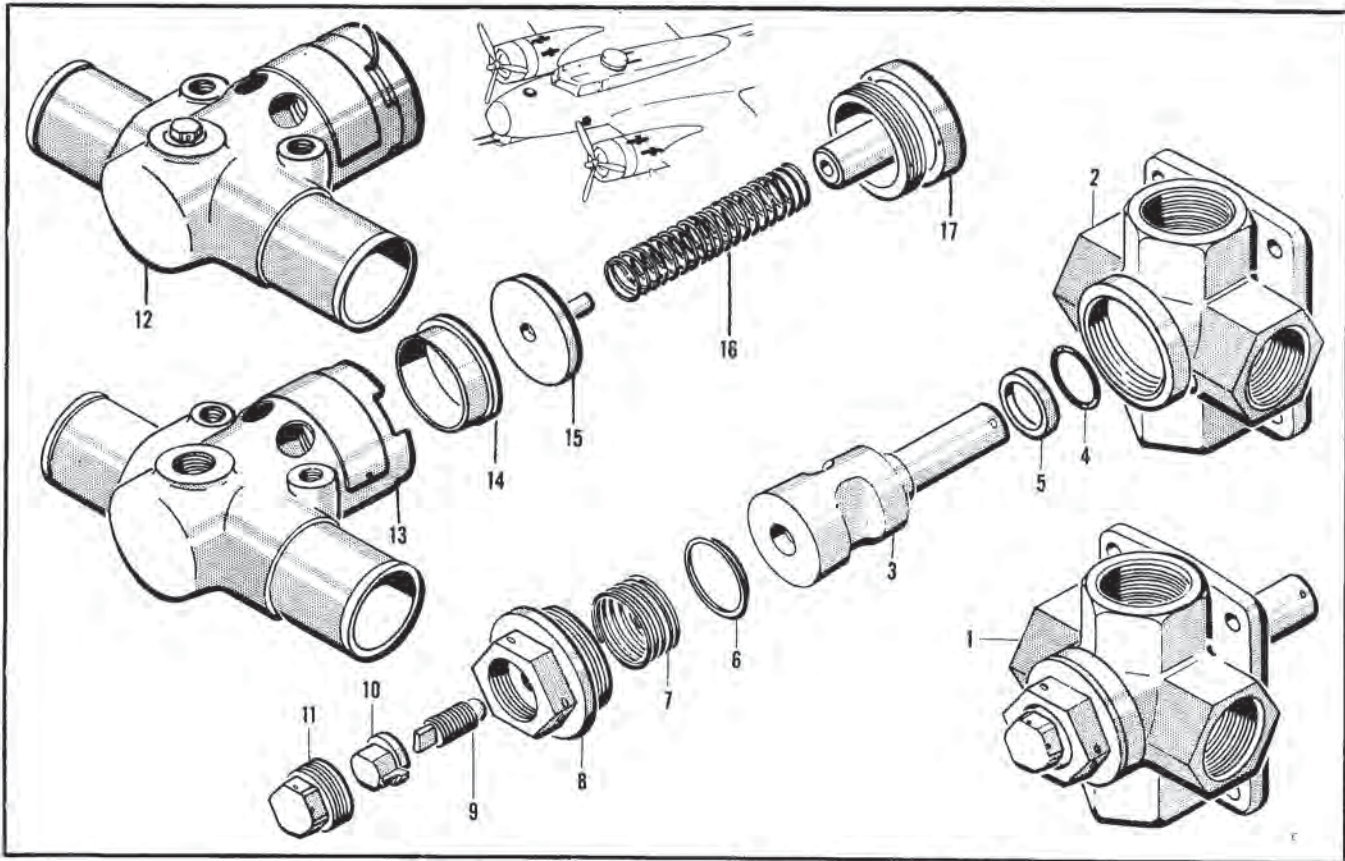


Figure 137—Vacuum Selector and Safety Valve Assemblies

Vacuum Selector and Safety Valve Assemblies

Figure & Index No.	Part Number	1 2 3 4 5 6 7	Nomenclature	Usage Code	Units Per Assy.
137-1	B2-1741-1		Vacuum Selector and Safety Valve Assemblies.....		
	11-642-85		Valve Assembly—Vacuum selector (Parker) (see Fig. 136).....	All	Ref
	11-1638-11-4D3		Body Assembly.....	All	1
2	11-1140-20SS10		Body.....	All	1
3	11-1237-6SS2		Plug.....	All	1
	4-1743-2P26		Insert—Plug.....	All	1
4	4-1743-3D1		Ring—Sealing.....	All	1
5	12-638-2B18		Retainer—Packing.....	All	1
6	8-441-15SS8		Follower—Spring.....	All	1
7	9-3038-9D1		Spring.....	All	1
8	9-3038-6SS10		Cap.....	All	1
9	9-3038-7D1		Screw—Adjusting.....	All	1
10	9-3038-8D1		Plate—Lock.....	All	1
11	217HA		Cap—Sealing.....	All	1
12	217-15		Valve Assembly—Safety (Pesco) (see Fig. 52).....	All	Ref
13	217-3C		Body.....	All	1
14	217-11		Seat—Valve.....	All	1
15	217-5J		Valve and Stem Assembly.....	All	1
16	217-16		Spring.....	All	1
17			Guide—Valve.....	All	1

FUSELAGE

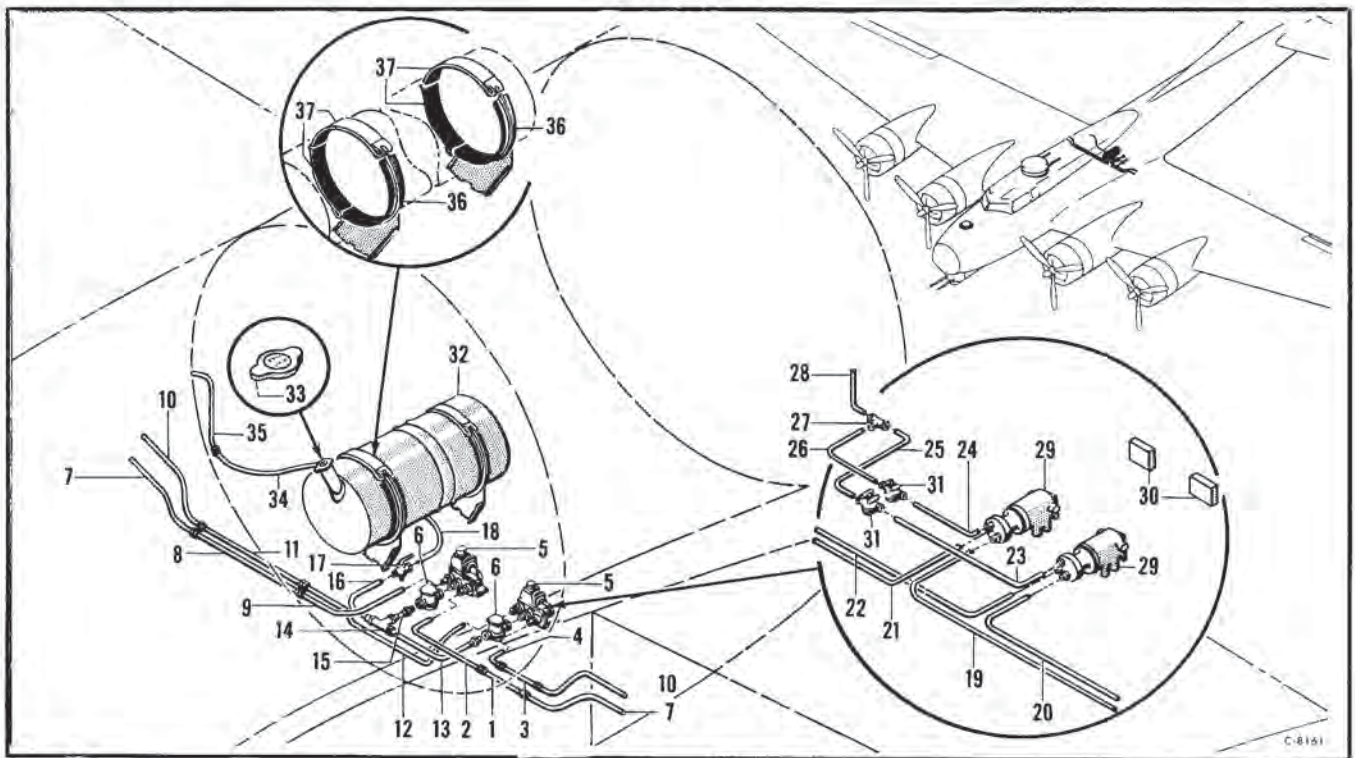


Figure 138—Propeller Anti-icer

Propeller Anti-icer

Figure & Index No.	Part Number	1 2 3 4 5 6 7	Nomenclature	Usage Code	Units Per Assy.
			Propeller Anti-icer		
			Installation—Propeller anti-icer		
138-1	65-5660		Installation—Propeller anti-icer	AIH	NP
2	65-5660-524		Tube Assembly (to engine no. 1)	AIH	1
3	65-5660-502		Tube Assembly (to engine no. 1)	CB	1
4	65-5660-533		Tube Assembly (to engine no. 2)	AIH	1
5	65-5660-501		Tube Assembly (to engine no. 2)	CB	1
6	744-6		Pump Assembly—Propeller anti-icer (Eclipse) (see T.O. 03-1-5)	CB	2
7	712-1A		Filter Assembly—Propeller anti-icer (Eclipse)	CB	2
8	65-5660-49		Tube Assembly (to engine no. 1 and 4) (see fig. 49)	AIH	Ref
9	65-5660-29		Tube Assembly (to engine no. 4)	AIH	1
10	65-5660-504		Tube Assembly (to engine no. 4)	CB	1
11	65-5660-51		Tube Assembly (to engine no. 2 and 3) (see fig. 49)	AIH	Ref
12	65-5660-522		Tube Assembly (to engine no. 3)	AIH	1
13	65-5660-503		Tube Assembly (to engine no. 3)	CB	1
14	65-5660-409		Tube Assembly (tank to filter)	CB	1
15	811JT6D		Tee	CB	1
16	65-5660-414		Tube Assembly (tank to filter)	CB	1
17	65-5660-521		Tube Assembly (tank to filter)	CB	1
18	765-2		Cock—Drain	CB	1
19	65-5660-536		Tube Assembly (tank to filter)	CB	1
20	65-5660-554		Tube Assembly (to engine no. 1)	IL	1
21	65-5660-555		Tube Assembly (to engine no. 2)	IL	1
22	65-5660-561		Tube Assembly (to engine no. 3)	IL	1
23	65-5660-562		Tube Assembly (to engine no. 4)	IL	1
24	65-5660-556		Tube Assembly (pump to filter)	IL	1
25	65-5660-557		Tube Assembly (pump to filter)	IL	1
26	65-5660-558		Tube Assembly (tank to filter)	IL	1
27	65-5660-559		Tube Assembly (tank to filter)	IL	1
28	811JT4D		Tee	IL	1
29	65-5660-560		Tube Assembly (tank to filter)	IL	1
	9-6719		Installation—Propeller anti-icer pump	IL	NP
	9-6719-1		Pump Assembly—Anti-icer	IL	1
	AN6100-1		Pump Assembly—Fluid metering (propeller anti-icer)	IL	2
	CA275X		Capacitor (P. R. Mallory)	NO	2
	6-16384		Installation—Propeller anti-icer filter	IL	NP
	6-16384-1		Filter Assembly—Propeller anti-icer	IL	2
	AN6101-1		Filter Assembly—Fluid metering pump (anti-icer)	IL	1
	64-1332-504		Filter Assembly—Propeller anti-icer	IL	1
	1-22655-2		Tank Assembly—Propeller anti-icing	AIH	1
	42B3581		Cap Assembly—Tank filler	AIH	1
	65-5660-531		Cap—Tank	AIH	1
	65-5660-529		Tube Assembly—Vent	AIH	1
	6-8143		Tube Assembly—Vent	AIH	1
	6-8143-7		Installation—Anti-icing tank cradle (see fig. 66)	AIH	NP
	3-11991		Cradle Assembly—Anti-icing tank	AIH	2
			Strap Assembly—Anti-icing tank	AIH	4

FUSELAGE

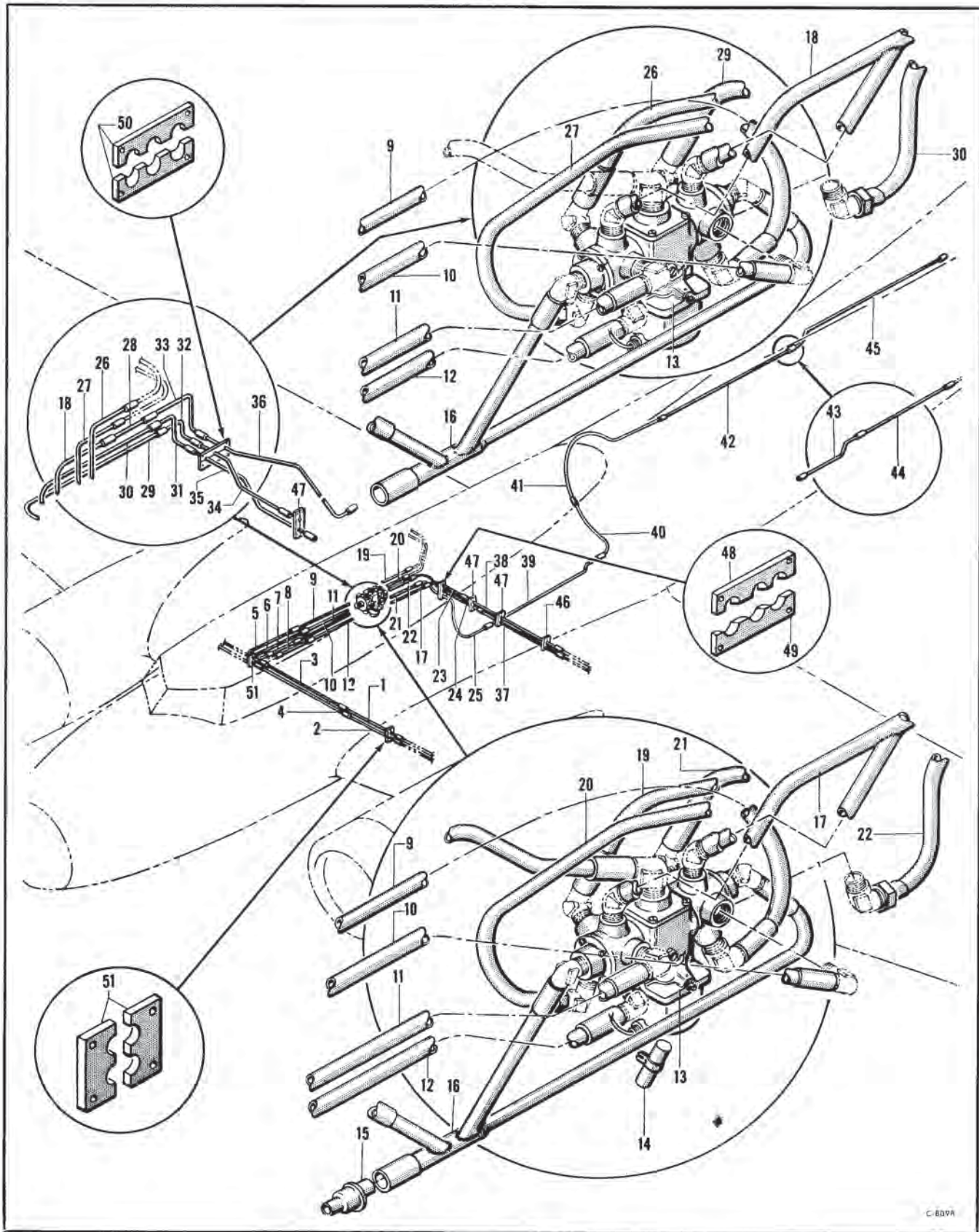


Figure 139—Fuselage De-icer System

AN 01-20EG-4

FUSELAGE

Fuselage De-icer System

Figure & Index No.	Part Number	1 2 3 4 5 6 7	Nomenclature	Usage Code	Units Per Assy.
	15-7600		Fuselage De-icer System		
			Installation—Wing and tail de-icer	All	NP
139-1	15-7600-189		Tube	All	1
2	15-7600-187		Tube	All	1
3	15-7600-188		Tube	All	1
4	15-7600-186		Tube	All	1
5	15-7600-132		Tube	All	1
6	15-7600-125		Tube	All	1
7	15-7600-144		Tube	All	1
8	15-7600-139		Tube	All	1
9	15-7600-131		Tube	All	1
10	15-7600-193		Tube	All	1
11	15-7600-192		Tube	All	1
12	15-7600-138		Tube	All	1
	49-3133		Installation—De-icer distributor valve	All	NP
	49-3133-420		Unit Assembly	All	1
	574-2		Valve Assembly—De-icer distributor (Eclipse) (see T.O. 03-35B-4)	All	1
13	DL445		Filter (P. R. Mallory & Co.)	All	1
14	DL445		Filter (P. R. Mallory & Co.)	All	1
15	557-5		Valve—Check (Eclipse)	All	1
16	49-3133-414		Manifold Assembly	All	1
17	49-3133-417		Manifold Assembly	QB	1
18	49-3133-422		Manifold Assembly	XM	1
19	15-7600-191		Tube	QB	1
20	15-7600-89		Tube	QB	1
21	15-7600-62		Tube	QB	1
22	15-7600-190		Tube	QB	1
23	15-7600-74		Tube	QB	1
24	15-7600-61		Tube	QB	1
25	15-7600-90		Tube	QB	1
26	15-7600-229		Tube	XM	1
27	15-7600-231		Tube	XM	1
28	15-7600-255		Tube	XM	1
29	15-7600-256		Tube	XM	1
30	15-7600-250		Tube	XM	1
31	15-7600-257		Tube	XM	1
32	15-7600-258		Tube	XM	1
33	15-7600-253		Tube	XM	1
34	15-7600-221		Tube	XM	1
35	15-7600-220		Tube	XM	1
36	15-7600-222		Tube	XM	1
37	15-7600-73		Tube	QB	1
	15-7600-224		Tube	XM	1
38	15-7600-60		Tube	QB	1
	15-7600-223		Tube	XM	1
39	15-7600-91		Tube	QB	1
	15-7600-259		Tube	XM	1
40	15-7600-92		Tube	All	1
41	15-7600-93		Tube	All	1
42	15-7600-94		Tube	QB	1
43	15-7600-248		Tube	XM	1
44	15-7600-246		Tube	XM	1
45	15-7600-95		Tube	QB	1
	15-7600-263		Tube	XM	1
46	51-1095		Fairlead Assembly—1 in. diameter 2 tube	All	1
47	51-1094		Fairlead—1 in. diameter 2 tube	All	4
48	51-1096-1		Fairlead—1 in. diameter 3 tube	QB	1
49	51-1096-2		Fairlead—1 in. diameter 3 tube	QB	1
50	3-22492		Support Assembly—Tubing (2 pieces)	XM	1
51	41-8565		Fairlead Assembly—5-8 in. diameter 2 tube (2 pieces)	All	2

FUSELAGE

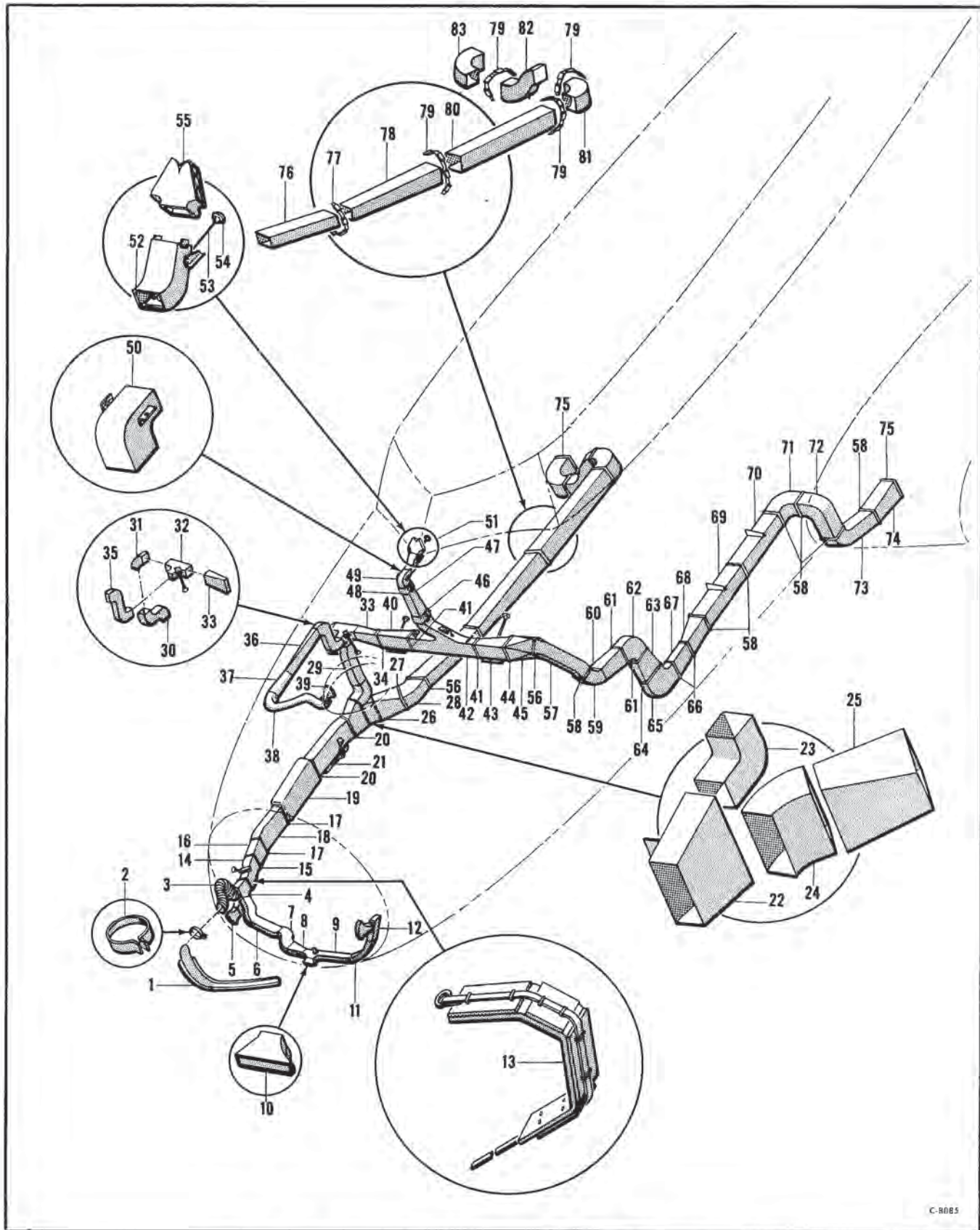


Figure 140—Forward Fuselage Heating and De-icing System

C-8085

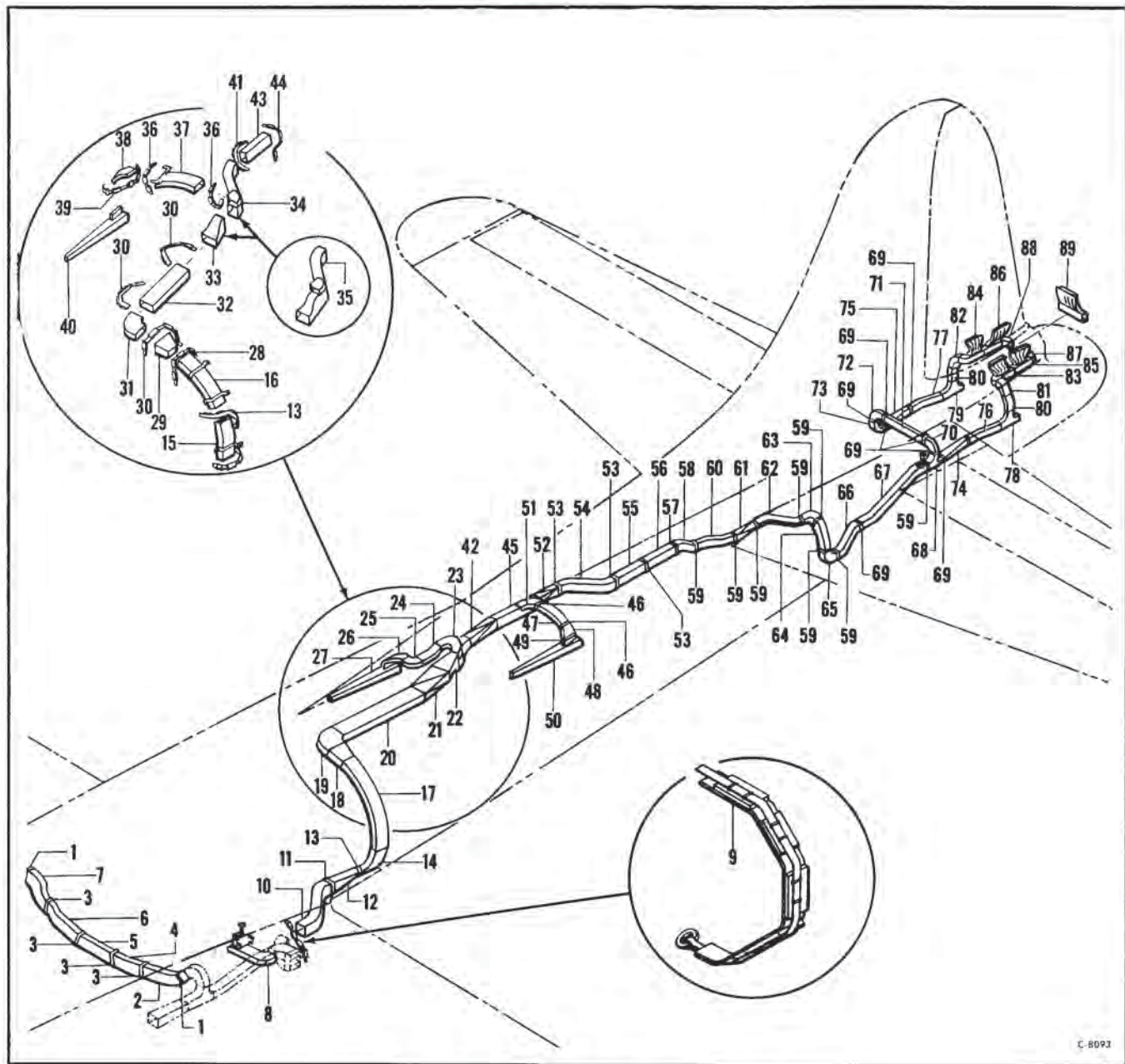
AN 01-20EG-4

FUSELAGE

Forward Fuselage Heating and De-icing System

Figure & Index No.	Part Number	1	2	3	4	5	6	7	Nomenclature	Usage Code	Units Per Assy.
	15-12723								Forward Fuselage Heating and De-icing System		
	15-12971								Installation—Heating and de-icing system	XM	NP
	15-12972								Installation—Nose defroster duct	XM	NP
	15-12972-8								Installation—Nose defroster outlet	RM	NP
140-1	15-12972-4								Installation—Nose defroster outlet	IO	NP
	15-12972-9								Duct Assembly—Nose defroster outlet	RM	1
2	21-3339-106								Duct Assembly—Nose defroster outlet	IO	1
3	3-23507								Clamp—Round loop type	XM	1
4	6-14428-9								Hose Assembly—Air duct	XM	1
5	3-23504								Duct Assembly—Heat and vent	XM	1
6	6-16326-5								Outlet Assembly—Heat and vent	XM	1
7	6-14420								Duct Assembly—Heat and vent	XM	1
8	3-23470								Elbow Assembly—Heat and vent	XM	1
9	6-14433-14								Transition—Heat and vent	XM	1
10	3-23509								Tee Assembly—Heat and vent	XM	1
11	6-14419-9								Duct Assembly—Heat and vent	XM	1
12	6-14421								Elbow Assembly—Heat and vent	XM	1
13	15-17138-7								Duct Assembly—Nose defroster	XM	1
	15-12779								Clamp Assembly—Duct joint	XP	1
14	9-7093								Installation—Heat and vent duct	XM	NP
15	15-17138-7								Outlet Assembly—Heat and vent	XM	1
16	3-23410								Clamp Assembly—Duct joint	XP	1
17	15-17138-8								Transition Assembly	XM	1
18	6-14370								Clamp Assembly—Duct joint	XP	2
19	6-17024								Duct Assembly—Navigator	XM	1
20	15-17138-9								Transition Assembly—Heat and vent	XM	1
21	9-7092								Clamp Assembly—Duct joint	XP	2
22	6-14460								Outlet Assembly—Heat and vent	XM	1
23	3-23549								Transition Assembly—RH cabin air	QM	1
24	6-14459								Elbow Assembly—Cabin air	QM	1
25	3-23543								Elbow Assembly—Station 2E	QM	1
26	15-12779-2								Elbow Assembly—RH cabin	QM	1
27	15-17138-14								Transition—RH cabin air	QM	1
28	6-14458								Duct Assembly—Weld	NO	1
29	3-23550								Clamp Assembly—Duct joint	XP	1
30	6-14461								Elbow Assembly—RH cabin air	XM	1
31	3-23551								Duct Assembly—Station 2E	XM	1
32	9-7553								Elbow Assembly—Cabin heat	XM	1
33	3-26013								Elbow Assembly—Station 2D	XM	1
34	15-17138-2								Tee Assembly—Astrodome heat	XM	1
	15-13856								Transition—Heat and vent	XM	1
35	6-16967								Clamp Assembly—Duct joint	XP	1
36	9-7556								Installation—Astrodome duct	XM	NP
37	3-23846-1								Duct Assembly—Heat and vent	XM	1
38	3-20213-2								Transition Assembly	XM	1
39	6-12875-3								Hose Assembly—Air duct	XM	1
40	15-12774								Outlet Assembly—Defroster	XM	1
41	9-7084-1								Installation—Pilots heat duct	XM	NP
42	15-17138-7								Outlet Assembly—Pilots heat	XM	1
43	9-7380								Clamp Assembly—Duct joint	XP	1
44	9-7084								Tee Assembly—Pilots defroster	XM	1
45	15-17138-14								Outlet Assembly—Pilots heat	XM	1
	6-14374								Clamp Assembly—Duct joint	XM	1
	9-7381								Transition—Pilots heat	XM	1
46	3-24503-1								Installation—Pilots defroster duct	XM	NP
47	3-24487								Clamp Assembly—Defroster duct	XM	1
48	3-24503								Transition—Heat and vent	XM	1
49	41-8395								Clamp Assembly—Defroster duct	XM	1
50	41-8395-6								Elbow Assembly—Defroster duct	VM	1
	6-10474								Elbow Assembly—Defroster duct	CQ	1
51	6-10474-2								Installation—Pilots defroster	XM	NP
	6-9481-12								Duct Assembly—Pilots defroster	XM	1
52	6-9481-9								Elbow Assembly	XM	1
53	1-19655-1								Elbow Assembly	XM	1
54	1-8579								Rod	XM	1
55	6-10430								Knob	XM	1
56	15-17138-14								Outlet	XM	1
	15-12782								Clamp Assembly—Duct joint	XP	2
57	9-7096								Installation—Duct station 2D-4 LH	XM	NP
58	15-17138-14								Elbow Assembly—Heat and vent	XM	1
59	3-22484								Clamp Assembly—Duct joint	XP	8
60	6-14375								Elbow Assembly—Heat and vent	XM	1
61	15-17138-11								Transition Assembly—Heat and vent	XM	1
62	6-14376								Clamp Assembly—Duct joint	XP	2
63	6-14377								Elbow Assembly—Heat and vent	XM	1
64	15-17138-5								Transition Assembly—Heat and vent	XM	1
65	6-14378								Clamp Assembly—Duct joint	XP	1
66	15-17138-4								Elbow Assembly—Heat and vent	XM	1
67	3-11426								Clamp Assembly—Duct joint	XP	2
68	3-23423-5								Duct Assembly—Heat and vent	XM	1
69	3-23422-9								Transition Assembly—Heat and vent	XM	1
70	3-23422-8								Duct Assembly—Heat and vent	XM	1
71	6-14379-12								Duct Assembly—Heat and vent	XM	1
72	6-14480								Elbow Assembly—Heat and vent	XM	1
73	6-14306								Elbow Assembly—Heat and vent	XM	1
74	6-14380								Elbow Assembly—Heat and vent	XM	1
75	15-17138-15								Transition Assembly—Heat and vent	XM	1
	15-12947								Clamp Assembly—Duct joint	XP	2
76	6-14452-1								Installation—Duct Station 4-3 RH	XM	NP
77	15-17138-14								Duct—RH cabin air	XM	1
78	6-14453								Clamp Assembly—Duct joint	XP	1
79	15-17138-15								Transition Assembly—RH cabin air	XM	1
80	6-14454								Clamp Assembly—Duct joint	XP	4
81	6-14455								Duct Assembly—RH cabin air	XM	1
82	6-14456								Elbow Assembly—RH cabin air	XM	1
83	6-14457								"S" Assembly—RH cabin air	XM	1
									Elbow Assembly—RH cabin air	XM	1

FUSELAGE



C-8093

Figure 141—Aft Fuselage Heating and De-icing System

Aft Fuselage Heating and De-icing System

Figure & Index No.	Part Number	1	2	3	4	5	6	7	Nomenclature	Usage Code	Units Per Assy.
141-1	15-12723								Aft Fuselage Heating and De-icing System		NP
	15-17138-8								Installation—Heating and de-icing system	XM	2
	15-12711								Clamp Assembly—Duct joint	XP	1
2	6-14270-10								Installation—Equalizer duct	XM	NP
3	15-17138-8								Duct Assembly—Equalizer	XM	1
4	6-14270-9								Clamp Assembly—Duct joint	XP	4
5	6-14309								Duct Assembly—Equalizer	XM	1
6	6-14343								Duct Assembly—Equalizer	XM	1
7	6-14344								Duct Assembly—Equalizer	XM	1
	9-7264								Elbow Assembly—Equalizer	XM	1
8	9-7264-1								Installation—Radio compartment outlet	XM	NP
9	15-17138-15								Outlet Assembly	XM	1
	15-13208								Clamp Assembly—Duct joint	XP	1
10	9-7374								Installation—Heat and vent duct	XM	NP
11	15-17138-15								Elbow Assembly—Heat and vent	XM	1
12	6-16277								Clamp Assembly—Duct joint	XP	1
									Transition Assembly—Heat and vent	XM	1

AN 01-20EG-4

FUSELAGE

Aft Fuselage Heating and De-icing System

Figure & Index No.	Part Number	1 2 3 4 5 6 7	Nomenclature	Usage Code	Units	
					Per	Assy.
141-13	15-17138-12		Clamp Assembly—Duct joint	XP		3
14	6-16276		Elbow Assembly—Heat and vent	XM		1
15	9-7375-9		Duct Assembly—Heat and vent	CO		1
16	9-7375-14		Duct Assembly—Heat and vent	CO		1
	15-16185		Installation—Heat and vent duct	PM		NP
17	15-16185-11		Duct Assembly	PM		1
18	15-16185-1		Transition Assembly	PM		1
19	6-16339		Elbow Assembly—Heat and vent	PM		1
20	15-16185-2		Duct Assembly	PM		1
21	6-16346		Transition Assembly—Heat and vent	PM		1
22	15-16185-7		Transition Assembly	PM		1
23	9-6715		Elbow Assembly—Heat and vent	PM		1
24	6-16340		Duct Assembly—RH waist gun	PM		1
25	3-24636		Duct Assembly—RH waist gun	PM		1
26	6-16341		Duct Assembly—RH waist gun	PM		1
27	14-3695		Defroster Assembly—RH waist gun	PM		1
28	15-17138-12		Clamp Assembly—Duct joint	XP		1
	15-13083		Installation—Heat and vent duct	CO		NP
29	6-16342-6		Transition Assembly—Heat and vent	CO		1
30	15-17138-6		Clamp Assembly—Duct joint	XP		3
31	6-16339		Elbow Assembly—Heat and vent	CO		1
32	6-16350-10		Duct Assembly—Heat and vent	CO		1
33	6-16355-5		Transition Assembly—Heat and vent	BO		1
34	9-7945		Duct Assembly—Heat and vent	BO		1
35	15-13083-2		Duct Assembly—Weld	HO		1
36	15-17138-2		Clamp Assembly—Duct joint	XP		2
37	6-18201		Duct Assembly—Heat and vent	CO		1
38	6-16341		Duct Assembly—RH waist gun	CO		1
39	15-17138-1		Clamp Assembly—Duct joint	XP		1
40	14-3695		Defroster Assembly—RH waist gun	CO		1
41	15-17138-14		Clamp Assembly—Duct joint	XP		1
	14-3655		Installation—Heat and vent duct	XM		NP
42	3-24613		Transition Assembly—Heat and vent	PM		1
43	3-27014		Transition Assembly—Heat and vent	CO		1
44	15-17138-14		Clamp Assembly—Duct joints	XP		1
45	9-7358		Duct Assembly—Heat and vent	QM		1
	9-7358-6		Duct Assembly—Heat and vent	HO		1
46	15-17138-2		Clamp Assembly—Duct joint	XP		2
47	6-16332		Elbow Assembly—Heat and vent	XM		1
48	3-24612		Transition Assembly—Heat and vent	XM		1
49	15-17138		Clamp Assembly—Duct joint	XP		1
50	14-3694		Defroster Assembly—LH waist gun	XM		1
51	15-17138-7		Clamp Assembly—Duct joint	XP		1
52	3-24611		Transition Assembly—Heat and vent	XM		1
53	15-17138-10		Clamp Assembly—Duct joint	XP		3
54	6-16331		Elbow Assembly—Heat and vent	XM		1
55	6-14255		Duct Assembly—Heat and vent	XM		1
56	6-14256		Duct Assembly—Heat and vent	XM		1
57	15-17138-10		Clamp Assembly—Duct joint	XP		1
	15-12712		Installation—Heat and vent duct	XM		NP
58	6-14275		Duct Assembly—Heat and vent	XM		1
59	15-17138-10		Clamp Assembly—Duct joint	XP		9
60	6-15265		Duct Assembly—Heat and vent	XM		1
61	6-15274		Transition Assembly—Heat and vent	XM		1
62	6-15279		Duct Assembly—Heat and vent	XM		1
63	6-14276		Elbow Assembly—Heat and vent	XM		1
64	6-14498		Duct Assembly—Heat and vent	XM		1
65	3-23111		Elbow Assembly—Heat and vent	XM		1
66	6-14489		Duct Assembly—Heat and vent	XM		1
67	8-2785		Duct Assembly—Damper	XM		1
68	6-14488		Tee Assembly—Heat and vent	XM		1
69	15-17138-3		Clamp Assembly—Duct joint	XP		8
70	6-14253		Elbow Assembly—Heat and vent	XM		1
71	6-14232		Duct Assembly—Heat and vent	XM		1
72	6-14253-7		Elbow Assembly—Heat and vent	XM		1
73	3-23094		Elbow Assembly—Heat and vent	XM		1
74	6-15273-1		Transition Assembly—Heat and vent	XM		1
75	6-15273		Transition Assembly—Heat and vent	XM		1
76	3-23087		Duct Assembly—Heat and vent	XM		1
77	3-23087-1		Duct Assembly—Heat and vent	XM		1
	15-9004		Installation—Tail turret defroster	LM		NP
78	6-14301		Elbow Assembly—Defroster	XM		1
79	6-14301-1		Elbow Assembly—Defroster	XM		1
80	3-15173		Duct Assembly—Defroster	XM		2
81	3-19542		Duct Assembly—Defroster	XM		1
82	3-19542-1		Duct Assembly—Defroster	XM		1
83	14-3288		Duct Assembly—Defroster	XM		1
84	14-3288-1		Duct Assembly—Defroster	XM		1
85	14-3289		Duct Assembly—Defroster	XM		1
86	14-3289-1		Duct Assembly—Defroster	XM		1
87	6-10795		Elbow Assembly—Defroster	XM		1
88	6-10795-1		Elbow Assembly—Defroster	XM		1
89	9-4648		Defroster Assembly—Rear gunner	XM		1

FUSELAGE

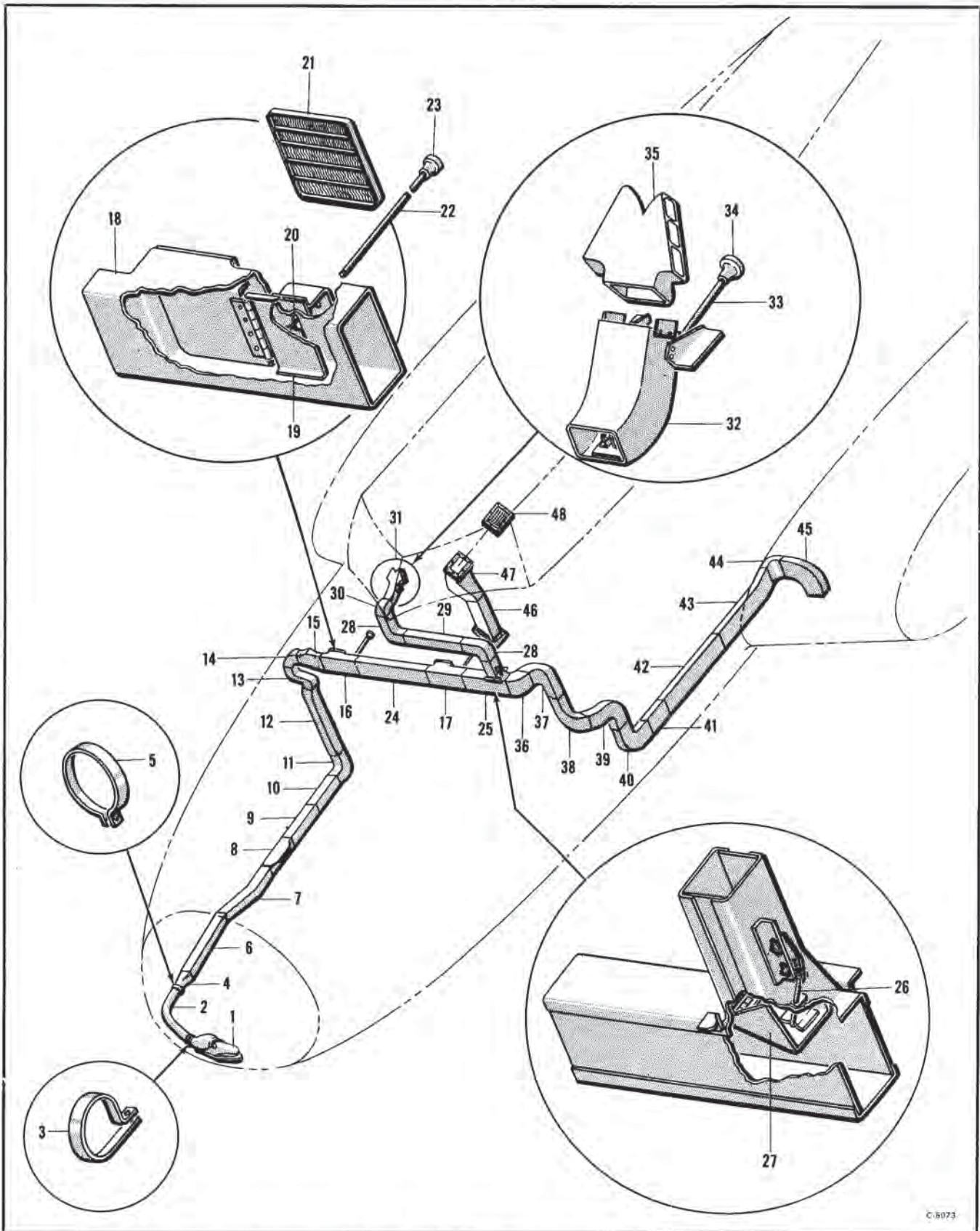


Figure 142—Fuselage Forward Heating and Ventilating System

AN 01-20EG-4

FUSELAGE

Forward Fuselage Heating and Ventilating System

Figure & Index No.	Part Number	1 2 3 4 5 6 7	Nomenclature	Usage Code	Units Per Assy.
			Forward Fuselage Heating and Ventilating System.....		
	55-7368		Installation—Heating and ventilating.....	QB	NP
	14-3630		Installation—Bombers window defroster.....	QB	NP
	14-3630-1		Duct Assembly—Bombers window defroster.....	J	1
142-1	14-3630-4		Duct Assembly—Bombers window defroster.....	LF	1
	14-3631		Installation—Bombers window duct.....	QB	NP
2	3-20651		Transition—Heating duct.....	QB	1
3	2980-40		Clamp—Hose (Tinnerman).....	QB	1
4	3-20650		Hose Assembly—Air duct.....	QB	1
5	2981-40		Clamp—Hose (Tinnerman).....	QB	1
	15-11412		Installation—Heating and ventilating duct.....	QB	NP
6	15-11412-6		Duct Assembly—Heating and ventilating.....	QB	1
7	15-11412-1		Duct Assembly—Heating and ventilating.....	QB	1
	6-13921		Installation—Navigators air outlet.....	QB	NP
8	6-13921-1		Duct Assembly—Navigators air.....	QB	1
	6-13916		Installation—Navigators duct.....	QB	NP
9	6-13916-1		Duct Assembly—Navigators.....	QB	1
	9-2951		Installation—Bomber duct.....	QB	NP
10	9-2951-7		Duct Assembly—Bomber.....	QB	1
11	9-2951-12		Duct Assembly—Bomber.....	QB	1
	3-13627		Installation—Bomber duct.....	QB	NP
12	3-13627-1		Duct Assembly—Bomber.....	QB	1
	6-7887		Installation—Heating and ventilating duct.....	QB	NP
13	3-11477		Duct Assembly—Heating and ventilating.....	QB	1
14	51-255		Elbow Assembly—Air duct.....	QB	1
	3-12018		Installation—Heating and ventilating duct.....	QB	NP
15	3-12018-1		Duct Assembly—Heating and ventilating.....	QB	1
	55-5924		Installation—Pilots air duct.....	QB	NP
16	46-7622-1		Elbow Assembly—Pilots air duct.....	QB	1
17	46-7622		Elbow Assembly—Pilots air duct.....	QB	1
18	46-7622-3		Duct Assembly (used on 46-7622-1).....	QB	1
	46-7622-2		Duct Assembly (used on 46-7622).....	QB	1
	46-7622-403		Shutter Assembly.....	QB	1
19	41-7982		Shutter Assembly—Pilots air duct.....	QB	1
20	1-18371		Rod—Shutter control.....	QB	1
21	41-7983		Grill—Pilots air duct.....	QB	1
22	1-19701-1		Rod—Pilots heat control (used with 46-7622-1).....	BA	1
	1-19701		Rod—Pilots heat control (used with 46-7622).....	BA	1
	1-19701-3		Rod—Pilots heat control (used with 46-7622-1).....	AH	1
	1-19701-2		Rod—Pilots heat control (used with 46-7622).....	AH	1
	1-19701-5		Rod—Pilots heat control (used with 46-7622-1).....	EL	1
	1-19701-2		Rod—Pilots heat control (used with 46-7622).....	EL	1
23	1-18579		Knob—Plastic.....	QB	2
24	41-7952-1		Duct—Heating and ventilating.....	QB	1
25	46-7624		Elbow Assembly—Air duct.....	QB	1
	46-7624-1		Duct Assembly—Air duct.....	QB	1
26	41-7985		Rod—Shutter control.....	QB	1
	46-7624-404		Duct Assembly—Spot weld.....	QB	1
27	41-7979		Shutter Assembly—Defroster.....	QB	1
	9-3714		Installation—Defroster air duct.....	QB	NP
28	41-8385		Elbow Assembly.....	QB	2
29	41-7952-7		Duct.....	QB	1
30	41-8395		Elbow Assembly—Defroster duct.....	QB	1
	6-10474		Installation—Pilots defroster.....	QB	NP
31	6-10474-2		Duct Assembly—Pilots defroster.....	QB	1
	6-9481-12		Elbow Assembly.....	QB	1
32	6-9481-9		Elbow Assembly.....	QB	1
33	1-19655-1		Rod—Defroster control.....	QB	1
34	1-18579		Knob—Plastic.....	QB	1
35	6-10430		Defroster—Pilots outlet.....	QB	1
	6-7799		Installation—Heating and ventilating duct.....	QB	NP
36	3-11388-5		Duct Assembly—Heating and ventilating.....	QB	1
37	3-11388		Duct Assembly—Heating and ventilating.....	QB	1
38	3-11410		Duct Assembly—Heating and ventilating.....	QB	1
39	3-11424		Duct Assembly—Heating and ventilating.....	QB	1
	15-7384		Installation—Heating duct.....	QB	NP
40	3-11425		Duct Assembly—Heat and vent.....	QB	1
41	3-11426		Duct Assembly—Heat and vent.....	QB	1
42	15-7384-20		Duct Assembly.....	QB	1
43	15-7384-13		Duct Assembly.....	QB	1
44	15-7384-8		Elbow Assembly.....	QB	1
45	15-7384-1		Elbow Assembly.....	QB	1
	9-3084		Installation—Pilots air vent.....	QB	NP
46	3-11413		Duct Assembly—Air vent.....	QB	1
47	6-8152		Transition Assembly—Pilots air vent.....	QB	1
48	51-150		Grill—Pilots air vent.....	QB	1

FUSELAGE

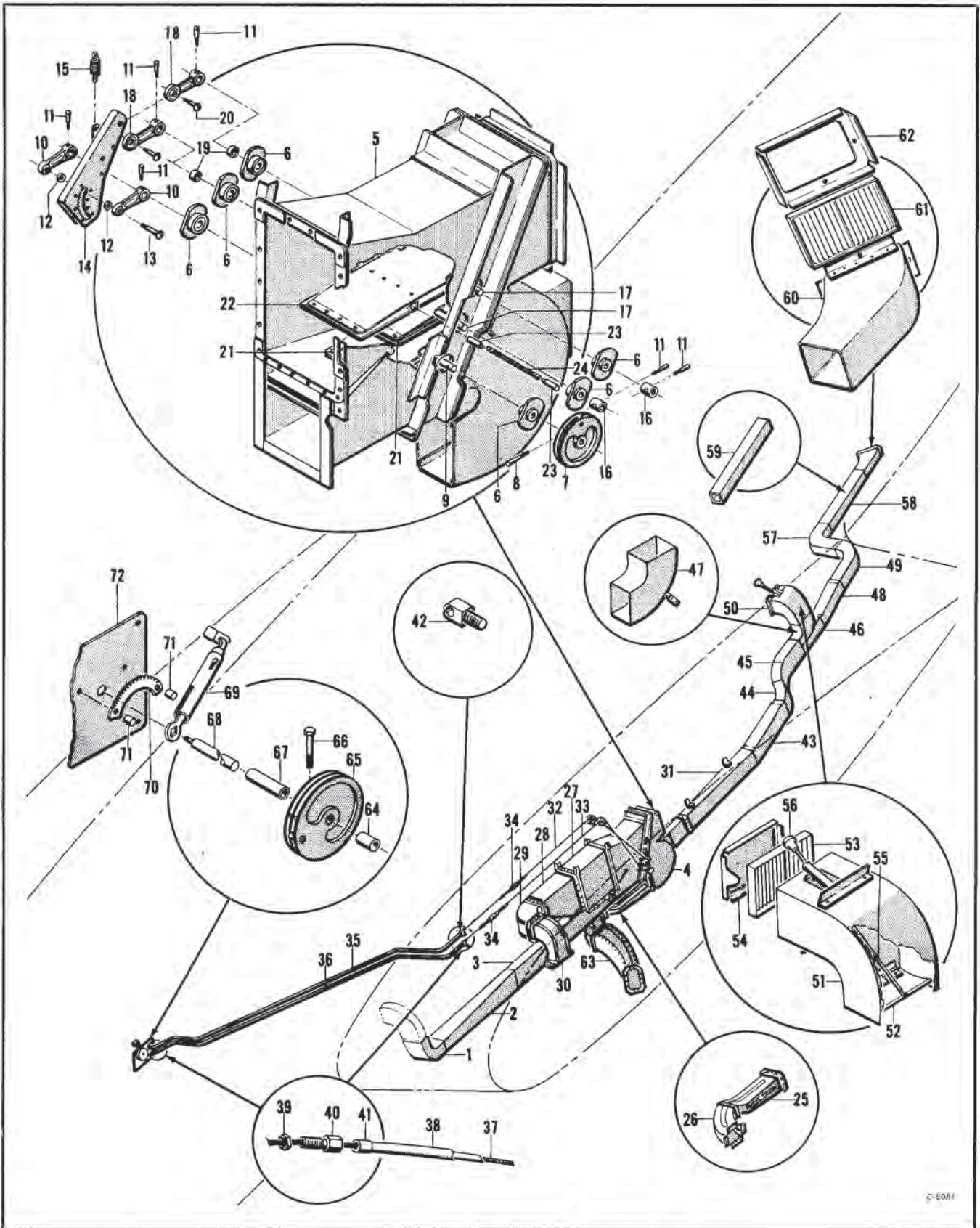


Figure 143—AF-1 Fuselage Heating and Ventilating System

AN 01-20EG-4

FUSELAGE

Aft Fuselage Heating and Ventilating System

Figure 5
Index No.

Part Number

1 2 3 4 5 6 7

Nomenclature

Usage
CodeUnits
Per Assy.

Figure 5 Index No.	Part Number	1 2 3 4 5 6 7	Nomenclature	Usage Code	Units Per Assy.
			Aft Fuselage Heating and Ventilating System		
	55-7368		Installation—Heating and ventilating	QB	NP
	65-6705		Installation—Cabin heating unit and cable	QB	NP
143-1	3-12577		Elbow Assembly—Heating	QB	1
2	3-12576		Transition Assembly—Heating	QB	1
3	6-8659		Duct Assembly—Heating and ventilating	QB	1
4	55-6704		Unit Assembly—Cabin air control	QB	1
5	55-6704-400		Duct Assembly—Cabin air control	QB	1
	55-6704-402		Control Assembly—Cabin air control	QB	1
6	1-16656		Housing Assembly—Bearing	EA	6
	1-16656-1		Housing—Bearing	EA	1
	AN201K8A		Bearing—Metal shielded ball	EA	1
	1-29922		Bearing—Phenolic	OH	6
7	3-13923		Drum—3-4 cable	QB	1
8	AN386-1-9		Pin—Threaded taper	QB	1
9	1-16668-7-24		Shaft—1-2 OD aluminum alloy	QB	1
10	1-22651		Lever—Damper control	QB	2
11	AN386-1-6		Pin—Threaded taper	QB	6
	AN975-3		Washer—Taper pin	QB	7
12	BAC1603-10		Spacer—1-8 in. long	QB	2
13	AN23-21		Bolt—Clevis	QB	1
14	6-8655		Link Assembly—Control arm	QB	1
15	41-4931		Spring—Tension	QB	1
16	1-16669		Collar—Valve shaft	QB	2
17	1-16668-6-29		Shaft—1-2 OD aluminum	QB	2
18	41-4069		Arm Assembly—Damper valve control	QB	2
19	BAC1608-21		Spacer	QB	2
	21-3894-24-13		Washer	QB	4
20	AN23-12		Bolt—Clevis	QB	2
21	3-12574		Vane Assembly—Cabin air control	QB	2
22	7-1655		Vane Assembly—Cabin air control	QB	1
23	1-21953		Block—Laminated phenolic	QB	2
24	1-21955		Spring—Brake	QB	1
	15-6703		Duct Assembly—Cold air	QB	1
25	15-6703-1		Duct Assembly—Cold air	QB	1
26	15-6703-10		Duct Assembly—Cold air	QB	1
27	1928E		Radiator Assembly (McQuay)	QB	1
28	9-3269		Duct Assembly—Cabin air	QB	1
29	6-8657		Elbow Assembly—Cabin air duct	QB	1
30	9-3267		Elbow Assembly—Cabin air	QB	1
31	6-8658		Duct Assembly—Heating and ventilating	QB	1
32	BAC1807-49-3R		Cable Assembly	QB	1
33	BAC1807-58-0R		Cable Assembly	QB	1
34	AN155-6L		Barrel—Turnbuckle	QB	2
35	55-6705-403		Control Assembly—Cabin heating	QB	1
36	55-6705-400		Control Assembly—Cabin heating	QB	1
37	BAC1807-120-0L		Cable Assembly (used on 55-6705-403)	QB	1
	BAC1807-108-0L		Cable Assembly (used on 55-6705-400)	QB	1
38	55-6705-401		Tube—Cabin heating	QB	1
39	AN316-4R		Nut—Aircraft check	QB	2
40	AN8005-1		Stop—Control cable	QB	2
41	AN8004-1		Cap—Control cable	QB	2
42	41-9163		Post—3-32 flexible cable casing	QB	4
	55-7599		Installation—Heating duct	QB	NP
43	55-7599-1		Duct Assembly—Heating	QB	1
44	55-7599-6		Elbow Assembly—Heating	QB	1
45	55-7599-400		Elbow Assembly—Heating	QB	1
46	9-3688		Elbow Assembly—Air duct	CB	1
47	9-9156		Elbow Assembly—Air duct	EL	1
48	3-11330		Duct Assembly—Gunners air	CB	1
49	55-7599-402		Elbow Assembly—Heating	CB	1
	9-3661		Installation—Air outlet elbow	QB	NP
50	9-3661-1		Elbow Assembly—Air outlet	QB	1
51	9-3661-11		Duct Assembly—Air outlet	QB	1
52	3-13934		Damper Assembly—Air duct	QB	1
53	1-19055		Grille—Air outlet	QB	1
54	1-19054		Cover—Grille	QB	1
55	1-20038		Rod—Air control	QB	1
56	1-20040		Knob—Plastic	QB	1
	14-2056		Installation—Heating duct	CB	NP
57	14-2056-21		Elbow Assembly—Heating	CB	1
58	14-2056-14		Duct Assembly—Heating	OA	1
59	14-2056-23		Duct Assembly—Heating	UI	1
60	14-2056-20		Elbow Assembly—Heating	OA	1
61	1-18245		Grille—Air outlet	OA	1
62	1-18244		Cover—Grille	QB	1
63	15-6702		Duct Assembly—Cold air	QB	1
	9-3705		Installation—Cabin air control	QB	NP
64	BAC1608-57		Spacer	QB	1
65	3-13923		Drum—3-32 cable	QB	1
66	AN3-14A		Bolt—Aircraft	QB	1
	AN365-1032		Nut—Self-locking	QB	1
67	BAC1608-119		Spacer	QB	1
68	1-18844		Shaft—1-2 OD	QB	1
69	41-8065		Handle Assembly—Damper control	QB	1
	AN960D416		Washer—Plain	QB	1
	AN365-428		Nut—Self-locking	QB	1
70	41-8064		Sector—Control lever	QB	1
71	BAC1603-30		Spacer	QB	2
72	3-13910		Name Plate	QB	1
	85-6691		Installation—Glycol system (see fig. 54)	QB	NP

Section I I
Group Assembly Parts List

AN 01-20EG-4

FUSELAGE

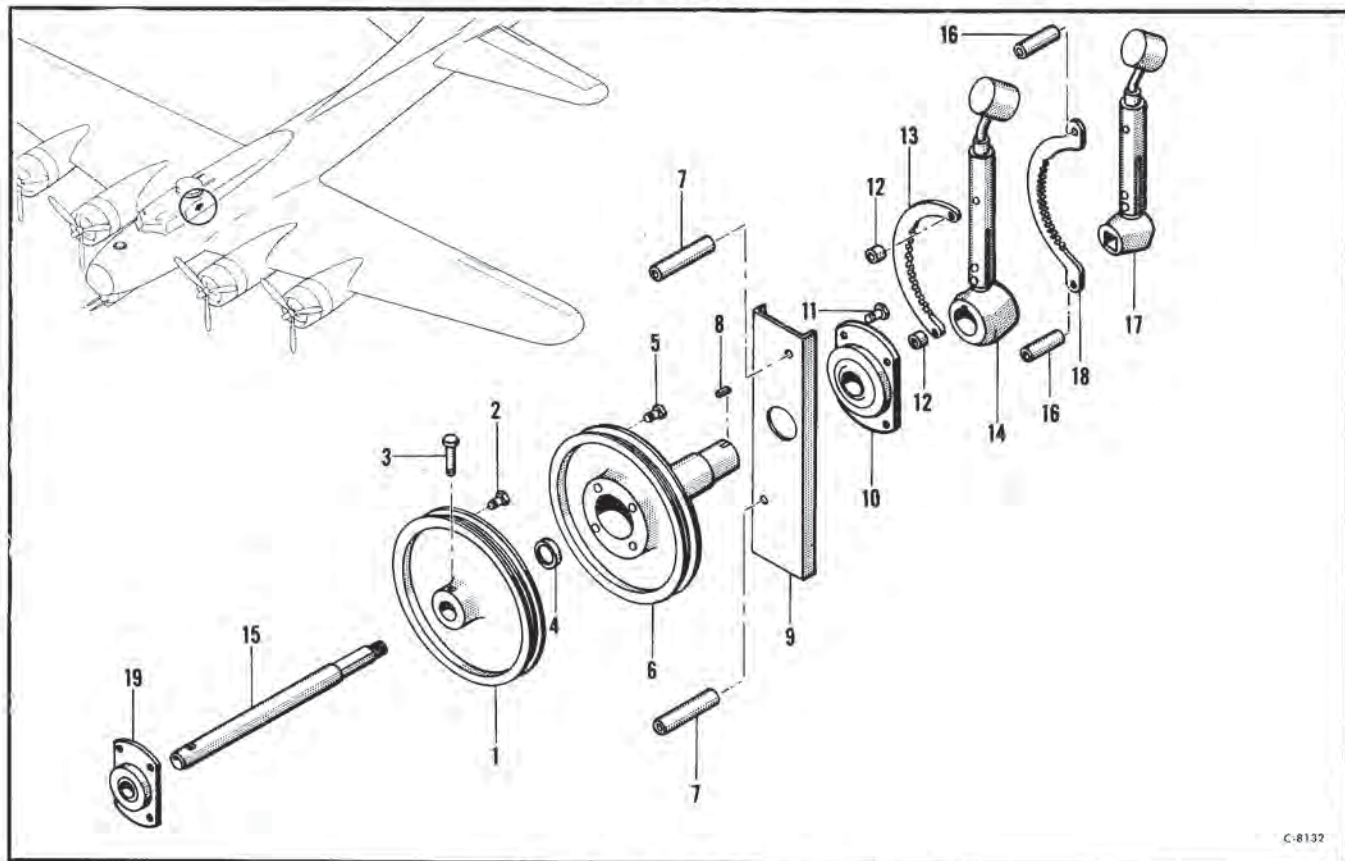
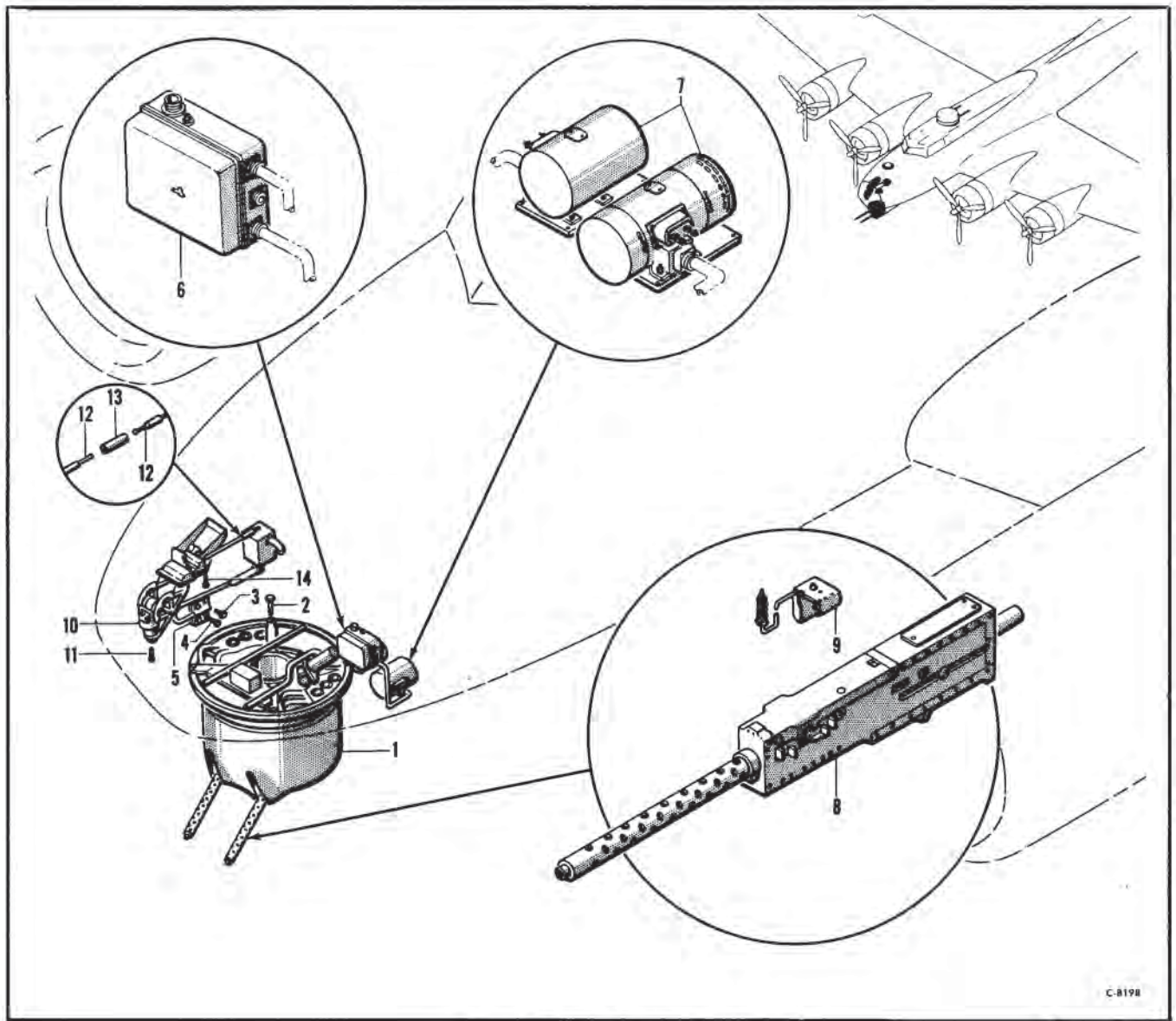


Figure 144—Cabin Heat Stand

Cabin Heat Stand

Figure & Index No.	Part Number	1	2	3	4	5	6	7	Nomenclature	Usage Code	Units Per Assy.
	15-13013								Cabin Heat Stand		
	15-13013-3								Installation—Cabin heat stand (see fig. 69)	XM	NP
144-1	6-14364								Drum Assembly	XM	1
2	AN3-6								Drum—Cabin heat control	XM	1
3	AN3-13A								Bolt—Aircraft	XM	1
4	BAC1608-17								Bolt—Aircraft	XM	1
	15-13013-2								Spacer	XM	1
5	AN3-6								Drum Assembly	XM	1
6	6-14397								Bolt—Aircraft	XM	1
	3-23419								Shaft Assembly—Cabin heat control	XM	1
	AN201K8A								Drum Assembly—Cabin heat control	XM	1
7	BAC1603-136								Bearing—Ball	XM	1
8	BAC1002-6								Spacer	XM	2
9	15-13013-1								Key—5-32 square	XM	1
10	3-22475								Channel	XM	1
11	AN201K12A								Housing Assembly—Bearing	XM	1
12	AN3-4A								Bearing—Ball	XM	1
13	BAC1603-32								Bolt—Aircraft	XM	4
14	3-23417								Spacer	XM	2
15	3-22495								Sector—Cabin heat control unit	XM	1
16	AN201K8A								Lever Assembly—Cabin heat control	XM	1
17	3-23825								Bearing—Ball	XM	1
18	BAC1603-84								Shaft—Cabin heat control	XM	1
	3-23801								Spacer	XM	2
	3-22479								Lever Assembly—Cabin heat control	XM	1
19	15-13012								Sector—Cabin heat control unit	XM	1
	15-13012-2								Installation—Support cabin heat (see fig. 68)	XM	NP
	41-2476								Support Assembly	XM	1
	41-2476-3								Housing Assembly—Bearing	XM	1
	AN201K8A								Housing	XM	1
									Bearing—Ball	XM	1

FUSELAGE



C-8198

Figure 145—Chin Turret

Chin Turret

Figure & Index No.	Part Number	1 2 3 4 5 6 7	Nomenclature	Usage Code	Units Per Assy.
	15-11382		Installation—Chin turret.	All	NP
145-1	82500		Turret Assembly—Chin (Bendix) GFE (T.O. 11-45AA-3)	JD	1
	83400		Turret Assembly—Chin (Bendix) (Type A-16A) GFE (T.O. 11-45AA-3)	DR	1
2	AN6-13A		Bolt—Aircraft	All	4
	AN960D16		Washer—Plain	All	4
	AN365-624		Nut—Self-locking	All	4
3	AN4-16A		Bolt—Aircraft	All	2
4	AN4-17A		Bolt—Aircraft	All	2
	AN960-416		Washer—Plain	All	2
	AN960-416L		Washer—Plain	All	2
5	3-24592		Spacer—Controller support.	All	1
6	82822		Box—Resistor (Bendix) GFE (on 82500 and 83400)	All	NP
7	81174		Amplidyne (Bendix) GFE (on 82500 and 83400)	All	NP
8	M2		Gun—50 caliber machine GFE (see T.O. 11-1-8)	All	2
9	44B25259		Heater Assembly—Electric gun (Spec 24946) (Type J-4) GFE	All	2
10	659060		Sight (Sperry) (Type K-13) GFE (see T.O. AN 11-35A-17)	DR	1
11	AN500-10-10		Screw—Fillister head	DR	3
12	A50		Tip—Sta-Kon disconnect (Thomas and Betts)	All	2
13	NO. 7		Coupler—Sta-Kon disconnect (Thomas and Betts)	All	1
14	3-20722		Bolt—1-4 28 special	All	1
	AN316-4R		Nut—Aircraft check	All	4

FUSELAGE

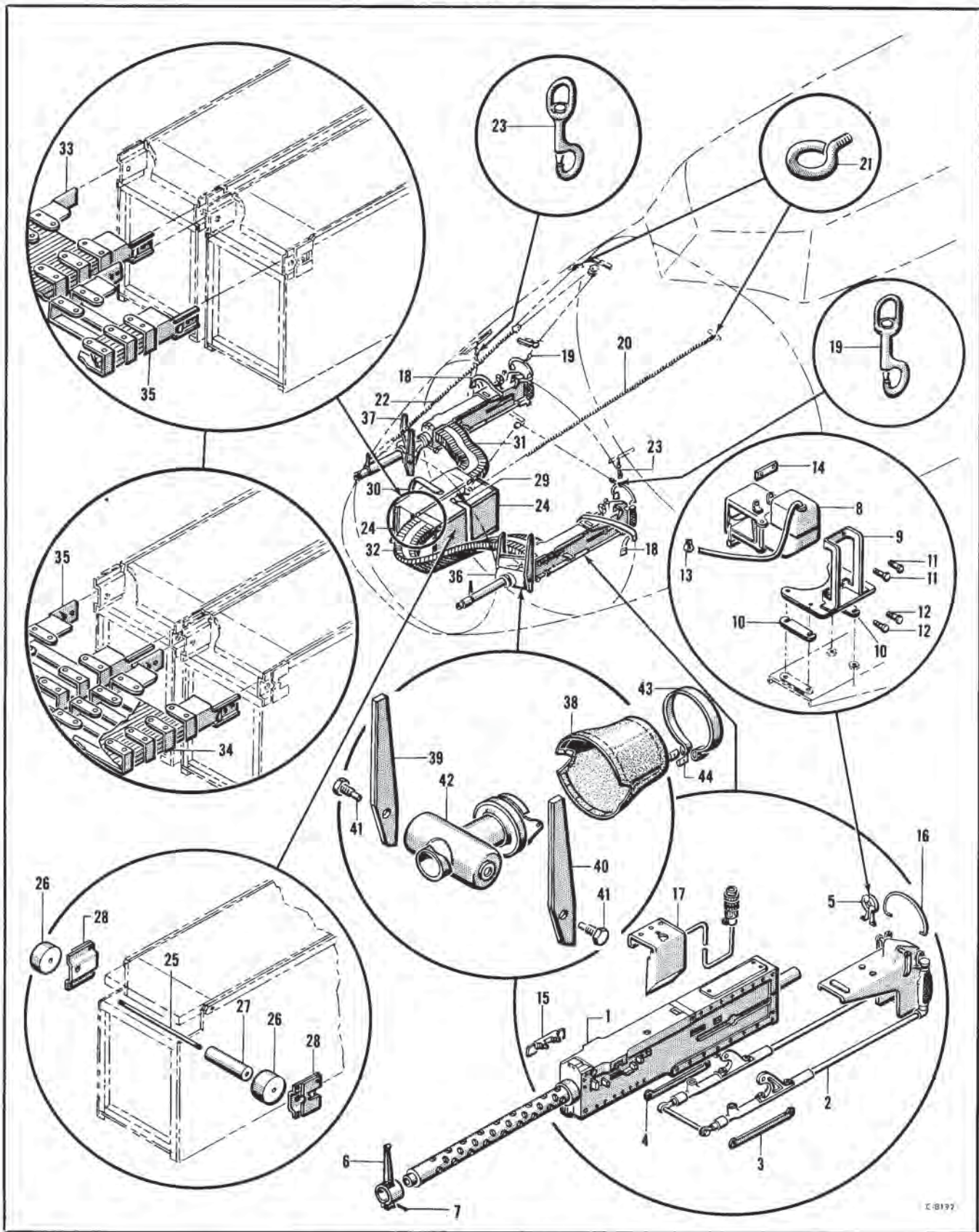


Figure 146—Cheek Guns and Equipment

AN 01-20EG-4

FUSELAGE

Cheek Guns and Equipment

Figure & Index No.	Part Number	1 2 3 4 5 6 7	Nomenclature	Usage Code	Units Per Assy.
			Cheek Guns and Equipment		
	15-13870		Installation—Cheek gun 50 caliber LH	JI	NP
	15-13878		Installation—Cheek gun 50 caliber RH	JI	NP
146-1	M2		Gun—50 caliber machine GFE (see T.O. 11-1-8)	JI	1
2	NO NUMBER		Adapter—Gun mount (Type E-11) GFE	JI	1
3	43A10876		Link GFE	JI	1
4	43A10877		Link GFE	JI	1
5	42B8318		Sight—Gun ring (Type E-11) GFE	EI	1
	AN500-10-5		Screw—Fillister head	EI	2
6	42A8317		Sight Assembly—Gun post (Type A-11) GFE	EI	1
7	AN3-12		Bolt—Aircraft	EI	2
	AN310-3		Nut—Aircraft castle	EI	2
	9-9887-1		Installation—Reflector sight (used on 15-13870)	JP	NP
	9-9897		Installation—Reflector sight (used on 15-13878)	JP	NP
	9-9897-3		Sight Assembly—LH	JP	1
	9-9897-2		Sight Assembly—RH	JP	1
8	44B12175		Sight Assembly—Gun (Type N-8A) GFE (see AN11-35-91)	JP	1
9	6-20680		Bracket Assembly—Sight support	JP	1
10	3-31181		Shim—Reflector sight	JP	6
11	AN4-5A		Bolt—Aircraft	JP	2
12	AN4-6A		Bolt—Aircraft	JP	2
	AN364-428		Nut—Self-locking	JP	4
13	755-5-2-8		Clamp—Cushioned (Adel)	JP	1
14	3-32102		Spacer—Reflector sight	JP	2
	AN500-10R8		Screw—Fillister head	JP	4
15	43A6953R		Mount Assembly—Ammunition RH (used on 15-13870) (Type C-3A) GFE	JI	1
	43A6953L		Mount Assembly—Ammunition LH (used on 15-13878) (Type C-3A) GFE	JI	1
16	3-19996		Bail Assembly—Shock cord	WH	1
	3-19996-2		Bail Assembly—Shock cord	YL	1
17	NO NUMBER		Heater—Gun breech (used on 15-13870) (Spec 24864) (Type J-1 LH) GFE	JI	1
	NO NUMBER		Heater—Gun breech (used on 15-13878) (Spec 24864) (Type J-1 RH) GFE	JI	1
	6-20629		Installation—Cheek gun stowage support LH	JI	NP
	6-20677		Installation—Cheek gun stowage support RH	JI	NP
18	3-30187		Strap Assembly	JI	1
	AN520-10R12		Screw—Round head	JI	1
	15-13869		Installation—Cheek guns stabilizer	JI	NP
	15-13869-1		Stabilizer Assembly—LH gun	JI	1
	15-13869-2		Stabilizer Assembly—RH gun	JI	1
	15-13869-5		Cable Assembly (LH gun)	JI	1
	15-13869-11		Cable Assembly (RH gun)	JI	1
19	225		Snap—Halyard (North & Judd)	JI	1
20	3-26005		Spring—Tension (LH gun)	JI	1
21	3-26029		Bolt—Eye	JI	1
	15-13869-10		Bracket Assembly—Stabilizer (RH gun)	JI	1
22	3-26004		Spring—Tension	JI	1
	15-13869-7		Stowage Assembly—Nose gun	JI	2
23	225		Snap—Halyard (North & Judd)	JI	1
	15-13854		Installation—Cheek guns box	JI	NP
24	15-13853		Box Assembly—Cheek guns ammunition	JI	2
25	1-30403-1		Rod—Ammunition box roller	JI	1
	AN960-416		Washer—Plain	JI	4
26	3-26047		Roller—Ammunition box	JI	2
27	3-21396-1		Roller—Ammunition box	JI	1
28	3-20562		Support Assembly—Ammunition track	JI	2
	9-7557		Pan Assembly—Cheek guns	XH	1
	9-7557-2		Pan Assembly—Cheek guns	XM	1
29	3-26023		Strap Assembly—Ammunition box	JI	1
30	3-26023-1		Strap Assembly—Ammunition box	JI	1
	6-16971		Cover Assembly—Ammunition box	JI	2
31	6-16324-5		Chute Assembly—Flexible ammunition	XH	1
32	6-16324-6		Chute Assembly—Flexible ammunition	XH	1
33	6-16324-7		Chute Assembly—Flexible ammunition	OM	1
34	6-16324-9		Chute Assembly—Flexible ammunition	RN	1
35	6-16324-8		Chute Assembly—Flexible ammunition	XM	1
	LLB50G1		Adapter—Gun end (Smoot-Holman) GFE	JI	1
	LLB50M3		Adapter—Box end (Smoot-Holman) GFE	JI	1
	LLB50-34		Chute (Smoot-Holman) (used on 6-16324-5) GFE	JI	1
	LLB50-68		Chute (Smoot-Holman) (used on 6-16324-6) GFE	JI	1
	LLB50-80		Chute (Smoot-Holman) (used on 6-16324-7) GFE	JI	1
	LLB50-91		Chute (Smoot-Holman) (used on 6-16324-9) GFE	JI	1
	LLB50-46		Chute (Smoot-Holman) (used on 6-16324-8) GFE	JI	1
36	9-7545		Mount Assembly—Cheek gun (LH) (see fig. 65)	AL	Ref
37	9-7545-1		Mount Assembly—Cheek gun (RH) (see fig. 65)	AL	Ref
38	9-7525		Boot—K-5 gun mount	AL	1
39	6-16910		Support—Gun mount (LH)	LH	1
	6-16910-1		Support—Gun mount (RH)	AL	1
40	6-16910-2		Support—Gun mount (LH)	AL	1
	6-16910-3		Support—Gun mount (RH)	AL	1
41	3-26003		Bolt—5-8 18 special	AL	2
42	6-16899		Mount Assembly—K-5	AL	1
	43G10872		Mount—Gun (Type K-5) GFE	AL	1
43	3-25310		Clamp—K-5 mount boot	AL	1
	AN520-10R24		Screw—Round head	AL	1
44	1-27935-1		Spacer—Support strap	AL	2

FUSELAGE

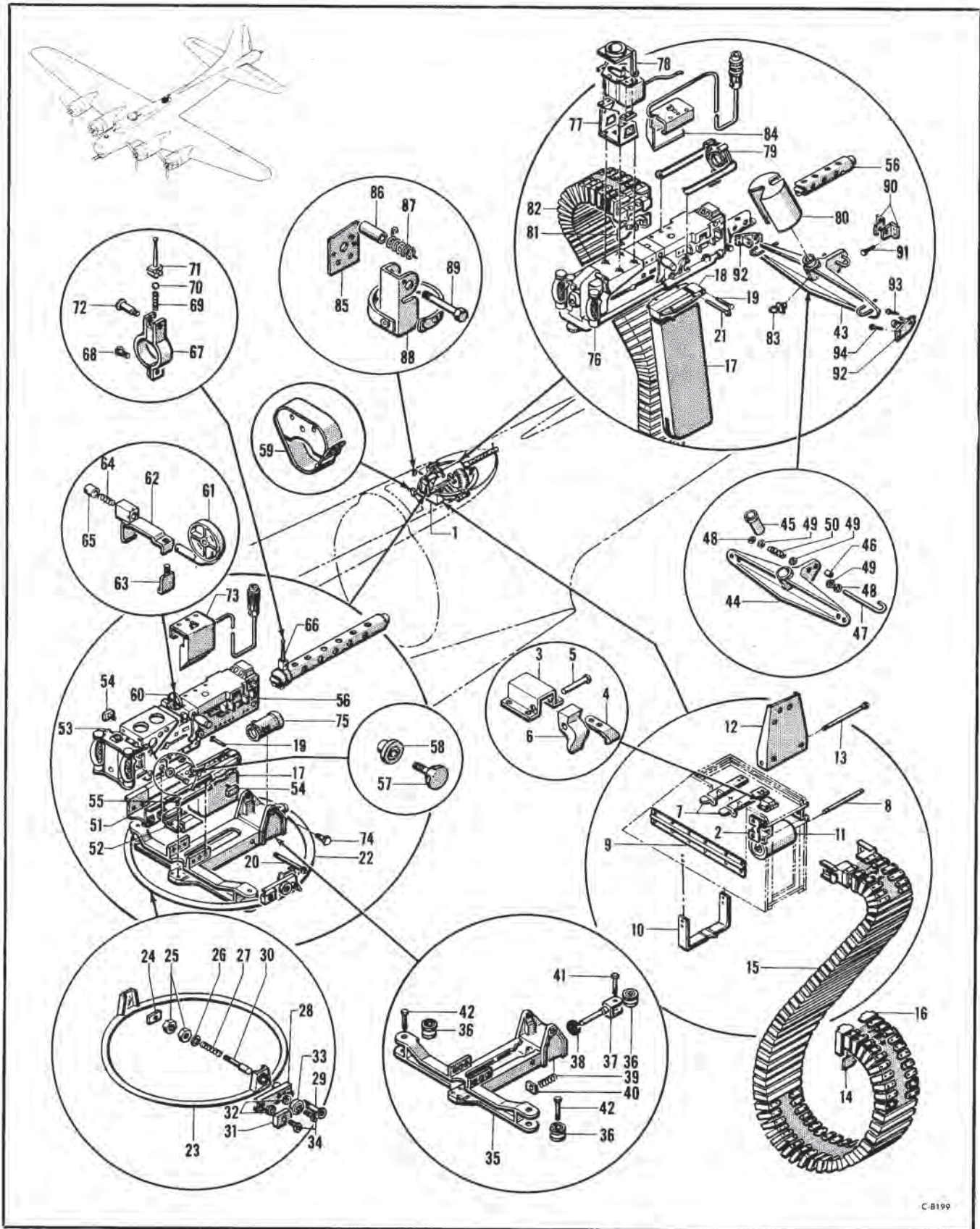


Figure 147—Radio Compartment Gun

AN 01-20EG-4

FUSELAGE

Radio Compartment Gun

Figure & Index No.	Part Number	1	2	3	4	5	6	7	Nomenclature	Usage Code	Units Per Assy.
									Radio Compartment Gun		
									Installation—Top gun ammunition box	DD	NP
147-1	14-3290								Box Assembly—Ammunition top gun	DD	1
2	3-20562								Support Assembly—Ammunition track	DD	2
	4-3286-10								Catch Assembly	DD	1
3	35A3896								Housing	DD	1
4	35A3898								Spring	DD	1
5	35A3899								Pin	DD	1
6	35A3897								Lever	DD	1
7	1-29960								Latch—Ammunition box	DD	2
8	1-28072-1								Rod—Roller ammunition box	DD	1
9	14-3286-35								Hinge (make from AN251-3)	DD	1
10	1-22707-18								Strap Assembly—3-4 wide (Spec AC6-185C) (Type 2B) (Sturges Mfg. Co.)	DD	1
11	3-13675								Roller Assembly—Ammunition box	DD	1
12	6-13193								Bracket—Ammunition box support	DD	1
13	1-28368								Bolt—3-16 stud	DD	1
14	43A6953R								Mount Assembly (Type C3A) GFE	AJ	1
15	6-16324								Chute Assembly—Flexible ammunition	WB	1
	LLB50-46								Chute (Smoot-Holman) GFE	WB	1
	LLB50G1								Adapter (Smoot-Holman) GFE	WB	1
	LLB50M3								Adapter (Smoot-Holman) GFE	WB	1
16	37B2675-1								Adapter (Type C2) GFE	OA	1
	15-10411								Installation—Upper gun	SD	NP
	15-16076								Installation—Radio compartment gun	PN	NP
17	6-15203								Container Assembly—Case ejection	SD & PN	1
18	6-19349								Adapter Assembly—Case container	PN	1
19	3-20848								Pin—Safety	SD & PN	1
20	3-21881								Pin Assembly—Ejection case	SD	1
21	3-21881-2								Pin Assembly—Ejection case	PN	1
22	15-10412								Mount Assembly—Upper gun	SD	1
	15-10412-2								Ring Assembly	SD	1
23	9-3379								Ring Assembly—Gun mount	SD	1
24	1-18145								Handle—Gun mount lock	SD	2
25	AN316-10R								Nut—Aircraft check	SD	4
26	1-18144								Spacer—Gun mount lock	SD	2
27	1-18160								Spring—Compression	SD	2
28	3-13379								Carriage Assembly—Gun mount	SD	2
29	1-18147								Spring—Retainer gun mount lock	SD	2
30	1-18146								Pin—Gun mount lock	SD	2
31	1-17014								Slide—Gun mount	SD	2
32	1-18143								Spacer—Carriage guide	SD	4
33	AN201K10A								Bearing—Ball	SD	2
34	1-18148								Pin—Gun mount carriage	SD	4
	15-10412-3								Support Assembly	SD	1
35	15-10409								Support Assembly—Gun mount	SD	1
	1-18338								Bushing—Gun mount	SD	1
	1-27745								Bushing—Gun mount	SD	1
36	1-18067								Roller Assembly—Gun ring	SD	3
	AN201K4A								Bearing—Ball	SD	2
	BAC1604-68								Spacer—1-4 bolt	SD	1
37	3-19280								Yoke Assembly—Gun mount	SD	1
38	1-18298-8								Buffer—Armor plate	SD	1
39	1-18065								Spring—Compression	SD	1
40	1-27185								Filler—Spring seat	SD	1
41	AN4-24								Bolt—Aircraft	SD	1
42	AN4-25								Bolt—Aircraft	SD	2
43	9-8973								Mount Assembly—Radio compartment gun	PN	1
44	15-15486								Mount—Radio compartment gun	PN	1
45	3-28769								Bushing—Gun mount	PN	1
46	3-28769-1								Bushing—Gun mount	PN	3
47	3-28796								Pin—Gun mount	PN	6
48	NA551-37								Ring—Retainer	PN	6
49	AN960-616								Washer—Plain	PN	9
50	3-28797								Spring—Compression	PN	3
51	6-13184								Frame Assembly—50 caliber gun	SD	1
52	D58769								Slide—Box top gun (Edgewater Steel Co.)	SD	1
53	D58764								Adapter—Handle frame (Edgewater Steel Co.)	SD	1
54	D56351								Slide (Edgewater Steel Co.)	SD	2
55	AN3-10A								Bolt—Aircraft	SD	4
56	M2								Gun—50 caliber GFE	SD & PN	1
57	D56357								Bolt—Frame mount (Edgewater Steel Co.)	SD	4
58	D56356								Washer (Edgewater Steel Co.)	SD	4
59	3-19291								Bracket Assembly—Gun stowage	SD	1
	1-22707-18								Strap Assembly—3-4 wide (Spec AC6-185C) (Type 2B) (Sturges Mfg. Co.)	SD	1
60	3-19579								Sight Assembly—Folding ring	SD	1
61	3-19580								Ring Assembly—Gun sight	SD	1
62	1-16365								Clamp Assembly—Gun sight	SD	1
63	1-16366								Hook—Gun sight clamp	SD	1
64	1-16373								Spring—Compression	SD	1
65	1-16382								Sleeve—Spring retaining	SD	1
66	3-19578								Sight Assembly—Folding post	SD	1
67	3-19577								Clamp Assembly—Gun sight	SD	1
68	AN515-8-8								Screw—Round head	SD	1
69	1-27726								Spring—Compression	SD	1
70	3-19578-1								Ball—3-16 diameter	SD	1
71	1-27706								Post—Gun sight	SD	1
72	AN22-12								Bolt—Clevis	SD	1
73	15-10411-4								Heater—Gun breach (Spec 24864) (Type J4) GFE	SD	1
74	D56355								Screw—Cap (Edgewater Steel Co.)	SD	2
75	41B2679								Adapter—Gun mount (Type E10) GFE	SD	1
76	NO NUMBER								Adapter Assembly (Type E11) GFE	PN	1
77	44D4853								Mount Assembly—Gun sight GFE	PN	1
78	44B12175								Sight Assembly—Gun (Type N8A) GFE	PN	1
79	42D19090								Adapter Assembly—Gun mount (Type C19) GFE	PN	1
80	44J11614								Mount Assembly—Gun (Type K6) GFE	PN	1
81	43A6953L								Mount—LH ammunition track (Type C3A) GFE	PN	1
82	6-16324-1								Chute Assembly—Flexible ammunition	PN	1
	LLB50-46								Chute (Smoot-Holman) GFE	PN	1
	LLB50G1								Adapter (Smoot-Holman) GFE	PN	1
	LLB50M3								Adapter (Smoot-Holman) GFE	PN	1
83	3-28805								Lock Assembly—Gun mount	PN	1

Section II
Group Assembly Parts List

AN 01-20EG-4

FUSELAGE
Radio Compartment Gun

Figure & Index No.	Part Number	1 2 3 4 5 6 7	Nomenclature	Usage Code	Units Per Assy.
147-84	3-28806		Plunger—Gun mount lock	PN	1
	83-1		Ring—Key (Seattle Hardware Co.)	PN	1
	44B25259		Heater Assembly (Type J4) GFE	MN	1
	NO NUMBER		Heater—Gun breech (Spec 24864) (Type J1)	AO	1
	55-6612		Installation—Top gun emplacement fairing (see fig. 67)	All	NP
	6-19359		Installation—Gun stowage latch	PN	NP
	3-28869		Plate Assembly—Gun stowage	PN	1
	3-28870		Spacer—Gun stowage latch	PN	1
	3-28871		Spring—Torsion	PN	1
	3-30111		Latch Assembly—Gun stowage	PN	1
85	3-28868		Latch—Gun stowage	PN	1
	AN4-21A		Bolt—Aircraft	PN	1
86	15-16028		Installation—Gun mount fitting	PN	NP
	3-28790		Fitting—Gun mount	PN	2
87	AN4-6A		Bolt—Aircraft	PN	4
88	9-8951		Fitting—Gun mount	PN	2
89	AN4-11A		Bolt—Aircraft	PN	2
	AN4-14A		Bolt—Aircraft	PN	4

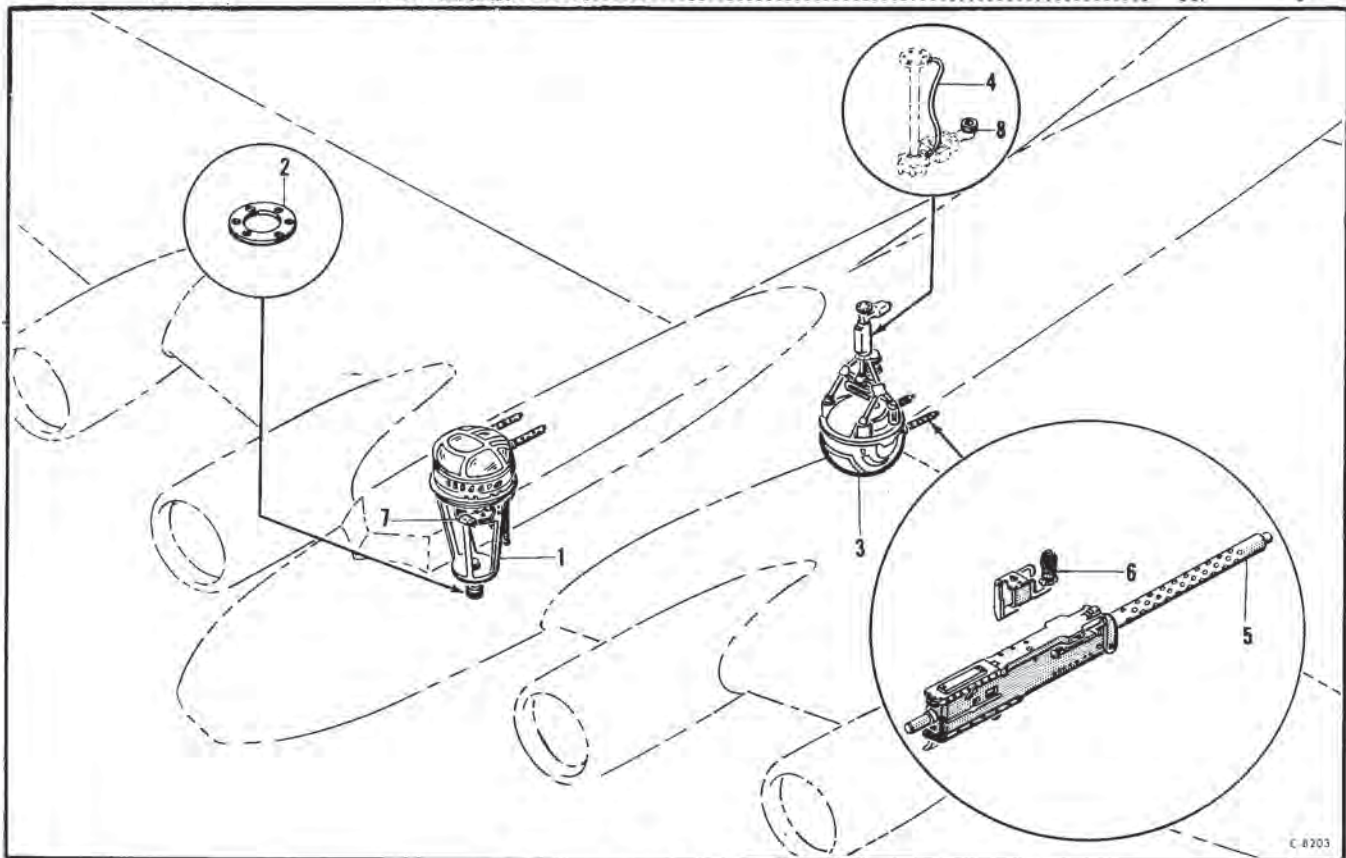


Figure 148—Power Turrets

Power Turrets

Figure & Index No.	Part Number	1 2 3 4 5 6 7	Nomenclature	Usage Code	Units Per Assy.
			Power Turrets		
148-1	55-7521		Installation—Power turret	All	NP
	SP2475		Turret Assembly—Upper (Type A1A) (Sperry) GFE	DC	1
2	SF4720		Turret Assembly—Upper (Type A1B) (Sperry) GFE	OO	1
	55-7521-11		Shim	All	AR
3	55-7521-12		Shim	All	AR
	55-7521-13		Shim	All	AR
4	55-7521-400		Shim	All	AR
	645849J		Turret Assembly—Lower (Type A-2) (Sperry) GFE	U	1
5	30126		Turret Assembly—Lower (Type A2A) (Sperry) GFE	OG	1
	55-7521-410		Ground Assembly	OG	1
6	M2		Gun—50 caliber machine GFE	All	4
	44B25259		Heater Assembly—Electric gun (lower turret) (Spec 24946) (Type J-4) GFE	ZE	2
7	97-5103-12S35		Receptacle (American Phenolic Corp.)	MN	2
	7545		Plug (Harvey Hubbell)	QE	1
8	066424		Nipple	IQ	1

FUSELAGE

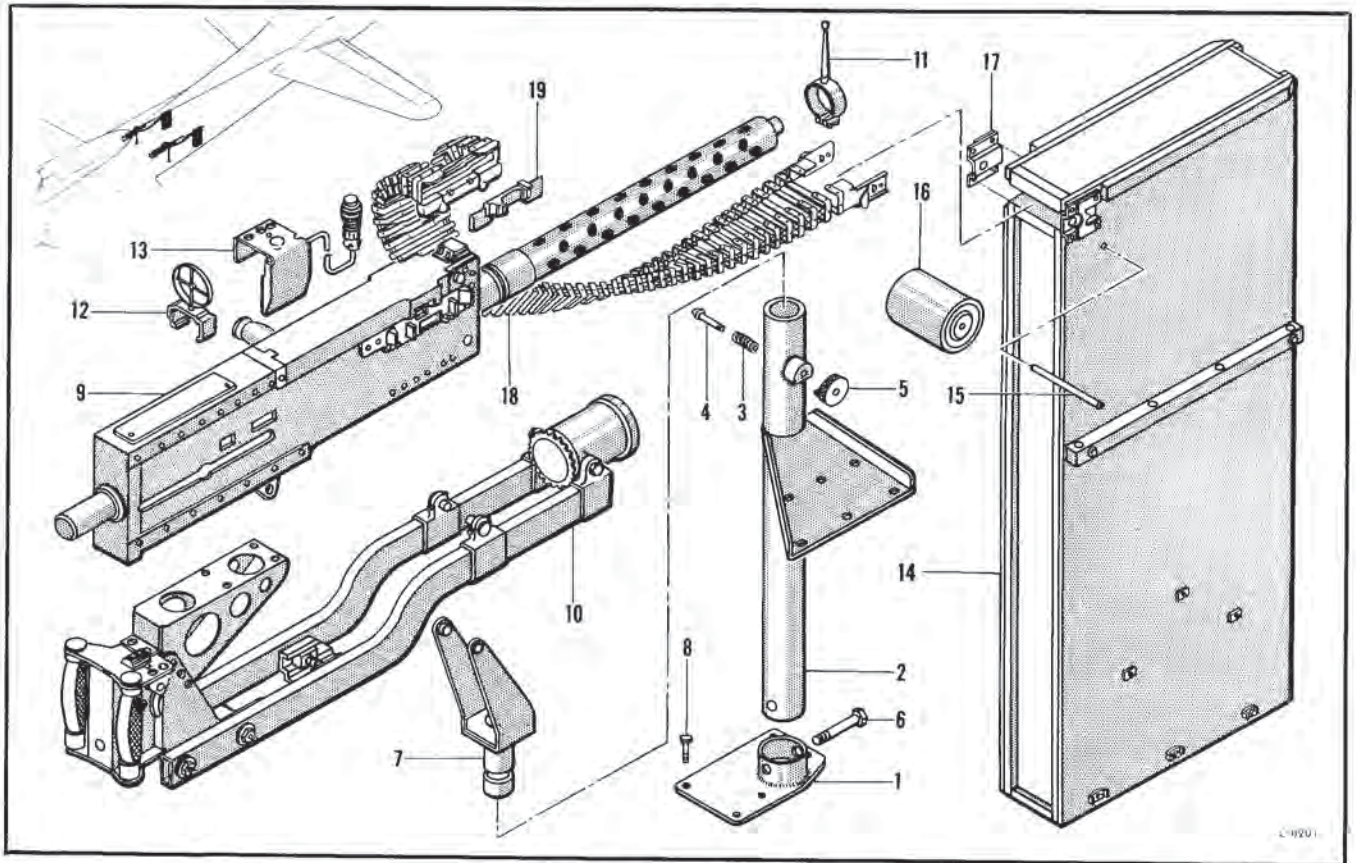
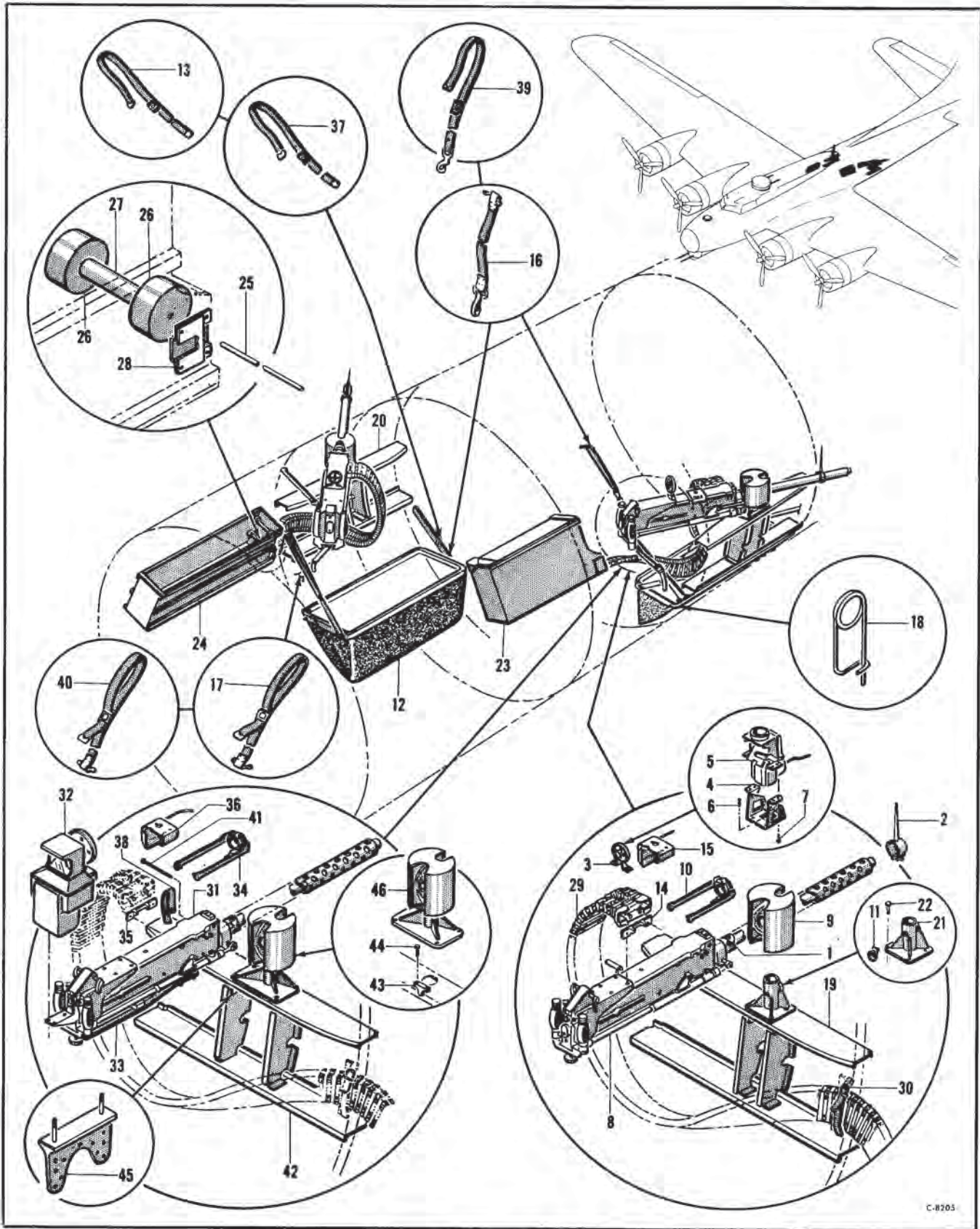


Figure 149—Waist Guns

Waist Guns

Figure & Index No.	Part Number	1	2	3	4	5	6	7	Nomenclature	Usage Code	Units Per Assy.
	15-8785								Waist Guns		
	15-8785-1								Installation—Side gun (LH)	T	NP
	15-8785-5								Installation—Side gun (RH)	T	NP
	15-8785-6								Mount Assembly (LH)	T	1
149-1	1-22622								Mount Assembly (RH)	T	1
	1-22622-1								Base Assembly—Side gun mount LH	T	1
	6-10737								Base Assembly—Side gun mount RH	T	1
	6-10737-1								Post Assembly—Gun mount LH	T	1
	6-10737-2								Post Assembly—Gun mount RH	T	1
2	6-10737-3								Post Assembly (LH)	T	1
3	1-22609								Post Assembly (RH)	T	1
4	1-22610								Spring—Gun mount	T	1
5	1-22613								Plunger—Gun mount	T	1
6	NAS56A31								Knob Assembly—Gun mount	T	1
	AN365-624								Bolt—Close tolerance	T	1
7	6-10736								Nut—Self-locking	T	1
	1-22621								Yoke Assembly—Gun mount	T	1
8	AN3-5A								Bushing—Gun mount	T	1
	AN365-1032								Bolt—Aircraft	T	2
9	M2								Nut—Self-locking	T	5
10	41K3650								Gun—50 caliber machine GFE (see T.O. 11-1-8)	T	5
11	37A5810								Adapter (Type E-8) GFE	T	1
12	37A5811								Sight (Type A-5) GFE	T	1
13	NO NUMBER								Sight (Type B-11) GFE	T	1
	NO NUMBER								Heater—Gun breech (LH) (Spec 24864) (Type J-1 RH) GFE	T	1
	15-10606								Heater—Gun breech (RH) (Spec 24864) (Type J-1 LH) GFE	T	1
14	15-10605								Installation—Side guns ammunition box	OA	NP
	15-13098								Box Assembly—Side guns ammunition (LH)	J	1
	15-10605-1								Box Assembly—Side guns ammunition (LH)	KF	1
	15-13098-1								Box Assembly—Side guns ammunition (RH)	J	1
15	1-23072								Box Assembly—Side guns ammunition (RH)	KF	1
	1-30403								Rod—Roller ammunition box	J	1
16	3-13797								Rod—Roller ammunition box	KF	1
17	3-20562								Roller Assembly—Ammunition box	OA	1
18	6-16324-1								Support Assembly—Ammunition track	OA	1
	LLB50G1								Chute Assembly—Flexible ammunition	OA	2
	LLB50M3								Adapter—Gun end (Smoot-Holman) GFE	OA	2
	LLB50-46								Adapter—Box end (Smoot-Holman) GFE	OA	1
19	39B3905L								Chute (Smoot-Holman) GFE	OA	1
	39B3905R								Adapter (Type C-3) GFE	OA	1
									Adapter (Type C-3) GFE	OA	1

FUSELAGE



C-8703

Figure 150—Waist Guns

AN 01-20EG-4

FUSELAGE

Waist Guns

Figure & Index No.	Part Number	1 2 3 4 5 6 7	Nomenclature	Usage Code	Units Per Assy.
			Waist Guns.....		
	15-13954		Installation—50 caliber waist gun.....	JJ	NP
150-1	M2		Gun—50 caliber machine (see T.O. 11-1-8).....	JJ	2
2	43B15240		Sight Assembly—Gun post (Type A-12) GFE.....	DJ	2
	AN500-10-20		Screw—Fillister head.....	DJ	4
3	42B8318		Sight—Gun ring (Type B-13).....	DJ	2
	AN3-13A		Bolt—Aircraft.....	DJ	2
	3-27000-1		Spacer—Gun ring sight.....	DJ	2
4	44D4853		Mount Assembly—Gunsight (Type C-5) GFE.....	HO	2
5	44B12175		Sight Assembly—Gun (Type N-8A).....	HO	2
6	AN500-10-10		Screw—Fillister head.....	HO	8
7	AN4-5A		Bolt—Aircraft.....	HO	8
8	NO NUMBER		Adapter Assembly (Type E-11) GFE.....	JJ	2
9	44J4367		Mount Assembly—Gun (Type K-6) GFE.....	AJ	2
	44J11614		Mount Assembly—Gun (Type K-6A) GFE.....	ON	2
	6-22010		Mount Assembly—Waist guns.....	QP	2
	44J1164		Mount Assembly (Type K-6A) GFE.....	QP	1
10	42D19090		Adapter Assembly—Gun mount (Type C-19) GFE.....	FJ	2
	44D25364		Adapter Assembly—Gun mount (Type C-19A) GFE.....	QP	2
11	3-26079		Lock Assembly—Gun mount.....	JJ	2
	AN515-10R4		Screw—Round head.....	JJ	2
12	15-13958		Container Assembly—Link and case.....	QK	2
13	3-26118		Strap Assembly—Web.....	QK	2
14	37B2675		Mount—Ammunition (LH) (Type C-2) GFE.....	TI	1
	43A6953L		Mount—Ammunition (LH) (Type C-3A) GFE.....	ZK	1
	37B2675-1		Mount—Ammunition (RH) (Type C-2) GFE.....	TI	1
	43A6953R		Mount—Ammunition (RH) (Type C-3A) GFE.....	ZK	1
15	NO NUMBER		Heater—Gun breech (Type J-1 LH) GFE.....	LJ	1
	NO NUMBER		Heater—Gun breech (Type J-1 RH) GFE.....	LJ	1
	44B25259		Heater Assembly (Type J-4) GFE.....	MN	2
16	3-27011		Strap Assembly—Gun stowage.....	JJ	2
17	3-27012		Strap Assembly—Gun stowage.....	JJ	2
	AN510-10R10		Screw—Flat head.....	JJ	8
18	3-20848		Pin—Safety retaining.....	JJ	4
	AN365-1032		Nut—Self-locking.....	JJ	2
19	9-6481-2		Support Assembly—Gun mount LH (see fig. 79).....	JJ	Ref
20	9-6482-2		Support Assembly—Gun mount RH (see fig. 79).....	JJ	Ref
21	6-17023		Support Assembly—Gun mount.....	JJ	1
22	AN5-10A		Bolt—Aircraft.....	JJ	4
	15-13247		Installation—Waist gun ammunition box LH.....	KJ	NP
	15-13248		Installation—Waist gun box RH.....	KJ	NP
23	15-13085		Box Assembly—Gun ammunition LH.....	KJ	1
24	15-13264		Box Assembly—Waist gun ammunition RH.....	KJ	1
25	1-30403-2		Rod—Ammunition box roller.....	KJ	2
26	3-21396		Roller—Ammunition box.....	KJ	4
27	3-21396-1		Roller—Ammunition box.....	KJ	2
28	3-20562		Support Assembly—Ammunition track.....	KJ	2
29	6-16324-4		Chute Assembly—Flexible ammunition (LH).....	KJ	1
	6-16324-3		Chute Assembly—Flexible ammunition (RH).....	KJ	1
	LLB50G1		Adapter—Gun end (Smoot-Holman) GFE.....	KJ	1
	LLB50M3		Adapter—Box end (Smoot-Holman) GFE.....	KJ	1
	LLB50-80		Chute—Flexible ammunition (LH) (Smoot-Holman) GFE.....	KJ	1
	LLB50-76		Chute—Flexible ammunition (RH) (Smoot-Holman) GFE.....	KJ	1
30	1-22707-28		Strap Assembly—3-4 wide.....	KJ	1
	15-18376		Installation—50 caliber waist gun.....	WQ	NP
31	M2		Gun—50 caliber machine GFE (see T.O. 11-1-8).....	WQ	2
32	659060		Sight (Sperry) (Type K-13) GFE (see AN11-35A-17).....	WQ	2
33	7-44-6631		Adapter Assembly (Type E-13) GFE.....	WQ	2
	3-32557		Screw—Number 10 special.....	WQ	2
	3-32557-1		Screw—Number 10 special.....	WQ	4
34	44D25364		Adapter Assembly—Gun mount (Type C19A) GFE.....	WQ	2
35	43A6953L		Mount—Ammunition (Type C-3A) (LH) GFE.....	WQ	1
	43A6953R		Mount—Ammunition (Type C-3A) (RH) GFE.....	WQ	1
36	44B25259		Heater Assembly (Type J-4) GFE.....	WQ	2
	15-13958		Container Assembly—Link and case.....	WQ	2
37	3-26118		Strap Assembly—Web.....	WQ	2
38	6-22681		Deflector—Flexible cable.....	WQ	2
39	6-22090		Strap Assembly—Gun stowage.....	WQ	2
40	3-27012		Strap Assembly—Gun stowage.....	WQ	1
	AN510-10R10		Screw—Flat head.....	WQ	2
41	3-34255		Bolt—9-16 special.....	WQ	2
42	12-1199-1		Mount Assembly—Waist gun LH (see fig. 79).....	WQ	Ref
	12-1198-1		Mount Assembly—Waist gun RH (see fig. 79).....	WQ	Ref
	9-10696		Beam Assembly—Waist gun LH.....	WQ	1
	9-10695		Beam Assembly—Waist gun RH.....	WQ	1
43	3-32815		Stop—K-7 gun mount.....	WQ	1
44	AN4-6A		Bolt—Aircraft.....	WQ	2
	6-22016		Web Assembly—Waist gun LH.....	WQ	1
	6-22015		Web Assembly—Waist gun RH.....	WQ	1
	6-22016-3		Web Assembly—Waist gun LH.....	WQ	1
	6-22015-3		Web Assembly—Waist gun RH.....	WQ	1
45	3-32824		Fitting Assembly—Gun mount support.....	WQ	1
	AN365-524		Nut—Self-locking.....	WQ	4
46	6-22114		Mount—Waist gun (make from mount assembly 659289 Type K-7 Sperry).....	WQ	1

FUSELAGE

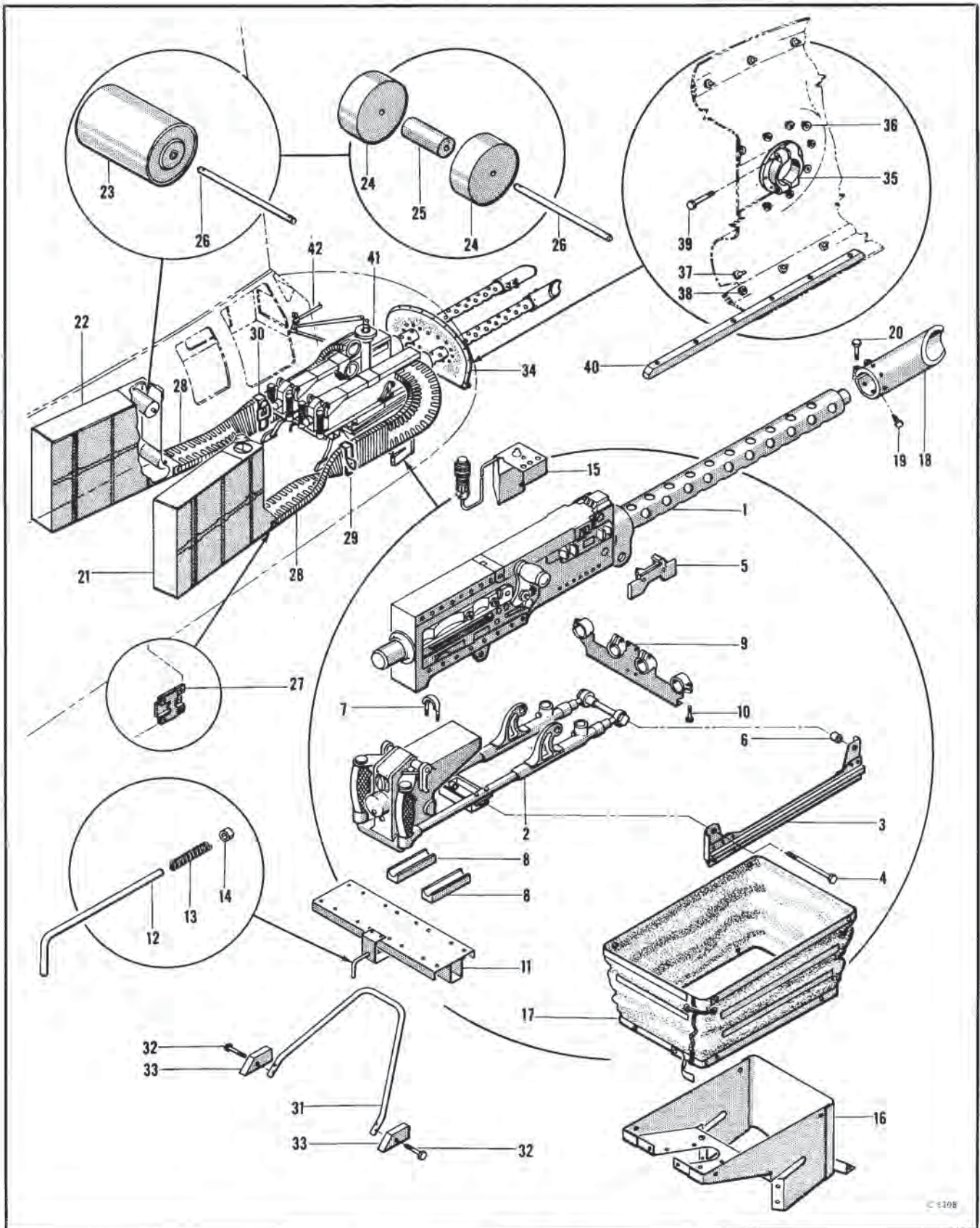


Figure 151—Tail Gun Equipment

AN 01-20EG-4

FUSELAGE

Tail Gun Equipment

Figure & Index No.	Part Number	1 2 3 4 5 6 7	Nomenclature	Usage Code	Units Per Assy.
			Tail Gun Equipment		
	9-3610		Installation—Rear gun	PB	NP
151-1	M2		Gun—50 caliber machine	PB	2
2	NO NUMBER		Adapter Assembly (Spec 24730) (Type E-11) GFE	PB	2
3	3-13532		Support Assembly—Ammunition feed (LH gun)	PB	1
	3-13532-1		Support Assembly—Ammunition feed (RH gun)	PB	1
4	NAS57S435		Bolt—Close tolerance	PB	2
5	37B2675-1		Mount—Ammunition (Type C-2) (LH gun)	OA	1
	43A6953R		Mount Assembly (Type C3A RH) (LH gun)	WI	q
	37B2675-1		Mount—Ammunition (Type C-2) (RH gun)	OA	1
	43A6953L		Mount Assembly (Type C3A LH) (RH gun)	WI	1
6	1-18169-38		Spacer—9-16 bolt	PB	2
7	BAC543-12-16		Clamp—Tube strap	PB	8
	AN365-1032		Nut—Self-locking	PB	16
8	1-18407		Spacer—Rear gun	PB	4
	6-9589		Support Assembly—Rear gun	PB	1
9	6-9589-1		Weld Assembly	PB	1
10	AN3-7A		Bolt—Aircraft	PB	4
	AN365-1032		Nut—Self-locking	PB	4
11	6-13378		Channel Assembly—Rear gun stowage	PB	1
12	1-27399		Lever—Rear gun stowage	PB	1
13	1-27603		Spring—Compression	PB	1
14	1-27602		Collar—Rear gun stowage	PB	1
15	NO NUMBER		Heater—Gun breech (Spec 24864) (Type J-1 LH) (LH gun)	PB	1
	NO NUMBER		Heater—Gun breech (Spec 24864) (Type J-1 RH) (RH gun)	PB	1
	15-7777		Installation—Tail gun chute	PB	NP
16	15-7776		Chute Assembly—Tail gun	PB	1
17	15-7775		Hopper Assembly—Tail gun	PB	1
	6-9622		Installation—50 caliber gun stabilizer	PB	NP
18	3-14078		Stabilizer Assembly—50 caliber gun (LH gun)	PB	1
	3-14078-1		Stabilizer Assembly—50 caliber gun (RH gun)	PB	1
19	1-20065		Bolt—5-16 24 special	PB	4
20	AN4-13		Bolt—Aircraft	PB	4
	AN310-4		Nut—Aircraft castle	PB	4
	15-7524		Installation—Ammunition box and track (LH)	PB	NP
	15-7524-1		Installation—Ammunition box and track (RH)	PB	NP
21	15-7486		Box Assembly—50 caliber ammunition (LH)	PB	1
22	15-7486-1		Box Assembly—50 caliber ammunition (RH)	PB	1
23	3-13797		Roller Assembly—Ammunition box	OA	2
24	3-21396		Roller—Ammunition box	KJ	4
25	3-21396-1		Roller—Ammunition box	KJ	2
26	1-30403		Rod—Roller ammunition box	PB	2
27	3-20562		Support Assembly—Ammunition box	PB	2
28	6-16324-2		Chute Assembly—Flexible ammunition	PB	1
	LLB50G1		Adapter—Gun end (Smoot-Holman) GFE	PB	1
	LLB60M3		Adapter—Box end (Smoot-Holman) GFE	PB	1
	LLB50-63		Chute (Smoot-Holman) GFE	PB	1
29	3-21907		Strap Assembly—Flexible chute (LH)	PB	1
30	3-21907-1		Strap Assembly—Flexible chute (RH)	PB	1
	15-7360-83		Enclosure Assembly—Rear gun (see fig. 81)	PB	Ref
	15-7360-90		Enclosure Assembly—Rear gun (see fig. 81)	KM	Ref
	15-7360-84		Shell Assembly—Lower	PB	1
	9-3680		Installation—Rear gun stowage support	PB	NP
31	6-9446		Brace Assembly—Rear gun stowage	PB	1
32	AN3-16		Bolt—Aircraft	PB	2
33	9-3680-2		Spacer	PB	2
	AN310-3		Nut—Aircraft castle	PB	2
	15-7520		Installation—Tail gun cover	All	NP
34	15-7520-35		Cover Assembly—Tail gun	All	1
	15-7520-33		Cover Assembly	All	1
35	1-18295		Collar—Tail gun cover	All	4
36	AN227-8B		Stud—Wire spring clamp type	All	16
	AN227-9B		Eyelet—Wire spring clamp type	All	16
	15-7520-36		Frame Assembly	All	1
37	AN227-19BL		Stud—Large curtain type post	All	22
	AN227-20B		Plate—Large curtain type	All	22
38	AN227-15BS		Socket—Large curtain type	All	22
	AN227-16B		Plate—Large curtain type	All	22
39	AN3-13A		Bolt—Aircraft	All	4
40	1-24206		Block—Tail gun rub	WI	1
41	15-7518-1		Mount Assembly—Rear gun (see fig. 80)	PB	Ref
42	15-7516		Installation—Rear gun sight (see fig. 152)	PB	NP

Section I I
Group Assembly Parts List

AN 01-20EG-4

FUSELAGE

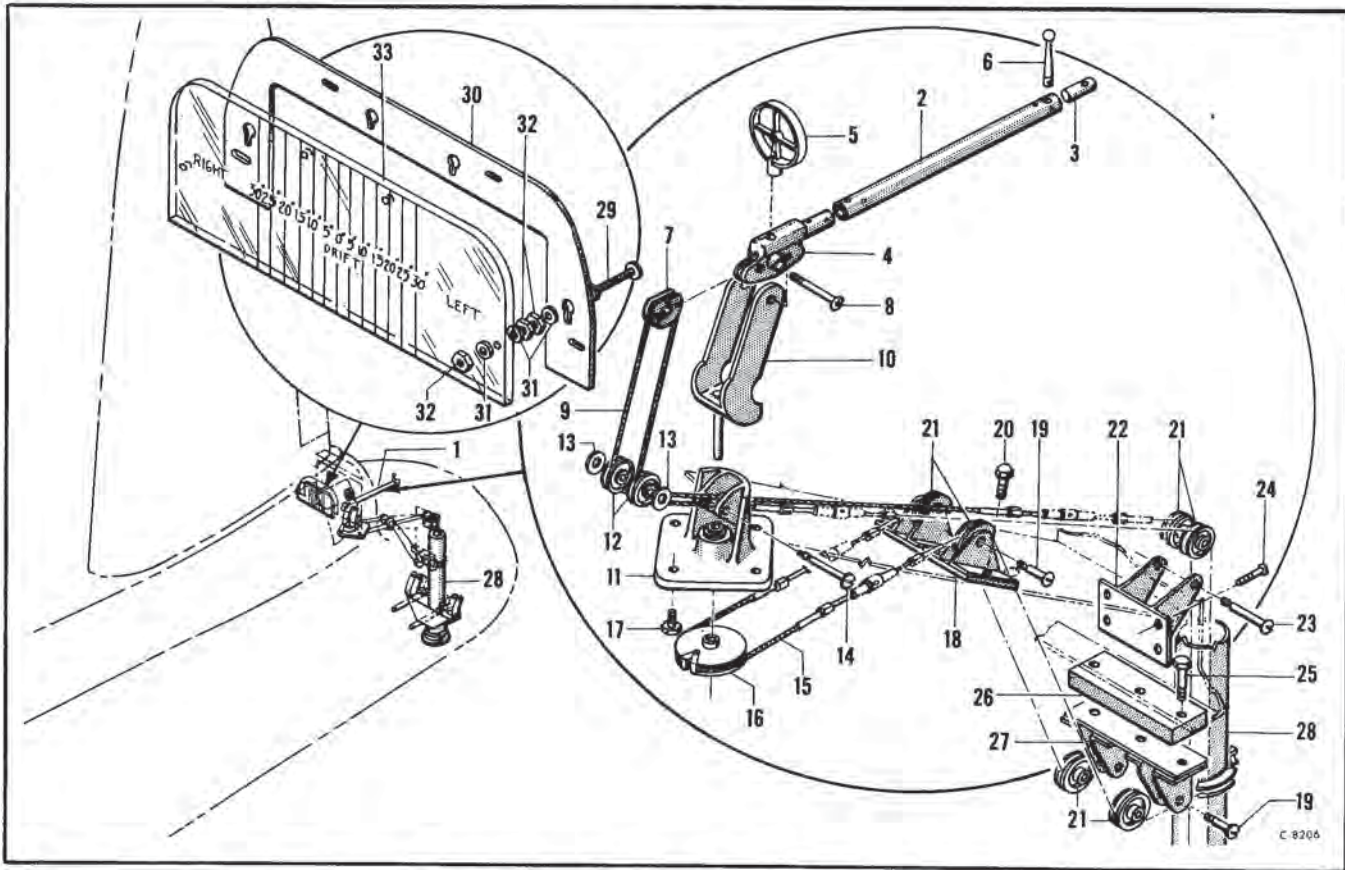


Figure 152—Tail Gun Sighting Equipment

Tail Gun Sighting Equipment

Figure & Index No.	Part Number	1	2	3	4	5	6	7	Nomenclature	Usage Code	Units Per Assy.
									Tail Gun Sighting Equipment		
	55-7377								Fuselage Assembly (see fig. 71)	All	Ref
	15-7360-83								Enclosure Assembly—Tail gun (see fig. 81)	PB	Ref
	15-7516								Installation—Rear gun sight	PB	NP
152-1	3-13519-5								Sight Assembly—Rear gun	PB	1
2	3-13519-2								Tube	PB	1
3	3-13519-1								Plug	PB	1
4	1-18296-4								Fitting—Rear gun sight	PB	1
5	1-22607								Sight Assembly—Gun ring	PB	1
6	1-18302								Head—Rear gun sight	PB	1
7	1-26403-2								Quadrant—Rear gun sight	PB	1
8	AN3-15								Bolt—Aircraft	PB	1
9	3-13519-3								Cable Assembly	PB	1
	15-7516-1								Mount Assembly	PB	1
10	1-19087-4								Yoke Assembly—Sight mount	PB	1
11	1-18280								Support Assembly—Gun sight	PB	1
	AN201K4A								Bearing—Ball	PB	1
12	AN210-1A								Pulley—Anti-friction bearing control	PB	2
13	41-5951-40-13								Washer	PB	2
14	AN23-22								Bolt—Clevis	PB	1
15	15-7516-4								Pulley Assembly—Rear gun sight	PB	1
16	1-19083								Pulley Assembly	PB	1
17	AN3-5A								Bolt—Aircraft	PB	4
18	1-18263								Bracket Assembly—Control pulley	PB	1
19	AN23-13								Bolt—Clevis	PB	3
20	AN3-5A								Bolt—Aircraft	PB	3
21	AN210-1A								Pulley—Anti-friction bearing control	PB	6
22	1-18253								Bracket—Control pulley	PB	1
23	AN23-17								Bolt—Clevis	PB	1
24	AN520-10R8								Screw—Round head	PB	4
25	AN3-11A								Bolt—Aircraft	PB	3
26	1-18319								Spacer—Micarta	PB	1
27	1-18264								Bracket Assembly—Control pulley	PB	1
	15-7518								Installation—Rear gun mount	PB	NP
28	15-7518-1								Mount Assembly (see fig. 80)	PB	1
	15-10422								Installation—Rear gunners azimuth scale	PB	NP
29	AN526-1032-24								Screw—Truss head	PB	4
30	6-13181								Support—Azimuth scale	PB	1
31	AN960-10L								Washer—Plain	PB	16
32	AN364-1032								Nut—Self-locking	PB	12
33	6-13183								Scale—Azimuth	PB	1

FUSELAGE

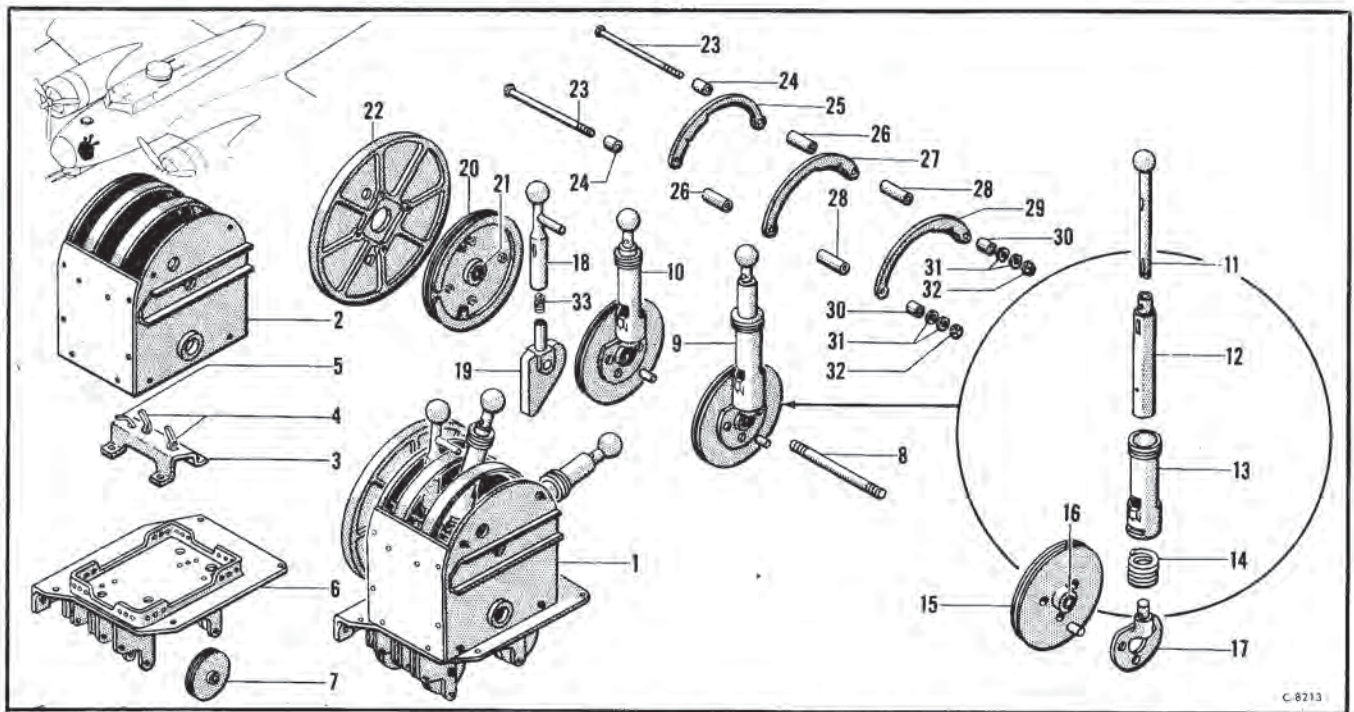


Figure 153—Bombardiers Stand Assembly

Bombardiers Stand Assembly

Figure & Index No.	Part Number	1	2	3	4	5	6	7	Nomenclature	Usage Code	Units Per Assy.
153-1	15-10626-1								Stand Assembly—Bombardiers (see fig. 159)	HA	Ref
2	9-5785								Cover Assembly—Control stand	HA	1
	6-13677								Switch Assembly—Bomb lock	HA	1
3	3-19951								Bracket—Bomb lock	HA	1
4	41A10712								Switch Assembly (Cutler-Hammer)	HA	2
5	8905K618								Switch Assembly (Cutler-Hammer)	HA	1
6	15-11151								Bracket—Control stand	HA	1
7	AN210-2A								Pulley—Anti-friction bearing control	HA	6
8	1-27939								Stud—Control stand	HA	1
9	6-13542								Handle Assembly—Bomb release	HA	1
10	6-13541								Handle Assembly—Bomb release	HA	1
11	3-19862								Arm Assembly—Release handle (used on 6-13542)	HA	1
	3-19861								Arm Assembly—Release handle (used on 6-13541)	HA	1
12	1-27943								Sleeve—Release handle (used on 6-13542)	HA	1
	1-27942								Sleeve—Release handle (used on 6-13541)	HA	1
13	3-19860-2								Lock—Release handle	HA	1
14	1-21547								Spring—Release handle	HA	1
15	6-13542-1								Sheave Assembly (used on 6-13542)	HA	1
	6-13541-1								Sheave Assembly (used on 6-13541)	HA	1
16	AT5								Bearing—Needle (Torrington)	HA	1
17	3-19649								Base—Release handle	HA	1
	15-10626-2								Handle Assembly—Release	HA	1
18	3-19646								Handle—Release	HA	1
19	3-19647								Base—Release handle	HA	1
	6-13687								Wheel Assembly—Door rewind	HA	1
20	6-13687-1								Drum Assembly—Door rewind	HA	1
21	AT5								Bearing—Needle (Torrington)	HA	1
22	9-5775								Wheel—Bomb door control	HA	1
23	AN3-50								Bolt—Aircraft	HA	2
24	BAC1603-35								Spacer—Number 10 bolt	HA	2
25	1-27946								Sector—Door release	HA	1
26	BAC1603-85								Spacer—Number 10 bolt	HA	2
27	1-27945								Sector—Door release	HA	1
28	BAC1603-94								Spacer—Number 10 bolt	HA	2
29	1-27945-1								Sector—Door release	HA	1
30	BAC1603-45								Spacer—Number 10 bolt	HA	2
31	AN960D10L								Washer—Plain	HA	4
32	AN310-3								Nut—Aircraft castle	HA	2
33	1-28306								Spring—Compression	HA	1

FUSELAGE

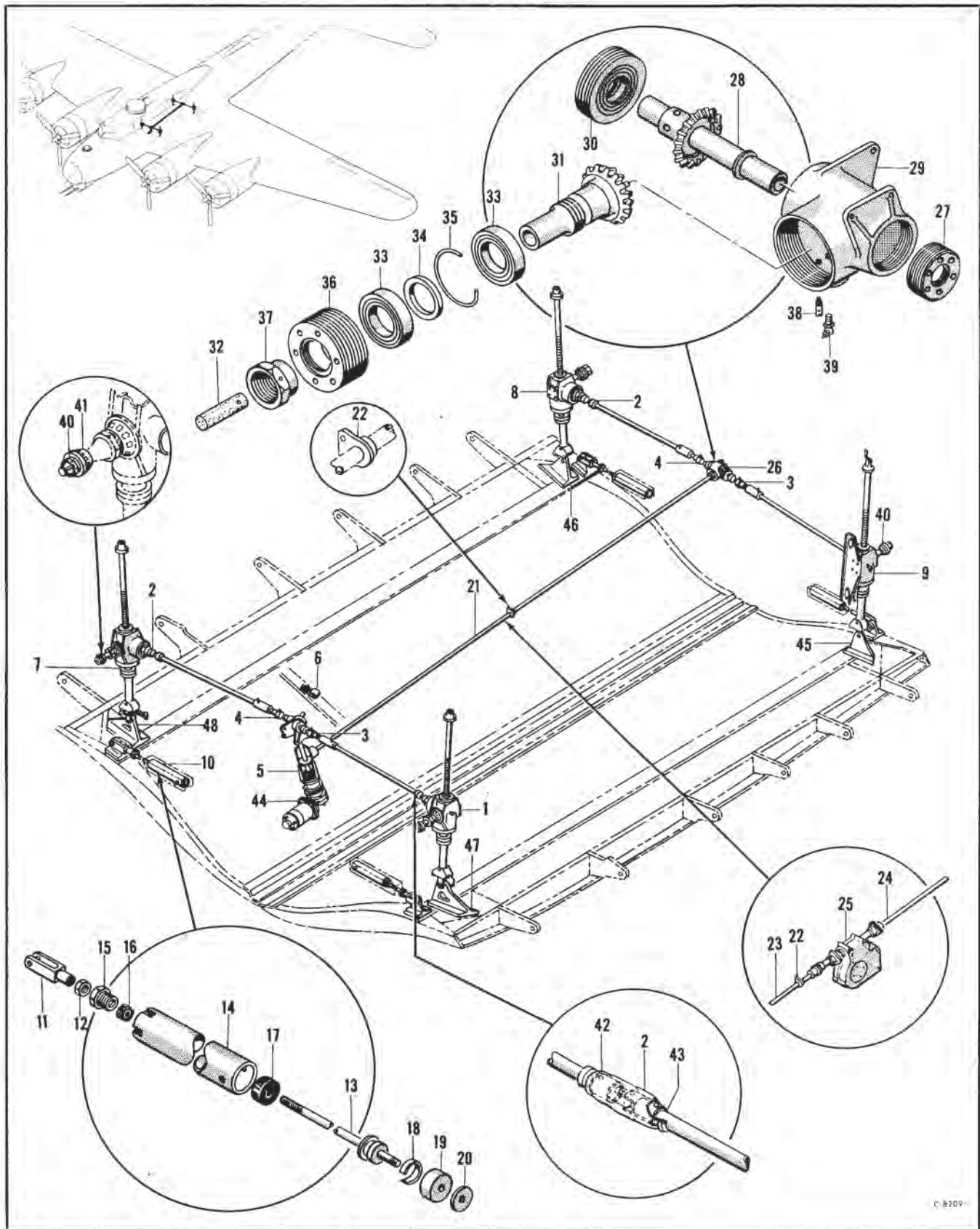


Figure 154—Bomb Door Control

AN 01-20EG-4

FUSELAGE

Bomb Door Control

Figure & Index No.	Part Number	1 2 3 4 5 6 7	Nomenclature	Usage Code	Units Per Assy.
			Bomb Door Control		
	65-4139-501		Installation—Bomb door control (see fig. 159)	All	NP
154-1	65-4127-504		Screw Assembly—Bomb door controls (see fig. 155)	All	1
	53-7977		Shaft Assembly—Bomb door controls	All	2
	53-7977-1		Shaft Assembly—Bomb door controls	All	2
2	53-7977-502		Joint Assembly	All	1
3	53-7977-503		Joint Assembly (used on 53-7977 only)	All	1
4	53-7977-504		Joint Assembly (used on 53-7977-1 only)	All	1
	270B16		Joint—Universal (used on 53-7977-502, -503 and -504)	OB	1
	44B6540		Joint—Universal (used on 53-7977-502, -503 and -504)	IM	1
	41-781i		Bushing—Univ joint adap (used on 53-7977-503 and -504)	All	1
	65-4101-502		Installation—Bomb door control gear	All	NP
5	65-4101-504		Gear Assembly (see fig. 156)	All	1
6	21-9587-5		Support Assembly—Bomb door crank	All	1
	A1317-1		Bearing—Oilite (Chrysler)	All	1
7	65-4127-503		Screw Assembly—Bomb door controls (see fig. 155)	All	1
8	65-4127-506		Screw Assembly—Bomb door controls (see fig. 155)	All	1
9	65-4127-508		Screw Assembly—Bomb door controls (see fig. 155)	OA	1
	65-4127-505		Screw Assembly—Bomb door controls (see fig. 155)	KJ	1
	6-8345-18		Installation—Bomb door check LH	All	NP
	6-8345-19		Installation—Bomb door check RH	All	NP
10	6-8345-20		Check Assembly	All	1
11	51-1107		Bolt—5-16 clevis	All	1
12	AN316-5R		Nut—Aircraft check	All	1
13	51-872-5		Rod Assembly—Bomb door check	All	1
14	6-8345-3		Cylinder Assembly—Weid	All	1
15	51-873		Nut—Packing	All	1
16	117		Packing (Garlock)	All	1
17	51-1108-36-10		Washer—1-2 neoprene	All	1
18	6-8345-15		Spring—Expander	All	1
19	48-9-808A		Washer—Cup (Graton and Knight Co.)	All	1
20	21-6588-80-21		Washer—188 steel	All	1
21	41-6608		Shaft Assembly—Bomb door controls	OA	1
22	41-9882		Bearing Assembly—Bomb door controls	All	1
	A542		Bearing (Fafnir)	All	1
23	3-24426		Shaft Assembly—Bomb door controls	KJ	1
	3-24424		Shaft—Coupling	KJ	1
24	3-24426-1		Shaft Assembly—Bomb door controls	KJ	1
	3-24424		Shaft—Coupling	KJ	1
25	15-13091		Installation—Bomb door limit switch (see fig. 157)	KJ	NP
	59-2018		Installation—Bomb door controls gear	All	NP
26	59-2018-500		Gear Assembly	All	1
27	21-9492		Bearing Assembly—Bomb door controls	All	1
	S8K		Bearing (Fafnir)	All	1
28	41-7995		Shaft Assembly—Bomb door controls	All	1
	43-7863-2		Gear—Bomb door controls set	All	1
29	46-4869		Housing—Bomb door controls	All	1
30	21-9491		Bearing Assembly—Bomb door controls	All	1
	S10K		Bearing (Fafnir)	All	1
31	41-7949		Gear—Bomb door controls	All	1
32	59-2018-400		Plug	All	1
	51-477		Bearing Assembly—Bomb door controls	All	1
33	S12FT		Bearing (Fafnir)	All	2
34	3-20792		Spacer—Bearing	All	1
35	3-23098		Ring—Retainer	All	1
36	51-476		Retainer Assembly—Bomb door controls	All	1
37	41-7956		Nut—1 1-4 12 special	All	1
38	51-778		Screw—Set	HA	3
	AN565B10-4		Screw—Headless set	JI	3
39	AN286-4		Fitting—Lubricator	All	1
40	41-9868		Seal—Bearing	All	4
41	A4050		Cone (Timken Roller Bearing Co.)	All	4
	21-9751-16		Installation—Universal grease boot	VI	NP
42	21-9751-8A		Boot	VI	1
43	41-7811		Bushing—Joint adapter	All	8
44	1073-1A		Motor—Bomb door (Eclipse) (see T.O. 03-1-5) (see fig. 113)	MB	Ref
	1073-1B		Motor—Bomb door (Eclipse) (see T.O. 03-1-5) (see fig. 113)	FM	Ref
45	3-11771		Fitting Assembly—Bomb door front (LH) (see fig. 72)	All	Ref
46	3-11771-1		Fitting Assembly—Bomb door front (RH) (see fig. 72)	All	Ref
47	3-11770		Fitting Assembly—Bomb door rear (LH) (see fig. 72)	All	Ref
48	3-11770-1		Fitting Assembly—Bomb door rear (RH) (see fig. 72)	All	Ref

FUSELAGE

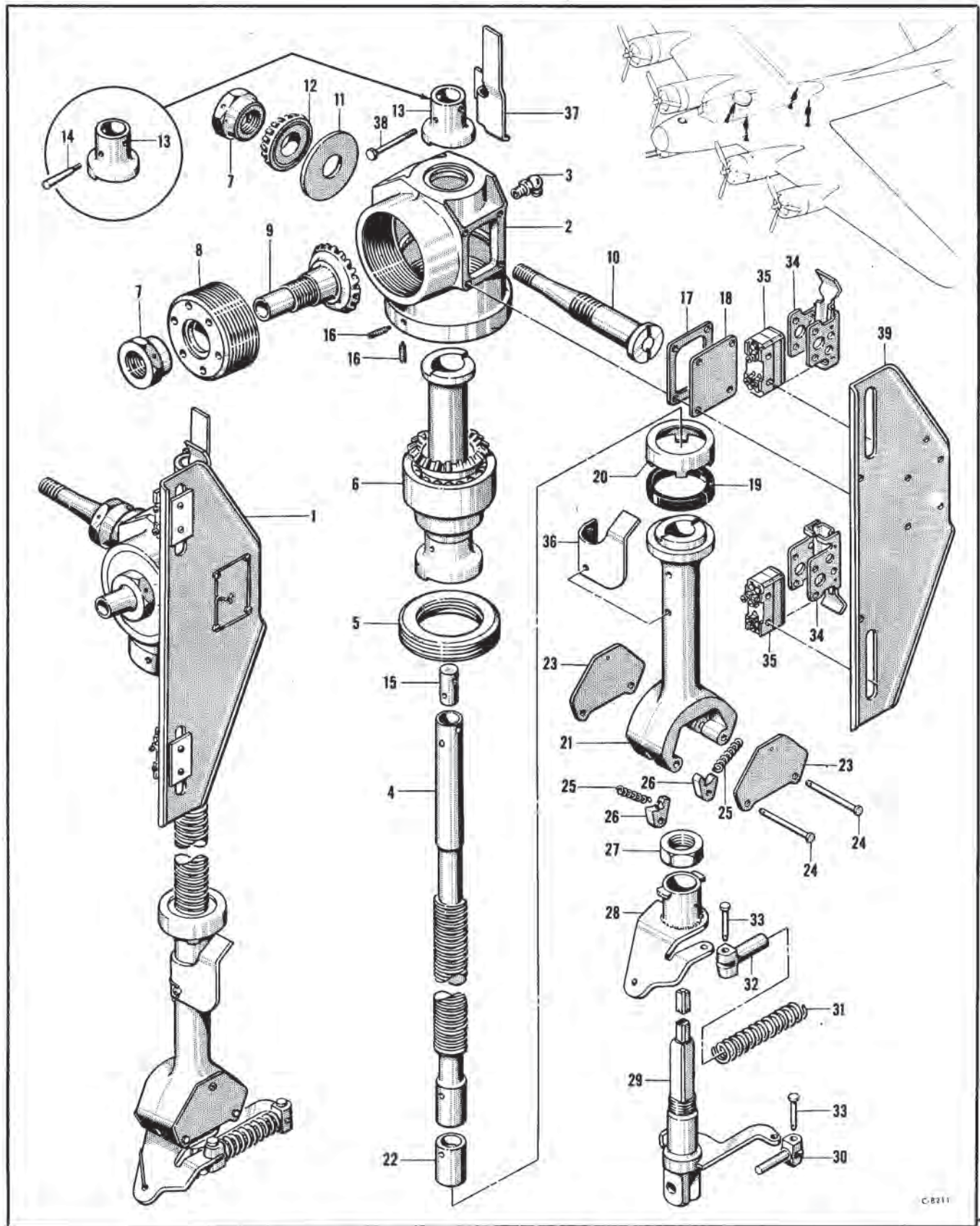


Figure 155—Bomb Door Controls Screw Assembly

AN 01-20EG-4

FUSELAGE

Bomb Door Controls Screw Assembly

Figure & Index No.	Part Number	1 2 3 4 5 6 7	Nomenclature	Usage Code	Units Per Assy.
	65-4127-503		Screw Assembly—Bomb door controls (see fig. 154)	All	Ref
	65-4127-504		Screw Assembly—Bomb door controls (see fig. 154)	All	Ref
	65-4127-506		Screw Assembly—Bomb door controls (see fig. 154)	All	Ref
155-1	65-4127-508		Screw Assembly—Bomb door controls (see fig. 154)	OA	Ref
	65-4127-505		Screw Assembly—Bomb door controls (see fig. 154)	KJ	Ref
	46-4911		Housing Assembly—Bomb door controls (used on 65-4127-504 and -506)	All	1
2	46-4911-1		Housing Assy—Bomb door controls (used on 65-4127-503, -508 and -505)	All	1
	46-4911-2		Housing (used on 46-4911)	All	1
	46-4911-3		Housing (used on 46-4911-1)	All	1
	46-4911-4		Washer	All	1
3	AN286-4		Fitting—Lubricator	All	1
4	3-15109-2		Screw—Bomb door control (LH thread) (used on 65-4127-504, -508 and -505)	All	1
	3-15109-3		Screw—Bomb door control (RH thread) (used on 65-4127-503 and -506)	All	1
5	41-9892		Retainer Assembly—Bomb door controls	All	1
6	43-7935-400		Nut Assembly—Bomb door control (used on 65-4127-504, -508 and -505)	All	1
	43-7935-401		Nut Assembly—Bomb door control (used on 65-4127-503 and 506)	All	1
	3-7934-1		Gear—Bomb door controls	All	1
	5207		Bearing—Ball (Fafnir)	All	1
7	41-8267		Nut—Special	All	2
8	21-9672		Bearing Assembly—Bomb door controls	All	1
	5205		Bearing—Ball (Fafnir)	All	1
9	3-7934-2		Gear Assembly—Bomb door controls	All	1
10	21-9683		Shaft—Bomb door controls	All	1
11	21-9824		Seal Assembly—Bomb door controls	All	1
12	07067		Cone—Roller bearing	All	1
13	21-9677		Stop—Bomb door controls (used on 65-4127-504, -508 and -505)	All	1
	21-9677-1		Stop—Bomb door controls (used on 65-4127-503 and -506)	All	1
14	AN386-1-8		Pin—Threaded taper (used on all but 65-4127-508)	All	2
15	65-4127-500		Plug	All	1
16	51-778		Screw—Set	HA	2
	AN565B10-4		Screw	JI	2
17	65-4127-6		Gasket	All	1
18	21-9682		Plate—Bomb door controls	All	1
	AN500A10-6		Screw—Fillister head (used on all but 65-4127-508)	All	4
	41-7584		Stop Assembly—Bomb door control (used on 65-4127-504, -508 and -505)	All	1
	41-7584-1		Stop Assembly—Bomb door control (used on 65-4127-503 and -506)	All	1
19	41-7584-2		Washer—Shock	All	1
20	41-7584-3		Cover	All	1
21	6-7198		Fitting—Bomb door controls (used on 41-7584)	All	1
	6-7198-1		Fitting—Bomb door controls (used on 41-7584-1)	All	1
22	41-6826		Guide—Bomb door controls	All	1
	AN502-416-4		Screw—Drilled fillister head	All	6
23	41-6659		Plate—Bomb door control	All	2
	AN500-8-4		Screw—Fillister head	All	2
24	AN393-55		Pin—Flat head	All	2
25	21-9886		Spring—Compression	All	2
	21-9862		Catch—Bomb door controls (used on 65-4127-504 and -506)	All	2
26	21-9862-1		Catch—Bomb door controls (used on 65-4127-503, -508 & -505)	All	2
27	41-6825		Nut—7-8 14 special	All	1
	3-9778		Collar Assembly—Bomb door controls (used on 65-4127-504 and -506)	All	1
28	3-9778-1		Collar Assembly—Bomb door controls (used on 65-4127-503, -508 and -505)	All	1
	6-8130		Terminal Assembly—Bomb door controls (used on 65-4127-504 and -506)	All	1
29	6-8130-1		Terminal Assembly—Bomb door controls (used on 65-4127-503, -508 and -505)	All	1
30	21-9861		Guide—Bomb door controls	All	1
31	21-9678		Spring—Compression	All	1
32	21-9860		Guide—Bomb door controls	All	1
33	AN392-25		Pin—Flat head	All	2
	6-11999		Installation—Bomb door switch (used on 65-4127-508)	OA	NP
	6-11999-3		Switch Assembly	OA	2
34	9-10831		Actuator (Micro Switch)	OA	1
35	WZR31		Switch (Micro Switch)	OA	1
36	1-25568-1		Striker—Limit switch	OA	1
	AN505-416-6		Screw—Flat head	OA	2
37	1-25567-1		Striker—Limit switch	OA	1
38	NAS54A13		Boit—Close tolerance	OA	2
39	3-17015		Bracket—Limit switch	OA	1
	AN500A10-7		Screw—Fillister head	OA	4

FUSELAGE

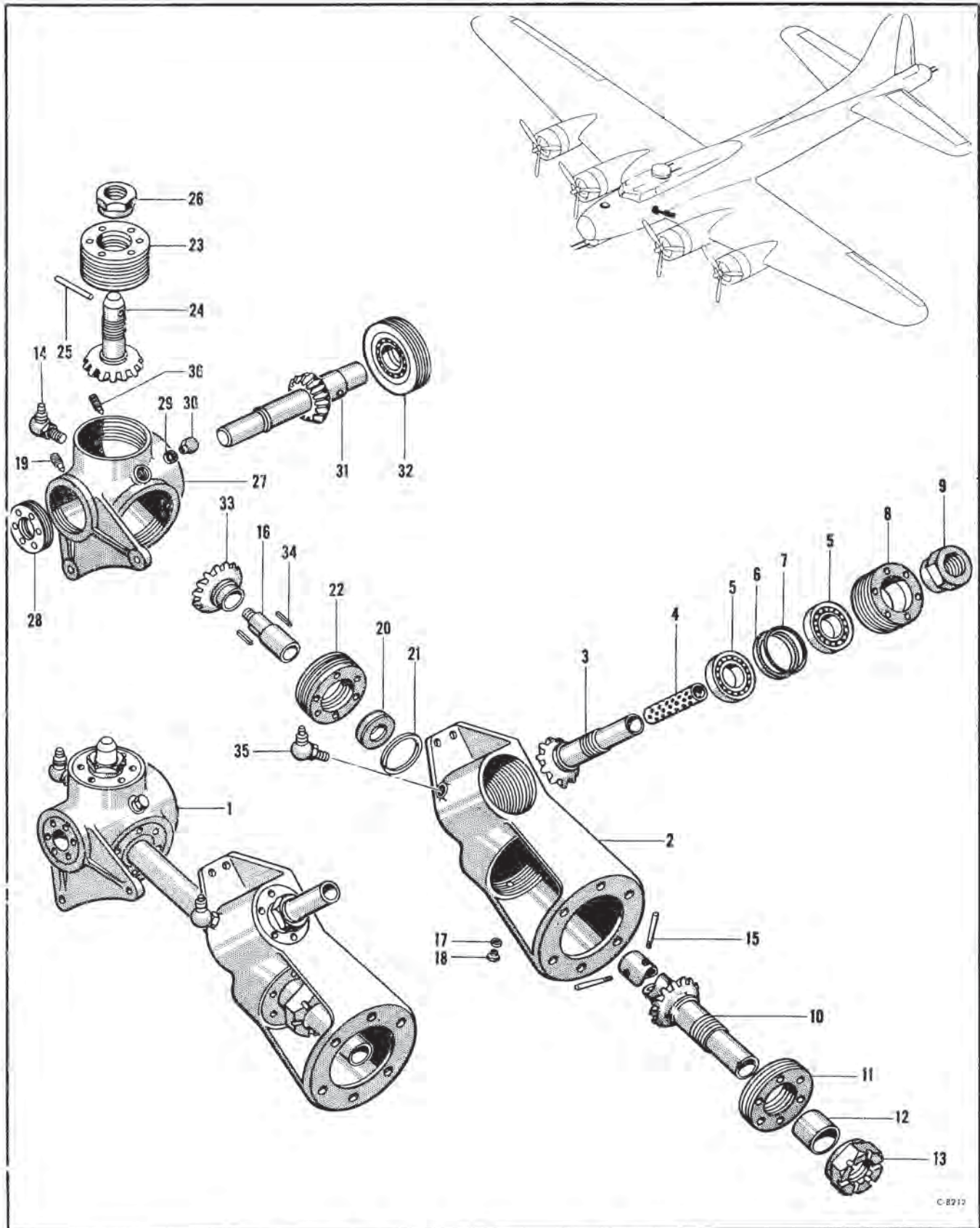


Figure 156—Bomb Door Control Gear Assembly

AN 01-20EG-4

FUSELAGE

Bomb Door Control Gear Assembly

Figure & Index No.	Part Number	1	2	3	4	5	6	7	Nomenclature	Usage Code	Units Per Assy.
156-1	65-4101-504								Gear Assembly—Bomb door control (see fig. 154)	All	Ref
	65-4101-503								Gear Assembly	All	1
2	59-2012								Housing Assembly—Bomb door controls	All	1
3	43-7853-400								Gear—Bomb door controls set	All	1
4	65-4101-400								Plug	All	1
	51-477								Bearing Assembly—Bomb door controls	All	1
5	S12FT								Bearing (Fafnir)	All	2
6	3-20792								Spacer—Bearing	All	1
7	3-23098								Ring—Retainer	All	1
8	51-476								Retainer Assembly—Bomb door controls	All	1
9	41-7956								Nut—1 1-4 12 special	All	1
10	41-8216								Shaft Assembly—Bomb door controls	All	1
	43-7853-401								Gear	All	1
11	21-9890								Bearing Assembly—Bomb door controls	All	1
	21-9490-1								Retainer Assembly—Bomb door controls	All	1
	S12K								Bearing (Fafnir)	All	1
12	21-9457								Collar—Bearing retainer	All	1
13	AN320-20								Nut—Aircraft shear	All	1
14	AN286-4								Fitting—Lubricator	All	1
15	AN386-1-8								Pin—Threaded taper	All	2
16	41-8217-1								Terminal—Tube end	All	1
17	AN900-6								Gasket—Annular copper	All	1
18	AN905-6								Plug—Hex	All	1
19	51-778								Screw—Set	HA	2
	AN566B10-4								Screw—Headless set	AI	2
20	21-9579								Collar—Bearing retainer	All	1
21	21-6385-80-45								Shim—.032 brass washer	All	2
22	21-9880								Bearing Assembly—Bomb door controls	All	1
	21-9511-1								Retainer Assembly—Bomb door controls	All	1
	S10FT								Bearing (Fafnir)	All	1
	21-9881-1								Gear Assembly—Bomb door controls	All	1
23	21-9879								Bearing Assembly—Bomb door controls	All	1
	21-9511								Retainer Assembly—Bomb door controls	All	1
	S10FT								Bearing (Fafnir)	All	2
24	43-7863-1								Gear Assembly—Bomb door control set	All	1
25	21-9882								Pin	All	1
26	41-8267-1								Nut—Special	All	1
27	43-7870								Housing—Bomb door controls	All	1
28	21-9492								Bearing Assembly—Bomb door controls	All	1
	S8K								Bearing (Fafnir)	All	1
29	AN900-6								Gasket—Annular copper	All	1
30	AN905-6								Plug—Hex	All	1
31	41-7995								Shaft Assembly—Bomb door controls	All	1
	43-7863-2								Gear—Bomb door control set	All	1
32	21-9491								Bearing Assembly—Bomb door controls	All	1
	S10K								Bearing (Fafnir)	All	1
33	43-7863-400								Gear—Bomb door control set	All	1
34	BAC1002-10								Key—5-32 square	All	2
35	AN286-4								Fitting—Lubricator	All	1
36	51-778								Screw—Set	HA	4
	AN565B10-4								Screw—Headless set	AI	4

Section I I
Group Assembly Parts List

AN 01-20EG-4

FUSELAGE

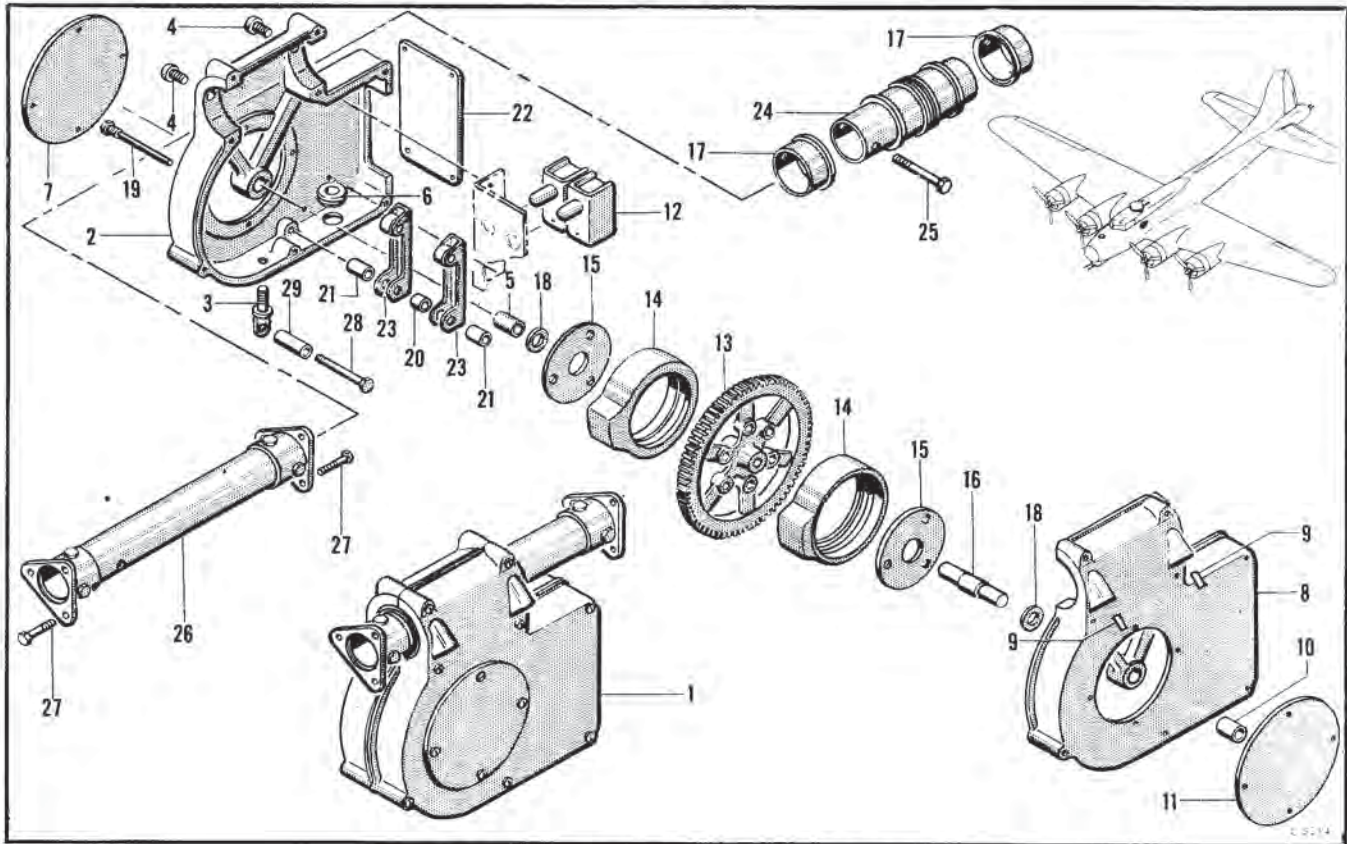


Figure 157—Bomb Door Limit Switch

Bomb Door Limit Switch

Figure & Index No.	Part Number	1 2 3 4 5 6 7	Nomenclature	Usage Code	Units Per Assy.
157-1	15-13091		Installation—Bomb door limit switch (see Fig. 154).....	KJ	NP
	15-13091-1		Switch Assembly.....	IJ	1
	15-13091-4		Switch Assembly.....	PQ	1
	9-5259-6		Switch Assembly—Limit.....	IJ	1
	9-5259-11		Switch Assembly—Limit.....	PQ	1
	9-5259-1		Housing Assembly.....	KJ	1
2	9-5258		Housing—Limit switch.....	KJ	1
3	AN42-4		Bolt—Eye.....	KJ	1
4	1-25433		Screw—Dowel.....	KJ	2
5	A449-1		Bushing—Oillite (Chrysler Corp.).....	KJ	1
6	M19336		Grommet (Goodrich).....	KJ	1
7	1-25429		Plate—Cover.....	KJ	1
	9-5259-2		Housing Assembly.....	KJ	1
8	9-5258-1		Housing—Limit switch.....	KJ	1
9	1-25720		Felt—Oil retainer.....	KJ	2
10	A449-1		Bushing—Oillite (Chrysler Corp.).....	KJ	1
11	1-25429		Plate—Cover.....	KJ	1
	9-5259-3		Angle Assembly.....	IJ	1
	9-5259-10		Angle Assembly.....	PQ	1
12	WZ-RQ41		Switch (Micro Switch).....	IJ	2
	BZ-RQ41		Switch (Micro Switch).....	PQ	2
	9-5259-4		Gear Assembly.....	KJ	1
13	3-16601		Gear—Limit switch worm.....	KJ	1
14	3-18044		Cam—Limit switch.....	KJ	2
15	1-25426		Ring—Clamp.....	KJ	2
16	1-25464		Shaft—Limit switch.....	KJ	1
17	1-25427		Bushing—Oillite.....	KJ	2
18	1-25940		Washer—.031 steel.....	KJ	2
19	1-25463		Pin—Actuator.....	KJ	1
20	BAC1601-19		Spacer.....	KJ	1
21	A101-1		Bushing—Oillite (Chrysler Corp.).....	KJ	2
22	1-25428		Plate—Cover.....	KJ	1
23	1-25489		Actuator Assembly—Switch.....	KJ	2
24	1-25430-1		Worm—Limit switch.....	KJ	1
25	AN3-17		Bolt—Aircraft.....	KJ	1
26	3-24441		Shaft Assembly—Bomb door controls.....	KJ	1
	3-24424-1		Coupling—Shaft.....	KJ	2
	AN3-20A		Bolt—Aircraft.....	KJ	4
27	AN3-5A		Bolt—Aircraft.....	KJ	6
28	AN3-16A		Bolt—Aircraft.....	KJ	1
29	BAC1603-68		Spacer.....	KJ	1

FUSELAGE

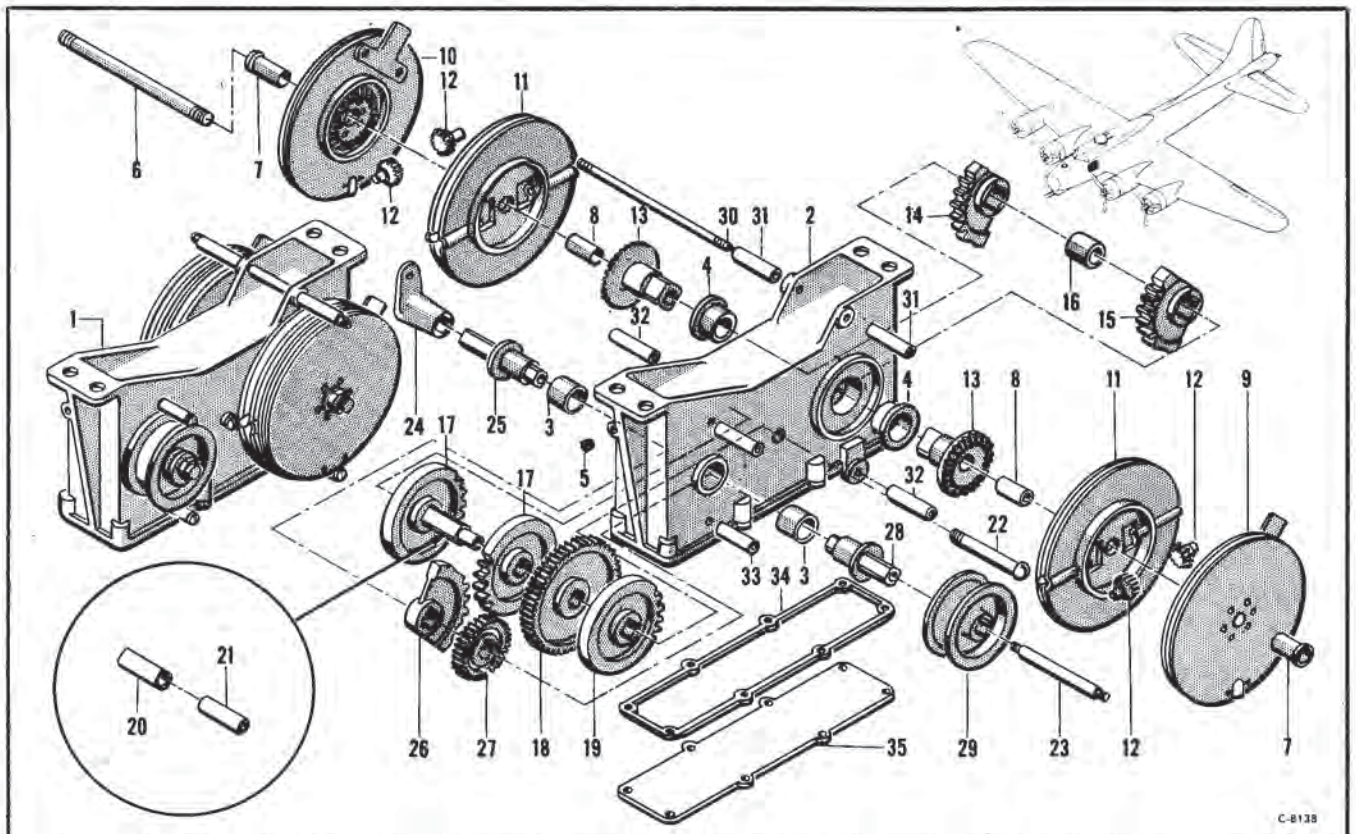
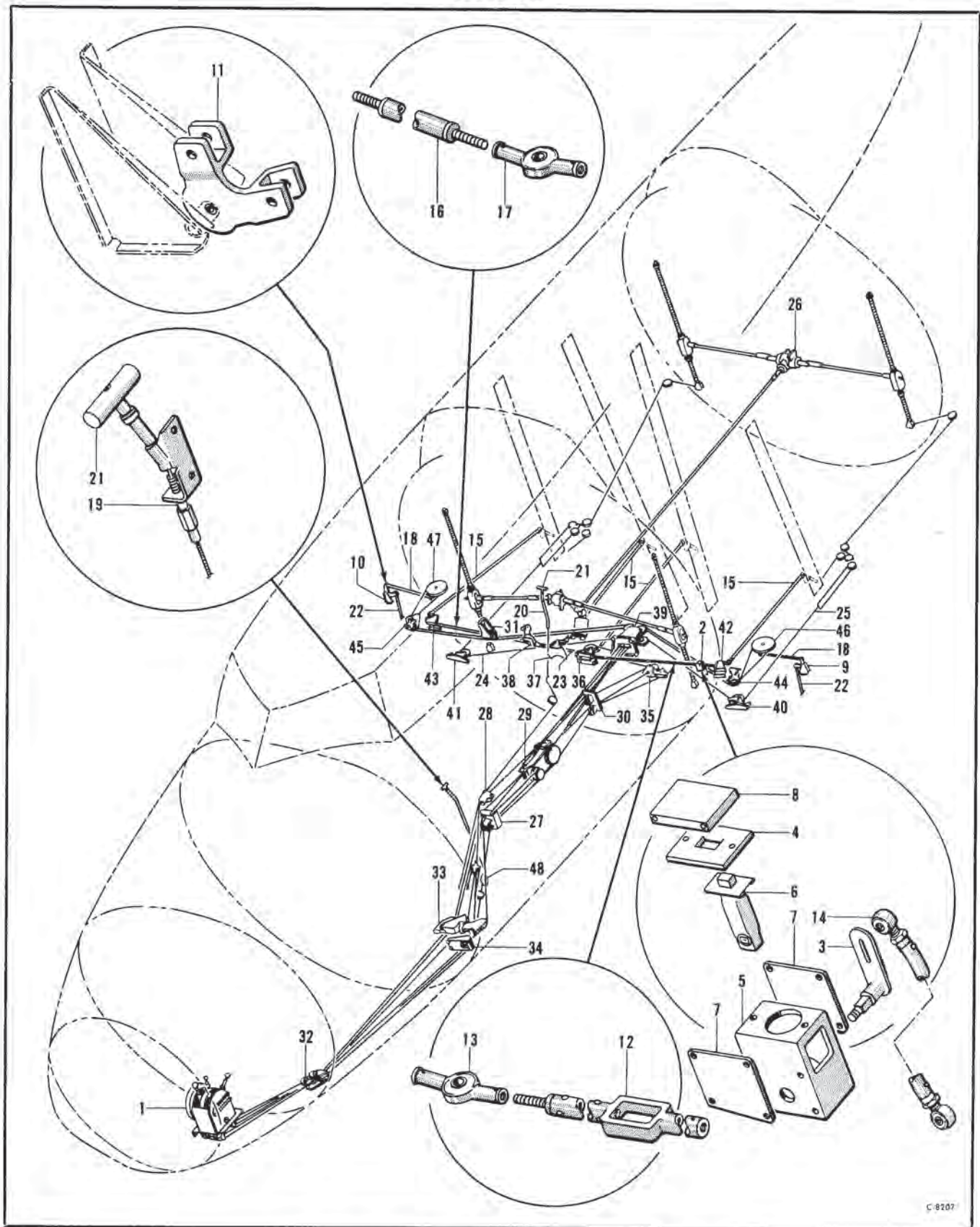


Figure 158—Bomb Control Unit Assembly

Bomb Control Unit Assembly

Figure & Index No.	Part Number	1	2	3	4	5	6	7	Nomenclature	Usage Code	Units Per Assy.
158-1	15-10967								Unit Assembly—Bomb control (see fig. 66 and 159)	HA	Ref
	9-5804								Housing Assembly—Bomb control	HA	1
2	15-10959								Housing—Bomb control	HA	1
3	9-5804-1								Bushing	HA	2
4	1-27927								Bushing—Gear control	HA	2
5	AN913-1S								Fitting—Pipe	HA	2
6	1-28200								Stud—Bomb control	HA	1
	AN310-6								Nut—Aircraft castle	HA	2
7	1-27932								Bushing—Bomb control	HA	2
8	1-30623								Sleeve—Bomb control	HA	2
9	3-19636								Sheave Assembly—Bomb control	HA	1
10	3-19636-1								Sheave Assembly—Bomb control	HA	1
11	3-19635								Sheave Assembly—Control	HA	2
	6-13530								Sheave—Control	HA	1
	1-28185								Bushing—Differential	HA	2
12	1-27918-1								Gear—Sheave control	HA	4
13	1-27928-1								Gear—Bomb control	HA	2
14	3-19597-1								Gear—Follower	HA	1
15	3-19598								Gear—Follower	HA	1
16	1-27906								Spacer—Bomb release control	HA	1
17	3-19591								Gear—Drive	HA	2
18	3-19612								Gear—Intermediate upper	HA	1
19	3-19603								Gear—Drive	HA	1
20	1-27746								Shaft	HA	1
21	BAC274CS4-104								Bushing—Bearing	HA	1
22	AN24-40								Bolt—Clevis	HA	1
	AN320-4								Nut—Aircraft shear	HA	1
23	1-28204								Stud—Main drive	HA	1
	AN310-4								Nut—Aircraft castle	HA	2
24	3-19617								Lever—Door release	HA	1
25	1-27931-1								Shaft—Release control	HA	1
26	3-19597								Gear—Follower	HA	1
27	3-19613								Gear—Intermediate lower	HA	1
28	1-27931								Shaft—Release control	HA	1
29	1-22888-1								Drum—Emergency control	HA	1
30	1-28859								Stud—Number 10-32 thread	HA	1
31	BAC1603-86								Spacer	HA	2
32	BAC1603-64								Spacer	HA	2
33	BAC1603-72								Spacer	HA	2
34	3-19877								Gasket—Bomb control housing	HA	1
35	3-19875								Cover—Bomb control housing	HA	1

FUSELAGE



C-8207

Figure 159—Bomb Rack and Door Control

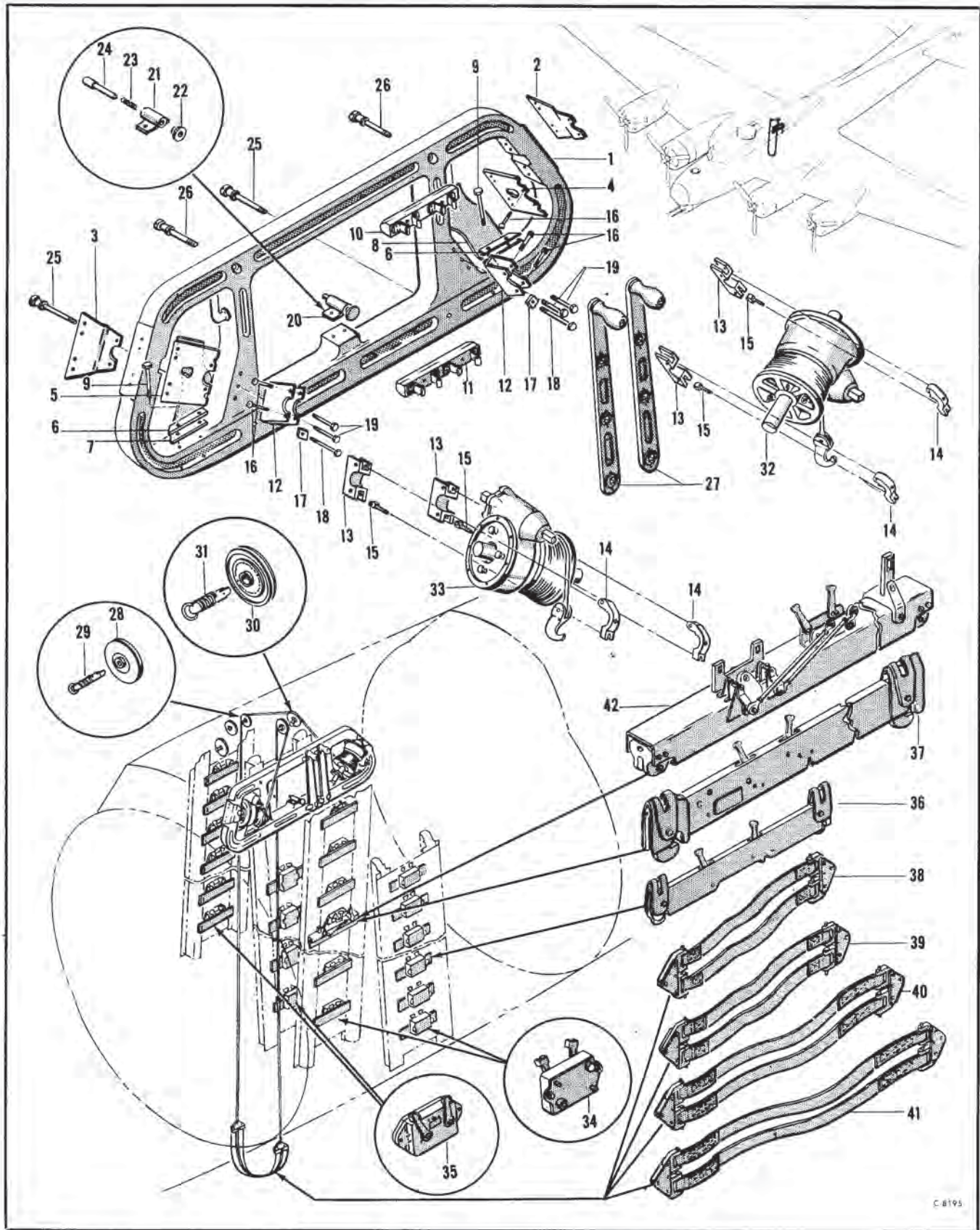
AN 01-20EG-4

FUSELAGE

Bomb Rack and Door Control

Figure & Index No.	Part Number	1 2 3 4 5 6 7	Nomenclature	Usage Code	Units Per Assy.
	15-11194		Bomb Rack and Door Control		
	15-10626		Installation—Bomb rack and door control	HA	NP
159-1	15-10626-1		Installation—Bombardiers stand	HA	NP
	43-8148		Stand Assembly—Bombardiers (see fig. 153)	HA	1
2	43-8148-400		Installation—Bomb control lock	HA	NP
3	21-9417		Lock Assembly—Bomb control	HA	1
4	21-6966-1		Crank Assembly—Bomb control lock	HA	1
5	41-9908		Fairlead—Bomb control	HA	1
6	4TOKD		Housing—Bomb control lock	HA	1
7	21-6974-1		Lock (Best Universal Lock)	HA	1
8	21-6979		Plate—Fairlead support	HA	2
	41-5195		Fairlead—Bomb control	HA	1
	6-11940		Washer—Serrated	HA	1
	6-11940-1		Installation—Bomb control bracket (LH)	HA	NP
9	6-11931-6		Installation—Bomb control bracket (RH)	HA	NP
10	6-11931-7		Bracket Assembly—Bomb control (LH)	HA	1
11	3-16445-2		Bracket Assembly—Bomb control (RH)	HA	1
	41-239-11		Crank Assembly—Control	HA	1
	41-239-14		Rod Assembly—Bomb control	M	1
12	41-239-13		Rod Assembly—Bomb control	SF	1
	41-239-15		Tube Assembly—Bomb control	M	1
13	21-5538		Tube Assembly—Bomb control	SF	1
	AN3-11		Coupling Assembly—Control rod	HA	1
	AN23-16		Bolt—Aircraft	HA	1
14	1-18323		Bolt—Clevis	HA	1
15	3-15521-10		Rod Assembly—1-2 in. control	HA	1
	AN23-18		Rod Assembly—5-8 in. control	HA	4
	AN3-11		Bolt—Clevis	HA	1
	3-21934-1		Bolt—Aircraft	HA	4
16	3-21934-101		Rod Assembly—5-8 in. control	HA	1
17	21-5538		Weld Assembly—Control rod	HA	1
18	6-11058-57		Coupling Assembly—Control rod	HA	1
	AN3-12		Rod Assembly—Engine control	HA	2
	AN3-11		Bolt—Aircraft	HA	2
19	15-11194-19		Bolt—Aircraft	HA	2
20	15-11194-1		Cable Assembly—Bomb rack and door control	HA	1
21	41B10395		Cable Assembly—Bomb rack and door control	HA	1
22	3-16944		Handle Assembly—Control	HA	1
	AN3-11		Bearing Assembly—Bomb control	HA	2
23	1-22987-1		Bolt—Aircraft	HA	2
24	15-11194-9		Pin—1-4 28 threaded	HA	1
25	15-11194-13		Cable Assembly—Control	HA	1
26	65-4139-501		Cable Assembly—Control	HA	1
27	15-11633-1		Installation—Bomb door control (see fig. 154)	HA	NP
28	9-6274-1		Bracket Assembly—Bomb control (see fig. 66)	HA	Ref
29	15-10967		Bracket Assembly—Emergency bomb release (see fig. 66)	HA	Ref
30	9-6265-1		Unit Assembly—Bomb control (see fig. 158)	HA	Ref
31	6-14798-1		Bracket Assembly—Bomb release control (see fig. 66)	HA	Ref
32	9-5883		Bracket Assembly—External bomb control (see fig. 66)	HA	Ref
33	15-11622-1		Bracket—Bomb release (see fig. 68)	HA	Ref
34	15-11622-2		Bracket Assembly—Bomb release (see fig. 68)	HA	Ref
	6-14528		Bracket Assembly—Bomb release (see fig. 68)	HA	Ref
35	15-11641-1		Control Assembly—Bomb release (see fig. 68)	HA	Ref
36	15-11641-2		Bracket Assembly—Bomb control (see fig. 68)	HA	Ref
37	15-11641-3		Bracket Assembly—Bomb control (see fig. 68)	HA	Ref
	3-12090-6		Bracket Assembly—Bomb control (see fig. 68)	HA	Ref
38	15-11641-4		Crank Assembly—Control (see fig. 68)	HA	Ref
39	15-11641-5		Bracket Assembly—Bomb control (see fig. 68)	HA	Ref
40	6-14550-1		Bracket Assembly—Bomb control (see fig. 68)	HA	Ref
41	6-14557-1		Bracket Assembly—Bomb door control (LH) (see fig. 68)	HA	Ref
42	57-99E		Bracket Assembly—Bomb door control (RH) (see fig. 68)	HA	Ref
43	57-992-500		Installation—Outboard bomb control bracket (LH) (see fig. 68)	HA	NP
44	6-14790-2		Installation—Outboard bomb control bracket (RH) (see fig. 68)	HA	NP
45	6-14790-3		Bracket Assembly—External bomb control (LH) (see fig. 68)	HA	Ref
46	9-6105-2		Bracket Assembly—External bomb control (RH) (see fig. 68)	HA	Ref
47	9-6105-3		Bracket Assembly—External bomb control (LH) (see fig. 74)	HA	Ref
48	9-6469-1		Bracket Assembly—External bomb control (RH) (see fig. 74)	HA	Ref
			Bracket Assembly—Emergency bomb release (see fig. 71)	HA	Ref

FUSELAGE



C-8195

Figure 160—Internal Bomb Hoist

AN 01-20EG-4

FUSELAGE
Internal Bomb Hoist

Figure & Index No.	Part Number	1 2 3 4 5 6 7	Nomenclature	Usage Code	Units Per Assy.
	15-7949		Installation—Internal bomb hoist	All	NP
	15-7582-4		Support Assembly—Bomb hoist	All	1
160-1	15-7582-5		Support—Bomb hoist	All	1
2	1-26477		Plate—Bomb hoist support (LH)	All	1
3	1-26477-1		Plate—Bomb hoist support (RH)	All	1
4	1-26478		Plate—Bomb hoist support (LH)	All	1
5	1-26478-1		Plate—Bomb hoist support (RH)	All	1
6	3-32442		Plate—Retainer bracket	EQ	2
7	6-22044		Bracket—Cable retainer	EQ	1
8	6-20792		Bracket—Cable retainer	EQ	1
9	AN3-23A		Bolt—Aircraft	EQ	4
10	3-13558-8		Support Assembly—Hoist handle stowage	All	1
	41-75-2		Spring—Bomb hoist crank	All	4
11	3-13533-8		Support Assembly—Hoist handle stowage	All	1
	41-75-2		Spring—Bomb hoist crank	All	4
12	1-26476		Channel—Bomb hoist	All	2
13	41-68		Bearing—Bomb hoist	All	4
14	41-67		Cap—Bomb hoist bearing	All	4
15	21-5584		Bolt—Bearing hinge	All	4
16	AN23-26A		Bolt—Clevis	All	8
17	15-7582-6		Filler	All	2
18	AN3-21A		Bolt—Aircraft	All	2
19	AN3-17A		Bolt—Aircraft	All	4
20	3-13601		Latch Assembly—Bomb hoist	All	1
21	3-13601-1		Housing Assembly (weld)	All	1
22	41-76-1		Knob—Bomb hoist lock	All	1
23	41-72		Spring—Compression	All	1
24	41-78		Pin—Bomb hoist lock	All	1
25	1-18292-48-330		Bolt—5-16 24 shoulder	GA	2
26	1-18292-48-222		Bolt—5-16 24 shoulder	GA	2
27	35B3441		Handle Assembly GFE	QC	2
28	41-4180		Pulley Assembly	All	2
	AN200KR4		Bearing—Heavy duty	All	1
29	3-6738		Bolt Assembly—Self-locking	All	2
30	41-4181		Pulley Assembly—3.50 OD	All	6
	AN200KR6		Bearing—Heavy duty	All	1
31	3-9775		Bolt Assembly—Self locking	All	6
	41-4545		Spring—Self-locking bolt	All	1
32	35G3422		Windlass Assembly—Bomb hoist GFE	QC	1
33	35G3422-1		Windlass Assembly—Bomb hoist GFE	QC	1
34	41G1742		Release—Bomb (Type A-2) GFE	HA	12
35	41G1742-1		Release—Bomb (Type A-2) GFE	HA	12
	43G19840L		Release—Bomb (Type A-4) GFE	JI	12
	43G19840R		Release—Bomb (Type A-4) GFE	JI	12
36	33D5226		Shackle (Type B-7) GFE	T	24
	43D10157		Shackle (Type B-10) GFE	JG	8
	33D5226		Shackle (Type B-7) GFE	JG	16
	43D10157		Shackle (Type B-10) GFE	DM	24
37	41E4555		Shackle (Type D-6) GFE	All	2
38	36C4441		Sling Assembly (300 pound bomb) GFE	QC	1
39	36E4442		Sling Assembly (500 and 1600 pound bomb) GFE	QC	1
40	42D6443		Sling Assembly (1000 pound bomb) GFE	QC	1
41	40G5318		Sling Assembly (2000 pound bomb) GFE	QC	1
42	15-7781		Installation—D6 bomb shackle adapter (LH) (see fig. 164)	All	NP
	15-7781-1		Installation—D6 bomb shackle adapter (RH) (see fig. 164)	All	NP

FUSELAGE

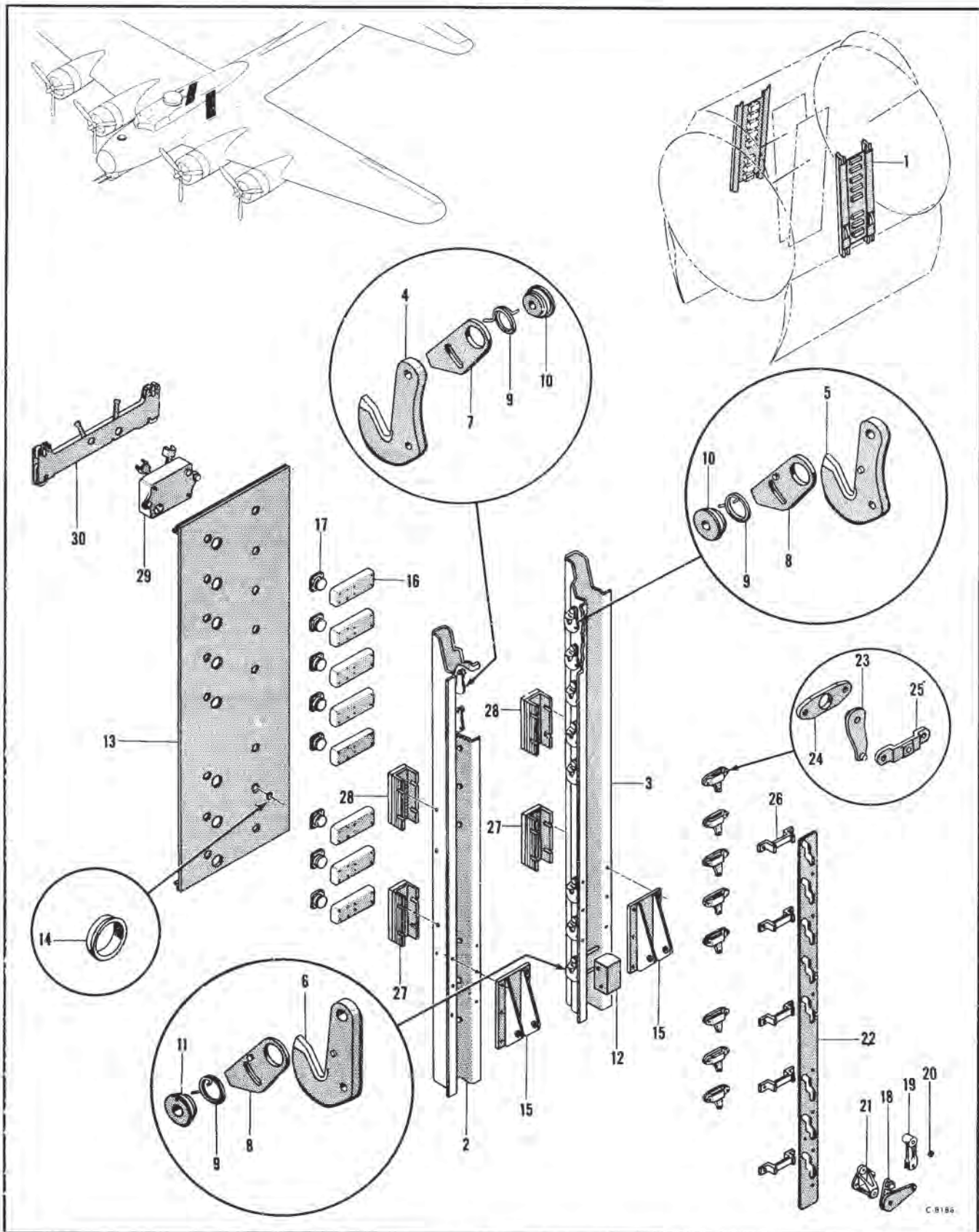


Figure 161—Outboard Internal Bomb Rack

AN 01-20EG-4

FUSELAGE

Outboard Internal Bomb Rack

Figure & Index No.	Part Number	1 2 3 4 5 6 7	Nomenclature	Usage Code	Units Per Assy.
			Outboard Internal Bomb Rack		
	65-6806-3		Installation—Armament	All	NP
	15-7955		Installation—Bomb rack	All	NP
161-1	15-7953-9		Rack Assembly—Internal bomb outboard (LH)	HA	1
	15-7953-10		Rack Assembly—Internal bomb outboard (RH)	HA	1
	15-7953-13		Rack Assembly—Internal bomb outboard (LH)	DI	1
	15-7953-14		Rack Assembly—Internal bomb outboard (RH)	DI	1
	15-7953-49		Rack Assembly—Internal bomb outboard (LH)	DP	1
	15-7953-50		Rack Assembly—Internal bomb outboard (RH)	DP	1
	15-7951-3		Rail Assembly—Internal bomb rack outboard (LH front)	KC	1
	15-7951-4		Rail Assembly—Internal bomb rack outboard (RH front)	KC	1
	15-7951-13		Rail Assembly—Internal bomb rack outboard (LH front)	DP	1
	15-7951-14		Rail Assembly—Internal bomb rack outboard (RH front)	DP	1
	15-7951-9		Rail Assembly—Internal bomb rack outboard (LH rear)	E	1
	15-7951-10		Rail Assembly—Internal bomb rack outboard (RH rear)	E	1
	15-7951-12		Rail Assembly—Internal bomb rack outboard (LH rear)	ZE	1
	15-7951-11		Rail Assembly—Internal bomb rack outboard (RH rear)	ZE	1
2	15-7951-7		Rail (LH front)	All	1
	15-7951-8		Rail (RH front)	All	1
3	15-7951-5		Rail (LH rear)	All	1
	15-7951-6		Rail (RH rear)	All	1
4	1-17847-1		Hook Assembly—Bomb rack (LH front)	All	8
	1-17847		Hook Assembly—Bomb rack (RH front)	All	8
5	1-17847		Hook Assembly—Bomb rack (LH rear)	All	7
	1-17847-1		Hook Assembly—Bomb rack (RH rear)	All	7
6	1-21426		Hook Assembly—Bomb rack (LH rear)	All	1
	1-21426-1		Hook Assembly—Bomb rack (RH rear)	All	1
7	33A6182		Latch Assembly—Bomb rack (LH front)	All	8
	33A6182-1		Latch Assembly—Bomb rack (RH front)	All	8
8	33A6182-1		Latch Assembly—Bomb rack (LH rear)	All	8
	33A6182		Latch Assembly—Bomb rack (RH rear)	All	8
9	33A6186-1		Spring—Bomb rack hook (LH)	All	8
	33A6186		Spring—Bomb rack hook (RH)	All	8
10	1-17897		Spacer—Bomb rack hook (front)	All	8
	1-17897		Spacer—Bomb rack hook (rear)	All	7
11	1-20533		Spacer—Bomb rack hook (rear)	All	1
12	1-23570		Filler—2000 pound bomb hook (rear)	All	1
	1-23570-1		Filler—2000 pound bomb hook (rear)	All	1
13	15-7958		Plate Assembly—Shear (LH)	HA	1
	15-7958-1		Plate Assembly—Shear (RH)	HA	1
	15-7958-11		Plate Assembly—Shear (LH)	JI	1
	15-7958-12		Plate Assembly—Shear (RH)	JI	1
14	1-20732		Installation—Bomb release socket	HA	NP
	15-5008		Clip—Socket ring (Simmonds AEROcessories)	HA	1
15	6-10108		Bracket Assembly—Outboard bomb rack	All	2
16	AX5		Box—Auxiliary (P. R. Mallory)	HA	8
17	43B11200		Receptacle Assembly—Bomb release (Type A-1) GFE	JI	8
	9-3723		Installation—Bomb rack crank (LH outboard)	HA	NP
	9-3723-1		Installation—Bomb rack crank (RH outboard)	HA	NP
18	3-14665		Crank Assembly—Lever control (LH)	HA	1
	3-14665-1		Crank Assembly—Lever control (RH)	HA	1
	BC4W10		Bearing—Bell crank unit ball (Fafnir)	HA	1
19	3-14664		Link—Bomb control	HA	1
20	A313-3		Bushing—Oilite (Chrysler)	HA	1
21	3-14683		Bracket—Bomb release control	HA	1
	15-7953-11		Bar Assembly (LH)	HA	1
	15-7953-12		Bar Assembly (RH)	HA	1
22	14-2357		Bar—Bomb release (LH)	HA	1
	14-2357-2		Bar—Bomb release (RH)	HA	1
23	1-21379		Bell Crank Assembly—Bomb control (LH)	HA	8
	1-21379-2		Bell Crank Assembly—Bomb control (RH)	HA	8
	B55		Bearing (Torrington)	HA	1
24	1-21005		Bearing—Bomb control	HA	8
25	1-21099		Bearing Assembly—Bomb control	HA	8
	M451		Bearing (Torrington)	HA	1
26	1-20185		Support—Bomb release bar	HA	5
27	1-21032		Pad Assembly—Auxiliary fuel tank	UH	2
28	1-21031		Pad Assembly—Auxiliary fuel tank	UH	2
	1-18380-8-199		Washer	UH	8
	1-18536-8-199		Washer	UH	8
29	41G1742		Release—Bomb (Type A-2) GFE (see fig. 160)	HA	Ref
	41G1742-1		Release—Bomb (Type A-2) GFE (see fig. 160)	HA	Ref
	43G19840L		Release—Bomb (Type A-4) GFE (see fig. 160)	JI	Ref
	43G19840R		Release—Bomb (Type A-4) GFE (see fig. 160)	JI	Ref
30	33D5226		Shackle (Type B-7) GFE (see fig. 160)	T	Ref
	43D10157		Shackle (Type B-10) GFE (see fig. 160)	JG	Ref
	33D5226		Shackle (Type B-7) GFE (see fig. 160)	JG	Ref
	43D10157		Shackle (Type B-10) GFE (see fig. 160)	DM	Ref

FUSELAGE

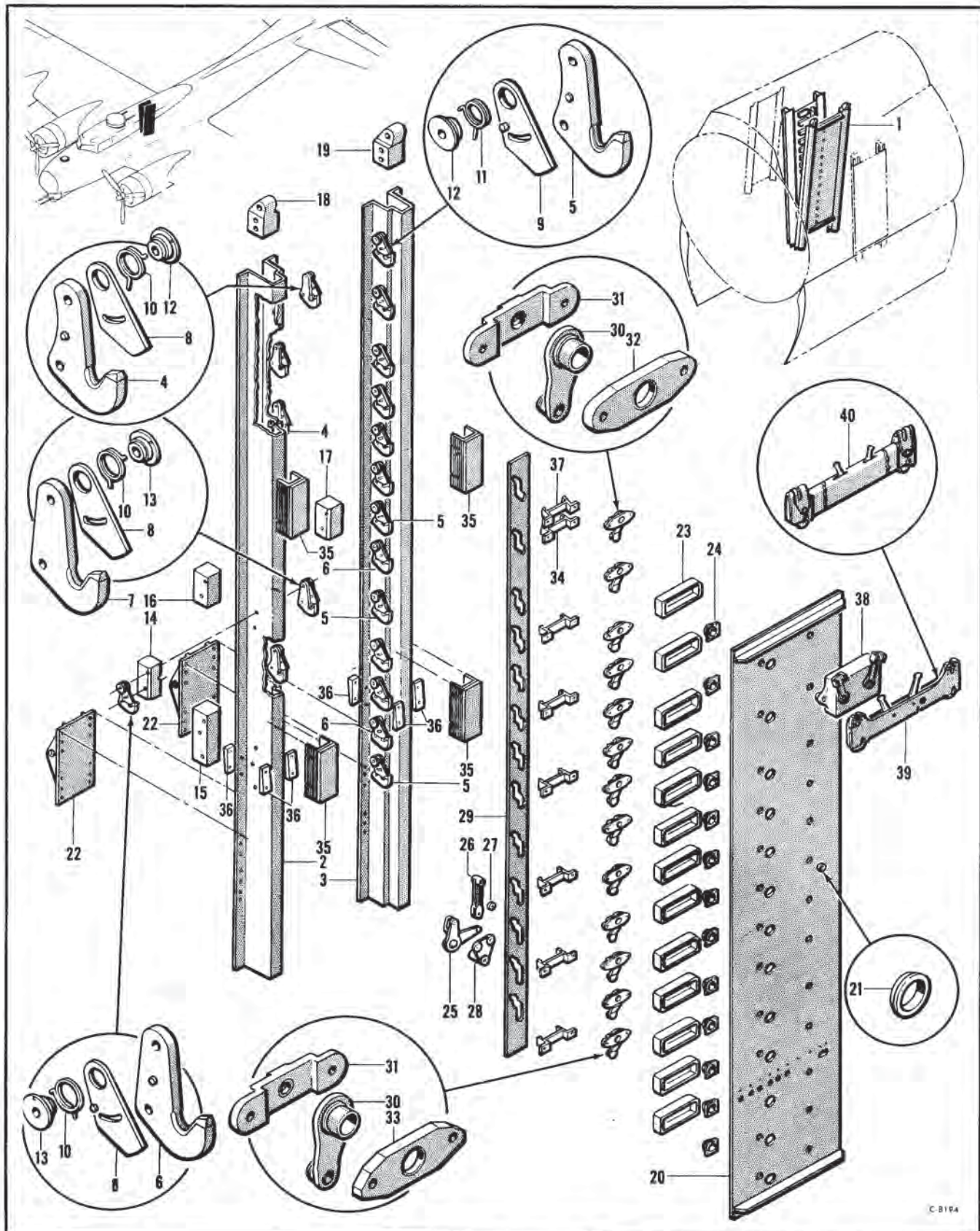


Figure 162—Inboard Internal Bomb Rack

AN 01-20EG-4

FUSELAGE

Inboard Internal Bomb Rack

Figure & Index No.	Part Number	1	2	3	4	5	6	7	Nomenclature	Usage Code	Units Per Assy.
									Inboard Internal Bomb Rack		
									Installation—Armament	All	NP
									Installation—Bomb rack	All	NP
162-1	65-6806-3								Rack Assembly—Internal bomb inboard (LH)	HA	1
	15-7955								Rack Assembly—Internal bomb inboard (RH)	HA	1
	15-7954-1								Rack Assembly—Internal bomb inboard (LH)	DI	1
	15-7954-17								Rack Assembly—Internal bomb inboard (RH)	DI	1
	15-7954-18								Rack Assembly—Internal bomb inboard (LH)	DP	1
	15-7954-21								Rack Assembly—Internal bomb inboard (RH)	DP	1
	15-7954-22								Rack Assembly—Internal bomb inboard (LH)	DP	1
	15-7952-3								Rail Assembly—Internal bomb rack inboard (LH front)	KC	1
	15-7952-4								Rail Assembly—Internal bomb rack inboard (RH front)	KC	1
	15-7952-27								Rail Assembly—Internal bomb rack inboard (LH front)	DP	1
	15-7952-28								Rail Assembly—Internal bomb rack inboard (RH front)	DP	1
	15-7952-21								Rail Assembly—Internal bomb rack inboard (LH rear)	All	1
	15-7952-22								Rail Assembly—Internal bomb rack inboard (RH rear)	All	1
2	15-7952-13								Rail (LH front)	All	1
	15-7952-14								Rail (RH front)	All	1
3	15-7952-12								Rail (Rear)	All	1
4	1-17847								Hook Assembly—Bomb rack (LH front)	All	12
	1-17847-1								Hook Assembly—Bomb rack (RH front)	All	12
5	1-17847-1								Hook Assembly—Bomb rack (LH rear)	All	11
	1-17847								Hook Assembly—Bomb rack (RH rear)	All	11
6	1-21426								Hook Assembly—Bomb rack (LH)	All	3
	1-21426-1								Hook Assembly—Bomb rack (RH)	All	3
7	1-21426-1								Hook Assembly—Bomb rack (LH front)	All	1
	1-21426								Hook Assembly—Bomb rack (RH front)	All	1
8	33A6182-1								Latch Assembly—Bomb rack (LH front)	All	14
	33A6182								Latch Assembly—Bomb rack (RH front)	All	14
9	33A6182								Latch Assembly—Bomb rack (LH rear)	All	13
	33A6182-1								Latch Assembly—Bomb rack (RH rear)	All	13
10	33A6186								Spring—Bomb rack hook (LH front)	All	14
	33A6186-1								Spring—Bomb rack hook (RH front)	All	14
11	33A6186-1								Spring—Bomb rack hook (LH rear)	All	13
	33A6186								Spring—Bomb rack hook (RH rear)	All	13
12	1-17897								Spacer—Bomb rack hook (front)	All	12
	1-17897								Spacer—Bomb rack hook (rear)	All	11
13	1-20533								Spacer—Bomb rack hook	All	2
14	3-14235								Filler—2000 pound bomb hook (LH front)	All	1
	3-14235-1								Filler—2000 pound bomb hook (RH front)	All	1
	3-14217								Spacer—2000 pound bomb hook (LH front)	All	1
	3-14217-1								Spacer—2000 pound bomb hook (RH front)	All	1
15	1-21454-2								Filler—Bomb rail (LH front)	All	1
	1-21454-3								Filler—Bomb rail (RH front)	All	1
16	1-21425								Filler—2000 pound bomb hook (LH front)	All	1
	1-21425-1								Filler—2000 pound bomb hook (RH front)	All	1
17	1-21425-1								Filler—2000 pound bomb hook (LH rear)	All	1
	1-21425								Filler—2000 pound bomb hook (RH rear)	All	1
18	3-14232-1								Terminal—Bomb rail (LH front)	All	1
	3-14232								Terminal—Bomb rail (RH front)	All	1
19	3-14232								Terminal—Bomb rail (LH rear)	All	1
	3-14232-1								Terminal—Bomb rail (RH rear)	All	1
20	15-7957								Plate Assembly—Shear (LH)	HA	1
	15-7957-1								Plate Assembly—Shear (RH)	HA	1
	15-7957-10								Plate Assembly—Shear (LH)	JI	1
	15-7957-11								Plate Assembly—Shear (RH)	JI	1
	1-20732								Installation—Bomb release socket	HA	NP
21	15-5008								Clip—Socket ring (Simmonds AEROcessories)	HA	1
22	6-10109								Bracket Assembly—Inboard bomb rack	All	2
23	AX5								Box—Auxiliary (P. R. Mallory)	HA	13
24	43B11200								Receptacle Assembly—Bomb release (Type A-1) GFE	JI	13
	9-3721								Installation—Inboard bomb rack crank (LH)	HA	NP
	9-3721-1								Installation—Inboard bomb rack crank (RH)	HA	NP
25	3-14679								Crank Assembly—Control (LH)	HA	1
	3-14679-1								Crank Assembly—Control (RH)	HA	1
	BC4W10								Bearing—Bell crank unit ball	HA	1
26	3-14664								Link—Bomb control	HA	1
27	A313-3								Bushing—Oilite (Chrysler)	HA	1
28	3-14660								Bracket—Bomb release	HA	1
	15-7954-15								Bar Assembly (LH)	HA	1
	15-7954-16								Bar Assembly (RH)	HA	1
29	14-2357-8								Bar—Bomb release (LH)	HA	1
	14-2357-9								Bar—Bomb release (RH)	HA	1
30	1-21379-2								Bell Crank Assembly—Bomb control (LH)	HA	13
	1-21379								Bell Crank Assembly—Bomb control (RH)	HA	13
	B55								Bearing (Torrington)	HA	1
31	1-21099								Bearing Assembly—Bomb control	HA	13
	M451								Bearing (Torrington)	HA	1
32	1-21005								Bearing—Bomb control	HA	12
33	1-21005-1								Bearing—Bomb control	HA	1
34	1-20185								Support—Bomb release bar	HA	7
35	1-21031								Pad Assembly—Auxiliary fuel tank	UH	4
	1-18380-8-199								Washer	UH	8
	1-18536-8-199								Washer	UH	8
36	1-21034								Filler—Bomb rail	All	8
37	1-26432								Support—Bomb release bar	HA	1
38	41G1742								Release—Bomb (Type A-2) GFE (see fig. 160)	HA	Ref
	41G1742-1								Release—Bomb (Type A-2) GFE (see fig. 160)	HA	Ref
	43C19840L								Release—Bomb (Type A-4) GFE (see fig. 160)	JI	Ref
	43C19840R								Release—Bomb (Type A-4) GFE (see fig. 160)	JI	Ref
39	33D5226								Shackle (Type B-7) GFE (see fig. 160)	T	Ref
	43D10157								Shackle (Type B-10) GFE (see fig. 160)	JG	Ref
	33D5226								Shackle (Type B-7) GFE (see fig. 160)	JG	Ref
	43D10157								Shackle (Type B-10) GFE (see fig. 160)	DM	Ref
40	41E4555								Shackle (Type D-6) GFE (see fig. 160)	All	Ref

FUSELAGE

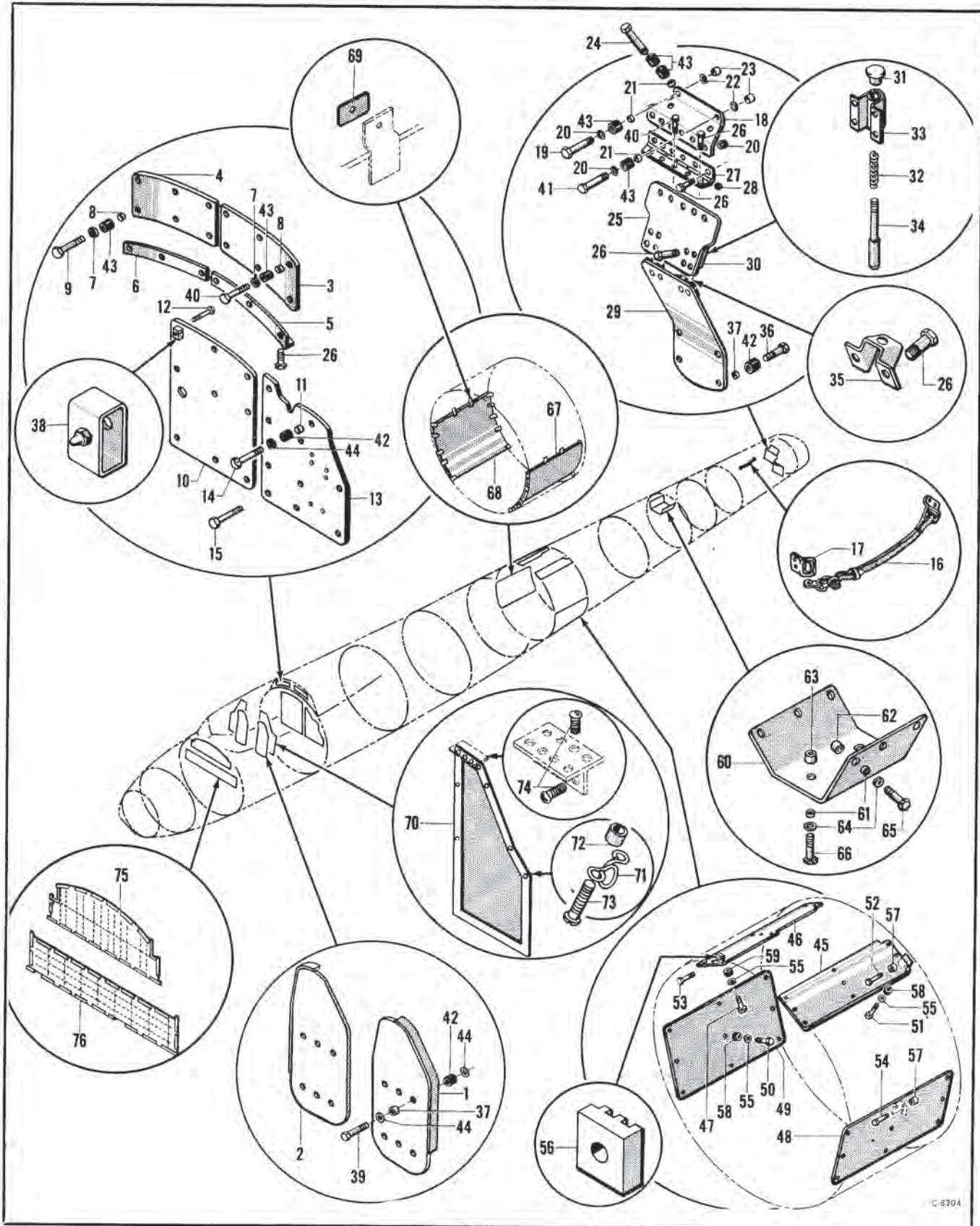


Figure 163—Protective Armor

AN 01-20EG-4

FUSELAGE

Protective Armor

Figure & Index No.	Part Number	1 2 3 4 5 6 7	Nomenclature	Usage Code	Units Per Assy.
			Protective Armor		
163-1	65-7387		Installation—Armor plate	VC	NP
2	6-11597		Armor Assembly—Seat back (LH)	T	1
	6-11597-1		Armor Assembly—Seat back (RH)	T	1
	6-11597-20		Armor Assembly—Seat back (LH)	MG	1
	6-11597-21		Armor Assembly—Seat back (RH)	MG	1
3	3-15152		Plate—Top gunner armor (LH)	VC	1
4	3-15152-1		Plate—Top gunner armor (RH)	VC	1
5	6-9285		Angle Assembly—Armor attachment (LH)	VC	1
6	6-9285-1		Angle Assembly—Armor attachment (RH)	VC	1
	1-18356		Plate Assembly—Armor attachment	VC	3
7	BAC1909-3		Washer—Oversize	VC	24
8	BAC1554-51-27		Spacer—Armor plate	VC	24
9	AN3-20A		Bolt—Aircraft	VC	6
10	6-10769		Door—Bulkhead 4 armor plate	VC	1
11	BAC1554-63-27		Spacer—Armor plate	VC	15
12	AN4-21A		Bolt—Aircraft	VC	9
13	6-10783-1		Armor Assembly—Top gunner	N	1
	6-10768		Armor—Top gunner	N	1
14	AN4-42A		Bolt—Aircraft	N	4
15	AN4-43A		Bolt—Aircraft	N	2
	9-3640		Installation—Armor support strap	PB	NP
16	9-3640-1		Strap Assembly	PB	1
17	1-18519		Hanger—Strap support	PB	2
18	3-13546-1		Plate—Rear gunner armor	PB	1
19	AN3-17A		Bolt—Aircraft	VC	2
20	BAC1909-13		Washer—Oversize	VC	6
21	BAC1554-51-30		Spacer—Armor plate	PB	4
22	1-22986-3		Washer—1-16 rubber	VC	2
23	BAC1603-24		Spacer—Number 10 bolt	VC	2
24	AN3-15A		Bolt—Aircraft	VC	2
25	3-13545-3		Plate Assembly—Rear gunner	PB	1
26	AN3-6A		Bolt—Aircraft	PB	23
27	65-7387-511		Hinge	EA	1
	65-7387-510		Hinge	QH	1
28	1-30401		Washer—.032 steel	EA	1
29	3-13544		Plate—Rear gunner armor	PB	1
30	1-18452		Latch Assembly—Armor plate	PB	2
31	1-16322		Knob—Gun mount-lock	PB	1
32	1-16326		Spring—Compression	PB	1
33	1-18450		Cylinder Assembly—Armor plate lock	PB	1
34	1-16321-1		Pin—Gun mount-lock	PB	1
35	1-18451		Striker—Armor plate lock	PB	2
36	AN4-13A		Bolt—Aircraft	PB	4
37	BAC1554-63-30		Spacer—Armor plate	PB	4
38	3-19058		Stud Assembly—Door catch	VC	1
39	AN4-14A		Bolt—Aircraft	VC	12
40	AN3-13A		Bolt—Aircraft	VC	6
41	AN3-20A		Bolt—Aircraft	VC	2
42	1-18298		Buffer—Armor plate	VC	31
43	1-18298-1		Buffer—Armor plate	VC	18
44	BAC1909-4		Washer—Oversize	VC	57
	15-9472		Installation—Side guns armor	OA	NP
45	3-16152		Armor—Side gun (LH)	OA	1
46	3-16151		Armor—Side gun (RH)	OA	1
47	AN4-10A		Bolt—Aircraft (RH)	OA	2
48	3-16147		Armor—Side gun (LH)	OA	1
49	3-16147-1		Armor—Side gun (RH)	OA	1
50	AN4-12A		Bolt—Aircraft	OA	7
51	AN4-11A		Bolt—Aircraft	OA	21
52	AN3-4A		Bolt—Aircraft	OA	48
53	AN3-13A		Bolt—Aircraft	OA	8
54	AN3-5A		Bolt—Aircraft	OA	4
55	BAC1909-4		Washer—Oversize	OA	30
56	1-24941-1		Spacer	OA	4
57	BAC1604-8		Spacer—1-4 bolt	OA	4
58	BAC1555-5		Buffer—Armor plate	OA	28
59	BAC1555-3		Buffer—Armor plate	OA	2
	15-9293		Installation—Bulkhead 8 armor	T	NP
60	6-11311		Armor—Bulkhead 8	T	1
61	1-24247-1		Spacer—Armor plate	T	8
62	1-18298-17		Buffer—Armor plate	T	6
63	1-18298-18		Buffer—Armor plate	T	2
64	BAC1909-3		Washer—Oversize	T	8
65	AN3-11A		Bolt—Aircraft	T	6
66	AN3-12A		Bolt—Aircraft	T	2
	15-11924		Installation—LH waist gun armor	KJ	NP
	15-11925		Installation—RH waist gun armor	KJ	NP
67	15-11926-8		Armor Assembly—LH waist gun armor	KJ	1
68	15-11927-7		Armor Assembly—RH waist gun armor	KJ	1
69	1-28845		Shim—Waist gun armor	KJ	AR
	15-17028		Installation—Pilots flak curtain	AQ	NP
70	15-17001		Curtain Assembly—Pilots flak	AQ	2
	6-20319		Plate—Flak curtain	AQ	21
	6-20319-1		Plate—Flak curtain half	AQ	2
71	3-29969		Clip—Flak curtain	AQ	2
72	BAC1603-20		Spacer—Number 10 bolt	AQ	4
73	AN520-10R14		Screw—Round head	AQ	4
74	AN520-10R10		Screw—Round head	AQ	20
	15-17035		Installation—Bulkhead 3 flak curtain	PP	NP
75	8-3252		Curtain Assembly—Bulkhead 3 flak	PP	1
	6-20319		Plate—Flak curtain	PP	26
76	8-3250		Curtain Assembly—Bulkhead 3 flak	PP	1
	6-20319		Plate—Flak curtain	PP	32
	6-20319-1		Plate—Flak curtain half	PP	4

Section I I
Group Assembly Parts List

AN 01-20EG-4

FUSELAGE

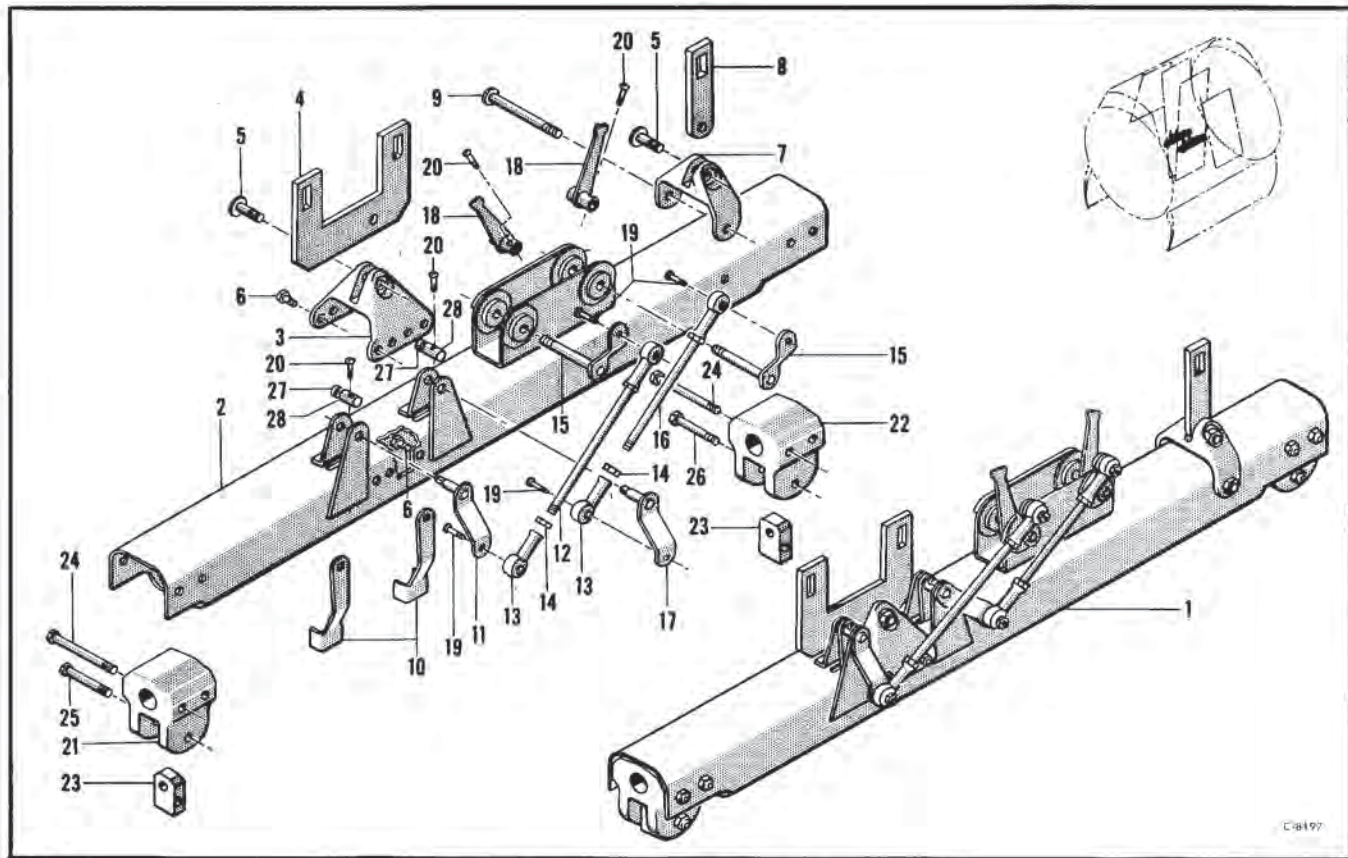


Figure 164—D6 Bomb Shackle Adapter

D6 Bomb Shackle Adapter

Figure & Index No.	Part Number	1	2	3	4	5	6	7	Nomenclature	Usage Code	Units Per Assy.
	15-7781								Installation—D6 bomb shackle adapter (LH) (see fig. 160)	All	NP
	15-7781-1								Installation—D6 bomb shackle adapter (RH) (see fig. 160)	All	NP
164-1	15-7781-2								Adapter Assembly (LH)	OA	1
	15-7781-3								Adapter Assembly (RH)	OA	1
	15-7781-6								Adapter Assembly (LH)	KJ	1
	15-7781-7								Adapter Assembly (RH)	KJ	1
2	15-7781-4								Tube Assembly (LH)	All	1
	15-7781-5								Tube Assembly (RH)	All	1
	1-19995								Bracket Assembly—Shackle adapter	All	1
	21-9212								Bearing Assembly—Control	All	1
	AN201K6A								Bearing—Metal shielded ball	All	1
3	51-274								Fitting—Shackle adapter	All	1
4	41-16								Link—Shackle adapter	All	1
5	AN26-14								Bolt—Clevis	All	2
6	AN4-5A								Bolt—Aircraft	All	8
7	51-276								Fitting—Shackle adapter	All	1
8	21-9233								Link—Shackle adapter	All	1
9	AN26-52								Bolt—Clevis	All	1
10	1-19844								Lever—Flanged	OA	2
	3-26181								Lever—Bomb shackle	KJ	2
11	1-19857-1								Crank Assembly—Shackle adapter (LH)	All	1
	1-19857-3								Crank Assembly—Shackle adapter (RH)	All	1
12	41-484-6-6								Rod Assembly—1-4 in. control	All	1
	REB3N								End—Rod (Fafnir)	All	1
	AN316-4R								Nut—Aircraft check	All	1
13	REB3N								End—Rod (Fafnir)	All	2
14	AN316-4R								Nut—Aircraft check	All	2
15	1-19060								Shaft Assembly—Shackle adapter	All	2
16	41-484-6-1								Rod Assembly—1-4 in. control	All	1
	REB3N								End—Rod (Fafnir)	All	1
	AN316-4R								Nut—Aircraft check	All	1
17	1-19857-2								Crank Assembly—Shackle adapter (LH)	All	1
	1-19857-4								Crank Assembly—Shackle adapter (RH)	All	1
18	1-19069								Lever Assembly—Shackle adapter	All	2
19	AN23-13								Bolt—Clevis	All	4
20	AN23-13A								Bolt—Clevis	All	4
21	3-13937-2								Terminal—Shackle adapter	All	1
22	3-13937-1								Terminal—Shackle adapter	All	1
23	1-18982								Spacer Assembly—Shackle adapter	All	2
24	AN-32A								Bolt—Aircraft	All	4
25	AN6-22A								Bolt—Aircraft	All	1
26	AN6-21A								Bolt—Aircraft	All	1
27	BAC1606-8								Spacer—Number 10 bolt	All	1
28	BAC1606-38								Spacer—Number 10 bolt	All	2

ALIGNING GEAR

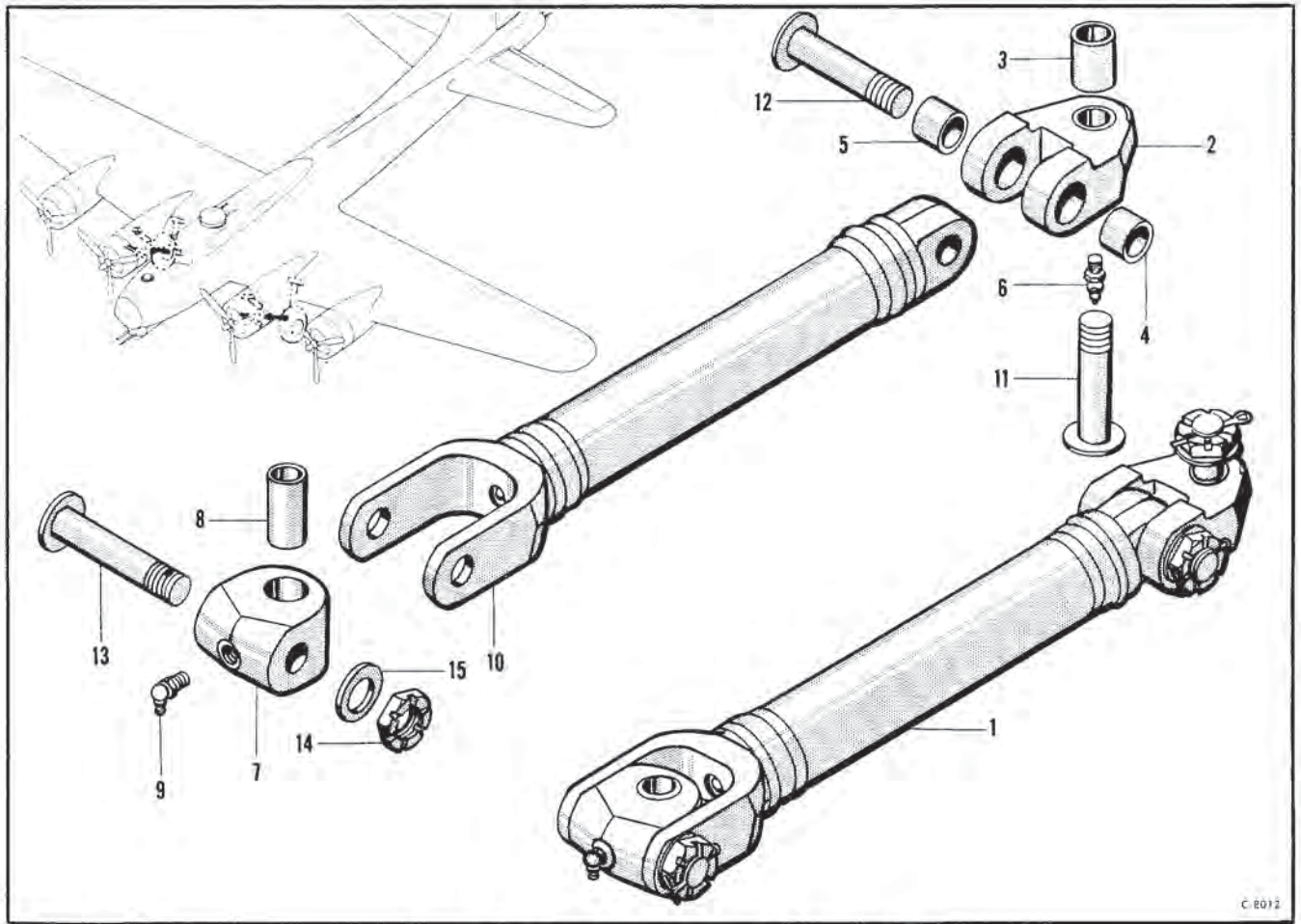


Figure 165—Universal Drag Link Assembly

Universal Drag Link Assembly

Figure & Index No.	Part Number	1 2 3 4 5 6 7	Nomenclature	Usage Code	Units Per Assy.
165-1	ALG100006-10		Link Assembly—Universal drag (A. O. Smith) (see fig. 166)	FA	Ref
	9-6861		Link Assembly—Universal drag (see fig. 166)	RH	Ref
	ALG206A		Universal Assembly—Drag strut (A. O. Smith)	FA	1
	3-11760		Universal Assembly—Drag strut	RH	1
2	ALG206		Terminal (A. O. Smith)	FA	1
	3-11760-1		Terminal	RH	1
3	ALG207		Bushing (A. O. Smith)	FA	1
	3-11760-2		Bushing	RH	1
4	ALG262-10		Bushing—Landing gear universal (A. O. Smith)	FA	1
	3-27807		Bushing—Landing gear universal	RH	1
5	ALG262-20		Bushing—Landing gear universal (A. O. Smith)	FA	1
	3-27807-1		Bushing—Landing gear universal	RH	1
6	AN286-3		Lubricator—Pressure-grip type PT	All	1
	ALG252A		Universal Assembly—Drag strut (A. O. Smith)	FA	1
	3-25153		Universal Assembly—Drag strut	RH	1
7	ALG252		Universal (A. O. Smith)	FA	1
	3-25153-1		Universal	RH	1
8	ALG239		Bushing (A. O. Smith)	FA	1
	3-25153-2		Bushing	RH	1
9	AN286-4		Lubricator—Pressure-grip type PT	All	1
10	ALG437A		Link Assembly—Drag strut (A. O. Smith)	FA	1
	6-16811		Link Assembly—Drag strut	RH	1
	AN535-14-8		Screw—Round head drive	All	2
11	AN34-54		Bolt—Clevis	All	1
12	AN34-56		Bolt—Clevis	All	1
13	AN34-50		Bolt—Clevis	FA	1
	AN34-62		Bolt—Clevis	RH	1
14	AN960-1416		Washer—Plain	All	3
15	AN820-14		Nut—Aircraft shear	All	3

ALIGHTING GEAR

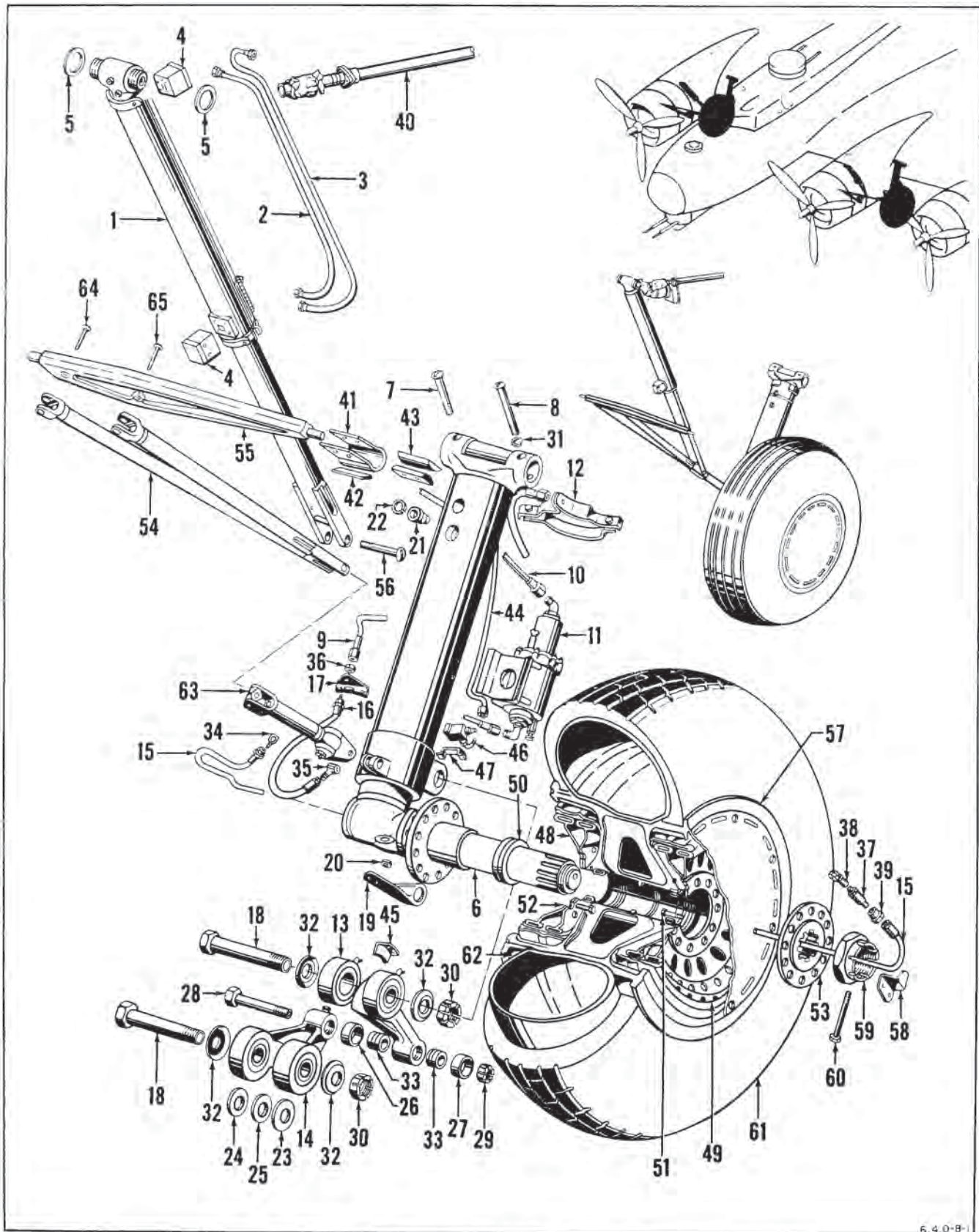


Figure 166—Landing Gear and Brakes

T. O. 1B-17G-4

ALIGHTING GEAR

Landing Gear and Brakes

Figure & Index No.	Part Number	1 2 3 4 5 6 7	Nomenclature	Usage Code	Units Per Assy.
	15-10414		Installation—Landing gear and brakes	All	NP
166-1	75-4801-620		Mechanism Assembly—Retracting gear (LH)	ED	1
	75-4801-621		Mechanism Assembly—Retracting gear (RH)	ED	1
	64-1498-504		Mechanism Assembly—Retracting gear LH (see fig. 168)	All	1
	64-1498-505		Mechanism Assembly—Retracting gear RH (see fig. 168)	All	1
2	75-4801-612		Conduit Assembly—Flexible (LH)	ED	1
	75-4801-616		Conduit Assembly—Flexible (RH)	ED	1
3	75-4801-613		Conduit Assembly—Flexible (LH)	ED	1
	75-4801-617		Conduit Assembly—Flexible (RH)	ED	1
	3-11999-5		Installation—Upper limit switch (LH)	ED	NP
	3-11999-6		Installation—Upper limit switch (RH)	ED	NP
	3-12006-4		Installation—Lower limit switch	ED	NP
4	3-11996-15		Shield Assembly—Upper limit switch	ED	1
	8909K520		Switch (Cutler-Hammer)	ED	1
5	1-30665		Shim—Landing gear	GC	2
	15-10414-14		Shim—Landing gear	T	2
	15-10414-27		Strut Assembly—LH	All	1
	15-10414-28		Strut Assembly—RH	All	1
6	15-10414-5		Strut Assembly—Landing gear LH (see fig. 167)	All	1
	15-10414-6		Strut Assembly—Landing gear RH (see fig. 167)	All	1
7	AN29-66		Bolt—Clevis	All	1
8	AN29-86		Bolt—Clevis	All	1
9	15-10414-12		Tube Assembly—LH	All	1
	15-10414-13		Tube Assembly—RH	All	1
10	15-10414-24		Tube Assembly—LH	All	1
	15-10414-25		Tube Assembly—RH	All	1
11	15-10414-26		Valve Assembly—Return (see fig. 170)	All	1
	AN4H4		Bolt—Aircraft	All	4
12	6-8533		Clamp Assembly—Landing gear strut	All	1
13	9-2312-6		Link Assembly—Torsion	All	1
	532A		Cup—Bearing (Timken)	All	2
	542		Cone—Bearing (Timken)	All	2
14	9-2312-7		Link Assembly—Torsion	All	1
	532A		Cup—Bearing (Timken)	All	2
	542		Cone—Bearing (Timken)	All	2
15	AN6260-8D45		Hose Assembly—Detachable end swivel fittings type	VB	1
	AN6260-8D45 1-2		Hose Assembly—Detachable end swivel fitting stype	KN	1
16	AN6261-8D22		Hose Assembly—Detachable end fittings type	All	1
17	1-27724		Angle—Brake nose support	All	1
18	3-7833		Bolt—Special	All	2
19	3-10298		Lug—Towing	All	1
20	21-9588-10		Washer	All	1
21	21-556-1		Guard—Valve dust	All	1
22	21-557		Ring—Valve dust guard	All	1
23	1-22934-5		Washer	All	4
24	AN960B2616		Washer—Brass	All	4
25	AN960A2616		Washer—Aluminum alloy	All	4
26	21-9388		Ring—Grease seal	All	1
27	21-9389-1		Cap—Grease seal	All	1
28	21-9391		Bolt—Special	All	1
29	21-9414		Nut—Special	All	1
30	21-9415		Nut—Special	All	2
31	21-9588-12		Washer	All	1
32	41-671		Washer	All	4
33	N1807		Bearing—Thrust (Fafnir)	All	2
34	AN776-8D		Elbow—90 degree universal	All	1
35	AN778-8D		Elbow—45 degree universal	All	1
36	AN924-8D		Nut—Flared tube bulkhead and universal fitting	All	1
37	AN6221-8		Coupling—Hydraulic self sealing half	All	1
38	AN6222-8		Coupling—Hydraulic self sealing half	All	1
39	AN6224-8		Nut—Hydraulic self sealing coupling	All	1
40	55-5593		Installation—Hand retracting control LH (see fig. 169)	All	NP
	55-5593-1		Installation—Hand retracting control RH (see fig. 169)	All	NP
	9-7265		Installation—Wheel stop (LH)	PK	NP
	9-7265-1		Installation—Wheel stop (RH)	PK	NP
	9-7265-6		Belt Assembly	PK	1
	9-7265-3		Belt	PK	1
41	3-29449		Plate—Scuffing	PK	3
42	9-7265-5		Spacer—Wood	PK	3
43	15-13885		Installation—Landing gear safety switch	DK	NP
	15-13885-1		Conduit Assembly	DK	1
44	3-26048		Lug—Safety switch	DK	1
45	3-26172		Switch—Landing gear safety	DK	1
46	WZE-7RNTN		Switch Assembly	DK	1
	ES5-2		Seal Assembly	DK	1
47	3-28720		Bracket	DK	1
48	H2-258-1		Brake Assembly—Inboard (Hayes Industries) GFE	All	2
49	H2-259-1		Brake Assembly—Outboard (Hayes Industries) GFE	All	2
50	3-19267		Ring—Spacer	All	2
51	AN10-12		Bolt—Aircraft	All	24
52	AN10-13		Bolt—Aircraft	All	24
53	AOS1040		Flange—Outer torque (A. O. Smith)	All	2
54	ALG100005-20		Strut Assembly—Drag (A. O. Smith)	EB	2
	ALG100005-21		Strut Assembly—Drag (A. O. Smith)	LL	2
55	8-588-2		Support—Drag strut	XA	2
	8-588-3		Support—Drag strut	MK	2
	8-588-8		Support—Drag strut	LL	2
56	AN34-82		Bolt—Clevis	All	2
57	H3-101M		Wheel Assembly—Landing (Hayes Industries) GFE	All	2
58	3-27965		Stop—Hydraulic swivel	IL	2
59	AN7502-55		Nut—Wheel bearing retaining	All	2
60	NAS221-15		Screw—Brazier head Phillips recess	All	4
61	NO NUMBER		Casing—Tire, 56 in., 20 ply rating (Spec MIL-C-5041 Type 1)	All	2
			(Class 04-C) (AF Stock No. 3900-257575)		
62	NO NUMBER		Tube—Inner, 56 in. (Spec MIL-T-5014A Type 1, Style D)	All	2
			(Class 04-C) (AF Stock No. 3900-814500)		
63	ALG100006-10		Universal Assembly—Drag link (A. O. Smith) (see fig. 165)	FA	2
	9-6861		Universal Assembly—Drag link (see fig. 165)	RH	2
64	AN34-54		Bolt—Clevis	All	2
65	AN32-54		Bolt—Clevis	EB	2
	AN34-54		Bolt—Clevis	LL	2

Section II
Group Assembly Parts List

AN 01-20EG-4

ALIGNING GEAR

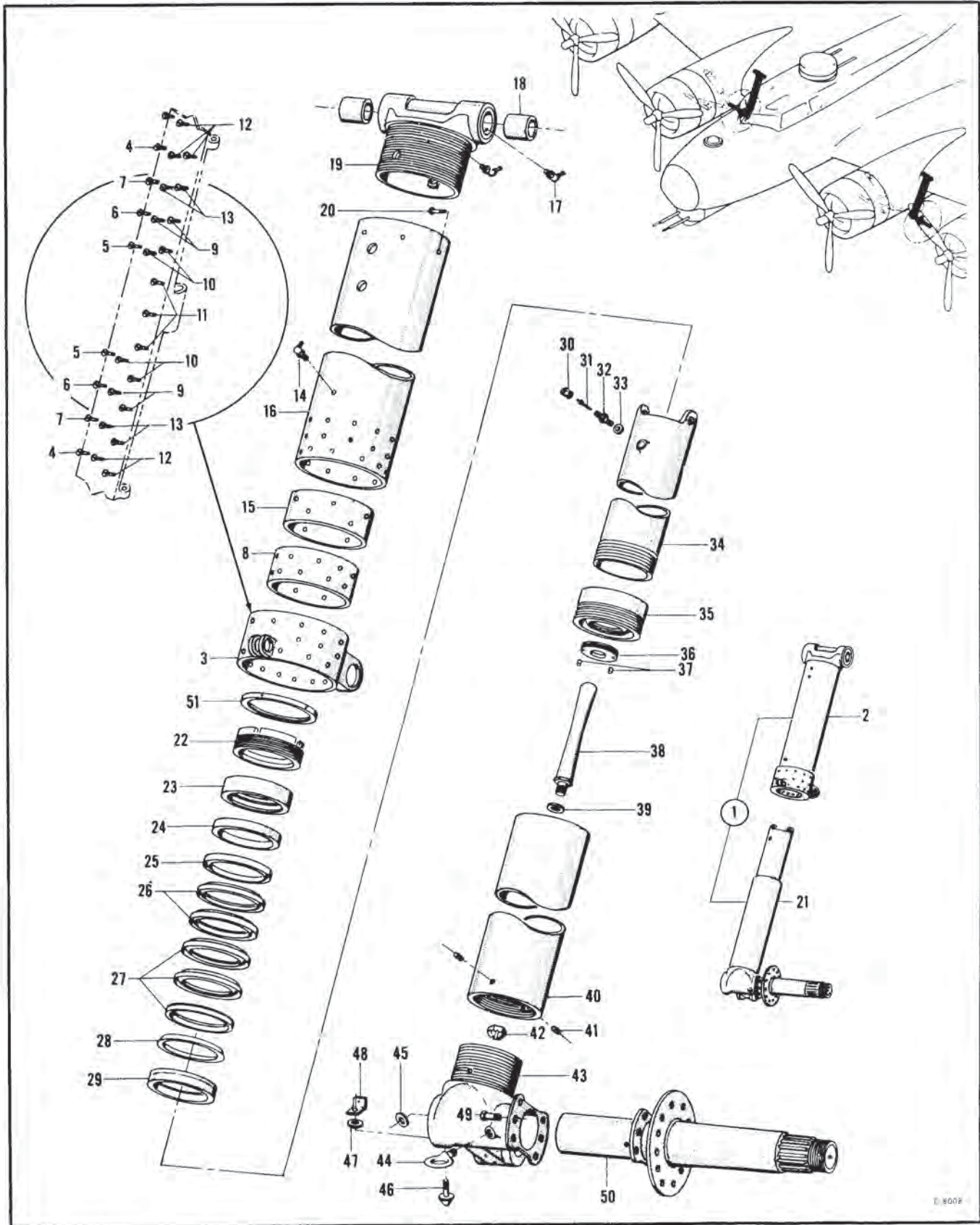


Figure 167—Landing Gear Strut Assembly

AN 01-20EG-4

ALIGHTING GEAR

Landing Gear Strut Assembly

Figure & Index No.	Part Number	1	2	3	4	5	6	7	Nomenclature	Usage Code	Units Per Assy.
167-1	15-10414-5								Strut Assembly—Landing gear LH (see fig. 166)	All	Ref
	15-10414-6								Strut Assembly—Landing gear RH (see fig. 166)	All	Ref
2	55-4803-421								Strut Assembly—Landing gear LH	All	1
	55-4803-422								Strut Assembly—Landing gear RH	All	1
3	55-4803-415								Collar Assembly—Landing gear	All	1
4	41-9623-12								Bolt—Clevis	All	3
5	41-9623-15								Bolt—Clevis	All	2
6	41-9623-14								Bolt—Clevis	All	2
7	41-9623-13								Bolt—Clevis	All	2
	AN320-6								Nut—Aircraft shear	All	29
8	55-4803-3								Bushing	All	1
9	41-2636-16								Screw—Special	All	4
10	41-2636-17								Screw—Special	All	4
11	41-2636-18								Screw—Special	All	3
12	41-2636-14								Screw—Special	All	5
13	41-2636-15								Screw—Special	All	4
14	AN286-2								Lubricator—Pressure-grip type PT	All	1
15	55-4803-425								Bushing	All	1
16	55-4803-423								Tube—Strut assembly LH	All	1
	55-4803-424								Tube—Strut assembly RH	All	1
	15-4779								Terminal Assembly—Landing gear strut	All	1
17	AN286-3								Lubricator—Pressure-grip type PT	All	2
18	15-4779-2								Bushing—Terminal assembly	All	2
19	15-4779-1								Terminal	All	1
20	AN27-16								Bolt—Clevis	All	8
	AN320-7								Nut—Aircraft shear	All	8
21	14-3287								Oleo Assembly—Landing gear LH	All	1
	14-3287-1								Oleo Assembly—Landing gear RH	All	1
22	43-9165								Nut Assembly—Oleo packing	All	1
23	41-2567								Ring—Upper	All	1
24	42B498-12								Ring—Packing filler	All	1
25	39B226-12								Ring—Packing upper adapter	All	1
26	43B2237-12								Ring—"V" packing	All	2
27	40B629-12								Ring—"V" hydraulic packing	All	3
28	39B223-12								Ring—Packing lower adapter	All	1
29	41-2568								Ring—Lower	All	1
30	AN813-1								Cap—High pressure air valve	All	1
31	AN809-1								Core—High pressure air valve	All	1
32	AN812-1								Body—High pressure air valve	All	1
33	AN901-5C								Gasket—Metal tube connection seal	All	1
	46-5857								Piston Assembly—Oleo	All	1
34	81-2564								Rod Assembly—Oleo piston	All	1
35	81-2565								Piston—Oleo piston	All	1
36	21-9083								Plate—Orifice	All	1
37	AN565D8-4								Screw—Headless set machine	All	2
38	41-2569								Rod—Orifice	All	1
39	14-3287-2								Washer	All	1
40	3-9164								Cylinder Assembly—Oleo	All	1
41	895-101								Fitting—Pipe	All	2
42	AN310-16								Nut—Aircraft castle	All	1
43	15-6181								Knuckle—Landing gear LH	All	1
	15-6181-1								Knuckle—Landing gear RH	All	1
44	41-8199-1								Lug—Towing	All	1
	AN310-10								Nut—Aircraft castle	All	7
45	21-9588-6								Washer	All	1
46	61-9396-2								Bolt—Jacking cone	All	1
	AN310-8								Nut—Aircraft castle	All	1
47	21-9588-7								Washer	All	1
48	1-27728								Support	All	1
49	AN10-13								Bolt—Aircraft	All	6
50	AOS1-1031								Axle—Landing gear (A. O. Smith)	All	1
51	21-9084								Nut—Packing lock	All	1

ALIGNING GEAR

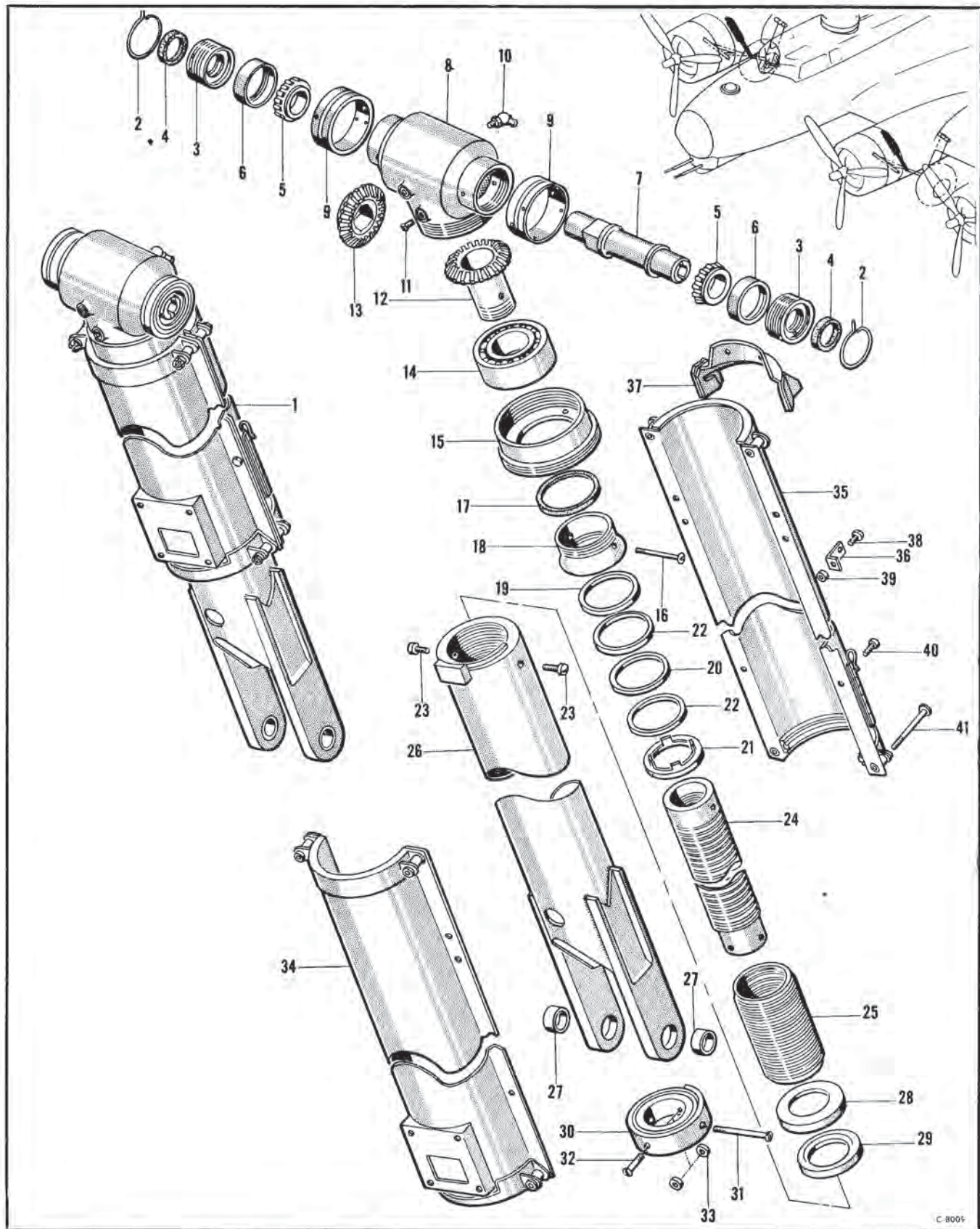


Figure 168—Retracting Gear Mechanism Assembly

AN 01-20EG-4

ALIGHTING GEAR

Retracting Gear Mechanism Assembly

Figure & Index No.	Part Number	1 2 3 4 5 6 7	Nomenclature	Usage Code	Units Per Assy.
168-1	64-1498-504		Mechanism Assembly—Retracting gear (LH) (see fig. 166)	All	Ref
	64-1498-505		Mechanism Assembly—Retracting gear (RH) (see fig. 166)	All	Ref
2	41-4778		Ring—Lock	All	2
	41-2817		Retaining Assembly—Retracting gear housing	All	2
3	41-2817-1		Retainer	All	1
4	41-2817-2		Gasket—Felt	All	1
5	07100		Cone (Timken)	All	2
6	07196		Cup (Timken)	All	2
7	AOS1-505		Tube and Shaft Assembly (A. O. Smith)	All	1
	46-8053		Housing Assembly—Retracting gear	All	1
8	46-8053-400		Housing Assembly	All	1
9	51-289		Bushing	All	2
10	AN286-3		Lubricator—Pressure-grip type PT	All	1
11	AN913-1S		Fitting—Pipe	All	1
	3-9288		Gear—Set	All	1
12	*3-9288-1		Gear—20 degree involute	All	1
13	*3-9288-2		Gear—20 degree involute	All	1
14	5208		Bearing (Fafnir)	All	1
15	21-5136		Cap—Retracting gear housing	All	1
16	AN24-40		Bolt—Clevis	All	1
	21-9839		Stop Assembly—Retracting screw upper	All	1
17	21-9839-3		Felt	All	1
18	21-9838		Stop—Upper	All	1
19	21-9839-4		Washer	All	1
20	21-9839-2		Bumper	All	1
21	21-9839-1		Cap—Free fit	All	1
22	41-1066-64-108		Washer	All	2
23	AN502-416-8		Screw—Drilled fillister head	All	2
24	3-15118		Screw—Landing gear retracting	All	1
25	3-15124		Nut—Retracting gear	All	1
	48-591		Tube Assembly—Retracting nut	All	1
26	48-591-401		Tube Assembly—Weld	All	1
27	51-428		Bushing	All	2
28	21-9841		Cap—Lower bumper	All	1
29	64-1498-502		Bumper	All	1
30	3-21937		Stop Assembly—Retracting screw lower	All	1
31	AN24-42		Bolt—Clevis	All	1
	AN320-4		Nut—Aircraft shear	All	1
32	AN24-13A		Bolt—Clevis	All	2
33	21-9588		Washer—Ball seat	All	2
	AN364-428		Nut—Self-locking thin	All	3
34	9-3082-2		Cover Assembly—Retracting screw	All	1
35	9-3082-1		Cover Assembly—Retracting screw	All	1
	9-3082-28		Door	All	1
	AN415-4		Pin—Lock	All	1
36	1-18740		Angle—Conduit support	All	3
37	3-20433		Cover Assembly—Lock	All	1
38	AN520-10R10		Screw—Round head	All	2
39	BAC1603-8		Spacer	All	2
	AN365-1032		Nut—Self-locking	All	10
40	AN501-10-6		Screw—Fillister head drilled	All	9
41	AN4-20		Bolt—Aircraft	All	4
	AN310-4		Nut—Aircraft castle	All	4

*Must be procured in sets.

ALIGNING GEAR

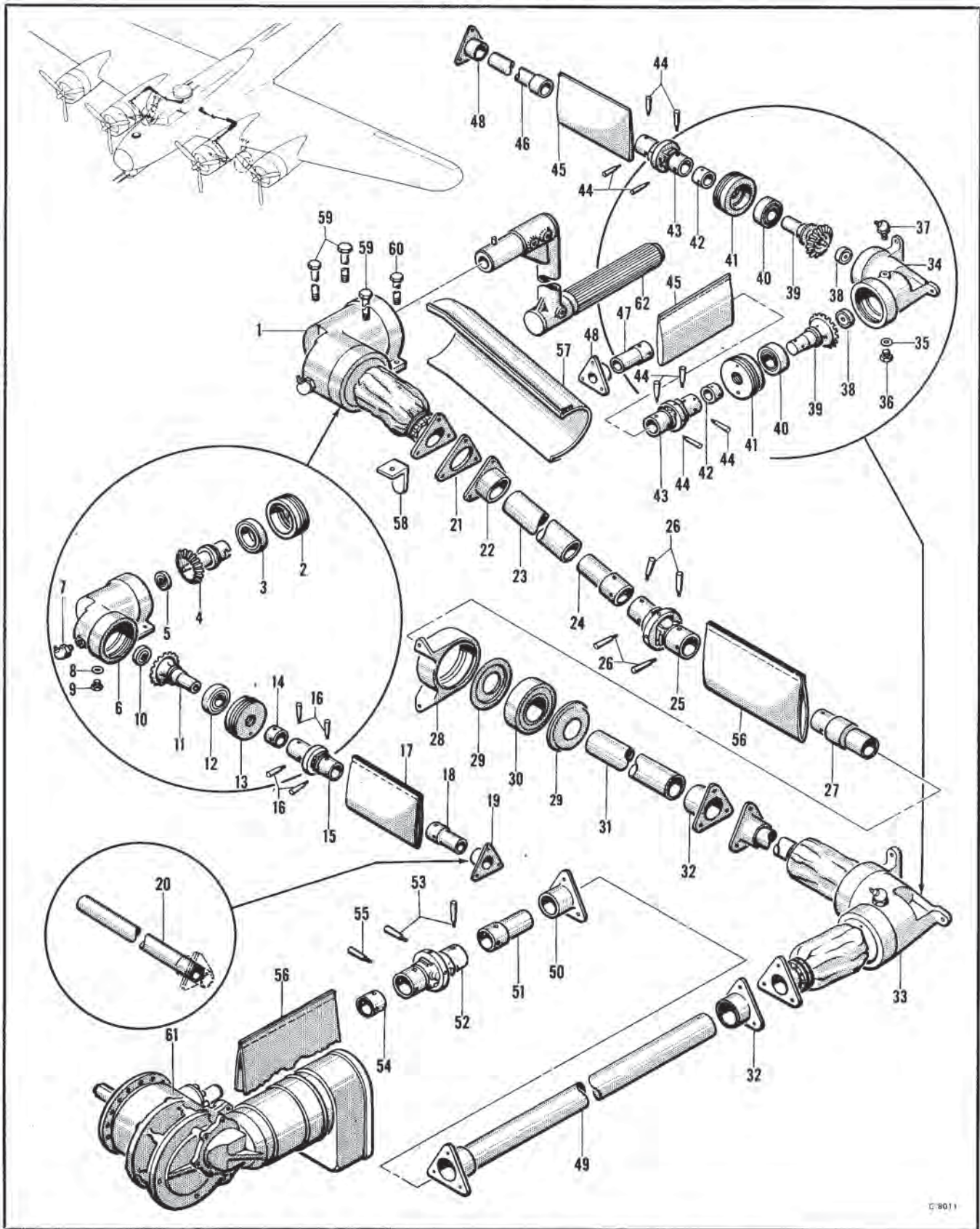


Figure 169—Landing Gear Hand Retracting Control

AN 01-20EG-4

ALIGHTING GEAR

Landing Gear Hand Retracting Control

Figure & Index No.	Part Number	1	2	3	4	5	6	7	Nomenclature	Usage Code	Units Per Assy.
									Landing Gear Hand Retracting Control		
	55-5593								Installation—Landing gear hand retracting control (LH) (see fig. 166)	All	NP
	55-5593-1								Installation—Landing gear hand retracting control (RH) (see fig. 166)	All	NP
169-1	55-5593-405								Box Assembly—Gear (LH)	GB	1
	55-5593-410								Box Assembly—Gear (LH)	PL	1
	55-5593-406								Box Assembly—Gear (RH)	GB	1
	55-5593-411								Box Assembly—Gear (RH)	PL	1
2	21-6948								Retainer Assembly—Hand retracting mechanism	All	1
3	AN200K5								Bearing—Heavy duty metal shield	All	1
4	21-8440								Gear	All	1
5	S12K								Bearing (Fafnir) (Fafnir S12FT, Federal S12, or Federal S12R optional)	All	1
6	53-6989								Housing (LH)	All	1
	53-6989-1								Housing (RH)	All	1
7	AN286-3								Fitting—Lubricator pressure-grip type PT	All	1
8	AN900-6								Gasket—Copper annular	All	1
9	905-6								Plug—Drilled hex	All	1
10	S10K								Bearing (Fafnir) (Fafnir S10FT, Federal S10, or Federal S10R optional)	All	1
11	21-6867								Gear	All	1
12	AN200K4								Bearing—Heavy duty metal shield	All	1
13	21-6948-3								Retainer Assembly—Hand retracting mechanism	All	1
14	51-498-1								Filler	All	1
15	2700-20								Joint—Universal (Apex)	GB	1
	44B6541								Joint—Universal	PL	1
16	AN386-1-10								Pin—Threaded taper	All	4
	21-9751-20								Installation—Boot	GB	NP
17	3-24498-502								Boot Assembly—Universal grease	GB	1
18	41-43								Insert	All	1
19	41-4220-1								Coupling	GB	1
20	55-5593-12								Tube	PL	1
21	1-23504								Shim	All	AR
	1-23504-1								Shim	All	AR
	1-23504-2								Shim	All	AR
	1-23504-3								Shim	All	AR
	55-5593-407								Tube Assembly	GB	1
22	55-5593-409								Tube Assembly	PL	1
	41-4220								Coupling	All	1
23	55-5593-12								Tube	PL	1
24	41-43								Insert	GB	1
25	2700-20								Joint—Universal (Apex)	All	1
	44B6541								Joint—Universal	GB	1
26	AN386-1-10								Pin—Threaded taper	PL	1
27	51-720								Insert—Adapter	All	4
	55-5593-8								Support Assembly	All	1
28	21-6926								Support	All	1
29	21-6947-1								Retainer	All	1
30	1206								Bearing (SKF)	All	2
31	55-5593-19								Tube	All	1
32	41-4220								Coupling	All	2
33	55-5593-401								Box Assembly—Gear (LH)	All	1
	55-5593-402								Box Assembly—Gear (RH)	All	1
34	43-6988								Housing (LH)	All	1
	43-6988-1								Housing (RH)	All	1
35	905-6								Plug—Drilled hex	All	1
36	AN900-6								Gasket—Copper annular	All	1
37	AN286-4								Fitting—Lubricator pressure-grip type PT	All	1
38	S10K								Bearing (Fafnir) (Fafnir S10FT, Federal S10, or Federal S10R optional)	All	1
39	21-6867								Gear	All	2
40	AN200K4								Bearing—Heavy duty metal shield	All	2
41	21-6948-3								Retainer Assembly	All	2
42	51-498-1								Filler	All	2
43	2700-20								Joint—Universal (Apex)	GB	2
	44B6541								Joint—Universal	PL	2
44	AN386-1-10								Pin—Threaded taper	All	4
	21-9751-20								Installation—Boot	GB	NP
45	3-24498-502								Boot Assembly—Universal grease	GB	1
46	41-43-2								Insert	All	1
47	41-43								Insert	All	1
48	41-4220-1								Coupling	All	2
49	55-5593-403								Tube Assembly	All	1
	55-5593-408								Coupling Assembly	All	1
50	41-4220-1								Coupling	All	1
51	41-43								Insert	All	1
52	2700-20								Joint—Universal (Apex)	All	1
	44B6541								Joint—Universal	GB	1
53	AN386-1-10								Pin—Threaded taper	PL	1
54	51-498								Filler	All	2
55	AN386-2-10								Pin—Threaded taper	All	1
	21-9751-20								Installation—Boot	All	1
56	3-24498-502								Boot Assembly—Universal grease	GB	NP
57	3-11370-4								Cover Assembly (LH)	GB	1
	3-11370								Cover Assembly (RH)	All	1
58	41-782								Angle	All	1
59	NAS54A34								Bolt—Close tolerance	All	3
60	NAS54A35								Bolt—Close tolerance	All	3
61	15-6345								Installation—LG retracting motor (LH) (see fig. 45)	All	NP
	15-6345-1								Installation—LG retracting motor (RH) (see fig. 45)	All	NP
62	AN4098-1								Crank—Inertia starter hand (see fig. 69)	All	Ref

ALIGNING GEAR

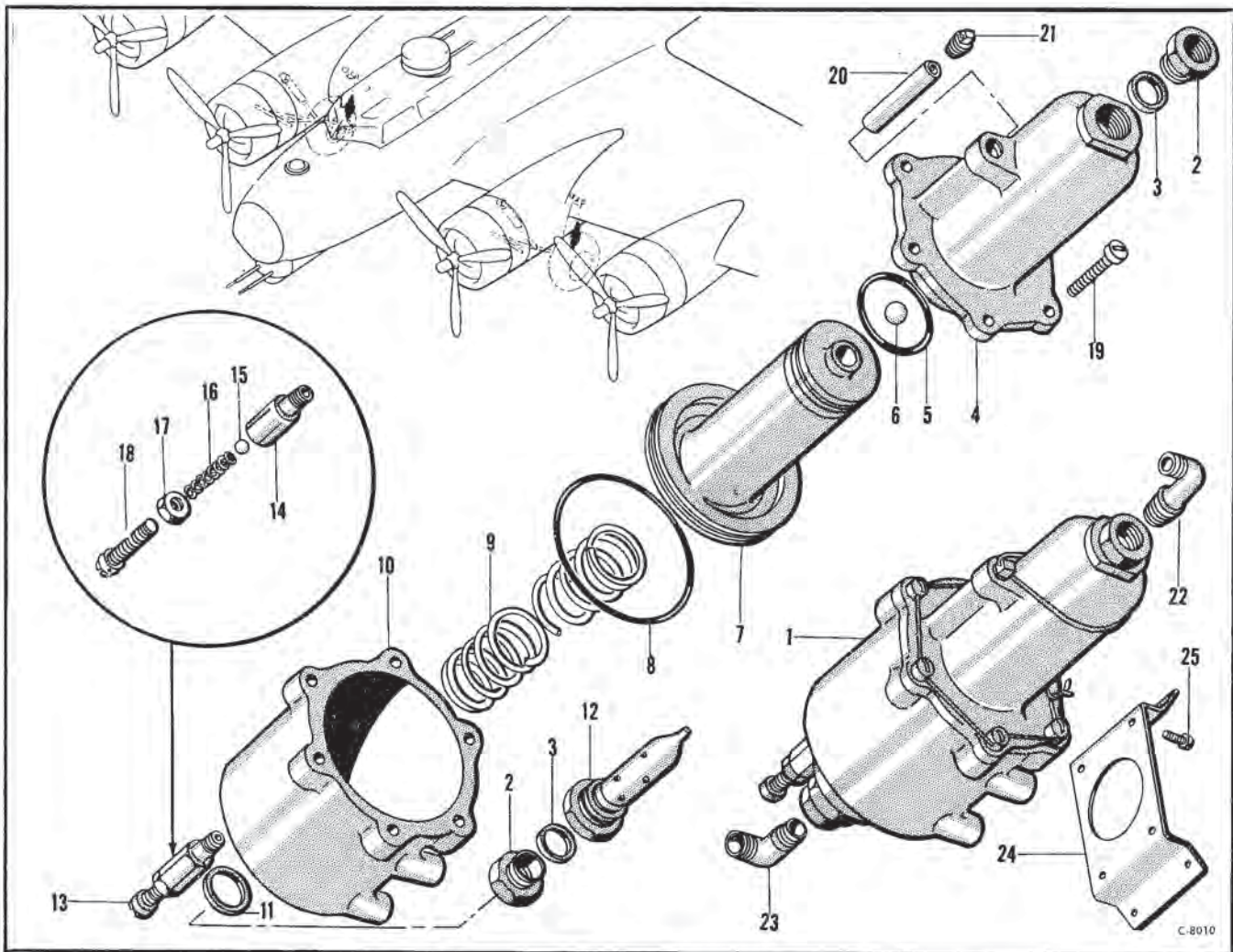


Figure 170—Brake Return Valve Assembly

Brake Return Valve Assembly

Figure & Index No.	Part Number	1 2 3 4 5 6 7	Nomenclature	Usage Code	Units Per Assy.
	15-10414-26		Valve Assembly—Brake return (see fig. 166)	All	Ref
170-1	9-7207		Valve Assembly—Brake return	All	1
2	1-29962		Adapter—Return boost	All	2
3	AN902-10		Gasket—Flared tube universal fitting	All	2
4	8-2654		Cylinder—Return boost	All	1
5	AN6227-32		Packing—"O" ring hydraulic	All	1
6	9-7207-1		Ball	All	1
7	9-5611		Piston—Return boost	All	1
8	AN6227-49		Packing—"O" ring hydraulic	All	1
9	1-28115		Spring—Compression	All	1
10	8-2653		Body—Return boost	All	1
11	AN902-20		Gasket—Flared tube universal fitting	All	1
12	3-19753		Tube Assembly—Return boost	All	1
13	3-19982		Valve Assembly—Deboost relief	All	1
14	3-19982-1		Body	All	1
15	3-19982-2		Ball	All	1
16	1-27735		Spring—Compression	All	1
17	AN316-6L		Nut—Aircraft check	All	1
18	AN501A616-20		Screw—Fillister head	All	1
19	AN503-516-24		Screw—Aircraft fillister head	All	6
20	9-7207-2		Filter—Saran	All	1
21	AN913-2		Plug—Pipe thread square head	All	1
22	811CT8		Fitting—Solderless	All	1
23	AN822-8		Elbow—90 degree	All	1
24	3-20110		Bracket—Return boost	All	1
25	AN500A416-8		Screw—Fillister head	All	4

ALIGNING GEAR

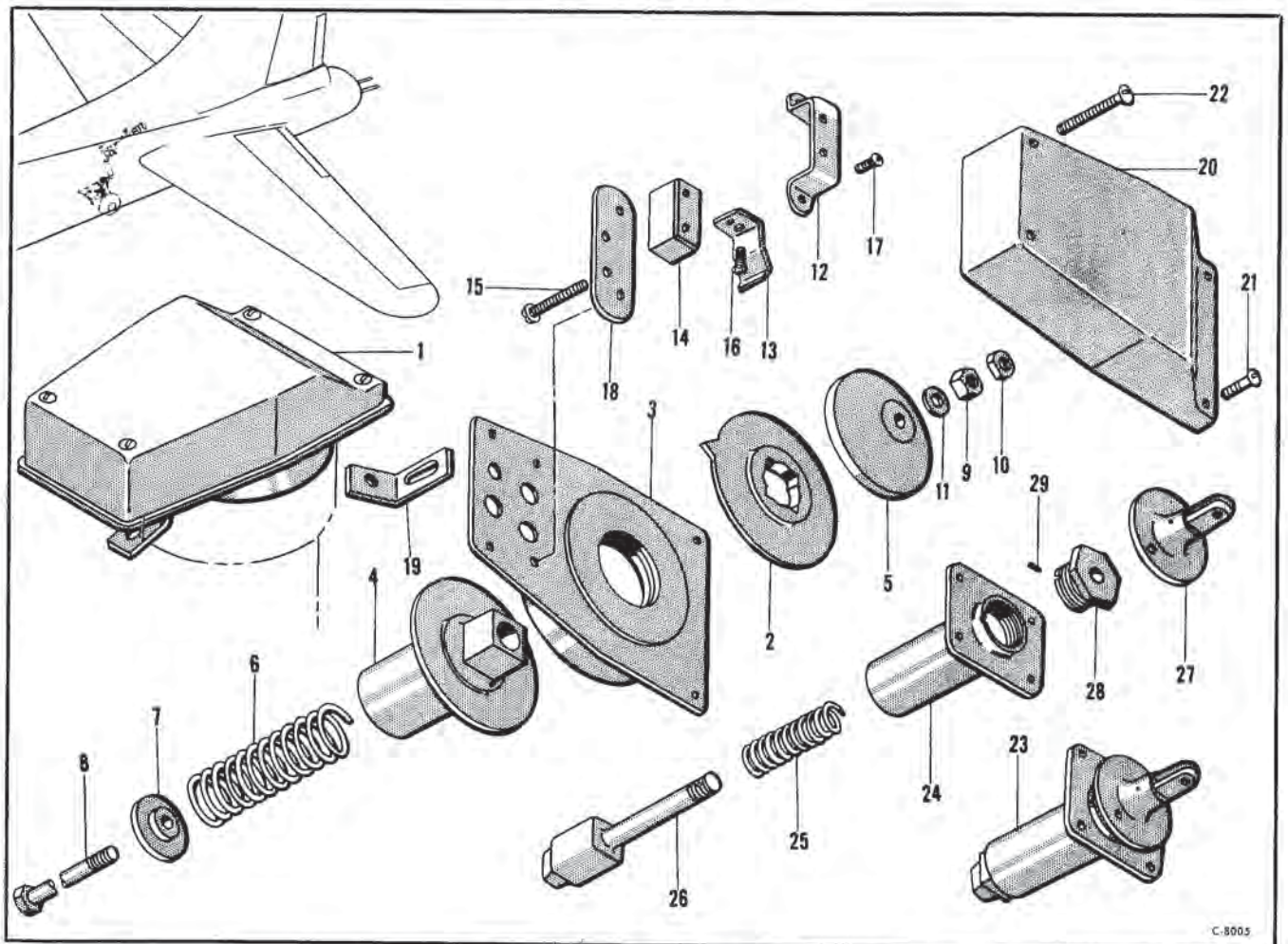


Figure 171—Tail Gear Brake and Lock Assemblies

Tail Gear Brake and Lock Assemblies

Figure 6 Index No.	Part Number	1 2 3 4 5 6 7	Nomenclature	Usage Code	Units Per Assy.
171-1	55-7470-408		Tail Gear Brake and Lock Assemblies.		
	6-9281		Brake Assembly (see fig. 172)	All	Ref
2	1-18077		Brake Assembly—Tail wheel	All	1
3	3-12988		Disc Assembly—Tail wheel brake	All	1
4	41-3727-3		Disc Assembly—Tail wheel brake	All	1
5	1-18715		Disc Assembly—Tail wheel brake	All	1
6	21-8444		Washer—Compression spring	All	1
7	41-3824-1		Spring—Compression	All	1
8	6-9281-1		Retainer—Tail wheel spring	All	1
9	AN315-5R		Bolt (make from AN5-40A)	All	1
10	AN316-5R		Nut—Aircraft plain	All	1
11	AN960-516		Nut—Aircraft check	All	1
	6-9356		Washer—Plain	All	1
	6-9356-1		Installation—Tail wheel center switch	All	NP
12	1-18643		Spring Assembly	All	1
13	1-18644		Channel—Switch	All	1
14	G-R		Spring—Switch	All	1
15	AN526-632R16		Switch (Micro Switch)	All	1
16	AN515-6R6		Screw—Truss head	All	2
	AN365-632		Screw—Round head coarse thread	All	1
17	AN520-10R7		Nut—Self-locking	All	3
	AN365-1032		Screw—Round head fine thread	All	2
18	1-18642		Nut—Self-locking	All	2
19	1-18463		Plate—Cover	All	1
20	6-8952		Keeper—Brake Assembly	All	1
21	AN520-10R14		Cover—Tail wheel brake	All	1
22	AN520-10R32		Screw—Round head fine thread	All	2
	AN365-1032		Screw—Round head fine thread	All	2
23	3-10080-2		Nut—Self-locking	All	4
24	41-3413		Lock Assembly—Tail wheel (see fig. 172)	QG	Ref
25	21-7829		Sleeve Assembly—Tail wheel lock	QG	1
26	41-3412		Spring—Compression	QG	1
27	41-9807		Pin—Tail wheel lock	QG	1
28	81-3414		Terminal—Tail wheel lock	QG	1
29	AN565D8-3		Nut—Tail wheel lock	QG	1
			Screw—Headless set machine	QG	1

ALIGHTING GEAR

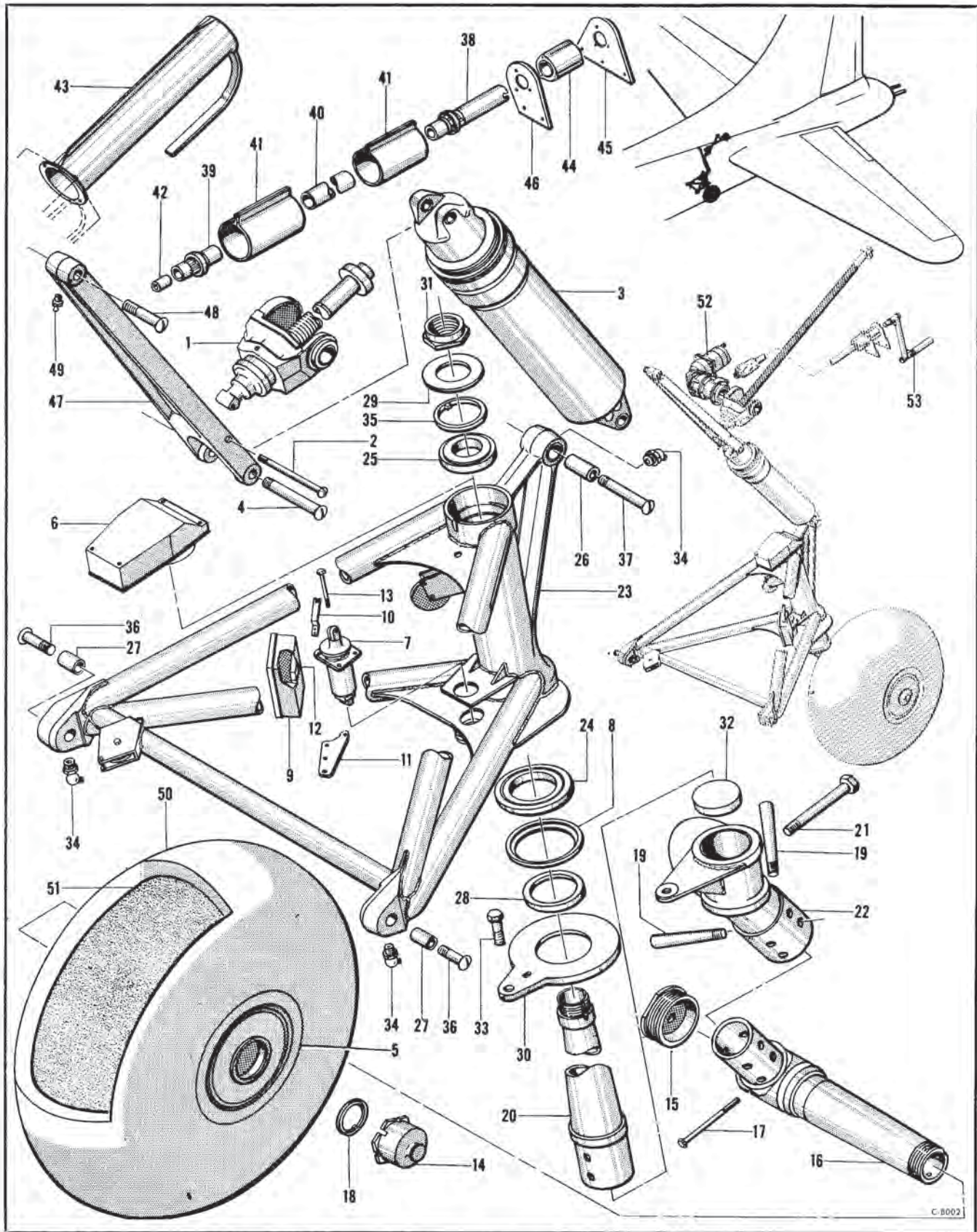


Figure 172—Tail Gear

ALIGHTING GEAR

Tail Gear

Figure & Index No.	Part Number	1 2 3 4 5 6 7	Nomenclature	Usage Code	Units Per Assy.
			Tail Gear		
	55-7470		Installation—Tail gear	All	NP
172-1	69-1787		Retracting Assembly—Tail gear (see fig. 174)	W	1
	69-1787-13		Retracting Assembly—Tail gear (see fig. 175)	QG	1
2	AN25-78		Bolt—Clevis	All	1
	AN320-5		Nut—Aircraft shear	All	1
3	8-1285		Oleo Assembly—Tail gear (see fig. 173)	All	1
	8-1285-6		Oleo Assembly—Tail gear	All	1
4	AN32-86		Bolt—Clevis	All	1
	AN320-12		Nut—Aircraft shear	All	1
5	G3-217A		Wheel Assembly—Tail GFE	All	1
	55-7470-403		Treadle Assembly	All	1
6	55-7470-408		Brake Assembly (see fig. 171)	All	1
7	3-10080-2		Lock Assembly—Tail wheel (see fig. 171)	QG	1
8	3-13655		Retainer Assembly—Grease	All	1
	6-9355		Installation—Tail wheel lock switch	All	NP
	6-9355-1		Shield Assembly	All	1
9	3-13371		Shield Assembly	All	1
10	1-18597		Spring—Locking switch	All	1
11	1-18609-1		Plate—Locking switch	All	1
12	R-RS		Switch (Micro Switch Corp.)	All	1
13	21-6092-45-31		Bolt	All	1
	15-7369		Knuckle and Axle Assembly—Tail wheel	All	1
14	1-18075		Terminal—Tail wheel axle	All	1
15	1-18076		Terminal—Tail wheel axle	All	1
16	6-8945		Axle—Tail wheel	AC	1
	6-8945-2		Axle—Tail wheel	LO	1
17	AN3-40		Bolt—Aircraft	All	1
	AN310-3		Nut—Aircraft castle	All	1
18	AN7503-3		Washer—Wheel bearing retaining	All	1
19	AN386-7-27		Pin—Threaded taper	All	4
	AN320-8		Nut—Aircraft shear	All	4
20	6-8959		Spindle—Tail wheel	All	1
21	NAS60-43-5		Bolt—Close tolerance	All	2
	AN310-10		Nut—Aircraft castle	All	2
22	9-3428		Knuckle Assembly—Tail wheel	All	1
	15-7389		Treadle Assembly—Tail gear	All	1
23	15-7389-1		Treadle Assembly	All	1
24	34306		Cone—Bearing (Timken)	All	1
	34478		Cup—Bearing (Timken)	All	1
25	368		Cone—Bearing (Timken)	All	1
	362A		Cup—Bearing (Timken)	All	1
26	15-7389-19		Bushing	All	1
27	15-7389-20		Bushing	All	2
28	1-18095		Spacer—Tail wheel spindle	All	1
29	1-18097		Guard—Bearing	All	1
30	3-13006		Ring—Tail wheel lock	All	1
31	15-7470-3		Nut	All	1
32	15-7470-7		Plug	All	1
33	AN8DD13		Bolt—Aircraft	All	1
	AN310D8		Nut—Aircraft castle	All	1
34	AN286-3		Fitting—Lubricator pressure-grip type PT	All	3
35	AN7503-2		Washer—Wheel bearing retaining	All	1
36	AN32-40		Bolt—Clevis	All	2
37	AN32-62		Bolt—Clevis	All	1
	AN320-12		Nut—Aircraft shear	All	3
	55-7470-402		Tube Assembly	All	1
38	3-14954		Coupling Assembly—Tail gear mechanism	All	1
	BAC1851-16		Joint—Universal	GB	1
	44B6540-3		Joint—Universal	PL	1
39	BAC1851-16		Joint—Universal	GB	1
	44B6540		Joint—Universal	PL	1
40	15-7470-15		Tube	All	1
	21-9751-16		Installation—Universal grease boot	GB	NP
41	3-24498-2		Boot Assembly—Universal grease	GB	2
42	1-18776		Filler—Tail gear hand retracting	All	1
	15-11308		Installation—Tail wheel retracting screw cover	QG	NP
43	9-6022		Cover Assembly—Tail wheel retracting screw	QG	1
44	3-14953		Housing Assembly—Tail gear hand retracting mech	All	1
	A1521		Bearing (Chrysler Corp.)	All	2
45	3-15190		Bracket—Tail gear retractor	E	1
	3-25189		Bracket—Tail gear retractor	ZE	1
46	3-15190-1		Bracket—Tail gear retractor	E	1
	3-25189-1		Bracket—Tail gear retractor	ZE	1
47	15-7378		Yoke—Tail wheel	All	1
48	AN32-64		Bolt—Clevis	All	1
49	AN286-1		Fitting—Lubricator pressure-grip type PT	All	1
50	NO NUMBER		Casing—Tire, 26.00 in., 12 ply rating (Spec MIL-C-5041 Type 1) (Class 04-C) (AF Stock No. 3900-254800)	All	1
51	NO NUMBER		Tube—Inner, 26.00 in. (Spec MIL-T-5014 Type 1) (Class 04-C) (AF Stock No. 3900-742550)	All	1
52	55-7622		Installation—Tail gear retracting motor (see fig. 115)	All	NP
53	AN4098-1		Crank—Inertia starter hand (see fig. 69)	All	Ref

ALIGHTING GEAR

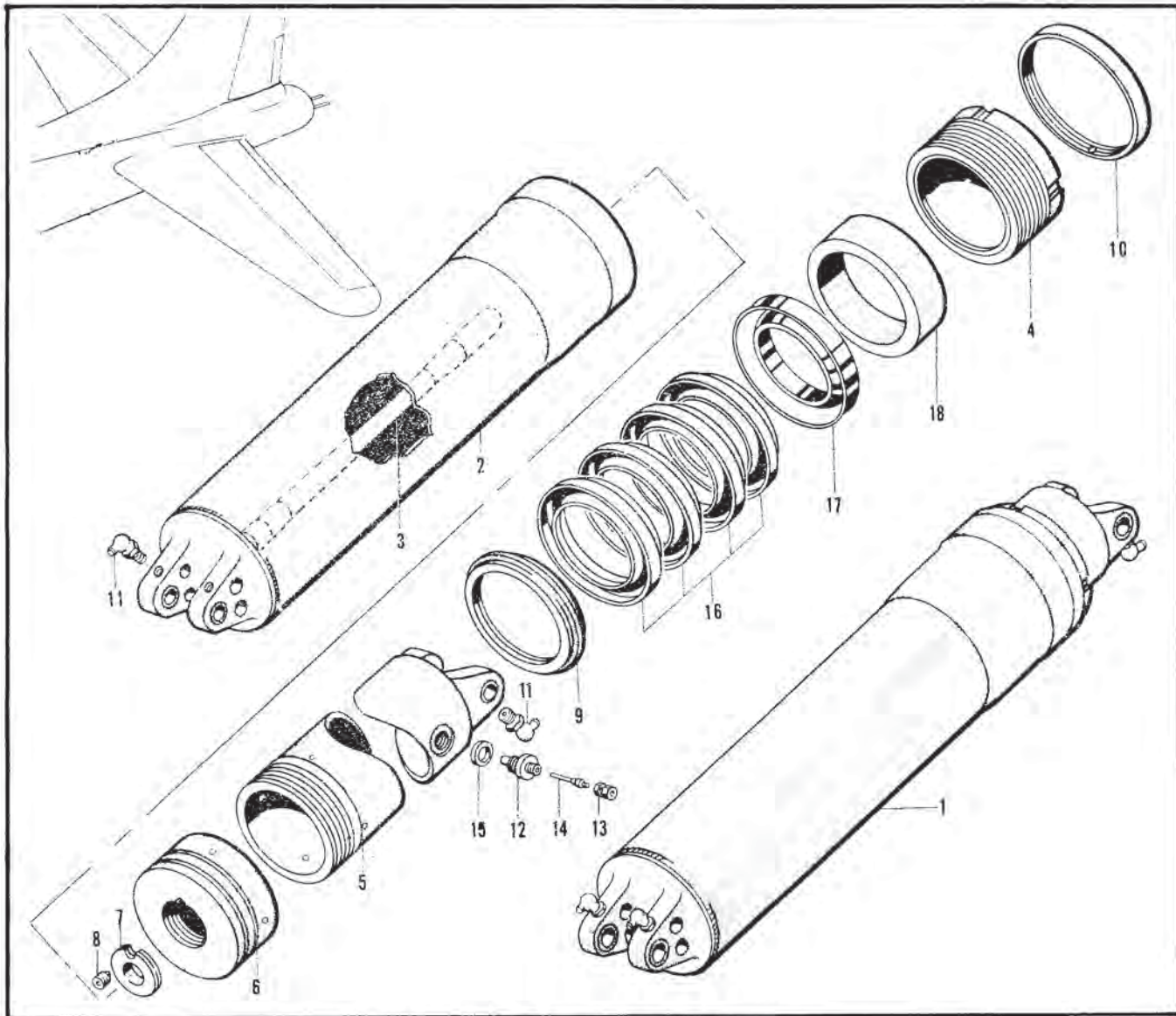


Figure 173-Tail Gear Oleo Assembly

Tail Gear Oleo Assembly

Figure & Index No.	Part Number	1	2	3	4	5	6	7	Nomenclature	Usage Code	Units Per Assy.
173-1	8-1285								Oleo Assembly-Tail gear (see fig. 172)	All	Ref
2	8-1285-1								Cylinder Assembly-Weld	All	1
	3-13555								Terminal Assembly-Tail oleo lower	All	1
3	3-13540								Rod-Orifice	All	1
4	3-13537								Nut Assembly-Oleo packing	All	1
	1-18372								Bushing	All	1
	6-9283								Piston Assembly-Tail gear oleo	All	1
5	6-9284								Rod Assembly-Oleo piston	All	1
6	1-18375								Piston-Tail gear oleo	All	1
7	41-5584								Plate-Oleo orifice	All	1
8	AN565D8-4								Screw-Headless set machine	All	1
9	1-18374								Ring-Lower packing	All	1
10	3-13577								Ring-Locking	All	1
11	AN286-3								Fitting-Lubricator pressure grip type PT	All	4
12	AN812-1								Body-High pressure air valve	All	1
13	AN813-1								Cap-High pressure air valve	All	1
14	AN809-1								Core-High pressure air valve	All	1
15	AN901-5C								Gasket-Metal tube connection seal	All	1
16	AN6225-49								Packing-"V" ring hydraulic	All	4
17	AN6228-49								Adapter-"V" ring female hydraulic packing	All	1
18	42B498-14-400-118								Ring-Packing filler	All	1

ALIGHTING GEAR

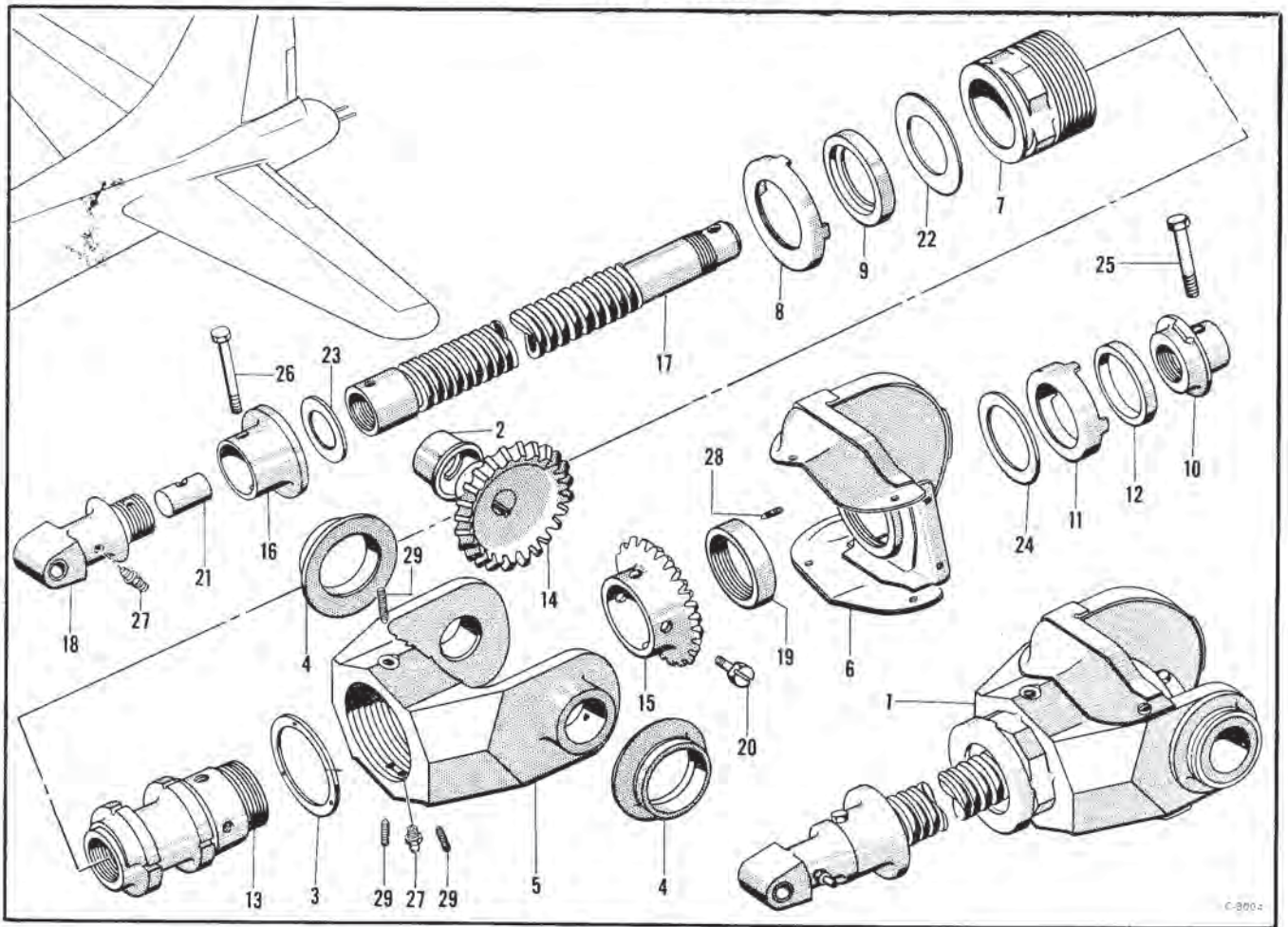


Figure 174—Tail Gear Retracting Assembly

Tail Gear Retracting Assembly

Figure & Index No.	Part Number	1	2	3	4	5	6	7	Nomenclature	Usage Code	Units Per Assy.
174-1	69-1787								Retracting Assembly—Tail gear (see fig. 172).	W	Ref
	69-1787-4								Housing Assembly	W	1
2	21-6420								Bearing—Tail gear retracting gear	W	1
3	21-6717								Ring—Tail gear retracting gear	W	1
4	21-6718-3								Bearing—Tail gear retracting gear	W	2
5	56-3989								Housing—Tail wheel retracting gear	W	1
6	6-4048								Cover Assembly—Tail wheel retracting gear	W	1
7	21-6294								Cap Assembly—Tail wheel retracting gear	W	1
8	21-6294-3								Cap	W	1
9	21-6294-4								Retainer	W	1
	21-6294-5								Bumper	W	1
10	21-6355								Stop Assembly—Tail wheel retracting screw	W	1
11	21-6355-1								Stop	W	1
12	21-6355-3								Retainer	W	1
13	51-219								Bumper—Tail wheel retracting screw	W	1
14	3-15117								Nut—Tail wheel retracting screw	W	1
15	21-6305								Gear—Tail wheel retracting gear	W	1
16	21-6306								Gear—Tail wheel retracting gear	W	1
17	21-6356								Stop—Tail wheel retracting screw	W	1
18	3-14654								Screw—Tail gear retracting	W	1
19	6-9343								Terminal Assembly—Tail gear retracting screw	W	1
20	6-9343-3								Bushing	W	1
21	21-6359								Collar—Tail gear retracting gear	W	1
22	21-6377-6-3								Bolt—Shoulder	W	1
23	69-1787-1								Plug	W	1
24	69-1787-2								Shim	W	1
25	69-1787-14								Shim	W	1
26	69-1787-15								Shim	W	1
27	AN4-14								Bolt—Aircraft	W	1
28	AN310-4								Nut—Aircraft castle	W	1
29	AN4-21								Bolt—Aircraft	W	2
	AN286-1								Lubricator—Pressure-grip type PT	W	1
	AN565D8-4								Screw—Headless set machine	W	2
	AN565D10-6								Screw—Headless set machine	W	3

Section I I
Group Assembly Parts List

AN 01-20EG-4

ALIGHTING GEAR

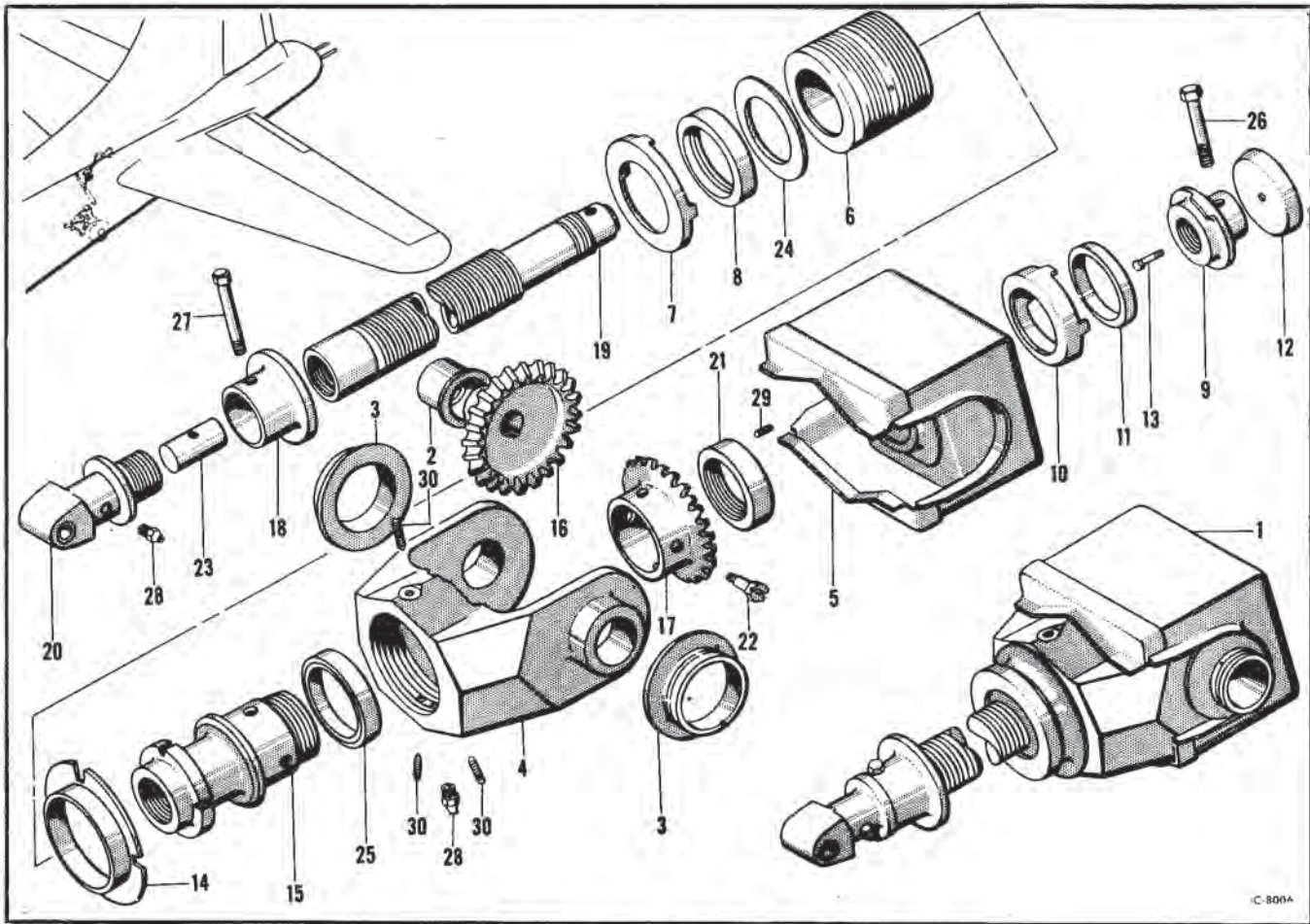


Figure 175—Tail Gear Retracting Assembly

Tail Gear Retracting Assembly

Figure & Index No.	Part Number	1	2	3	4	5	6	7	Nomenclature	Usage Code	Units Per Assy.
175-1	69-1787-13								Retracting Assembly—Tail gear (see fig. 172)	QG	Ref
	69-1787-12								Housing Assembly	QG	1
2	21-6420								Bearing—Tail gear retracting gear	QG	1
3	21-6718-3								Bearing—Tail gear retracting gear	QG	2
4	6-15233								Housing—Tail wheel retracting gear	QG	1
5	6-15242								Cover Assembly—Tail wheel retracting gear	QG	1
	21-6294-7								Cap Assembly—Tail wheel retracting gear	QG	1
6	21-6294-6								Cap	QG	1
7	21-6294-4								Retainer	QG	1
8	21-6294-5								Bumper	QG	1
	21-6355-6								Stop Assembly—Tail wheel retracting screw	QG	1
9	21-6355-7								Stop	QG	1
10	21-6355-3								Retainer	QG	1
11	51-219								Bumper—Tail wheel retracting screw	QG	1
12	1-30479								Guide—Tail wheel retracting gear	QG	1
13	AN3DD6A								Bolt—Aircraft	QG	1
	BAC1099-1032DD								Nut—Cap	QG	1
14	1-30472								Ring—Tail wheel retracting gear	QG	1
15	3-21935								Nut—Tail wheel retracting screw	QG	1
16	21-6305								Gear—Tail wheel retracting gear	QG	1
17	21-6306								Gear—Tail wheel retracting gear	QG	1
18	21-6356								Stop—Tail wheel retracting screw	QG	1
19	3-14654								Screw—Tail gear retracting	QG	1
20	6-9343								Terminal Assembly—Tail gear retracting screw	QG	1
	6-9343-3								Bushing	QG	1
21	21-6359								Collar—Tail gear retracting screw	QG	1
22	21-6377-6-3								Bolt—Shoulder	QG	4
23	69-1787-1								Plug	QG	1
24	69-1787-2								Shim	QG	1
25	BS44								Bearing (Fafnir)	QG	1
	22K1-048								Nut (Elastic Stop Nut Corp.)	QG	1
26	AN4-13A								Bolt—Aircraft	QG	1
27	AN4-20A								Bolt—Aircraft	QG	1
	AN365-428								Nut—Self-locking	QG	1
28	AN286-1								Lubricator—Pressure-grip type PT	QG	2
29	566D8-4								Screw—Headless set machine	QG	1
30	566D10-6								Screw—Headless set machine	QG	3

POWER PLANT

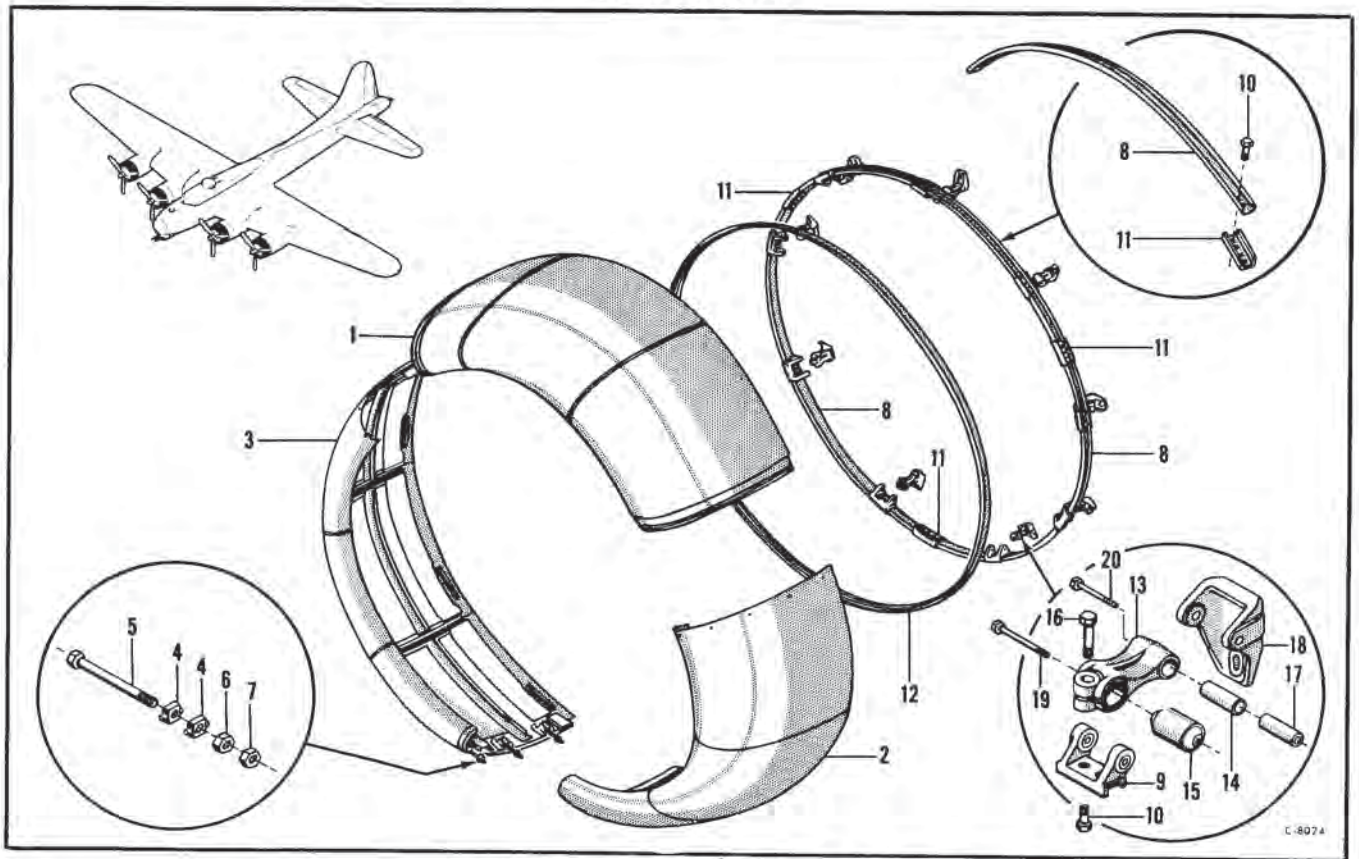


Figure 176—Cowl Anti-drag Ring

Cowl Anti-drag Ring

Figure & Index No.	Part Number	1	2	3	4	5	6	7	Nomenclature	Usage Code	Units Per Assy.
	65-7616								Cowl Anti-drag Ring		
	85-7616-1								Installation—Engine no. 1 and 4 cowl anti-drag ring	All	NP
	65-7616-2								Installation—Engine no. 2 cowl anti-drag ring	All	NP
176-1	65-7962								Installation—Engine no. 3 cowl anti-drag ring	All	NP
2	65-7961								Segment Assembly—Anti-drag ring top	All	1
3	65-7960								Segment Assembly—Anti-drag ring LH	All	1
4	1-21385								Segment Assembly—Anti-drag ring RH	All	1
5	1-21927								Trunnion—Anti-drag ring fastener (used on 65-7960)	All	1
6	AN315-6R								Bolt—Anti-drag ring clamping (used on 65-7960)	All	6
7	AN316-6R								Nut—Aircraft plain (used on 65-7960)	All	3
8	15-8027								Nut—Aircraft check (used on 65-7960)	All	3
9	15-8027-1								Ring Assembly—Anti-drag ring front support	All	3
10	15-8027-3								Channel	All	1
11	3-14902								Channel	MA	3
12	1-21924-4-0375								Support Assembly—Cowling ring forward	RI	1
	AN3-4A								Bushing	All	9
	AN365-1032								Bolt—Aircraft	All	2
	15-8524-2								Nut—Self-locking	All	30
	3-14928-1								Channel—Splice	All	30
	6-16941								Ring—Chafing	All	3
	3-15101-8								Link Assembly—Anti-drag ring	All	1
	3-15101								Link Assembly—Anti-drag ring support	All	9
13	3-15101-7								Link Assembly—Anti-drag ring support	RB	1
	3-15101-2								Link—Anti-drag ring support	YM	1
	3-15101-3								Link—Anti-drag ring support	RB	1
14	J1246-3								Bushing	YM	1
15	AN3-13								Mounting (Lord Mfg. Co.)	All	1
16	AN310-3								Bolt—Aircraft	All	1
17	1-21963-1								Nut—Aircraft castle	All	1
18	3-15102								Spacer	All	1
19	3-14912-2								Bracket Assembly—Anti-drag ring	All	9
	1-20386								Bracket	All	9
	AN4-25								Bushing	All	1
	AN310-4								Bolt—Aircraft	All	2
20	AN4-21								Nut—Aircraft castle	All	9
	AN4-22								Bolt—Aircraft	All	9
	AN960-416								Bolt—Aircraft	All	9
	AN320-4								Washer—Plain	JK	4
									Nut—Aircraft shear	All	9

POWER PLANT

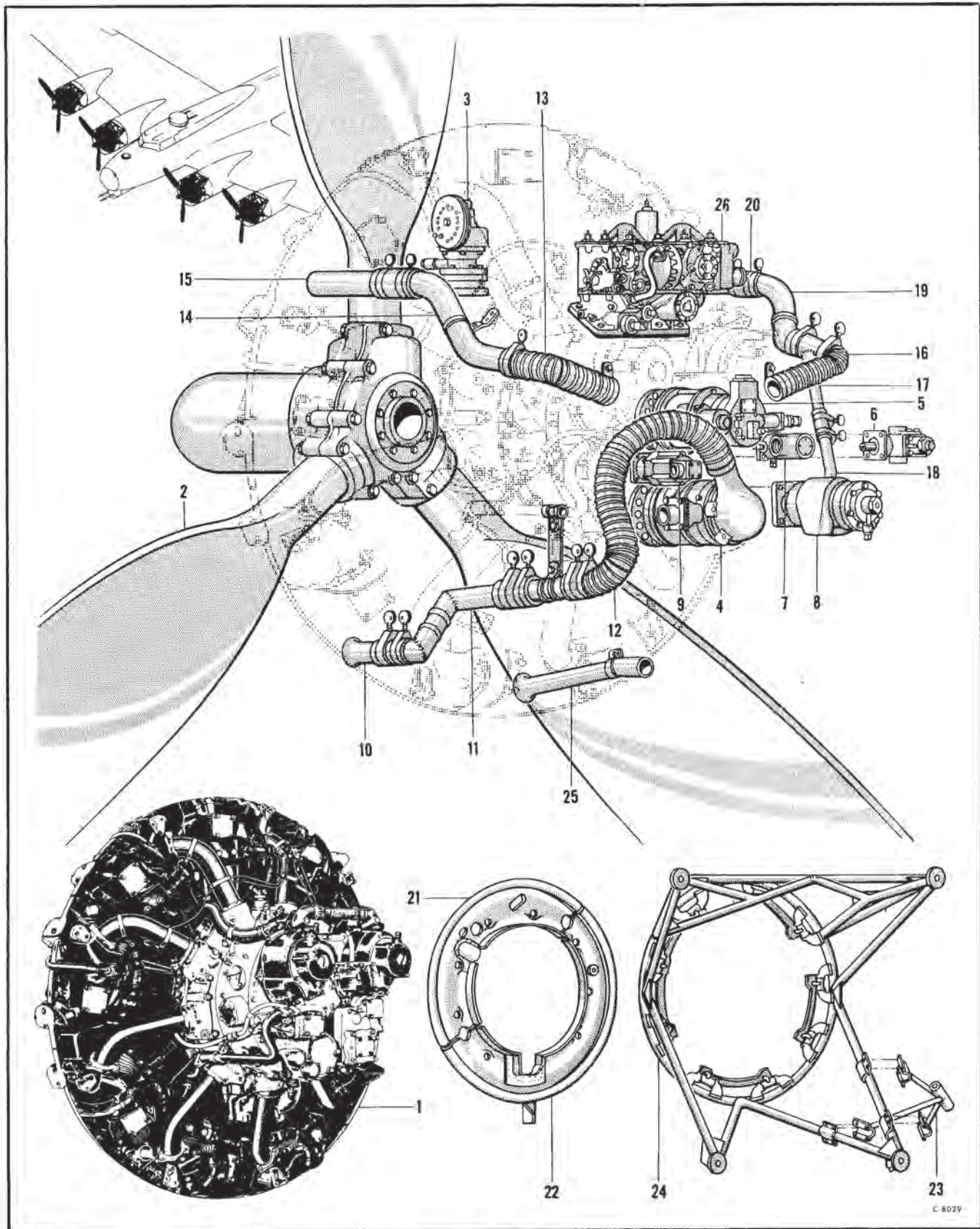


Figure 177—Engine Accessories

AN 01-20EG-4

POWER PLANT

Engine Accessories

Figure & Index No.	Part Number	1 2 3 4 5 6 7	Nomenclature	Usage Code	Units Per Assy.
			Engine Accessories.....		
	65-7359-500		Installation—Engine (LH outboard).....	All	NP
	65-7359-501		Installation—Engine (LH inboard).....	All	NP
	65-7359-502		Installation—Engine (RH inboard).....	All	NP
	65-7359-503		Installation—Engine (RH outboard).....	All	NP
177-1	R1820-97		Engine (Wright Aero) GFE.....	All	1
2	NO NUMBER		Propeller—Wide blade (Spec ANP-22) (Hamilton) GFE.....	All	1
3	4G8G15D		Governor—Propeller (Hamilton) GFE.....	SA	1
	4G8G23D		Governor—Propeller (Hamilton) GFE.....	UJ	1
	4G8G23G1		Governor—Propeller (Hamilton) GFE.....	XL	1
4	AN3074-1		Generator—Class B (Type P-1) GFE.....	All	1
	65-7359-516		Starter Assembly.....	HE	1
	65-7359-507		Starter Assembly.....	HG	1
5	JH3R		Starter (Jack and Heintz) GFE.....	HE	1
	915-4C		Starter (Type G-6) (Eclipse) GFE.....	HG	1
	3-16950		Link Assembly—Starter control.....	All	1
	65-7359-512		Pump Assembly—Fuel (LH outboard).....	All	1
	65-7359-513		Pump Assembly—Fuel (LH inboard).....	All	1
	65-7359-514		Pump Assembly—Fuel (RH inboard).....	All	1
	65-7359-515		Pump Assembly—Fuel (RH outboard).....	All	1
6	AN4101-1		Pump—Power driven fuel (Type G-9) GFE.....	All	1
	65-7359-510		Unit Assembly—Glycol pump (LH inboard only).....	QD	1
7	RD4550		Pump Assembly—Glycol (Romec) (see T.O. AN03-35A-6).....	QD	1
8	NO NUMBER		Pump—Vacuum (Type B-8) (Spec 95-28368) GFE (LH and RH inboard only).....	All	1
9	770G01		Generator—Tachometer (Kollsman) (see T.O. 05-5E-1).....	All	1
	15-9476		Installation—Generator blast tube.....	All	NP
10	3-16917		Tube Assembly—Generator blast intake.....	All	1
11	9-5064		Tube Assembly—Generator blast.....	All	1
12	3-18518		Hose Assembly—Wire support.....	All	1
	15-7681		Installation—Magneto blast tube (LH outboard).....	All	NP
	15-7681-1		Installation—Magneto blast tube (RH outboard).....	All	NP
13	1-19707-4		Tubing Assembly—Flexible.....	EA	1
	3-18518-2		Hose Assembly—Wire support.....	QH	1
14	15-7681-4		Tube—Magneto blast.....	All	1
15	15-7681-9		Tube—Magneto blast.....	All	1
	15-7682		Installation—Magneto blast tube (inboard).....	All	NP
16	1-19706-3		Tubing Assembly—Flexible.....	EA	1
	3-18518-3		Hose Assembly—Wire support.....	QH	1
17	15-7682-2		Tube Assembly—Weld.....	All	1
18	15-7682-6		Tube—Magneto blast.....	All	1
19	15-7682-7		Tube—Magneto blast.....	All	1
20	15-7682-9		Tube—Magneto blast.....	All	1
	15-7653-33		Plate Assembly—Engine air seal (LH outboard).....	All	1
	15-7653-34		Plate Assembly—Engine air seal (LH inboard).....	All	1
	15-7653-35		Plate Assembly—Engine air seal (RH inboard).....	All	1
	15-7653-36		Plate Assembly—Engine air seal (RH outboard).....	All	1
21	15-7653-21		Segment Assembly (LH outboard).....	N	1
	15-7653-20		Segment Assembly (LH inboard).....	N	1
	15-7653-2		Segment Assembly (RH inboard).....	N	1
	15-7653-12		Segment Assembly (RH outboard).....	N	1
	15-7653-41		Segment Assembly (LH outboard).....	WF	1
	15-7653-42		Segment Assembly (LH inboard).....	WF	1
	15-7653-43		Segment Assembly (RH inboard).....	WF	1
	15-7653-44		Segment Assembly (RH outboard).....	WF	1
22	15-7653-31		Segment Assembly—Engine air seal.....	N	1
	15-7653-37		Segment Assembly—Engine air seal.....	WF	1
23	14-3569		Installation—Starter crank support (see fig. 185).....	HE	NP
	14-1820		Installation—Starter crank support (see fig. 184).....	HG	NP
24	65-7359-511		Mount Assembly—Engine dynafocal (see fig. 179 and 180).....	All	1
	9-3370		Installation—Blast tube (outboard).....	All	NP
25	9-3370-1		Tube Assembly—Blast.....	All	2
26	PD12H2		Carburetor (Stromberg) (furnished with engine).....	All	Ref
	15-18502		Installation—Crankcase breather tube.....	All	NP
	15-18502-1		Tube—1 & 4 Engines.....	All	1
	15-18502-4		Tube—No. 2 Engine.....	All	1
	15-18502-5		Tube—No. 3 Engine.....	All	1
	15-18502-6		Tube.....	All	1
	3-32588		Hose—Flexible.....	All	1
	AN846-16		Elbow—Hose Bulkhead 45°.....	All	1
	AN960-2116L		Washer—Plain.....	All	2
	AN924-16		Nut—Flared Tube.....	All	1

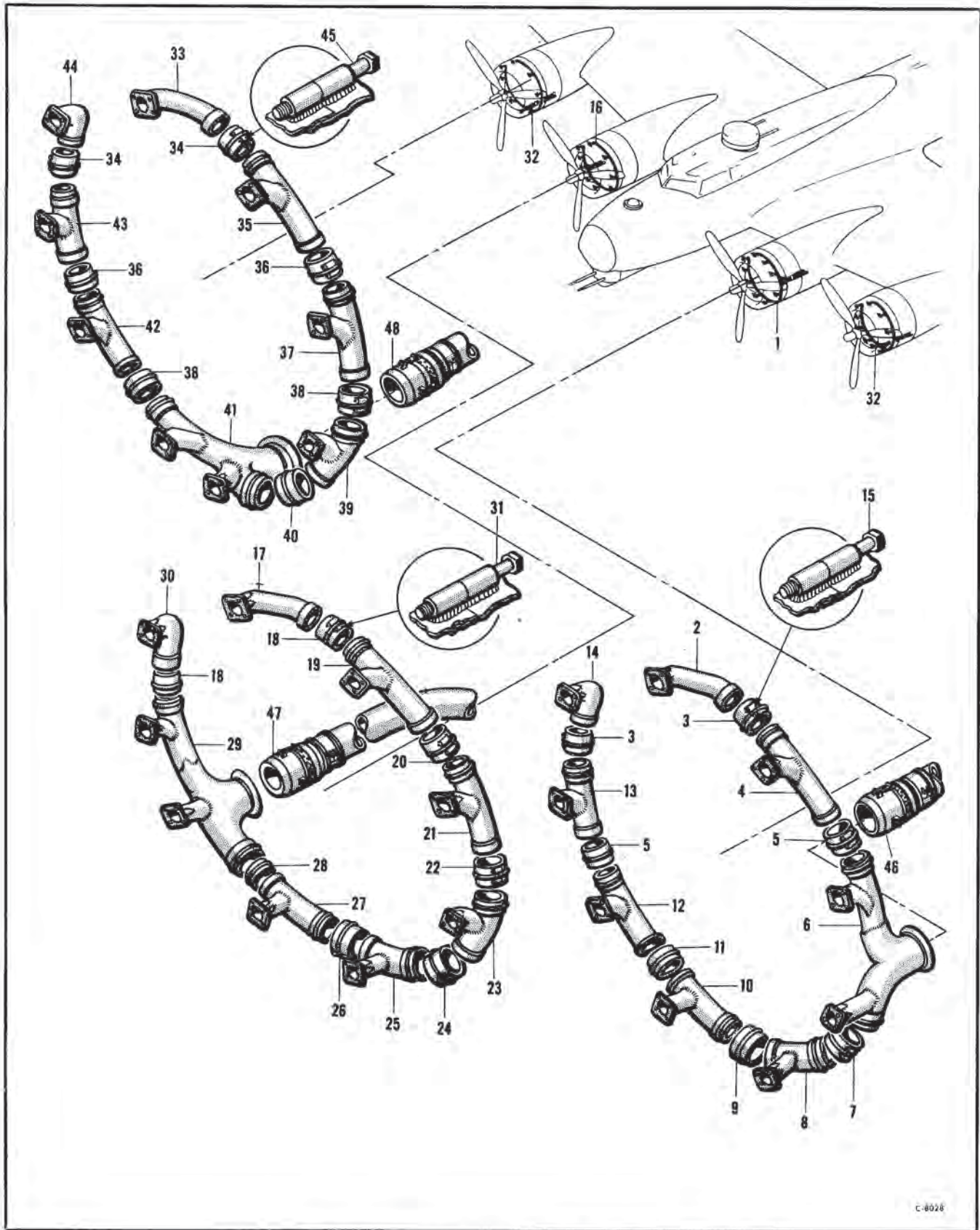


Figure 178—Exhaust Manifold Assemblies

AN 01-20EG-4

POWER PLANT

Exhaust Manifold Assemblies

Figure & Index No.	Part Number	1 2 3 4 5 6 7	Nomenclature	Usage Code	Units Per Assy.
			Exhaust Manifold Assemblies		
			Installation Power Plant	All	NP
178-1	55-6194		Manifold Assembly—LH inboard exhaust.....	All	1
2	55-6193-1		Section Assembly—Weld.....	All	1
3	3-12481-27		Clamp Assembly—Manifold.....	All	2
4	55-6193-9		Section Assembly—Weld.....	All	1
5	3-12481-35		Clamp Assembly—Manifold.....	All	2
6	55-6195-403	6194	Section Assembly—Weld.....	All	1
7	3-13796-51		Clamp Assembly—Manifold.....	All	1
8	55-6194-401		Section Assembly—Weld.....	All	1
9	3-13796-47		Clamp Assembly—Manifold.....	All	1
10	55-6194-5		Section Assembly—Weld.....	All	1
11	3-12481-43		Clamp Assembly—Manifold.....	All	1
12	55-6193-4		Section Assembly—Weld.....	All	1
13	55-6193-3		Section Assembly—Weld.....	All	1
14	55-6193-2		Section Assembly—Weld.....	All	1
15	AN4-14		Bolt—Aircraft.....	All	14
	AN310-4		Nut—Aircraft castle.....	All	14
16	55-6195		Manifold Assembly—RH inboard exhaust.....	All	1
17	55-6193-1		Section Assembly—Weld.....	All	1
18	3-12481-27		Clamp Assembly—Manifold.....	All	2
19	55-6193-9		Section Assembly—Weld.....	All	1
20	3-12481-35		Clamp Assembly—Manifold.....	All	1
21	55-6193-8		Section Assembly—Weld.....	All	1
22	3-12481-43		Clamp Assembly—Manifold.....	All	1
23	55-6193-7		Section Assembly—Weld.....	All	1
24	3-13796-47		Clamp Assembly—Manifold.....	All	1
25	55-6195-403		Section Assembly—Weld.....	All	1
26	3-13796-51		Clamp Assembly—Manifold.....	All	1
27	55-6195-402		Section Assembly—Weld.....	All	1
28	3-13796-53		Clamp Assembly—Manifold.....	All	1
29	55-6195-401	6194	Section Assembly—Weld.....	All	1
30	55-6193-2		Section Assembly—Weld.....	All	1
31	AN4-14		Bolt—Aircraft.....	All	14
	AN310-4		Nut—Aircraft castle.....	All	14
32	55-6193		Manifold Assembly—Outboard exhaust.....	All	2
33	55-6193-1		Section Assembly—Weld.....	All	1
34	3-12481-27		Clamp Assembly—Manifold.....	All	2
35	55-6193-9		Section Assembly—Weld.....	All	1
36	3-12481-35		Clamp Assembly—Manifold.....	All	2
37	55-6193-8		Section Assembly—Weld.....	All	1
38	3-12481-43		Clamp Assembly—Manifold.....	All	2
39	55-6193-7		Section Assembly—Weld.....	All	1
40	3-13796-47		Clamp Assembly—Manifold.....	All	1
41	55-6193-402		Section Assembly—Weld.....	All	1
42	55-6193-4		Section Assembly—Weld.....	All	1
43	55-6193-3		Section Assembly—Weld.....	All	1
44	55-6193-2		Section Assembly—Weld.....	All	1
45	AN4-14		Bolt—Aircraft.....	All	14
	AN310-4		Nut—Aircraft castle.....	All	14
46	95-6525		Tailpipe Assembly—LH inboard (see fig. 17).....	E	Ref
	95-6525-811		Tailpipe Assembly—LH inboard (see fig. 17).....	SE	Ref
	95-6525-820		Tailpipe Assembly—LH inboard (see fig. 17).....	UM	Ref
	95-6525-819		Tailpipe Assembly—LH inboard (see fig. 17).....	GP	Ref
47	85-6525		Tailpipe Assembly—RH inboard (see fig. 17).....	E	Ref
	85-6525-712		Tailpipe Assembly—RH inboard (see fig. 17).....	SE	Ref
	85-6525-722		Tailpipe Assembly—RH inboard (see fig. 17).....	UM	Ref
	85-6525-720		Tailpipe Assembly—RH inboard (see fig. 17).....	GP	Ref
48	65-6690		Tailpipe Assembly—LH outboard (see fig. 17).....	E	Ref
	65-6690-1		Tailpipe Assembly—RH outboard (see fig. 17).....	E	Ref
	65-6690-506		Tailpipe Assembly—Outboard (see fig. 17).....	ZE	Ref

Section I I
Group Assembly Parts List

AN 01-20EG-4

POWER PLANT

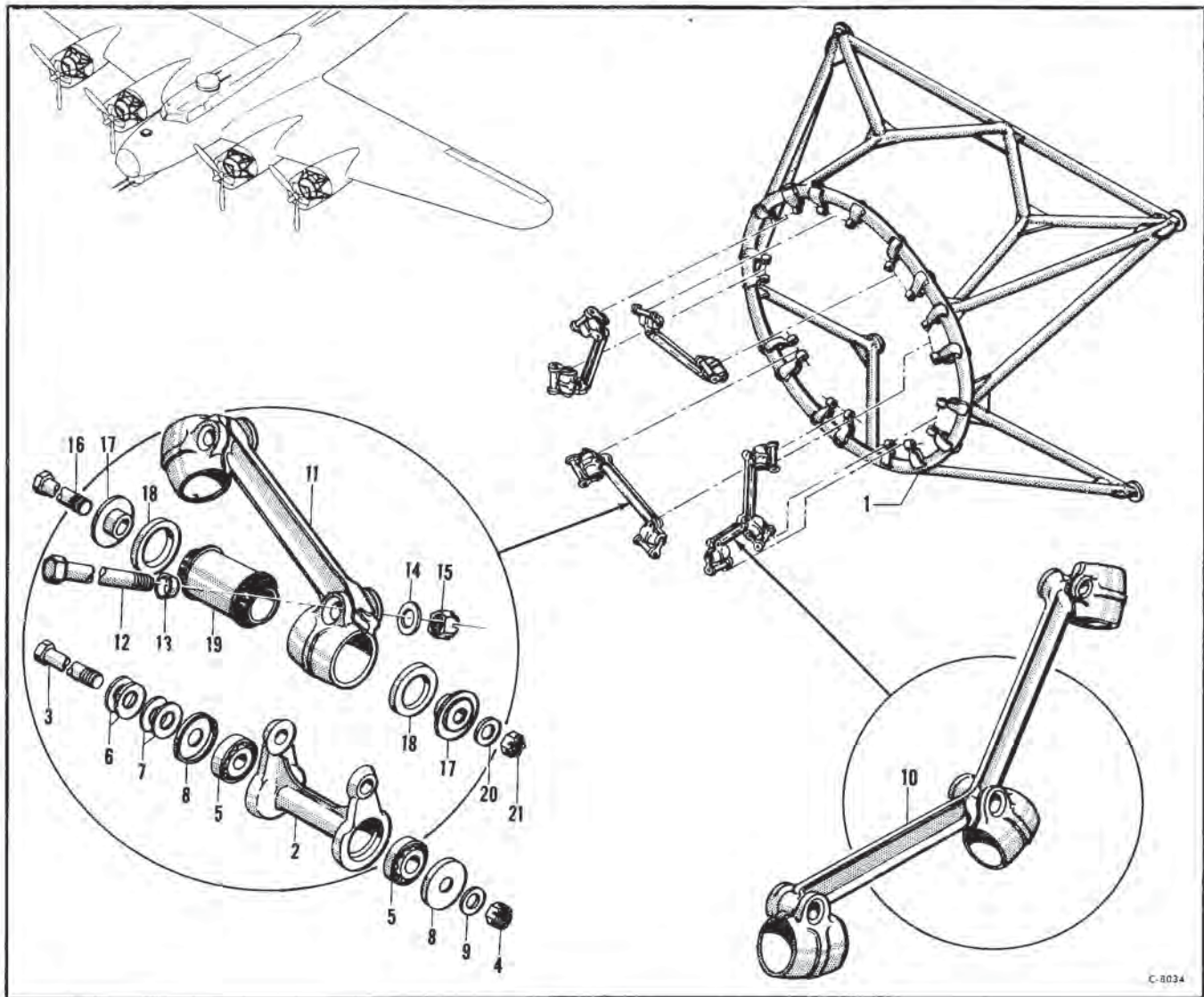


Figure 179—Engine Dynafocal Mount Assembly

Engine Dynafocal Mount Assembly

Figure & Index No.	Part Number	1	2	3	4	5	6	7	Nomenclature	Usage Code	Units Per Assy.
179-1	65-7359-511								Mount Assembly—Engine dynafocal (see fig. 177)	All	Ref
	55-6185								Mount Assembly—Engine	All	1
	15-6246								Installation—Engine mount dynafocal suspension	YA	NP
	RL15SA3								Link Assembly—Engine dynafocal (Lord Mfg. Co.)	All	9
2	RL15-4								Link	All	1
3	NAS56-50-5								Bolt—Close tolerance	All	1
4	AN310-6								Nut—Aircraft castle	All	1
5	RL15-5								Bearing—Roller	All	2
6	RL15-9								Shim	All	2
7	RL15-10								Shim	All	2
8	RL15-21								Cap—Bearing	All	2
9	AN960-616								Washer—Plain	All	1
10	RL15-2								Bracket Assembly—Triple	All	1
11	RL15-3								Bracket Assembly—Double	All	3
12	AN7-53								Bolt—Aircraft	All	9
13	RL15-12								Washer—Spherical	All	9
14	AN960-716								Washer—Plain	All	9
15	AN310-7								Nut—Aircraft castle	All	9
16	AN5-37								Bolt—Aircraft	All	9
17	RL15-13								Plate—End	All	18
18	RL15-22								Washer—Rubber snubbing	All	18
19	RL15-1								Mounting—Rubber	All	9
20	AN960-516								Washer—Plain	All	9
21	AN310-5								Nut—Aircraft castle	All	9
	289000								Installation—Dynamic suspension (Goodyear) (see fig. 180)	SK	NP

POWER PLANT

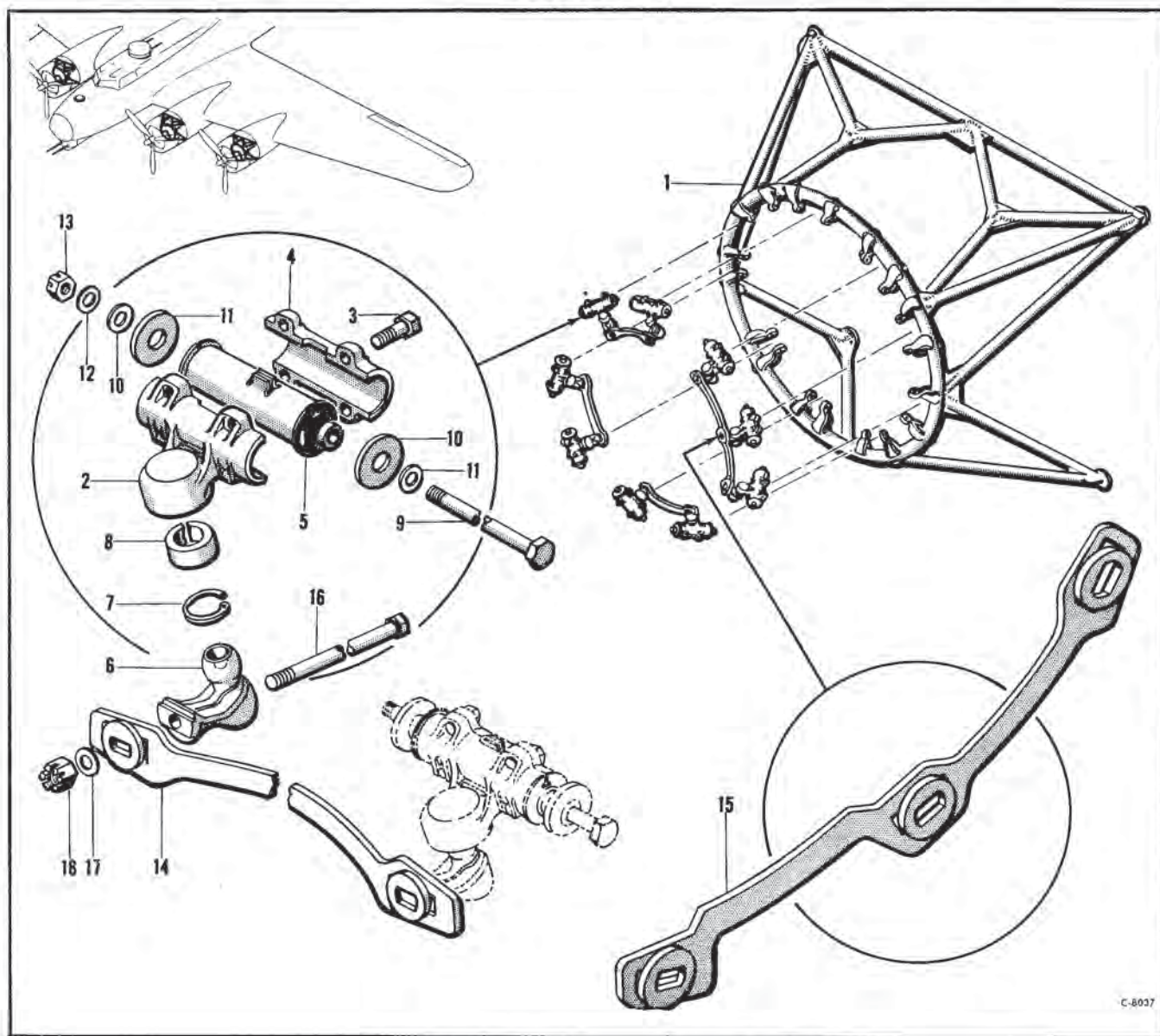


Figure 180—Engine Dynafocal Mount Assembly

Engine Dynafocal Mount Assembly

Figure & Index No.	Part Number	1	2	3	4	5	6	7	Nomenclature	Usage Code	Units Per Assy.
180-1	65-7359-511								Mount Assembly—Engine dynafocal (see fig. 177)	All	Ref
	55-6185								Mount Assembly—Engine	All	1
	289000								Installation—Dynamic suspension (Goodyear)	SK	NP
	215827								Bracket Assembly—Dynamic suspension	All	9
2	215807								Arm—Dynamic suspension	All	1
3	215822								Bolt—Dynamic suspension	All	4
4	215815								Cap—Dynamic suspension	All	1
5	215812								Spring—Dynamic suspension (rubber)	All	1
6	215808								Bracket—Dynamic suspension	All	1
7	215811								Ring—Dynamic suspension	All	1
8	215810								Bearing—Dynamic suspension	All	1
9	NAS56-50-5								Bolt—Close tolerance	All	9
10	215821								Shim—Dynamic suspension	All	AR
11	215820								Washer—Dynamic suspension	All	18
12	AN960-616								Washer—Plain	All	9
13	AN355-6								Nut—Slotted	All	9
14	215804								Arm Assembly—Double torsion	All	3
15	289001								Arm Assembly—Triple torsion	All	1
16	AN7-53								Bolt—Aircraft	All	9
17	AN960-716								Washer—Plain	All	9
18	AN355-7								Nut—Slotted	All	9
	15-6246								Installation—Engine mount dynafocal suspension (see fig. 179)	YA	NP

C-8037

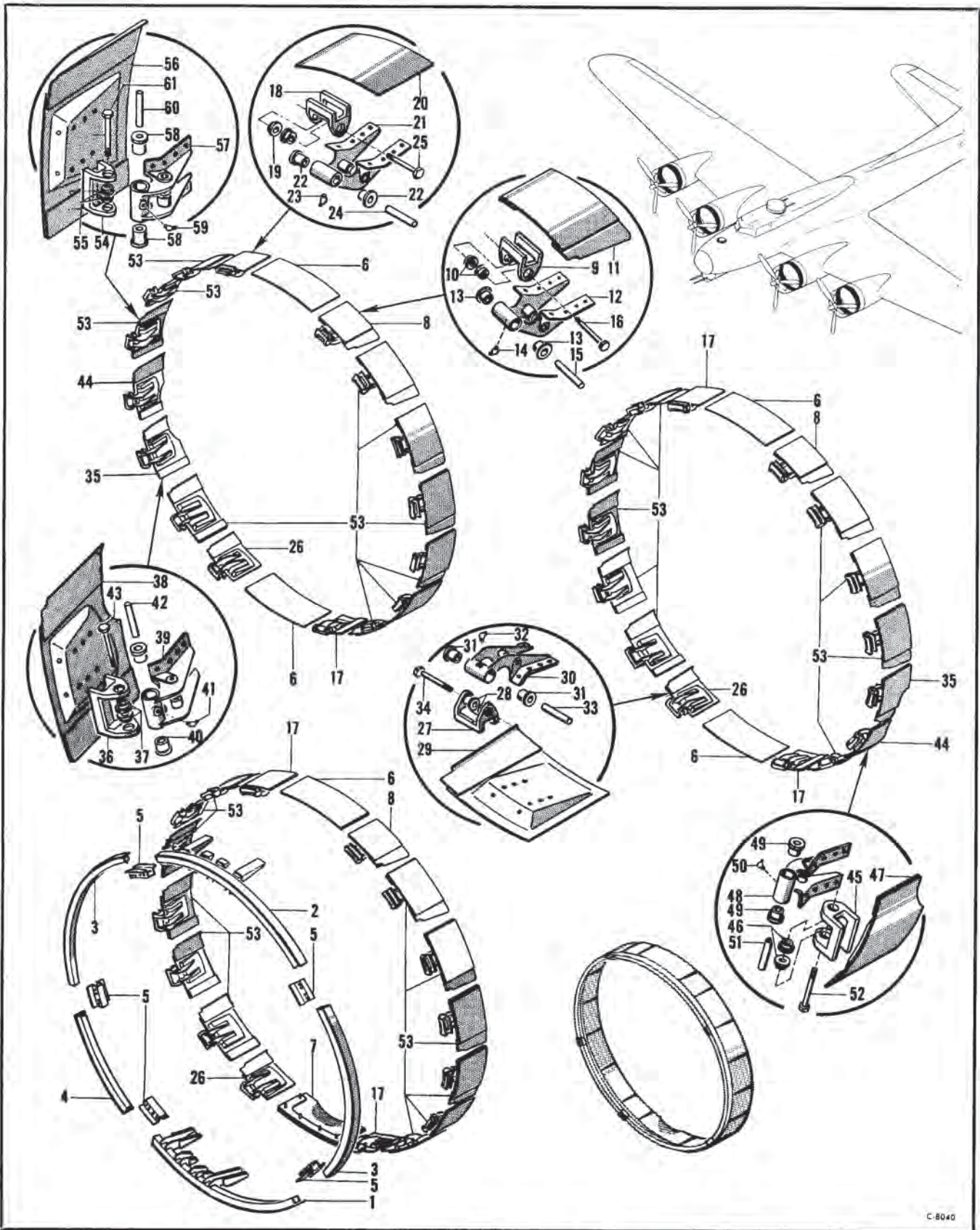


Figure 181—Cowling Flaps

AN 01-20EG-4

POWER PLANT

Cowling Flaps

Figure & Index No.	Part Number	1	2	3	4	5	6	7	Nomenclature	Usage Code	Units Per Assy.
	55-7655								Cowling Flaps		
	55-7655-1								Installation—Cowling flap (outboard) (see fig. 182)	All	NP
	55-7655-2								Installation—Cowling flap (LH inboard) (see fig. 182)	All	NP
	15-7624								Installation—Cowling flap (RH inboard) (see fig. 182)	All	NP
181-1	15-7624-1								Ring Assembly—Cowl flap support	All	1
2	15-7624-2								Tube Assembly—Weld	All	1
3	15-7624-16								Tube Assembly—Weld	All	1
4	15-7624-17								Tube Assembly—Weld	All	2
5	1-20021								Tube Assembly—Weld	All	1
6	9-3682								Channel	All	5
7	15-7662								Flap Assembly—Anti-drag fixed	All	2
8	49-3658								Flap Assembly—Anti-drag fixed (outboard)	All	1
	3-14911								Flap Assembly—Anti-drag special	All	1
9	3-14911-2								Hinge Assembly—Cowling flap	All	1
10	1-21949-2								Hinge—Cowling flap	All	1
11	9-3658-1								Bushing	All	2
	6-10722								Stiffener Assembly—Spotweld	All	1
12	6-10722-2								Lever Assembly—Cowling flaps	All	1
	6-10722-3								Lever	All	1
13	1-20387								Lever	DB	1
	3-27936								Bushing—Cowl flap lever	KL	1
14	NAS2-301								Bushing—Cowl flap lever	DB	2
15	1-21966								Fitting—Lubrication	KL	2
16	AN4-35								Spacer	DB	1
	AN310-4								Bolt—Aircraft	All	1
17	46-10129-1								Nut—Aircraft castle	All	1
18	3-14911								Flap Assembly—Anti-drag special (RH)	All	1
19	3-14911-2								Hinge Assembly—Cowling flap	All	2
	1-21949-2								Hinge—Cowling flap	All	1
20	55-7971-1								Bushing	All	2
	15-7971-3								Flap Assembly—Anti-drag special (RH)	All	1
21	3-15100								Stiffener Assembly—Spotweld	All	1
	6-10473-2								Lever Assembly—Cowling flap	All	1
22	6-10473								Lever	DB	1
	1-20387								Lever	KL	1
23	1-27936								Bushing	DB	2
24	AN287-6								Bushing	KL	2
25	1-21966								Fitting—Lubricator pressure-grip type D	DB	2
26	AN4-35								Spacer	All	1
27	AN310-4								Bolt—Aircraft	All	1
28	46-10129								Nut—Aircraft castle	All	1
29	3-14911								Flap Assembly—Anti-drag special (LH)	All	1
30	3-14911-2								Hinge Assembly—Cowling flap	All	1
31	1-21949-2								Hinge—Cowling flap	All	1
32	55-7971								Bushing	All	2
33	15-7971-2								Flap Assembly—Anti-drag special	All	1
34	3-15100								Stiffener Assembly—Spotweld	All	1
35	6-10473-2								Lever Assembly—Cowling flap	All	1
36	6-10473								Lever	DB	1
37	1-20387								Lever	KL	1
38	1-27936								Bushing	DB	2
39	AN287-6								Bushing	KL	2
40	1-21966								Fitting—Lubricator pressure-grip type D	DB	2
41	AN4-35								Spacer	All	1
42	AN310-4								Bolt—Aircraft	All	1
43	49-3424								Nut—Aircraft castle	All	1
44	3-14911								Flap Assembly—Anti-drag ring (inboard)	All	1
45	3-14911-2								Hinge Assembly—Cowling flaps	All	1
46	1-21949-2								Hinge—Cowling flap	All	1
47	9-3424-1								Bushing	All	2
48	9-3424-1								Stiffener Assembly—Spotweld	All	1
49	9-15100								Lever Assembly—Cowling flap	All	1
50	6-10473-2								Lever	All	1
51	1-20387								Lever	All	1
52	AN287-6								Bushing	All	2
53	1-21966								Fitting—Lubricator pressure-grip type D	All	1
54	AN4-35								Spacer	All	1
55	AN310-4								Bolt—Aircraft	All	1
56	46-10128								Nut—Aircraft castle	All	1
57	3-14911								Flap Assembly—Anti-drag ring (outboard)	All	12
58	3-14911-2								Hinge Assembly—Cowling flap	All	1
59	1-21949-2								Hinge—Cowling flap	All	1
60	9-3614-1								Bushing	All	2
61	3-15100								Stiffener Assembly—Spotweld	All	1
62	6-10473-2								Lever Assembly—Cowling flap	All	1
63	6-10473								Lever	All	1
64	1-20387								Lever	All	1
65	AN287-6								Bushing	All	2
66	1-21966								Fitting—Lubricator pressure-grip type D	All	1
67	AN4-35								Spacer	All	1
68	AN310-4								Bolt—Aircraft	All	1
69	46-10128								Nut—Aircraft castle	All	1
70	3-14911								Flap Assembly—Anti-drag ring (outboard)	All	12
71	3-14911-2								Hinge Assembly—Cowling flap	All	1
72	1-21949-2								Hinge—Cowling flap	All	1
73	55-7970								Bushing	All	2
74	15-7970-1								Flap Assembly—Anti-drag ring	All	1
75	3-15100								Stiffener Assembly—Spotweld	All	1
76	6-10473-2								Lever Assembly—Cowling flap	All	1
77	6-10473								Lever	All	1
78	1-20387								Lever	All	1
79	AN287-6								Bushing	All	2
80	1-21966								Fitting—Lubricator pressure-grip type D	All	1
81	AN4-35								Spacer	All	1
82	AN310-4								Bolt—Aircraft	All	1
83	46-10128								Nut—Aircraft castle	All	1

POWER PLANT

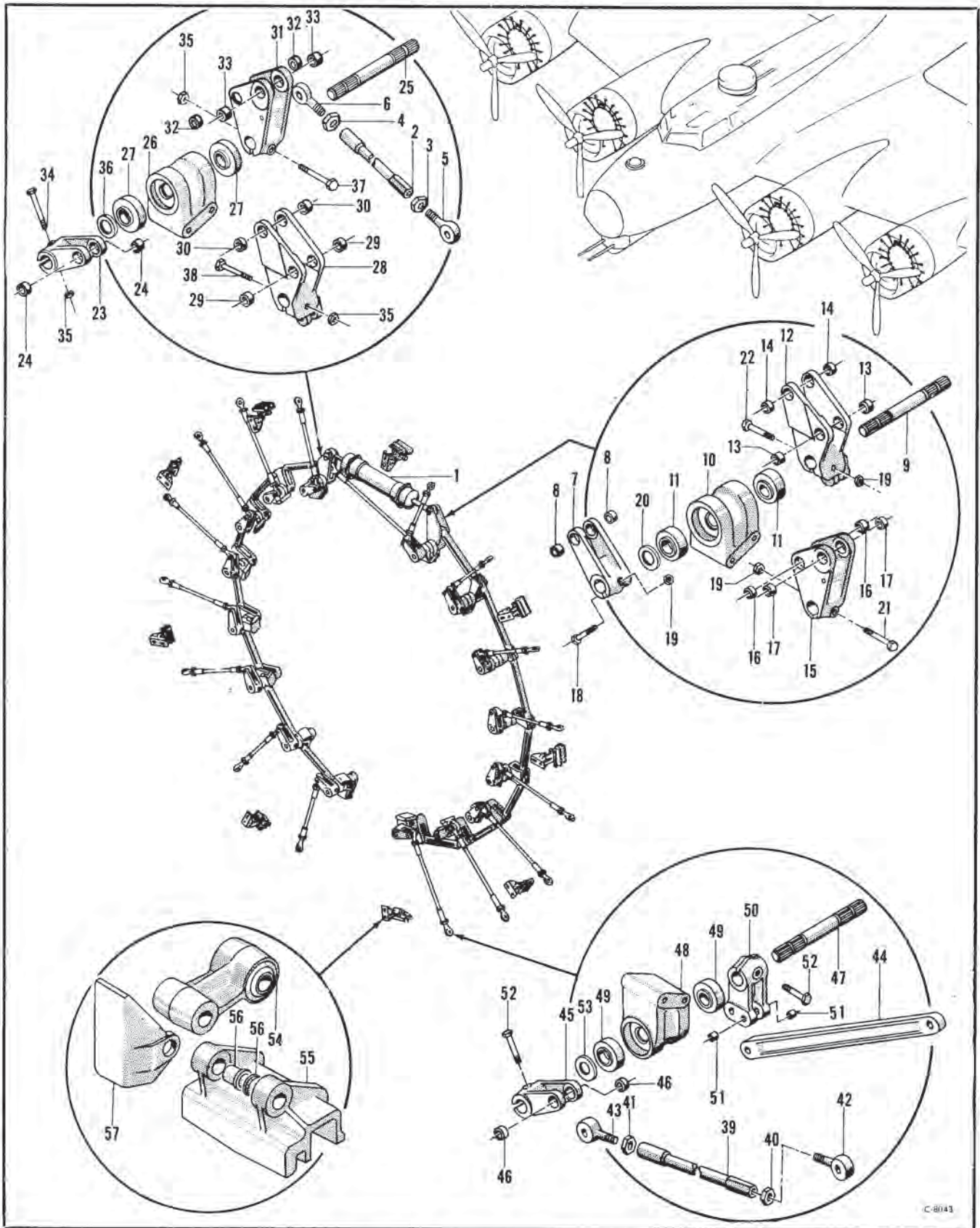


Figure 182—Cowl Flaps Operating Mechanism

AN 01-20EG-4

POWER PLANT

Cowl Flaps Operating Mechanism

Figure & Index No.	Part Number	1	2	3	4	5	6	7	Nomenclature	Usage Code	Units Per Assy.
									Cowl Flaps Operating Mechanism		
									Installation—Cowling flap (outboard) (see fig. 181)	All	NP
									Installation—Cowling flap (LH inboard) (see fig. 181)	All	NP
									Installation—Cowling flap (RH inboard) (see fig. 181)	All	NP
182-1	6-9477								Cylinder Assembly—Cowl flap (see fig. 192)	All	1
	1-20380-1								Rod Assembly—3-8 control	All	1
2	1-20380-3								Tube Assembly—Weld	All	1
3	AN316-6L								Nut—Aircraft check	All	1
4	AN316-6R								Nut—Aircraft check	All	1
5	RE3ML6-2N								End—Rod (Fafnir)	All	1
6	RE3M6-2N								End—Rod (Fafnir)	All	1
	15-7655-6								Lever Assembly—Cylinder LH	DA	1
	15-7655-7								Lever Assembly—Cylinder RH	DA	1
	3-14908								Lever Assembly—Cowling flap	DA	1
7	3-14908-2								Lever	DA	1
8	1-21924-3-0218								Bushing	DA	2
9	1-18915								Shaft—Cowling flap	DA	1
	3-13791								Housing Assembly—Cowl flap	DA	1
10	3-13791-1								Housing (die casting)	DA	1
11	AN201K8A								Bearing—Metal shielded ball	DA	2
	6-9492								Lever Assembly—Cowl flap cylinder (used on 15-7655-6)	DA	1
12	6-9492-2								Lever	DA	1
13	BAC366-18S								Bushing	DA	2
14	BAC326-18S								Bushing	DA	2
	3-13750								Lever Assembly—Cowl flap cylinder (used on 15-7655-7)	DA	1
15	3-13750-2								Lever	DA	1
16	BAC366-18S								Bushing—3-8 OD bearing	DA	2
17	BAC326-18S								Bushing—3-8 OD bearing	DA	2
18	AN3-12A								Bolt—Aircraft	DA	1
19	363-1032								Nut—Self-locking	DA	1
20	AN960-816								Washer—Plain	DA	1
21	AN3-13A								Bolt—Aircraft (used on 15-7655-6)	DA	1
	363-1032								Nut—Self-locking (used on 15-7655-6)	DA	1
22	AN3-14A								Bolt—Aircraft (used on 15-7655-7)	DA	1
	363-1032								Nut—Self-locking (used on 15-7655-7)	DA	1
	55-7655-6								Lever Assembly—Cylinder RH	IH	1
	55-7655-5								Lever Assembly—Cylinder LH	IH	1
	3-14908								Lever Assembly—Cowling flap	IH	1
23	3-14908-2								Lever	IH	1
24	1-21924-3-0218								Bushing	IH	2
25	1-18915								Shaft—Cowling flap	IH	1
	3-13791								Housing Assembly—Cowl flap	IH	1
26	3-13791-1								Housing (die casting)	IH	1
27	AN201K81								Bearing—Metal shielded ball	IH	2
	6-9492-4								Lever Assembly—Cowl flap cylinder (used on 55-7655-5)	IH	1
28	6-9492-3								Lever	IH	1
29	NAS75-4-009								Bushing—Plain steel	IH	2
30	BAC326-18S								Bushing—3-8 OD bearing	IH	2
	3-13750-4								Lever Assembly—Cowl flap cylinder (used on 55-7655-6)	IH	1
31	3-13750-3								Lever	IH	1
32	NAS75-4-009								Bushing—Plain steel	IH	2
33	BAC326-18S								Bushing—3-8 OD bearing	IH	2
34	AN3-12A								Bolt—Aircraft	IH	1
35	363-1032								Nut—Self-locking	IH	1
36	AN960-816								Washer—Plain	IH	1
37	AN3-13A								Bolt—Aircraft (used on 55-7655-5)	IH	1
	363-1032								Nut—Self-locking (used on 55-7655-5)	IH	1
38	AN3-14A								Bolt—Aircraft (used on 55-7655-6)	IH	1
	363-1032								Nut—Self-locking (used on 55-7655-6)	IH	1
	1-20380								Rod Assembly—3-8 control	All	16
39	1-20380-2								Tube Assembly—Weld	All	1
40	AN316-6L								Nut—Aircraft check	All	1
41	AN316-6R								Nut—Aircraft check	All	1
42	RE3ML6-2N								End—Rod (Fafnir)	All	1
43	RE3M6-2N								End—Rod (Fafnir)	All	1
44	1-17579								Link—Engine cowl flaps	DA	14
	1-17579-4								Link—Engine cowl flaps	IH	14
	15-7655-5								Lever Assembly—Cowl flaps (LH)	DA	7
	15-7655-8								Lever Assembly—Cowl flaps (RH)	DA	7
	55-7655-3								Lever Assembly—Cowl flaps (LH)	IH	7
	55-7655-4								Lever Assembly—Cowl flaps (RH)	IH	7
	3-14908								Lever Assembly—Cowling flap	All	1
45	3-14908-2								Lever	All	1
46	1-21924-3-0218								Bushing	All	2
47	1-18915								Shaft—Cowling flap	All	1
	3-13791								Housing Assembly—Cowl flap	All	1
48	3-13791-1								Housing (die casting)	All	1
49	AN201K8A								Bearing—Metal shielded ball	All	1
	3-13742								Lever Assembly—Engine cowl flap (used on 15-7655-5 and 15-7655-8)	DA	1
	3-13742-4								Lever Assembly—Engine cowl flap (used on 55-7655-3 and 55-7655-4)	IH	1
	3-13742-2								Lever (used on 3-13742)	DA	1
50	3-13742-3								Lever (used on 3-13742-4)	IH	1
	3-13742-3								Bushing—Bearing (used on 3-13742)	DA	4
51	BAC366-21ST								Bushing—Plain steel (used on 3-13742-4)	IH	4
	NAS75-4-011								Bolt—Aircraft	All	2
52	AN3-12A								Nut—Self-locking	All	2
	363-1032								Washer	All	1
53	41-7085-72-33								Link Assembly—Anti-drag ring (see fig. 176)	All	9
54	6-16941								Bracket Assembly—Rear ring cowl flap	All	9
	9-3687								Bracket	All	1
55	9-3687-2								Bushing	All	2
56	1-21949-1								Bracket Assembly—Anti-drag ring	All	1
	3-15102								Bracket	All	1
57	3-14912-2								Bushing	All	2
	1-20386										

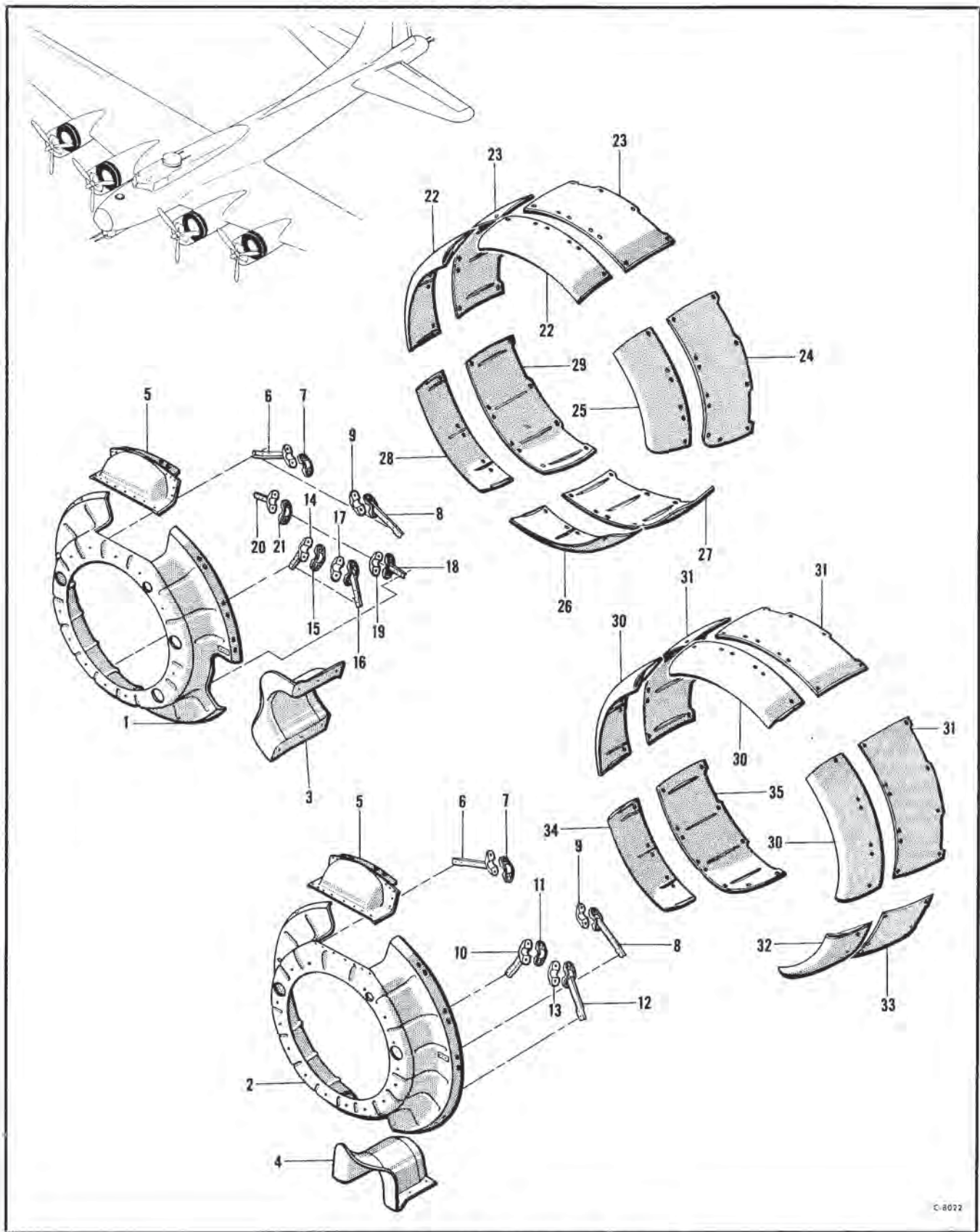


Figure 183—Fixed Cowling and Shrouds

AN 01-20EG-4

POWER PLANT

Fixed Cowling and Shrouds

Figure & Index No.	Part Number	1 2 3 4 5 6 7	Nomenclature	Usage Code	Units Per Assy.
			Fixed Cowling and Shrouds.....		
	65-7350		Installation—Power plant.....	All	NP
	15-7668-45		Installation—Fixed inboard cowl (LH).....	All	NP
	15-7668-46		Installation—Fixed inboard cowl (RH).....	All	NP
	15-7666-31		Installation—Fixed outboard cowl (LH).....	All	NP
	15-7666-32		Installation—Fixed outboard cowl (RH).....	All	NP
	15-7668-41		Cowl Assembly—Fixed inboard (LH).....	All	1
	15-7668-42		Cowl Assembly—Fixed inboard (RH).....	All	1
	15-7666-27		Cowl Assembly—Fixed outboard (LH).....	All	1
	15-7666-28		Cowl Assembly—Fixed outboard (RH).....	All	1
183-1	15-7668-43		Cowl Assembly—Spotweld (LH inboard).....	All	1
	15-7668-44		Cowl Assembly—Spotweld (RH inboard).....	All	1
2	15-7666-29		Cowl Assembly—Spotweld (LH outboard).....	All	1
	15-7666-30		Cowl Assembly—Spotweld (RH outboard).....	All	1
	15-6625		Installation—Forward inboard shroud (LH).....	All	NP
	15-6625-1		Installation—Forward inboard shroud (RH).....	All	NP
3	15-6625-2		Shroud Assembly—Spotweld (LH inboard).....	All	1
	15-6625-3		Shroud Assembly—Spotweld (RH inboard).....	All	1
	15-6624		Installation—Forward outboard shroud.....	All	NP
4	15-6624-1		Shroud Assembly—Spotweld.....	All	1
	15-7609		Installation—Carburetor intake cover.....	All	NP
	15-7609-4		Cover Assembly—Carburetor intake.....	All	1
5	15-7609-1		Cover Assembly—Spotweld.....	All	1
	1-19076		Support Assembly—Cowl (LH).....	All	1
6	1-19076-4		Support Assembly—Weld.....	All	1
7	1-28758-1		Clamp—Half.....	All	1
	1-19076-1		Support Assembly—Cowl (RH).....	All	1
8	1-19076-5		Support Assembly—Weld.....	All	1
9	1-28758-1		Clamp—Half.....	All	1
10	3-13803-2		Support Assembly—Cowl (outboard).....	All	1
11	3-13803-10		Support Assembly—Weld.....	All	1
	1-28758-1		Clamp—Half.....	All	1
12	3-13803-3		Support Assembly—Cowl (outboard).....	All	1
13	3-13803-11		Support Assembly—Weld.....	All	1
	1-28758-1		Clamp—Half.....	All	1
14	3-13803		Support Assembly—Cowl (LH inboard).....	All	1
15	3-13803-8		Support Assembly—Weld.....	All	1
	1-28758-1		Clamp—Half.....	All	1
16	3-13803-1		Support Assembly—Cowl (RH inboard).....	All	1
17	3-13803-9		Support Assembly—Weld.....	All	1
	1-28758-1		Clamp—Half.....	All	1
18	3-13802-1		Support Assembly—Cowl (LH inboard).....	All	1
19	3-13802-5		Support Assembly—Weld.....	All	1
	1-28758-1		Clamp—Half.....	All	1
20	3-13802		Support Assembly—Cowl (RH inboard).....	All	1
21	3-13802-4		Support Assembly—Weld.....	All	1
	1-28758-1		Clamp—Half.....	All	1
	15-7664		Installation—Inboard engine cowling (LH).....	All	NP
	15-7664-1		Installation—Inboard engine cowling (RH).....	All	NP
	55-7672		Segment Assembly—Cowling.....	All	3
22	55-7672-400		Segment Assembly—Front.....	All	1
23	55-7672-1		Segment Assembly—Rear.....	All	1
	15-7674		Segment Assembly—Cowling (LH inboard).....	All	1
	15-7674-1		Segment Assembly—Cowling (RH inboard).....	All	1
24	15-7674-2		Segment Assembly—Rear (LH inboard).....	All	1
	15-7674-3		Segment Assembly—Rear (RH inboard).....	All	1
25	15-7674-4		Segment Assembly—Forward (LH inboard).....	All	1
	15-7674-5		Segment Assembly—Forward (RH inboard).....	All	1
	15-7675-22		Segment Assembly (LH inboard cowling).....	All	1
	15-7675-23		Segment Assembly (RH inboard cowling).....	All	1
26	15-7675-4		Segment Assembly—Forward (LH inboard).....	All	1
	15-7675-5		Segment Assembly—Forward (RH inboard).....	All	1
27	15-7675-24		Segment Assembly—Rear (with access door) (LH inboard).....	All	1
	15-7675-25		Segment Assembly—Rear (with access door) (RH inboard).....	All	1
	65-7672		Segment Assembly—Inboard cowling (LH).....	All	1
28	65-7672-503		Segment Assembly (front LH).....	All	1
29	65-7672-500		Segment Assembly (rear LH).....	All	1
	15-7667		Installation—Outboard cowling.....	All	NP
	15-7672		Segment Assembly—Cowling.....	All	3
30	15-7672-5		Segment Assembly—Front.....	All	1
31	15-7672-1		Segment Assembly—Rear.....	All	1
	15-7673-22		Segment Assembly (outboard cowling LH).....	All	1
32	15-7673-4		Segment Assembly—Forward (LH).....	All	1
33	15-7673-23		Segment Assembly—Rear (LH).....	All	1
	15-7673-1		Segment Assembly—Outboard cowling (RH).....	All	1
34	15-7673-5		Segment Assembly—Forward (RH).....	All	1
35	15-7673-3		Segment Assembly—Rear (RH).....	All	1

POWER PLANT

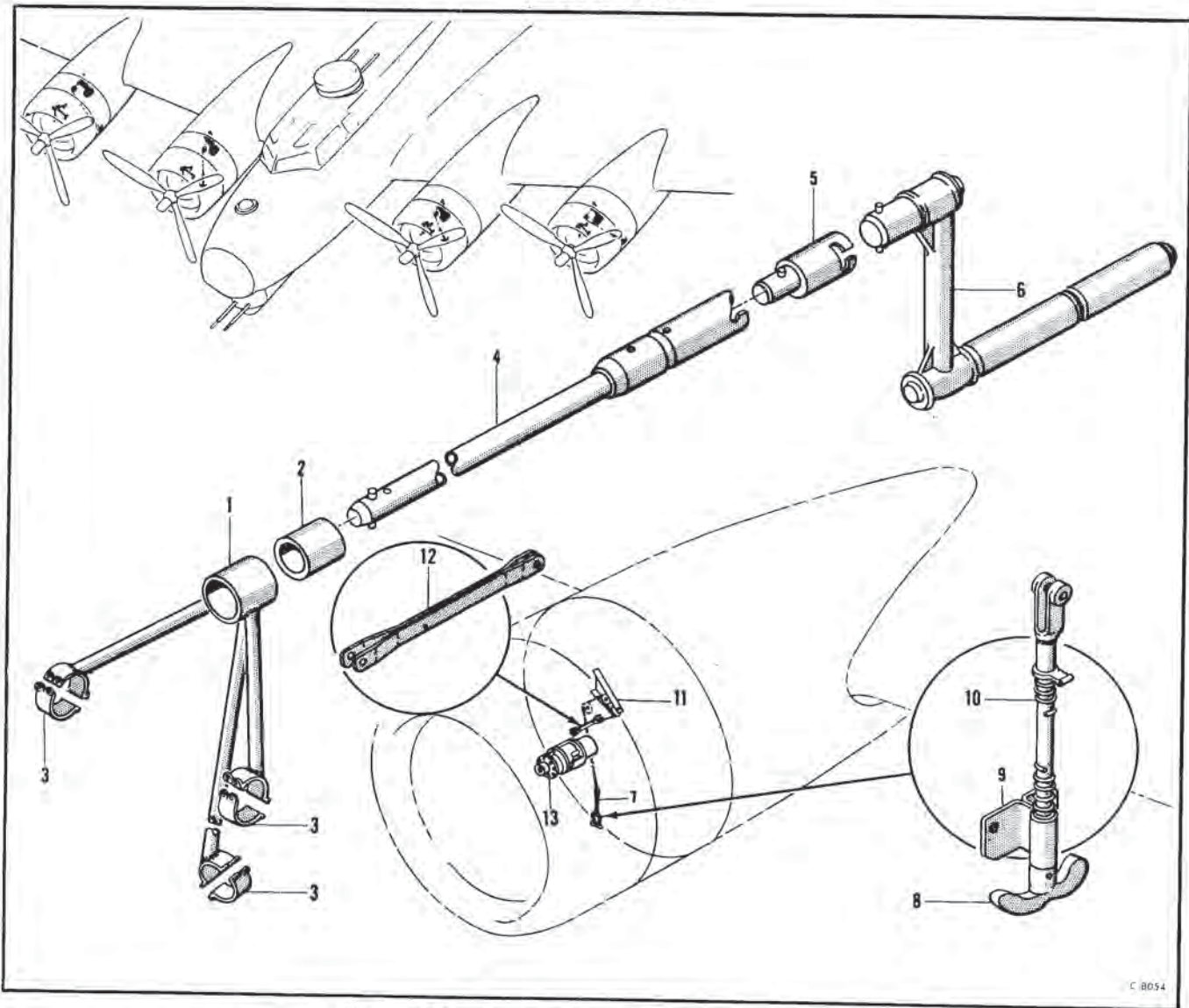


Figure 184—Engine Starter Control and Support

Engine Starter Control and Support

Figure & Index No.	Part Number	1	2	3	4	5	6	7	Nomenclature	Usage Code	Units Per Assy.
	14-1820								Engine Starter Control and Support		
	14-1820-7								Installation—Starter crank support (see fig. 177)	HG	NP
184-1	14-1820-8								Support Assembly—Starter crank	HG	1
	14-1820-15								Support Assembly—Starter crank	FG	1
2	A1512-2								Support Assembly—Starter crank	TG	1
3	BAC569-20HF								Bushing (Kingwell Bros.)	HG	1
	1-28758-1								Clamp Assembly—1 wide round tube double	FG	3
4	3-12408								Clamp—Half	TG	1
5	3-23558								Extension Assembly—Starter crank (see fig. 69)	HG	Ref
6	AN4098-1								Extension Assembly—Starter crank (see fig. 69)	HG	Ref
	15-9752								Crank—Inertia starter hand (GFE) (see fig. 69)	HG	Ref
	15-9753								Installation—Starter control (LH outboard)	HG	NP
	15-9754								Installation—Starter control (LH inboard)	HG	NP
	15-9755								Installation—Starter control (RH inboard)	HG	NP
	15-9755								Installation—Starter control (RH outboard)	HG	NP
7	3-12788-6								Handle Assembly—Starter control	HG	NP
8	1-4795								Handle—Control	HG	1
9	51-213-11								Guide Assembly—Starter control	HG	1
10	1-17235								Spring—Compression	HG	1
11	9-5060-1								Bracket Assembly—Starter control	HG	1
12	3-16950								Link Assembly—Starter control (see fig. 177)	HG	1
13	915-4C								Starter (Type G-6) (Eclipse) GFE (see fig. 177)	HG	1
	14-3569								Installation—Starter crank support (see fig. 185)	HE	NP

POWER PLANT

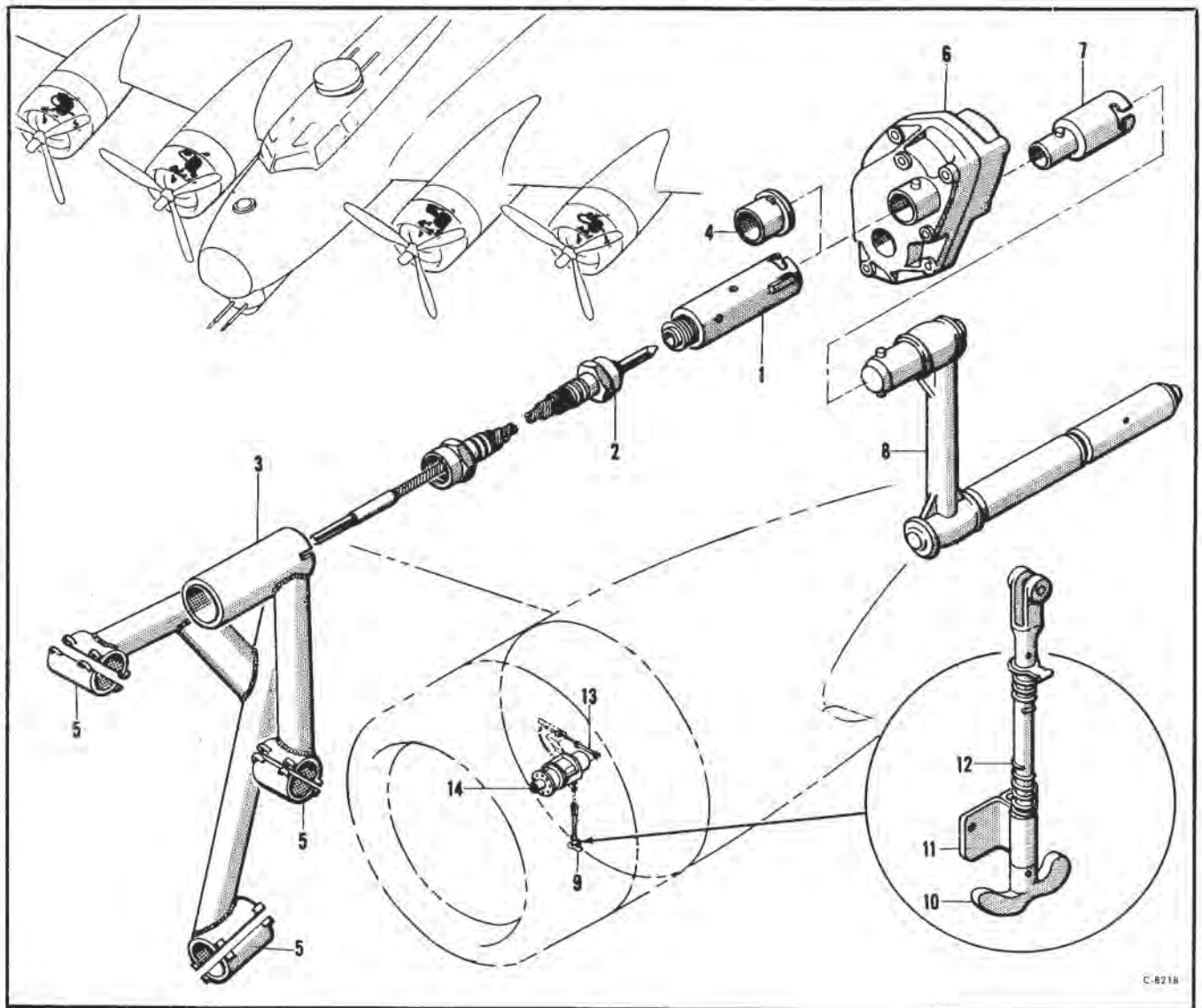


Figure 185—Engine Starter Control and Support

Engine Starter Control and Support

Figure & Index No.	Part Number	1 2 3 4 5 6 7	Nomenclature	Usage Code	Units Per Assy.
			Engine Starter Control and Support		
			Installation—Starter crank support (see fig. 177)	HE	NP
			Support Assembly—Starter crank	HE	1
			Shaft and Casing Assembly	HE	1
185-1	3-20398		Socket Assembly	HE	1
2	JH1197		Socket and Casing (Jack and Heintz) GFE	HE	1
3	9-6015		Support Assembly—Starter crank	HE	1
4	JH1271		Cover Assembly (Jack and Heintz) GFE	HE	1
5	3-20414-1		Clamp Assembly—Starter support	HE	3
6	AN4097-1		Box—Hand crank gear GFE (see fig. 69)	HE	1
7	3-23558		Extension Assembly—Starter crank (see fig. 69)	HE	Ref
8	AN4098-1		Crank—Inertia starter hand GFE (see fig. 69)	HE	Ref
	15-9752-1		Installation—Starter control nacelle no. 1	HE	NP
	15-9753-1		Installation—Starter control nacelle no. 2	HE	NP
	15-9754-1		Installation—Starter control nacelle no. 3	HE	NP
	15-9755-1		Installation—Starter control nacelle no. 4	HE	NP
	3-12788-6		Handle Assembly—Starter control	HE	1
9	1-4795		Handle—Control	HE	1
10	51-213-11		Guide Assembly—Starter control	HE	1
11	1-17235		Spring—Compression	HE	1
12	3-16950		Link Assembly—Starter control (see fig. 177)	HE	Ref
13	JH3R		Starter GFE (see fig. 177)	HE	Ref
14	14-1820		Installation—Starter crank support (see fig. 184)	HG	NP

Section I I
Group Assembly Parts List

AN 01-20EG-4

POWER PLANT

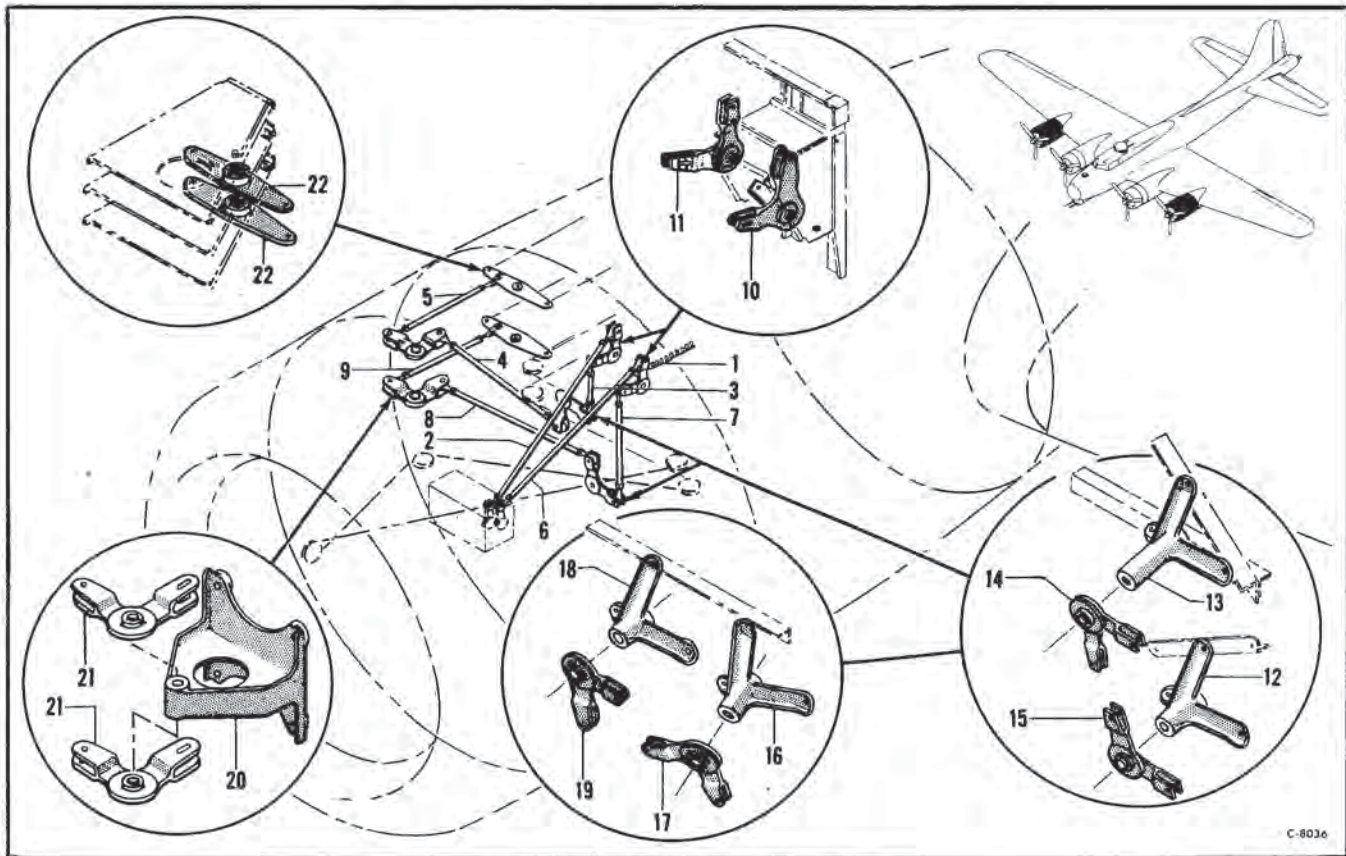


Figure 186—Outboard Engine Controls

Outboard Engine Controls

Figure & Index No.	Part Number	1	2	3	4	5	6	7	Nomenclature	Usage Code	Units Per Assy.
	15-7035								Outboard Engine Controls	All	NP
	6-9494								Installation—Throttle controls	All	NP
	6-9490								Installation—Throttle control spring (LH outboard)	All	NP
186-1	1-18977								Installation—Throttle control spring (RH outboard)	All	NP
	1-19070								Spring—Throttle control (LH outboard)	All	1
2	BAC1861-24-130								Spring—Throttle control (RH outboard)	All	2
3	BAC1861-2-47								Rod Assembly	All	1
	BAC1861-23-97								Rod Assembly (LH)	All	1
4	BAC1861-24-289								Rod Assembly (RH)	All	1
	BAC1861-24-124								Rod Assembly (LH)	All	1
5	BAC1861-24-100								Rod Assembly (RH)	All	1
	15-7036								Rod Assembly	All	2
6	BAC1861-23-75								Installation—Mixture control	All	NP
	BAC1861-2-73								Rod Assembly (LH)	All	1
7	BAC1861-24-150								Rod Assembly (RH)	All	1
	BAC1861-24-148								Rod Assembly (LH)	All	1
8	BAC1861-24-291								Rod Assembly (RH)	All	1
	BAC1861-23-75								Rod Assembly (LH)	All	1
9	BAC1861-24-100								Rod Assembly (RH)	All	1
	9-3093								Rod Assembly	All	2
10	3-13530								Installation—Throttle and mixture bracket (see fig. 15)	All	NP
11	3-8202-100								Crank Assembly—Control	All	1
	59-3088								Crank Assembly	All	1
12	3-12003-2								Installation—Throttle and mixture bracket (LH outboard) (see fig. 15)	All	NP
13	3-12004								Bracket—Engine control	All	1
14	3-12090-1								Bracket—Engine control	All	1
15	3-8202-99								Crank Assembly—Control	All	1
	9-3087								Crank Assembly—Control	All	1
16	9-3087-29								Installation—Throttle and mixture bracket (RH outboard) (see fig. 15)	All	NP
17	3-12003-4								Bracket Assembly—Throttle and mixture	All	1
	3-12090								Bracket—Engine control	All	1
18	9-3087-30								Crank Assembly—Control	All	1
	3-12003-1								Bracket Assembly—Throttle and mixture	All	1
19	3-12090								Bracket—Engine control	All	1
	55-6336								Crank Assembly—Control	All	1
20	15-7888-33								Installation—Engine control bracket (LH outboard) (see fig. 15)	All	NP
	3-12071								Bracket Assembly—Engine control (RH outboard) (see fig. 15)	All	Ref
	3-12071-1								Bracket—Engine control (LH outboard)	All	1
21	3-12090-2								Bracket—Engine control (RH outboard)	All	1
	55-6191								Crank Assembly—Control	All	2
	55-6191-1								Installation—Engine control bracket (LH outboard) (see fig. 15)	All	NP
22	3-1210-2								Installation—Engine control bracket (RH outboard) (see fig. 15)	All	NP
	3-1210-4								Arm Assembly—Engine control (LH outboard)	All	2
									Arm Assembly—Engine control (RH outboard)	All	2

POWER PLANT

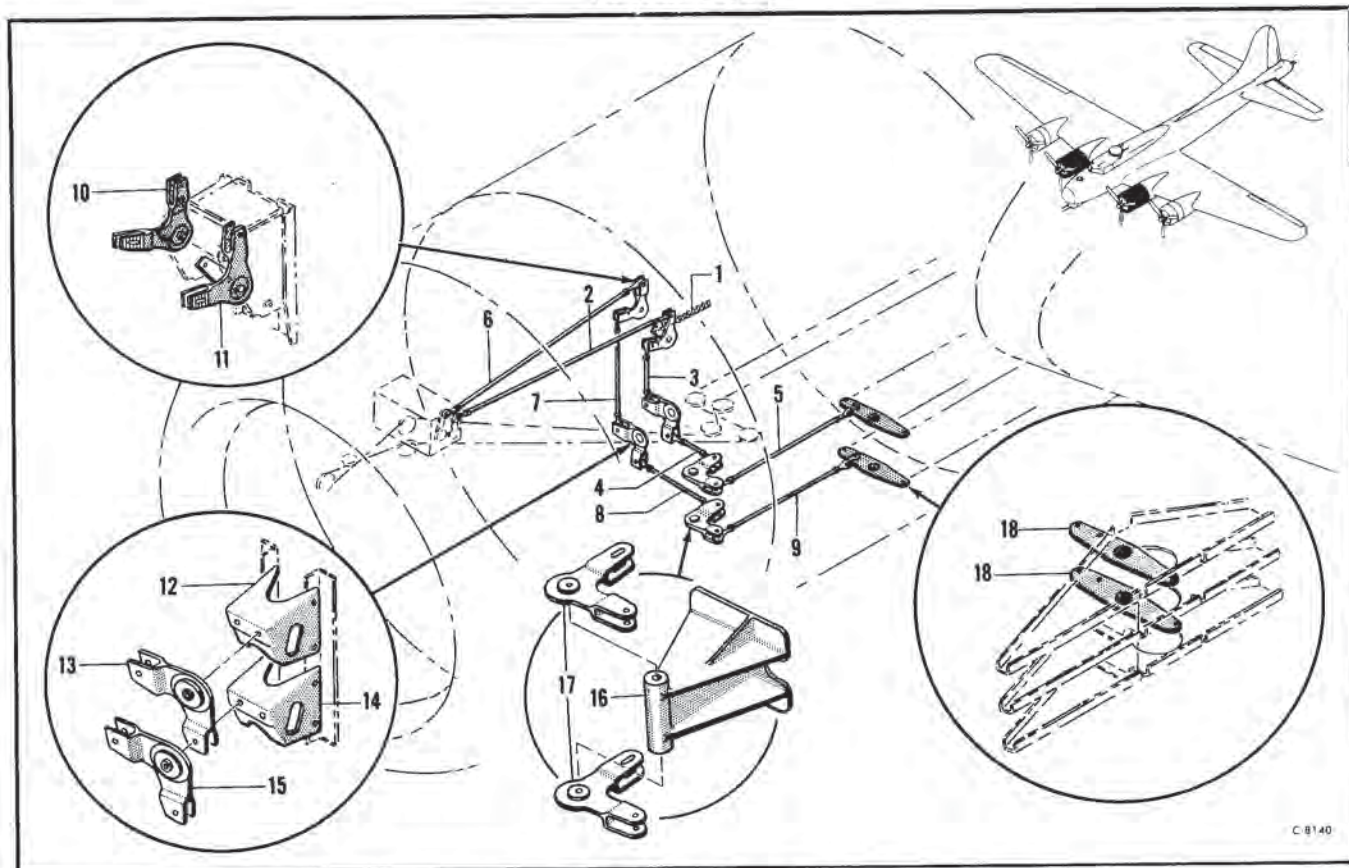


Figure 187—Inboard Engine Controls

Inboard Engine Controls

Figure & Index No.	Part Number	1	2	3	4	5	6	7	Nomenclature	Usage Code	Units Per Assy.
									Inboard Engine Controls		
	15-7035								Installation—Throttle control	All	NP
	6-9502								Installation—Throttle control spring (LH inboard)	All	NP
	6-9480								Installation—Throttle control spring (RH inboard)	All	NP
187-1	1-18977								Spring—Throttle control	All	1
2	BAC1861-24-136								Rod Assembly	All	2
3	BAC1861-2-55								Rod Assembly	All	1
4	BAC1861-2-72								Rod Assembly (LH)	All	1
	BAC1861-24-326								Rod Assembly (RH)	All	2
5	BAC1861-24-179								Rod Assembly	All	NP
	15-7036								Installation—Mixture control	All	2
6	BAC1861-23-78								Rod Assembly	All	2
7	BAC1861-24-126								Rod Assembly	All	1
8	BAC1861-23-83								Rod Assembly (LH)	All	1
	BAC1861-24-315								Rod Assembly (RH)	All	2
9	BAC1861-24-179								Rod Assembly	All	NP
	6-8314-18								Installation—Throttle and mixture bracket (LH inboard) (see fig. 13)	All	NP
	6-8315								Installation—Throttle and mixture bracket (RH inboard) (see fig. 13)	All	NP
10	3-8202-100								Crank Assembly—Control	All	1
11	3-13504-13								Crank Assembly—Control (LH inboard)	All	1
	3-12090-14								Crank Assembly—Control (RH inboard)	All	1
	6-8311								Installation—Throttle and mixture controls bracket (LH inboard) (see fig. 13)	All	NP
	6-8311-1								Installation—Throttle and mixture controls bracket (RH inboard) (see fig. 13)	All	NP
	6-8311-14								Bracket Assembly—Throttle and mixture controls (LH inboard)	All	1
	6-8311-13								Bracket Assembly—Throttle and mixture controls (RH inboard)	All	1
12	3-12057-1								Bracket—Control	All	1
13	3-12090-1								Crank Assembly—Control (LH inboard)	All	1
	3-12090-13								Crank Assembly—Control (RH inboard)	All	1
	6-8311-12								Bracket Assembly—Control	All	1
14	3-12057								Bracket—Control	All	1
15	3-12090-1								Crank Assembly—Control	All	1
	55-6330								Installation—Firewall bracket (LH inboard) (see fig. 13)	All	NP
	55-6331								Installation—Firewall bracket (RH inboard) (see fig. 13)	All	NP
16	6-8265								Bracket—Engine controls (LH inboard)	All	1
	6-8265-1								Bracket—Engine controls (RH inboard)	All	1
17	3-12090-2								Crank Assembly—Control	All	2
	65-6044								Installation—Engine control bracket (LH inboard) (see fig. 13)	All	NP
	65-6044-1								Installation—Engine control bracket (RH inboard) (see fig. 13)	All	NP
18	3-12210								Arm Assembly—Control	All	2

POWER PLANT

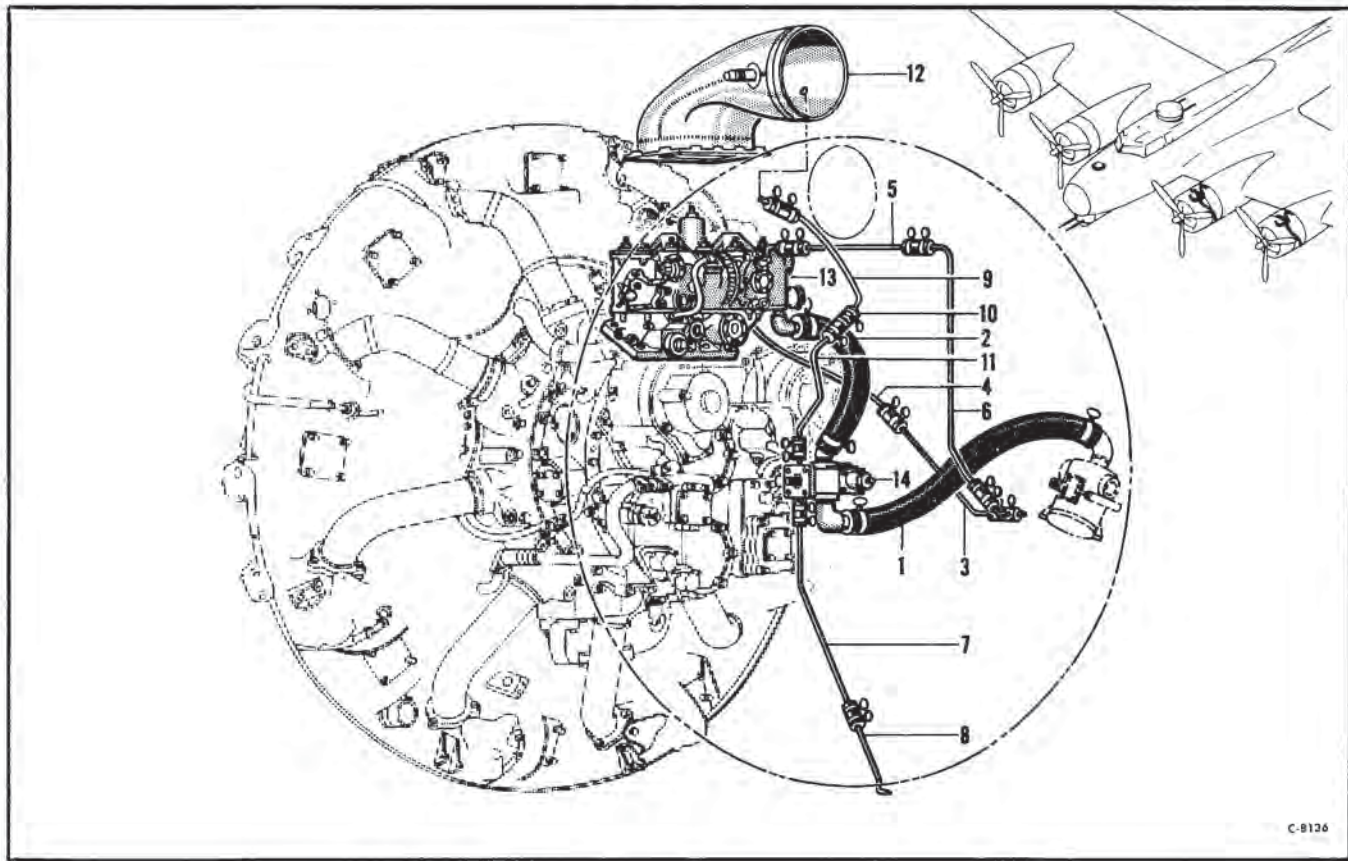


Figure 188—LH Outboard and Inboard Engine Fuel System

LH Outboard and Inboard Engine Fuel System

Figure & Index No.	Part Number	1 2 3 4 5 6 7	Nomenclature	Usage Code	Units Per Assy.
			LH Outboard and Inboard Engine Fuel System.....		
	15-9471		Installation—Fuel tubing.....	All	NP
188-1	15-7348-10		Hose (strainer to pump).....	All	1
	15-7348-11		Hose (strainer to pump).....	All	1
2	15-7348-14		Hose (pump to carburetor).....	All	2
3	15-7348-28		Tube Assembly (outboard) (primer).....	All	1
	15-7348-38		Tube Assembly (inboard) (primer).....	All	1
4	15-7348-39		Tube Assembly (primer).....	FC	2
	15-9471-102		Tube Assembly (primer).....	QO	2
	811CT4		Elbow.....	FC	2
	AN842-4		Elbow—90 degree hose.....	QO	2
5	15-7348-67		Tube Assembly (outboard) (vapor).....	All	1
	15-7348-72		Tube Assembly (inboard) (vapor).....	GC	1
	15-9471-93		Tube Assembly (inboard) (vapor).....	RO	1
	AN842-4		Elbow—90 degree.....	XA	2
	AN840-4		Adapter—Hose to pipe thread.....	PK	2
6	15-7348-66		Tube Assembly (outboard only) (vapor).....	LC	1
	15-9471-108		Tube Assembly (outboard only) (vapor).....	MP	1
7	15-7348-89		Tube Assembly (fuel pump drain).....	All	3
8	15-7348-90		Tube Assembly (fuel pump drain).....	All	2
9	15-7348-84		Tube Assembly (fuel pump valve relief).....	All	2
10	AN878-4-24		Hose—Synthetic (fuel pump valve relief).....	All	2
11	15-7348-85		Tube Assembly (fuel pump valve relief).....	All	2
12	9-3080-22		Elbow Assembly—Carburetor pressure duct (see fig. 33 and 34).....	All	Ref
13	PD12H2		Carburetor (Stromberg) (furnished with engine).....	All	Ref
14	AN4101-1		Pump—Power driven fuel (Type G-9) GFE (see fig. 177).....	All	Ref

POWER PLANT

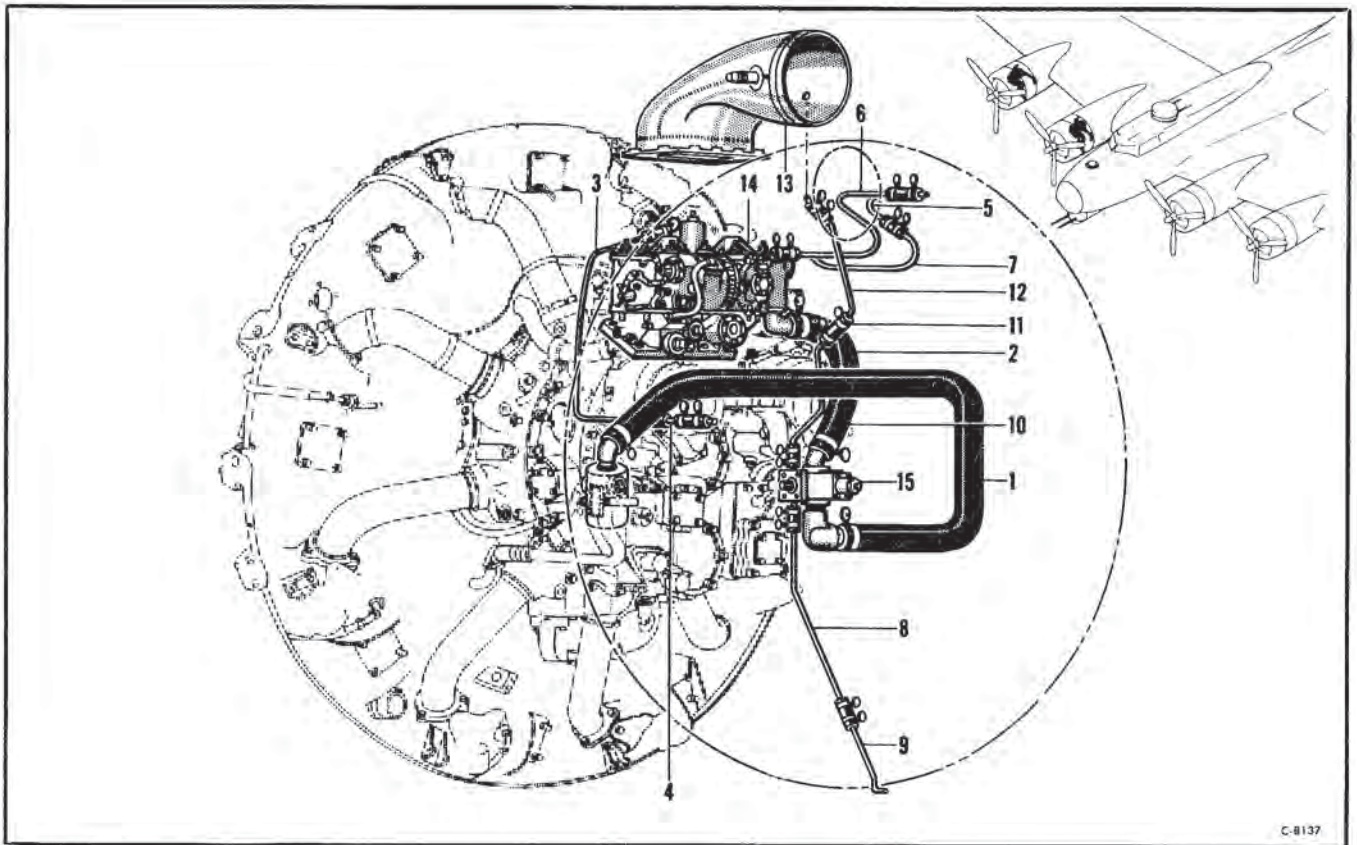


Figure 189—RH Inboard and Outboard Engine Fuel System

RH Inboard and Outboard Engine Fuel System

Figure & Index No.	Part Number	1 2 3 4 5 6 7	Nomenclature	Usage Code	Units Per Assy.
			RH Inboard and Outboard Engine Fuel System.....	All	NP
			Installation—Fuel tubing.....		
189-1	15-9471		Hose (strainer to pump).....	All	1
	15-7348-12		Hose (strainer to pump).....	All	1
	15-7348-13		Hose (pump to carburetor).....	All	2
2	15-7348-14		Tube Assembly (primer).....	FC	2
3	55-7348-407		Tube Assembly (primer).....	QO	2
	15-9471-103		Tube Assembly (inboard).....	All	1
4	15-7348-47		Tube Assembly (outboard).....	All	1
	15-7348-60		Elbow.....	FC	2
	811CT4		Elbow—90 degree hose.....	QO	2
	AN842-4		Tube Assembly (inboard) (vapor).....	XA	1
5	15-7348-77		Tube Assembly (inboard) (vapor).....	OK	1
	15-9471-91		Tube Assembly (outboard) (vapor).....	XA	1
	15-7348-83		Tube Assembly (outboard) (vapor).....	PK	1
	15-9471-92		Elbow—90 degree.....	XA	2
	AN842-4		Adapter—Hose to pipe thread.....	PK	2
6	AN840-4		Tube Assembly (inboard) (vapor) (replaces index no. 5 and 7 inboard).....	RO	1
7	15-9471-97		Tube Assembly (inboard) (vapor).....	GC	1
	15-7348-118		Tube Assembly (outboard) (vapor).....	LC	1
	15-7348-82		Tube Assembly (outboard) (vapor).....	MP	1
8	15-9471-107		Tube Assembly (inboard) (fuel pump drain).....	All	1
	15-7348-91		Tube Assembly (outboard) (fuel pump drain).....	All	1
	15-7348-116		Tube Assembly (inboard) (fuel pump drain).....	All	1
9	15-7348-92		Tube Assembly (outboard) (fuel pump drain).....	All	1
	15-7348-93		Tube Assembly (fuel pump valve relief).....	All	1
10	15-7348-84		Hose—Synthetic (fuel pump valve relief).....	All	1
11	AN878-4-24		Tube Assembly (fuel pump valve relief).....	All	1
12	15-7348-85		Elbow Assembly—Carburetor pressure duct (see fig. 33 and 34).....	All	Ref
13	9-3080-22		Carburetor (Stromberg) (furnished with engine).....	All	Ref
14	P12H2		Pump—Power driven fuel (Type G-9) GFE (see fig. 177).....	All	Ref
15	AN4101-1				

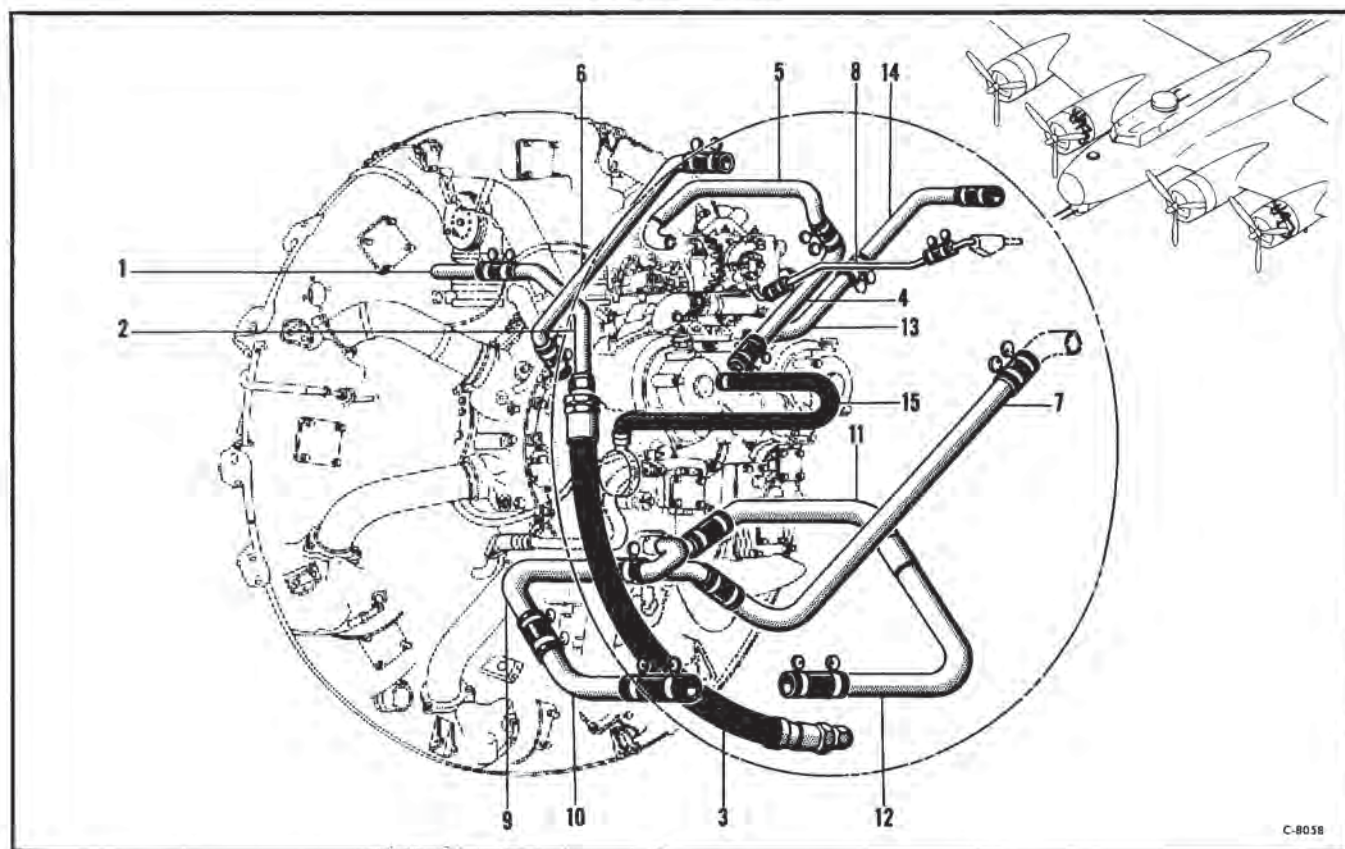


Figure 190—LH Outboard and RH Inboard Engine Oil System

LH Outboard and RH Inboard Engine Oil System

Figure & Index No.	Part Number	1 2 3 4 5 6 7	Nomenclature	Usage Code	Units Per Assy.
			LH Outboard and RH Inboard Engine Oil System		
			Installation—Oil system	All	NP
190-1	15-9470		Tube Assembly (Propeller feathering)	All	2
	65-6242-696		Union	All	2
	811HT12NS		Tube Assembly (Propeller feathering) (LH outboard)	All	1
2	65-6242-636		Tube Assembly (Propeller feathering) (RH inboard)	All	1
	65-6242-634		Hose—Flexible (Propeller feathering)	All	2
3	39G1030-12W30		Tube Assembly (vent line) (LH outboard)	All	1
	55-6242-41		Tube Assembly (vent line) (RH inboard)	GC	1
4	15-9470-8		Tube Assembly (vent line) (LH outboard)	All	1
	55-6242-42		Tube Assembly (vent line) (RH inboard)	GC	1
5	55-6242-537		Elbow—90 degree	All	2
	811CT8		Tube Assembly (vent line) (LH outboard)	All	1
6	15-9470-5		Tube Assembly (vent line) (RH inboard)	All	1
	15-9470-1		Tube Assembly (to oil cooler) (LH outboard)	All	1
7	15-9470-26		Tube Assembly (to oil cooler) (RH inboard)	All	1
	15-9470-34		Elbow—90 degree hose (to engine)	All	2
	AN842-21		Elbow—45 degree hose (to firewall)	All	2
8	AN844-21		Tube Assembly (oil dilution to engine) (LH outboard)	All	1
	65-6242-646		Tube Assembly (oil dilution to engine) (RH inboard)	All	1
	65-6242-648		Fitting Assembly (LH outboard)	All	1
	1-24222-30		Tube Assembly—“Y” (oil tank to engine)	IB	2
9	3-16922		Tube Assembly (oil tank to engine)	TL	2
	15-9470-192		Elbow—90 degree	All	2
	AN914-8		Elbow—90 degree hose (to engine)	All	2
	AN842-21		Tube Assembly (oil tank to engine)	All	2
10	55-6242-499		Adapter—Hose to pipe thread	All	1
	AN840-21		Tube Assembly (oil tank to pump) (RH inboard)	IB	1
11	15-9470-60		Tube Assembly (oil tank to pump) (RH inboard)	IB	1
12	15-9470-61		Tube Assembly (oil tank to pump) (replaces index No. 11 and 12 on LH outboard)	IB	1
	15-9470-27		Tube Assembly (RH inboard only)	RO	1
13	15-9470-229		Tee—Plain type (RH inboard only)	All	1
	AN917-3		Nipple—Hex (RH inboard only)	All	1
	AN911-3		Tube Assembly (RH inboard only)	RO	1
14	15-9470-230		Elbow—90 degree	All	1
	811CT8		Installation—Transmitter (LH outboard)	All	NP
15	15-11692		Hose—Synthetic	All	1
	AN878-4-146		Installation—Transmitter (RH inboard)	All	NP
	15-11694		Hose—Synthetic	All	1
	AN878-4-136				

POWER PLANT

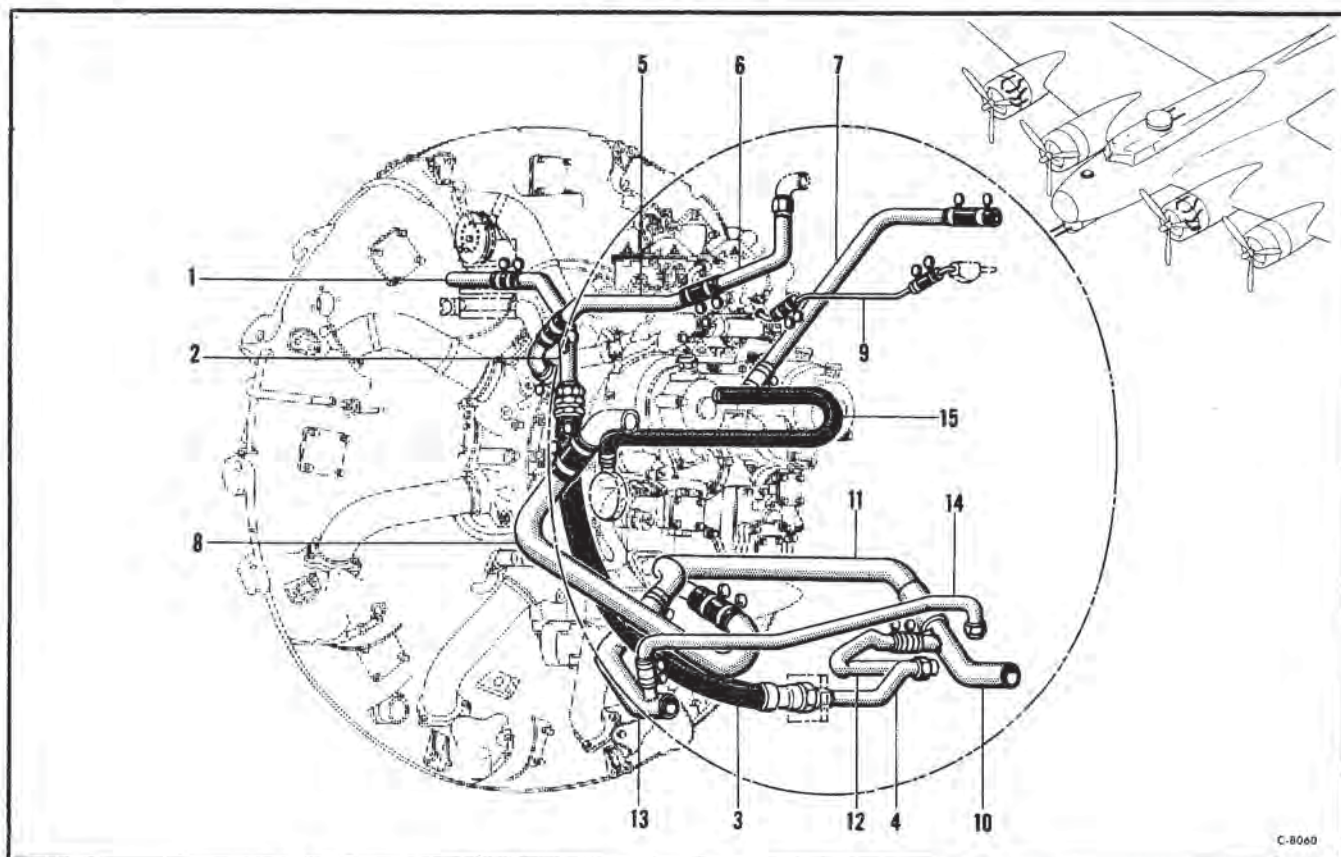


Figure 191—LH Inboard and RH Outboard Engine Oil System

LH Inboard and RH Outboard Engine Oil System

Figure & Index No.	Part Number	1 2 3 4 5 6 7	Nomenclature	Usage Code	Units Per Assy.
			LH Inboard and RH Outboard Engine Oil System		
			Installation—Oil system	All	NP
191-1	15-9470		Tube Assembly—Propeller feathering	All	2
2	65-6242-696		Tube Assembly (LH inboard)	All	1
	65-6242-634		Tube Assembly (RH outboard)	All	1
	65-6242-636		Hose—Flexible (LH inboard)	All	1
3	39G1030-12W27		Hose—Flexible (RH outboard)	All	1
	39G1030-12W24		Tube Assembly (propeller feathering) (LH inboard)	All	1
4	65-6242-655		Tube Assembly (propeller feathering) (RH outboard)	All	1
	65-6242-660		Tube Assembly (vent line) (LH inboard)	All	1
5	15-9470-11		Tube Assembly (vent line)	RO	1
	15-9470-224		Tube Assembly (vent line) (RH outboard)	All	1
	15-9470-14		Tube Assembly (vent line) (LH inboard)	GC	1
6	55-6242-515		Tube Assembly (vent line)	RO	1
	15-9470-225		Tube Assembly (vent line) (RH outboard)	All	1
	55-6242-512		Tube Assembly (vent line) (LH inboard)	All	1
7	15-9470-2		Tube Assembly (vent line) (RH outboard)	All	1
	15-9470-13		Tube Assembly (engine to oil cooler) (LH inboard)	All	1
8	15-9470-17		Tube Assembly (engine to oil cooler) (RH outboard)	All	1
	65-6242-659		Tube Assembly (oil dilution to engine) (LH inboard)	All	1
9	65-6242-647		Tube Assembly (oil dilution to engine) (RH outboard)	All	1
	65-6242-649		Tube Assembly—Propeller feathering "Y" (LH inboard)	T	1
10	3-16923		Tube Assembly—Propeller feathering "Y" (RH outboard)	T	1
	3-19973		Tube Assembly—Propeller feathering "Y" (RH outboard)	IG	1
	6-16360		Tube Assembly (oil tank to engine) (RH outboard)	TL	1
11	15-9470-236		Tube Assembly (oil tank to engine) (LH inboard)	T	1
	65-6242-654		Tube Assembly (oil tank to engine) (RH outboard)	T	1
	15-9470-41		Tube Assembly (oil tank to engine) (LH inboard)	IG	1
12	15-9470-145		Tube Assembly (propeller feathering) (LH inboard)	T	1
	65-6242-653		Tube Assembly (propeller feathering) (RH outboard)	T	1
	65-6242-701		Tube Assembly (propeller feathering) (RH outboard)	IG	1
13	15-9470-146		Tube Assembly—Propeller feathering "Y" (LH inboard)	IG	1
	6-16359		Tube Assembly (oil tank to engine) (LH inboard)	TL	1
	15-9470-206		Tube Assembly (propeller feathering) (LH inboard)	IG	1
14	15-9470-144		Hose—Synthetic	All	1
	AN878-8-10		Installation—Transmitter (LH inboard)	All	NP
	15-11693		Hose—Synthetic	All	1
15	AN878-4-118		Installation—Transmitter (RH outboard)	All	NP
	15-11695		Hose—Synthetic	All	1
	AN878-4-122		Hose—Synthetic	All	1

Section I I
Group Assembly Parts List

RESTRICTED
AN 01-20EG-4

POWER PLANT

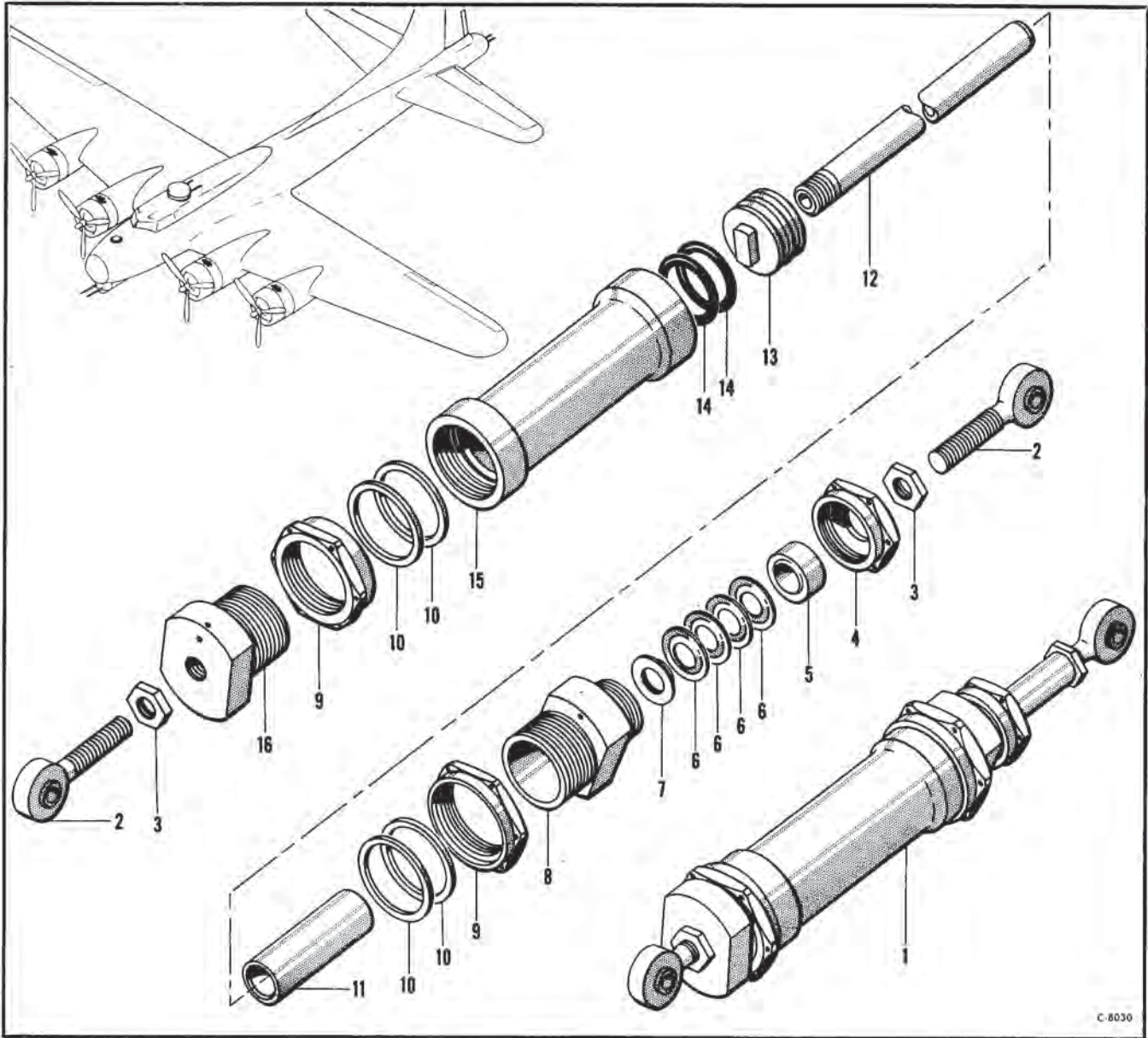
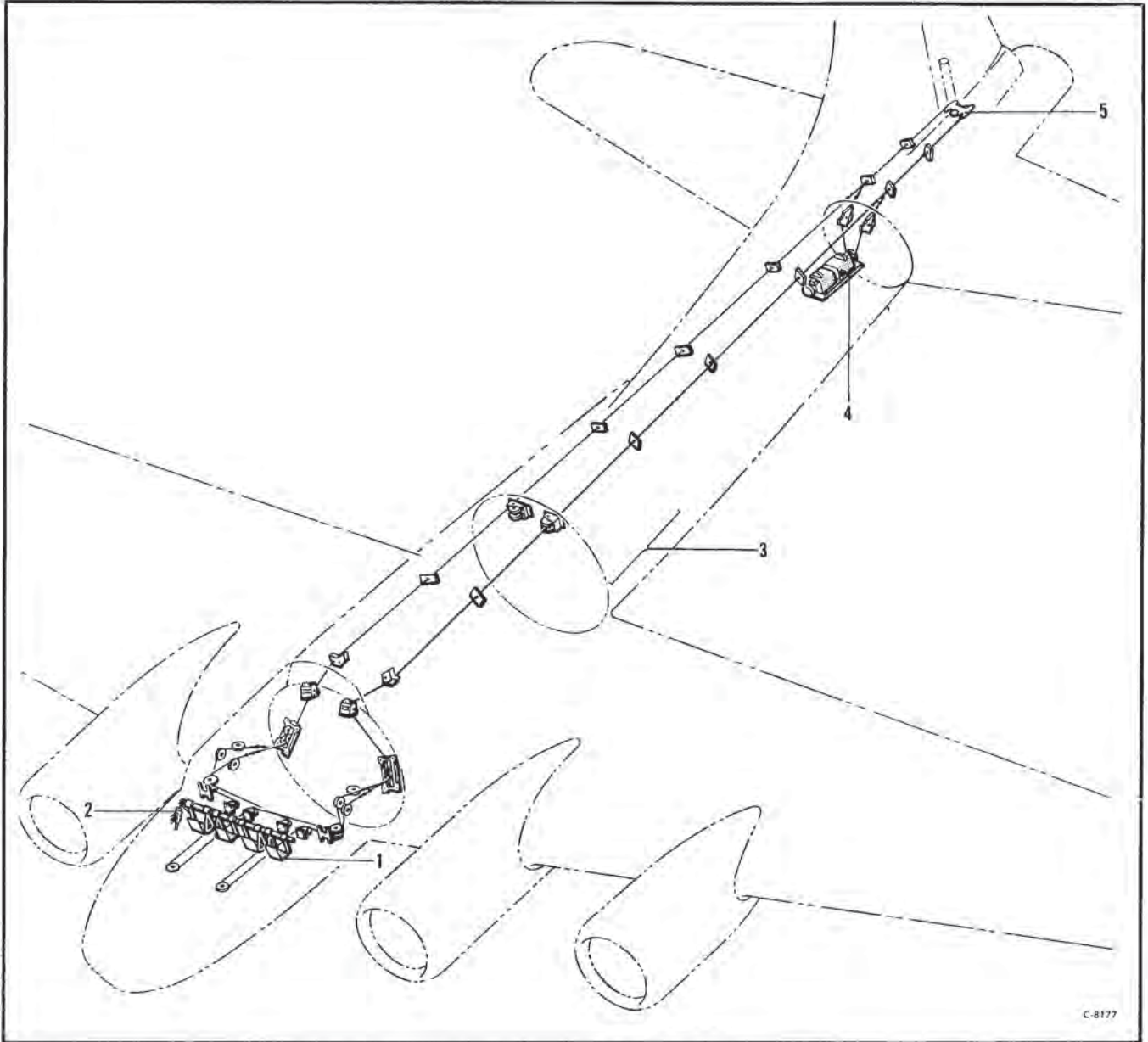


Figure 192—Cowl Flap Cylinder Assembly

Cowl Flap Cylinder Assembly

Figure & Index No.	Part Number	1	2	3	4	5	6	7	Nomenclature	Usage Code	Units Per Assy.
192-1	6-9447								Cylinder Assembly—Cowl flap (see Fig. 182)	All	Ref
2	3-13767								End Assembly—Piston rod	All	2
3	AN316-7R								Nut—Aircraft check	All	2
4	1-21393								Nut—Packing gland	All	1
5	1-21399								Ring—Cowl flap cylinder	All	1
6	40B629-7-018								Ring—Packing	All	4
7	1-21958								Ring—End packing	All	1
8	3-13766								End—Cowling flap cylinder	All	1
9	1-18603								Nut—Packing gland	All	2
10	1-21956								Washer—Cowl flap cylinder	All	4
11	1-18604								Spacer—Piston rod	All	1
	3-13768								Piston Assembly—Cowl flap operating	All	1
12	3-13769								Rod—Cowl flap operating	All	1
13	1-18909								Piston—Cowl flap operating	All	1
14	41-7710								Ring—Sealing	All	2
15	3-13764								Cylinder—Cowl flap operating	All	1
16	3-13765								End—Cowling flap cylinder	All	1

FUNCTIONAL SYSTEMS



C-8177

Figure 193—Rudder Control System

Rudder Control System

Figure & Index No.	Part Number	1 2 3 4 5 6 7	Nomenclature	Usage Code	Units Per Assy.
	55-7031		Rudder Control System		
193-1	75-3508		Installation—Rudder controls	All	NP
2	64-1600		Installation—Rudder pedals (see fig. 92)	All	NP
3			Installation—Brake control (see fig. 93)	All	NP
4	3-15184		Rudder Controls—Fuselage (see fig. 89)	All	NP
5	7-1515		Installation—Rudder and elevator servo unit (see fig. 98)	All	NP
			Mast—Rudder control (see fig. 58)	All	Ref

FUNCTIONAL SYSTEMS

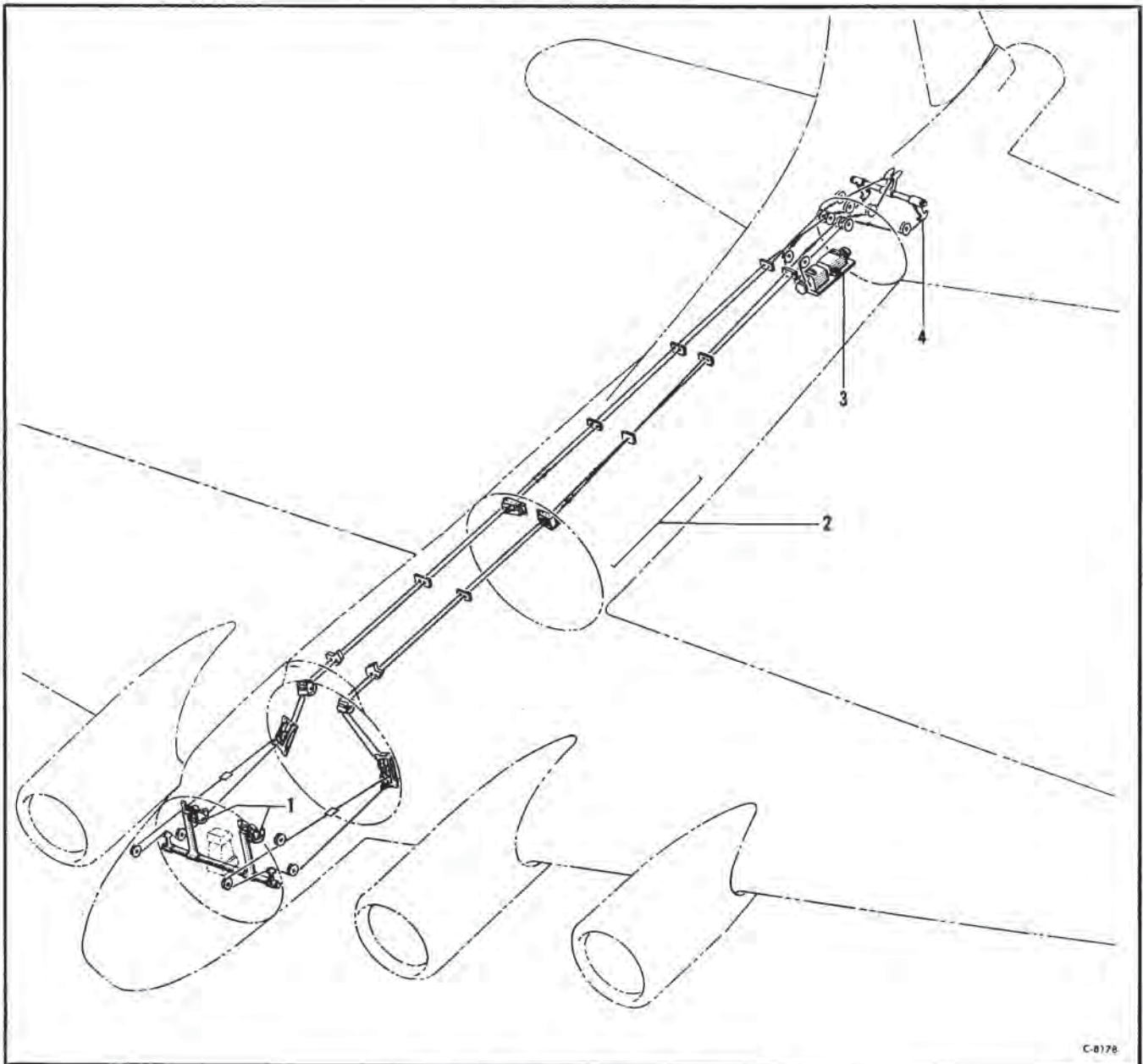


Figure 194—Elevator Control System

Elevator Control System

Figure & Index No.	Part Number	1 2 3 4 5 6 7	Nomenclature	Usage Code	Units Per Assy.
	55-7032		Elevator Control System.....	All	NP
194-1	15-8538		Installation—Elevator controls.....	All	NP
2			Installation—Aileron and elevator control column (see fig. 91).....	All	NP
3	3-15184		Elevator Controls—Fuselage (see fig. 88).....	All	NP
4	9-3664		Installation—Rudder and elevator servo unit (see fig. 98).....	All	Ref
			Mast—Elevator control (see fig. 58).....	All	Ref

FUNCTIONAL SYSTEMS

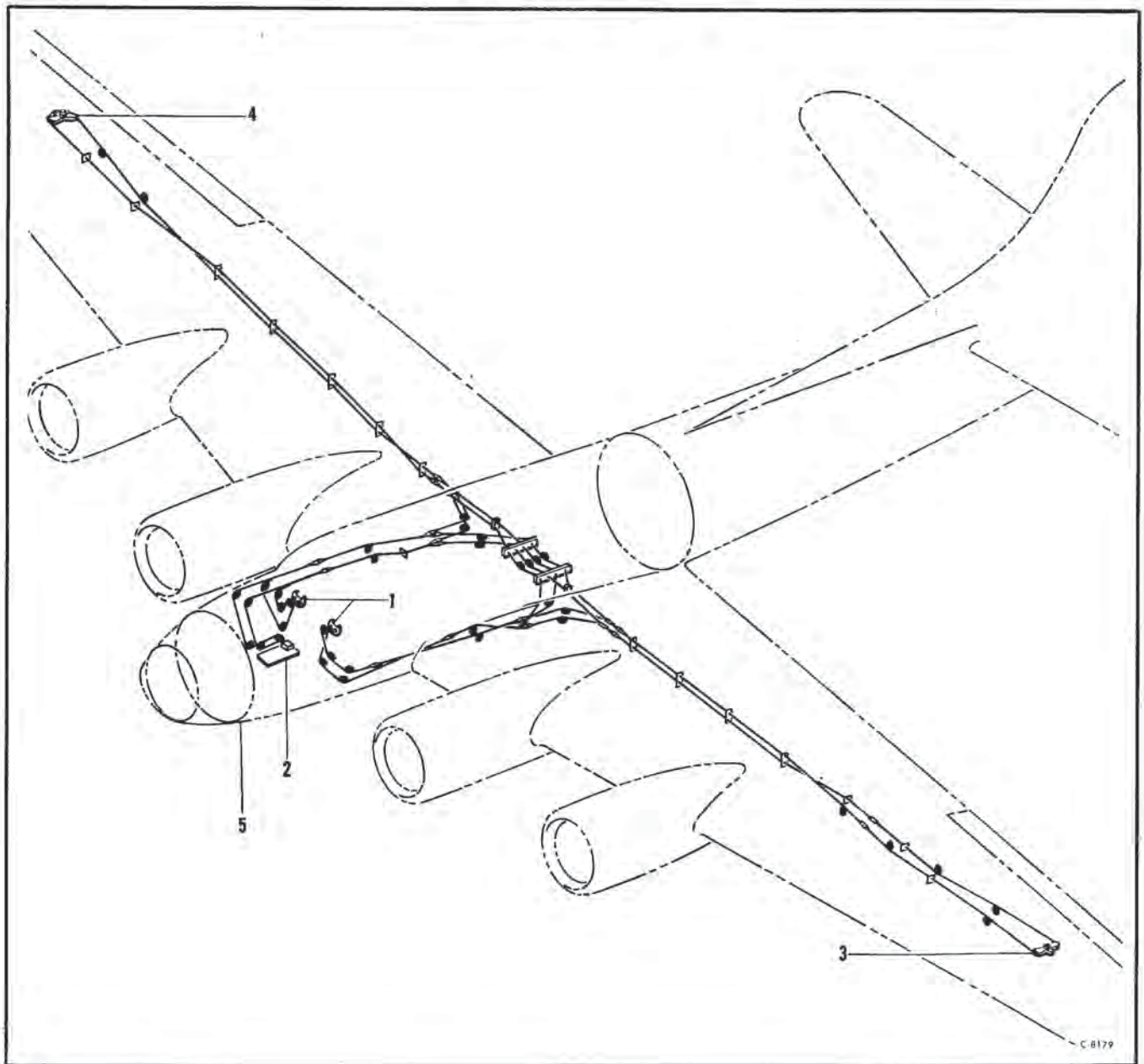


Figure 195—Aileron Control System

Aileron Control System

Figure & Index No.	Part Number	1	2	3	4	5	6	7	Nomenclature	Usage Code	Units Per Assy.
	15-11162								Aileron Control System.....		
	15-8538								Installation—Aileron control.....	All	NP
195-1	15-8538								Installation—Aileron and elevator control column (see Fig. 91).....	All	NP
2	3-15185								Installation—Aileron servo and converter unit (see Fig. 98).....	All	NP
3	8-1262-2								Quadrant Assembly—Aileron control (LH) (see Fig. 6).....	All	Ref
4	8-1262-3								Quadrant Assembly—Aileron control (RH) (see Fig. 6).....	All	Ref
5									Aileron Controls—Fuselage (see Fig. 87).....		

FUNCTIONAL SYSTEMS

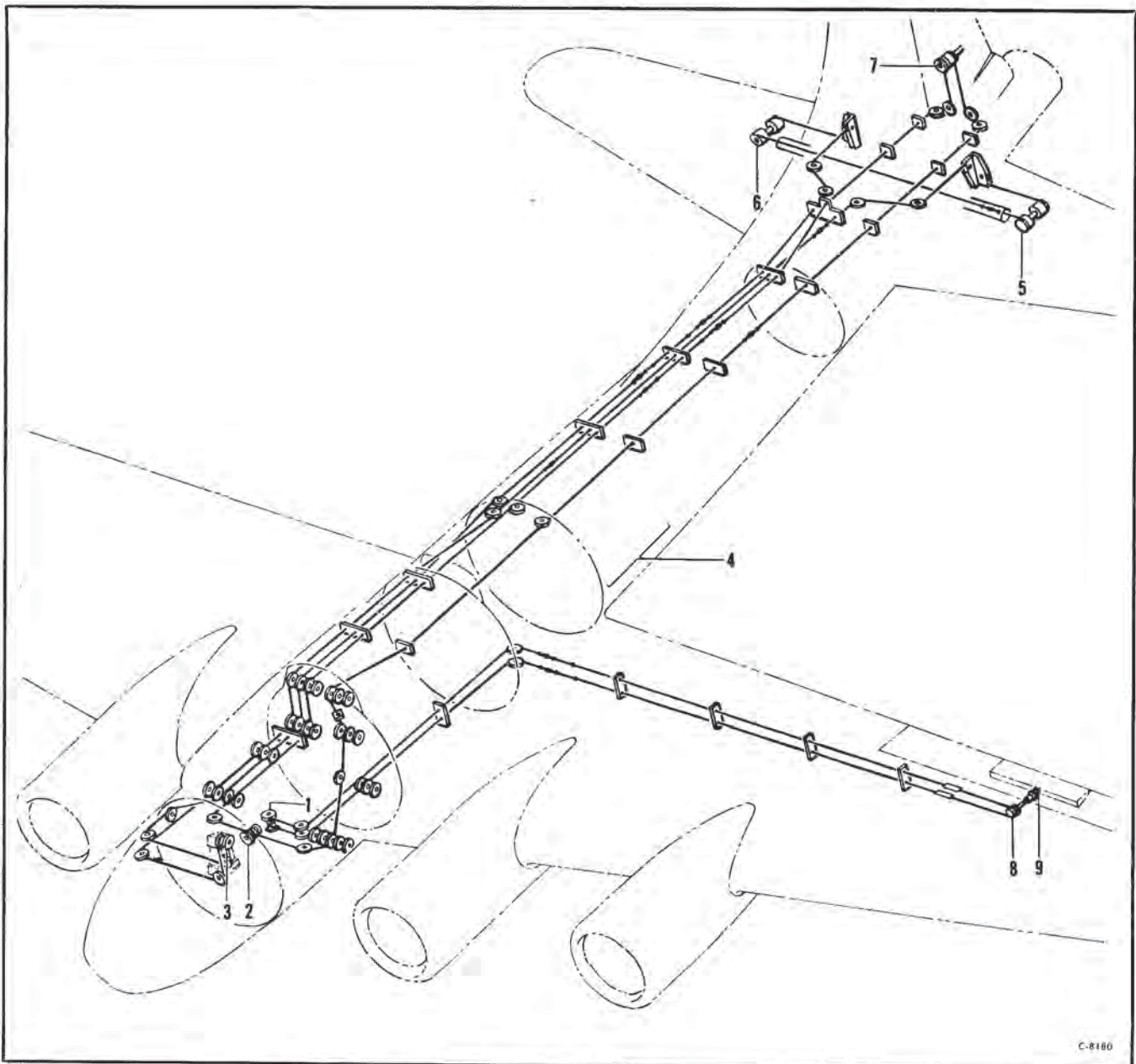


Figure 196—Tab Control System

Tab Control System

Figure & Index No.	Part Number	1	2	3	4	5	6	7	Nomenclature	Usage Code	Units Per Assy.
									Tab Control System		
	55-7034								Installation—Aileron rudder and elevator trim tabs	All	NP
196-1	56-4965-506								Control Assembly—Aileron tab (see fig. 94)	All	Ref
2	9-5311								Installation—Rudder tab control (see fig. 90)	All	NP
3									Elevator Trim Tab Unit (see fig. 103)		
4									Tab Control—Fuselage (see fig. 90)		
5	55-7580								Installation—Elev trim tab control (LH) (see fig. 62)	All	NP
6	55-7580-1								Installation—Elev trim tab control (RH) (see fig. 62)	All	NP
7	15-9497								Control—Rudder trim tab (see fig. 83)	All	Ref
8	7-1531-31								Installation—Aileron tab control drum (see fig. 6)	All	NP
9	7-1536								Control Assembly—Aileron trim tab (LH aileron only) (see fig. 7)	All	Ref

FUNCTIONAL SYSTEMS

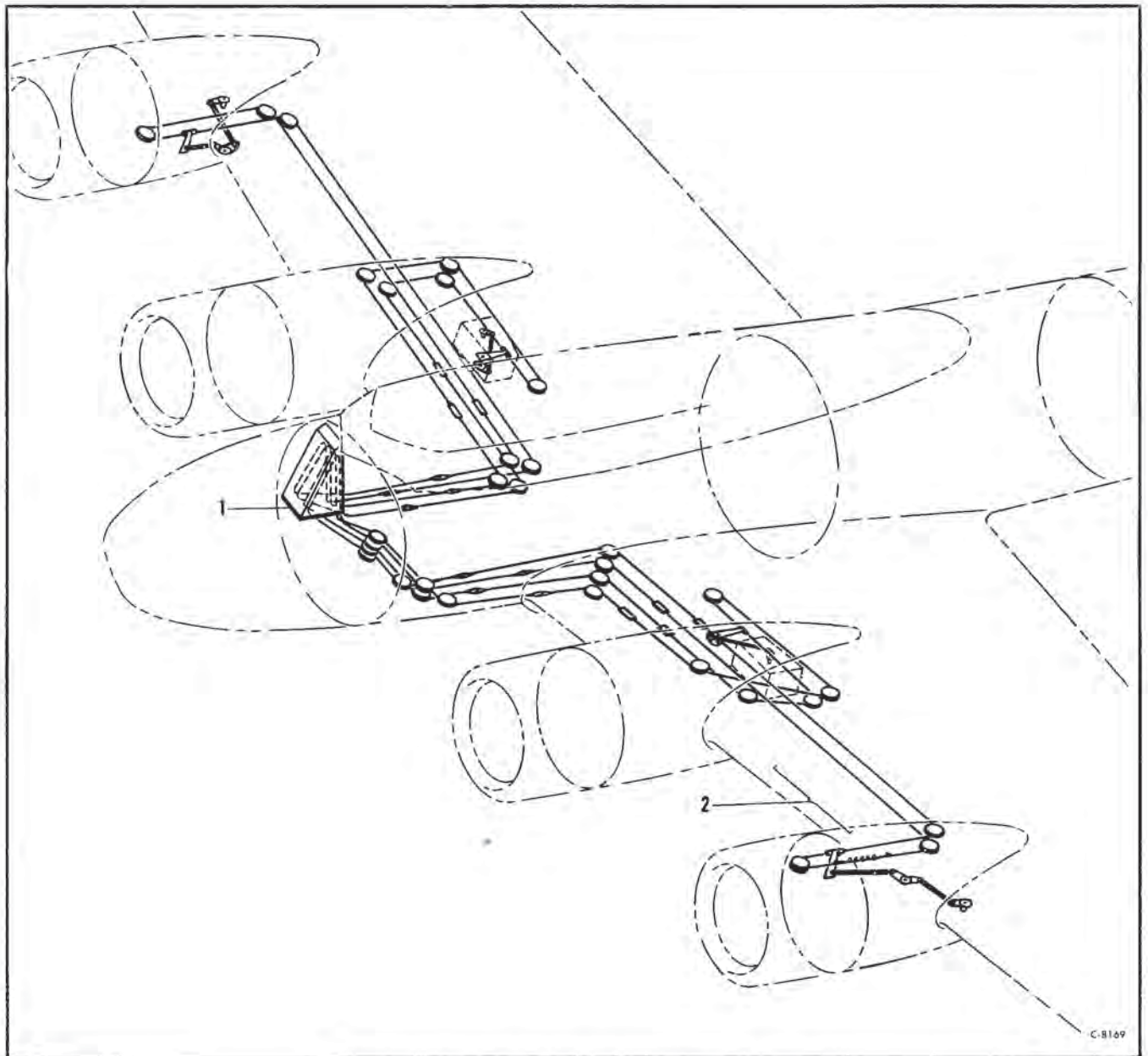


Figure 197—Intercooler Temperature Control

Intercooler Temperature Control

Figure & Index No.	Part Number	1	2	3	4	5	6	7	Nomenclature	Usage Code	Units Per Assy.
197-1 2	15-7038								Installation—Intercooler temperature control	All	NP
	55-6070								Installation—Intercooler temperature stand	All	NP
	55-6070-400								Stand Assembly—Intercooler temperature control (see Fig. 120)	All	1
									Intercooler Temperature Control—Wing (see fig. 37)		

FUNCTIONAL SYSTEMS

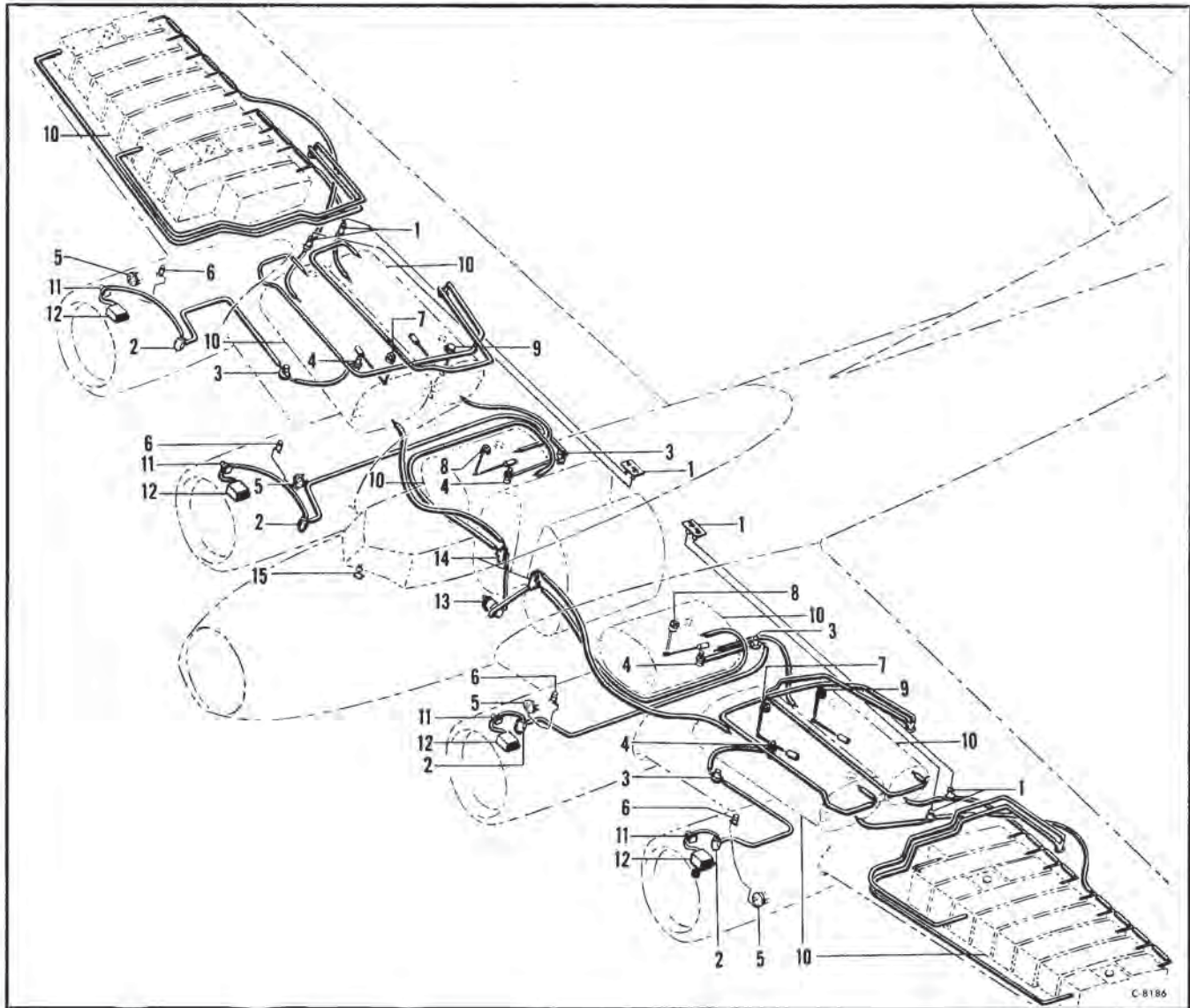
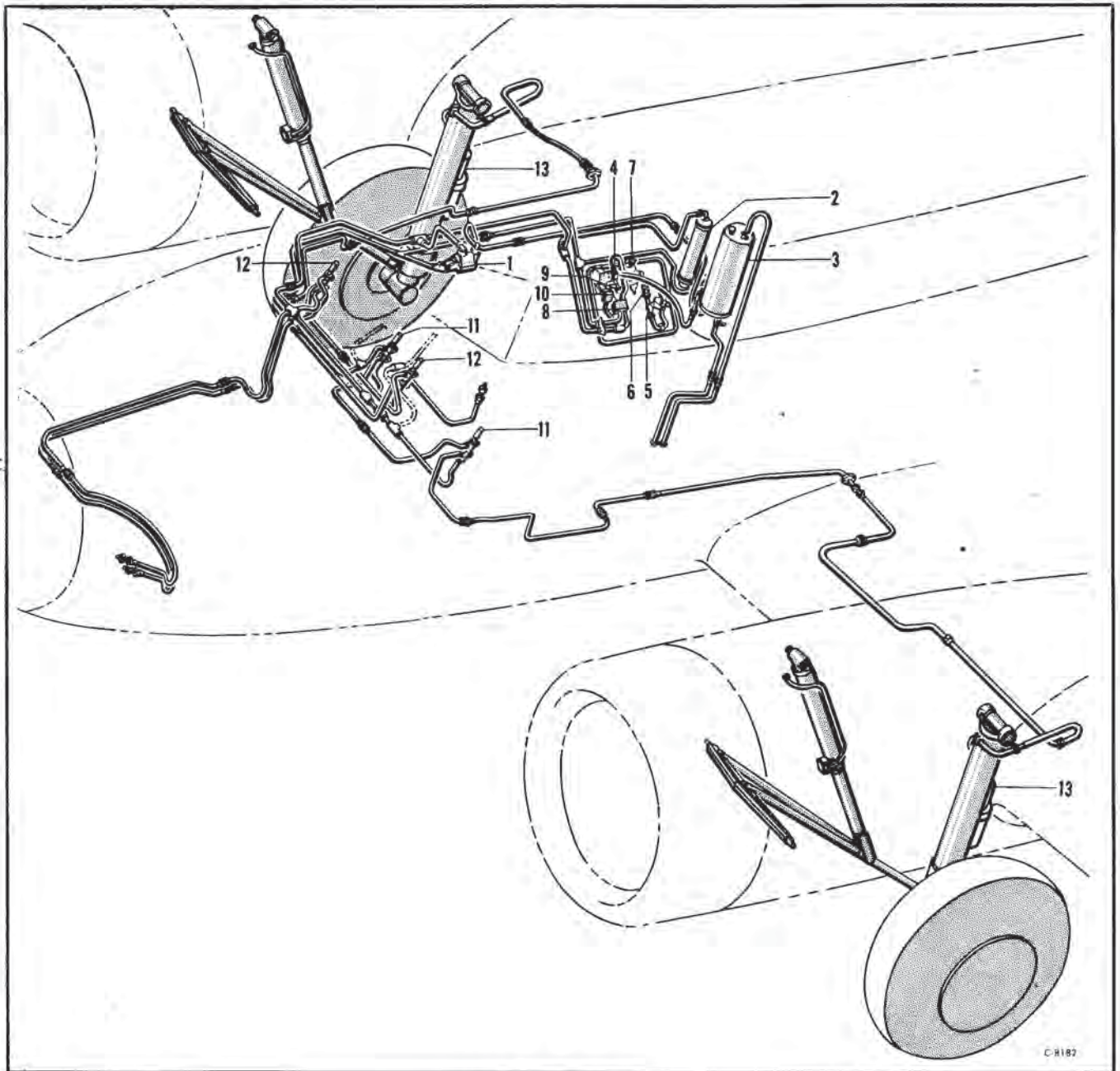


Figure 198—Fuel System

Fuel System

Figure & Index No.	Part Number	1	2	3	4	5	6	7	Nomenclature	Usage Code	Units Per Assy.
198-1	A855KX								Fuel System		Ref
	A855NX								Valve Assembly—Transfer control (Denison) GFE (see fig. 21)	D	Ref
	A855RX								Valve Assembly—Transfer control (E-5) (Denison) GFE (see fig. 21)	EE	Ref
2	13960-3								Valve Assembly—Transfer control (D-5) (Denison) GFE (see fig. 22)	PJ	Ref
3	2660								Strainer Assembly—Type C-4 (Aero Supply) (see fig. 23)	All	Ref
4	TFD12000								Valve Assembly—Fuel shut-off (Electromatic) (see fig. 23)	All	Ref
5	NO NUMBER								Pump Assembly—Fuel booster (Thompson) (see T.O. 03-10EC-4) (see fig. 23)	All	Ref
6	M441M2								Transmitter—Pressure (Type A-1) (Spec 27383-A) GFE (see fig. 23)	All	Ref
	UC1070								Valve Assy—Oil dilution solenoid (Air Assoc.) (see T.O. 03-15-17) (see fig. 30)	RA	Ref
7	EA15-10								Valve—Solenoid (United Aircraft) (see T.O. 03-15-24) (see fig. 30)	SJ	Ref
	EA15W								Unit Assembly—Fuel gage (Liquidometer) (see fig. 25)	RF	Ref
	EA15-11								Unit Assembly—Fuel gage (Liquidometer) (see fig. 25)	K	Ref
8	EA15W								Unit Assembly—Fuel gage (Liquidometer) (see fig. 25)	NG	Ref
	EA15-12								Unit Assembly—Fuel gage (Liquidometer) (see fig. 25)	T	Ref
9	EA15W								Unit Assembly—Fuel gage (Liquidometer) (see fig. 25)	DC	Ref
10									Unit Assembly—Fuel gage (Liquidometer) (see fig. 25)	S	Ref
	AN4101-1								Wing Fuel Tanks (see fig. 24)		
11	PD12H2								Pump—Power driven fuel (Type G-9) GFE (see fig. 177)	All	Ref
12	RG4430-2								Carburetor (Stromberg) (furnished with engine)	All	Ref
13	940167								Pump Assembly—Fuel transfer (Romec) (see fig. 105)	All	Ref
14	401-4A								Valve—Fuel trans. sel (Type PG-4) (Aero Supply) (see AN03-10-39) (see fig. 106)	All	Ref
15									Primer Assy—4 eng fuel (Parker) (see AN03-10-33) (see fig. 105)	All	Ref

FUNCTIONAL SYSTEMS



Hydraulic System

Figure 199—Hydraulic System

Figure & Index No.	Part Number	1	2	3	4	5	6	7	Nomenclature	Usage Code	Units Per Assy.
199-1	D10231								Hydraulic System	RC	Ref
	66-25507								Pump—Hydraulic hand (Adel) (see fig. 124)	TP	Ref
2	6-13191-2								Pump—Hydraulic hand (Harvill)	All	Ref
3	6-10440-12								Accumulator Assembly (see fig. 123)	All	Ref
4	IE678								Tank Assembly—Hydraulic reservoir (see fig. 123)	All	Ref
5	401561								Pump—Hydraulic (Pesco) (see fig. 126)	All	Ref
6	5291-1T8D								Valve—Check (Bendix) (see fig. 121)	All	Ref
7	27250								Connection—Suction test (Parker) (see fig. 125)	All	Ref
8	7-500-8-1								Purolator Assembly (Purolator) (see fig. 55)	All	Ref
9	251-2GT8D								Valve—Relief (Kenyon) (see fig. 125)	All	Ref
10	151								Valve—Shut-off (Parker) (see fig. 125)	All	Ref
11	3-9584-4								Switch Assembly—Pressure regulating (Starbird) (see fig. 121)	All	Ref
12	3-9584-5								Valve Assembly—Wheel brake (see fig. 93)	All	Ref
13	15-10414								Valve Assembly—Wheel brake (see fig. 93)	All	Ref
									Installation—Landing gear and brakes (see fig. 166)	All	NP

FUNCTIONAL SYSTEMS

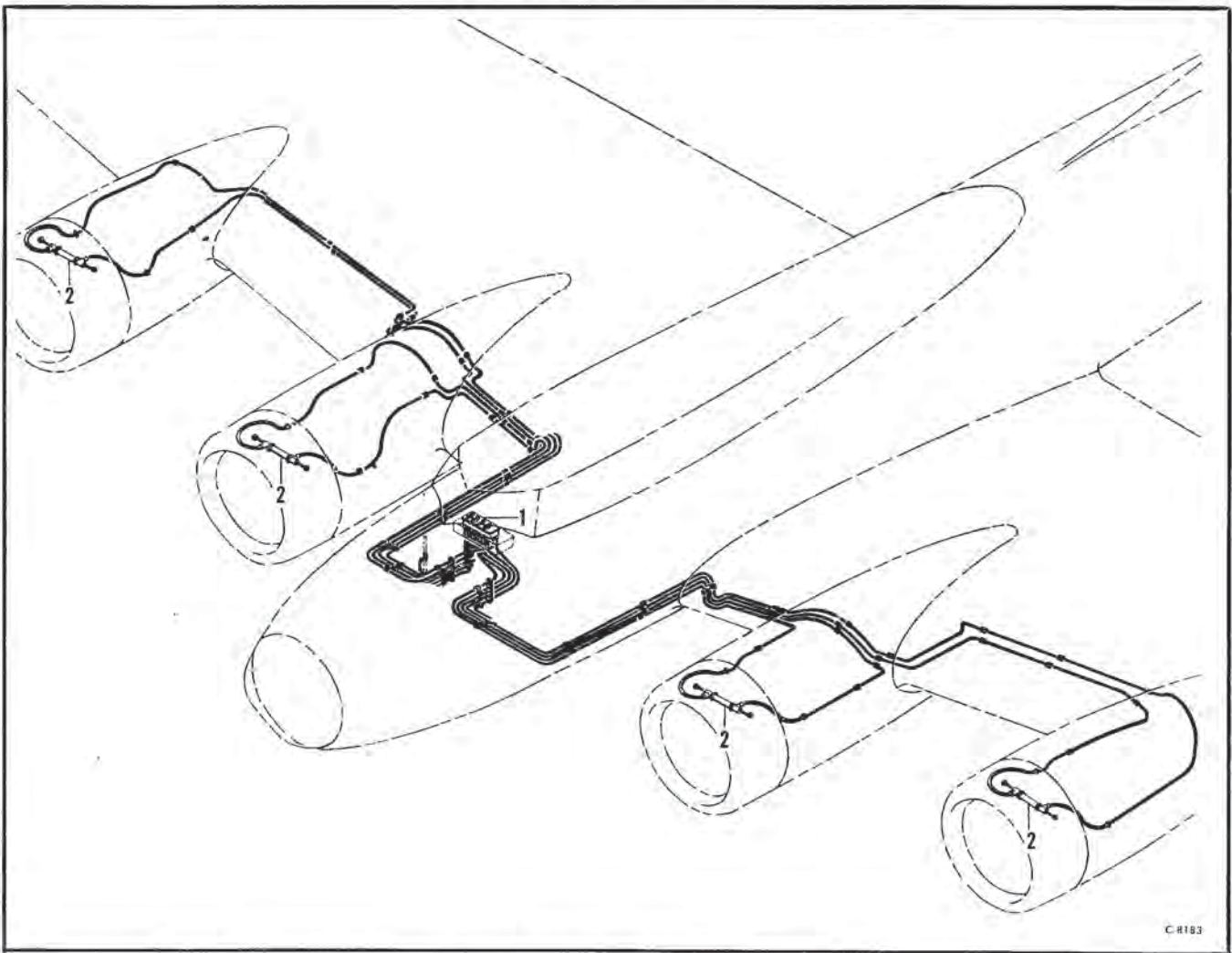


Figure 200—Cowl Flap System

Cowl Flap System

Figure & Index No.	Part Number	1	2	3	4	5	6	7	Nomenclature	Usage Code	Units Per Assy.
200-1	G10340								Cowl Flap System	All	Ref
2	6-9447								Valve—Cowl flap (Adel) (see fig. 112)	All	Ref
									Cylinder Assembly—Cowl flap (see fig. 192)	All	Ref

FUNCTIONAL SYSTEMS

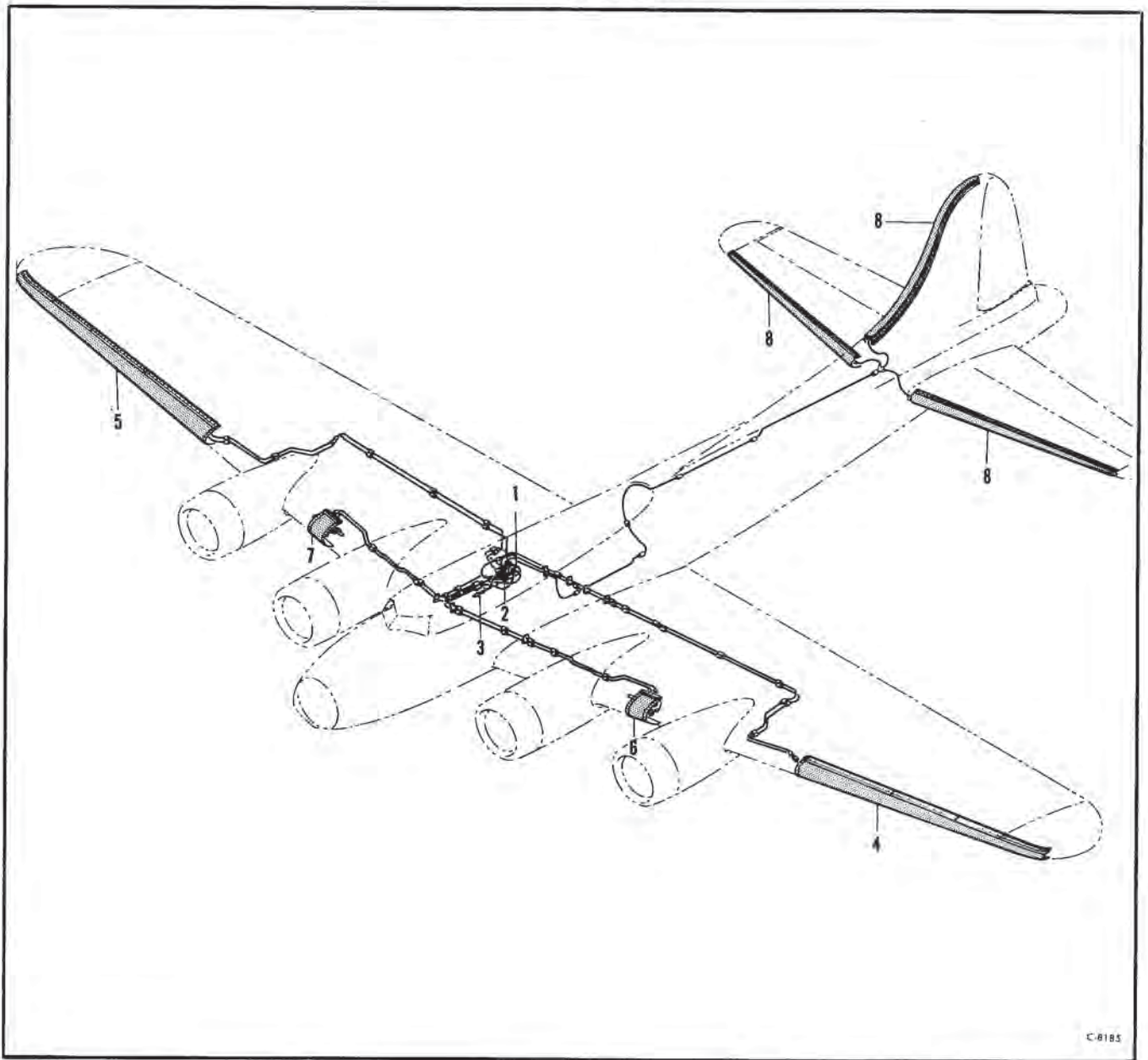


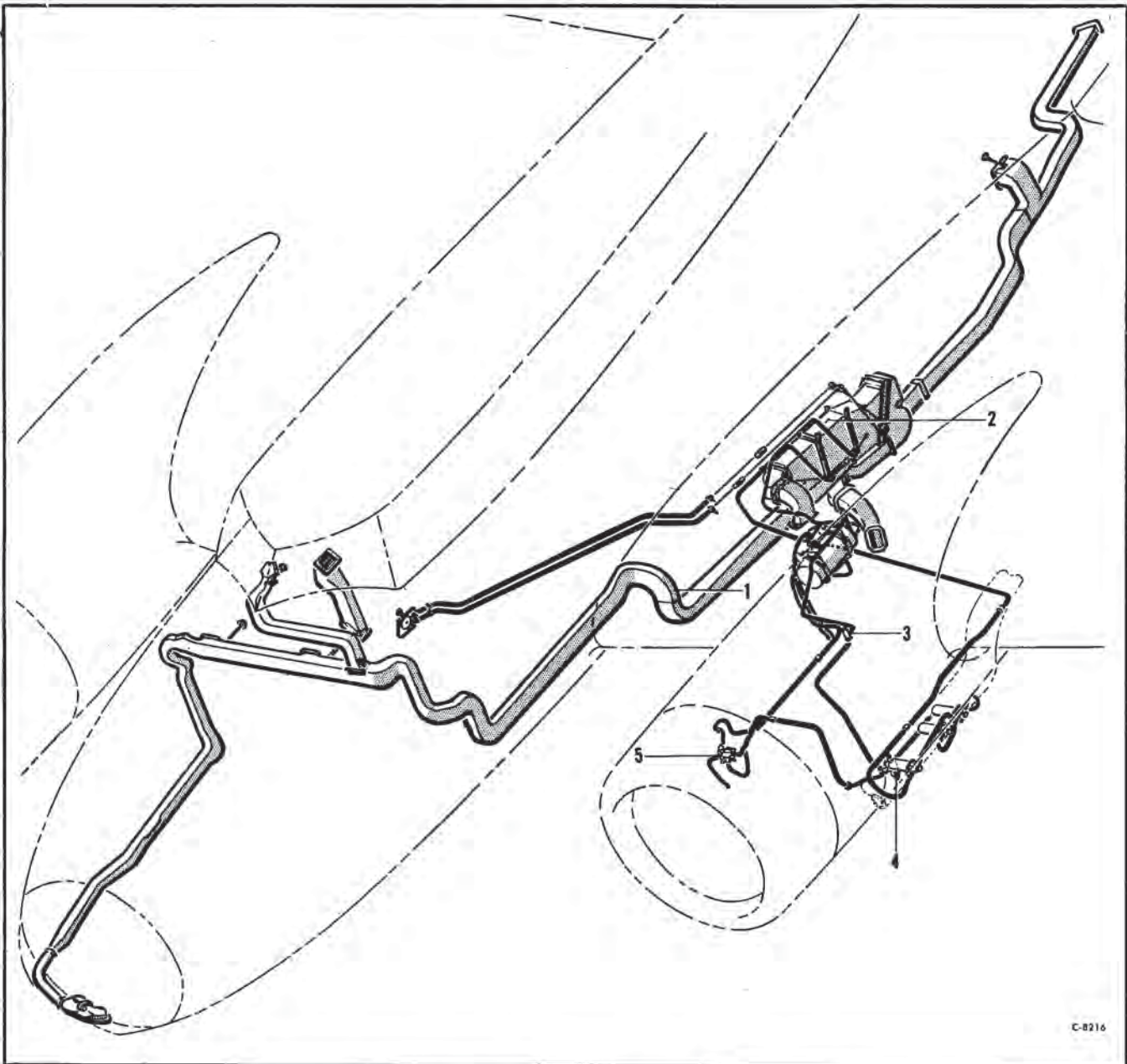
Figure 201—De-icer System

De-icer System

Figure & Index No.	Part Number	1	2	3	4	5	6	7	Nomenclature	Usage Code	Units Per Assy.
201-1	574-2								De-icer System		
2	DL445								Fuselage De-icer System (see fig. 139)	All	Ref
3	557-5								Valve Assembly—De-icer dist (Eclipse) (see T.O. 03-35B-4) (see fig. 139)	All	Ref
									Filter (P. R. Mallory Co.) (see fig. 139)	All	Ref
									Valve—Check (Eclipse) (see fig. 139)	All	Ref
4	FC163-4-1								Wing De-icer System (see fig. 50)		
5	FC163-4-2								Boot—LH wing outboard (Goodrich) (see fig. 50)	All	Ref
6	FC163-10-1								Boot—RH wing outboard (Goodrich) (see fig. 50)	All	Ref
7	FC163-10-2								Boot—LH wing inboard (Goodrich) (see fig. 50)	All	Ref
									Boot—RH wing inboard (Goodrich) (see fig. 50)	All	Ref
8	FC163-8-1								2-Tail De-icer (see fig. 61)	All	Ref
									Boot—Stabilizer (Goodrich) (see fig. 61)	All	Ref

C-8185

FUNCTIONAL SYSTEMS



C-8216

Figure 202—Heating and De-icing System

Heating and De-icing System

Figure & Index No.	Part Number	1	2	3	4	5	6	7	Nomenclature	Usage Code	Units Per Assy.
202-1									Heating and De-icing System.....		
2									Forward Fuselage Heating and De-icing System (see fig. 140).....		
									Heating and De-icing System—Fuselage aft (see fig. 141).....		
									Heating and De-icing System—Wing (see fig. 53).....		
3	7658E								Exchanger—Heat (see fig. 53).....	XM	Ref
									Cabin Heat Control (see fig. 57).....		
4	15-13013								Installation—Cabin heat stand (see fig. 144).....	XM	NP
5	15-12965								Installation—Cabin heat control bracket (see fig. 56).....	XM	NP

FUNCTIONAL SYSTEMS

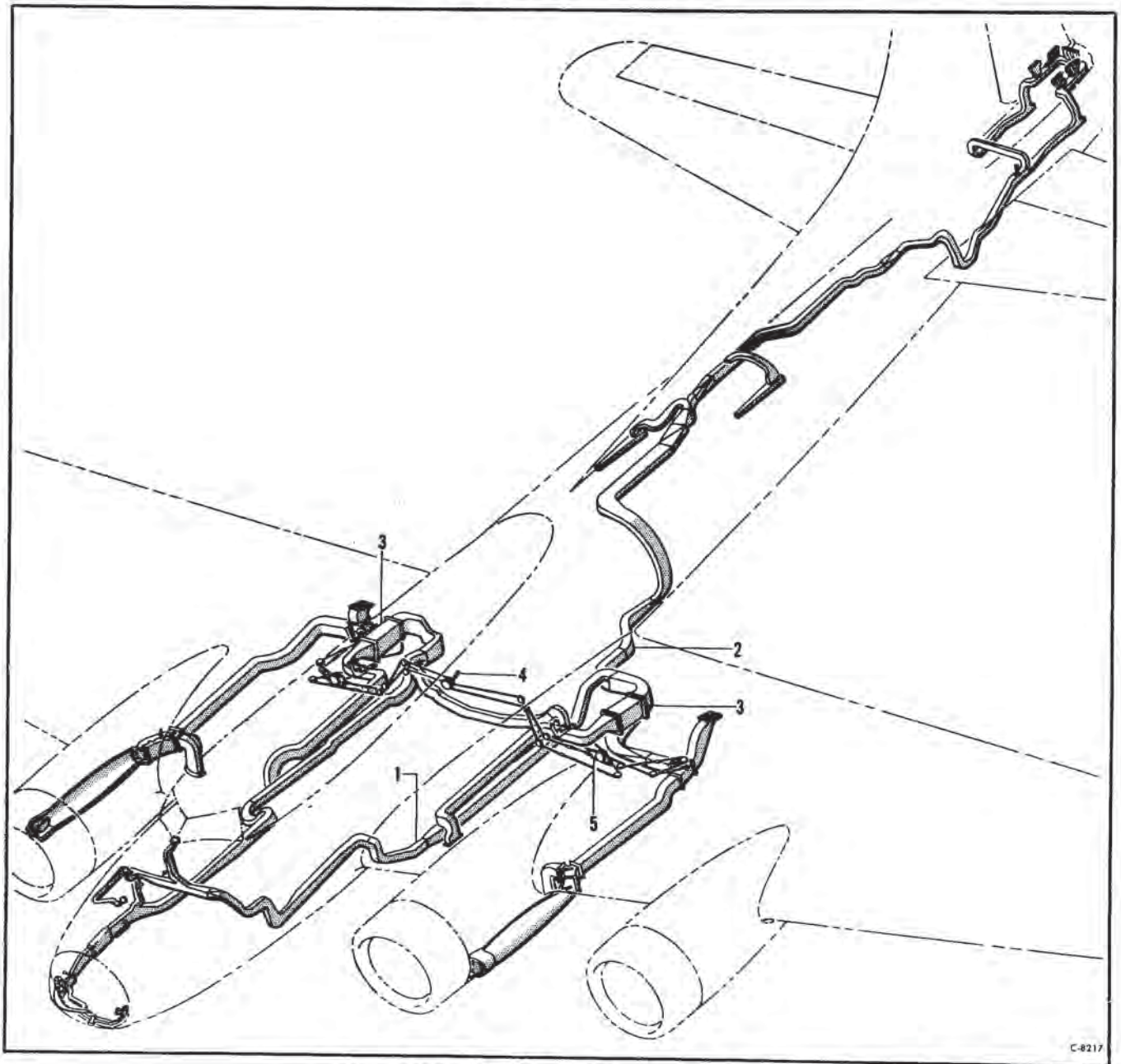


Figure 203—Heating and Ventilating System

Heating and Ventilating System

Figure & Index No.	Part Number	1	2	3	4	5	6	7	Nomenclature	Usage Code	Units Per Assy.
203-1									Heating and Ventilating System.....		
	2								Heating and Ventilating System—Fuselage forward (see fig. 142).....		
									Heating and Ventilating System—Fuselage aft (see fig. 143).....		
									Radiator Assembly (McQuay) (see fig. 143).....	QB	Ref
									Glycol System (see fig. 54).....		
	3								Valve Assembly—Pressure relief (Parker) (see fig. 55).....	QB	Ref
	4								Purolator Assembly (Type G159J18) (Purolator) (see fig. 55).....	QB	Ref
	5								Pump Assembly—Glycol (Romec) (see AN03-35A-6) (see fig. 177).....	QB	Ref

FUNCTIONAL SYSTEMS

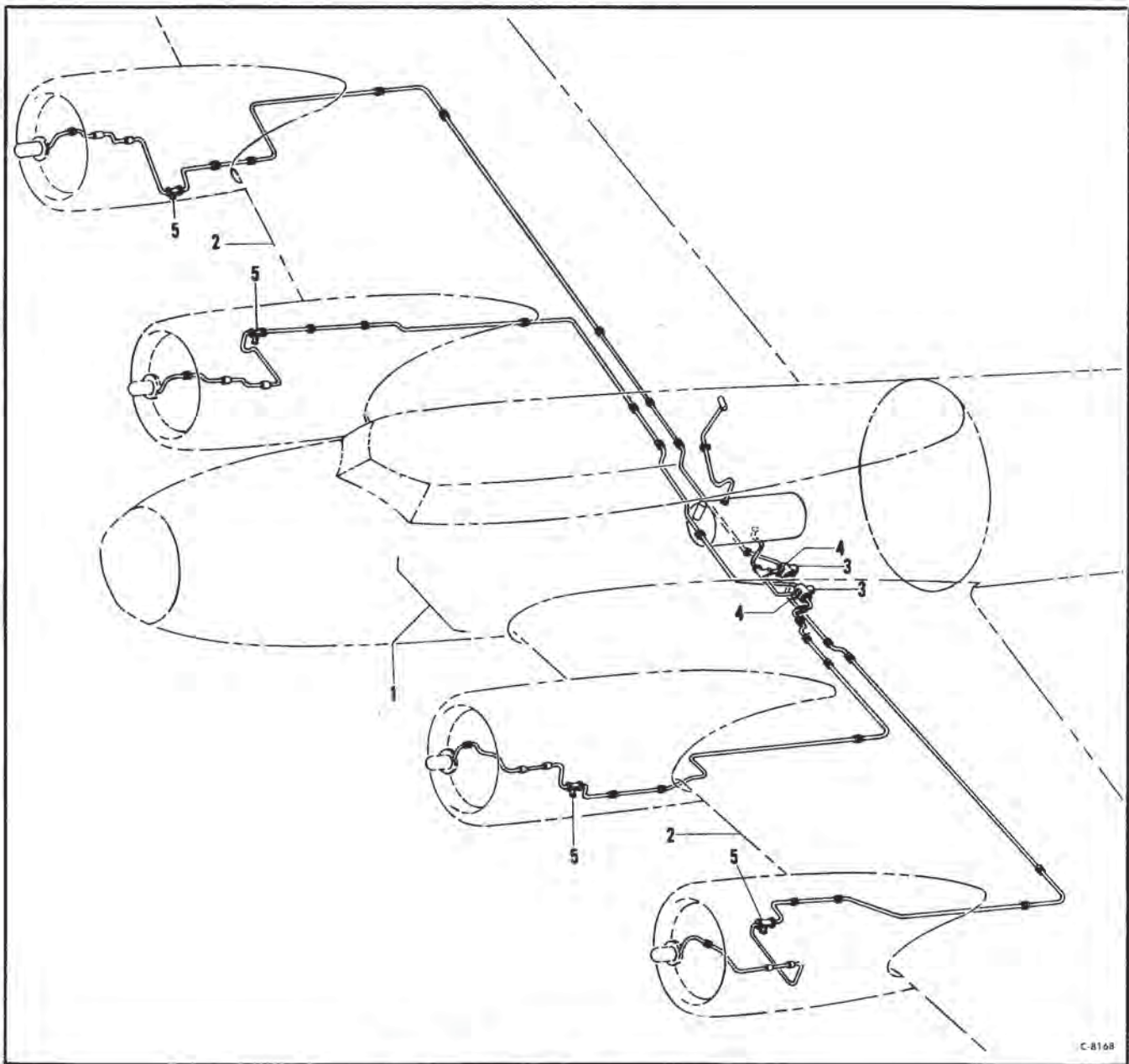


Figure 204—Propeller Anti-icer System

Propeller Anti-icer System

Figure & Index No.	Part Number	1 2 3 4 5 6 7	Nomenclature	Usage Code	Units Per Assy.
	65-5660		Propeller Anti-icer System		
204-1			Installation—Propeller anti-icer	All	NP
2			Propeller Anti-icer—Fuselage (see fig. 138)		
3	744-6		Propeller Anti-icer—Wing (see fig. 49)		
	AN6100-1		Pump Assembly—Propeller anti-icer (Eclipse) (see T.O. 03-1-5) (see fig. 138)	CB	Ref
	712-1A		Pump Assembly—Fluid metering (propeller anti-icer) (see fig. 138)	IL	Ref
4	AN6101-1		Filter Assembly—Propeller anti-icer (Eclipse) (see fig. 138)	CB	Ref
	6001DD1-4D		Filter Assembly—Fluid metering pump (propeller anti-icer) (see fig. 138)	IL	Ref
5			Valve Assembly—Relief (Parker) (see fig. 49)	All	Ref

FUNCTIONAL SYSTEMS

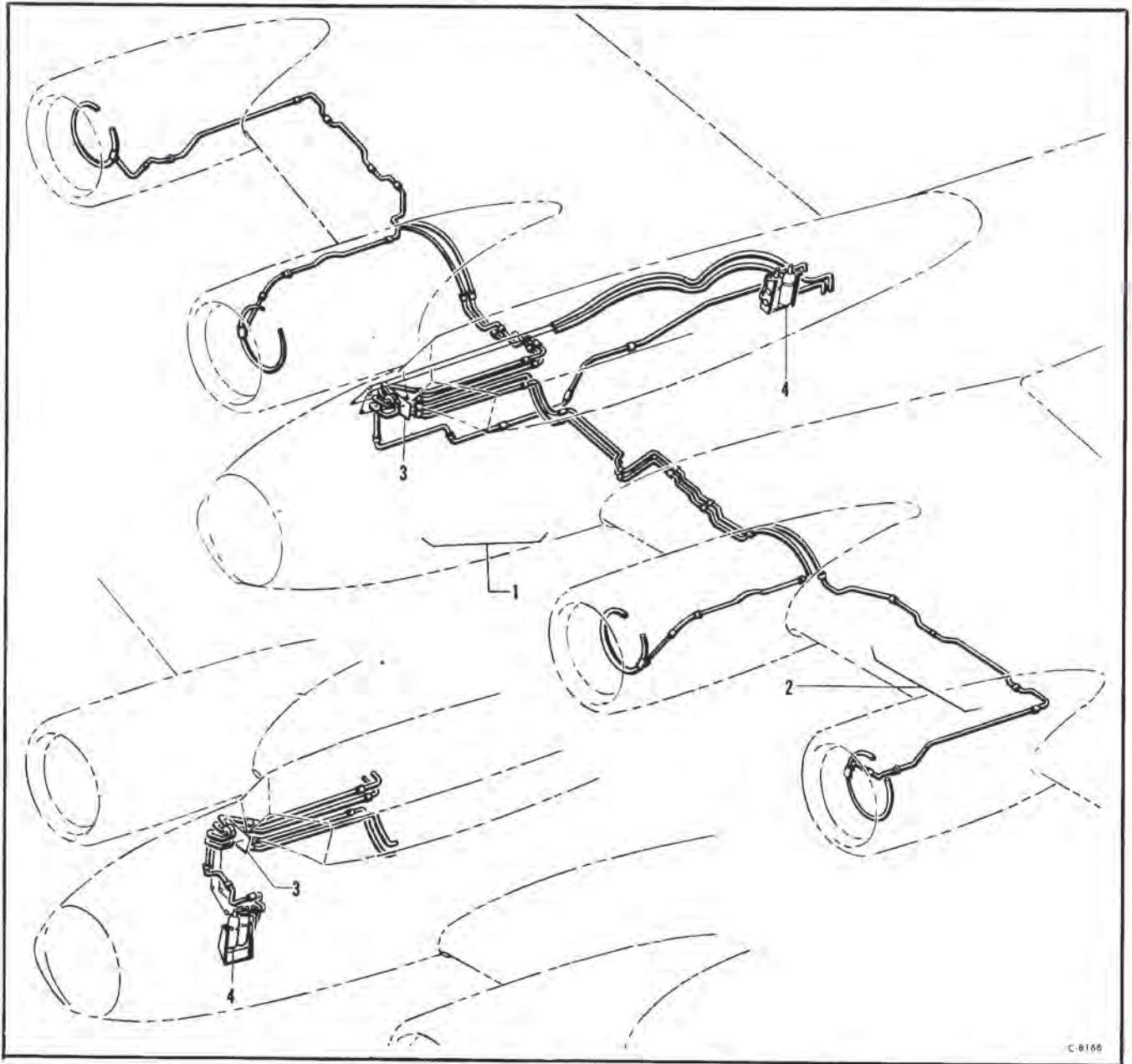


Figure 205—Engine Fire Extinguisher System

Engine Fire Extinguisher System

Figure & Index No.	Part Number	1 2 3 4 5 6 7	Nomenclature	Usage Code	Units Per Assy.
205-1	65-5679		Engine Fire Extinguisher System		
2			Installation—Engine fire extinguisher	LI	NP
3	2CD5016		Engine Fire Extinguisher—Fuselage (see fig. 135)		
4	60870		Engine Fire Extinguisher—Wing (see fig. 51)		
			Panel Assembly—Control (American LaFrance-Foamite Corp.) GFE (see fig. 135)	LI	Ref
			Cylinder Assembly (Walter Kidde Co.) GFE (see fig. 135)	LI	Ref

FUNCTIONAL SYSTEMS

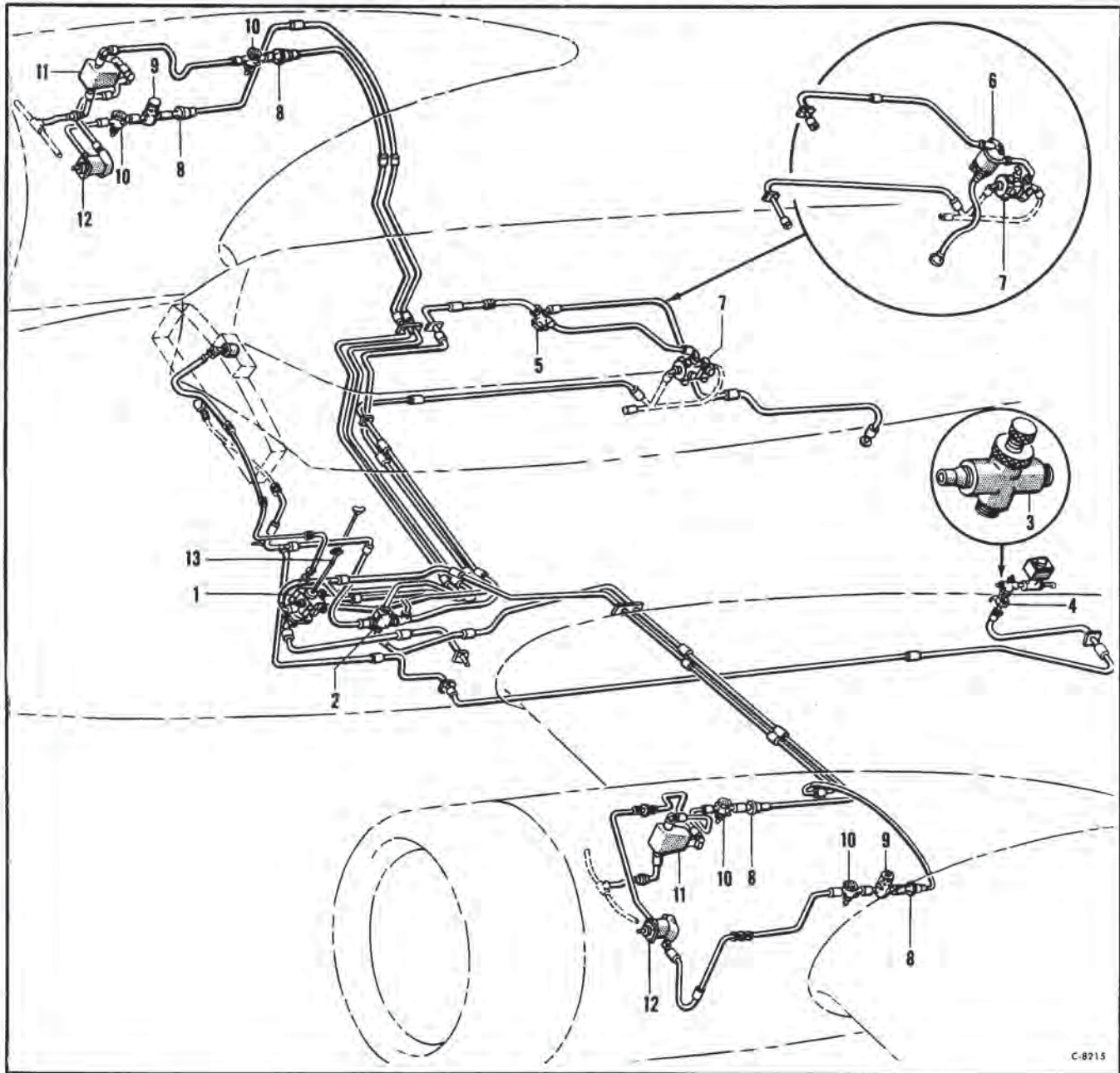


Figure 206—Vacuum System

Vacuum System

Figure & Index No.	Part Number	1 2 3 4 5 6 7	Nomenclature	Usage Code	Units Per Assy.
206-1	577-2		Vacuum System	All	Ref
2	B2-1741-1		Valve Assembly—De-icer (Eclipse) (see T.O. 03-35B-4) (see fig. 136)	All	Ref
3	38A6133		Valve—Selector (Parker) (see fig. 137)	All	Ref
4	AN5771-5A		Valve Assembly—Vacuum (see fig. 136)	All	Ref
5	46-6684-405		Gage—Single pressure GFE (see fig. 136)	All	Ref
6	E120386		Separator Assembly—Oil (see fig. 136)	BC	Ref
7	574-2		Separator Assembly—Oil (see T.O. 03-1-5) (see fig. 136)	NO	Ref
8	557-5		Valve Assembly—De-icer distributor (Eclipse) (see T.O. 03-35B-4) (see fig. 139)	All	Ref
9	217HA		Valve—Check (Eclipse) (see T.O. 03-35B-3) (see fig. 52)	All	Ref
10	NO NUMBER		Valve Assembly—Safety (Pesco) (see fig. 137)	All	Ref
11	NO NUMBER		Valve—Relief (Spec 95-28368) (Type B-8) GFE (see fig. 52)	All	Ref
12	NO NUMBER		Separator—Oil (Spec 95-28368) (Type B-8) GFE (see fig. 52)	All	Ref
13	15-7515-37		Pump—Vacuum (Spec 95-28368) (Type B-8) GFE (see fig. 177)	All	Ref
			Shaft Assembly (see fig. 136)	All	Ref



Section three

**NUMERICAL
PARTS LIST**

Section III
Numerical Parts List

AN 01-20EG-4

U. S. Army	U. S. Navy	British	Part Number	Figure & Index No.	Total Qty.	U. S. Army	U. S. Navy	British	Part Number	Figure & Index No.	Total Qty.
			Adapter	146-2 147-76 150-8 151-2	7					46-10 110-27 111-59 110-24	19
			Ammeter	112-17	4				Rheostat	110-33 111-83 114-14 114-35 115-30 116-11	
			Amplifier	98-11	1				Separator	52-11 206-11	2 4
			Antenna	128-10	1				Signal	134-4	4
			Bag	98-1	1				Solenoid	45 45-22 46 46-4 46-5 113	20
			Ball	124-4	2				Stabilizer	98-3 46-9 111-33	1 11
			Bearing	124-23	2					111-54 113-1 114-33 115 115-8	
			Bomb Release	116	2				Thermometer	108-1	1
			Bombsight	98-2	1				Tire	166-61 172-50	3
			Bottle	134-11	2				Transformer	111-30	4
			Box	98-14 100-8 108-24 108-23 134-12 65-42 146 146-17 147 149 149-13 150 150-15 151 151-15	1 1 18 1 9				Transmitter	23 28-14 28-18 198-5 108-18 166-62 172-51 52-25 177-8 206-12 52-9 134-5 206-10 109-30 112-19	12
			Clock	108-24	1				Tube	172-51 198-5 108-18 166-62 172-51 52-25	4
			Compass	108-23	1				Vacuum Pump	177-8 206-12	2
			Cylinder	134-12	18				Valve	52-9 134-5 206-10	9
			Dome	65-42	1				Voltmeter	109-30 112-19	2
			Gun Heater	146 146-17 147 149 149-13 150 150-15 151 151-15	9				AC168-3	91	1
			Gyro	98-12 109-36 133-17 133-34 133-49 133-54	9				AC168-4	91	1
			Indicator	98-15 108-7 108-50 109 109-10 109-19 109-21 109-26 109-28 116 116-30 133-12 133-35 133-45 133-55	17				ALG100005-20	166-54	2
			Intervalometer	110-38	1				ALG100005-21	166	2
			Inverter	98-9 111-25 111-70	4				ALG100006-10	165-1 166-63	2
			Lamp	3 3-4 110 110-8 110-9 110-39 114-8	17				ALG206	165-2	2
			Mast	127-44 128 128-1 128-4 128-6	5				ALG206A	165	2
			Pad	98	1				ALG207	165-3	2
			Panel	98-4	1				ALG239	165-8	2
			Power Plant	115-1	1				ALG252	165-7	2
			Propeller	177-2	4				ALG252A	165	2
			Recorder	108-4	1				ALG262-10	165-4	2
			Regulator	111-32 115-2	5				ALG262-20	165-5	2
			Relay	44 44-26 45 45-23 46	18				ALG437A	165-10	2
									AM26A1C	130	1
									AN10-12	166-51	24
									AN10-13	166-52	36
									AN10-46	15-19	4
									AN10-47	13-42	10
									AN10-81	13-32	2
									AN150-21S	25-18	12
									AN150-32S	25-29	4
									AN150-46S	28-6	12
									AN155-16L	57-12	4
									AN155-16S	57-11	8
									AN155-6L	143-34	2
									AN176-32	75-12	12
									AN200KR4	160	2
									AN200KR6	160	6
									AN200K4	12	45

AN 01-20EG-4

Section III
Numerical Parts List

U. S. Army	U. S. Navy	British	Part Number	Figure & Index No.	Total Qty.	U. S. Army	U. S. Navy	British	Part Number	Figure & Index No.	Total Qty.
			AN200K5	12	5				AN3-20A	93-26	60
			AN200K6	83	1				AN3-21A	14-6	20
			AN200K8	79	1				AN3-22A	14-7	12
			AN201K10A	19-37	34				AN3-23A	105	12
			AN201K12A	19-26	44				AN3-25A	6-16	14
			AN201K16A	91-16	6				AN3-26A	66-34	1
			AN201K4A	37-7	12				AN3-27A	72-21	2
			AN201K8A	41-2	53				AN3-3A	16-6	138
			AN207D4	12-36	34				AN3-32A	9-8	13
			AN210-2A	82-16	24				AN3-33A	56-19	6
			AN22-12	147-72	1				AN3-34A	6-18	9
			AN227-15BS	151-38	22				AN3-4	66-27	5
			AN227-16B	151	22				AN3-4A	6-40	225
			AN227-19BL	151-37	22				AN3-40	172-17	1
			AN227-20B	151	22				AN3-5	67-8	8
			AN227-8B	70-51	18				AN3-5A	14-5	243
			AN227-9B	151	16				AN3-50	153-23	2
			AN23-11	76-4	2				AN3-50A	120-15	4
			AN23-12	36-31	7				AN3-6	7-8	8
			AN23-13	152-19	12				AN3-6A	20-45	389
			AN23-13A	164-20	8				AN3-7	19-30	86
			AN23-16	76-14	2				AN3-7A	14-34	102
			AN23-17	76-12	2				AN3A11	78-6	4
			AN23-18	159	1				AN3DD6A	175-13	1
			AN23-20	103-41	2				AN30-19	18-13	2
			AN23-21	130-30	5				AN3021-6	129-13	1
			AN23-22	152-14	1				AN3022-1B	111-44	6
			AN23-26A	160-16	8				AN3022-2B	108-8	46
			AN23-27A	20	20				AN3022-3B	111-49	2
			AN23-32	124-24	1				AN3022-5B	110-19	8
			AN23-8	73-34	2				AN3022-7B	110-4	9
			AN24-13A	168-32	4				AN3022-8B	112-20	9
			AN24-17	72-23	6				AN3024-1	45-9	4
			AN24-40	158-22	3				AN3034-1	129-14	2
			AN24-42	168-31	2				AN3057-16	115	1
			AN24-9A	12-12	8				AN3074-1	177-4	4
			AN25-20	72-17	6				AN3096-4	114-26	1
			AN25-21	6-13	2				AN3096-5	114-24	1
			AN25-23	2-41	4				AN3096-6	114-25	1
			AN25-25	2-42	8				AN3097-2	114-27	1
			AN25-29	13-54	8				AN310-10	167	16
			AN25-66	6-14	2				AN310-16	167-42	2
			AN25-78	172-2	1				AN310-3	7	65
			AN25-9A	12-18	32				AN310-4	2	228
			AN250-11U	64-53	1				AN310-5	12	36
			AN251-2-2	79-16	2				AN310-6	94-26	39
			AN26-14	164-5	4				AN310-7	179-15	35
			AN26-24	13-58	6				AN310-8	58	3
			AN26-31	13-57	8				AN301D8	172	1
			AN26-52	104-5	6				AN3100-16-13P	45	2
			AN26-54	104-24	3				AN3100-16S4S	45	2
			AN26-60	104-17	2				AN3100-24-1S	45	2
			AN27-16	167-20	16				AN3102-16-1!S	114-13	2
			AN270B10	6-26	3				AN3102-16-13P	45-20	4
			AN28-16	18-12	8				AN3102-16S4S	45-21	4
			AN286-1	92	16				AN3102-20-6P	45-33	4
			AN286-2	14-16	8				AN3102-24-1S	45-19	4
			AN286-3	13-7	32				AN3106-10S2S	114-15	1
			AN286-4	154-39	11				AN3106-16S6P	114-12	1
			AN287-6	181-23	32				AN3106-28-5S	115	1
			AN29-66	166-7	2				AN3121-2	110-15	16
			AN29-86	166-8	2				AN3121-301	112-15	2
			AN3-10	19-29	10				AN3121-313	108-26	37
			AN3-10A	30-5	24				AN3123-301	110-16	7
			AN3-11	159	9				AN3124-307	110-17	5
			AN3-11A	75-25	13				AN3130-4560	44-16	2
			AN3-12	54-40	10				AN3131-303	111-13	4
			AN3-12A	20-9	91				AN3132-308	110-18	1
			AN3-13	176-16	4				AN3133-11	44-24	1
			AN3-13A	14	52				AN315-3L	25	12
			AN3-14A	38-12	18				AN315-3R	25	13
			AN3-15	152-8	1				AN315-4L	25	8
			AN3-15A	16-4	18				AN315-4R	25	8
			AN3-16	151-32	2				AN315-5L	106-16	8
			AN3-16A	16-14	12				AN315-5R	76-30	23
			AN3-17	157-25	1				AN3150	47-1	3
			AN3-17A	62-16	11				AN3155-25-25	110-37	2
			AN3-20	56-4	6				AN316-10R	147-25	4

Section III
Numerical Parts List

T. O. 1B-17G-4

U. S. Army	U. S. Navy	British	Part Number	Figure & Index No.	Total Qty.	U. S. Army	U. S. Navy	British	Part Number	Figure & Index No.	Total Qty.
			AN316-4R	73-27	27				AN393-17	82-43	2
			AN316-5R	154-12	3				AN393-19	80-9	1
			AN316-6L	170-17	70				AN393-55	155-24	10
			AN316-6R	39-43	82				AN393-9	92	4
			AN316-7R	192-3	8				AN394-21	124-29	1
			AN3160-20A	118-12	1				AN394-31	124-30	1
			AN32-40	172-36	2				AN395-17	106	6
			AN32-54	166-65	2				AN4-10A	2-12	42
			AN32-62	172-37	1				AN4-11	58-38	2
			AN32-64	172-48	1				AN4-11A	147-93	23
			AN32-86	172-4	1				AN4-12	2-36	13
			AN320-10	7-22	3				AN4-12A	105-9	9
			AN320-12	172	4				AN4-13	58-10	8
			AN320-14	18	10				AN4-13A	70-14	8
			AN320-20	156-13	1				AN4-14	12-33	73
			AN320-3	6	21				AN4-14A	147-94	16
			AN320-4	20	57				AN4-15	74-13	2
			AN320-5	2	33				AN4-16	2-37	9
			AN320-6	13	72				AN4-16A	106	38
			AN320-7	167	16				AN4-17	58-40	1
			AN320-8	103-23	5				AN4-17A	145-4	2
			AN320D4	86-12	1				AN4-20	42-15	9
			AN3200-2	45-8	4				AN4-20A	63-3	25
			AN3202-1	109-31	1				AN4-21	174-26	37
			AN3210-1	45-30	7				AN4-21A	80-32	12
			AN33-71-1	111-41	1				AN4-22	68-51	18
			AN34-50	165-13	2				AN4-22A	13-37	7
			AN34-54	165-11	6				AN4-23A	13-23	2
			AN34-56	165-12	2				AN4-24	2-33	22
			AN34-62	165	2				AN4-25	147-42	38
			AN34-82	166-56	2				AN4-26	56-17	2
			AN355-6	180-13	36				AN4-33A	56	1
			AN355-7	180-18	36				AN4-35	181-16	46
			AN36-25	18-5	2				AN4-36A	92-41	4
			AN36-27	18-6	4				AN4-42A	163-14	4
			AN36-28	18-7	2				AN4-43A	163-15	2
			AN364-1032	6	75				AN4-44	90-17	1
			AN364-428	12	27				AN4-5A	118-26	36
			AN364-524	12	36				AN4-6A	80-33	15
			AN364-624	58	20				AN4-7A	7-5	27
			AN365-1032	6	1436				AN4C12A	17-9	16
			AN365-428	2	305				AN4H4	166	8
			AN365-524	3	46				AN4H5A	65-14	36
			AN365-624	6	10				AN4097-1	185-6	1
			AN365-632	70	17				AN4098-1	69-55	2
			AN365-820	68-61	11				AN4101-1	177-6	4
			AN365-832	41-30	20				AN415-4	168	2
			AN365D428	3	65				AN42-4	157-3	1
			AN365D624	3	92				AN42-7A	44	1
			AN366F428	13	2				AN486-3	116-35	1
			AN386-1-10	97-28	32				AN486-4	73-26	5
			AN386-1-12	19-12	1				AN5-10A	80-5	13
			AN386-1-12A	63-6	1				AN5-11A	2-15	96
			AN386-1-13A	62-2	2				AN5-13A	58-31	2
			AN386-1-6	94-18	8				AN5-14	12-32	8
			AN386-1-6A	6-29	9				AN5-14A	123-13	22
			AN386-1-7	6-39	45				AN5-15	2-34	20
			AN386-1-7A	97-20	2				AN5-16A	123-14	2
			AN386-1-8A	19-36	47				AN5-37	179-16	36
			AN386-1-8A	36-33	8				AN500-10-10	145-11	11
			AN386-1-9	19-3	4				AN500-10-20	150	4
			AN386-10-29	2-8	4				AN500-10-5	146	4
			AN386-10A30	2-9	4				AN500-10R8	146	8
			AN386-2-10	91-18	4				AN500-8-4	155	10
			AN386-2-12	6-34	1				AN500A10-6	155	16
			AN386-2-9	19-4	4				AN500A10-7	155	4
			AN386-3-18	91-39	4				AN500A416-8	170-25	8
			AN386-4-9A	58-5	4				AN500C10-4	55-30	2
			AN386-5-17A	58-6	4				AN501-10-6	168-40	18
			AN386-5-23A	58-2	16				AN501A616-20	170-18	2
			AN386-5-24A	2-23	4				AN502-10-12	7-28	8
			AN386-5-27A	2-24	4				AN502-416-4	155	30
			AN386-6-14A	2-25	16				AN502-416-6	102-3	4
			AN386-7-27	172-19	4				AN502-416-8	102-43	8
			AN386-8-25	2-4	4				AN503-516-24	170-19	12
			AN386-8-31	2-5	2				AN504-8R8	65-13	31
			AN386-9-31	2-6	4				AN505-10-6	67-19	2
			AN386-9-32	2-7	6				AN505-4R7	5	6
			AN392-25	155-33	10						
			AN393-11	82-21	2						

U. S. Army	U. S. Navy	British	Part Number	Figure & Index No.	Total Qty.	U. S. Army	U. S. Navy	British	Part Number	Figure & Index No.	Total Qty.
			AN505-416-6	155	2				AN5530-2	109-15	2
			AN505-6-18	79-18	2				AN565A8-4	7-26	1
			AN505-6-6	70-18	4				AN565B10-4	154	19
			AN505-6-8	70-12	2				AN565D10-6	174-29	6
			AN505-6R10	82-42	4				AN565D8-3	171-29	1
			AN505-6R12	73	4				AN565D8-4	167-37	7
			AN505-6R14	81-9	2				AN5752-1	108-51	1
			AN505-6R8	66-5	5				AN5754-1	44-27	1
			AN505-8-6	13-29	2				AN5754-2	44	1
			AN505-8R6	13-10	2				AN5756-1	108-52	1
			AN505-8R8	106-42	4				AN5756-2	109-20	2
			AN505-6-8	70-30	6				AN5760-2	109-14	2
			AN510-10-10	77-14	8				AN5770-2	108-22	2
			AN510-10-20	56-9	1				AN5771-3A	108	1
			AN510-10R10	3-13	47				AN5771-4A	109-34	2
			AN510-10R20	56	1				AN5771-5A	109-13	2
			AN510-10R28	73-8	2				AN5772-1	109-12	2
			AN510-10R6	78-12	2				AN5772-2	109-22	1
			AN510-10R8	5-9	654				AN5820-2	107-44	1
			AN510-416R16	66-11	2				AN5822-1	109-23	1
			AN510R44	85-16	4				AN5825-2	109-35	1
			AN515-10R4	150	2				AN5831-1	2-16	96
			AN515-6-7	3	12				AN6-12A	145-2	4
			AN515-6R20	106	4				AN6-13A	164-26	2
			AN515-6R6	171-16	1				AN6-21A	164-25	2
			AN515-8-20	69-35	6				AN6-22A	164-24	8
			AN515-8-24	69-27	2				AN6-32A	6-12	2
			AN515-8-8	147-68	1				AN6-41A	18-17	12
			AN515-8R10	36-35	6				AN6C10	18-15	26
			AN515-8R20	69-48	6				AN6C11	14-22	4
			AN520-10-10	82-13	2				AN6H10	14-17	8
			AN520-10-20	56-8	4				AN6H11	133-2	2
			AN520-10-40	56-6	2				AN6003-4	133-1	11
			AN520-10-7	82-14	2				AN6003-6	133-3	14
			AN520-10-8	106	4				AN6004-1	134-1	10
			AN520-10R10	106	28				AN6020-1	133-11	7
			AN520-10R12	82-7	22				AN6021-1A	109-37	10
			AN520-10R14	57-38	7				AN6029-1	134-3	11
			AN520-10R24	57-37	3				AN6041-1	114	2
			AN520-10R32	38-20	6				AN6100-1	138-31	2
			AN520-10R36	34-23	16				AN6101-1	166-37	2
			AN520-10R4	81-14	18				AN6221-8	166-38	2
			AN520-10R6	106	10				AN6222-8	166-39	2
			AN520-10R7	36-11	50				AN6224-8	55-17	2
			AN520-10R8	34-24	68				AN6225-3	173-16	4
			AN520-1032-32	38-15	4				AN6227-11	93-21	8
			AN520-416R16	36-36	2				AN6227-14	126-6	1
			AN525-632R6	70-37	2				AN6227-18	126-5	1
			AN526-1032-24	152-29	4				AN6227-32	170-5	2
			AN526-1032R8	78-42	2				AN6227-49	123-8	4
			AN526-1032R10	4	426				AN6228-49	173-17	1
			AN526-1032R14	81	4				AN6229-3	55-18	1
			AN526-1032R16	78-49	8				AN6230-6	55-24	1
			AN526-1032R28	64-41	2				AN6260-4-12	108	1
			AN526-1032R4	66-23	6				AN6260-8D45	166-15	2
			AN526-1032R5	81	8				AN6260-8D45 1-2	166	2
			AN526-1032R7	68-18	24				AN6261-8D22	166-16	2
			AN526-632R16	171-15	2				AN665-21L	25	12
			AN526-632R4	79-5	2				AN665-21R	25	16
			AN526-632R6	70-19	2				AN665-34L	25	8
			AN526-832R18	64-48	4				AN665-34R	25	8
			AN530-10R10	65-33	187				AN665-46L	106-13	8
			AN530-10R12	65-21	49				AN665-46R	106-14	8
			AN530-10R6	67-1	104				AN669L3LH	62-11	1
			AN530-10R8	76-2	53				AN669L3RH	62-14	4
			AN530-4R6	64-54	6				AN7-53	179-12	72
			AN530-6R6	64-49	12				AN7C10	18-21	14
			AN530-8R10	65-15	30				AN7006-1	73-51	1
			AN530-8R12	65-34	16				AN703-1350	25	8
			AN531-10R10	78-48	2				AN703-1500	25	8
			AN531-6R10	66-26	2				AN703-1900	25	2
			AN531-8R24	66-21	4				AN703-2150	25	2
			AN531-8R8	3	8				AN704-1500	25	14
			AN535-14-8	165	4				AN704-1575	25	2
			AN550-10R7	79-17	4				AN705-17	106-15	4
			AN550-6R6	70-52	2				AN705-2175	106-18	2
			AN5525-1	108-28	1				AN705-2525	106-20	2
			AN5525-2	26-21	4						

Section III
Numerical Parts List

T.O. 1B-17G-4

U. S. Army	U. S. Navy	British	Part Number	Figure & Index No.	Total Qty.	U. S. Army	U. S. Navy	British	Part Number	Figure & Index No.	Total Qty.
			AN741-18P	20-8	10				AN960A10L	78	24
			AN748-30	106	4				AN960A2616	166-25	8
			AN748-56	106	4				AN960A616L	78	4
			AN7501	83-23	2				AN960B2616	166-24	8
			AN7502-55	166-59	2				AN960B8	64-17	5
			AN7503-2	172-35	1				AN960C10L	85-14	2
			AN7503-3	172-18	1				AN960D10	5	284
			AN771-2	23-24	4				AN960D10L	5	126
			AN776-8D	166-34	2				AN960D16	76-29	28
			AN778-8D	166-35	2				AN960D416	5	52
			AN8DD13	172-33	1				AN960D416L	77-29	8
			AN8-20	58-35	1				AN960D616	75	60
			AN8004-1	82-34	6				AN960D816	101-53	1
			AN8005-1	82-31	6				AN970-4	29-13	12
			AN8008-27	131	1				AN975-3	6	86
			AN8008-3	108	4				AN975-5	58	4
			AN8009-1	123-17	4				AN975-6	58	20
			AN812-1	123-16	4				AOS1-505	168-7	2
			AN813-1	123-18	4				AOS1-1031	167-50	2
			AN822-8	170-23	2				AOS1040	166-53	2
			AN840-16	23-11	6				AS27ARN5	128	1
			AN840-21	199	2				ATS	153-16	3
			AN840-4	28-19	9					153-21	
			AN842-10	38-8	4				AX5	161-16	42
			AN842-16	23-4	19					162-23	
			AN842-21	30-12	6					36-23	2
			AN842-4	28-15	20					45-36	
			AN844-16	23-5	9				A10028	124-6	1
			AN844-21	30-13	4				A10039	124-27	1
			AN844-4	43	4				A101-1	157-21	2
			AN846-16	177	1				A12199	86-22	6
			AN855A2A	107-15	8				A12202	86-19	1
			AN878-16-26	21-26	3				A12203	86-20	2
			AN878-16-44	21-9	5				A12204	86-17	1
			AN878-16-54	21	2				A12206	86-18	1
			AN878-4-118	26-53	2				A12493	86-7	1
			AN878-4-122	27-52	2				A12494	86-9	1
			AN878-4-136	190	1				A12835	86-2	1
			AN878-4-146	26-51	3				A12978	86-3	1
			AN878-4-24	188-10	3				A1317-1	154	1
			AN878-8-10	191	1				A13512	86-11	1
			AN878-8-25	26	1				A13513	86-13	1
			AN878-8-28	26	1				A13516	86-5	1
			AN884-10-72	24-54	2				A14234	86-16	2
			AN884-10-80	24-51	2				A14578	86-24	4
			AN884-10-84	24-49	2				A14623	86-4	3
			AN884-4-32	43-16	4				A14765	85-4	1
			AN884-6-84	107-12	1				A14771	85-10	2
			AN884-8-14	106	2				A14773	85-11	2
			AN900-16	23-22	4				A15112	86-10	1
			AN900-40	38-5	4				A1512-2	184-2	1
			AN900-41	28-9	9				A1521	172	2
			AN900-6	19-39	18				A15274	86-6	1
			AN901-5C	123-15	4				A15419	86	1
			AN902-10	170-3	4				A15502	86-23	2
			AN902-20	170-11	2				A16055	85	2
			AN905-6	156-18	2				A207D4	56	4
			AN906-16	106	2				A219-85A	91-10	2
			AN906D6	79-20	2				A303-8A	124-5	1
			AN911-8	30-10	2				A313-3	161-20	4
			AN913-1S	168-11	2					162-27	
			AN913-2	170-21	2				A4050	154-41	4
			AN914-6	106-45	2				A4138	68-31	4
			AN916-8	30-11	2					69-11	
			AN924-16	177	1				A449-1	157-5	2
			AN924-8D	166-36	2					157-10	
			AN935-8L	36	2				A50	145-12	2
			AN936A10	67	2				A507-4	36-5	8
			AN936A8	65	31				A542	154	1
			AN936B10	94-3	1				A546	91	4
			AN936B16	65-40	2				A8048	124-20	1
			AN960-10	6	146				A8093	124-17	1
			AN960-10L	25	49				A8096	124-8	1
			AN960-1416	18	10				A8097	124-10	1
			AN960-2116L	177	2				A8098	124-7	1
			AN960-416	2	206				A8102	124-14	1
			AN960-416L	145	2				A8103	124-12	1
			AN960-516	3	111				A8110	124-15	1
			AN960-616	14	95						
			AN960-716	179-14	72						
			AN960-816	58	14						

U. S. Army	U. S. Navy	British	Part Number	Figure & Index No.	Total Qty.	U. S. Army	U. S. Navy	British	Part Number	Figure & Index No.	Total Qty.
			A8113	124-3	1				BAC1605-60	13-18	10
			A8114	124	1				BAC1606-105	18-26	22
			A8115	124-18	1				BAC1606-38	141-29	4
			A8116	124-19	1				BAC1606-8	164-27	4
			A855KX	21-44	4				BAC1606-95	18-31	22
				105-23					BAC1607-105	18-25	8
				198-1					BAC1607-95	18-30	8
			A855NX	21	4				BAC1608-119	143-67	1
				105					BAC1608-135	108-34	1
				198					BAC1608-17	144-4	1
			A855RX	21-49	6				BAC1608-21	143-19	2
				22-20					BAC1608-34	94-13	1
				105-24					BAC1608-40	103-3	1
				198					BAC1608-41	41-13	2
			BAC1001-12	103-5	1				BAC1608-44	108-31	1
			BAC1001-18	90-14	2				BAC1608-57	143-64	1
			BAC1001-27	94-20	2				BAC1608-8	41-8	2
			BAC1001-29	102-25	2				BAC1804-16-6R	80-8	1
			BAC1001-6	94-16	1				BAC1804-21-3R	80-7	1
			BAC1002-10	156-34	2				BAC1807-108-OL	143	1
			BAC1002-20	45	2				BAC1807-120-OL	143-37	1
			BAC1002-6	144-8	1				BAC1807-49-3R	143-32	1
			BAC1002-8	19-33	12				BAC1807-58-OR	143-33	1
			BAC1099-10B	91-19	2				BAC1824-206-203	80-20	1
			BAC1099-1032DD	175	1				BAC1824-206-248	20-19	1
			BAC1448-10-14	70-3	36				BAC1824-307-1060	39-46	1
			BAC1448-8-8	70-8	8				BAC1824-307-1070	40-18	1
			BAC1457-10-205	64-20	29				BAC1824-307-1166	39-47	1
			BAC1470-10-10S	5-17	4				BAC1824-307-1878	39-25	1
			BAC1470-10-8S	5-4	152				BAC1824-307-1880	40-39	1
			BAC1470-428-28S	77-31	2				BAC1824-307-1956	39-26	1
			BAC1470-428-7D	70-41	8				BAC1824-307-1978	40-38	1
			BAC1554-51-27	163-8	24				BAC1824-320-2751	63-7	1
			BAC1554-51-30	163-21	4				BAC1824-607-1081	91-24	1
			BAC1554-51-33	81	6				BAC1824-607-901	91-25	1
			BAC1554-63-27	163-11	15				BAC1824-610-1039	91-22	1
			BAC1554-63-30	163-37	4				BAC1824-610-837	91-23	1
			BAC1555-3	163-59	2				BAC1831-13	63	1
			BAC1555-5	163-58	28				BAC1833G106-255	57-9	2
			BAC1601-19	157-20	1				BAC1833G388-766	57-6	1
			BAC1603-10	143-12	2				BAC1833G548-940	57-7	1
			BAC1603-112	56-7	2				BAC1833J106-256	57-10	2
			BAC1603-133	6-19	2				BAC1833J230-463	57-8	1
			BAC1603-136	6-20	4				BAC1833J74-194	57-5	1
			BAC1603-137	6-21	2				BAC1834-307-1185	40-19	1
			BAC1603-14	76-15	3				BAC1851-16	19	27
			BAC1603-19	76-10	4				BAC1861-2-47	186-3	1
			BAC1603-20	163-72	4				BAC1861-2-55	187-3	2
			BAC1603-24	163-23	2				BAC1861-2-72	187-4	1
			BAC1603-30	57-35	3				BAC1861-2-73	185	1
			BAC1603-32	56-10	6				BAC1851-23-75	186	2
			BAC1603-35	153-24	2				BAC1861-23-78	187-6	2
			BAC1603-45	153-30	2				BAC1861-23-80	37-3	2
			BAC1603-64	57-24	6				BAC1861-23-F2	37	1
			BAC1603-65	57-50	2				BAC1861-23-83	187-8	1
			BAC1603-68	157-29	1				BAC1861-23-97	185	1
			BAC1603-69	57-34	1				BAC1861-24-100	186-5	4
			BAC1603-72	158-33	2				BAC1861-24-120	37	1
			BAC1603-8	67-22	6				BAC1861-24-124	185	1
			BAC1603-84	144-16	2				BAC1851-24-126	187-7	2
			BAC1603-85	153-26	2				BAC1861-24-130	186-2	2
			BAC1603-86	158-31	2				BAC1861-24-136	187-2	2
			BAC1603-91	14-8	12				BAC1861-24-148	185	1
			BAC1603-94	153-28	2				BAC1861-24-150	186-7	1
			BAC1603-96	14-10	10				BAC1861-24-170	37-4	2
			BAC1604-108	3-36	4				BAC1861-24-179	187-5	4
			BAC1604-12	90-5	1				BAC1861-24-289	185-4	1
			BAC1604-140	3-21	8				BAC1861-24-291	186-8	1
			BAC1604-31	68-50	2				BAC1861-24-315	187	1
			BAC1604-34	68-49	2				BAC1861-24-326	187	1
			BAC1604-38	41-19	3				BAC1861-4-119	101	1
			BAC1604-48	41-20	1				BAC1861-4-180	101	1
			BAC1604-50	42-18	1				BAC1907-2	66-6	3
			BAC1604-60	13-21	8				BAC1908-31AL	28-10	8
			BAC1604-68	147	3				BAC1908-43AL	64-25	32
			BAC1604-8	163-57	4				BAC1908-55K	64-23	32
			BAC1605-36	13-56	6				BAC1908-63AL	4	47
			BAC1605-56	76-27	8				BAC1908-64K	64-24	32

Section III
Numerical Parts List

AN 01-20EG-4

U. S. Army	U. S. Navy	British	Part Number	Figure & Index No.	Total Qty.	U. S. Army	U. S. Navy	British	Part Number	Figure & Index No.	Total Qty.
			BAC1909-13	163-20	6					130-53	
			BAC1909-3	163-7	32					131-33	
			BAC1909-4	163-44	87				BK22	129-3	1
			BAC221-10-54	10-4	18				BS44	175-25	1
			BAC221-12-55	10-5	16				BZ-RQ41	157	2
			BAC272S54-13	58-41	2				B10017	124-22	1
			BAC274CS4-104	158-21	1				B10029	124	1
			BAC274S3-30	56-5	8				B10030	124-21	1
			BAC274S3-9	92-37	2				B10031	124-2	1
			BAC285-32S	75-4	1				B12180	85-17	2
			BAC326-15S	92-40	4				B12496	86-15	1
			BAC326-17S	77-28	6				B14091	85-13	2
			BAC326-18S	182-14	16				B14555	88-14	1
			BAC326-34S	92-35	4				B14767	85-7	2
			BAC326-64S	77-32	2				B15418	86-8	1
			BAC340-4-197	78	1				B15468	86	2
			BAC340-8-970	57-29	4				B16010	85-12	2
			BAC344-4-439	73	2				B16054	85	2
			BAC344-5-253	12	40				B2-1741-1	136-43	1
			BAC364-17S	76-5	2					137-1	
			BAC366-18S	182-13	8					306-2	
			BAC366-21ST	182-51	56				B25	66-4	1
			BAC540-10	106	4				B50088	85-9	2
			BAC543-12-16	151-7	8				B55	56	46
			BAC569-20HF	184-3	3					161	
			BC1033	130	1					162	
			BC1368	132	11				B8092	124-13	1
				132-58					CA275X	45-7	14
			BC306	130-38	1					46-16	
			BC347	130-18	1					85-18	
			BC348	130-13	1					111-50	
			BC357	130-56	1					113-11	
			BC366	132	12					113-23	
				132-2						114-23	
				132-14						116-12	
				132-20						130-17	
				132-28						138-30	
				132-42					CD508	132-17	3
				132-44						132-25	
				132-65						132-46	
			BC4W10	41-18	8					108-47	1
				42-17						130-47	1
				75						130-23	1
				75-5						129	2
				161						C6363-2-20A	1
				162						DL445	1
			BC433	129-7	1					201-2	
			BC434	129-10	1					130-8	3
			BC434A	129-1	1					DM33A	2
			BC442A	130-9	1					130-12	
			BC450A	129-12	1					130-25	
			BC451A	129-11	1					DM53	1
			BC453A	130-5	1					DS6351	2
			BC454A	130-6	1					DS6355	2
			BC455A	130-7	1					DS6356	4
			BC456A	130-24	1					DS6357	4
			BC456E	130-11	1					DS6764	1
			BC458A	130-3	1					DS6769	1
			BC459A	130-4	1					D10231	1
			BC602B	129	1					121-46	
			BC624	130-46	1					124-1	
			BC625	130-45	1					199-1	
			BC645A	131-22	1					85-3	1
			BC646A	131-1	1					86-1	
			BC648A	131-29	1					D12201	1
			BC706A	131-28	1					D12364	1
			BC727	131-23	2					110-31	
				131-34						45-13	2
			BC732A	135-11	1					D129712-1	
			BC733	131	1					D14770	1
			BC765	118	2					D14776	1
				131						D15897	1
			BC767	130-51	2					D15898	1
				130-55						EA15-10	2
			BC927	131-6	1					25-43	
			BC958A	131-32	1					44-36	
			BC965A	131-31	1					198-7	
			BC966A	130-50	3					25-44	2
										44-37	
										198-8	
										25-45	2
										44-38	

T. O. 1B-17G-4

Section III
Numerical Parts List

U. S Army	U. S Navy	British	Part Number	Figure & Index No.	Total Qty.	U. S Army	U. S Navy	British	Part Number	Figure & Index No.	Total Qty.
			EA15W	198-9 25 44 198	6				F20601	217-8 214 215-9 216-9	4
			EA47-2C	109-8	1				F20701	217-9 214-5 215-10 216-10 217-10	4
			ESS-2	166	2						
			E120386	136-71 206-6	1				F20801	214-1	1
			FC163-10-1	50-2 201-6	1				F20802	214 215-11 216-11 217-11	4
			FC163-10-2	50	1						
			FC163-4-1	201-7 50-1	1				F20803	214 217-12	2
			FC163-4-2	201-4 50	1				F20900	210-1 215-12 216-13 217-13	7
			FC163-8-1	201-5 58-42 61-1	4						
			FC163-9-1	201-8 58-43 61-9	2				F21001	117-7 216-14 217-14	5
			FLLF	45-24	4				F21002	117 216-15 217-15	5
			FLLH	45-10	4				F21003	117 216-16 217-16	5
			FL8	132-10	2				F21004	117 216-17 217-17	5
			FSH	45-11 45-25	4				F21005	117 216-18 217-18	5
			FT107	131	1				F21006	117 216-19 217-19	5
			FT213	129	1				F21126	211-3 215-13 216-20 217-20	4
			FT222A	129	1				F21200	117-9 216-21 217-21	3
			FT228	129	1				F21300	214-2	1
			FT247	131	1				F21400	210-3 217-52	2
			FT248A	131	1				F21500	210-4 217-53	2
			FT251A	131	1				F21601	117-3 216-22 217-22	3
			FT255A	131	1				F21602	117 216-23 217-23	3
			FT256A	131	1				F21603	117 216-24 217-24	3
			FT292	131-12	1				F21701	117-4 216-25 217-25	3
			FT293	131	1				F21702	117 216-26 217-26	3
			FT345A	131	1				F21801	117-5 216-27 217-27	3
			FT446	131	1				F21802	117 216-28 217-28	3
			F10000	209-3	1				F21901	211-1 215-14 216-29 217-29	4
			F10100	209-2	1				F21902	211 215-15	4
			F10200	207-2	1						
			F10300	208-3	1						
			F10400	207-2	1						
			F10500	208-2	1						
			F10700	207-1	1						
			F10800	209-1	1						
			F10900	208-1	1						
			F11000	208-4	1						
			F20000	213-3	1						
			F20001	213-2	1						
			F20003	213-5	1						
			F20200	214-3 215-2 216-2 217-2	4						
			F20301	211-6 215-3 216-3 217-3	4						
			F20410	211-2 215-4 216-4 217-4	4						
			F20411	211 215-5 216-5 217-5	4						
			F20412	211 215-6 216-6 217-6	4						
			F20413	211 215-7 216-7 217-7	4						
			F20510	211-4 215-8 216-8	4						

Section III
Numerical Parts List

AN 01-20EG-4

U. S. Army	U. S. Navy	British	Part Number	Figure & Index No.	Total Qty.	U. S. Army	U. S. Navy	British	Part Number	Figure & Index No.	Total Qty.
				216-30						216-42	
				217-30						217-42	
			F21903	211	4				F23703	213	4
				215-16						215-27	
				216-31						216-43	
			F21904	217-31	4				F23704	217-43	4
				211						213	
				215-17						215-28	
			F21905	216-32	4				F23705	216-44	4
				217-32						217-44	
				211						213	
				215-18						215-29	
				216-33						216-45	
			F21906	217-33	4				F23706	217-45	4
				211						213	
				215-19						215-30	
				216-34						216-46	
			F21907	217-34	4				F23707	217-46	4
				211						213	
				215-20						215-31	
				216-35						216-47	
				217-35						217-47	
			F21908	211-5	4				F23708	213	1
				215-21					F23709	213	4
				216-36						215-32	
				217-36						216-48	
			F21914	211	4					217-48	
				215-22					F23710	213	1
				216-22					F23711	213	4
				217-22						215-33	
			F22101	213-4	4					216-49	
				215-23					F23712	213	1
				216-37						217-49	
				216-38					F23713	213	1
				217-37					F23714	213	1
				217-38					F23715	213	4
			F22101	213-4	4					215-34	
				215-23						216-50	
				216-38						217-50	
				217-38					F23800	215	1
			F22102	213	4				F23801	215-1	1
				215-24					F23900	216	1
				216-39					F23901	216-1	1
				217-39					F24000	217	1
			F22200	210-2	1				F24001	217-1	1
			F22600	210-5	3				F609-3	36-15	4
				216-40					F61800	213-6	2
				217-40						217-51	
			F22700	117-6	1				G-R	171-14	1
			F22800	117-8	1				G1028A6CA1	98	4
			F23001	117-1	1					98-10	
			F23002	117	1				G10340	112-12	1
			F23003	117	1					122-50	
			F23004	117	1					200-1	
			F23005	117	1				G1057A3CA1	43-10	4
			F23006	117	1					43-22	
			F23007	117	1				G1057A4CA1	43	4
			F23105	117-2	1				G1060A1CA1	119	6
			F23106	117	1					119-22	
			F23108	117	1					119-26	
			F23109	117	1				G1065A	43-24	2
			F23110	117	1				G1065A1CA1	43-1	2
			F23501	214-4	1				G1066A1CA1	119-27	1
			F23502	214	1				G1075A2	43-12	4
			F23503	214	1					43-23	
			F23504	214	1				G1080A3	118-24	2
			F23505	214	1				G1081B1	118-29	1
			F23506	214	1				G1235A1CA1	118-27	1
			F23507	214	1				G1235B1CA1	118	1
			F23508	214	1				G16A2CA1	43-15	4
			F23509	214	1					43-25	
			F23510	214	1				G3-217A	172-5	1
			F23701	213-1	4				G303A-Y2CA1	43-2	4
				215-25						43-17	
				216-41						119-23	
				217-41					G403A	119	7
			F23702	213	4				G403A1CA1	119-19	
				215-26						119-20	

U. S. Army	U. S. Navy	British	Part Number	Figure & Index No.	Total Qty.	U. S. Army	U. S. Navy	British	Part Number	Figure & Index No.	Total Qty.
			HS33	119-25	9					149-9	
			H2-258-1	132-63	2					150-1	
			H2-259-1	166-48	2					150-31	
			H3-101M	166-49	2					151-1	
			IE678	166-57	2				M299	130-21	1
				121-66	1				M361	81-7	4
				126-1					M441M2	30-1	4
				199-4						45-37	
			IN79	127-39	3					198-6	
				128-19					M451	161	42
			IN88	127-34	4					162	
				127-42					NAS2-301	181-14	14
			JH1197	185-2	1				NAS221-11	76-8	4
			JH1271	185-4	1				NAS221-14	67-20	10
			JH3R	177-5	4					76-9	
				185-14						166-60	
			J1246-3	176-15	4				NAS221-16	78-21	4
			J37	130-14	1				NAS221-28	66-31	2
			K1400B5-1	28-19	2				NAS221-8	3-12	304
			LLB50-34	146	1					36-34	
			LLB50-46	146	4					78-8	
				147					NAS222DD9	70-4	28
				149						70-23	
			LLB50-63	151	2					70-54	
			LLB50-68	146	1				NAS224-13	73-41	2
			LLB50-76	150	1				NAS43C4-232	29-11	8
			LLB50-80	146	2				NAS43C6-32	29-12	8
				150					NAS51-37	147-48	6
			LLB50-91	146	1				NAS53-7-5	7-29	2
			LLB50G1	146	8				NAS53-10	7-30	2
				147					NAS52-23A	15-17	4
				149					NAS53-56A	15-18	4
				150					NAS53A10	78-15	4
				151					NAS53A10-5S	7-23	1
			LLB50M3	146	8				NAS53A11-5	58-31	2
				147					NAS53A23-5	14-9	2
				149					NAS53A27-5	79-31	2
				150					NAS53A34-5	6-18	2
				151					NAS53A7	78-26	4
			LN2	113	1				NAS53S22A	15-16	4
			LP21AM	127-52	1				NAS54-11	63-14	2
			L20678-502	127-7	2					96-18	
				127-10					NAS54-115	62-18	1
			L20699-502	127-11	1				NAS54-22-5	13-35	22
			MC124-112	129-6	1					15-25	
			MC124-30	129-4	1				NAS54-22A	13-19	2
			MC124-97	129-9	1				NAS54-23-5A	13-20	14
			MC163	127	1				NAS54-34	10-17	8
			MC203	129-5	1				NAS54-7-5	96-15	1
			MC215-105	127	1				NAS54A10	14-23	8
			MC215-127	127-4	1				NAS54A10-5DD	5-14	16
			MC215-214	129-16	1				NAS54A13	155-38	2
			MC215-221	129-17	1				NAS54A13-5DD	5-15	4
			MC215-228	129-18	1				NAS54A21S	2-39	8
			MC385	132-7	13				NAS54A22	80-23	1
				132-16					NAS54A24DD	12-22	28
				132-23						12-26	
				132-29					NAS54A26	83-21	1
				132-36					NAS54A26-5	3-43	6
				132-43					NAS54A27	3-26	14
				132-50						3-44	
				132-55					NAS54A27-5	3-28	8
				132-57					NAS54A27-5DD	3-39	8
				132-60					NAS54A27DD	3-23	4
				132-69					NAS54A32-5	10-18	16
			MC432A	128-9	1					10-35	
			MC461	127-3	1				NAS54A34	10-34	11
			MT28ARN5	131	1					169-59	
			M19336	157-6	1				NAS54A35	169-60	1
			M2	113-22	21				NAS54A5-5	14-25	16
				115-29					NAS54A6-5	3-24	8
				145-8					NAS54A7	3-22	56
				146-1						3-38	
				147-56						14-24	
				148-5					NAS54A7-5DD	5-13	4
									NAS55-23-5A	13-16	2

Section III
Numerical Parts List

T. O. 1B-17G-4

U. S. Army	U. S. Navy	British	Part Number	Figure & Index No.	Total Qty.	U. S. Army	U. S. Navy	British	Part Number	Figure & Index No.	Total Qty.
			NAS55-24-5A	13-17	10				RG4430-2	105-6	1
			NAS55-32-5A	75-22	4					113-27	
			NAS55-33-5A	75-20	24					198-13	
			NAS55-33-5DD	10-16	8				RL15-1	179-19	36
			NAS55A10	14-27	4				RL15-10	179-7	72
			NAS55A11	14-26	14				RL15-12	179-13	36
			NAS55A13	58-32	2				RL15-13	179-17	72
			NAS55A22	3-6	8				RL15-2	179-10	4
			NAS55A32-5DD	10-15	32				RL15-21	179-8	72
				10-33					RL15-22	179-18	72
			NAS55S22-5	13-34	2				RL15-3	179-11	12
			NAS55S23-5A	13-33	2				RL15-4	179-2	36
			NAS55S25-5A	80-3	2				RL15-5	179-5	72
			NAS56-32	18-28	22				RL15-9	179-6	72
			NAS56-37	18-23	22				RL15SA3	179	36
			NAS56-50-5	179-3	72				RL42A	127-2	1
				180-9					RS2	110-11	4
			NAS56A27-5DD	3-27	22				RWP7	110-29	
				3-45					R1125A	108	1
			NAS56A30DD	3-29	22				R1335	131-15	1
				3-46					R1820-97	131-7	1
			NAS56A31	149-6	2				R3082	177-1	4
			NAS56A34	10-13	8				R3090	111-26	1
				10-20					R400-41	128-11	1
				10-27					R400-42	126	1
			NAS56A36	10-2	4				R400-43	126	1
				10-8					R400-71	126-28	1
			NAS56A40-5	10-28	2				R400-72	126	1
									R400B21	126-24	1
			NAS56DD33A	75	8				R47ARN5	131-25	1
			NAS56DD34A	75-14	12				R5ARN7	129	1
			NAS57-30-5	18-29	4				R89ARN5A	131-26	1
			NAS57-32-5	18-27	4				SA3A	131	1
			NAS57-34-5	18-22	4				SCA419	127-38	4
			NAS57-37-5	18-24	4					127-50	
			NAS57A40	10-22	2				SCR211AA	130-43	1
			NAS57A41-5	10-21	2				SCR578	130-35	1
			NAS57S435	151-4	2				SKE11779	98-5	1
			NAS58A35-5	10-6	8				SP2475	148-1	1
				10-12					SP4720	148	1
				10-25					SW181	131-2	1
				10-31					SW223	127	1
			NAS60-43-5	172-21	2				SW225	127	1
			NAS60A43	10-9	2				SO158A	131-30	1
			NAS62-44-5	10-3	2				S10FT	156	3
			NAS75-3-028	64-42	2				S10K	154	8
				76-58						156	
			NAS75-4-009	182-29	8					169-10	
				182-32					S12FT	169-38	4
			NAS75-4-011	182	56					154-33	
			NC28-24V	110	2				S12K	156-5	3
			N1607	166-33	4				S8K	156	2
			PE101A	131-24	1				TFD12000	23-27	4
			PE206	131-36	1					44-33	
			PE73B	130-49	1				TLS26	198-4	
			PE86	130-16	1				TU26B	116-17	1
			PE94C	130-54	1				TU5B	130-41	1
			PI1A1	98	1				TU6B	130-26	1
			PK84XA48-10	66-9	1				TU7B	130-27	1
			PL176	128	2				T30	130-28	1
			PI01	70	5					132-6	15
				79-6						132-11	
				79-21						132-19	
			PI01-447	66-7	1					132-24	
			R-RS	172-12	1					132-34	
			RD4550	54-41	1					132-41	
				177-7						132-45	
				203-5						132-53	
			REB3N	109	9					132-62	
				164-13						132-66	
			RE3ML6-2N	182-5	68				T46914	111-17	1
				182-42					UB1	73	2
			RE3M6-2N	43	76					78-32	
				182-6							
				182-43							
			RE3M63	39-42	3						
				40-36							

U. S. Army	U. S. Navy	British	Part Number	Figure & Index No.	Total Qty.	U. S. Army	U. S. Navy	British	Part Number	Figure & Index No.	Total Qty.
			UC1070	30	4				1-16755	91-33	4
				45					1-16964	75-3	1
				198					1-17014	147-31	2
			U19ARN	131-27	1				1-17235	184-10	2
			U4216-1	106	2					185-12	
			U4218-1	106-40	2				1-17244	114-10	2
			VJR24B5	45-35	4					115-10	
			WW8456556	33	6				1-17357	12	1
				34					1-17357-1	12-11	1
			WZ-RQ41	157-12	2				1-17389	91-29	4
			WZR31	113-24	1				1-17461	18-8	4
				155-35					1-17507	73-28	2
			WZE - 7RNTN	166	2				1-17551	81-29	1
			YZR31	113-21	1				1-17552	106	4
			038244	82-32	2					106-9	
			066424	45-15	3				1-17553	106-34	4
				148-8					1-17554	106	4
			066650	106-49	2					106-10	
			066654	108	2				1-17555	106-33	8
				136-31					1-17565-1	115	NP
			070618	78	3				1-17568	37-2	2
				82-4					1-17579	182-44	56
			07087	155-12	5				1-17579-4	182	56
			07100	168-5	4				1-17588	33-18	4
			07196	68-30	8					37-15	
				69-10					1-17588-3	34-18	4
				168-6						37-13	
			074272	83-24	2				1-17588-4	42-14	1
				84-21					1-17588-5	41-9	2
			074837-1	109-32	1					42-9	
			074837-2	109	1				1-17633	127	NP
			0956	116-19	1				1-17633-1	127	NP
			1-12713-1	24 - 21	4				1-17633-3	127	NP
			1-128966	21-46	4				1-17633-4	127	NP
			1-128969	21-45	4				1-17633-5	127	NP
			1-12946-1	127	5				1-17633-6	127	NP
				127-51					1-17640	73-4	1
			1-12965	28-13	9				1-17847	161	38
				38-4						161-5	
				123						162	
									1-17847-1	162-4	
										161	38
										161-4	
			1-14068	106	4					162	
			1-14525-040-072	13	2					162-5	
			1-15573-80-61	96-24	1				1-17897	161	76
			1-16056-19-6	28-8	12					161-10	
			1-16056-28-6	14-13	6					162	
			1-16056-4-3	14-12	6					162-12	
			1-16056-9-6	28-7	12				1-17910-0	121	4
			1-16061	92-23	2				1-17910-1-0	121	2
			1-16061-1	92-24	2						
			1-16064	128	2				1-17998	91-2	2
			1-16285	102-32	2				1-18050-12	83-18	2
			1-16285-1	102-24	1				1-18065	147-39	1
			1-16321-1	163-34	2				1-18067	147-36	3
			1-16322	163-31	2				1-18071	83	2
			1-16326	163-32	2				1-18073	83	2
			1-16365	147-62	1					83-30	
			1-16366	147-63	1				1-18075	172-14	1
			1-16373	147-64	1				1-18076	172-15	1
			1-16378	76-6	1				1-18077	171-2	1
			1-16378-1	76-7	1				1-18089	101-18	2
			1-16380	76-11	1				1-18095	172-28	1
			1-16381	76-13	1				1-18097	172-29	1
			1-16382	147-65	1				1-18098-17-1	40-40	1
			1-16604	17-3	12				1-18098-17-6	39-28	1
				17-18					1-18098-17-7	40-49	1
			1-16605	17-4	12				1-18106	37-1	1
				17-19					1-18112	5-6	60
			1-16606	17-2	12				1-18117	39	2
				17-17						40-26	
			1-16656	136-44	3				1-18117-1	39-32	2
				143-6						40	
			1-16656-1	143	6				1-18127	39-33	8
			1-16658	54-6	1					40-27	
			1-16668-6-29	143-17	2				1-18129	7-12	1
			1-16668-7-24	143-9	1				-18143	147-32	4
			1-16669	43-16	2						

Section III
Numerical Parts List

AN 01-20EG-4

U. S. Army	U. S. Navy	British	Part Number	Figure & Index No.	Total Qty.	U. S. Army	U. S. Navy	British	Part Number	Figure & Index No.	Total Qty.
			1-18144	147-26	2				1-18407	151-8	4
			1-18145	147-24	2				1-18411	83-8	2
			1-18146	147-30	2				1-18415	73-30	2
			1-18147	147-29	2				1-18421	92-21	2
			1-18148	147-34	4				1-18437-1	25-41	6
			1-18160	147-27	2				1-18446	62	3
			1-18169-38	151-6	2					63	
			1-18191-1	59-22	4				1-18448	66-17	1
			1-18192-1	59-23	2				1-18450	163-33	2
			1-18208	37	1				1-18451	163-35	2
			1-18209	59-5	2				1-18452	163-30	2
			1-18230	59-26	2				1-18457-1	77-13	8
			1-18241	39-34	4				1-18462	66-18	1
				40-28					1-18463	171-19	1
			1-18244	143-62	1				1-18464	59	1
			1-18245	143-61	1				1-18465	127-24	4
			1-18246	108-32	2					127-41	
				136-39					1-18491	96-17	1
			1-18253	152-22	1				1-18494	6-32	5
			1-18256	80-28	1					62-1	
			1-18257	96-14	1					62-13	
			1-18262	80-30	1				1-18498	77-35	1
			1-18263	152-18	1				1-18509-5	109-24	1
			1-18264	152-27	1				1-18517	62	1
			1-18266-1	70-15	9				1-18517-1	62	1
				70-33					1-18519	163-17	2
				70-63					1-18521	78-4	1
			1-18266-2	70-2	12				1-18528	62-5	2
				70-21					1-18536-8-199	161	32
				70-39						162	
				70-53					1-18539	96-8	1
			1-18266-3	70-16	9					162	
				70-34					1-18540	106-3	8
				70-64						106-6	
			1-18280	152-11	1				1-18557	73-17	1
			1-18282	39-40	4				1-18557-1	78-58	1
			1-18282	39-40	4				1-18557-13	78-33	1
				40-34					1-18560	77-10	2
			1-18283	39-38	4				1-18560-1	77	2
				40-32					1-18563	79	2
			1-18283-2	39-35	4				1-18566	82-35	1
				40-29					1-18569-1	106	1
			1-18289	62-6	2				1-18578	66	1
			1-18292-48-222	160-26	2				1-18578-1	66-15	1
			1-18292-48-330	160-25	2				1-18578-2	66-13	1
			1-18295	151-35	4				1-18579	142-23	3
			1-18296-4	152-4	1					142-34	
			1-18298	163-42	31				1-18580	6-33	1
			1-18298-1	163-43	18				1-18597	172-10	1
			1-18298-17	163-62	6				1-18603	192-9	8
			1-18298-18	163-63	2				1-18604	192-11	4
			1-18298-8	147-38	1				1-18607-1	59-40	1
			1-18302	152-6	1				1-18609-1	172-11	1
			1-18304	80-6	1				1-18619	23-21	2
			1-18319	152-26	1				1-18642	171-18	1
			1-18323	159-14	1				1-18643	171-12	1
			1-18327-36-1	95-12	1				1-18644	171-13	1
			1-18332	83-7	2				1-18651	58	2
				83-11						58-30	
			1-18338	147	1				1-18652	75-17	1
			1-18356	163	3					96-12	
			1-18371	142-20	2				1-18661-3	78-56	1
			1-18372	173	1				1-18661-4	78-55	1
			1-18374	173-9	1				1-18683	78-13	1
			1-18375	173-6	1				1-18683-1	78-14	1
			1-18379	77-15	4				1-18703	7-10	1
			1-18380-6-191	36-28	4				1-18715	171-5	1
			1-18380-8-173	36-29	2				1-18740	168-36	6
			1-18380-8-199	161	32				1-18756-1	106	1
				162					1-18756-2	106	1
			1-18380-8-250	77-30	8				1-18757	52-22	2
			1-18382	114	2					136-75	
				115					1-18776	172-42	1
			1-18385	77-9	2				1-18778	83-33	2
			1-18388	66-14	1				1-18789	78-43	1
			1-18393	77-12	4				1-18795	39-37	6
			1-18399	83	1					40-31	
			1-18401	77	2				1-18815	81-30	1

U. S. Army	U. S. Navy	British	Part Number	Figure & Index No.	Total Qty.	U. S. Army	U. S. Navy	British	Part Number	Figure & Index No.	Total Qty.
			1-18822	78-16	2				1-19844	164-10	4
			1-18824	59-41	1				1-19857-1	164-11	1
			1-18828	50-20	4				1-19857-2	164-17	2
			1-18842	78	1				1-19857-3	164	1
			1-18842-1	78	1				1-19857-4	164	2
			1-18844	143-68	1				1-19951	111-43	1
			1-18845-5-90	108	1				1-19995	164	2
			1-18849	66-12	1				1-20016	24-9	10
			1-18862	78	1					24-23	
			1-18863-1	78-46	1					24-39	
			1-18865	106-48	2				1-20021	181-5	20
			1-18866	106-41	2				1-20038	143-55	1
			1-18895	29-6	8				1-20040	143-56	1
			1-18896	111	1				1-20065	151-19	4
			1-18898	7-11	1				1-20071-1	23-15	2
			1-18909	192-13	4				1-20072-2	23-32	2
			1-18913-5	77-23	2				1-20135	161-26	24
			1-18913-6	77-24	2					162-34	
			1-18915	182-9	36				1-20199	39-55	4
				182-25						40-59	
				182-47						41-5	
			1-18935	7-14	1					42-5	
			1-18936	43	8				1-20200	39-54	4
			1-18941-12-6	39-45	2					40-57	
				40-50						41-7	
			1-18941-13-7	43-5	4					42-7	
				43-10					1-20201	39-56	8
			1-18941-7-5	40-23	1					40-59	
			1-18941-9-5	39-50	1					41-6	
			1-18947-11-9	40-22	1					42-6	
			1-18947-15-1	39-49	1				1-20348	66-10	1
			1-18947-20-0	39-29	2				1-20354	64-9	8
				40-48						64-34	
			1-18971	39-39	4					67-29	
				40-33					1-20365	81-8	4
			1-18977	186-1	3				1-20367	81-6	2
				187-1					1-20380	182	64
			1-18979-8-2	39-44	1				1-20380-1	182	4
			1-18979-9-1	39-48	1				1-20380-2	182-39	64
			1-18979-9-4	40-21	1				1-20380-3	182-2	4
			1-18982	164-23	4				1-20382	73-23	1
			1-18984	43-8	4				1-20382-1	73-24	1
				43-21					1-20386	176	80
			1-18984-1	43	4					182	
			1-19001-13	136-26	1				1-20387	181	92
			1-19001-49	73-14	2					181-13	
			1-19005-7	122-12	2					181-22	
			1-19034	20-17	11					181-31	
				97-17						181-40	
			1-19052-6-6	95-11	1					181-58	
			1-19054	143-54	1				1-20521	73	NP
			1-19055	143-53	1				1-20533	161-11	10
			1-19060	164-15	4					162-13	
			1-19069	164-18	4				1-20535-100	132-38	2
			1-19070	186	1				1-20535-42	132-52	1
			1-19076	183	2				1-20535-54	132-13	2
			1-19076-1	183	2				1-20535-60	132-5	8
			1-19076-4	183-6	2					132-18	
			1-19076-5	183-8	2					132-26	
			1-19083	152-15	1					132-35	
			1-19087-4	152-10	1					132-47	
			1-19655-1	140-53	2					132-59	
				142-33						132-70	
			1-19658	80-11	1				1-20535-84	132	1
			1-19661	80-10	1				1-20537-16	132-9	2
			1-19701	142	1				1-20538-8	132-8	2
			1-19701-1	142	2				1-20555	70	NP
				142-22					1-20555-1	70-65	1
			1-19701-2	142	1				1-20732	161	NP
			1-19701-3	142	1					162	
			1-19701-5	142	1				1-20878	123-9	2
			1-19706-3	177-16	2				1-20880	123-10	2
			1-19707-4	177-13	2				1-21001	109	1
			1-19817-2	23	1				1-21005	161-24	40
			1-19817-3	23-6	1					162-32	
			1-19823	110-2	2				1-21005-1	162-33	2
				116-22					1-21028	93-13	4

Section III
Numerical Parts List

AN 01-20EG-4

U. S. Army	U. S. Navy	British	Part Number	Figure & Index No.	Total Qty.	U. S. Army	U. S. Navy	British	Part Number	Figure & Index No.	Total Qty.
			1-21031	105-20	24				1-22622	149-1	1
				161-28					1-22622-1	149	1
				162-35					1-22651	143-10	2
			1-21032	105-21	8				1-22655	28	4
				161-27					1-22655-1	38	4
			1-21033	106-11	2				1-22655-2	138	1
			1-21034	162-36	16				1-22684	67-15	2
			1-21053	17-25	24				1-22694	70-10	1
			1-21074	52-24	2				1-22707	147-10	1
			1-21077	121	4				1-22707-18	147	1
			1-21081-4	39	1				1-22707-28	150-30	1
			1-21081-5	40-35	1				1-22746	110-6	7
			1-21081-6	39-41	1					110-23	
			1-21081-7	40	1					111-2	
			1-21087	39-23	4					111-7	
				40-46						111-8	
				41-28						111-56	
				42-25					1-22746-1	109-29	6
			1-21099	161-25	42					110	
				162-31						111-9	
			1-21345-1	123-21	1					116-5	
			1-21347	91-13	2					117-6	
			1-21349	91	1				1-22888-1	158-29	1
			1-21350	91-43	1				1-22900-10	56-13	2
			1-21379	161-23	21				1-22928-5	103-2	2
				162					1-22934-5	166-23	8
			1-21379-2	161	21				1-22959-2	103-24	2
				162-30					1-22986-3	163-22	2
			1-21385	176-4	12				1-22987-1	159-23	1
			1-21393	192-4	4				1-23035-2	14-30	2
			1-21399	192-5	4				1-23503-152	128	1
			1-21424	28-11	4				1-23504	169-21	As Req.
			1-21425	162	2				1-23504-1	169	As Req.
				162-16					1-23504-2	169	As Req.
			1-21425-1	162	2				1-23504-3	169	As Req.
				162-17					1-23548	128-13	1
			1-21426	161-6	5				1-23550	128-12	2
				162					1-23553	127	NP
				162-6					1-23570	161-12	2
			1-21426-1	161	5				1-23570-1	161	1
				162					1-23582	98	3
				162-7						98-13	
			1-21444	123-3	1				1-23584	98-8	1
			1-21454-2	162-15	1				1-23592	112	8
			1-21454-3	162	1				1-24204-1	79	1
			1-21458-1	44-17	2				1-24206	151-40	1
			1-21470	30	14				1-24217	106-8	4
			1-21547	153-14	2				1-24222-28	23-20	2
			1-21924-3-0218	182-8	72				1-24222-30	190	1
				182-24					1-24222-35	30-8	4
				182-46					1-24228-2	82-40	2
			1-21924-4-0375	176	72				1-24234-1	103-42	1
			1-21927	176-5	6				1-24234-2	101-40	3
			1-21949-1	182-56	72				1-24235-1	101-15	2
			1-21949-2	181-10	50				1-24237-1	101-27	2
				181-19					1-24238-1	101-28	2
				181-28					1-24239-1	102-11	7
				181-37					1-24239-2	102-21	6
				181-46					1-24239-3	101-11	12
				181-55					1-24247-1	163-61	8
			1-21950	111	1				1-24262	65-48	2
			1-21953	143-23	2				1-24263	79-11	3
			1-21955	143-24	1					108-42	
			1-21956	192-10	16				1-24265	65-52	1
			1-21958	192-7	4				1-2438-1-1D1	125-26	1
			1-21963-1	176-17	36				1-24613-4	77-22	4
			1-21966	181-15	46				1-24927	111-5	1
				181-24					1-24939	30-4	4
				181-33					1-24941-1	163-56	4
				181-42					1-24977	82-5	2
				181-51					1-24981	82-6	2
				181-60					1-25426	157-15	2
			1-21987	98	NP				1-25427	157-17	2
			1-22603	78-9	1				1-25428	157-22	1
			1-22607	152-5	1				1-25429	157-7	2
			1-22609	149-3	2					157-11	
			1-22610	149-4	2				1-25430-1	157-24	1
			1-22613	149-5	2				1-25433	157-4	2
			1-22621	149	4						

AN 01-20EG-4

Section III
Numerical Parts List

U. S. Army	U. S. Navy	British	Part Number	Figure & Index No.	Total Qty.	U. S. Army	U. S. Navy	British	Part Number	Figure & Index No.	Total Qty.
			1-25463	157-19	1				1-27946	153-25	1
			1-25464	157-16	1				1-28072	149-15	2
			1-25489	157-23	2				1-28072-1	147-8	1
			1-25503	127-54	3				1-28115	170-9	2
				127-58					1-28185	158	4
				127-60					1-28200	158-6	1
			1-25564	36-17	2				1-28204	158-23	1
			1-25565	36	4				1-28304	58-13	1
			1-25567-1	155-37	1				1-28306	153-33	1
			1-25568-1	155-36	1				1-28368	147-13	1
			1-25571	36-27	4				1-28392	106	1
			1-25571-1	36	4				1-28758-1	183-7	19
			1-25592	90-11	1					183-9	
			1-25593	90-10	1					183-11	
			1-25596	128	1					183-13	
			1-25597	63-4	2					183-15	
			1-25720	157-9	2					183-17	
			1-25940	157-18	2					183-19	
			1-26276-1	82-38	2					183-21	
			1-2639-3-8OUI	125-35	1					184	
			1-26402	128	2				1-28781	65-35	2
			1-26403-2	152-7	1				1-28799	128	1
			1-26415	91-8	8				1-28841	77-3	16
			1-26432	162-37	2				1-28845	163-69	As Req.
			1-26434-1	76-24	60				1-28859	158-30	1
				76-42					1-28972	21-43	8
			1-26471	80-38	1				1-28977-1	80-25	1
			1-26476	160-12	2				1-28979-1	80-24	3
			1-26477	160-2	1				1-28999	78-54	1
			1-26477-1	160-3	1				1-29092	121-1	2
			1-26478	160-4	1				1-29182	21-10	4
			1-26478-1	160-5	1				1-29212	44-30	1
			1-26887	83-29	1				1-29232	82-37	2
			1-26889	83-32	6				1-29236	117-2	1
			1-27173	24-7	8				1-29238	117-3	1
			1-27173-1	24	8				1-29254	110	2
			1-27185	147-40	1					116	
			1-27200	36-22	2				1-29304	109	1
			1-27216	21-62	2				1-29322	57-25	2
			1-27378	76-31	8				1-29325	117	1
				76-48					1-29329-1	53-67	4
			1-27385	123-23	1				1-29337	57-20	2
			1-27399	151-12	1				1-29338	57-21	2
			1-27602	151-14	1				1-29348	53-71	2
			1-27603	151-13	1				1-29690	80-13	1
			1-27613	136-13	2				1-29694	90-13	1
			1-27630	83-31	2				1-29922	136	8
			1-27639	78-11	1					143	
			1-27639-1	78-23	1				1-29960	147-7	2
			1-27706	147-71	1				1-29962	170-2	4
			1-27724	166-17	2				1-29992	128	2
			1-27726	147-69	1				1-30175	127-9	1
			1-27728	167-48	2				1-30187	71	2
			1-27733	21-36	2				1-30200	19	1
			1-27733-2	21-54	2				1-30217	45-16	*2
			1-27735	170-16	2				1-30401	163-28	1
			1-27741	92-38	4				1-30403	149	6
			1-27743	106	2					151-26	
			1-27745	147	1				1-30403-1	146-25	2
			1-27746	158-20	1				1-30403-2	150-25	2
			1-27801	19-34	24				1-30418	79-23	6
				20-27					1-30418-1	79-24	5
				97-3					1-30453-1	119-17	1
			1-27906	158-16	1				1-30472	175-14	1
			1-27918-1	158-12	4				1-30479	175-12	1
			1-27927	158-4	2				1-30623	158-8	2
			1-27928-1	158-13	2				1-30685	166-5	2
			1-27931	158-28	1				1-4795	184-8	2
			1-27931-1	158-25	1					185-10	
			1-27932	158-7	2				1-534-43D1	125-34	1
			1-27935	121	2				1-8379	140-54	1
			1-27935-1	146-44	4				1-9034	19-25	1
									1E-VR280BRC	26-1	2
										27-1	
										46-38	
			1-27935-2	121	4				1E757	35-14	4
			1-27936	181	8					35-19	
			1-27939	153-8	1				1P677	126	1
			1-27942	153	1				10-1336-26SS10	125-18	1
			1-27943	153-12	1				10-1342-4SS10	55-4	1
			1-27945	153-27	1				10-1342-5SS10	53-6	1
			1-27945-1	153-29	1						

Section III
Numerical Parts List

AN 01-20EG-4

U. S. Army	U. S. Navy	British	Part Number	Figure & Index No.	Total Qty.	U. S. Army	U. S. Navy	British	Part Number	Figure & Index No.	Total Qty.
			10-1342-6SS10	55-9	1				1248	82-52	2
			10-1442-3D1	55-12	1				1264	82-51	2
			10-1542-21D3	55-2	1				132	79	4
			10-1641-55D5	125-14	1				13960-3	23-3	4
			10-1842-5SS10	55-8	1					198-2	
			10-2142	83-3	1				14-10407-53	21	1
			10-2142-15	54-11	1				14-1337-4	12-5	2
				55-1					14-1681	91	NP
				203-3					14-1681-1	91	NP
			10G116	82-54	2				14-1681-2	91-44	1
			10061-1E	109-27	1				14-1681-3	91-45	1
			103611-970-2	39-19	4				14-1692-1	69-37	1
				40-42					14-1692-12	69-38	1
				41-23					14-1692-13	69-39	1
				42-21					14-1692-4	69-36	2
			1054	82-50	2				14-1692-7	69-49	1
			106-8	121-63	3				14-1692-8	69-50	1
				121-81					14-1692-9	69	NP
				85	2				14-1695	82	NP
			1071535	45	2				14-1695-1	82	NP
			1073-1	45	2				14-1695-4	82-1	1
			1073-1A	113-2	1				14-1695-41	82	1
				154-44					14-1695-42	82	1
			1073-1B	113	1				14-1695-5	82	1
				154					14-1820	177	NP
			1073-2	45	1					184	
			1073-3	45-12	1					185	
			109GGR	113-17	2				14-1820-15	184	1
				118-6					14-1820-7	184	1
			109S	108-25	1				14-1820-8	184-1	1
			109SA	118-7	1				14-1945	44-11	NP
			109SR	118-8	1					47	
			11-1140-20SS10	137-3	1				14-1945-1	44	NP
			11-1237-6SS2	137	1					47	
			11-1638-11-4D3	137-2	1				14-1945-15	47-16	1
			11-642-85	137	1				14-1945-25	47	1
			1103	91-6	1				14-1945-26	47	1
			1110	116	68				14-1945-28	47-13	1
			1125	66	1				14-1945-30	47-12	1
			114	67-18	2				14-1945-32	47-14	1
			117	154-16	2				14-1945-34	47-17	1
			11749	47	3				14-1945-36	47-19	1
				47-20					14-1945-38	47-18	1
			11751	47	3				14-1945-40	47-5	4
				47-21					14-1945-48	47	1
			12-1148	53-50	NP				14-1945-50	47	1
				57					14-1945-58	47	1
			12-1148-1	57-26	1				14-1945-6	47-15	1
			12-1148-6	57-27	1				14-1945-60	47	1
			12-1148-13	57-28	1				14-1945-62	47	1
			12-1149	53-53	NP				14-2043	59-27	1
				57					14-2045	12	NP
			12-1149-1	57-44	1				14-2045-1	12	NP
			12-1149-7	57-43	1				14-2051	59	NP
			12-1198	79	NP				14-2052	59	NP
			12-1198-1	79-33	1				14-2053	5	NP
				150					14-2053-1	5	NP
			12-1199	79	NP				14-2056	143	NP
			12-1199-1	79-32	1				14-2056-14	143-58	1
				150-42					14-2056-20	143-60	1
			12-1241-13-16SS9	55-5	1				14-2056-21	143-57	1
			12-638-2B18	137-6	1				14-2056-23	143-59	1
			12-825	79	NP				14-2072	113	NP
			12-825-11	79	1				14-2072-1	113	NP
			12-839	66	NP				14-2072-10	113	1
			12-839-17	66	1				14-2072-11	113	1
			12-839-2	66	1				14-2072-12	113	1
			12-839-23	66	1				14-2072-13	113	1
			12-839-3	66-1	1				14-2072-19	113	1
			12-839-4	66-3	1				14-2073	59-15	1
			12-839-5	66-2	1				14-2073-1	59	1
			12-842	68	1				14-2357	161-22	1
			12-848	71	NP				14-2357-2	161	1
			12-848-9	71-4	NP				14-2357-8	162-29	1
			12001-0	108-11	1				14-2357-9	162	1
			12002-1	44-32	1				14-2870-13	111-29	1
			12003-1	108-46	1				14-2870-21	111	1
			1203	7-13	1				14-2878	121	1
			1206	169-30	2						
			1227-1A	115-7	1						

U. S. Army	U. S. Navy	British	Part Number	Figure & Index No.	Total Qty.	U. S. Army	U. S. Navy	British	Part Number	Figure & Index No.	Total Qty.
			14-3002	100	NP				15-10395	24	1
				108-29					15-10395-1	24	1
			14-3004	114	NP				15-10396	24	1
			14-3006	98	NP				15-10396-1	24	1
			14-3006-2	98	1				15-10398	24	1
			14-3006-3	98	1				15-10398-1	24	1
			14-3006-6	98	1				15-10399	24	1
			14-3006-7	98	1				15-10399-1	24	1
			14-3281	111-3	NP				15-10400	21-68	NP
				112						24	
			14-3281-11	112	1				15-10400-1	24	NP
			14-3281-13	112	1				15-10400-2	24-25	1
			14-3281-16	112	1				15-10400-3	24	1
			14-3281-8	112	1				15-10404	132	NP
			14-3281-9	112-13	1				15-10404-1	132	1
			14-3286	147-1	1				15-10404-4	132-31	1
			14-3286-35	147-9	1				15-10407	21	NP
			14-3287	167-21	1					22	
			14-3287-1	167	1				15-10407-1	21	NP
			14-3287-2	167-39	2					22	
			14-3288	141-83	1				15-10407-11	21-13	2
			14-3288-1	141-84	1				15-10407-118	22-5	2
			14-3289	141-85	1				15-10407-119	22-6	2
			14-3289-1	141-86	1				15-10407-12	21-16	2
			14-3290	147	NP				15-10407-121	22-11	1
			14-3311	83	NP				15-10407-123	22-7	1
			14-3316	81	1				15-10407-125	22	1
			14-3569	177-23	NP				15-10407-126	22-12	1
				184					15-10407-127	22	1
				185					15-10407-128	22-8	1
			14-3569-1	185	1				15-10407-13	21-17	2
			14-3569-2	185	1				15-10407-130	22-39	1
			14-3610	64-31	1				15-10407-131	22	1
			14-3626	83-1	1				15-10407-132	22-40	1
			14-3630	142	NP				15-10407-133	22-41	1
			14-3630-1	142	1				15-10407-134	22-42	1
			14-3630-4	142-1	1				15-10407-135	22	1
			14-3631	142	NP				15-10407-136	22-43	1
			14-3638	59	1				15-10407-137	22	1
			14-3638-1	59	1				15-10407-138	22-44	1
			14-3655	141	NP				15-10407-139	22	1
			14-3670	9-18	1				15-10407-14	21-18	2
			14-3671	130	NP				15-10407-140	22-34	1
			14-3674-15	53-73	1				15-10407-141	22-35	1
			14-3674-16	53-74	1				15-10407-142	22-36	1
			14-3694	141-50	1				15-10407-143	22	1
			14-3695	141-27	2				15-10407-144	22-37	1
				141-40					15-10407-145	22	1
			14-3704	43	NP				15-10407-146	22-50	2
			14-3704-1	43	1				15-10407-147	22	2
			14-3704-2	43	1				15-10407-149	22-51	1
			14-3706	43	NP				15-10407-15	21-19	1
			14-3706-1	43	1				15-10407-150	22	1
			14-3706-2	43	1				15-10407-151	22-49	1
			14-3740	116-18	1				15-10407-152	22-48	1
			14-4065	111-72	NP				15-10407-153	22	1
				118					15-10407-156	22-30	1
			14-4065-1	118	1				15-10407-157	22-19	1
			14-4065-3	118	1				15-10407-158	22-31	1
			14-4099	111-73	NP				15-10407-159	22-24	1
				118					15-10407-16	21	1
			14-7337-44	83	1				15-10407-18	21-37	2
			1400B5-1	27-27	2					22-15	
									15-10407-19	21-39	3
			1485	82-52	2					22-16	
			15-10001	65-46	1				15-10407-20	21-40	3
			15-10390	21-67	NP					22-17	
				24					15-10407-21	21-41	3
			15-10390-1	24	NP					22-18	
			15-10390-2	24-17	1				15-10407-22	21-42	2
			15-10390-3	24	1				15-10407-23	21-56	3
			15-10391	24	1					22-27	
			15-10391-1	24	1				15-10407-24	21-57	3
			15-10392	24	1					22-28	
			15-10392-1	24	1				15-10407-25	21-58	3
			15-10393	24	1					22-29	
			15-10393-1	24	1				15-10407-26	21-59	2
			15-10394	24	1				15-10407-27	21-61	3
			15-10394-1	24	1					22-46	

Section III
Numerical Parts List

T.O. 1B-17G-4

U. S. Army	U. S. Navy	British	Part Number	Figure & Index No.	Total Qty.	U. S. Army	U. S. Navy	British	Part Number	Figure & Index No.	Total Qty.
			15-10407-3	21-11	2				15-10605	149-14	1
			15-10407-34	21-34	1				15-10605-1	149	1
			15-10407-35	21	1				15-10606	149	NP
			15-10407-4	21-14	4				15-10621	130	NP
				21-27					15-10621-1	130-48	1
			15-10407-45	21	1				15-10622	130	NP
			15-10407-46	21-30	2				15-10626	159	NP
			15-10407-5	21-28	2				15-10626-1	159-1	1
			15-10407-50	21-12	2					153-1	
			15-10407-52	21-35	1				15-10826-2	153	1
			15-10407-54	21-20	1				15-10959	158-2	1
			15-10407-55	21	1				15-10960	71	NP
			15-10407-6	21-31	1				15-10960-1	71	1
			15-10407-62	21-47	4					87-2	
			15-10407-63	21-48	4				15-10967	66-45	1
			15-10407-7	21-32	2					158-1	
			15-10407-73	21-2	2					159-29	
			15-10407-74	21-3	3				15-10973	71	NP
				22-3					15-10973-1	71	1
			15-10407-75	21-5	2					87-3	
			15-10407-76	21-7	2				15-10983	58	NP
			15-10407-77	21-8	2				15-10990	66	NP
			15-10407-78	21-22	2				15-10991-3	108-3	1
			15-10407-79	21-24	1				15-10991-5	108	1
			15-10407-8	21-33	1				15-11151	153-6	1
			15-10407-80	21-25	2				15-11162	87	NP
			15-10407-81	21-4	3					195	
				22-4					15-11177	43	NP
			15-10407-83	21	1					119	
			15-10407-87	21-63	1				15-11178	68-3	1
			15-10407-88	21	1				15-11194	159	NP
			15-10407-89	21-64	1				15-11194-1	159-20	1
			15-10407-9	21	1				15-11194-13	159-25	1
			15-10407-90	21	1				15-11194-19	159-19	1
			15-10407-94	21-52	4				15-11194-9	159-24	1
			15-10407-95	22-2	1				15-11308	172	NP
			15-10407-96	21	4				15-11382	145	NP
			15-10408	21-69	NP						
				23					15-11406	64	1
				24					15-11406-1	64	1
				25					15-11406-10	64-28	1
			15-10408-1	24	NP				15-11406-11	64-29	1
			15-10408-2	21-53	1				15-11406-12	64-46	1
			15-10408-3	24-52	1				15-11406-14	64	1
			15-10408-6	24	2				15-11406-15	64-38	1
			15-10408-8	23	1				15-11406-18	64-37	2
			15-10409	147-35	1					64-39	
			15-10411	147	NP				15-11406-19	64-50	1
			15-10411-4	147-73	1				15-11406-27	64-45	1
			15-10412	147-22	1				15-11406-28	64	1
			15-10412-2	147	1				15-11406-29	64-26	1
			15-10412-3	147	1				15-11406-30	64-51	1
			15-10414	166	NP				15-11406-31	64	1
				199-13					15-11406-33	64	1
			15-10414-12	166-9	1				15-11406-6	64-35	1
			15-10414-13	166	1				15-11406-8	64-27	1
			15-10414-14	166	2				15-11406-9	64-30	1
			15-10414-24	166-10	1				15-11412	142	NP
			15-10414-25	166	1				15-11412-1	142-7	1
			15-10414-26	166-11	2				15-11412-6	142-6	1
				170					15-11421	121	NP
			15-10414-27	166	1				15-11421-1	121-7	1
			15-10414-28	166	1				15-11421-2	121-4	1
			15-10414-5	166-6	1				15-11421-3	121-3	1
				167-1					15-11421-4	121-6	1
			15-10414-6	166	1				15-11421-5	121-2	1
				167					15-11421-6	121-5	1
			15-10422	152	NP				15-11604	43	NP
			15-10429	44	NP				15-11604-1	43	NP
				108					15-11604-2	43-14	2
			15-10430	5	NP				15-11618	43	NP
			15-10430-1	5	NP				15-11618-1	43	2
			15-10430-2	5-3	1				15-11618-2	43	2
			15-10430-3	5	1				15-11618-3	43	2
			15-10431	79	NP				15-11619	43	NP
			15-10431-1	79-4	1				15-11619-1	43	NP
			15-10438	44	NP				15-11622	68	NP
			15-10439	12	NP						

AN 01-20EG-4

Section III
Numerical Parts List

U. S. Army	U. S. Navy	British	Part Number	Figure & Index No.	Total Qty.	U. S. Army	U. S. Navy	British	Part Number	Figure & Index No.	Total Qty.
			15-11622-1	68-2	1				15-11695-3	23	1
				159-33					15-11695-7	23	1
			15-11622-2	68-4	1				15-11695-8	28	1
				159-34					15-11900	79	NP
			15-11632	66-39	1				15-11912	79	NP
			15-11633	66	NP				15-11920-4	68-25	1
			15-11633-1	66	1				15-11920-5	68	1
				159-27					15-11921	68	NP
			15-11634	68-12	1				15-11921-1	68	NP
			15-11639	77	NP				15-11921-2	68-23	1
			15-11640-2	77-36	1					88-2	
			15-11641	68	NP					89-9	
			15-11641-1	68-11	1				15-11921-3	68-24	1
				159-35						88-3	
			15-11641-2	68-13	1					89-10	
				159-36					15-11924	163	NP
			15-11641-3	68-15	1				15-11925	163	NP
				159-37					15-11926-8	163-67	1
			15-11641-4	68-17	1				15-11927-7	163-68	1
				159-38					15-11929	73-21	1
			15-11641-5	68-19	1				15-11929-1	73-22	1
				159-39					15-12710	53	NP
			15-11644-2	77	1				15-12710-1	53-14	1
			15-11645	77	NP				15-12710-10	53-15	1
			15-11656	68-20	1				15-12710-8	53-16	1
			15-11662	43	NP				15-12711	53	NP
			15-11662-3	43	2					141	
			15-11662-4	43	2				15-12712	141	NP
			15-11662-5	43	2				15-12723	53	NP
			15-11662-6	43	NP					140	
			15-11667	43	NP					141	
			15-11667-1	43	1				15-12754	53	NP
			15-11671	43	NP				15-12754-1	53	NP
			15-11671-1	43	1				15-12756	53	NP
			15-11676	119	NP				15-12756-1	53	NP
			15-11683	111	NP				15-12763	53	NP
			15-11684	111	1				15-12763-3	53-28	1
			15-11684-1	111	1				15-12765	53	NP
			15-11684-23	111	1				15-12765-1	53	NP
			15-11684-25	111	1				15-12765-2	53	1
			15-11684-31	111	1				15-12765-3	53	1
			15-11684-32	111	1				15-12774	140	NP
			15-11692	23	NP				15-12775	66-41	1
				26-50					15-12775-1	66-42	1
				28					15-12779	140	NP
				199					15-12779-2	140-26	1
			15-11692-1	23	1				15-12782	140	NP
			15-11692-2	28	1				15-12784	66	NP
			15-11692-3	23-33	1				15-12784-1	66	1
			15-11692-6	23	1					89-13	
			15-11692-7	28	1				15-12784-2	66	1
			15-11692-9	23	1					89-14	
			15-11693	23	NP				15-12784-3	66	2
				26-52						89-15	
				28					15-12784-4	66	2
				191						89-16	
			15-11693-1	23	1				15-12790	53	NP
			15-11693-2	28	1				15-12921	67	1
			15-11693-3	23-34	1				15-12921-1	67	1
			15-11693-6	23	1				15-12921-12	67-4	1
			15-11693-8	28	1				15-12921-15	67	1
			15-11694	23	NP				15-12921-20	67	1
				27-49					15-12921-4	67-5	1
				28					15-12921-7	67	2
				199					15-12943	26-6	NP
			15-11694-1	23	1					30	
			15-11694-10	28	1				15-12944	26-7	NP
			15-11694-12	23	1					30	
			15-11694-2	28	1				15-12945	27-7	NP
			15-11694-3	23	1					30	
			15-11694-9	23	1				15-12946	27-8	NP
			15-11695	23	NP					30	
				27-51					15-12946-4	30	1
				28					15-12947	140	NP
				191					15-12952	53	NP
			15-11695-1	23	1				15-12952-1	53	NP
			15-11695-10	23	1				15-12964	56-1	1
			15-11695-2	28	1				15-12964-1	56	1

Section III
Numerical Parts List

AN 01-20EG-4

U. S. Army	U. S. Navy	British	Part Number	Figure & Index No.	Total Qty.	U. S. Army	U. S. Navy	British	Part Number	Figure & Index No.	Total Qty.
			15-12965	9-9	NP				15-13217	127	NP
				56					15-13217-10	127-29	1
				202-5					15-13217-11	127-30	1
			15-12965-1	9	NP				15-13217-9	127-28	1
				56					15-13245	131	1
			15-12965-2	56	1				15-13245-1	131-35	1
				63					15-13247	150	NP
			15-12965-3	56	1				15-13248	150	NP
				57-64					15-13264	150-24	1
			15-12971	140	NP				15-13288	81-1	1
			15-12972	140	NP				15-13296	45	NP
			15-12972-4	140-1	1				15-13296-1	45	2
			15-12972-8	140	NP				15-13296-2	45	2
			15-12972-9	140	1				15-13703	44	NP
			15-12978-17	53-75	1				15-13703-1	44	NP
			15-12978-18	53-76	1				15-13711	24	1
			15-12987	53	NP				15-13711-1	24	1
			15-12995	53	NP				15-13712	24	1
			15-12995-1	53	NP				15-13712-1	24	1
			15-13012	69-5	NP				15-13713	24	1
				144					15-13713-1	24	1
			15-13012-2	144	1				15-13714	24	1
			15-13013	57-68	NP				15-13714-1	24	1
				69-6					15-13715	24	1
				144					15-13715-1	24	1
				202-4					15-13716	24	1
			15-13013-1	144-9	1				15-13716-1	24	1
			15-13013-2	144	1				15-13717	24	1
			15-13013-3	144	1				15-13717-1	24	1
			15-13018	53	NP				15-13718	24	1
			15-13031-17	53-69	2				15-13719	24	1
			15-13031-22	53-66	1				15-13719-1	24	1
			15-13031-23	53	1				15-13819	65	NP
			15-13031-31	53	1				15-13819-4	65	1
			15-13031-32	53	1				15-13819-5	65-11	1
			15-13031-36	53	1				15-13819-6	65-12	1
			15-13031-37	53	1				15-13839-7	65-18	1
			15-13031-40	53	1				15-13843	65	NP
			15-13031-41	53	1				15-13843-10	65-23	1
			15-13037	53	NP				15-13843-11	65-24	1
				57					15-13843-12	65-30	1
			15-13037-1	57-1	1				15-13843-9	65	1
			15-13037-3	57-3	1				15-13853	146-24	2
			15-13037-5	57-2	1				15-13854	146	NP
			15-13037-7	57-4	1				15-13856	140	NP
			15-13043	79	NP				15-13867	29	NP
			15-13048	24	1				15-13867-1	29	NP
			15-13048-1	24	1				15-13867-2	29	NP
			15-13049	24	1				15-13867-3	29	NP
			15-13049-1	24	1				15-13867-4	29	NP
			15-13050	24	1				15-13867-5	29	NP
			15-13050-1	24	1				15-13867-6	29	NP
			15-13053	121	NP				15-13867-7	29	NP
			15-13053-1	121	1				15-13867	146	NP
			15-13053-2	121	1				15-13869-1	146	1
			15-13053-3	121	1				15-13869-10	146	1
			15-13053-4	121-62	1				15-13869-11	146	1
			15-13083	141	NP				15-13869-2	146	1
			15-13083-2	141-35	1				15-13869-5	146	1
			15-13095	150-23	1				15-13869-7	146	2
			15-13091	154-25	NP				15-13870	146	NP
				157					15-13871	110	NP
			15-13091-1	157-1	1				15-13871-1	110	1
			15-13091-4	157	1				15-13871-3	110	1
			15-13096	132	NP				15-13871-6	110	1
			15-13096-1	132	NP				15-13874	108	NP
			15-13096-13	132	2				15-13874-2	108	1
				133					15-13874-3	108	1
			15-13096-14	132	2				15-13874-6	108	1
				133					15-13876	132	NP
			15-13096-6	132	2					133	
				133-52					15-13876-1	132	2
			15-13098	149	1					133	
			15-13098-1	149	1						
			15-13138-15	53-17	2						
			15-13208	141	NP						

AN 01-20EG-4

Section III
Numerical Parts List

U. S. Army	U. S. Navy	British	Part Number	Figure & Index No.	Total Qty.	U. S. Army	U. S. Navy	British	Part Number	Figure & Index No.	Total Qty.
			15-13876-10	132	2					141-59	
				133					15-17138-11	53-24	3
			15-13876-12	132	2					140-61	
				133					15-17138-12	141-13	4
			15-13876-13	132	2					141-28	
				133					15-17138-13	53-29	2
			15-13878	146	NP				15-17138-14	140-27	15
			15-13885	166	NP					140-44	
			15-13885-1	166-44	2					140-56	
			15-13954	150	NP					140-58	
			15-13958	150-12	4					140-77	
			15-14623	135	NP					141-41	
			15-14623-1	135-48	1				15-17138-15	141-44	
			15-14655	135	NP					53-5	15
			15-14655-1	135-63	1					53-19	
			15-14655-2	135-66	1					140-75	
			15-14655-3	135-65	1					140-79	
			15-14655-4	135-62	1					141-9	
			15-14655-5	135-64	1				15-17138-16	141-11	
			15-14655-6	135-59	2					53-2	3
			15-14787	26	1				15-17138-2	140-34	5
			15-14787-1	26	1					141-36	
			15-14787-4	26	1					141-46	
			15-14787-5	26	1				15-17138-3	141-69	8
			15-14788	26	1				15-17138-4	53-10	3
			15-14788-1	26	1					140-66	
			15-14788-4	26	1				15-17138-5	140-64	1
			15-14788-5	26	1				15-17138-6	141-30	3
			15-14789	27	1				15-17138-7	140-13	4
			15-14789-1	27	1					140-15	
			15-14789-4	27	1					140-41	
			15-14789-5	27	1				15-17138-8	141-51	9
			15-14790	27	1					53-8	
			15-14790-1	27	1					140-17	
			15-14790-4	27	1					141-1	
			15-14790-5	27	1					141-3	
			15-15392	79	NP				15-17138-9	140-20	2
			15-15396	79	NP				15-17162	118	NP
			15-15398	83	NP				15-17162-1	118-22	1
			15-15486	147-44	1				15-17162-2	118	2
			15-15489	82	NP				15-17162-3	173	2
			15-16026	53-64	1				15-17533-12	134	2
			15-16026-1	53-65	1				15-17533-6	134-18	2
			15-16026-2	53	1				15-17533-7	134-19	2
			15-16026-3	53	1				15-18502	177	1
			15-16028	147	NP				15-18502-1	177	1
			15-16076	147	NP				15-18502-4	177	1
			15-16077	16-13	1				15-18502-5	177	1
			15-16077-1	16	1				15-18502-6	177	1
			15-16139	133	NP				15-18736	150	NP
			15-16139-1	133-25	1				15-18906-2	3	1
			15-16139-7	133	1				15-18906-3	3	1
			15-16167	130-52	1				15-18906-4	3	2
			15-16174	130-10	1				15-3097	24	1
			15-16176	130	NP				15-18736	150	NP
			15-16185	141	NP				15-3097-1	24	1
			15-16185-1	141-18	1				15-4779	167	2
			15-16185-11	141-17	1				15-4779-1	167-19	2
			15-16185-2	141-20	1				15-4779-2	167-18	4
			15-16185-7	141-22	1				15-5008	161-14	58
			15-16187	130	NP					162-21	
			15-16187-1	130	1				15-5665	15	NP
			15-16196	67-10	1				15-5665-1	15	NP
			15-16196-1	67	1				15-5665-2	15-4	2
			15-16593	134	NP				15-6045-28	16-7	1
			15-16593-1	134	1				15-6045-29	16	1
			15-16593-2	134	1				15-6045-62	16	NP
			15-16593-3	134	1				15-6045-63	16	NP
			15-17001	163-70	2				15-6063-30	16-2	2
			15-17028	163	NP				15-6063-31	16	1
			15-17035	163	NP				15-6079	36-3	2
			15-17138	141-49	1				15-6146	120	NP
			15-17138-1	141-39	1				15-6146-1	120	1
			15-17138-10	141-53	13				15-6146-14	120-13	1
				141-57					15-6146-15	120-6	2
									15-6146-16	120-7	1
									15-6146-17	120	1
									15-6146-18	120-10	1
									15-6146-19	120	1
									15-6146-2	120-8	1
									15-6146-3	120-9	1
									15-6146-4	120-5	1
									15-6181	167-43	2
									15-6181-1	167	1

Section III
Numerical Parts List

T.O. 1B-17G-4

U. S. Army	U. S. Navy	British	Part Number	Figure & Index No.	Total Qty.	U. S. Army	U. S. Navy	British	Part Number	Figure & Index No.	Total Qty.
			15-6246	179 180	NP					60	
			15-6333	9	NP				15-7025	58-1	1
			15-6333-1	9	NP					59	
			15-6333-31	9-20	1				15-7025-1	58	1
			15-6333-32	9-1	1					59	
			15-6343	9-6	NP				15-7025-134	58	1
				37						59	
			15-6343-1	9	NP				15-7025-140	58	1
				37						59	
			15-6345	45	NP				15-7025-141	59	2
				189-61					15-7025-142	59	2
			15-6345-1	45	NP				15-7025-2	59	2
				169					15-7025-4	59	2
			15-6531	34	NP				15-7025-6	59	2
			15-6531-1	34	NP				15-7026-39	58-9	1
			15-6531-2	34-37	1					59	
			15-6531-3	34-38	1				15-7026-40	58	1
			15-6534	16-24	NP					59	
			15-6534-1	16	NP				15-7026-43	58	1
			15-6534-2	16-25	1					59	
			15-6534-3	16	1				15-7026-44	58	1
			15-6535	16-18	NP					59	
			15-6535-1	16	NP				15-7029-11	24	2
			15-6535-2	16-19	1				15-7029-16	24	1
			15-6535-3	16	1				15-7029-18	24	1
			15-6620-103	76-52	1				15-7029-2	23-38	1
			15-6620-104	76	1				15-7029-8	24-50	2
			15-6620-105	76	1				15-7029-9	24-55	2
			15-6620-12	76-17	2				15-7033	95	NP
				76-36					15-7035	99	NP
			15-6620-2	76-26	2					186	
				76-43						187	
			15-6620-3	76-16	1				15-7036	99	NP
			15-6620-61	76	NP					186	
			15-6620-62	76	1					187	
			15-6620-66	76-21	1				15-7037	99	NP
			15-6620-67	76-18	2				15-7038	37	NP
				76-37						197	
			15-6620-79	76-20	1				15-7040	99	NP
			15-6620-88	76	1				15-7042-2	59-31	1
			15-6620-89	76-51	1				15-7042-3	59-36	1
			15-6620-90	76-53	1				15-7042-31	59	NP
			15-6620-91	76-54	1				15-7042-32	59	1
			15-6620-94	76-63	1				15-7042-4	59-37	1
			15-6620-95	76-55	1				15-7042-5	59-38	1
			15-6620-97	76	1				15-7044	77	NP
			15-6621	76	NP				15-7044-1	77	NP
			15-6621-1	76-3	1				15-7044-15	77	1
			15-6623	9-15	NP				15-7044-16	77	1
				31-25					15-7044-17	77-34	2
				38					15-7044-8	77-33	1
			15-6623-1	9	NP				15-7044-9	77	1
				32-24					15-7310	29-2	1
				38					15-7310-11	29	1
			15-6623-22	38-16	2				15-7324-2	58	NP
			15-6624	183	NP					59	
			15-6624-1	183-4	2				15-7336-1	106-21	2
			15-6625	183	NP				15-7336-10	106-22	2
			15-6625-1	183	NP				15-7336-11	106	2
			15-6625-2	183-3	1				15-7337	83	NP
			15-6625-3	183	1				15-7337-31	83-26	1
			15-6701	33-3	1				15-7337-42	83	1
			15-6701-20	33	1				15-7337-43	83	1
			15-6702	143-63	1				15-7348-1	23-31	2
			15-6703	143	1				15-7348-10	188-1	1
			15-6703-1	143-25	1				15-7348-11	188	1
			15-6703-10	143-26	1				15-7348-112	105-11	1
			15-7015	69	1				15-7348-114	23-26	2
				70					15-7348-115	23-25	2
			15-7017-31	75	1				15-7348-116	189	1
			15-7020	75	1				15-7348-117	23-14	1
			15-7023-103	58-4	1				15-7348-118	189-7	1
				59					15-7348-119	23	1
			15-7023-104	59	1				15-7348-12	189-1	1
			15-7023-31	59	1				15-7348-122	23-29	2
			15-7024-53	58-23	1					105-17	
				59					15-7348-124	23-30	2
									15-7348-125	23-28	2

AN 01-20EG-4

Section III
Numerical Parts List

U. S. Army	U. S. Navy	British	Part Number	Figure & Index No.	Total Qty.	U. S. Army	U. S. Navy	British	Part Number	Figure & Index No.	Total Qty.
			15-7348-13	189	1				15-7379-25	109	2
			15-7348-14	188-2	4				15-7382	111-1	NP
				189-2						112	
			15-7348-28	188-3	1				15-7384	142	NP
			15-7348-3	23-16	2				15-7384-1	142-45	1
				105-16					15-7384-13	142-43	1
			15-7348-38	188	1				15-7384-20	142-42	1
			15-7348-39	188-4	2				15-7384-8	142-44	1
			15-7348-4	105-12	1				15-7385	59-1	2
			15-7348-47	189-4	1				15-7385-2	59-2	2
			15-7348-5	105-13	1				15-7385-5	59	2
			15-7348-60	189	1				15-7388-2	59-8	1
			15-7348-66	188-6	1				15-7389	172	1
			15-7348-67	188-5	1				15-7389-1	172-23	1
			15-7348-72	188	1				15-7389-19	172-26	1
			15-7348-77	189-5	1				15-7389-20	172-27	2
			15-7348-82	189	1				15-7470-15	172-40	1
			15-7348-83	189	1				15-7470-3	172-31	1
			15-7348-84	188-9	3				15-7470-7	172-32	1
				189-10					15-7475	5	NP
			15-7348-85	188-11	3				15-7475-1	5	NP
				189-12					15-7475-11	5	1
			15-7348-89	188-7	2				15-7475-2	5-5	1
			15-7348-90	188-8	2				15-7476-64	9-14	NP
			15-7348-91	189-8	1					11	
			15-7348-92	189-9	1				15-7476-65	9	NP
			15-7348-93	189	1					11	
			15-7360-1	81	1				15-7476-66	11	1
			15-7360-11	81-25	1				15-7476-67	11	1
			15-7360-83	81	1					34	
				151					15-7476-80	11	1
				152						34	
			15-7360-84	151	1				15-7476-81	11	1
			15-7360-90	81	1					34	
				151					15-7478	58	NP
			15-7360-91	81	1				15-7478-2	58-25	1
			15-7366	131	NP				15-7478-3	58	1
			15-7366-13	131-12	1				15-7479-34	59	1
			15-7367	59	2				15-7483-106	11-5	2
			15-7367-49	59	2				15-7483-85	11-6	2
			15-7369	172	1				15-7486	151-21	1
			15-7372	68-26	NP				15-7486-1	151-22	1
				70					15-7513	78	NP
			15-7372-1	69-12	NP				15-7513-1	78	1
				70					15-7513-47	78	NP
			15-7372-2	69-25	NP				15-7513-48	78	1
				70					15-7513-54	78	1
			15-7372-22	70-5	4				15-7514	78	NP
				70-24					15-7514-1	78	1
				70-42					15-7514-47	78-59	1
				70-55					15-7514-48	78-60	1
			15-7372-23	70-7	4				15-7515	136	NP
				70-26					15-7515-1	136-7	1
				70-44					15-7515-11	136-19	1
				70-57					15-7515-12	136-14	1
			15-7372-4	70-1	1				15-7515-13	136-15	1
			15-7372-5	70-20	1				15-7515-14	136-11	1
			15-7372-6	70-38	1				15-7515-15	136-4	1
			15-7372-71	70-49	1				15-7515-16	136-3	1
			15-7372-84	70-50	1				15-7515-17	136-5	1
			15-7373	134	NP				15-7515-19	136-25	1
			15-7373-17	134-26	1				15-7515-24	136-12	1
			15-7373-19	134-27	1				15-7515-29	136-6	1
			15-7373-20	134-28	1				15-7515-3	136-35	1
			15-7373-21	134-29	1				15-7515-30	136-20	1
			15-7373-25	71-12	NP				15-7515-31	136-17	1
			15-7373-26	134	1				15-7515-32	136-18	1
			15-7373-27	134	1				15-7515-33	136-21	1
			15-7373-28	134	1				15-7515-34	136-2	1
			15-7374	77	NP				15-7515-35	136-1	1
			15-7374-1	77	NP				15-7515-36	136	1
			15-7374-2	77-1	1				15-7515-37	136	1
			15-7374-3	77	1					206-13	
			15-7374-58	77	1				15-7515-38	136-16	1
			15-7374-59	77	1				15-7515-39	136-24	1
			15-7376	59	2				15-7515-4	136-36	1
			15-7378	172-47	1				15-7515-40	136-8	1

Section III
Numerical Parts List

AN 01-20EG-4

U. S. Army	U. S. Navy	British	Part Number	Figure & Index No.	Total Qty.	U. S. Army	U. S. Navy	British	Part Number	Figure & Index No.	Total Qty.
			15-7515-42	136-33	1				15-7600-111	50-12	1
			15-7515-43	136	1				15-7600-112	50	1
			15-7515-44	136	1				15-7600-113	50	2
			15-7515-45	136	1				15-7600-117	50	2
			15-7515-46	136	1				15-7600-12	50-10	2
			15-7515-47	136	1				15-7600-125	139-6	1
			15-7515-48	136	1				15-7600-128	50-54	1
			15-7515-49	136	1				15-7600-129	50-51	1
			15-7515-50	136	1				15-7600-13	61-2	2
			15-7515-51	136	1				15-7600-130	50-49	1
			15-7515-52	136	1				15-7600-131	139-9	1
			15-7515-53	136-22	1				15-7600-132	139-5	1
			15-7515-6	136-34	1				15-7600-135	50-52	1
			15-7516	151-42	NP				15-7600-136	50-50	1
				152					15-7600-137	50-48	1
			15-7516-1	152	1				15-7600-138	139-12	1
			15-7516-4	152-16	1				15-7600-139	139-8	1
			15-7518	152	NP				15-7600-14	61-3	2
			15-7518-1	80-1	1				15-7600-140	50	1
				151-41					15-7600-141	50	1
				152-28					15-7600-142	50	1
			15-7518-4	80	1				15-7600-144	139-7	1
			15-7520	151	NP				15-7600-145	50	1
			15-7520-33	151	1				15-7600-146	50	1
			15-7520-35	151-34	1				15-7600-149	50-19	2
			15-7520-36	151	1				15-7600-15	61-4	2
			15-7522	134	NP				15-7600-150	50-18	2
			15-7524	151	NP				15-7600-151	50-21	2
			15-7524-1	151	NP				15-7600-152	50-22	2
			15-7533-1	134	NP				15-7600-159	50-3	2
			15-7533-11	134-14	4				15-7600-16	61-5	2
			15-7533-2	134	NP				15-7600-160	50-4	2
			15-7533-3	134	NP				15-7600-161	50-5	2
			15-7533-8	134-13	4				15-7600-162	50-6	2
			15-7536	79	NP				15-7600-17	61-6	2
			15-7536-1	79-28	1				15-7600-18	61-7	2
				96					15-7600-186	139-4	1
			15-7572	81-18	1				15-7600-187	139-2	1
			15-7573	77	1				15-7600-188	139-3	1
			15-7573-1	77	1				15-7600-189	139-1	1
			15-7573-10	77-5	2				15-7600-19	61-10	1
			15-7573-2	77-2	1				15-7600-190	139-22	1
			15-7573-3	77	1				15-7600-191	139-19	1
			15-7573-8	77-4	2				15-7600-192	139-11	1
			15-7575-32	108-15	1				15-7600-193	139-10	1
			15-7577	71-13	NP				15-7600-197	50-30	1
				134					15-7600-198	50-28	1
			15-7577-1	134-33	2				15-7600-20	61-11	1
			15-7577-3	134-34	2				15-7600-201	50	1
			15-7579	136	NP				15-7600-202	50	1
			15-7579-1	136	1				15-7600-203	50-27	4
			15-7579-13	136	1				15-7600-204	50-25	2
			15-7579-3	136	1				15-7600-205	50-31	1
			15-7579-4	136	1				15-7600-206	50-29	1
			15-7582-4	160	1				15-7600-209	50	1
			15-7582-5	160-1	1				15-7600-21	61-12	1
			15-7582-6	160-17	2				15-7600-210	50	1
			15-7588-1	73-45	NP				15-7600-212	50-26	2
				135					15-7600-213	61-8	2
			15-7588-2	73-46	NP				15-7600-22	61-13	1
				135					15-7600-220	139-35	1
			15-7588-3	135-36	2				15-7600-221	139-34	1
			15-7588-5	135-37	2				15-7600-222	130-36	1
			15-7590-4	107-27	1				15-7600-223	139	1
			15-7590-8	107-30	1				15-7600-224	139	1
			15-7595	78	NP				15-7600-225	50-44	1
			15-7595-1	78-38	1				15-7600-226	50-45	1
			15-7600	50	NP				15-7600-227	50	1
				61					15-7600-228	50	1
				139					15-7600-229	139-26	1
			15-7600-10	50-8	2				15-7600-23	61-14	1
			15-7600-105	50-13	1				15-7600-230	50	1
			15-7600-106	50	1				15-7600-231	139-27	1
			15-7600-107	50-14	1				15-7600-233	50-55	1
			15-7600-108	50	1				15-7600-234	50	1
			15-7600-109	50-15	1				15-7600-235	50-53	1
			15-7600-11	50-9	2				15-7600-236	50	1
			15-7600-110	50	1				15-7600-237	50	1

AN C1-20EG-4

Section III
Numerical Parts List

U. S. Army	U. S. Navy	British	Part Number	Figure & Index No.	Total Qty.	U. S. Army	U. S. Navy	British	Part Number	Figure & Index No.	Total Qty.
			15-7600-238	50	1				15-7615	59	NP
			15-7600-239	50	1				15-7615-1	59	NP
			15-7600-24	61-15	1				15-7617	58	NP
			15-7600-240	50	1				15-7617-2	58-15	1
			15-7600-241	50	1				15-7617-3	58	1
			15-7600-242	50	1				15-7624	181	4
			15-7600-245	50	1				15-7624-1	181-1	4
			15-7600-246	139-44	1				15-7624-16	181-3	8
			15-7600-247	50	1				15-7624-17	181-4	4
			15-7600-248	139-43	1				15-7624-2	181-2	4
			15-7600-249	50	1				15-7630	58-7	NP
			15-7600-25	61-16	1				60	60	1
			15-7600-250	139-30	1				15-7630-10	60-6	1
			15-7600-251	50	1				15-7630-3	60-7	1
			15-7600-252	50-42	1				15-7630-4	60-8	1
			15-7600-253	139-33	1				15-7630-5	60-9	1
			15-7600-254	50-43	1				15-7630-9	60-5	1
			15-7600-255	139-28	1				15-7631	58-8	NP
			15-7600-256	139-29	1				60	60	1
			15-7600-257	139-31	1				15-7631-1	60-10	1
			15-7600-258	139-32	1				15-7631-2	60-11	1
			15-7600-259	139	1				15-7632	58-3	NP
			15-7600-26	61-17	1				60	60	1
			15-7600-260	50-57	1				15-7632-1	58	NP
			15-7600-261	50-56	1				60	60	1
			15-7600-263	61	2				15-7632-14	60-3	1
				139					15-7632-15	60	1
			15-7600-27	50-11	2				15-7632-16	60-4	1
			15-7600-28	61-18	1				15-7632-17	60	1
			15-7600-29	50	1				15-7632-18	60-2	1
			15-7600-30	50	2				15-7632-19	60	1
			15-7600-34	50	2				15-7632-24	60	1
			15-7600-35	50	2				15-7632-25	60	1
			15-7600-39	50	2				15-7632-26	60	1
			15-7600-44	61-21	1				15-7632-27	60	1
			15-7600-45	61	1				15-7632-28	60	1
			15-7600-47	61-20	1				15-7632-29	60	1
			15-7600-56	50-33	1				15-7632-32	60	1
			75-7600-57	50-35	1				15-7632-33	60	1
			15-7600-58	50-37	1				15-7632-6	60-1	1
			15-7600-59	50-39	1				15-7632-7	60	1
			15-7600-60	139-38	1				15-7633	79	NP
			15-7600-61	139-24	1				15-7636	59	NP
			15-7600-62	139-21	1				15-7636-1	59	NP
			15-7600-69	50-32	1				15-7637	59	NP
			15-7600-70	50-34	1				15-7637-1	59	NP
			15-7600-71	50-36	1				15-7638	15	1
			15-7600-72	50-38	1				15-7638-1	15-10	1
			15-7600-73	139-37	1				15-7638-10	15	1
			15-7600-74	139-23	1				15-7638-11	15	1
			15-7600-79	50	1				15-7638-2	15-13	1
			15-7600-80	50	1				15-7638-3	15-9	1
			15-7600-81	50-40	1				15-7638-4	15-12	1
			15-7600-86	50	1				15-7638-5	15-11	1
			15-7600-87	50	1				15-7638-6	15	1
			15-7600-88	50-41	1				15-7638-7	15	1
			15-7600-89	139-20	1				15-7638-8	15	1
			15-7600-9	50-7	2				15-7638-9	15	1
			15-7600-90	139-25	1				15-7639	13	1
			15-7600-91	139-39	1				15-7639-1	13	1
			15-7600-92	139-40	1				15-7639-10	13	1
			15-7600-93	139-41	1				15-7639-11	13	1
			15-7600-94	139-42	1				15-7639-2	13-51	1
			15-7600-95	61-24	2				15-7639-3	13-49	1
				139-45					15-7639-4	13	1
			15-7600-96	61-22	1				15-7639-5	13-53	1
			15-7600-97	61-25	1				15-7639-6	13	1
			15-7600-98	61-26	1				15-7639-7	13-52	1
			15-7603	75	NP				15-7639-8	13	1
			15-7603-6	75	1				15-7639-9	13-50	1
				95					15-7647	29	1
			15-7606-1	78-1	1				15-7647-1	29	1
			15-7606-24	78-2	1				15-7647-8	29	1
			15-7606-26	78-3	1				15-7647-9	29	1
			15-7609	183	NP				15-7653-12	177	1
			15-7609-1	183-5	4				15-7653-2	177	1
			15-7609-4	183	4				15-7653-20	177	1

Section III
Numerical Parts List

AN 01-20EG-4

U. S. Army	U. S. Navy	British	Part Number	Figure & Index No.	Total Qty.	U. S. Army	U. S. Navy	British	Part Number	Figure & Index No.	Total Qty.
			15-7653-21	177-21	1				15-7689-111	122-27	1
			15-7653-31	177-22	4				15-7689-114	48-8	1
			15-7653-33	177	1				15-7689-116	48-9	1
			15-7653-34	177	1				15-7689-118	48-10	1
			15-7653-35	177	1				15-7689-119	48-11	1
			15-7653-36	177	1				15-7689-12	48	1
			15-7653-37	177	4				15-7689-122	48-12	1
			15-7653-41	177	1				15-7689-126	122-37	1
			15-7653-42	177	1				15-7689-127	122-41	1
			15-7653-43	177	1				15-7689-128	122-46	1
			15-7653-44	177	1				15-7689-130	48	1
			15-7654	34-25	NP				15-7689-132	48	1
				35-16					15-7689-139	122-24	1
			15-7654-1	34	NP				15-7689-14	48	1
				35					15-7689-140	122-28	1
			15-7654-3	35	1				15-7689-143	48-5	1
			15-7654-4	35	1				15-7689-145	48-6	1
			15-7655-5	182	14				15-7689-148	48-7	1
			15-7655-6	182	2				15-7689-15	48	1
			15-7655-7	182	2				15-7689-17	48	1
			15-7655-8	182	14				15-7689-173	48	1
			15-7662	181-7	2				15-7689-20	48	1
			15-7664	183	NP				15-7689-24	48	1
			15-7664-1	183	NP				15-7689-28	122-22	1
			15-7666-27	183	1				15-7689-29	122-26	1
			15-7666-28	183	1				15-7689-32	48-21	1
			15-7666-29	183-2	1				15-7689-34	48-22	1
			15-7666-30	183	1				15-7689-36	48-23	1
			15-7666-31	183	NP				15-7689-37	48-24	1
			15-7666-32	183	NP				15-7689-39	48-25	1
			15-7667	183	NP				15-7689-4	122-39	1
			15-7668-41	183	1				15-7689-40	48-26	1
			15-7668-42	183	1				15-7689-44	48-27	1
			15-7668-43	183-1	1				15-7689-48	48-28	1
			15-7668-44	183	1				15-7689-5	122-43	1
			15-7668-45	183	NP				15-7689-52	122-40	1
			15-7668-46	183	NP				15-7689-53	122-44	1
			15-7672	183	6				15-7689-54	122-49	1
			15-7672-5	183-30	2				15-7689-56	48	1
			15-7672-5	183-30	2				15-7689-58	48	1
			15-7673-1	183	1				15-7689-6	122-48	1
			15-7673-22	183	1				15-7689-60	48	1
			15-7673-23	183-33	1				15-7689-62	48	1
			15-7673-3	183-35	1				15-7689-63	48	1
			15-7673-4	183-32	1				15-7689-65	48	1
			15-7673-5	183-34	1				15-7689-68	48	1
			15-7674	183	1				15-7689-69	48	1
			15-7674-1	183	1				15-7689-73	122-21	1
			15-7674-2	183-24	1				15-7689-74	122-25	1
			15-7674-3	183	1				15-7689-77	48-13	1
			15-7674-4	183-25	1				15-7689-79	48-14	1
			15-7674-5	183	1				15-7689-8	48	1
			15-7675-22	183	1				15-7689-81	48-15	1
			15-7675-23	183	1				15-7689-82	48-16	1
			15-7675-24	183-27	1				15-7689-84	48-17	1
			15-7675-25	183	1				15-7689-85	48-18	1
			15-7675-4	183-26	1				15-7689-89	48-19	1
			15-7675-5	183	1				15-7689-90	48-20	1
			15-7681	177	NP				15-7689-94	122-38	1
			15-7681-1	177	NP				15-7689-95	122-42	1
			15-7681-4	177-14	2				15-7689-96	122-47	1
			15-7681-9	177-15	2				15-7689-98	48	1
			15-7682	177	NP				15-7772	26-4	NP
			15-7682-2	177-17	2					29	
			15-7682-6	177-18	2				15-7772-1	27-6	NP
			15-7682-7	177-19	2					29	
			15-7682-9	177-20	2				15-7772-4	29-3	4
			15-7688	15	NP				15-7773	26-5	NP
			15-7688-33	15	2					29	
				186					15-7773-1	27-5	NP
			15-7689-10	48	1					29	
			15-7689-100	48	1				15-7773-4	29	4
			15-7689-104	48	1				15-7774	131	NP
			15-7689-106	48	1				15-7771-2	127-35	2
			15-7689-110	122-33	1				15-7775	151-17	1

AN 01-20EG-4

Section III
Numerical Parts List

U. S. Army	U. S. Navy	British	Part Number	Figure & Index No.	Total Qty.	U. S. Army	U. S. Navy	British	Part Number	Figure & Index No.	Total Qty.
			15-7776	151-16	1				15-7975-167	9-1	1
			15-7777	151	NP					12	
			15-7781	160-42	NP				15-7975-168	9	1
				164						12	
			15-7781-1	160	NP				15-7975-81	2-1	1
				164						9	
			15-7781-2	164-1	1					11	
			15-7781-3	164	1				15-7975-82	2	1
			15-7781-4	164-2	1					9	
			15-7781-5	164	1					11	
			15-7781-6	164	1				15-7983	115	NP
			15-7781-7	164	1				15-7983-1	115	1
			15-7784	11	NP				15-7983-2	115-4	1
			15-7784-1	11	NP				15-7983-8	115-6	1
			15-7784-2	11-10	2				15-7985	111	NP
			15-7785	130-2	1				15-7985-14	111	1
			15-7786	130-1	1				15-7985-15	111	1
			15-7944	29	1				15-7985-16	111	1
			15-7944-5	29	1				15-7988-12	121-24	1
			15-7947	160	NP				15-7988-14	121-14	1
			15-7951-10	161	1				15-7988-19	121-31	1
			15-7951-11	161	1				15-7988-2	48-3	1
			15-7951-12	161	1				15-7988-21	121-11	1
			15-7951-13	161	1				15-7988-23	121-38	1
			15-7951-14	161	1				15-7988-24	121-9	1
			15-7951-3	161	1				15-7988-26	121-28	1
			15-7951-4	161	1				15-7988-27	121-39	1
			15-7951-5	161-3	1				15-7988-28	121-32	1
			15-7951-6	161	1				15-7988-29	121-33	1
			15-7951-7	161-2	1				15-7988-30	121-40	1
			15-7951-8	161	1				15-7988-31	121-29	1
			15-7951-9	161	1				15-7988-33	121-47	1
			15-7952-12	162-3	2				15-7988-34	121-48	1
			15-7952-13	162-2	1				15-7988-36	121-34	1
			15-7952-14	162	1				15-7988-4	48-2	1
			15-7952-21	162	1				15-7988-45	121-54	1
			15-7952-22	162	1				15-7988-46	48	2
			15-7952-27	162	1					121-36	
			15-7952-28	162	1				15-7988-48	48	1
			15-7952-3	162	1				15-7988-5	48-1	2
			15-7952-4	162	1					121-20	
			15-7953-10	161	1				15-7988-51	48	1
			15-7953-11	161	1				15-7988-58	121-52	1
			15-7953-12	161	1				15-7988-59	121-23	1
			15-7953-13	161	1				15-7988-7	121-18	1
			15-7953-14	161	1				15-7988-8	121-17	1
			15-7953-49	161	1				15-7988-9	121-16	1
			15-7953-50	161	1				15-7989	121	NP
			15-7953-9	161-1	1				15-7989-21	121-74	1
			15-7954	162-1	1				15-7989-22	121-75	1
			15-7954-15	162	1				15-7989-23	121-78	1
			15-7954-16	162	1				15-7989-24	121-80	1
			15-7954-17	162	1				15-7989-25	121-77	1
			15-7954-18	162	1				15-7989-26	121-68	1
			15-7954-21	162	1				15-7989-28	121	1
			15-7954-22	162	1				15-7989-29	121-82	1
			15-7955	161	NP				15-7989-30	121-83	1
				162					15-7989-5	121-70	3
			15-7957	162-20	1				15-7991-12	64-2	1
			15-7957-1	162	1				15-7991-13	64-5	1
			15-7957-10	162	1				15-7991-14	64-4	1
			15-7957-11	162	1				15-7991-18	64-3	1
			15-7958	161-13	1				15-7991-20	64-16	1
			15-7958-1	161	1				15-7991-21	64-13	1
			15-7958-11	161	1				15-7991-22	64-14	1
			15-7958-12	161	1				15-7991-24	64-18	1
			15-7970-1	181-56	24				15-7991-26	64	1
			15-7971-2	181-29	2				15-7991-27	64-1	1
			15-7971-3	181-20	2				15-7991-28	64	NP
			15-7975-122	2	1				15-7991-3	64-12	2
				9					15-7991-36	64-15	1
				11					15-7991-5	64-19	1
			15-7975-123	2	1				15-7993-103	68	1
				9					15-7994	15	NP
				11					15-7994-1	15	NP

**Section III
Numerical Parts List**

AN 01-20EG-4

U. S. Army	U. S. Navy	British	Part Number	Figure & Index No.	Total Qty.	U. S. Army	U. S. Navy	British	Part Number	Figure & Index No.	Total Qty.
			15-7994-2	15-3	2				15-8785-1	149	NP
			15-8027	176	4				15-8735-5	149	1
			15-8027-1	176-8	12				15-8785-6	149	1
			15-8027-3	176	4				15-8793	128	NP
			15-8522	26-9	NP				15-8796	131	NP
				28					15-9004	141	NP
			15-8522-1	27-9	NP				15-9266	98	NP
				28					15-9270	45-1	NP
			15-8522-10	28	1					46	
			15-8522-11	28	1				15-9270-1	45	NP
			15-8522-2	28	2					46	
			15-8522-4	28	1				15-9270-14	43	1
			15-8522-5	28	1				15-9270-15	46	1
			15-8522-6	28	1				15-9270-16	46	1
			15-8522-7	28	1				15-9270-17	46	1
			15-8522-8	28	1				15-9270-20	46	1
			15-8522-9	28	1				15-9270-6	46-1	1
			15-8524-2	176-11	12				15-9270-7	46	1
			15-8529	127	NP				15-9272	48	NP
			15-8529-1	127-1	1					121	
			15-8529-11	127	1					122	
			15-8538	87-1	NP				15-9272-100	121	1
				88-1					15-9272-101	121	1
				91					15-9272-102	48	2
				194-1						121	
				195-1					15-9272-103	48	1
			15-8538-1	91-1	1				15-9272-31	121-51	1
			15-8538-10	91	1				15-9272-33	121-53	1
			15-8538-11	91	1				15-9272-41	121-49	1
			15-8538-12	91	1				15-9272-72	121-41	1
			15-8538-16	91	1				15-9272-74	121-30	1
			15-8538-17	91	1				15-9272-85	121-45	1
			15-8538-2	91-27	1				15-9272-88	121-44	1
			15-8538-3	91-28	1				15-9272-89	121-42	1
			15-8541	26-8	NP				15-9272-92	121-50	1
				28					15-9272-93	121-43	1
			15-8541-1	27-10	NP				15-9272-96	121-8	1
				28					15-9272-97	121	1
			15-8541-10	28	1				15-9272-98	48	1
			15-8541-11	28	1				15-9272-99	48	1
			15-8541-2	28	2				15-9275	99-1	NP
			15-8541-4	28	1					100	
			15-8541-5	28	1				15-9275-3	100	1
			15-8541-6	28	1				15-9275-4	100	1
			15-8541-7	28	1				15-9275-5	100	1
			15-8541-8	28	1				15-9275-7	100	1
			15-8541-9	28	1				15-9293	163	NP
			15-8732-4	121-65	1				15-9469	39	NP
			15-8757-2	67-3	1					40	
			15-8757-3	67	1				15-9469-1	39-16	1
			15-8790	64-6	1				15-9469-13	39-17	1
			15-8761	67-14	1				15-9469-14	40-12	1
			15-8761-1	67	1				15-9469-19	39-12	2
			15-8765	65-54	NP					40-7	
				67					15-9469-2	40-11	1
			15-8765-1	67	1				15-9469-3	39-15	1
			15-8765-122	67-28	2				15-9469-4	40-10	1
			15-8765-132	67	1				15-9469-5	39-14	1
			15-8765-147	67	1				15-9469-6	40-9	1
			15-8765-151	67	1				15-9470	26	NP
			15-8765-16	67-26	2					27	
			15-8765-17	67-27	2					190	
			15-8769	128	NP					191	
				131					15-9470-1	190	1
			15-8769-11	128-2	1				15-9470-10	26-49	2
			15-8769-13	128-3	1					27-46	
			15-8769-7	128-14	1				15-9470-11	191-5	1
			15-8769-8	128-15	1				15-9470-124	26	1
			15-8774	81-3	1				15-9470-125	26	1
			15-8775	81-2	NP				15-9470-126	26	1
			15-8778	81	NP				15-9470-127	27	1
			15-8778-10	81	1				15-9470-128	27	1
			15-8778-5	81-4	1				15-9470-129	27	1
			15-8779	81-5	1				15-9470-13	191	1
			15-8785	149	NP				15-9470-131	27	1
									15-9470-133	27	1

AN 01-20EG-4

Section III
Numerical Parts List

U. S. Army	U. S. Navy	British	Part Number	Figure & Index No.	Total Qty.	U. S. Army	U. S. Navy	British	Part Number	Figure & Index No.	Total Qty.
			15-9470-134	27	1				15-9470-48	27	1
			15-9470-135	27	1				15-9470-49	26	1
			15-9470-136	26	1				15-9470-5	190-6	1
			15-9470-137	27	1				15-9470-50	26	1
			15-9470-138	27	1				15-9470-51	27-25	1
			15-9470-14	191	1				15-9470-58	27-38	1
			15-9470-142	26	1				15-9470-59	27-21	1
			15-9470-143	26-39	1				15-9470-60	199-11	1
			15-9470-144	191-14	1				15-9470-61	199-12	1
			15-9470-145	191	1				15-9470-632	26-33	1
			15-9470-146	191	1				15-9470-64	27	1
			15-9470-157	27	1				15-9470-68	27	1
			15-9470-158	27	1				15-9470-70	27	1
			15-9470-159	27	1				15-9470-8	190	1
			15-9470-161	27	1				15-9470-94	26	1
			15-9470-163	27	1				15-9470-95	26	1
			15-9470-17	191-8	1				15-9471	23	NP
			15-9470-192	190	2					105	
			15-9470-194	26-13	1					123	
			15-9470-195	26-14	1					189	
			15-9470-199	27-11	1				15-9471-1	105-1	1
			15-9470-2	191-7	1				15-9471-102	188	2
			15-9470-200	27-12	1				15-9471-103	189	2
			15-9470-201	27-13	1				15-9471-107	189	1
			15-9470-202	27-32	1				15-9471-108	188	1
			15-9470-203	27-31	1				15-9471-2	23-19	2
			15-9470-204	27-30	1				15-9471-38	23	2
			15-9470-206	191	1				15-9471-39	23	2
			15-9470-207	26-29	1					105	
			15-9470-208	26-30	1				15-9471-91	189	1
			15-9470-209	26-31	1				15-9471-92	189	1
			15-9470-217	26	2				15-9471-93	188	1
			15-9470-219	27	1				15-9471-97	189-6	1
			15-9470-220	27	1				15-9472	163	NP
			15-9470-221	27	1				15-9474	128	NP
			15-9470-222	27	1				15-9474-4	128-8	1
			15-9470-223	27	1				15-9476	177	NP
			15-9470-224	191	1				15-9497	58-24	NP
			15-9470-225	191	1					63-1	
			15-9470-226	26-35	1					190-7	
			15-9470-227	26-34	1				15-9497-1	63	1
			15-9470-229	199-13	1				15-9497-2	63-8	1
			15-9470-230	199-14	1				15-9579-43	82	1
			15-9470-231	27-20	1				15-9752	184	NP
			15-9470-232	27-19	1				15-9752-1	185	NP
			15-9470-233	27-18	1				15-9753	184	NP
			15-9470-234	27-17	1				15-9753-1	185	NP
			15-9470-235	27	1				15-9754	184	NP
			15-9470-236	191	1				15-9754-1	185	NP
			15-9470-237	26-11	1				15-9755	184	NP
			15-9470-238	26	1				15-9755-1	185	NP
			15-9470-239	26	1				15-9759	65-55	NP
			15-9470-24	26-40	1					82	
			15-9470-240	26	1				15-9759-149	82	1
			15-9470-241	26	1				15-9759-150	65	NP
			15-9470-242	26	1					82	
			15-9470-243	26	1				15-9759-2	82	1
			15-9470-244	27	1				15-9759-3	82	1
			15-9470-245	27	1				15-9759-8	82-2	1
			15-9470-246	27	1				15-9759-9	82	1
			15-9470-247	27	1				15-9760	128	NP
			15-9470-248	27	1				15-9760-16	128-16	2
			15-9470-249	27	1				15-9761	85	NP
			15-9470-250	26-12	1				15-9761-1	85	1
			15-9470-251	26	1				15-9761-12	85	1
			15-9470-254	26	1				15-9761-13	85	1
			15-9470-26	190-7	1				15-9761-14	85	1
			15-9470-27	190	1				15-9761-15	85	2
			15-9470-29	26-27	1				15-9761-2	85	1
			15-9470-30	26-26	1				15-9761-3	85	1
			15-9470-31	26-25	1				15-9770	34	NP
			15-9470-34	190	1				15-9770-1	34	NP
			15-9470-4	27-45	1				15-9770-5	32-22	8
			15-9470-41	191	1				15-9771	33	NP
			15-9470-43	27-41	1				15-9771-1	33	NP
			15-9470-44	27-36	1				15-9771-10	64-10	1
			15-9470-45	27-40	1				15-9771-4	33-23	8
			15-9470-47	27	1				15-9783-10	35-2	4

**Section III
Numerical Parts List**

T.O. 1B-17G-4

U. S. Army	U. S. Navy	British	Part Number	Figure & Index No.	Total Qty.	U. S. Army	U. S. Navy	British	Part Number	Figure & Index No.	Total Qty.
			15-9783-12	35	4				2CD2934	135-71	1
			15-9784-10	36	2				2CD2948	135-68	1
			15-9784-11	36	2				2CD5016	117-12	1
			15-9784-12	33-9	2					135-67	
				34-9						205-3	
				36					2CD5033	135-70	2
			15-9784-13	33	2				2CD5038	135-72	1
				34					2D6928-4	30-7	4
				36					2E3078	29	4
			15-9784-19	36	2					44	
			15-9784-2	36-12	2				2F1-1-3073	28	2
			15-9784-21	33	2				2F1-1-3073-1	28	2
				34					2F1-1-3074	28	2
				36						28-1	
			15-9784-22	33	2				2F1-3074-1	28	2
				34					2F1-6-1426	24-33	1
				36					2F1-6-1426-1	24	1
			15-9784-28	33	2				2F1-6-1778	106-38	1
				34					2F1-6-2831	24-1	1
				36					2F1-6-2831-1	24	1
			15-9784-29	33	2				2F1-6-2832	24-2	1
				34					2F1-6-2832-1	24	1
				36					2F1-6-2833	24-3	1
			15-9784-9	36	2				2F1-6-2833-1	24	1
			15-9785-12	34-12	1				2F1-6-2834	24-4	1
			15-9785-13	34	1				2F1-6-2834-1	24	1
			15-9787-3	35-9	4				2F1-6-2835	24-5	1
			15-9790	33-11	NP				2F1-6-2835-1	24	1
				35					2F1-6-2836	24-6	1
			15-9790-1	35	NP				2F1-6-2836-1	24	1
			15-9795	34-13	NP				2F1-6-2837	24-18	1
				35-1					2F1-6-2837-1	24	1
			15-9795-1	35	NP				2F1-6-2838	24-19	1
			15-9796	17-43	NP				2F1-6-2838-1	24	1
				31-27					2F1-6-2839	24-20	1
				32-27					2F1-6-2839-1	24	1
				33					2F1-6-3602	24-32	1
				34					2F1-6-3602-1	24	1
				39-62					2F1-6-3603	24-34	1
				40-63					2F1-6-3603-1	24	1
			151	111-78	1				2F1-6-7152	24	1
				121-79					2F1-6-7152-1	24	1
				199-10					2F1-6-7153	24	1
			15465-5D	47-6	2				2F1-6-7153-1	24	1
			15465-6D	47-7	2				2F1-6-7154	24	1
			165-22-315E	111-52	2				2F1-6-7154-1	24	1
			1660	134-7	1				2F1-6-7241	24	1
			1660-197	134-6	1				2F1-6-7241-1	24	1
			17-7954-1	162	1				2F1-6-7242	24	1
			17269	135-61	5				2F1-6-7242-1	24	1
			17556	29	4				2F1-6-7243	24	1
				44					2F1-6-7243-1	24	1
			17588-4	41-14	1				2F1-6-7244	24	1
			1779M1	76	118				2F1-6-7244-1	24	1
			181-22	126-29	4				2F1-6-7245	24	1
			18174	135-58	2				2F1-6-7245-1	24	1
			1928E	143-27	1				2F1-6-7246	24	1
				203-2					2F1-6-7246-1	24	1
			2-1868	53-55	1				2F1-6-7247	24-18	1
			2-1885	3	NP				2F1-6-7247-1	24	1
				44-14					2F1-6-7248	24	1
			2-1885-1	3	NP				2F1-6-7248-1	24	1
				44					2F1-6-7249	24-20	1
			2-1885-2	3-5	2				2F1-6-7249-1	24	1
			2-1885-3	3	1				2F1-6-8459-1	28	1
			2-1885-4	3	1				2F1-6-8459-2	28	1
			2-1942-18	121-22	1				2F1-6-8459-3	28	1
			2-1960-6	53-48	1				2F1-6-8459-4	28	1
			2-1969	53-46	1				2F6-1778-1	106	1
			2-1970	53-43	1				2K148	82-60	2
			2-1971	53-45	1				2R6697	29-1	4
			2-2080	17-38	1					44-35	
			2-2080-1	17	1				20122	135-28	2
			2-2092	53-72	2				2028	111-71	2
			2-28836	43-11	2					111-76	
			2-639-6-23D1	125-33	1				203-12L	126-19	4
			2CC1B4	109	4				203-15	126-30	4
			2CD2888	135-69	1				21-1022-8-5	73	4

T. O. 1B-17G-4

Section III
Numerical Parts List

U. S. Army	U. S. Navy	British	Part Number	Figure & Index No.	Total Qty.	U. S. Army	U. S. Navy	British	Part Number	Figure & Index No.	Total Qty.
			21-2136	92	4				21-6294-4	174-8	2
			21-2136-2	92	4					175-7	
			21-2169	92-18	4				21-6294-5	174-9	2
			21-2226-2	92-27	2					175-8	
			21-2362-72-56	92-11	8				21-6294-6	175-6	1
			21-2363-128-86	54-8	1				21-6294-7	175	1
			21-2363-48-17	92-39	4				21-6305	174-14	2
			21-2364-40-26	94-23	2					175-16	
			21-2364-48-33	93-7	1				21-6306	174-15	2
			21-2364-72-56	92-14	4					175-17	
			21-2366-32-11	110	4				21-6355	174	1
				116					21-6355-1	174-10	1
			21-2366-58-44	7-17	2				21-6355-3	174-11	2
			21-2366-68-26	94-22	1					175-10	
			21-3339-106	140-2	1				21-6355-6	175	1
			21-3753	92-5	4				21-6355-7	175-9	1
			21-3754-1	92-7	4				21-6356	174-16	2
			21-3894-24-13	143	4					175-18	
			21-4213-6-4	47-8	4				21-6359	174-19	2
			21-4585-42-12	92-36	2					175-21	
			21-5136	168-15	2				21-6377-6-3	174-20	8
			21-5179	92-33	8					175-22	
			21-5179-2	92-34	8				21-6385-80-45	155-21	2
			21-5538	159-13	2				21-6420	174-2	2
				159-17						175-2	
			21-556-1	166-21	2				21-6588-80-21	154-20	2
			21-5566	5-10	52				21-6671-14H3	33-21	16
			21-5566-1	3-20	16					34-20	
				5-11					21-6708-2	12-31	8
			21-557	166-22	2					12-39	
			21-5584	160-15	4				21-6717	174-3	1
			21-5618-3	67-21	2				21-6718-3	175-3	2
			21-5641	84-11	4				21-6758	75-18	1
			21-5743	5-7	60					96-11	
			21-5833	6-1	1				21-6854-2	12-38	6
			21-5833-1	6	1				21-6867	169-11	6
			21-5833-2	6	1					169-39	
			21-5833-3	6	1				21-6926	169-28	2
			21-5834	6-2	1				21-6928-50	96-22	1
			21-5834-1	6	1				21-6928-75	96-10	1
			21-5834-2	6	1				21-6947-1	169-29	4
			21-5834-3	6	1				21-6948	169-2	2
			21-5835	6-4	2				21-6948-3	169-13	6
				6-6						169-41	
			21-5835-1	6	2				21-6966-1	159-4	1
			21-5835-2	6	2				21-6974-1	159-7	2
			21-5835-3	6	2				21-6979	159-8	1
			21-5836	6-5	2				21-7007-5	73-38	1
				6-7					21-7007-6	73-35	1
			21-5836-1	6	2				21-7008-5	73-33	1
			21-5836-2	6	2				21-7013	73	1
			21-5836-3	6	2				21-7013-1	73-50	1
			21-5931-4	94-7	1				21-7020	73	1
			21-5943	94-12	2				21-7021	73	1
				103-20					21-7030-1	73-40	1
			21-5960	84-7	4				21-7196-14	93-6	1
			21-5963	84-6	4				21-7312-5	7-15	2
			21-6092-45-31	172-13	1				21-7312-6	7-16	2
			21-6094	3-30	2				21-7440-3	47	6
			21-6094-1	3-31	2					47-2	
			21-6107	3-14	2				21-7468	93-8	1
			21-6107-1	3-15	2				21-7484	68-62	2
			21-6108	3-16	2					69-24	
			21-6108-1	3-17	2				21-7484-2	68-63	1
			21-6240-1	67-24	2				21-7512	69-23	1
			21-6264-9	8-11	10				21-7606	110	1
				8-12					21-7606-1	111-23	1
				8-13					21-7829	171-25	1
				8-14					21-7859	112-3	1
				8-15					21-8364-4	113-5	2
				8-16					21-8440	169-4	2
				8-17					21-8444	171-6	1
				9-18					21-8645-20-10	13-30	4
				8-19					21-8891-4	113	2
				8-20					21-9064	68-52	1
			21-6294	174	1				21-9064-1	68-53	1
			21-6294-3	174-7	1				21-9083	167-36	2
									21-9084	167-51	2

Section III
Numerical Parts List

AN 01-20EG-4

U. S. Army	U. S. Navy	British	Part Number	Figure & Index No.	Total Qty.	U. S. Army	U. S. Navy	British	Part Number	Figure & Index No.	Total Qty.
			21-9212	164	2				2150H	28-16	8
			21-9233	164-8	2					28-20	
			21-9352	84-17	2				215804	180-14	12
			21-9380	91-35	1				215807	180-2	36
			21-9380-1	91-36	1				215808	180-6	36
			21-9370	84-14	2				215810	180-8	36
			21-9373-81-75	120-17	1				215811	180-7	36
			21-9388	166-26	2				215812	180-5	36
			21-9389-1	166-27	2				215815	180-4	36
			21-9391	166-28	2				215820	180-11	72
			21-9414	166-29	2				215821	180-10	As Req.
			21-9415	166-30	4				215822	180-3	144
			21-9417	159-3	1				215827	180	36
			21-9441-100	96-19	1				217-11	137-15	4
			21-9441-150	96-6	1				217-15	137-13	4
			21-9443-8	96-4	1				217-16	137-17	4
			21-9444	96-9	2				217-3C	137-14	4
				96-21					217-5J	137-16	4
			21-9457	156-12	1				217HA	52-8	4
			21-9490-1	156	1					137-12	
			21-9491	154-30	2					206-9	
				156-32					2181	134-8	18
			21-9492	154-27	2				22K1-048	175	1
				156-28					225	146-19	3
			21-9511	156	1					146-23	
			21-9511-1	156	1				24-1164	116-23	2
			21-9531-1	94	4					110-3	
				100-7					24335	55-15	1
				103-18					24412	55-14	1
			21-9531-6	94	1				24433	55-29	2
			21-9533	94-14	2				25-1F	78-40	1
				103-16					25-1G	78-29	1
			21-9574	102-7	4				25-1H	73-7	1
			21-9579	156-20	1				25-1J	78	1
			21-9586	89-16	1				25-1L	78-47	1
				97-29					25-1M	78-31	1
			21-9587-5	154-6	1				25-1N	73	1
			21-9588	168-33	4				251-2GT8D	121-76	1
			21-9588-10	166-20	2					125-13	
			21-9588-11	18	12					199-9	
			21-9588-12	166-31	2				252-5	126-23	1
			21-9588-4	18	2				252-7C	126-25	1
			21-9588-6	167-45	2				25286	55-31	1
			21-9588-7	167-47	2				25320	55-25	1
			21-9588-8	18	8				25321	55-26	1
			21-9588-9	44-19	8				25444	55-27	1
			21-9672	155-8	5				25449	55-28	1
			21-9677	155-13	3				25473	55-32	1
			21-9677-1	155	2				25547	55-33	1
			21-9678	155-31	5				25660	55-20	2
			21-9682	155-18	5				25663	55-21	2
			21-9683	155-10	5				25664	55-22	2
			21-9751-16	62	NP				25665	55-23	2
				154					25667	55-35	1
				172					25668	55-36	1
			21-9751-20	169	NP				26488	55-16	1
			21-9751-8A	154-42	1				2660	23-10	4
			21-9759	83-20	1					44-34	
			21-9824	155-11	5					198-3	
			21-9838	168-18	2				270B16	154	8
			21-9839	168	2				270B8	136-28	1
			21-9839-1	168-21	2				2700-20	169-15	10
			21-9839-2	168-20	2					169-25	
			21-9839-3	168-17	2					169-43	
			21-9839-4	168-19	2					169-52	
			21-9841	168-28	2				27250	54-36	2
			21-9860	155-32	5					55-13	
			21-9861	155-30	5					121-72	
			21-9862	155	4					199-7	
			21-9862-1	155-26	6					203-4	
			21-9879	156-23	1				27383	55-19	1
			21-9880	156-22	1				275	111-66	2
			21-9881-1	156	1					116-13	
			21-9882	156-25	1				289000	179	NP
			21-9885	94-5	1					180	
			21-9886	155-25	10				289001	180-15	4
			21-9890	156-11	1				2980-40	142-3	2
			21-9904	94-15	1					142-5	

AN 01-20EG-4

Section III
Numerical Parts List

U. S. Army	U. S. Navy	British	Part Number	Figure & Index No.	Total Qty.	U. S. Army	U. S. Navy	British	Part Number	Figure & Index No.	Total Qty.
			3-10080-2	95-17	1				3-11746-2	3-35	2
				171-7					3-11760	165	2
				171-23					3-11760-1	165	2
			3-10298	166-19	2				3-11760-2	165	2
			3-10475-3	50-47	2				3-11770	72-11	1
			3-10519-3	50-46	6					154-47	
			3-10594	111-45	1				3-11770-1	72	1
			3-10758	135	2					154-48	
			3-10758-1	135-56	2				3-11771	72-12	1
			3-10758-2	135-57	2					154-45	
			3-10812	100-4	2				3-11771-1	72	1
			3-10813-1	100-6	1					154-46	
			3-10814	100-5	1				3-11810	101-35	1
			3-10826	113	NP				3-11810-1	101-12	1
			3-10826-1	113	NP				3-11811	101-34	1
			3-10826-6	113-14	2				3-11811-1	101-17	1
			3-11002	103-9	2				3-11812	101-33	1
			3-11002-2	103-7	2				3-11812-1	101-21	1
			3-11002-4	103-25	3				3-11813	101-32	1
			3-11002-6	101-50	8				3-11813-1	101-24	1
			3-11002-8	103-27	3				3-11852	66	NP
			3-11003	104-11	4				3-11852-3	66-30	1
			3-11003-2	104-15	2				3-11852-4	66-33	1
			3-11003-4	104-3	8				3-11852-5	66	1
			3-11003-6	104-4	10				3-11852-6	66-32	1
			3-11003-8	104-7	6				3-11852-7	66-29	1
			3-11130-11	101-47	1				3-11854	14-33	2
			3-11130-12	101-42	1				3-11866	7-4	1
			3-11133-11	66-36	1				3-11866-1	7	1
			3-11133-18	103-32	1				3-11870	91-31	4
			3-11133-19	103-29	1					91-38	
			3-11133-20	103-38	1				3-11905	95-4	1
			3-11133-21	103-45	1				3-11906	95-1	1
			3-11133-22	66	1				3-11906-1	95-2	1
			3-11138-8	103-40	1				3-11908	95-3	1
			3-11138-9	103-44	1				3-11957	120-14	4
			3-11146-11	102-20	1				3-11991	138-37	4
			3-11146-7	102-40	1				3-11996-15	166-4	2
			3-11146-8	102-19	1				3-11999-5	166	NP
			3-11147-10	102	1				3-11999-6	166	NP
			3-11147-7	102-39	1				3-12000-4	166	NP
			3-11147-8	102-22	1				3-12003-1	186-18	1
			3-11147-9	102	1				3-12003-2	186-12	1
			3-11257	61-23	1				3-12003-4	186-13	1
			3-11330	143-48	1				3-12004	186-13	1
			3-11351	114-5	1				3-12018	142	NP
			3-11370	169	1				3-12018-1	142-15	1
			3-11370-4	169-57	1				3-12023	110	2
			3-11388	142-37	1					116-20	
			3-11388-5	142-36	1				3-12023-4	116	1
			3-11410	142-38	1				3-12038-1	66-37	1
			3-11413	142-46	1				3-12038-3	66	1
			3-11424	142-39	1				3-12057	187-14	2
			3-11425	142-40	1				3-12057-1	187-12	2
			3-11426	140-67	2				3-12062-38	106	4
				142-41					3-12062-40	106	4
			3-11477	142-13	1				3-12071	186-20	1
			3-11579	120-22	1				3-12071-1	186	1
			3-11579-1	120-23	1				3-12085	37-5	1
			3-11579-2	120-24	1				3-12085-1	37	1
			3-11579-3	120-25	1				3-12085-3	37-6	2
			3-11579-5	120	4				3-12087	20	2
			3-11624-8	101-46	1				3-12087-2	20	2
			3-11624-9	101-44	1				3-12087-4	20	2
			3-11717	33-35	36				3-12087-6	20	2
				34-29					3-12087-8	20-6	2
			3-11720	10-32	4				3-12090	186-17	2
			3-11720-1	10-14	4					186-19	
			3-11721	3-25	4				3-12090-1	186-14	3
			3-11721-1	3-40	4					187-13	
			3-11733	19-7	1					187-15	
			3-11738	11	NP				3-12090-13	187	1
			3-11738-1	11	NP				3-12090-14	187	1
			3-11745	3-18	1				3-12090-2	186-21	8
			3-11745-1	3	1					187-17	
			3-11745-2	3-34	2				3-12090-4	37-10	2
			3-11746	3-19	1				3-12090-6	68-22	3
			3-11746-1	3	1					68-48	

Section III
Numerical Parts List

T.O. 1B-17G-4

U. S. Army	U. S. Navy	British	Part Number	Figure & Index No.	Total Qty.	U. S. Army	U. S. Navy	British	Part Number	Figure & Index No.	Total Qty.
				68-54					3-13502	37	NP
				159					3-13503	115	NP
			3-12090-8	39-53	1				3-13503-4	115-27	1
			3-12090-9	40-56	1				3-13504-13	187-11	1
			3-12098-3	2-40	4				3-13507	80-31	1
			3-1210-2	186-22	2				3-13513	59	1
			3-1210-4	186	2				3-13513-1	59	1
			3-12106	45-17	2				3-13514	80-29	1
			3-12170	37-11	2				3-13516	62-15	1
			3-12210	187-18	4				3-13516-1	62	1
			3-12211	65	NP				3-13519-1	152-3	1
			3-12211-1	65	NP				3-13519-2	152-2	1
			3-12211-5	65-9	1				3-13519-3	152-9	1
			3-12211-7	65-10	1				3-13519-5	152-1	1
			3-12211-8	65	1				3-13527	80-4	2
			3-12212	39-58	1				3-13530	186-10	1
			3-12212-1	40-61	1				3-13531-5	80-14	1
			3-12229	17-23	2				3-13531-7	80	1
			3-12229-4	17-8	2				3-13532	151-3	1
			3-12291	17-11	4				3-13532-1	151	1
				17-33					3-13533-8	160-11	1
			3-12292	17-14	2				3-13534	81-21	1
			3-12295	17-29	2				3-13537	173-4	1
			3-12312	17-31	2				3-13540	173-3	1
			3-12313	17-40	2				3-13541	79-3	1
			3-12408	69-32	1				3-13544	163-29	1
				184-4					3-13545-3	163-25	1
			3-12480	94-9	1				3-13546-1	163-18	1
			3-12481-27	178-3	8				3-13551	44	NP
				178-18					3-13551-1	44	NP
				178-34					3-13552	79	NP
			3-12481-35	178-5	7				3-13555	173	1
				178-20					3-13558-8	160-10	1
				178-36					3-13564	127	NP
			3-12481-43	178-11	6				3-13564-2	127-40	1
				178-22					3-13572	62-17	1
				178-38					3-13572-3	62	1
			3-12485	17-1	4				3-13575	79-30	1
				17-16					3-13577	173-10	1
			3-12486	17-7	4				3-13584	75-15	1
				17-22						95-14	
			3-12487	17-6	4				3-13594	37	NP
				17-21					3-13594-1	37	NP
			3-12576	143-2	3				3-13598	84	1
				143-21					3-13600-1	81-24	1
			3-12577	143-1	1				3-13601	160-20	1
			3-12787-3	129	NP				3-13601-1	160-21	1
			3-12788-6	184-7	2				3-13613-11	24-22	4
				185-9						24-28	
			3-12921	110	NP					24-40	
			3-12926	47-3	1					24-47	
			3-12964	47-4	1				3-13613-12	24-8	6
			3-12974	75-8	2					24-14	
			3-12988	171-3	1					24-40	
			3-12996	115-20	2					24-47	
			3-12999	144	NP					106-36	
				115					3-13613-13	24-40	2
			3-12999-2	114-30	3					24-47	
				115-12					3-13618	75-16	1
			3-1300-5	25-17	2					96-13	
			3-13001	101-13	2				3-13625	79-29	1
			3-13006	172-30	1					96-25	
			3-13009	44-2	1				3-13626	114	NP
			3-13370	114-9	1				3-13627	142	NP
			3-13371	172-9	1				3-13627-1	142-12	1
			3-13374	113	NP				3-13628-2	78-34	1
			3-13374-1	113-12	1				3-13655	172-8	1
			3-13379	147-28	2				3-13657	81	1
			3-13451-5	25-16	2				3-13662	107-8	2
			3-13453-5	25-14	2					107-13	
			3-13454	71-1	1					136-77	
				88-8					3-13663	106-39	2
				89-7					3-13665	78	NP
			3-13454-1	71	1				3-13665-1	78-57	1
				88-9					3-13675	147-11	1
				89-8					3-13705	59-12	1
			3-13457-5	25-15	2				3-13714	78	NP
			3-13467-5	25-40	1				3-13714-1	78-53	1
			3-13486	92-22	2				3-13718	60-12	1
			3-13490-4	25-38	1				3-13720	60-13	1
			3-13491-4	25-37	1				3-13721	78-17	1

U. S. Army	U. S. Navy	British	Part Number	Figure & Index No.	Total Qty.	U. S. Army	U. S. Navy	British	Part Number	Figure & Index No.	Total Qty.
			3-13725	29-4	8				3-14245-1	106	2
			3-13725-7	29-8	8				3-14247	106-7	2
			3-13730	63-13	1				3-14248	106-4	2
			3-13733	83-35	1				3-14249-4	12-3	1
			3-13733-1	83-36	1					31-26	
			3-13737-4	78-28	1				3-14249-5	12	1
			3-13740-1	66	NP					32-26	
			2-13740-3	66	1				3-14535	123-12	2
			3-13742	182	14				3-14536-2	123-2	1
			3-13742-2	182-50	14				3-14536-3	123-11	1
			3-13742-3	182	14				3-14537	123-5	1
			3-13742-4	182	14				3-14537-2	123-7	1
			3-13750	182	2				3-14654	174-17	2
			3-13750-2	182-15	2					175-19	
			3-13750-3	182-31	2				3-14658	25-42	6
			3-13750-4	182	2				3-14660	162-28	2
			3-13764	192-15	4				3-14664	161-19	4
			3-13765	192-16	4					162-26	
			3-13766	192-8	4				3-14665	161-18	1
			3-13767	192-2	8				3-14665-1	181	1
			3-13768	192	4				3-14667	40	1
			3-13769	192-12	4				3-14669	41-17	1
			3-13791	182	32				3-14671	42-16	1
			3-13791-1	182-10	36				3-14673	40-54	1
				182-26					3-14679	162-25	1
				182-48					3-14679-1	162	1
			3-13796-47	178-24	3				3-14681-1	39	2
				178-40						40	
			3-13796-51	178-7	2				3-14681-2	39	2
				178-26						40	
			3-13796-53	178-28	1				3-14683	161-21	2
			3-13797	149-16	6				3-14686	110-12	4
				151-23						110-30	
			3-13802	183	2					114-2	
			3-13802-1	183	2					115-9	
			3-13802-4	183-20	2				3-14853	123-6	4
			3-13802-5	183-18	2				3-14902	176-9	36
			3-18303	183	2				3-14908-2	182-7	72
			3-18303-1	183	2					182-23	
			3-18303-10	183-10	2					182-45	
			3-18303-11	183-12	2				3-14911	181	48
			3-18303-2	183	2				3-14911-2	181-9	48
			3-18303-3	183	2					181-18	
			3-18303-8	183-14	2					181-27	
			3-18303-9	183-16	2					181-36	
			3-18306-11	106-37	2					181-45	
			3-13901	25-27	1					181-54	
			3-13902	25-26	1				3-14912-2	176-18	40
			3-13910	143-72	1					182-57	
			3-13913	33-37	2				3-14928-1	176-12	4
			3-13923	143-7	2				3-14933	28-4	12
				143-65					3-14934	121-61	1
			3-13930	64-11	8				3-14953	172-44	1
				64-36					3-14954	172-38	1
				67-25					3-14985	28-5	12
			3-13932-15	67-17	2				3-14987	81-12	1
			3-13932-23	67	NP				3-14988-2	127	NP
			3-13932-24	67	NP				3-14997	14-4	3
			3-13832-25	67-16	1				3-14997-1	14	3
			3-13932-26	67	1				3-15100	181	32
			3-13934	143-52	1				3-15101	176	4
			3-13937-1	164-22	2				3-15101-2	176	4
			3-13937-2	164-21	2				3-15101-3	176-14	4
			3-13944	127	NP				3-15101-7	176-13	4
			3-14078	151-18	1				3-15101-8	176	4
			3-14078-1	151	1				3-15102	176	72
			3-14080	111	NP					182	
			3-14217	162	1				3-15105	127	1
			3-14217-1	162	1				3-15106	127	1
			3-14228-2	109-4	1				3-15109-2	155-4	3
			3-14230	134-10	1				3-15109-3	155	2
			3-14232	162-19	2				3-15117	174-13	1
			3-14232-1	162-18	2				3-15118	168-24	2
			3-14235	162-14	1				3-15122	20-10	10
			3-14235-1	162	1				3-15124	168-25	2
			3-14243	92-23	2				3-15131	115-3	1
			3-14243-1	93	2				3-15137	115	NP
			3-14245	106-19	2				3-15152	163-3	1

Section III
Numerical Parts List

T.O. 1B-17G-4

U. S. Army	U. S. Navy	British	Part Number	Figure & Index No.	Total Qty.	U. S. Army	U. S. Navy	British	Part Number	Figure & Index No.	Total Qty.
			3-15152-1	163-4	1				3-16987-4	90-9	1
			3-15159-5	128-5	1				3-16989	36-20	4
			3-15159-6	128-7	1				3-16989-1	36	4
			3-15165	127	NP				3-17015	155-39	1
			3-15173	141-80	2				3-17396-47	178-9	1
			3-15184	88-10	NP				3-18044	157-14	2
				89-17					3-18209	65-44	6
				193-4					3-18216	108-44	1
				194-3					3-18228	108-43	1
			3-15185	87-6	NP				3-18261	59-39	1
				98					3-18262	59-34	1
				195-2					3-18263	59-33	1
			3-15190	172-45	1				3-18264-1	59-35	1
			3-15190-1	172-46	1				3-18266	80-35	1
			3-15192	111	2				3-18266-1	80-36	1
			3-15193	106	4				3-18269	80-37	1
			3-15193-1	106	4				3-18279	63	NP
			3-15195	98	NP				3-18279-1	63-12	1
			3-15520-2	102-10	4				3-18288	104-12	1
			3-15521-10	159-15	4				3-18502	33-10	4
			3-16112-6	106	1					34-10	
			3-16114-3	106	2				3-18518	177-12	1
			3-16114-4	106	2				3-18518-2	177	2
			3-16114-5	106-29	1				3-18518-3	177	2
			3-16114-6	106	1				3-18541	127	1
			3-16120	78-7	1				3-18549	109-18	1
			3-16147	163-48	1				3-18559-3	121	4
			3-16147-1	163-49	1				3-18572	14-28	1
			3-16151	163-46	1				3-18572-1	14	1
			3-16152	163-45	1				3-18924	108-41	1
			3-16160	65-37	2				3-18925	65-51	2
			3-16164	65	NP				3-18926	110-34	1
			3-16164-1	65	NP				3-18943	65-49	2
			3-16164-2	65	1				3-18944	108-39	1
			3-16164-3	65	1				3-19010	90-8	1
			3-16171	108-40	1				3-19026	83-28	1
			3-16445-2	159-11	1				3-19030	24-12	4
			3-16456-4	45-4	4					24-26	
				46-12					3-19041	115	1
			3-16478	106-35	2				3-19046	24-11	4
			3-16601	157-13	1					24-25	
			3-16696	110	3				3-19058	70-13	2
				111						163-38	
				114					3-19251	131	NP
			3-16704	65-43	1				3-19251-1	131-17	1
			3-16708-2	108	2				3-19267	166-50	2
			3-16901	60-16	1				3-19275	19-35	24
			3-16917	177-10	1					20-28	
			3-16919-5	45-5	4					97-2	
				46-13					3-19279	134	NP
			3-16922	190-9	1				3-19279-1	134	1
			3-16923	191-10	1				3-19280	147-37	1
			3-16928	39	4				3-19288	46-7	1
				40					3-19288-1	46	1
				41-29					3-19290	76-32	4
				42-26					3-19290-1	76-49	4
			3-16933-1	85-8	3				3-19291	147-59	1
			3-16934	85	1				3-19509	107-9	1
			3-16944	159-22	2				3-19510	121-60	1
			3-16946	111-51	1				3-19530	113	NP
			3-16947	63-11	1				3-19542	141-81	1
			3-16950	177	6				3-19542-1	141-82	1
				184-12					3-19577	147-67	1
				185-13					3-19578	147-66	1
			3-16953	113-8	1				3-19578-1	147-70	1
			3-16969	36-13	2				3-19579	147-60	1
			3-16969-1	36	2				3-19580	147-61	1
			3-16971	36-14	4				3-19591	158-17	2
			3-16975	36-16	2				3-19593	21-38	17
			3-16975	63-9	1					21-55	
			3-16978	63-5	1					22-26	
			3-16979	82-39	2				3-19597	158-26	1
			3-16985	36-18	1				3-19597-1	158-14	1
			3-16985-1	36	1				3-19598	158-15	1
			3-16986	36-19	2				3-19599	113	NP
									3-19603	158-19	1
									3-19612	158-18	1

U. S. Army	U. S. Navy	British	Part Number	Figure & Index No.	Total Qty.	U. S. Army	U. S. Navy	British	Part Number	Figure & Index No.	Total Qty.
			3-19613	158-27	1				3-20750	78-25	2
			3-19617	158-24	1				3-20754	115	NP
			3-19627-10	111	1				3-20755-5	106	1
			3-19627-6	111-74	1				3-20757	24-41	2
			3-19628	130-33	1					24-48	
			3-19628-11	130-58	1				3-20757-1	24	2
			3-19628-6	130-57	1				3-20757-2	24	2
			3-19629	130-34	1				3-20757-3	24	2
			3-19635	158-11	2				3-20757-7	24-13	4
			3-19636	158-9	1					24-27	
			3-19636-1	158-10	1				3-20783	45-26	2
			3-19646	153-18	1				3-20792	154-34	2
			3-19647	153-19	1					156-6	
			3-19649	153-17	2				3-20828	78-37	1
			3-19753	170-12	2				3-20831	74-12	2
			3-19860-2	153-13	2				3-20848	147-19	5
			3-19861	153	1					150-18	
			3-19862	153-11	1				3-21034-3	91	2
			3-19875	158-35	1				3-21110	66-8	1
			3-19877	158-34	1				3-21391	43-20	2
			3-19951	153-3	1				3-21391-1	43-7	2
			3-19973	191	1				3-21391-4	43	2
			3-19982	170-13	2				3-21391-5	43	2
			3-19982-1	170-14	2				3-21395-1	114	NP
			3-19982-2	170-15	2				3-21396	150-26	12
			3-19988	38-11	16					151-24	
				38-17					3-21396-1	146-27	8
			3-19996	146-16	2					150-27	
			3-19996-2	146	2					151-25	
			3-20110	170-24	2				3-21406	128-17	10
			3-20118	58-14	1				3-21406-1	128-18	2
			3-20128	110	NP				3-21422	43-3	1
			3-20128-1	110-22	1				3-21422-1	43	1
			3-20139-11	134-20	4				3-21428	84-16	1
			3-20139-12	134-15	12				3-21433	127-5	1
			3-20139-13	134-30	2				3-21442-11	56-11	2
			3-20139-14	134-25	12				3-21872	78	NP
			3-20139-15	135-38					3-21881	147-20	1
				134-32	20				3-21881-2	147-21	1
				134-35					3-21907	151-29	1
			3-20139-16	134-31	2				3-21907-1	151-30	1
			3-20139-17	134-16	8				3-21910	127	NP
			3-20139-18	134-21	2				3-21934-1	159	1
			3-20139-19	134-22	2				3-21934-101	159-16	1
			3-20139-20	134-17	4				3-21935	175-15	1
			3-20213-2	140-38	1				3-21937	168-30	2
			3-20228	110	NP						
			3-20228-1	110-7	1				3-22243	21-1	2
			3-20235	21-28	1				3-22244	21-21	2
			3-20235-1	21	1				3-22245	21-65	4
			3-20236	21-15	1				3-22271	102-42	1
			3-20236-1	21	1				3-22272-1	102-14	1
			3-20238	83-4	1				3-22289	21-23	1
			3-20245	108	NP				3-22289-1	21	1
			3-20398	185-1	1				3-22295	44-29	1
			3-20414-1	185-5	3				3-22419	30	3
			3-20422	37-9	2				3-22420	30-15	4
			3-20433	168-37	2				3-22434	93-22	4
			3-20464	80-16	1				3-22442	67-7	2
			3-20464-1	80-17	1				3-22455	53-21	2
			3-20466	80-15	1				3-22475	144-10	1
			3-20468	80-22	1				3-22479	144-18	1
			3-20476	80-27	1				3-22484	140-59	1
			3-20532	111-62	1				3-22487	57-51	1
			3-20562	146-28	16				3-22487-1	57-47	1
				147-2					3-22490	57-17	1
				149-17					3-22490-1	57	1
				150-28					3-22492	139-50	1
				151-27					3-22495	144-14	1
			3-20639	131	NP				3-23080	6	1
			3-20650	142-4	1				3-23080-1	6	1
			3-20651	142-2	1				3-23087	141-76	1
			3-20689	130	NP				3-23087-1	141-77	1
			3-20722	145-14	1				3-23094	141-73	1
			3-20740	21-6	1				3-23098	154-35	2
			3-20740-1	21	1					156-7	
			3-20742	21-60	2				3-23111	141-65	1
			3-20745	35-6	12				3-23171	53-23	1
			3-20745-48	22-22	4						

Section III
Numerical Parts List

T. O. 1B-17G-4

U. S. Army	U. S. Navy	British	Part Number	Figure & Index No.	Total Qty.	U. S. Army	U. S. Navy	British	Part Number	Figure & Index No.	Total Qty.
			3-23172	53-27	1				3-25169	21	5
			3-23410	140-16	1					22-25	
			3-23417	144-13	1				3-25169-1	22-13	1
			3-23419	144	1				3-25170	21	3
			3-23422-8	140-70	1					22-49	
			3-23422-9	140-69	1				3-25171	21	3
			3-23423-5	140-68	1					22-45	
			3-23438	21-50	8				3-25189	172	1
			3-23470	140-8	1				3-25189-1	172	1
			3-23504	140-5	1				3-25221-7	22-1	1
			3-23507	140-3	1				3-25257	26-10	1
			3-23509	140-10	1				3-25297	23	2
			3-23543	140-25	1				3-25310	146-43	2
			3-23547	67-9	2				3-25383	33-27	32
			3-23549	140-23	1					34-32	
			3-23550	140-29	1				3-25388	33	2
			3-23551	140-31	1				3-25389	43-6	4
			3-23558	69-54	1					43-19	
				184-5					3-25389-6	43	2
				185-7					3-25390	43	4
			3-23593	57-22	2				3-26003	146-41	4
			3-23595	57-32	2				3-26004	146-22	1
				57-48					3-26005	146-20	1
			3-23596	56-3	8				3-26006	65-16	2
				56-12						65-28	
			3-23801	144-17	1				3-26013	140-33	1
			3-23818	57-46	1				3-26023	146-29	1
			3-23825	144-15	1				3-26023-1	146-30	1
			3-23846-1	140-37	1				3-26029	146-21	2
			3-23881	53-68	8				3-26047	146-26	4
			3-23883	57-31	1				3-26048	166-45	2
			3-23884	57-30	1				3-26071	47-11	2
			3-23885	57-36	1				3-26079	150-11	2
			3-23975	102-34	1				3-26086	127-36	4
			3-24415	5-8	60					127-37	
			3-24424	154	2				3-26118	150-13	4
			3-24424-1	157	2					150-37	
			3-24426	154-23	1				3-26172	166-46	2
			3-24426-1	154-24	1				3-26181	164	4
			3-24429	21-53	6				3-26499-1	53-77	2
				23					3-27000-1	150	2
			3-24441	157-26	1				3-27011	150-16	2
			3-24487	140-47	1				3-27012	150-17	3
			3-24498-2	172-41	2					150-40	
			3-24498-502	169-17	10				3-27013	79-14	4
				169-45					3-27014	141-43	1
				169-56					3-27139	135-60	2
			3-24503	140-48	1				3-27147	21-51	3
			3-24503-1	140-46	1					22-23	
			3-24506	111-67	4				3-27807	165	2
				113-20					3-27807-1	165	2
				116-14					3-27814	73-13	2
				118-9					3-27816	73-15	1
			3-24532	30-14	1				3-27923	79-10	2
			3-24536	111-55	1				3-27935	110	2
			3-24561	114	NP					111	
			3-24592	145-5	1				3-27935-1	111	3
			3-24611	141-52	1				3-27936	181	28
			3-24612	141-48	1				3-27965	166-58	2
			3-24613	141-42	1				3-27987	127-57	2
			3-24626	23	2					127-59	
			3-24632	21	4				3-28707	22-23	2
			3-24636	141-25	1				3-28710	22-52	1
			3-24642	23	2				3-28720	166-47	2
			3-24647	102	1				3-28769	147-45	1
			3-24648	102	1				3-28769-1	147-46	3
			3-24684	91-7	1				3-28790	147-90	2
			3-24687	102	1				3-28796	147-47	3
			3-24687-1	101	1				3-28797	147-50	3
									3-28805	147-83	1
									3-28806	147	1
			3-25153	165	2				3-28816	45-14	2
			3-25153-1	165	2				3-28868	147	1
			3-25153-2	165	2				3-28869	147-85	1
			3-25166	21	2				3-28870	147-86	1
			3-25166-7	22-9	1				3-28871	147-87	1
			3-25167	21	2				3-28883	44	5
			3-25168	21	12					45	
				22-14							

U. S. Army	U. S. Navy	British	Part Number	Figure & Index No.	Total Qty.	U. S. Army	U. S. Navy	British	Part Number	Figure & Index No.	Total Qty.
			3-29449	166-42	6				3-9351	24-10	10
			3-29469	22-21	2					24-24	
			3-29904	64-40	2					24-42	
				76-59					3-9584-3	93-15	4
			3-29905	64-47	2				3-9584-4	93-12	2
				76-64						121-84	
			3-29906	76-61	1					199-11	
			3-29907	114	NP				3-9584-5	93	2
			3-29907-1	114-32	2					121-85	
			3-29907-2	114	2					199-12	
			3-29934	108-35	1				3-9774-7	92-19	2
			3-29969	163-71	1				3-9774-8	92-20	2
			3-30111	147-88	1				3-9775	160-31	6
			3-30187	146-18	2				3-9778	155	2
			3-31104	43-4	1				3-9773-1	155-28	3
			3-31105	43-9	4				3-9799-9	73-44	1
			3-31181	146-10	12				3A385	82-45	2
			3-31188	29-10	8				3F142	82-53	2
			3-32102	146-14	4				3Z7990-26	91-11	2
									30KB1250	131-20	2
			3-32442	160-6	2				30126	148	1
			3-32557	150	2				31-1176-2	44	2
			3-32557-1	150	4				31-1176-3	44	1
			3-32568	130-44	1				31-1177-2	44	2
			3-32588	177	1				31-1177-3	44	1
			3-32815	150-43	2				3112A	107-6	1
			3-32834	150-45	2				320-18	126-17	2
			3-33728	119	1				320-22	126-21	2
			3-34255	150-41	2				320-23	126-22	2
			3-5369	92-3	4				320-24	126-20	2
			3-6475-2	73-3	2				320-37	126-9	1
			3-6475-3	73-2	2				3215J	112-23	1
			3-6475-7	73	1				33A6182	161	43
			3-6481	7-1	2					161-7	
			3-6481-2	7-2	2					162	
			3-6481-4	7-3	2					162-9	
			3-6738	160-29	2				33A6182-1	161	43
			3-6738-5	73-47	2					161-8	
			3-6738-6	73-48	3					162	
			3-7022	73	1					162-8	
			3-7022-1	73-49	1				33A6186	161	43
			3-7194-7	68-64	4					162	
				69-56						162-10	
			3-7366	68-46	1				33A6186-1	161-9	43
			3-7366-1	68-47	1					162	
			3-7833	166-18	4					162-11	
			3-7838	68-27	1				33D5226	160	40
			3-7838-1	68-28	1					160-36	
			3-7838-2	68-29	1					161	
			3-7838-3	68	2					161-30	
				69						162	
			3-7838-4	69	1					162-39	
			3-7838-6	69	1				3374Y	44-28	1
			3-7838-7	69-9	1				34A1766D2	116	8
			3-7934-1	155	5				34D5889	130	3
			3-7934-2	155-9	5				34G1646	83-2	4
			3-7941	72-3	4					83-25	
			3-7941-6	72-9	1					83-34	
			3-7942	72-4	2					84-22	
			3-7942-1	72-6	1				34306	172-24	1
			3-7942-10	72-5	1				34478	172	1
			3-7942-2	72-7	2				349-20	126-27	1
			3-7943	72-8	2				35A2276	127-12	7
			3-8010-12	83-19	1					127-13	
			3-8202-100	186-11	3					127-25	
				187-10						127-46	
			3-8202-90	38-59	1				35A2277	127	11
			3-8202-91	40-62	1					127-27	
			3-8202-99	186-15	1					127-31	
			3-8728-6	113	1					127-33	
			3-8752-1	19-6	1				35A2282	127-26	1
			3-8760	2-17	2				35A3896	147-3	1
			3-8761	2-18	2				35A3897	147-6	1
			3-9164	167-40	2				35A3898	147-4	1
			3-9287	24-38	6				35A3899	147-5	1
			3-9288	168	2				35B3441	160-27	2
			3-9288-1	168-12	2				35G3422	160-32	1
			3-9288-2	168-13	2				35G3422-1	160-33	1
									35407	110-26	1

Section III
Numerical Parts List

T.O. 1B-17G-4

U. S. Army	U. S. Navy	British	Part Number	Figure & Index No.	Total Qty	U. S. Army	U. S. Navy	British	Part Number	Figure & Index No.	Total Qty
			36A2108	80-39	1				39B3480-414	108-14	1
			36B3422	115-21	3				39B3480-816	121-64	1
			36B3423	115-22	1				39B3481-1016	107-11	1
			36B5856	130-42	1				39B3481-414	107-5	13
			36C4441	160-38	1					108-13	
			36D5854	130-40	1					108-27	
			36E4442	160-39	1				39B3905L	149-19	1
			360B	78-45	2				39B3905R	149	1
				78-52					39B846B4	107-4	1
			362A	172	1				39G1030-12W24	191	1
			363-1032	57	77				39G1030-12W27	191-3	1
			368	172-25	1				39G1030-12W30	190-3	2
			37A1736	135-44	4				39G1030-8-16	54-37	1
			37A3528	30-2	4				39G1030-8-21	48	2
			37A4527	114-7	1				396-5	126-26	1
			37A5430	51-1	8				4-1640-18-21D12	55-3	1
			37A5751	135-31	4				4-1743-2P26	137-4	1
				135-41					4-1743-3D1	137-5	1
			37A5810	149-11	2				4-2243-1D31	125-25	1
			37A5811	149-12	2				4-3041-98SS11	125-31	1
			37A6330	135-45	2				4-3286-10	147	1
			37B2675	150-14	1				4-805	18-2	2
			37B2675-1	147-16	4				4CT-SS	40-44	1
				150					4CT45SS	39-21	3
				151						41-27	
				151-5						42-24	
			37B4962-1	3-2	1				4G8G15D	177-3	4
			37B4962-2	3	1				4G8G23D	177	4
			37B4962-3	3-3	1				4G8G23G1	177	4
			37B4962-4	3	1				4T0KD	159-6	1
			37B4962-7	114-29	3				40	91	2
				115-11					40A5553	112-9	1
			37B4983	111-14	4				40A7419-1	116-9	2
				113-13					40B629-6-024	124-9	3
				115-15					40B629-7-018	192-6	16
			37B6535	13-46	4				40B629-9-026	124-16	2
				15					40B629B12-518	167-27	6
				51-21					40B887-014C022-8	107-3	1
			37D4865	44-23	1				40D8445-2	111-31	4
			37D4865-1	115-18	2				40G5318	160-41	1
			3700	82-48	2				401-4A	105-2	1
			38A1762	110-20	9					198-15	
				111-4					401561	121-69	1
				111-11						199-5	
				111-18					406862	119-2	1
				111-35					407155	119-8	1
			38A3408	135-43	4				407156	119-4	1
			38A6133	107-10	2				407164	119-7	1
				136-53					407169	119-6	1
				206-3					407172	119-9	1
			38A6134	107	1				407212	119-5	1
			38A6135	107	1				407214	119-13	1
			38A6136	107	1				407215	119-15	1
			38B6205-1	135-30	4				407216	119-14	1
				135-40					407217A	119-12	1
			380B	70-9	9				407229A	98	3
				70-28					407229B	98	1
				70-46					407969A	118-16	2
				70-59					408101	118-23	2
				78-30					408188	118-20	2
			380E	73	1				408250	118-17	2
			385-20-5	106-50	2				408263	118-19	2
			39A2511	111-68	4				41-1042-34-3	55	2
				113-19					41-1066-64-108	168-22	4
				116-15					41-1150	132-4	17
				118-10						132-12	
			39A2512	112-22	3					132-21	
				116-f						132-27	
			39A3906-2	110-14	61					132-32	
				116						132-40	
			39B1024-6	48	8					132-49	
			39B1024-8	48	4					132-61	
				121						132-67	
			39B223-12	167-28	2				41-1150-1	132-54	1
			39B226-12	167-25	2				41-1216	92-31	4
									41-1395-21	20-46	10

AN 01-20EG-4

Section III
Numerical Parts List

U. S. Army	U. S. Navy	British	Part Number	Figure & Index No.	Total Qty.	U. S. Army	U. S. Navy	British	Part Number	Figure & Index No.	Total Qty.
			41-1434	20-23	11				41-4146-1	52-23	4
			41-1434-1	19-32	1				41-4180	160-28	2
			41-1435	19-27	13				41-4181	160-30	6
				20-19					41-4188	72-22	8
				97-15					41-4188-1	72-16	4
			41-1436	20-22	10				41-4188-2	72-30	2
			41-1436-1	97-7	1				41-4198-5	72	4
			41-1436-2	19-31	1				41-4190	72-19	6
			41-1439	19-24	24				41-4196	72-15	2
				20-16					41-4198	39-27	16
				97-10						40-20	
			41-158	130-22	6				41-4220	20-43	16
				132-22						169-22	
				132-33						169-32	
				132-39					41-4220-1	97	12
				132-48						169-19	
			41-158-1	132-15	4					169-48	
			41-16	164-4	2					169-50	
			41-1831-3	60-17	8				41-4231	136-41	1
			41-239-11	159	2				41-4231-3	136-42	1
			41-239-13	159-12	1				41-4234	136-40	1
			41-239-14	159	1				41-4284	102-26	1
			41-239-15	159	1				41-4284-1	102-29	2
			41-2476	71-14	3				41-4286-1	102-33	1
				144-19					41-4293	102-2	1
			41-2476-3	144	NP				41-43	169-18	8
			41-2567	167-23	2					169-24	
			41-2568	167-29	2					169-47	
			41-2569	167-38	2					169-51	
			41-2636-14	167-12	10				41-43-2	169-46	2
			41-2636-15	167-13	8				41-4483	19-23	24
			41-2636-16	167-9	8					20-15	
			41-2636-17	167-10	8					97-11	
			41-2636-18	167-11	6				41-4484	20-14	10
			41-2789	18-3	2				41-4498	19-11	1
			41-2801	19-22	14				41-4543-5	93-3	2
				20-25					41-4544	93-4	1
				97-12					41-4545	160	6
			41-2817	168	4				41-4600	19-9	1
			41-2817-1	168-3	2				41-4601	19-20	26
			41-2817-2	168-4	2					20-12	
			41-2834-1	91-17	2					97-14	
			41-293	83-14	1				41-4602-1	19-21	26
			41-3018-253-8	12	24					20-13	
			41-314	83-38	1					97-13	
			41-3412	171-26	1				41-4614-29-18	13-11	4
			41-3413	171-24	1				41-4633	20	10
			41-353-15-8	70-31	1				41-4638	20-7	10
			41-353-20-7	70-62	1				41-4691-1	92-26	4
			41-3555	12-40	6				41-4778	168-2	4
			41-3560	96-7	2				41-484-6-1	164-16	2
				96-23					41-484-6-6	164-12	2
			41-3572	12-30	18				41-4888-14-7	64-7	14
			41-3703	13-12	2					64-32	
			41-3711	93-16	4					67-31	
			41-3712-1	93-17	4				41-4931	143-15	1
			41-3713-1	93-18	4				41-4971	136-65	1
			41-3722	93-24	4				41-4972	136-67	1
			41-3724	93-14	4				41-5035-17-2	97	2
			41-3727-3	171-4	1				41-5035-21-15	20-41	1
			41-3824-1	171-7	1				41-5035-24-8	20	1
			41-3826-1	13-27	2				41-5035-35-10	97-27	2
			41-3826-2	13-28	2				41-5035-50-31	20	1
			41-3831	13-15	14				41-5035-51-1	20-38	1
				13-41					41-5035-53-13	20-37	1
				15-24					41-5035-53-17	20	1
			41-3840	13-38	12				41-5035-55-25	20-40	1
				15-23					41-5035-61-16	20-39	1
			41-4023-3-4	136-38	1				41-5035-61-19	20	1
			41-4023-8-10	42-11	1				41-5123	44-10	4
			41-4023-8-22	41-10	1					45-18	
			41-4069	143-18	2				41-5124	44	2
			41-4103-2	112	NP				41-5195	159	1
			41-4103-3	112-6	1				41-5456	73-42	1
			41-4103-4	112	1				41-5533-0-39	93	48
									41-5580	73-43	2

Section III
Numerical Parts List

AN 01-20EG-4

U. S. Army	U. S. Navy	British	Part Number	Figure & Index No.	Total Qty.	U. S. Army	U. S. Navy	British	Part Number	Figure & Index No.	Total Qty.
			41-5584	173-7	1				41-7953	102-16	1
			41-5613	19-10	1				41-7953-1	101-30	1
			41-5647	84-15	4				41-7953-4	101	1
			41-5652-5	109-6	2				41-7956	154-37	2
			41-5699	96-20	1					156-9	
			41-5881	2-10	4				41-7964	101-52	1
			41-5881-1	2-11	4				41-7979	142-27	1
			41-5899	83-17	1				41-7982	142-19	2
			41-5918	20	NP				41-7983	142-21	2
				97					41-7985	142-26	1
			41-5918-1	20-47	4				41-7995	154-28	2
				97-25						156-31	
			41-5951-40-13	152-13	2				41-8064	143-70	1
			41-5972	95-9	2				41-8065	143-69	1
			41-6109	8-1	2				41-8074	103-4	1
			41-6109-1	8-2	2				41-8126	102-48	1
			41-6109-2	8-3	2				41-8129-3	102-13	1
			41-6109-3	8-4	2				41-8180	82-19	1
			41-6109-4	8-5	2				41-8180-1	82	1
			41-6109-5	8-6	2				41-8199-1	167-44	1
			41-6109-6	8-7	2				41-8216	156-10	1
			41-6109-7	8-8	2				41-8217-1	156-16	1
			41-6109-8	8-9	2				41-8261	33-22	15
			41-6109-9	8-10	2					34-21	
			41-6187-1	93-25	4				41-8265	35-13	8
			41-6608	154-21	1					35-18	
			41-6659	155-23	10				41-8267	155-7	10
			41-67	160-14	4				41-8267-1	156-26	1
			41-671	166-32	8				41-8374	33-25	64
			41-68	160-13	4					34-20	
			41-6813	116	1				41-8385	142-28	2
			41-6818	102-56	1				41-8395	140-49	2
			41-6825	155-27	5					142-30	
			41-6826	155-22	5				41-8395-6	140-50	1
			41-688-3	50-16	5				41-8428	114-6	1
				61-19					41-8435	33-31	6
				61-27					41-8448	34-33	2
			41-6975-24-9	111	4				41-8453	120-29	4
			41-7074-1	44	2				41-8461	33-32	4
			41-7081-1	95-7	2				41-8510-1	104-25	1
			41-7085-72-33	182-53	28				41-8565	139-51	2
			41-72	160-23	1				41-8573	115-23	2
			41-7288	113	6				41-8700-3	102-8	8
			41-7288-2	115	3				41-8700-4	101-19	6
			41-7297	97	1				41-8702	92-6	4
			41-7297-1	97-18	1				41-8752	36-6	4
			41-7297-2	97-19	1				41-8753	34-3	2
			41-75-2	160	8				41-8755	36-4	8
			41-7511	130	NP				41-8756	36	8
			41-7584	155	3				41-8805	36-7	4
			41-7584-1	155	2				41-8806	36-10	4
			41-7584-2	155-19	5				41-8826	36-9	4
			41-7584-3	155-20	5				41-8835	114	1
			41-7592	132-38	2				41-8959-1	136-30	1
				132-68					41-9013	3A-A	16
			41-76-1	160-22	1				41-9046-1	82-41	2
			41-7654-2	103-11	1				41-9048	120-33	1
			41-7703	82-26	2				41-9048-1	120	1
			41-7710	182-14	8				41-9048-2	120	1
			41-778	84-10	4				41-9048-3	120	1
			41-78	160-24	1				41-9055	120-26	4
			41-7804-1	136-37	1				41-9108	210-30	4
			41-7811	154-43	12				41-9111	120-28	4
			41-782	169-58	1				41-9113	120	8
			41-7915-1	103-33	1				41-9114	120-31	4
			41-7915-2	103-34	1				41-9115	120-32	8
			41-7942	69-26	1				41-9117-1	120-27	4
			41-7943	69-30	2				41-9163	143-42	4
				69-45					41-9268-5-16	44-5	1
			41-7944	69-28	2				41-9284	41	3
				69-43						42	
			41-7945	69-33	2				41-9290-3	121-21	8
				69-47						136-47	
			41-7946	69-29	2				41-9290-4	136-23	2
				69-44					41-9338	91-42	4
			41-7949	154-31	1				41-9384	93-20	4
			41-7952-1	142-24	1				41-9404-1	18-10	4
			41-7952-7	142-29	1				41-9411	93-5	3

U. S. Army	U. S. Navy	British	Part Number	Figure & Index No.	Total Qty	U. S. Army	U. S. Navy	British	Part Number	Figure & Index No.	Total Qty
				93-10					41-9961	83	1
			41-9466	70	NP				41-9962	136-64	1
			41-9466-2	70-17	2				41-9963-1	83-22	1
				70-35					41-9974	94	1
			41-9501-32-17	93-9	1				41-9974-1	94-25	1
			41-9505	44	1				41-9981	111-64	2
			41-9507	2-2	2					118-4	
			41-9514	94-11	2				41-9981-1	110-1	2
				103-19						116-21	
			41-9541	13-13	2				41-9992	73-11	1
			41-9541-1	13-31	2				41-9992-1	73-12	1
			41-9542	15-21	4				41-9998	72-10	2
			41-9542-1	13-39	6				41A10712	153-4	2
				15-22					41B10395	159-21	2
			41-9542-2	13-40	2				41B2679	147-75	1
			41-9576	11-12	2				41E4555	160-37	2
			41-9606	92-25	6					162-40	
			41-9623-12	167-4	6				41G1742	160-34	12
			41-9623-13	167-7	4					161-29	
			41-9623-14	167-6	4					162-38	
			41-9623-15	5	4				41G1742-1	160-35	12
			41-9656	11-13	2					161	
			41-9667	3-41	2					162	
			41-9667-1	3-42	2				41K3650	149-10	2
			41-9669-2	3-32	2				42A3524	110-35	1
			41-9670-2	3-33	2				42A6950	134-9	1
			41-9728	102-4	1				42A8317	146-6	2
			41-9728-1	102-47	1				42B3581	28-12	9
			41-9730	102-30	1					38-3	
			41-9730-1	102-36	1					138-33	
			41-9730-2	102-38	1				42B3593-1	109-39	10
			41-9730-3	102-27	1					111-65	
			41-9731	102-35	1					112-25	
			41-9731-1	102-31	1					116-7	
			41-9731-2	102-28	1					116-31	
			41-9731-3	102-37	1					118-5	
			41-9732-14	102-23	1				42B3593-2	109-40	22
			41-9732-16	102-15	4					115-25	
			41-9732-30	102-18	1					116-6	
			41-9732-32	101	1					116-32	
			41-9732-4	101-14	2					117-8	
			41-9735	102-17	1					133-13	
			41-9736	101-29	2					133-24	
			41-9736-1	101-31	1					133-29	
			41-9742	69-41	1					133-33	
			41-9755	72-20	4					133-36	
			41-9755-1	72-26	2					133-41	
			41-9774	103-21	1					133-46	
			41-9774-1	94-10	2					133-51	
			41-9774-2	103-22	1				42B3593-3	109-41	5
			41-9779	73-31	4					117-7	
			41-9792-1	13-8	2				42B3748	111-27	1
			41-9792-2	13-9	2				42B498-12	167-24	2
			41-9797	72-24	6				42B498-14-400-118	173-18	1
			41-9798	72-18	4				42B6927	111-28	1
			41-9798-1	72-29	2				42B8318	146-5	4
			41-9801	44-4	1					150-3	
			41-9807	171-27	1				42D19090	147-79	3
			41-9808	91-34	8					150-10	
				91-40					42D19277-5-14	107-1	4
			41-9811	91-32	4				42D499	110-40	1
				41-41					42D6443	160-40	1
			41-9817	91-26	4				43-10760-408	82-3	1
			41-9822	103-35	1				43-10760-409	82	1
			41-9831-272	101	1				43-11181	82-9	1
			41-9831-43	101-26	2				43-11344-2	11	NP
			41-9831-46	101-20	2					47	
			41-9831-53	101-16	2				43-11344-3	47-22	2
			41-9831-55	101-23	2				43-11344-400	11-3	NP
			41-9863	106	4					47	
			41-9868	154-40	4				43-11471	100-11	1
			41-9882	154-22	1				43-11472	100-12	1
			41-9892	155-5	4				43-11520-402	110-10	2
			41-9902	84-12	2					110-28	
			41-9902-1	84-13	2				43-11714-10	30	1
			41-9908	159-5	1				43-11714-11	30	1
			41-9916	135-51	2				43-11714-13	30	1
			41-9960	93	1				43-11714-14	30	1

Section III
Numerical Parts List

T. O. 1B-17G-4

U. S. Army	U. S. Navy	British	Part Number	Figure & Index No.	Total Qty	U. S. Army	U. S. Navy	British	Part Number	Figure & Index No.	Total Qty
			43-11714-15	30	1					97	
			43-11714-16	30	1					154	
			43-11714-5	23-37	NP					172	
				26-3					44B6540-3	172	1
				30					44B6541	169	10
			43-11714-6	23	NP				44C7367	134-2	10
				27-3					44D25364	150	4
			43-11715-6	30	NP					150-34	
			43-11993	75	1				44D4853	147-77	3
				95-18						150-4	
			43-12785	129-2	1				44J11614	147-80	3
			43-6988	169-34	1					150	
			43-6988-1	169	1				44J1164	150	1
			43-7806	92	4				44J4367	150-9	2
			43-7853-400	156-3	1				441K	66-28	1
			43-7853-401	156	1				45B3418-1	91-11A	2
			43-7863-1	156-24	1				4550-2	44-1	1
			43-7863-2	154	1				46-10128	181-53	24
			43-7863-400	156-33	1				46-10129	181-26	2
			43-7870	156-27	1				46-10129-1	181-17	4
			43-7935-400	155-6	3				46-3851-400	68-34	1
			43-7935-401	155	2				46-3851-401	68-33	2
			43-8148	159	NP				46-3852	68-39	2
			43-8148-400	159-2	1				46-3854-400	69-15	1
			43-8754	20	10				46-3854-401	69-16	1
			43-8754-1	20-30	10				46-3855-400	69-20	1
			43-8754-2	20-31	20				46-3855-401	69-19	1
			43-8756	20-20	10				46-4869	154-29	1
			43-9165	167-22	2				46-4911	155	2
			43-9588	13	1				46-4911-1	155-2	3
			43-9588-1	13	1				46-4911-2	155	2
			43-9588-2	13-24	1				46-4911-3	155	3
			43-9588-3	13	1				46-4911-4	155	4
			43-9588-400	13-25	2				46-4913	103-15	1
			43A10876	146-3	2				46-5857	167	2
			43A10877	146-4	2				46-6158	13	1
			43A6953L	146	5				46-6158-1	13	1
				147					46-6158-2	13-5	1
				150-35					46-6158-3	13	1
				151					46-6158-400	13-6	2
			43A6953R	146-15	5				46-6318	50-24	2
				147					46-6318-402	50-17	4
				150						50-23	
				151					46-6512-400	18-14	1
			43B11200	161-17	42				46-6512-401	18	1
				162-24					46-6512-402	18-16	1
			43B15240	150-2	2				46-6512-403	18	1
			43B2237-12-518	167-26	4				46-6513-400	18-20	1
			43D10157	160	32				46-6513-401	18	1
				161					46-6513-402	18-13	1
				162					46-6513-403	18	1
			43D2475-4-140	107-2	2				46-6603	19-28	2
			43D2475-6-330	48-29	8					97-6	
			43D2475-8D160	54-37	2				46-6684-405	136-63	1
				121-67						206-5	
			43D2475-8D210	48-4	2				46-6684-8	136-66	1
			43G10872	146	2				46-6905-1	19	1
			43G19840L	160	12				46-7284	19-8	1
				161					46-7284-1	92-12	2
				162					46-7284-402	92-13	2
			43G19840R	160	12				46-7284-403	92	2
				161					46-7378	97-1	1
				162					46-7622	142-17	1
			44B12175	147-78	5				46-7622-1	142-16	1
				146-8					46-7622-2	142	1
				150-5					46-7622-3	142-18	1
			44B18573	111-60	2				46-7622-403	142	2
			44B18574	111-61	2				46-7624	142-25	1
			44B25259	145-9	11				46-7624-1	142	1
				147-84					46-7624-104	142	1
				148-6					46-8013	9-4	NP
				150						39-52	
				150-36					46-8014	9	NP
			44B6540	19	36					40-55	
				20					46-8053	168	2
				62					46-8053-400	168-8	2
				63-10							

T. O. 1B-17G-4

Section III
Numerical Parts List

U. S. Army	U. S. Navy	British	Part Number	Figure & Index No.	Total Qty.	U. S. Army	U. S. Navy	British	Part Number	Figure & Index No.	Total Qty.
			46-8335	45	NP				49-3047-400	38-2	2
			46-8339	45	NF				49-3047-401	38-1	2
			46-8339-9	45	2				49-3047-402	38	4
			46-8648	17	NP				49-3056-406	34-36	2
			46-8648-1	17	NP				49-3129	15	NP
			46-8649	17	NP					37	
			46-8649-1	17	NP				49-3133	139	1
			46-8833	129	NP				49-3133-414	139-16	1
			46-8972	25-36	3				49-3133-417	139-17	1
			46-9333	132	NP				49-3133-420	139	1
			46-9339	81-19	1				49-3133-422	139-18	1
			46-9346	114	NF				49-3362	132	NP
			46-9419-400	7E-35	1				49-3424	181-35	2
			46-9419-401	78-36	1				49-3614	181-44	2
			46-9419-402	76	NF				49-3638	181-8	4
			46-9419-403	78	NP				49-3684	39-31	NP
			47-1309	11	NF				49-3684-1	40-24	NP
			47-1309-1	11	NP				49-3685	77	1
			47-1331	97	NP				49-3685-400	77-16	1
			47-1331-3	97-26	2				5-1142-2	125-30	1
			47-1343-23	34-15	1				5-941-11SS8	55-7	1
			47-1343-24	34	1				50-75	68	6
			47-1501	83-9	NP					69	
				84					51-10-34	29-5	8
			47-1501-1	83-10	NP				51-10-76	29-9	8
				84					51-1092	50-58	1236
				84-1	1				51-1092-1	50-59	18
			47-1501-405	84	1				51-1094	1239-47	4
			47-1501-406	84	1				51-1095	139-46	1
			47-1501-407	84	1				51-1096-1	139-48	1
			47-1501-408	84	1				51-1096-2	139-45	1
			47-7915-3	103	1				51-1107	154-11	2
			47AC7K	109-7	1				51-1108-36-10	154-17	2
			48-1073	66	1				51-112-2	94-21	1
			48-1076	44	NP				51-118-3	90-15	1
			48-1078-40C	44-2	1				51-126	94-19	1
			48-1078-404	44-9	1				51-144-1	70-29	3
			48-1078-408	44	1					70-47	
			48-1293	132	NP					70-60	
			48-591	168	2				51-144-3	70-11	1
			48-591-401	168-26	2				51-150	142-48	1
			48-9-808A	154-19	2				51-156	95-6	2
			48172	91-11B	2				51-157	95-5	2
			48463	81	18				51-163	30-3	4
			4868827	33-43	6				51-172	72-27	2
				34-35					51-174-1	72	1
			49-11993	75	1				51-174-2	72-13	1
			49-11993-1	75-2	1				51-176	2-3	8
			49-1356-2	118-14	2				51-176-1	2-19	2
				131					51-176-2	2-20	2
			49-1777-109	3	NP				51-176-3	2-21	2
				44-13					51-176-4	2-22	2
			49-1777-410	3	NP				51-187-175	101-36	1
				44	NP				51-19	84-8	4
			49-2002	69	NP				51-195-148	102-52	1
			49-2002-1	69	NP				51-195-174	101-6	1
			49-2002-415	69-7	1				51-195-197	102	1
			49-2002-416	69-8	1				51-195-252	102	1
			49-2631	19-1	1				51-195-382	101	1
				20-42					51-195-40	102-53	2
			49-2631-4	19-13	1				51-195-48	102-51	4
			49-2876	13	NP				51-195-55	101-5	2
			49-2876-1	13	NP				51-195-64	104-4	2
			49-2876-400	13-4	2				51-195-77	101-3	2
			49-2914	82	NP				51-195-93	102-55	1
			49-2914-400	82-15	1				51-196	101-2	2
			49-2914-401	82-11	1					102-50	
			49-2914-5	82-12	1				51-197-10	101-51	3
			49-2976	19-18	1					103-39	
			49-3022	33-14	1				51-197-109	101-49	1
			49-3022-1	33	1				51-197-12	101-43	2
			49-3029	34-16	1				51-197-152	103-31	1
			49-3029-1	34	1				51-197-18	101-54	2
			49-3030	34-14	1				51-197-189	101-38	1
			49-3030-1	34	1				51-197-20	101-55	3
			49-3047	38	1						
			49-3047-1	38	1						

Section III
Numerical Parts List

AN 01-20EG-4

U. S. Army	U. S. Navy	British	Part Number	Figure & Index No.	Total Qty.	U. S. Army	U. S. Navy	British	Part Number	Figure & Index No.	Total Qty.
			51-197-22	103-37	4				51-778	154-38	19
			51-197-247	103	1					155-16	
			51-197-255	101-48	1					156-19	
			51-197-262	103	1					156-36	
			51-197-284	101-45	1				51-784	93-11	As Req.
			51-197-40	103-10	1				51-784-1	93	As Req.
			51-197-42	101-41	2				51-79	101-10	1
			51-197-47	103-28	2				51-83	14-29	2
			51-197-5	103-26	2				51-872-5	154-13	2
			51-197-6	103-6	2				51-873	154-15	2
			51-197-60	101-37	2				51-97	91-21	4
			51-197-8	103-8	2				51-981	12-29	8
			51-197-88	103-43	1				51-981-2	12-28	2
			51-198-6	104-6	1				519-14A	126-15	1
			51-199-10	104-14	1				519-15	126-14	1
			51-199-102	104	1				519-27	126-12	4
			51-199-104	104	3				5200	94-24	1
				104-20					5205	155	5
			51-199-12	104-23	1				5207	155	5
			51-199-128	104-8	1				5208	168-14	2
			51-199-18	104-2	2				525-10-11	90-12	2
			51-199-28	104-10	5				5291-1T8B	121-71	1
			51-199-34	104-9	2					125-27	
			51-199-40	104	3					199-6	
				104-18					53-1C	78-41	2
			51-199-44	104-16	1					78-51	
			51-199-64	104-22	2				53-11715	23-36	NP
			51-199-76	104-21	1					26-2	
			51-199-8	104-13	6					27-4	
			51-199-96	104-19	2					30	
			51-200	101-8	1				53-11715-6	30	1
			51-201	103-13	1				53-11715-8	30	1
			51-202	103-12	1				53-12016	74-5	1
			51-205-1	136-29	1				53-12016-1	74	1
			51-205-2	136-27	1				53-6388	44-7	1
			51-211	19-15	2				53-6667	8	2
			51-213-11	184-9	2				53-6667-1	8	2
				185-11					53-6667-2	8	2
			51-219	174-12	2				53-6667-3	8	2
				175-11					53-6667-4	8	2
			51-226-24	73-39	1				53-6667-5	8	2
			51-226-32	73-37	2				53-6667-6	8	2
			51-247	6-38	1				53-6667-7	8	2
			51-249	109-9	2				53-6667-8	8	2
			51-255	142-14	1				53-6667-9	8	2
			51-274	164-3	2				53-6989	169-6	1
			51-276	164-7	2				53-6989-1	169	1
			51-289	168-9	4				53-7977	154	2
			51-329	102-5	1				53-7977-1	154	2
			51-421	92-8	4				53-7977-502	154-2	4
			51-423-1-0	92-32	4				53-7977-503	154-3	2
			51-424	92-4	4				53-7977-504	154-4	2
			51-425	92-10	4				532A	166	8
			51-426	92-15	4				5343971	85	2
			51-427	92-9	4				5368644	85	1
			51-428	168-27	4				5368691	85	2
			51-446-0-60	62-10	2				54-1A	73-5	2
			51-446-0-8	62-3	2					78-5	
			51-446-2-82	93-2	1				54-1600-500	93	1
			51-447-0-39	93	48				54-1618	34	NP
			51-454-7-0	92-28	1				54-1618-1	34	NP
			51-468	19-2	1				54-1618-410	34-39	1
			51-474	102-46	1				54-1618-411	34	1
			51-476	154-36	2				54-1618-418	34-40	1
				156-8					54-1618-419	34	1
			51-477	154	2				54-1696	82	NP
				156					54-1766	15	NP
			51-482	19-14	1				54-1766-1	15	NP
			51-495	102-41	1				54-1766-2	15-5	3
			51-498	169-54	2				54-1766-4	15-6	2
			51-498-1	169-14	6				54-2049-2	12	NP
				169-42					54-2049-3	12	NP
			51-569	19-5	1				54-2058	12	NP
			51-7	68-60	1				54-2058-1	12	NP
			51-704	93-1	1				54-2059	12	NP
			51-720	169-27	2				54-2059-1	12	NP
			51-762-4	37-8	2				54-2079	98-16	1
										111-46	

AN 01-20EG-4

Section III
Numerical Parts List

U. S. Army	U. S. Navy	British	Part Number	Figure & Index No.	Total Qty.	U. S. Army	U. S. Navy	British	Part Number	Figure & Index No.	Total Qty.
			54-2358-403	112	1				55-5962	9	NP
			54-2358-410	112	1				55-5962-1	9	NP
			54-2358-412	112	1				55-5962-427	9-21	1
			54B	70-6	4				55-5962-428	9	1
				70-25					55-5976	34	NP
				70-43					55-5976-1	34	NP
				70-56					55-6063-402	16-3	1
			542	166	8				55-6063-403	16	1
									55-6063-404	16-1	1
									55-6063-405	16	1
									55-6063-427	16	1
									55-6063-428	16	1
									55-6063-429	16	1
									55-6063-430	16	1
									55-6063-440	16	1
			55-195-38	102-54	1				55-6063-441	16	1
			55-195-39	102	1				55-6063-442	16	1
			55-3685	74	NP				55-6063-443	16	1
			55-3685-1	74	NP				55-6063-64	16	NP
			55-3685-400	74-6	1				55-6063-65	16	NP
			55-3685-401	74	1				55-6070	197	NP
			55-3685-407	74-7	1				55-6070-2	120	1
			55-3685-408	74	1				55-6070-4	120-19	2
			55-3685-409	74-8	1				55-6070-400	120-1	1
			55-3685-410	74	1					197-1	1
			55-4100	68	NP				55-6070-401	120-21	1
			55-4100-1	68	NP				55-6070-404	120-2	1
			55-4764	2	NP				55-6070-5	120-20	1
			55-4764-1	2	NP				55-6070-8	120-18	1
			55-4803-3	167-8	2				55-6088	31	NP
			55-4803-415	167-3	2					32	
			55-4803-421	167-2	1				55-6088-34	31-21	1
			55-4803-422	167	1				55-6088-401	31-11	1
			55-4803-423	167-16	1				55-6088-402	31-7	2
			55-4803-424	167	1					32-19	
			55-4803-425	167-15	2				55-6088-404	31-17	2
			55-5272-16	84	2					32-7	
			55-5272-407	84-4	1				55-6088-405	31-16	4
			55-5272-408	84	1					31-22	
			55-5442	12	NP					32-6	
				20						32-12	
			55-5442-1	12-9	NP				55-6088-406	31-23	2
				20						32-13	
			55-5593	166-40	NP				55-6088-407	32-23	1
				169					55-6088-408	32-18	1
			55-5593-1	166	NP				55-6088-409	32-17	1
				169					55-6088-419	31-19	1
			55-5593-12	169-20	4				55-6088-420	32-9	1
				169-23					55-6088-421	31-13	1
			55-5593-19	169-31	2				55-6088-422	32-4	1
			55-5593-401	169-33	1				55-6088-423	32-22	1
			55-5593-402	169	1				55-6088-424	32-14	1
			55-5593-403	169-49	2				55-6088-425	32-16	1
			55-5593-405	169-1	1				55-6088-426	22-20	1
			55-5593-406	169	1				55-6088-427	32-5	1
			55-5593-407	169	2				55-6088-428	32-8	1
			55-5593-408	169	2				55-6088-429	32-3	1
			55-5593-409	169	2				55-6088-430	32-10	1
			55-5593-410	169	1				55-6088-431	31-18	1
			55-5593-411	169	1				55-6088-432	31-12	1
			55-5593-8	169	2				55-6088-433	31-20	1
			55-5685	71	NP				55-6088-434	31-11	1
			55-5685-407	71	NP				55-6088-435	31-10	1
			55-5689-22	100-3	1				55-6088-436	31-5	1
			55-5689-23	100-2	1				55-6088-437	31-3	1
			55-5785	74	NP				55-6088-438	31-8	1
			55-5785-406	74-14	1				55-6088-439	31-2	2
				135-49						32-2	
			55-5924	142	NP					38	
			55-5929-461	16-22	1				55-6088-440	31-1	1
			55-5929-462	16	1					38	
			55-5929-473	16-28	1				55-6088-441	32-1	1
			55-5929-474	16	1					38	
			55-5929-536	16	NP				55-6088-444	31	2
			55-5929-537	16	NP					32	
			55-5929-644	16	1				55-6088-445	32	1
			55-5929-645	16	1				55-6088-446	31	2
			55-5929-646	16	1					32	
			55-5929-647	16	1						

Section III
Numerical Parts List

AN 01-20EG-4

U. S. Army	U. S. Navy	British	Part Number	Figure & Index No.	Total Qty.	U. S. Army	U. S. Navy	British	Part Number	Figure & Index No.	Total Qty.
			55-6088-447	31	2				55-6194	178-1	1
				32					55-6194-401	178-8	1
			55-6088-448	31	1				55-6194-403	178-6	1
			55-6088-449	32	1				55-6194-5	178-10	1
			55-6088-450	32	1				55-6195	178-16	1
			55-6088-451	31	1				55-6195-401	178-29	1
			55-6088-452	31	1				55-6195-402	178-27	1
			55-6088-453	31	1				55-6195-403	178-25	1
			55-6088-454	32	1				55-6242-258	26	1
			55-6088-455	31	1				55-6242-41	190-4	1
			55-6088-476	31	2				55-6242-42	190-5	1
				32					55-6242-49	26-15	1
			55-6088-477	31	2				55-6242-499	199-10	2
				32					55-6242-50	27-34	1
			55-6088-478	31	1				55-6242-512	191	1
			55-6088-479	31	1				55-6242-515	191-6	1
			55-6088-48	31-C	1				55-6242-537	190	1
			55-6088-480	31	1				55-6242-544	26-47	1
			55-6088-481	31	2				55-6242-90	26-28	1
				32					55-6242-91	27-48	1
			55-6088-482	31	2				55-6242-92	26-48	1
				32					55-6242-93	27-47	1
			55-6088-483	31	1				55-6249	11-20	NP
			55-6088-484	31	1					18	
			55-6088-485	32	1				55-6249-1	11	NP
			55-6088-486	32	1					18	
			55-6088-487	32	1				55-6249-400	18-1	1
			55-6088-488	32	1				55-6249-401	18	1
			55-6088-489	32	1				55-6330	13-43	NP
			55-6088-490	31	1					187	
			55-6088-54	32-21	1				55-6331	13	NP
			55-6088-60	31-4	1					187	
			55-6088-71	31-9	1				55-6336	15	NP
			55-6088-73	32-15	1					186	
			55-6088-83	32-11	1				55-6339	33-17	1
			55-6088-89	31-15	1					37-14	
			55-6089	33-19	1				55-6339-1	33	1
			55-6089-1	33	1					37	
			55-6142-1	41-3	1				55-6341	6-8	NP
			55-6142-19	41-12	1				55-6341-1	6	NP
			55-6142-3	41-11	1				55-6341-400	6	1
			55-6154-18	42-12	1				55-6341-401	6	1
			55-6154-2	42-3	1				55-6341-402	6-15	1
			55-6154-6	42-19	1				55-6341-403	6	1
			55-6162	15	NP				55-6341-8	6-11	2
				31-24					55-6612	65-53	NP
				38						76	
			55-6162-1	15	NP					147	
				32-25					55-6612-122	76-1	1
				38					55-6612-495	76	1
			55-6162-400	38-9	1				55-6612-552	76	1
			55-6162-401	38	1				55-6690-400	17-10	2
			55-6162-402	38-10	4				55-6700	33-1	1
			55-6185	179-1	8				55-6700-401	33	1
				180-1					55-6704	143-4	1
			55-6191	15	NP				55-6704-400	143-5	1
				186					55-6704-402	143	6
			55-6191-1	15	NP				55-6705-400	143-38	1
				186					55-6705-401	143-38	2
			55-6193	178-32	2				55-6705-403	143-35	1
			55-6193-1	178-2	4				55-7018	75	1
				178-17					55-7019-416	75	1
				178-33					55-7031	89	NP
			55-6193-2	178-14	4					193	
				178-30					55-7032	88	NP
				178-44						194	
			55-6193-3	178-13	3				55-7034	90	NP
				178-43						196	
			55-6193-4	178-12	3				55-7037	39	NP
				178-42						40	
			55-6193-402	178-41	2				55-7311	69	NP
			55-6193-7	178-23	3					80	
				178-39						82	
			55-6193-8	178-21	3				55-7330	65	1
				178-37						66	
			55-6193-9	178-4	4					68	
				178-19						69	
				178-35						70	

RESTRICTED
AN 01-20EG-4

Section III
Numerical Parts List

U. S. Army	U. S. Navy	British	Part Number	Figure & Index No.	Total Qty.	U. S. Army	U. S. Navy	British	Part Number	Figure & Index No.	Total Qty.
				71					55-7607-3	11	NP
				72						44	
				73					55-7607-4	44	2
				74					55-7607-6	44-20	4
				83					55-7607-7	44-21	4
			55-7332	44	NP				55-7612	79	NP
				45					55-7621	79	NP
				110					55-7621-423	79	1
				111					55-7621-424	79	1
				113					55-7621-425	79	1
				114					55-7622	115	NP
				115					172-52		
			55-7348-400	23-13	2				55-7655	181	NP
			55-7348-401	23-7	2					182	
			55-7348-402	23-17	2				55-7655-1	181	NP
			55-7348-403	23-18	2					182	
			55-7348-407	189-3	2				55-7655-2	181	NP
			55-7351	110-5	NP					182	
				116					55-7655-3	182	14
			55-7365	133	NP				55-7655-4	182	14
				134					55-7655-5	182	2
			55-7368	142	NP				55-7655-6	182	2
				143					55-7672	183	3
			55-7377	64	1				55-7672-1	183-23	2
				71					55-7672-400	183-22	2
				74					55-7689	48	NP
				81						122	
				152						129	
			55-7379-409	109-5	1					130	
			55-7470	172	NP				55-7689-400	122-1	1
			55-7470-402	172	1				55-7689-401	122-10	1
			55-7470-403	172	1				55-7689-402	122-13	1
			55-7470-408	171-1	1				55-7689-403	122-16	1
				172-6					55-7689-404	122-14	1
			55-7483	9-13	NP				55-7689-405	122-15	1
				11					55-7689-406	122-31	1
			55-7483-1	9	NP				55-7689-407	122-32	1
				11					55-7689-408	122-30	1
			55-7483-400	11	1				55-7689-409	122-29	1
			55-7483-401	11	1				55-7689-411	122-20	1
			55-7483-411	11	1				55-7689-412	122-19	1
			55-7483-412	11	1				55-7689-413	122-18	1
			55-7483-524	11	1				55-7689-414	122-17	1
			55-7483-525	11	1				55-7689-415	122-33	1
			55-7483-526	11	1				55-7689-416	122-34	1
			55-7483-527	11	1				55-7689-417	122-35	1
			55-7521	148	NP				55-7689-418	122-36	1
			55-7521-11	148-2	As Req.				55-7689-419	122-9	1
			55-7521-12	148	As Req.				55-7689-420	122-8	1
			55-7521-13	148	As Req.				55-7689-421	122-7	1
			55-7521-400	148	As Req.				55-7689-422	122-6	1
			55-7521-410	148-4	1				55-7689-423	122-5	1
			55-7538-402	111-48	1				55-7689-424	122-4	1
			55-7538-404	111	NP				55-7689-425	122-3	1
			55-7538-413	111	1				55-7689-426	122-2	1
			55-7575	108	NP				55-7689-427	122-45	1
			55-7575-451	108-16	1				55-7689-428	122-11	1
			55-7580	59-18	NP				55-7689-456	122	1
				62					55-7689-457	122	1
				196-5					55-7689-458	122	1
			55-7580-1	59	NP				55-7689-459	122	1
				62					55-7689-460	48	1
				196-6					55-7689-461	48	1
			55-7599	143	NP				55-7689-466	122	2
			55-7599-1	143-43	1				55-7689-467	122	2
			55-7599-400	143-45	1				55-7689-468	122	2
			55-7599-402	143-49	1				55-7689-469	122	2
			55-7599-6	143-44	1				55-7774	127	NP
			55-7602	75	NP				55-7774-420	127	1
			55-7606	78	NP				55-7774-423	127-45	1
			55-7606-400	78	1				55-7789	127	NP
			55-7606-406	78-22	1					132	
			55-7606-412	78-19	1				55-7789-401	130-32	1
			55-7606-414	78	1				55-7970	181	24
			55-7606-415	78-20	1				55-7971	181	2
			55-7606-416	78	1				55-7971-1	181	2
			55-7607-2	11-6	NP				55-8535	15-8	1
				44					55-8535-1	15	1

Section III
Numerical Parts List

RESTRICTED
AN 01-20EG-4

U. S. Army	U. S. Navy	British	Part Number	Figure & Index No.	Total Qty.	U. S. Army	U. S. Navy	British	Part Number	Figure & Index No.	Total Qty.
			55-8536	13	1				58-1215-520	46	1
			55-8536-1	13	1				58-1215-521	46	1
			5543	111	3				58-1215-522	46	1
				112-24					58-1215-531	46	1
			557-5	52-7	9				58-1215-532	46	1
				139-15					58-784	2-35	1
				201-3						7	
				206-8					58-784-1	2	1
			56-3852-500	68-40	1					7	
			56-3852-501	68-41	1				59-1724	92-16	2
			56-3855-500	69-21	1				59-1724-1	92-17	2
			56-3855-501	69-22	1				59-1791-401	100-13	1
			56-3855-502	69	4				59-1791-403	103-17	1
			56-3989	174-5	1				59-1847-509	117	NP
			56-4251-505	117-9	1				59-1847-513	117	1
			56-4251-509	117-10	1				59-1847-519	117	1
			56-4252-511	117-1	1				59-1847-520	117	1
			56-4252-514	117	1				59-1847-523	117	1
			56-4252-516	117	1				59-1847-524	117	1
			56-4965-500	94-17	1				59-1847-526	117	1
			56-4965-502	94	1				59-2012	156-2	1
			56-4965-504	90	NP				59-2018	154	NP
			56-4965-505	94	1				59-2018-400	154-32	1
			56-4965-506	90-1	1				59-2018-500	154-26	1
				94-1					59-2875	132	NP
				196-1					59-2916-505	132	NP
			56-4965-507	94	1				59-2916-507	132	1
			56-5141	83-15	1				59-2916-512	132	1
			56-5141-6	83	1				59-2990	35-12	1
			56-7180	116	1				59-2990-1	35	1
			56-7180-501	116-25	1				59-3088	15	NP
			56-7180-504	116	1					186	
			56-7180-505	116	1				5911-12B	109-11	1
			56-7583	130	NP				6-10098	111	NP
			56-7583-500	130	1				6-10098-1	111	1
			56-7583-503	130	1				6-10105	127	NP
			56-7758	114	NP				6-10107	116-27	1
			56-7758-1	114	NP				6-10108	161-15	4
			56-7789-504	35-17	1				6-10109	162-22	4
			56-7789-505	35	1				6-10122	75-21	2
			56-7789-506	35	1				6-10122-4	75-13	2
			56-7789-507	35	1				6-10122-5	75-11	4
			56-8983-2	46-8	1					75-23	
			56-8983-3	46	1				6-10131	23	NP
			56-9294-509	109	1				6-10131-1	23	NP
			56-9294-510	109-2	1				6-10131-2	23-9	1
			56B446	35-7	12				6-10131-3	23	1
			567-1	111-21	2				6-10132	23	1
			57-1341	34-19	2				6-10132-1	23	1
			57-992	159-42	NP				6-10132-2	23-8	1
			57-992-500	68	NP				6-10132-3	23	1
				159-43					6-10135-11	109	1
			574-2	113-26	1				6-10135-14	109	1
				136-74					6-10135-15	109	1
				139-13					6-10135-9	109-1	1
				201-1					6-10137	79	NP
				206-7						127	
			577-2	111-80	1				6-10137-1	79-26	2
				136-9						127-55	
				206-1					6-10212-4	123-4	1
			58-1077	33-20	NP				6-10430	140-55	2
				35						142-35	
			58-1077-1	33	NP				6-10437	114	NP
				35					6-10437-1	114-28	1
			58-1077-506	35-10	1				6-10440-12	121-56	1
			58-1077-507	35	1					123-19	
			58-1077-508	35	1					199-3	
			58-1077-509	35	1				6-10440-7	123-20	1
			58-1215	45-2	NP				6-10445	54	NP
				46					6-10445-1	54	1
			58-1215-1	45	NP				6-10473	181	4
				46					6-10473-2	181-21	32
			58-1215-503	46	1					181-30	
			58-1215-504	46	1					181-39	
			58-1215-510	46	1					181-48	
			58-1215-511	46	1					181-57	
			58-1215-519	46	1				6-10474	140	NP
										142	

AN 01-20EG-4

Section III
Numerical Parts List

U. S. Army	U. S. Navy	British	Part Number	Figure & Index No.	Total Qty.	U. S. Army	U. S. Navy	British	Part Number	Figure & Index No.	Total Qty.
			6-10474-2	140-51	2				6-11595	75-9	1
				142-31					6-11597	163-1	1
			6-10481	121-59	1				6-11597-1	163-2	1
			6-10486	121	NP				6-11597-20	163	1
			6-10486-1	121	1				6-11597-21	163	1
			6-10486-3	121	1				6-11788	65-45	1
			6-10493	111	NP				6-11831	59	3
			6-10493-10	111	1				6-11931-6	159-9	1
			6-10493-8	111-24	1				6-11931-7	159-10	1
			6-10671	111	NP				6-11939	44-15	2
			6-10693-1	25-30	1				6-11940	159	NP
			6-10693-11	25-33	1				6-11940-1	159	NP
			6-10693-3	25-31	1				6-11962	131	NP
			6-10693-5	25-32	1				6-11962-1	131-14	1
			6-10693-7	25-35	1				6-11992	63-2	1
			6-10693-9	25-34	1				6-11999	155	NP
			6-10694-1	25-19	10				6-11999-3	155	2
			6-10694-11	25-6	2				6-12406	108-38	1
			6-10694-13	25-1	2				6-12412	110-13	3
			6-10694-15	25-2	2					111-37	
			6-10694-17	25-3	2					114-17	
			6-10694-19	25-4	2				6-12417	108	1
			6-10694-21	25-5	2				6-12436	114	NP
			6-10694-3	25-10	2				6-12438	111	NP
			6-10694-5	25-9	2				6-12607-7	116-1	1
			6-10694-7	25-8	2				6-12609-11	116	1
			6-10694-9	25-7	2				6-12609-12	116	1
			6-10722	181	14				6-12609-13	116	1
			6-10722-2	181-12	14				6-12609-14	116	1
			6-10722-3	181	14				6-12609-15	116	1
			6-10736	149-7	2				6-12609-6	116	1
			6-10737	149	1				6-12609-7	116	1
			6-10737-1	149	1				6-12610-10	36	2
			6-10737-2	149	1				6-12610-3	36-25	2
			6-10737-3	149-2	1				6-12613-6	36	2
			6-10756	128	NP				6-12613-7	36-26	2
			6-10756-1	128	NP				6-12615	63	1
			6-10768	163	1				6-12616	90	1
			6-10769	163-10	1				6-12617	36-21	2
			6-10780	100-9	1				6-12624-5	111-75	1
			6-10781	127	NP				6-12625	111	NP
			6-10783-1	163-13	1				6-12625-5	111	1
			6-10789	127	NP				6-12625-7	111	1
			6-10795	141-87	1				6-12633-3	133-9	1
			6-10795-1	141-88	1				6-12633-7	133	1
			6-11058-30	101-22	2				6-12636	66-38	1
			6-11058-33	101-25	2				6-12648	133	NP
			6-11058-57	159-18	2				6-12648-1	133	NP
			6-11306	91-4	1				6-12648-6	133-43	2
			6-11306-1	91-5	1				6-12648-7	133-42	2
			6-11306-6	91	1				6-12851	114	NP
			6-11306-7	91	1				6-12851-1	114	1
			6-11306-8	91	1				6-12867	133	NP
			6-11306-9	91	1				6-12867-1	133	NP
			6-11307-1	75	1				6-12867-7	133-6	2
				89-4					6-12874-6	12	1
			6-11307-17	75	1					21-66	
				89-3						22-53	
			6-11311	163-60	1				6-12874-7	12	1
			6-11312	110	NP				6-12875-3	140-39	1
			6-11315	111	NP				6-13101	133	NP
			6-11315-1	111	NP				6-13108	131	NP
			6-11315-2	111	2				6-13108-1	131-18	1
			6-11315-3	111	2				6-13123	14	NP
			6-11474	65	NP				6-13123-1	14	NP
			6-11476	108-12	1				6-13123-2	14	1
			6-11483	108-5	1				6-13123-3	14	1
			6-11489	110	NP				6-13126	90-7	1
			6-11564	129	NP				6-13135	131	NP
			6-11567	111	NP				6-13135-1	131-10	1
			6-11570	111	NP				6-13137	111	NP
			6-11570-1	111-15	1				6-13137-1	111	1
			6-11572	111	NP				6-13150	132-30	1
			6-11572-2	111	1				6-13153	24	2
			6-11572-3	111	1				6-13153-1	24	2
			6-11582	106-1	4				6-13160	133	NP
			6-11583	110	NP				6-13160-1	133-4	1
			6-11588	75-10	1				6-13175	111	NP

Section III
Numerical Parts List

T.O. 1B-17G-4

U. S. Army	U. S. Navy	British	Part Number	Figure & Index No.	Total Qty.	U. S. Army	U. S. Navy	British	Part Number	Figure & Index No.	Total Qty.
			6-13175-1	111	2				6-14193	108	NP
			6-13175-3	111	NP				6-14201	35-5	4
			6-13180	111	NP				5-14232	141-71	1
			6-13180-1	111	1				6-14253	141-70	1
			6-13180-2	111-10	1				6-14253-7	141-72	1
			6-13180-3	111	1				6-14255	144-55	1
			6-13180-4	111	1				5-14256	141-56	1
			6-13181	152-30	1				6-14263	53-9	1
			6-13183	152-33	1				6-14270-10	141-2	1
			6-13184	147-51	1				5-14270-9	141-4	1
			6-13191-2	121-55	1				6-14272	53-7	1
				123-1					6-14273	53-11	1
				199-2					5-14275	141-58	1
			6-13193	147-12	1				6-14276	141-63	1
			6-13372	114	NP				6-14277-5	84	2
			6-13378	151-11	1				6-14277-6	84	2
			6-13393	79-13	1				6-14301	141-78	1
			6-13419	79-7	1				5-14301-1	141-79	1
			6-13503	45	NP				6-14306	140-73	1
			6-13503-1	45	NP				6-14307-4	53-13	1
			6-13504	45	NP				6-14309	141-5	1
			6-13505	45	NP				6-14310	53-3	2
			6-13527	130	NP				6-14315-5	53-6	1
			6-13530	158	2				6-14315-7	53-4	1
			6-13541	153-10	1				6-14324-5	53-18	1
			6-13541-1	153	1				6-14324-7	53-20	1
			6-13542	153-9	1				6-14326	53-26	1
			6-13542-1	153-15	1				6-14335	53-1	1
			6-13656	111	NP				6-14341	53-33	1
			6-13656-2	111	1				6-14341-10	53	1
			6-13677	153	1				5-14343	141-6	1
				110-32					6-14344	141-7	1
			6-13686	52	NP				6-14345	44-31	1
			6-13686-1	52	NP				6-14364	144-1	1
			6-13686-2	52	2				6-14370	140-18	1
			6-13687	153	1				6-14374	140-45	1
			6-13687-1	153-20	1				6-14375	140-60	1
			6-13699	133	NP				6-14376	140-62	1
			6-13699-1	133-5	1				6-14377	140-63	1
			6-13699-3	133	1				6-14378	140-65	1
			6-13822	58-19	1				6-14379-12	140-71	1
			6-13839	133	NP				6-14380	140-74	1
			6-13839-3	133-37	1				6-14391	53-25	1
			6-13846	116-28	1				6-14397	144-6	1
			6-13846-11	116	1				6-14405-1	57-41	3
			6-13916	142	NP					57-55	
			6-13916-1	142-9	1				6-14406	53-56	2
			6-13918	108	NP				6-14419-9	140-11	1
			6-13921	142	NP				6-14420	140-7	1
			6-13921-1	142-8	1				6-14421	144-12	1
			6-13928	115	NP				6-14424	111	NP
			6-13937	110	NP				6-14424-1	111-53	1
			6-13937-1	110	1				5-14425	155	NP
			6-13942	108-9	1				6-14425-1	115-14	1
			6-13943	108-6	1				6-14428-9	140-4	1
			6-14027-1	80-21	1				6-1443-2	30-9	1
			6-14027-2	80	1				6-14432	36-24	2
			6-14061	24-35	NP				6-14433-14	140-9	1
			6-14061-1	24-36	NP				6-14444-9	53-70	2
			6-14061-2	24-37	NP				6-14445	67-6	2
			6-14101	35	4				6-14452-1	140-76	1
			6-14117	113	NP				6-14453	140-78	1
			6-14117-1	113	NP				5-14454	140-80	1
			6-14117-2	113	1				6-14455	140-81	1
			6-14117-3	113	1				6-14456	140-82	1
			6-14134	21-68	NP				6-14457	140-83	1
				69					6-14458	140-28	1
			6-14134-1	21	NP				6-14459	140-24	1
				69					6-14460	140-22	1
			6-14136	69-51	1				6-14461	140-30	1
			6-14136-1	69-52	1				6-14467	53-22	1
			6-14136-3	69	1				6-14478	121-57	1
			6-14136-4	69	1				6-14480	140-72	1
			6-14152	131	NP				6-14481	56-2	2
			6-14152-3	131	1				6-14488	141-68	1
			6-14152-4	131	1				6-14489	141-66	1
			6-14189	35	4				6-14498	141-64	1
			6-14189-1	35-4	4				6-14499	53-57	1

T. O. 1B-17G-4

Section III
Numerical Parts List

U. S. Army	U. S. Navy	British	Part Number	Figure & Index No.	Total Qty.	U. S. Army	U. S. Navy	British	Part Number	Figure & Index No.	Total Qty.
			6-14508	83	NP				6-16234	59	1
			6-14513	68-14	1				6-16234-1	59	1
			6-14518	115	NP				6-16234-3	59	2
			6-14518-1	115	NP				6-16240	59	1
			6-14522	68-45	1				6-16240-1	59	1
			6-14525	100-10	1				6-16240-2	59	1
			6-14528	68-21	1				6-16240-3	59	1
				159					6-16240-4	59	1
			6-14533	68-43	1				6-16276	141-14	1
			6-14538	81-15	1				6-16277	141-12	1
			6-14550	68	NP				6-16278	111	NP
			6-14550-1	68-42	1				6-16324	147-15	1
				159-40					6-16324-1	147-82	3
			6-14557	68	NP					149-18	2
			6-14557-1	68-44	1				6-16324-2	151-28	2
				159-41					6-16324-3	150	1
			6-14649	91-9	1				6-16324-4	150-29	1
			6-14768	119	NP				6-16324-5	146-31	1
			6-14771	68-16	1				6-16324-6	146-32	1
			6-14780	111	NP				6-16324-7	146-33	1
			6-14783	66-47	1				6-16324-8	146-35	1
			6-14790	68	NP				6-16324-9	146-34	1
			6-14790-1	68	NP				6-16326-5	140-6	1
			6-14790-2	68	2				6-16331	141-54	1
				159-44					6-16332	141-47	1
			6-14790-3	68	2				6-16339	141-19	2
				159-45						141-31	
			6-14798	66	NP				6-16340	141-24	1
			6-14798-1	66	1				6-16341	141-26	2
				159-31						141-38	
			6-14926	114	NP				6-16342-6	141-29	1
			6-14948	113	NP				6-16346	141-21	1
			6-14963	12	6				6-16350-10	141-32	1
			6-14979	119-16	1				6-16355-5	141-33	1
			6-14979-1	119	1				6-16359	191-13	1
			6-15200	113	NP				6-16360	191	1
			6-15203	147-17	1				6-16364	138	NP
			6-15229	100-18	1				6-16364-1	138	2
				111-77					6-16371-11	130-36	1
				119-1					6-16371-7	130-37	1
			6-15229-1	119	1				6-16382	17	NP
			6-15229-2	119-11	1				6-16382-1	17	NP
			6-15229-3	119-3	1				6-16383	44	2
			6-15229-5	119	1				6-16383-2	44	2
			6-15229-6	119	1						
			6-15233	175-4	1						
			6-15242	175-5	1						
			6-15258	110	NP						
			6-15264	56	1				6-16389	57-42	2
			6-15264-1	56	1					57-56	
			6-15264-2	56-15	1				6-16399	140	1
			6-15264-3	56-16	1				6-16811	165	2
			6-15264-4	56	4				6-16818	101	*1
			6-15264-5	56	4				6-16819	102	1
			6-15265	141-60	1				6-16884	111	NP
			6-15270-2	57-39	1				6-16886	32-26	36
			6-15270-3	57-53	1					33-41	
			6-15273	141-75	1					34-31	
			6-15273-1	141-74	1				6-16899	146-42	2
			6-15274	141-61	1				6-16910	146-39	1
			6-15279	141-62	1				6-16910-1	146	1
			6-15295	57-18	2				6-16910-2	146-40	1
			6-1537-10SS3	125-15	1				6-16910-3	146	1
			6-1537-11S2	125	1				6-16941	176	72
			6-1537-12D1	125-17	1					182-54	
			6-1537-13SS10	125-19	1				6-16963	65-20	2
			6-1537-14D1	125-23	1					65-32	
			6-1537-15D1	125-24	1				6-16964	65-19	1
			6-1537-9D1	125-21	1				6-16967	140-35	1
			6-15541	71	NP				6-16971	146	2
			6-15541-2	57-62	1				6-16981	65-31	1
				71					6-16982	108-48	1
			6-15544	9	NP				6-16982-1	108	1
			6-15544-1	9	1				6-17007	110	1
				57-67					6-17011	47-10	1
			6-15547	116	1				6-17011-1	47-9	1
			6-15549	53-51	1				6-17023	150-21	1
			6-15854	119-24	1				6-17024	140-19	1
									6-17091-2	11	2

Section III
Numerical Parts List

T.O. 1B-17G-4

U. S. Army	U. S. Navy	British	Part Number	Figure & Index No.	Total Qty.	U. S. Army	U. S. Navy	British	Part Number	Figure & Index No.	Total Qty.
			6-18201	141-37	1				6-3850-8	68-37	2
			6-18225	127	NP				6-3850-9	68-38	2
			6-18258	11	2				6-3851	68-35	1
			6-18300	23	8				6-3851-1	68-36	1
				28-22					6-3854	69-14	1
			6-18301	23	1				6-3854-1	69-13	1
			6-18301-1	28	1				6-3856-10	69-18	2
			6-18301-2	23	1				6-3856-9	69-17	2
			6-18301-3	28	3				6-4048	174-6	1
			6-18301-4	23	4				6-4856	66	1
			6-18301-5	28	4					95-19	
			6-18301-6	23	4				6-7189-19	130	NP
			6-18301-7	23	1				6-7189-19	130	NP
			6-18301-8	23	1				6-7193	130	NP
			6-18328	32-42	1				6-7198	155-21	3
			6-18328-1	33	1				6-7198-1	155	2
			6-18386	79-9	1				6-7369	44-18	2
			6-18929	111	NP				6-7370	100-1	1
			6-18929-1	111-57	1				6-7538	46-6	2
			6-18950	22-54	1				6-7582	130	NP
			6-18990	76-34	1				6-7593	102-44	1
			6-19330	45	1				6-7593-1	102-12	1
			6-19330-1	45	1				6-7595	102-45	1
			6-19330-2	45	2				6-7595-1	102-9	1
			6-19349	147-18	1				6-7625	110-25	3
			6-19357	127	2					129	
			6-19359	147	NP					130-19	
			6-19366	129	NP				6-7625-6	110	1
			6-19366-1	129-8	1				6-7733	35-11	2
			6-19371	133	NP				6-7733-1	35	2
			6-19371-1	133-7	1				6-7734	114	1
			6-19423	130	1				6-7734-1	114	1
			6-19424	118-1	1				6-7741	33-34	1
			6-19424-1	118-2	1				6-7741-1	33	1
			6-19436	85	1				6-7791-21	66	NP
			6-19474	119	NP					99-2	
			6-20319	163	79				6-7791-22	66	NP
			6-20319-1	163	6					99-3	
			6-20629	146	NP				6-7798	35-21	1
			6-20671	33	1				6-7798-1	35	1
			6-20677	146	NP				6-7799	142	NP
			6-20680	146-9	2				6-7841	34	1
			6-20711	17-42	4				6-7841-1	34	NP
			6-20729	45	NP				6-7841-2	34-2	1
			6-20729-1	45	NP				6-7841-3	34	1
			6-20732	24-15	6				6-7887	142	NP
				24-29					6-7889	113	NP
				24-46					6-7889-1	113	NP
			6-20769	24-43	NP				6-7899-2	111	NP
			6-20769-1	24-44	NP				6-7907	33	NP
			6-20769-2	24-45	NP				6-7907-10	33	2
			6-20769-3	24-27	2				6-7907-2	33	NP
			6-20769-4	24-13	2				6-7907-9	33-44	1
			6-20786	11-14	2				6-7919-7	33-2	1
			6-20786-1	11-15	2				6-7929	36-2	2
			6-20786-2	11-16	2				6-7956	127	NP
			6-20786-3	11-17	2				6-7988	120	NP
			6-20792	160-8	1				6-7988-2	120-11	1
			6-20796	128	NP				6-7993	34-7	1
			6-22008	134	4				6-7993-1	34	1
			6-22008-10	134	2				6-7993-10	34	1
			6-22008-12	134	8				6-7993-11	34	1
			6-22008-14	134	2				6-7998-8	34-1	1
			6-22008-16	134	2				6-7998-9	34	1
			6-22008-18	134	4				6-7999	34-5	1
			6-22008-2	134	12				6-7999-1	34	1
			6-22008-4	134	2				6-7999-6	34	1
			6-22008-6	134	12				6-7999-7	34	1
				135					6-8006	120	NP
			6-22008-8	134	20				6-8006-1	120	1
				135					6-8072	33-28	11
			6-22010	150	2					33-40	
			6-22015	150	1					34-27	
			6-22015-3	150	1					33-29	4
			6-22016	150	1					34-23	
			6-22016-3	150	1				6-8101	38	NP
			6-22019	118-28	1				6-8101-1	38	NP
			6-22044	160-7	1				6-8101-5	38-21	1
			6-22090	150-39	2				6-8101-6	38	1
			6-22114	150-46	2				6-8129-2	18-11	1
			6-22134	13-3	2				6-8129-3	18	1
			6-22200	127	1				6-8130	155	2
			6-22681	150-38	2						

AN 01-20EG-4

Section III
Numerical Parts List

U. S. Army	U. S. Navy	British	Part Number	Figure & Index No.	Total Qty.	U. S. Army	U. S. Navy	British	Part Number	Figure & Index No.	Total Qty.
			5-8130-1	155-29	3					59-20	
			6-8134	135-50	1					59-32	
			6-8143	66-35	NP				6-9214	44	NP
				138					6-9214-3	44-3	1
			6-8143-7	138-36	2				6-9214-5	44	1
			6-8145	92-29	2				6-9216-5	116	1
			6-8145-1	92-30	2				6-9216-7	116-26	1
			6-8152	142-47	1				6-9219	5-2	2
			6-8247-1	83	1				6-9219-10	5	2
			6-8265	187-16	1				6-9220	11-8	4
			6-8265-1	187	1					11-11	
			6-8311	13-45	NP				6-9221	58-27	1
				187					6-9222	58-28	1
			6-8311-1	13	NP				6-9227-1	112	1
				187					6-9228	37	NP
			6-8311-12	187	2				6-9265	77-8	1
			6-8311-13	187	1				6-9265-1	77	1
			6-8311-14	187	1				6-9265-2	77	1
			6-8314-18	13-44	NP				6-9265-3	77-7	1
				187					6-9265-4	77-11	4
			6-8315	13	NP				6-9268	21-27	1
				187					6-9279	12-35	1
			6-8325	19-19	1				6-9279-1	12-34	1
				44-12					6-9279-2	12	2
			6-8345-15	154-18	2				6-9280	80-2	1
			6-8345-18	154	NP				6-9281	171	1
			6-8345-19	154	NP				6-9281-1	171-8	1
			6-8345-20	154-10	2				6-9283	173	1
			6-8345-3	154-14	2				6-9284	173-5	1
			6-8365	6-9	1				6-9285	163-5	1
			6-8365-1	6	1				6-9285-1	163-6	1
			6-8375	95	NP				6-9287	75-6	1
				39-57					6-9288	75-7	1
			6-8376	9	NP				6-9290	12-2	8
				40-60						12-4	
			6-8376-1	40	1					12-7	
			6-8460	17-13	2					12-8	
			6-8460-1	17-35	2				6-9313-5	46	1
			6-8463	34-26	1				6-9313-6	46	1
			6-8463-1	34	1				6-9314-2	46-3	1
			6-8476	17-37	4				6-9321	58-18	2
				17-39					6-9325-1	113-7	1
			6-8526	16	NP				6-9325-4	113-6	1
			6-8526-1	16	NP				6-9325-8	113	1
			6-8526-30	16-29	1				6-9325-9	113	1
			6-8526-31	16	1				6-9332	81-20	1
			6-8527	16-26	1				6-9336	108	NP
			6-8527-13	16	1				6-9336-1	108-30	1
			6-8532	16-20	1				6-9340	79	NP
			6-8532-1	16	1				6-9340-2	79	1
			6-8533	166-12	2					90-19	
			6-8655	143-14	1				6-9340-9	79-22	1
			6-8657	143-29	1				6-9343	174-18	2
			6-8657-10	53-41	1					175-20	
			6-8658	143-31	1				6-9343-3	174	2
			6-8659	143-3	1					175	
			6-8826	130	NP				6-9352	23	NP
			6-8943	83-27	1				6-9352-1	23	NP
			6-8944	115	NP				6-9352-2	23-1	1
			6-8945	172-16	1				6-9352-3	23	1
			6-8945-2	172	1				6-9354-10	130-20	1
			6-8946	5-1	2				6-9355	172	NP
			6-8946-5	5	2				6-9355-1	172	1
			6-8952	171-20	1				6-9356	171	NP
			6-8959	172-20	1				6-9356-1	171	1
			6-8969-5	25-11	4				6-9374-1	106	1
			6-8969-500	25-12	4				6-9374-2	106	1
			6-8979	81-31	1				6-9375	59-24	2
			6-8988	69	NP				6-9376	59-25	2
			6-8988-1	69	2				6-9392	136-10	1
			6-8988-3	69-31	1				6-9402-1	108	NP
			6-8988-4	69-34	1				6-9408-2	62-4	2
			6-8992-6	2-38	1				6-9440	7-27	1
			6-8992-7	2	1				6-9442-1	62-12	1
			6-9204	75-19	2				6-9442-2	62	1
			6-9205	108	NP				6-9442-3	62	1
			6-9208	58-20	6				6-9442-4	62	1
				58-26					6-9446	151-31	1

Section III
Numerical Parts List

T.O. 1B-17G-4

U. S. Army	U. S. Navy	British	Part Number	Figure & Index No.	Total Qty.	U. S. Army	U. S. Navy	British	Part Number	Figure & Index No.	Total Qty.
			6-9447	48-30	4				61-6189-1	93-19	4
				182-1					61-6866	12-21	14
				192-1						12-26	
				200-2					61-6866-3	12-17	8
			6-9449	59-16	1				61-7431	84-18	4
			6-9449-1	59	1				61-7431-1	84-19	4
			6-9449-3	59-17	2				61-9396-2	167-46	2
			6-9450	111	NP				61-9846	83-13	1
			6-9450-1	111-42	1				62	131-8	1
			6-9452	59-28	1				624	109-38	1
			6-9452-1	59-29	1						
			6-9452-4	59-30	1				64-1031	2-13	NP
			6-9455	58	NP					4	
			6-9455-1	58	NP				64-1031-1	2	NP
			6-9455-4	58-21	1					4	
			6-9455-5	58	1				64-1031-32	4-2	1
			6-9458	58	NP				64-1031-33	4	1
			6-9458-1	58-36	1				64-1031-400	4-1	1
			6-9468	81-26	1				64-1031-401	4	1
			6-9474	115	NP				64-1031-408	4-9	1
			6-9474-2	115	1				64-1031-409	4	1
			6-9480	187	NP				64-1031-410	4-8	1
			6-9481-12	140	2				64-1031-411	4	1
				142					64-1031-418	4-7	1
			6-9481-9	140-52	2				64-1031-419	4	1
				142-32					64-1031-425	4-3	1
			6-9490	186	NP				64-1031-426	4	1
			6-9492	182	2				64-1031-500	4-6	1
			6-9492-2	182-12	2				64-1031-501	4	1
			6-9492-3	182-28	2				64-1031-535	4	1
			6-9492-4	182	2				64-1031-536	4	1
			6-9494	186	NP				64-1031-537	4	1
			6-9502	187	NP				64-1031-538	4-4	1
			6-9509	113	NP				64-1031-546	4-5	1
			6-9509-1	113	NP				64-1031-547	4	1
			6-9509-2	113-3	1				64-1031-553	4	1
			6-9509-3	113-4	1				64-1031-554	4	1
			6-9582	74	NP				64-1080	2	NP
			6-9582-1	74	NP				64-1080-1	2	NP
			6-9582-2	74-9	1				64-1424-531	3	1
			6-9592-3	74	1					5	
			6-9588	23	NP				64-1424-532	3	1
			6-9588-1	23	NP					5	
			6-9588-2	23-2	1				64-1425	6	1
			6-9588-3	23	1				64-1425-529	3	1
			6-9588-7	23	1				64-1425-530	3	1
			6-9589	151	1				64-1434-508	10	1
			6-9589-1	151-9	1				64-1434-509	10	1
			6-9592	25-28	1				64-1490	12	NP
			6-9593	25-25	1				64-1490-1	12	NP
			6-9596	33-36	2				64-1490-15	12-13	1
			6-9597-3	25-13	2				64-1490-16	12	1
			6-9622	151	NP				64-1490-17	12-23	1
			6-9705	127	NP				64-1490-18	12	1
			6-9708	130	NP				64-1490-19	12-14	1
			6-9708-7	130	1				64-1490-20	12	1
			6-9987-2	127	1				64-1490-21	12-15	1
			6-9987-3	127	1				64-1490-22	12	1
			6-9987-4	127	1				64-1490-25	12-24	1
			6-9987-8	127-6	1				64-1490-26	12	1
			6AO-366	108-37	1				64-1490-27	12-16	1
			6A1174	108-36	1				64-1490-28	12	1
			6M342	82-57	2				64-1490-29	12-25	1
			6M343	82-49	2				64-1490-30	12	1
			6M344	92-59	2				64-1490-411	12-10	1
			6M345	82-46	2				64-1490-412	12	1
			6M377	82-56	2				64-1490-413	12-19	1
			6001DD1-4D	49-7	4				64-1490-414	12	1
				204-5					64-1490-423	12-20	1
			6041H57	46-11	2				64-1490-424	12	1
			6046H11	113	1				64-1498-502	168-29	2
			60870	135-32	4				64-1498-504	166	1
				135-42						168-1	
				205-4					64-1498-505	166	1
			61-5642	84-9	2					168	
			61-5642-1	84	2				64-1600	89-2	NP
			61-5837	6-3	1					93	
			61-5837-1	6	1					193-2	

AN 01-20EG-4

Section III
Numerical Parts List

U. S. Army	U. S. Navy	British	Part Number	Figure & Index No.	Total Qty.	U. S. Army	U. S. Navy	British	Part Number	Figure & Index No.	Total Qty.
			64-1600-600	93	1				65-5299	14	NP
			64-1600-601	93	1				65-5299-1	14	NP
			64-1600-602	93	1				65-5594	52	NP
			64-1600-603	93	1					136	
			64-1680	11	NP				65-5594-500	136-45	1
				33					65-5594-501	136-46	1
			64-1680-1	11	NP				65-5594-502	136-48	1
				33					65-5594-503	136-49	1
			64-1680-500	11-1	2				65-5594-512	52-3	1
				33-45					65-5594-513	52-21	1
			64-1680-503	11	2				65-5594-514	52-19	1
				33					65-5594-520	136-61	1
			64-1680-507	11	2				65-5594-523	136	1
				33-47					65-5594-524	52	1
			64-1680-511	11-2	2				65-5594-525	52	1
				33-46					65-5594-526	52	1
			64-1680-519	11	2				65-5594-528	52	1
				33					65-5594-529	52	1
			64-1680-524	11	2				65-5594-533	52-5	1
				33					65-5594-534	52-6	1
			64-1694-505	82-29	1				65-5594-536	52-20	1
			64-1694-506	82-28	1				65-5594-540	52	1
			64-1697	67	NP				65-5594-541	52	1
			64-1697-1	67	NP				65-5594-544	136-60	1
			64-1697-511	67-13	1				65-5594-548	52-4	1
			64-1697-512	67	1				65-5594-561	52-17	1
			64-1698	82	NP				65-5594-562	52-18	1
			64-1698-3	82-18	1				65-5594-563	52-16	1
			64-1698-500	82-22	1				65-5594-564	52-15	1
			64-1698-501	82-27	1				65-5594-567	52	1
			64-1698-504	82-23	1				65-5594-568	52	1
			64-1741-506	132	NP				65-5594-569	52	1
			64-1741-514	132	1				65-5594-570	2	1
			64-2054	11	NP				65-5594-571	136-68	1
			64-2054-1	11	NP				65-5594-572	136	1
			64-2054-406	11-19	2				65-5594-573	52-13	1
			6403B	67	2				65-5594-587	52-1	1
			6403D	78-10	5				65-5594-588	52-2	1
				84					65-5594-589	52-10	1
			6411B	79	5				65-5594-590	52-14	1
				79-1					65-5594-591	52-12	1
			645849J	148-3	1				65-5594-592	52	1
			649742	109-17	1				65-5594-593	52	1
			65-1332-504	138-32	1				65-5594-594	52	1
			65-1741-509	132	1				65-5594-597	136-69	1
			65-3584	6-22	NP				65-5594-598	136-70	1
			65-3584-2	6-24	1				65-5594-599	136-57	1
			65-3584-3	6-25	1				65-5594-600	136-58	1
			65-3584-4	6-28	1				65-5594-601	136-50	1
			65-3584-500	6-23	1				65-5594-604	136-59	1
			65-3584-501	6	1				65-5594-605	52	1
			65-3584-7	6-27	1				65-5594-606	136	1
			65-4101-400	156-4	1				65-5594-607	136	1
			65-4101-502	156	NP				65-5594-608	136	1
			65-4101-503	156	1				65-5594-609	136	1
			65-4101-504	154-5	1				65-5594-610	52	1
				156-1					65-5594-611	52	1
			65-4127-500	155-15	5				65-5594-612	52	1
			65-4127-503	154-7	1				65-5594-613	52	1
				155					65-5594-614	52	1
			65-4127-504	154-1	1				65-5594-615	52	1
				155					65-5594-616	52	1
			65-4127-505	154	1				65-5594-617	52	1
				155					65-5594-618	52	1
			65-4127-506	154-8	1				65-5594-619	136-62	1
				155					65-5594-620	136-72	1
			65-4127-508	154-9	1				65-5594-621	136-73	1
				155-1					65-5594-631	52	1
			65-4127-6	155-17	5				65-5660	49	NP
			65-4139-501	154	NP					138	
				159-26						204	
			65-4774	5	NP				65-5660-17	49-20	1
			65-4774-1	5	NP				65-5660-29	138-8	1
			65-4774-553	5-12	1				65-5660-34	49	1
			65-4774-554	5	1				65-5660-409	138-13	1
			65-4782-512	10	1				65-5660-414	138-15	1
			65-4782-513	10	1				65-5660-49	49-15	2
			65-5280-506	83-12	1					138-7	

Section III
Numerical Parts List

AN 01-20EG-4

U. S. Army	U. S. Navy	British	Part Number	Figure & Index No.	Total Qty.	U. S. Army	U. S. Navy	British	Part Number	Figure & Index No.	Total Qty.
			65-5680-5	49-8	1				65-5679-421	51-3	2
			65-5680-501	138-4	1				65-5679-422	51-2	2
			65-5680-502	138-2	1				65-5679-425	51	1
			65-5680-503	138-12	1				65-5679-439	51-17	1
			65-5680-504	138-9	1				65-5679-448	51	1
			65-5680-505	49-11	2				65-5679-467	135	2
			65-5680-506	49-12	2				65-5679-512	51-7	1
			65-5680-507	49-13	2				65-5679-513	51-8	1
			65-5680-508	49-14	2				65-5679-516	51	1
			65-5680-509	49-21	2				65-5679-517	51	1
			65-5680-51	49-23	2				65-5679-520	135-35	1
				138-10					65-5679-521	135-34	1
			65-5680-510	49-22	2				65-5679-522	135-25	1
			65-5680-517	49	1				65-5679-526	51-5	1
			65-5680-518	49-19	1				65-5679-535	135-24	1
			65-5680-519	49-18	1				65-5679-537	135-21	1
			65-5680-520	49	1				65-5679-540	135-17	1
			65-5680-521	138-16	1				65-5679-542	135-23	1
			65-5680-522	138-11	1				65-5679-543	51	1
			65-5680-523	49-16	1				65-5679-544	135-22	1
			65-5680-524	138-1	1				65-5679-548	51-16	1
			65-5680-525	49-5	1				65-5679-549	51-15	1
			65-5680-526	49-17	1				65-5679-550	51-14	1
			65-5680-528	49	1				65-5679-551	51	1
			65-5680-529	138-35	1				65-5679-552	51	1
			65-5680-530	49-9	1				65-5679-553	51	1
			65-5680-531	138-34	1				65-5679-554	135-7	1
			65-5680-532	49-6	1				65-5679-555	51-9	1
			65-5680-533	138-3	1				65-5679-556	135-11	1
			65-5680-534	49	1				65-5679-557	135-5	1
			65-5680-535	49	1				65-5679-558	51-13	1
			65-5680-536	138-18	1					135-6	
			65-5680-537	49	1				65-5679-559	51-20	1
			65-5680-539	49	1					135-12	
			65-5680-54	49	1				65-5679-560	135-14	1
			65-5680-540	49-1	4				65-5679-561	135-18	1
			65-5680-541	49-4	4				65-5679-562	135-2	1
			65-5680-542	49	1				65-5679-563	135-8	1
			65-5680-543	49	1				65-5679-564	135-9	1
			65-5680-544	49	1				65-5679-565	135-10	1
			65-5680-545	49	1				65-5679-566	51-10	1
			65-5680-546	49	2				65-5679-567	135-15	1
			65-5680-547	49	2				65-5679-568	135-19	1
			65-5680-548	49	2				65-5679-569	51	1
			65-5680-549	49	2					135-16	
			65-5680-550	49	1				65-5679-570	51	1
			65-5680-551	49	1					135-20	
			65-5680-552	49	1				65-5679-571	135-1	1
			65-5680-553	49	1				65-5679-572	51	1
			65-5680-554	138-19	1				65-5679-573	135-3	1
			65-5680-555	138-20	1				65-5679-574	135-4	1
			65-5680-556	138-23	1				65-5679-578	51-18	1
			65-5680-557	138-24	1				65-5679-579	51-11	1
			65-5680-558	138-25	1				65-5679-580	51-19	1
			65-5680-559	138-26	1				65-5679-581	51-12	1
			65-5680-560	138-28	1				65-5679-582	51	1
			65-5680-561	138-21	1				65-5679-583	51	1
			65-5680-562	138-22	1				65-5679-584	51	1
			65-5680-564	49-2	4				65-5679-585	51	1
			65-5680-565	49-3	4				65-5679-587	135-38	1
			65-5680-6	49-10	2				65-5679-588	135-37	1
			65-5667-13	65-3	2				65-5679-589	135-36	1
			65-5667-17	65-7	1				65-5679-590	139-39	1
			65-5667-22	65	1				65-5679-591	51	1
			65-5667-26	65-5	2				65-5679-592	135-13	1
			65-5667-503	65-4	1				65-5679-593	135-46	1
			65-5667-504	65	1				65-5679-594	135-47	1
			65-5667-505	65-6	1				65-5679-595	135	2
			65-5667-506	65	1				65-5679-596	135	1
			65-5667-507	65-8	1				65-5679-597	135	1
			65-5667-508	65	1				65-5679-598	135	1
			65-5679	51	NP				65-5679-599	135	1
				135					65-5679-602	51	1
				205					65-5679-603	51	1
			65-5679-400	135-29	1				65-5679-604	51	1
			65-5679-401	135-33	1				65-5679-605	51	1
			65-5679-402	135-26	1				65-5679-606	51	2
			65-5679-411	51-6	1				65-5679-607	51	2

AN 01-20EG-4

Section III
Numerical Parts List

U. S. Army	U. S. Navy	British	Part Number	Figure & Index No.	Total Qty.	U. S. Army	U. S. Navy	British	Part Number	Figure & Index No.	Total Qty.
			65-5679-608	51	1				65-6154	11	NP
			65-5679-609	51	1					40-51	
			65-5679-610	51	1					42	
			65-5679-611	51	1				65-6154-500	42-1	1
			65-5689-515	100	1				65-6154-502	42	1
			65-5715	135	NP				65-6154-504	42	1
			65-5715-501	135-52	1				65-6242-108	26	1
			65-5715-502	135-53	1				65-6242-130	26	1
			65-5715-507	135-54	1				65-6242-132	26	1
			65-5715-508	135-55	1				65-6242-152	26	1
			65-5783-606	82-10	1				65-6242-153	26	1
			65-5821-32	121-26	1				65-6242-154	26	1
			65-5821-44	121-15	1				65-6242-21	26-44	1
			65-5821-527	121-19	1				65-6242-22	26-43	1
			65-5821-535	121-35	1				65-6242-21	26-44	1
			65-5821-555	121-25	1				65-6242-23	26-45	1
			65-5821-566	121-37	1				65-6242-604	26-22	1
			65-5821-577	121-27	1				65-6242-605	26-46	1
			65-5821-578	121-12	1				65-6242-606	27-29	1
			65-5821-582	121-10	1				65-6242-607	27-44	1
			65-5821-594	121-13	1				65-6242-608	26-18	2
			65-5915	14	NP					27-42	
			65-5915-1	14	NP				65-6242-616	26-17	2
			65-5915-500	14-3	1					27-33	
			65-5915-501	14	1				65-6242-617	26-36	1
			65-5915-502	14-2	1				65-6242-618	27-14	1
			65-5915-503	14	1				65-6242-620	26-16	1
			65-5915-504	14-1	1				65-6242-621	26-32	2
			65-5915-505	14	1					27-16	
			65-5975	33	NP				65-6242-622	27-35	1
			65-5975-1	33	NP				65-6242-633	27-15	1
			65-5975-410	33-30	1				65-6242-634	190	2
			65-5975-411	33	1					191-2	
			65-5975-511	33-38	1				65-6242-636	190-2	2
			65-5975-512	33	1					191	
			65-5975-517	33-33	1				65-6242-646	190-8	1
			65-5975-518	33	1				65-6242-647	191-9	1
			65-5975-519	33	1				65-6242-648	190	1
			65-5975-520	33	1				65-6242-649	191	1
			65-5975-610	33-39	1				65-6242-653	191-12	1
			65-5975-611	33	1				65-6242-654	191-11	1
			65-5975-614	33	1				65-6242-655	191-4	1
			65-5975-615	33	1				65-6242-659	191	1
			65-5982	15	NP				65-6242-660	191	1
			65-5982-1	15	NP				65-6242-666	26-20	1
			65-5982-500	15-15	1				65-6242-667	26-38	1
			65-5982-501	15	1				65-6242-668	27-28	1
			65-6019	16	NP				65-6242-669	27-43	1
			65-6019-1	16	NP				65-6242-67	26	1
			65-6019-514	16	1				65-6242-673	26-42	1
			65-6019-515	16-10	1				65-6242-674	26-41	1
			65-6019-516	16-9	1				65-6242-676	26-37	1
			65-6019-517	16	1				65-6242-677	26-24	1
			65-6019-518	16-8	1				65-6242-679	26-23	1
			65-6019-519	16	1				65-6242-682	27-37	1
			65-6019-545	16	1				65-6242-686	27-26	1
			65-6019-546	16	1				65-6242-687	27-39	1
			65-6019-547	16-11	1				65-6242-688	27-22	1
			65-6019-548	16	1				65-6242-689	27-24	1
			65-6019-557	16-12	1				65-6242-69	26	1
			65-6019-558	16	1				65-6242-690	27-23	1
			65-6044	13-47	NP				65-6242-696	190-1	4
				187						191-1	
			65-6044-1	13	NP				65-6242-701	191	1
				187					65-6525-501	17-27	1
			65-6093	33-7	1				65-6525-502	17	1
				36					65-6525-503	17	1
			65-6093-1	33	1				65-6690	17	1
				36						178-48	
			65-6093-513	36-1	2				65-6690-1	17	1
			65-6142	11-21	NP					178	
				39-60					65-6690-500	17-12	1
				41					65-6690-501	17	1
			65-6142-500	41-1	1				65-6690-506	17	2
			65-6142-502	41-21	1					178	
			65-6142-505	41	1				65-6690-507	17	2
			65-6142-506	41	1				65-6691-10	54-34	1
									65-6691-15	54-29	1

Section III
Numerical Parts List

AN 01-20EG-4

U. S. Army	U. S. Navy	British	Part Number	Figure & Index No.	Total Qty.	U. S. Army	U. S. Navy	British	Part Number	Figure & Index No.	Total Qty.
			65-6691-18	54-27	1				65-7672-503	183-28	1
			65-6691-19	54-28	1				65-7960	176-3	2
			65-6691-20	54-30	1				65-7961	176-2	2
			65-6691-21	54-31	1				65-7962	176-1	4
			65-6691-22	54-32	1				655-4	126-13	4
			65-6691-3	54-1	1				655-5	126	1
			65-6691-4	54-2	1				655-6	126-16	2
			65-6691-503	54-20	1				656768	109-16	1
			65-6691-6	54-9	As Req.				659060	145-10	3
			65-6691-9	54-33	1					150-32	
			65-6705	54-42	NP				66-25507	121	1
				143						199	
			65-6806-3	161	NP				66-5529	10-19	1
				162					66-5529-1	10	1
			65-7331	75	1				66-5530	10-26	1
				77					66-5530-1	10	1
				78					66-5531	10-1	1
				79					66-5531-1	10	1
			65-7331-2	75	1				66-5532	10-7	1
				77					66-5532-1	10	1
				78					6612-10Z	76	22
				79					6732-03	109-33	1
			65-7350	17	NP				677-1	126-10	1
				178					677-2	126-18	1
				183					677-3	126-4	1
			65-7359-500	177	NP				677-4	126-7	1
			65-7359-501	177	NP				677-5	126-8	1
			65-7359-502	177	NP				677-6	126	1
			65-7359-503	177	NP				677-7	126	1
			65-7359-507	177	4				677-8	126-3	1
			65-7359-510	177	1				677-9	126-11	1
			65-7359-511	177-24	1				678-1	126-2	1
				179					68-763-419	6	NP
				180					68-763-420	6	NP
			65-7359-512	177	1				68-763-421	6	1
			65-7359-513	177	1				68-763-422	6	1
			65-7359-514	177	1				68-767-16	6	NP
			65-7359-515	177	1				68-767-17	6	NP
			65-7359-516	177	4				68-767-18	6	1
			65-7380-514	108-20	NP				68-767-19	6	1
				109					68-771-16	6	NP
			65-7380-521	109-25	4				68-771-17	6	NP
			65-7380-534	109	1				68-771-18	6	1
			65-7380-540	109	1				68-771-19	6	1
			65-7380-542	109	1				69-1787	172-1	1
			65-7380-544	109	1					174-1	
			65-7380-545	109	1				69-1787-1	174-21	2
			65-7380-546	109	1					175-23	
			65-7380-547	109	1				69-1787-12	175	1
			65-7380-549	109	1				69-1787-13	172	1
			65-7380-550	109	1					175-1	
			65-7380-551	109	1				69-1787-14	174-23	1
			65-7380-555	109	1				69-1787-15	174-24	1
			65-7387	163	NP				69-1787-2	174-22	2
			65-7387-510	163	1					175-24	
			65-7387-511	163-27	1				69-1787-4	174	1
			65-7590	107	NP				69-2423	54-21	3
				108-45					69-2423-601	54-23	3
			65-7590-500	107-17	1				69-2423-602	54-24	3
			65-7590-502	107-22	1				69-2423-605	54-22	3
			65-7590-503	107-23	1				69-2423-606	54-25	3
			65-7590-508	107-28	1				69-2423-607	54-26	3
			65-7590-512	107-21	1				69-3659	114	NP
			65-7590-514	107-26	1				69-3659-614	114	1
			65-7590-517	107-24	1				69-3659-615	114	1
			65-7590-525	107-19	1				69-3659-616	114	1
			65-7590-527	107-7	1				7	145-13	1
			65-7590-532	107-29	1				7-1335-1	44	NP
			65-7590-534	107-18	1				7-1345	18-9	1
			65-7590-535	107-20	1				7-1345-1	18	1
			65-7590-538	107-25	1				7-1365	20	1
			65-7590-543	107	1				7-1365-1	20	1
			65-7590-544	107-16	1				7-1365-2	20-2	1
			65-7616	176	NP				7-1365-3	20	1
			65-7616-1	176	NP				7-1365-4	20-3	1
			65-7616-2	176	NP				7-1365-5	20	1
			65-7672	183	1				7-1365-6	20-4	1
			65-7672-500	183-29	1				7-1365-7	20	1

T.O. 1B-17G-4

Section III
Numerical Parts List

U. S. Army	U. S. Navy	British	Part Number	Figure & Index No.	Total Qty	U. S. Army	U. S. Navy	British	Part Number	Figure & Index No.	Total Qty.
			7-1365-8	20-5	1				7-500-8-1	121-73	1
			7-1365-9	20	1					125-1	
			7-1370	17	NP					125-8	
			7-1371	17	NP				7-501	125-7	1
			7-1371-1	17	NP				712-1A	138-6	2
			7-1372	17	NP					204-4	
			7-1372-1	17	NP				7141	17-28	2
			7-1373	17	NP				74-1174-600	108-21	1
			7-1373-1	17	NP				74-1174-606	108	NP
			7-1500-42	25-24	1				74-1337	12	NP
			7-1500-43	25	1				74-1337-1	12	NP
			7-1503	83	NP				74-1433-601	10	1
			7-1507	75	NP				74-1433-602	10	1
			7-1509-4	25-22	1				74-1607	9-2	1
			7-1509-5	25	1				74-1607-1	9	1
			7-1515	58-33	1				74-1611-1	116-33	1
				193-5					74-1611-707	116	2
			7-1517	71	1				74-1831	1-12	NP
			7-1517-1	71	1					11	
			7-1519-6	25-23	1				74-1831-1	9	NP
			7-1519-7	25	1					11	
			7-1520-5	25-21	1				74-1831-600	11	1
			7-1520-6	25	1					33	
			7-1521-6	25-20	1				74-1831-601	11	1
			7-1521-7	25	1					33	
			7-1528	96-1	1				74-1831-624	11	1
			7-1531-1	6-35	1					33	
			7-1531-31	6-31	NP				74-1831-625	11	1
				196-8						33	
			7-1535	114-21	1				744-6	114-34	2
			7-1536	7-9	1					138-5	
				196-9						204-3	
			7-1536-1	7-19	1				75-1531-3	6-36	1
			7-1536-2	7-25	1				75-1531-4	6-37	1
			7-1536-3	7-21	1				75-1531-5	6	1
			7-1536-5	7-18	1				75-3440	69	NP
			7-1537	95-10	NP				75-3440-1	69	NP
				96					75-3441-650	68	NP
			7-1537-1	96	1				75-3441-651	68	NP
			7-1642	33-5	1				75-3448	84-3	1
			7-1642-13	33	1				75-3468	73	NP
			7-1642-9	33-6	1				75-3468-600	73-1	1
			7-1646-17	114-22	1				75-3468-605	73-6	1
			7-1646-19	114	1				75-3468-620	73-10	1
			7-1655	143-22	1				75-3468-621	73	1
			7-1958-15	45	NP				75-3469	72	NP
				46					75-3471-410	67-2	1
			7-1958-16	45-3	NP				75-3471-411	67	1
				46					75-3471-605	67-23	1
			7-1958-19	46	2				75-3471-606	67	1
			7-1958-22	46	2				75-3471-608	67-11	1
			7-1958-23	46	2				75-3741-609	67	1
			7-1958-5	46	2				75-3471-761	67-12	1
			7-1961	112-1	1				75-3471-762	67	1
			7-1961-1	112-11	1				75-3508	89-1	NP
			7-1961-10	112	1					92	
			7-1961-11	112	1					193-1	
			7-1961-2	112	1				75-3508-600	92-1	1
			7-1961-3	112-2	1				75-3508-601	92-2	1
			7-1961-9	112	1				75-3513-649	66	1
			7-2014	133	NP				75-3513-700	66	1
			7-2014-7	133	1				75-3577	66	NP
			7-2092-7	53-60	2					73	
			7-2114	132-64	1				75-3577-661	66-22	2
			7-2114-5	132	1				75-3577-668	66	1
			7-2937-17SS2	125-16	1				75-3577-669	66-24	1
			7-302	125-8	1				75-3577-679	66	1
			7-303	125-10	1				75-3577-686	66-25	1
			7-304-1	125-9	1				75-3577-719	66	1
			7-305	125-12	1				75-3590-620	3-1	1
			7-306-2	125-5	1				75-3590-621	3	1
			7-307	125-6	1				75-3590-807	3	1
			7-308	125-2	1				75-3590-808	3	1
			7-310	125-3	1				75-3684-633	74	1
			7-311	125-11	1				75-3684-634	74-2	1
			7-315	125-4	1				75-3684-635	74	1
			7-44-6631	150-33	2				75-3684-676	74-4	1
									75-3684-710	74-1	1
									75-3684-711	74	1

Section III
Numerical Parts List

AN 01-20EG-4

U. S. Army	U. S. Navy	British	Part Number	Figure & Index No.	Total Qty.	U. S. Army	U. S. Navy	British	Part Number	Figure & Index No.	Total Qty.
			75-3684-712	74-3	1				75-7336-606	106-27	2
			75-3684-713	74	1				75-7336-616	106-24	1
			75-3686	73	NP				75-7336-617	106-25	1
			75-3686-17	73-18	1				75-7336-618	106	1
			75-3686-522	73-19	1				75-7336-619	106	1
			75-3686-523	73-20	1				75-7336-620	105-22	1
			75-3686-649	73	1					106	
			75-3686-650	73	1				75-7635-612	111-47	1
			75-3686-652	73	1				7540	111	2
			75-4093-612	84-2	1					115	
			75-4093-614	84	1				7545	148-7	1
			75-4093-618	84	1				755-26-8-8	106	2
			75-4093-619	84	1				755-5-2-8	146-13	2
			75-4122	72-1	1				755-8-2-8	106	2
			75-4122-1	72-2	1				765-1	106-28	4
			75-4133	83	1				765-11	136-52	1
			75-4772-13	3-8	1				765-2	121	2
			75-4772-14	3-9	1					138-17	
			75-4772-17	3-10	1				765-3	28	8
			75-4772-18	3	1					38-6	
			75-4772-4	3-7	1				7658E	53-34	2
			75-4772-5	3	1					202-3	
			75-4772-604	3-11	1				77AT2K	109-9	4
			75-4772-605	3	1				770A2	28-2	4
			75-4781	10	1				770C01	177-9	4
			75-4781-1	10	1				78-581-744	9	1
			75-4783	10	1					10	
			75-4783-1	10	1				78-581-745	9	1
			75-4784	10	1					10	
			75-4784-1	10	1				78-582-742	9	1
			75-4799	11	NP					10	
			75-4799-1	11	NP				78-582-743	9	1
			75-4799-600	11-7	1					10	
			75-4799-601	11	1				7800-6	43-13	2
			75-4799-602	11-9	1				786-1	20-48	1
			75-4799-603	11	1					44-6	
			75-4799-706	11	1				79-2220	105	NP
			75-4799-707	11	1				79-2220-1	105	NP
			75-4799-708	11	1				79-2220-703	105-19	4
			75-4799-709	11	1				79-3021	33-15	1
			75-4801-612	166-2	1				79-3021-1	33	1
			75-4801-613	166-3	1				79-3021-737	33-16	1
			75-4801-616	166	1				8-1137-7-11P9	125-22	1
			75-4801-617	166	1				8-1142-13-10D12	55-11	1
			75-4801-620	166-1	1				8-1142-13-25CUI	125-36	1
			75-4801-621	166	1				8-1142-13-42D12	125-20	1
			75-4805-739	13-22	2				8-1262-2	6-10	1
			75-4805-763	13-36	4					195-3	
			75-5025	15	NP				8-1262-3	6	1
			75-5025-26	15	NP					195-4	
			75-5025-600	15-7	2				8-1264	59-3	2
			75-5127-617	2-32	1				8-1264-1	59-4	2
				8					8-1266	59-13	1
			75-5127-618	2	1				8-1266-1	59-14	1
				8					8-1267	59-10	1
			75-5667	65	NP				8-1267-1	59-11	1
			75-5667-600	65-1	1				8-1268-3	59-6	2
			75-5667-617	65-2	1				8-1268-4	59-7	2
			75-5977-421	15	NP				8-1269	59	1
			75-5977-422	15	NP				8-1270	59	1
			75-5977-600	15-14	1				8-1273	75-2'	2
			75-5977-601	15	1				8-1280	111	NP
			75-5977-602	15	1				8-1280-1	111	NP
			75-5977-603	15	1				8-1285	172-3	1
			75-6002	16	NP					173-1	
			75-6002-1	16	NP				8-1285-1	173-2	1
			75-6002-604	16-17	1				8-1285-6	172	1
			75-6002-605	16	1				8-1293-9	132-51	1
			75-6002-611	16	1				8-1298-1	59	NP
			75-6002-615	16	1				8-1298-3	59	2
			75-6525-16	17-24	1				8-1340-25D3	125-28	1
			75-6525-601	17-30	1				8-1521	59	NP
			75-6525-602	17-32	1				8-1521-1	59	NP
			75-6691-604	54-17	1				8-1521-2	59	2
			75-6691-606	54-12	1				8-1521-3	59-19	2
			75-6691-609	54-14	1				8-1521-4	59-21	2
									8-1522	59	NP
			75-7336	105	NP				8-1522-1	59	1
			75-7336-600	106-30	2				8-1526	71	NP

AN 01-20EG-4

Section III
Numerical Parts List

U. S. Army	U. S. Navy	British	Part Number	Figure & Index No.	Total Qty.	U. S. Army	U. S. Navy	British	Part Number	Figure & Index No.	Total Qty.
			8-1526-12	71	1				82822	145-6	NP
			8-1526-13	71	1				83-1	147	1
			8-1526-17	71	1				83400	145	1
			8-1526-18	71	1				84-1580-10	2- 30	1
			8-1532-7	115-5	1				84-1580-11	2	1
			8-1538	60	NP				84-1580-14	2-31	1
			8-1538-1	60-14	1				84-1580-15	2	1
			8-1538-2	60-15	1				84-1580-16	2-27	1
			8-1538-3	60	1				84-1580-17	2	1
			8-2548-1	12-6	2				84-1580-700	2-26	1
			8-2567	132	NP				84-1580-701	2	1
			8-2567-1	132	1				84-1580-702	2-28	1
			8-2567-3	132-1	1				84-1580-703	2	1
			8-2653	170-10	2				84-1580-8	2-29	1
			8-2654	170-4	2				84-1580-9	2	1
			8-2780	130	NP				84-1611	108-2	NP
			8-2785	141-67	1					116	
			8-2788-6	53-58	2				84-1611-706	116	1
			8-2790	53-35	1				84-1611-707	116	1
			8-2790-1	53-36	1				85-3424-767	68	1
			8-2791	53-37	4					70	
			8-2792-12	53-52	1				85-3424-772	68	1
			8-2805	79-15	1					70	
			8-2807-16	53-47	1				85-3424-776	68	1
			8-2808	53	NP					70	
			8-2808-1	53	NP				85-3445	74	NP
			8-2808-2	53-38	1				85-3445-1	74	NP
				57-14					85-3513	66	NP
			8-2808-3	53-39	1				85-3540-601	91-30	2
				57-15					85-3540-703	91-20	2
			8-2808-9	57-16	2				85-3540-706	91-37	1
			8-2827	53-62	1				85-4772-700	2-14	1
			8-2827-1	53-63	1					3	
			8-3250	163-76	1					5	
			8-3252	163-75	1					6	
			8-441-15SS8	137-7	1				85-4772-701	2	1
			8-588-2	166-55	2					3	
			8-588-3	166	2					5	
			8-588-8	166	2					6	
			8-6-6RST-D	135-27	1				85-4805	9-10	NP
			8-787-6	7-7	1					13	
			8-787-9	7	1					16	
			8-8-6JTD	121	1				85-4805-1	9	NP
			80581	119-10	1					13	
			81-2564	167-34	2					16	
			81-2565	167-35	2				85-4805-720	13	1
			81-3414	171-28	1					14	
			81-4547	83-16	3					16	
				84-5					85-4805-721	13	1
			810B4D	82-24	1					14	
			811BT5D	106	2					16	
			811CT4	105-3	8				85-4806	9-11	NP
				188						15	
				189					85-4806-1	9	NP
			811CT45-4	105-4	1					15	
			811CT45-5	106-31	2				85-4806-700	15	1
			811CT45-8	39-24	2				85-4806-701	15	1
				40-47					85-6164-601	39-4	1
			811CT5	106-26	2				85-6164-606	39-10	1
			811CT8	38-22	12				85-6164-608	39-11	1
				40-45					85-6164-609	39-7	1
				41-25					85-6164-612	39-8	2
				42-23						40-3	
				106-23					85-6164-614	39-13	1
				170-22					85-6164-618	40-6	1
				190					85-6164-619	40-2	1
				199					85-6164-622	40-8	1
			811FT4	105-7	1				85-6164-627	40-15	1
			811FT5	106	4				85-6164-700	39-5	1
			811FT8	41-26	1				85-6164-701	40-17	1
			811HT12NS	190	2				85-6164-708	39-3	1
			811JT4D	138-27	1				85-6164-709	39-2	1
			811JT6D	138-14	1				85-6164-710	39-9	1
			811JT8D	51-4	4				85-6164-711	40-4	1
			811JT8NS	51	4				85-6164-712	40-16	1
			811T5CS	106	2				85-6164-713	40-14	1
			811T4	145-7	NP				85-6164-714	40-13	1
			82500	145-1	1				85-6164-715	40-1	1

Section III
Numerical Parts List

AN 01-20EG-4

U. S. Army	U. S. Navy	British	Part Number	Figure & Index No.	Total Qty.	U. S. Army	U. S. Navy	British	Part Number	Figure & Index No.	Total Qty.
			85-6164-716	40-5	1				9-2958-1	14	NP
			85-6164-717	39-6	1				9-2958-10	14-18	1
			85-6164-718	39-1	1				9-2958-11	14	1
			85-6525	17	1				9-2958-12	14-19	1
				178-47					9-2958-13	14	1
			85-6525-705	17	1				9-2958-17	14	1
			85-6525-712	17	1				9-2958-18	14	1
				178					9-2958-19	14	1
			85-6525-713	17	1				9-2958-2	14	1
			85-6525-716	17	1				9-2958-20	14	1
			85-6525-720	17	1				9-2958-21	14	1
				178					9-2958-22	14	1
			85-6525-721	17-26	2				9-2958-3	14	1
			85-6525-722	17	1				9-2958-4	14	1
				178					9-2958-5	14	1
			85-6691	54	NP				9-2958-6	14-14	1
				143					9-2958-7	14	1
			85-6691-700	54-19	1				9-2958-3	14-15	1
			85-6691-701	54-35	1				9-2958-9	14	1
			85-6691-708	54-18	1				9-2988	34-6	2
			85-6691-709	54-13	1					36	
			85-6691-710	54-15	1				9-2988-4	36-8	8
			85-6691-712	54-16	1				9-3038	41-22	2
			85-6691-714	54-3	1					42-20	
			85-6691-716	54-4	1				9-3038-7D1	137-10	1
			85-6691-717	54	1				9-3038-8D1	137-11	1
			85-6691-718	54-10	1				9-3038-9D1	137-8	1
			85-6691-719	54-7	1				9-3040-11	39	1
			85-6691-722	54	1				9-3040-9	39	NP
			85-6691-723	54	1				9-3044	15	NP
			85787	112-5	1				9-3044-1	15	NP
			85788	112-4	1				9-3044-2	15-2	2
			8715	116-16	1				9-3048-2	18-4	1
			8805	82-25	2				9-3048-3	18	1
			8851	114-31	1				9-3049-10	40	NP
			8905K618	153-5	1				9-3049-12	40	1
			8909K520	166	2				9-3080-22	33-24	4
			895-101	167-41	4					34-34	
			9-10607	131	NP					188-12	
			9-10614	111	NP					189-13	
			9-10614-3	111	2				9-3082-1	168-35	2
			9-10618	127-47	1				9-3082-2	168-34	2
			9-10618-5	127-48	1				9-3082-2b	168	2
			9-10618-6	127-49	1				9-3084	142	NP
			9-10619	118	NP				9-3087	15	NP
			9-10631	130	NP					186	
			9-10632	118	NP				9-3087-29	186	1
			9-10632-1	118	NP				9-3087-30	186	1
			9-10644	118	NP				9-3092	83	NP
			9-10644-1	118	1				9-3092-8	83-37	1
			9-10644-2	118	1				9-3093	15	NP
			9-10675	33-13	1					186	
			9-10675-1	33	1				9-3124-33	34-17	1
			9-10695	150	1					37-12	
			9-10696	150	1				9-3124-34	34	1
			9-10831	106-52	3					37	
				155-34					9-3126	15	NP
			9-10900	130	NP					37	
			9-10984	13	NP				9-3126-1	15	NP
			9-10984-1	13	NP					37	
			9-1642-7-82	125-29	1				9-3127	15	NP
			9-1642-8SS8	125-32	1					37	
			9-2039-5D1	55-10	1				9-3186	17	NP
			9-2312-6	166-13	2				9-3186-1	17-15	3
			9-2312-7	166-14	2					17-41	
			9-2715	130	NP				9-3194	15	NP
			9-2715-1	130-39	1				9-3194-1	15	NP
			9-2901	15	NP				9-3194-14	15-28	1
			9-2901-1	15	NP				9-3194-15	15	1
			9-2901-5	15-1	2				9-3194-2	15-27	1
			9-2938-1	113	NP				9-3194-3	15	1
			9-2951	142	NP				9-3195	16	NP
			9-2951-12	142-11	1				9-3195-1	16	NP
			9-2951-7	142-10	1				9-3195-39	16-23	1
			9-2958	14	NP				9-3195-40	16	1

AN 01-20EG-4

Section III
Numerical Parts List

U. S. Army	U. S. Navy	British	Part Number	Figure & Index No.	Total Qty.	U. S. Army	U. S. Navy	British	Part Number	Figure & Index No.	Total Qty.
			9-3265	13-48	NP				9-3685-6	77-21	1
				54					9-3687	182	36
			9-3265-1	54-38	2				9-3687-2	182-55	36
			9-3265-5	54-39	4				9-3688	143-46	1
			9-3266	13	NP				9-3705	143	NP
			9-3266-1	13-1	1				9-3713	127	NP
			9-3266-11	13-2	1				9-3714	142	NP
			9-3267	143-30	1				9-3720	121-58	1
			9-3267-13	53-42	1				9-3721	162	NP
			9-3268	54-5	1				9-3721-1	162	NP
			9-3269	143-28	1				9-3723	161	NP
			9-3370	177	NP				9-3723-1	161	NP
			9-3370-1	177-25	2				9-3725-13	109-3	1
			9-3379	147-23	1				9-3725-14	109	1
			9-3424-1	181-38	2				9-3725-20	109	1
			9-3428	172-22	1				9-3725-22	109	1
			9-3441	134	NP				9-3725-23	109	1
			9-3441-1	134-23	4				9-3725-24	109	1
			9-3441-3	134-24	4				9-3725-25	109	1
			9-3442	81	1				9-3725-26	109	1
			9-3581	115	NP				9-3725-28	109	1
			9-3581-1	115-19	2				9-3725-29	109	1
			9-3581-2	115-24	1				9-3725-30	109	1
			9-3582	75-1	1				9-3725-32	109	1
			9-3586	95-13	NP				9-3725-33	109	1
				96					9-3727	39-30	NP
			9-3586-1	96	1				9-3727-1	40-25	NP
			9-3590	58	1				9-3729	9-3	NP
				95-15						39-51	
			9-3590-1	58-29	1				9-3729-1	9	NP
			9-3599	5	NP					40-53	
			9-3599-1	5	NP				9-3731	106	1
			9-3600-4	113-9	1				9-3731-1	106-2	1
			9-3601	113-10	1				9-3732	106-5	1
			9-3610	151	NP				9-3732-1	106	1
			9-3612	130	NP				9-3746	105	NP
			9-3613	58-17	1				9-3746-1	105	NP
				95-16					9-3746-2	105-18	2
			9-3614-1	181-47	2				9-3750	130	NP
			9-3640	163	NP				9-3765	127	NP
			9-3640-1	163-16	1				9-3765-1	127	1
			9-3646	129	NP				9-3765-16	127-46	1
			9-3646-6	129	1				9-3765-23	127	1
			9-3648	44-22	1				9-3769	24	1
			9-3648-1	44	1				9-3769-1	24	1
			9-3658-1	181-11	14				9-3776	131	NP
			9-3660	79	NP				9-4603	131	NP
				127					9-4604	111	NP
			9-3660-1	79-27	2				9-4607	131	NP
				127-56					9-4608	128	NP
			9-3661	143	NP				9-4611	131	NP
			9-3661-1	143-50	1				9-4616	131	NP
			9-3661-11	143-51	1				9-4647-2	131	1
			9-3663	105-14	NP				9-4648	141-89	1
				106					9-4649	46-2	1
			9-3663-1	106	NP				9-4649-12	46	1
				105-15					9-4902	128	NP
			9-3663-10	106	2				9-4918-14	45	1
			9-3663-11	106	1				9-4918-15	45	1
			9-3663-12	106	1				9-4918-16	45	1
			9-3663-13	106	1				9-4918-3	45-6	1
			9-3663-14	106	1				9-4918-6	45	NP
			9-3663-15	106	1				9-4919-14	45	1
			9-3663-16	106	1				9-4919-17	45	1
			9-3663-7	106-44	2				9-4919-18	45	1
			9-3664	58-16	4				9-4919-3	45	1
				194-4					9-4919-9	45	NP
			9-3668	105-5	NP				9-5011	108	NP
			9-3668-7	105	1				9-5023	108	NP
			9-3680	151	NP				9-5041	131	NP
			9-3680-2	151-33	2				9-5041-2	131-16	1
			9-3681	33-4	1				9-5053	79	NP
			9-3682	181-6	8					127	
			9-3685-2	77-17	4				9-5053-1	127-53	1
			9-3685-3	77-18	1					79-25	
			9-3685-5	77-19	2				9-5058	131	NP
				77-20					9-5058-13	131	1

**Section III
Numerical Parts List**

AN 01-20EG-4

U. S. Army	U. S. Navy	British	Part Number	Figure & Index No.	Total Qty.	U. S. Army	U. S. Navy	British	Part Number	Figure & Index No.	Total Qty.
			9-5058-7	118-15	2				9-5640-1	68-6	1
				131-3						87-4	
			9-5058-8	131	1				9-5642	68	NP
			9-5060-1	184-11	1				9-5642-1	68-7	1
			9-5062	131	NP					87-5	
			9-5062-1	131-13	1				9-5644	136	NP
			9-5064	117-11	1				9-5644-3	136-51	1
			9-5067	63	1				9-5775	153-22	1
			9-5077	108	1				9-5785	153-2	1
			9-5077-3	108-10	1				9-5804	158	1
			9-5082	65-41	1				9-5804-1	158-3	2
			9-5206	59-9	1				9-5876	133	NP
			9-5211	34-11	2				9-5876-1	133	NP
			9-5212	33-12	2				9-5876-13	133-14	2
			9-5212-4	33	2				9-5876-19	133-15	2
			9-5213	34-8	2				9-5876-23	133	2
			9-5258	157-2	1				9-5877	110	NP
			9-5258-1	157-8	1				9-5883	68-1	1
			9-5259-1	157	1					159-32	
			9-5259-10	157	1				9-5884	132	NP
			9-5259-11	157	1				9-5884-1	132-56	1
			9-5259-2	157	1				9-5884-10	132	1
			9-5259-3	157	1				9-5884-7	132	1
			9-5259-4	157	1				9-5887	68	NP
			9-5259-6	157	1				9-5892	114-3	2
				113-25					9-5894	108	NP
			9-5302-8	35-3	4				9-5895	108	NP
			9-5305	33-8	1				9-5895-1	108	1
			9-5305-1	33	1				9-5897	68-5	1
			9-5311	90-2	NP				9-5898	43	NP
				196-2					9-5898-1	43	NP
			9-5314	80	NP				9-6015	185-3	1
			9-5314-1	80	1				9-6022	172-43	1
			9-5326	24	1				9-6048	119	NP
			9-5326-1	24	1				9-6048-1	119	NP
			9-5327	24	1				9-6073	111	NP
			9-5327-1	24	1				9-6073-1	111	1
			9-5405-3	110	1				9-6103	74-11	1
			9-5405-4	111	1				9-6103-1	74	1
			9-5405-5	114	1				9-6105	74	NP
			9-5405-6	114	1				9-6105-1	74	NP
			9-5405-7	114-18	1				9-6105-2	74-10	1
			9-5405-8	111	1					159-46	
			9-5405-9	110	1				9-6105-3	74	1
			9-5501	110	NP				9-6115	81-13	1
			9-5502	110	1				9-6116	130	NP
			9-5502-1	110	1				9-6116-1	130-30	1
			9-5502-2	110	1				9-6116-2	130-31	2
			9-5502-3	110	1				9-6116-6	130-29	2
			9-5523	133	NP				9-6134	68-58	1
			9-5523-11	133	1				9-6134-1	68-59	1
			9-5523-7	133-21	1				9-6143	68-18	1
			9-5523-8	133-19	1				9-6256-3	66-40	1
			9-5525	111	NP				9-6262	66-46	1
			9-5538	39-61	1				9-6265	66	NP
				42					9-6265-1	66	1
			9-5538-1	40-52	1					159-30	
				41					9-6274	66	NP
			9-5538-2	41	2				9-6274-1	66	1
				42						159-28	
			9-5538-6	41-24	2				9-6291	71-6	1
				42-22					9-6452	127-17	1
			9-5539	39-18	1				9-6452-13	127-16	1
			9-5539-1	40-41	1				9-6452-16	127-19	1
			9-5539-2	39	2				6-6452-19	127-15	1
				40					9-6452-21	127	1
			9-5539-5	39-20	1				9-6452-26	127-20	1
			9-5539-7	40-43	1				9-6452-30	127-21	1
			9-5598-3	12	1				9-6452-33	127-22	1
			9-5598-1	12	NP				9-6452-37	127-23	1
			9-5598-2	12-1	1				9-6452-4	127-14	1
			9-5598-3	12	1				9-6452-41	127	1
			9-5607	131	NP				9-6452-9	127-18	1
			9-5611	170-7	2				9-6459	129	NP
			9-5621	79	NP				9-6469	71	NP
			9-5622	71-7	1				9-6469-1	71	1
			9-5625	71-8	1					159-48	
			9-5640	68	NP						

AN 01-20EG-4

Section III
Numerical Parts List

U. S. Army	U. S. Navy	British	Part Number	Figure & Index No.	Total Qty.	U. S. Army	U. S. Navy	British	Part Number	Figure & Index No.	Total Qty.
			9-6473	119	NP				9-7080-7	53-61	2
			9-6473-2	119-18	2				9-7084	140-43	1
			9-6481-2	79	1				9-7084-1	140-40	1
				150-19					9-7092	140-21	1
			9-6482-2	79	1				9-7093	140-14	1
				155-20					9-7096	140-57	1
			9-6483	129	NP				9-7207	170-1	2
			9-6602	45	NP				9-7207-1	170-6	2
			9-6602-1	45	2				9-7207-2	170-20	2
			9-6602-4	45	2				9-7221	53	NP
			9-6603	45	NP				9-7221-1	53-30	1
			9-6603-1	45-32	2				9-7221-10	53-31	1
			9-6603-4	45-34	2				9-7230	30	1
			9-6606	127	NP				9-7231	30	1
			9-6606-2	127-8	1				9-7232	30	1
			9-6607	71-11	1				9-7249-4	53-54	1
			9-6607-2	71	1				9-7252-4	53-56	1
			9-6608	71	NP				9-7255	57-58	1
			9-6608-1	71	NP				9-7256	57	NP
			9-6608-2	71	1				9-7256-1	57-57	1
				88-6					9-7257	9	NP
				89-5					9-7257-1	9	1
			9-6608-3	71	1					57-66	
				88-7					9-7284	141	NP
				89-6					9-7284-1	141-8	1
			9-6610	68-10	1				9-7285	166	NP
			9-6610-1	68	1				9-7285-1	166	NP
			9-6611	68	NP				9-7285-3	166-41	2
			9-6611-1	68	NP				9-7285-5	166-43	4
			9-6611-2	68-8	1				9-7285-6	166	2
				88-4					9-7286	69-2	1
				89-11					9-7288-5	53-49	1
			9-6611-3	68-9	1				9-7290	69-4	1
				88-5					9-7281	69	NP
				89-12					9-7281-1	57-60	1
			9-6612	98	1					69-3	
			9-6617	98-10	1				9-7284-2	71-9	1
			9-6617-5	98	1				9-7287	71-10	1
			9-6617-8	98	1				9-7288	9-7	1
			9-6617-9	98	1				9-7289	9-16	1
			9-6623	43	NP				9-7294	53-44	1
			9-6623-1	43	NP				9-7298	9	NP
			9-6715	141-23	1				9-7298-1	9	1
			9-6719	138	NP					57-65	
			9-6719-1	138	1				9-7304	113	NP
			6-6730-1	17-36	2				9-7304-1	113	1
			9-6742	44-25	1				9-7306	71	NP
			9-6742-3	44	1				9-7306-1	57-61	1
			9-6749	44	1					71	
			9-6749-4	44	1				9-7312	69	NP
			9-6749-5	44	1				9-7312-1	57-59	1
			9-6775	98	NP					69-1	
			9-6776-0	98-7	1				9-7321	81-28	1
			9-6776-7	98	1				9-7342	116-2	1
			9-6776-8	98	1				9-7342-2	116	1
			9-6783	108-17	1				9-7342-4	116	1
			9-6784	108	NP				9-7342-6	116	1
			9-6784-1	108	1				9-7358	141-45	1
			9-6784-2	108-19	1				9-7358-6	141	1
			9-6784-7	108	1				9-7367-10	132	2
			9-6790	130	NP				9-7367-6	132-37	2
			9-6861	165	2				9-7374	141-10	1
				166					9-7375-14	141-16	1
			9-6882	114	NP				9-7375-9	141-15	1
			9-6882-1	114	1				9-7380	140-42	1
			9-6882-3	114-16	1				9-7381	140	NP
			9-6882-4	114	1				9-7508	128	NP
			9-6883	28	1				9-7512	84	NP
			9-6883-1	28	1				9-7512-1	84-23	2
			9-6883-2	28	1				9-7512-5	84	2
			9-6883-3	28	1				9-7512-8	84	NP
			9-7045	98	NP				9-7525	146-38	2
			9-7049	119	NP				9-7527	108	NP
			9-7050	53-32	1				9-7545	65-17	1
			9-7051	53-12	1					146-38	
			9-7066	66-43	4				9-7545-1	65-29	1
				66-44						146-37	
			9-7079	53-40	1				9-7553	140-32	1

Section III
Numerical Parts List

AN 01-20EG-4

<i>U. S. Army</i>	<i>U. S. Navy</i>	<i>British</i>	<i>Part Number</i>	<i>Figure & Index No.</i>	<i>Total Qty.</i>	<i>U. S. Army</i>	<i>U. S. Navy</i>	<i>British</i>	<i>Part Number</i>	<i>Figure & Index No.</i>	<i>Total Qty.</i>
			9-7556	140-36	1				9-9897-1	146	NP
			9-7557	146	1				9-9897-2	146	1
			9-7557-2	146	1				9-9897-3	146	1
			9-7577	17	NP				905-6	19-38	16
			9-7577-1	17	NP					20-34	
			9-7945	141-34	1					97-22	
			9-7955	71-2	NP					169-9	
				127						169-35	
			9-7956	71-3	NP				908-16	23-23	2
			9-7996	21-67	NP				91-9284	41	1
				22-59					915-4C	177	4
				69						184-13	
			9-7996-1	69-53	1				94-1128-419	6	NP
			9-8083	79-8	1				94-1128-420	6	NP
			9-8083-1	79	1				94-1128-421	6	1
			9-8940	108	NP				94-1128-422	6	1
			9-8951	147-92	2				940-11	70-32	1
			9-8965	136	NP				940-416	77	38
			9-8965-1	136	1					77-27	
			9-8973	147-43	1				940167	106-43	2
			9-9153	111	NP					113-28	
			9-9153-1	111	NP					198-14	
			9-9156	143-47	1				95-3425	69	1
			9-9160	127	NP					70	
			9-9165	110	NP				95-3684-806	74	NP
			9-9177	133	NP				95-3684-807	74	NP
			9-9177-1	133-38	1				95-4808-600	11-18	1
			9-9177-2	133	1				95-4808-601	11	1
			9-9184	133	NP				95-4808-824	11	NP
			9-9184-1	133-47	1				95-4808-825	11	NP
			9-9184-2	133	1				95-6525	17	1
			9-9186	130	NP					178-46	
			9-9191	119-21	2				95-6525-805	17-34	1
			9-9196	131	NP				95-6525-811	17	1
			9-9199	119	NP					178	
			9-9199-1	119	NP				95-6525-812	17	1
			9-9199-2	119	1				95-6525-814	17	1
			9-9199-3	119	1				95-6525-819	17	1
			9-9208	22	NP					178	
			9-9208-1	22	NP				95-6525-820	17	1
			9-9208-7	22-58	2					178	
			9-9208-8	22	2				9565H2A	111-58	2
			9-9209	132	NP				962	127-32	1
			9-9232	131	NP				97-5103-12S35	148	2
			9-9354	129-19	1				985	82-55	2
			9-9872	133	NP				987-4	113-16	2
			9-9872-1	133-48	1				9900	82-47	2
			9-9897	146	NP						



Section four

**STANDARD
PARTS LIST**

All standard parts listed in the assembly breakdown list of this Parts Catalog are listed in numerical order in the Numerical Parts List. Therefore, a separate standards list has not been included.



Section five

SERVICE TOOLS

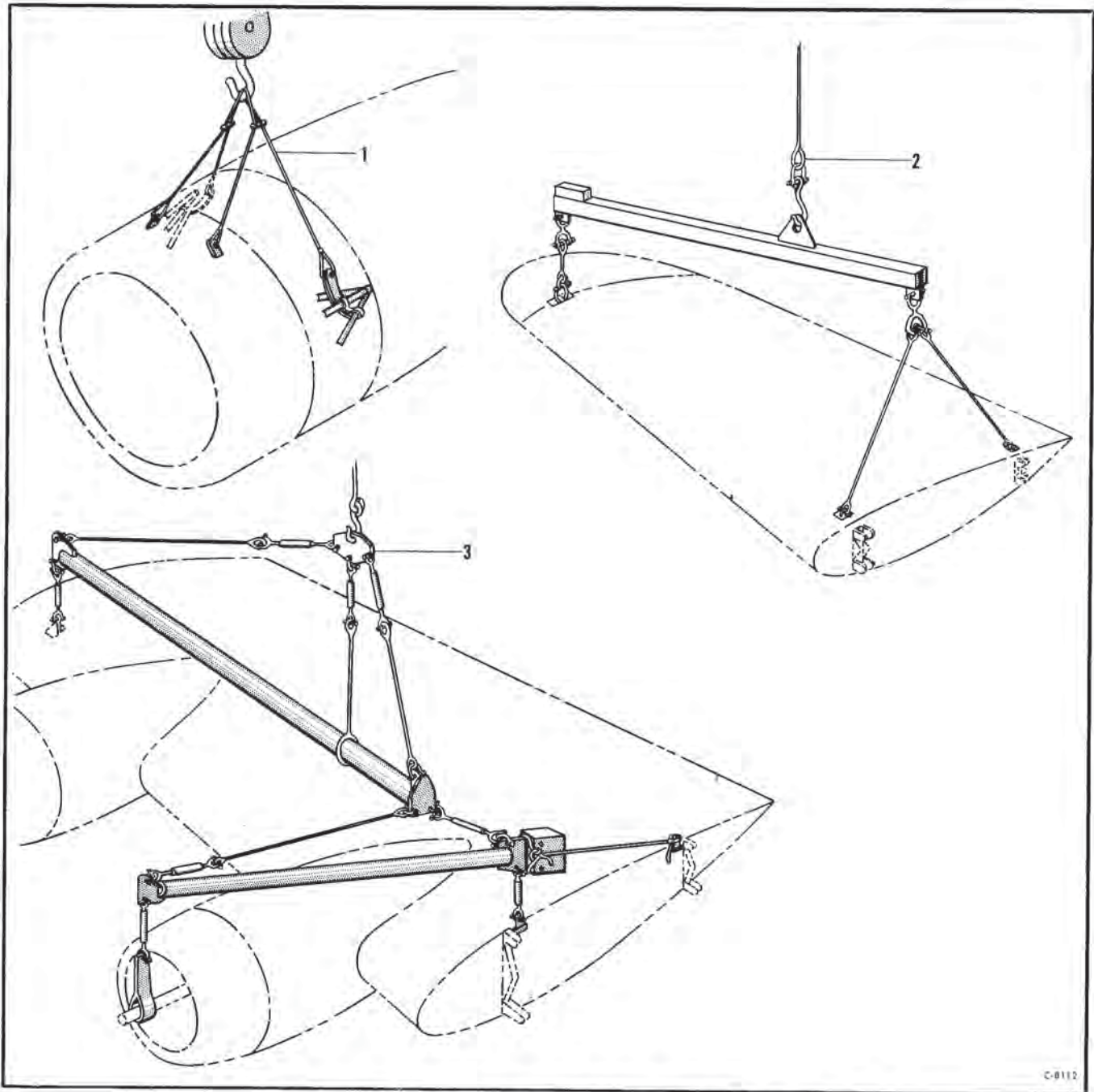


Figure 207—Engine and Wing Panels Hoisting Slings

Engine and Wing Panels Hoisting Slings

Figure & Index No.	Part Number	1	2	3	4	5	6	7	Nomenclature	Usage Code	Units Per Assy.
207-1	F10700								Engine and Wing Panels Hoisting Slings.....		1
2	F10200								Sling—Quick change unit engine hoisting.....		1
3	F10400								Sling—Outboard wing panel hoisting.....		1
									Sling—Inboard wing panel hoisting.....		1

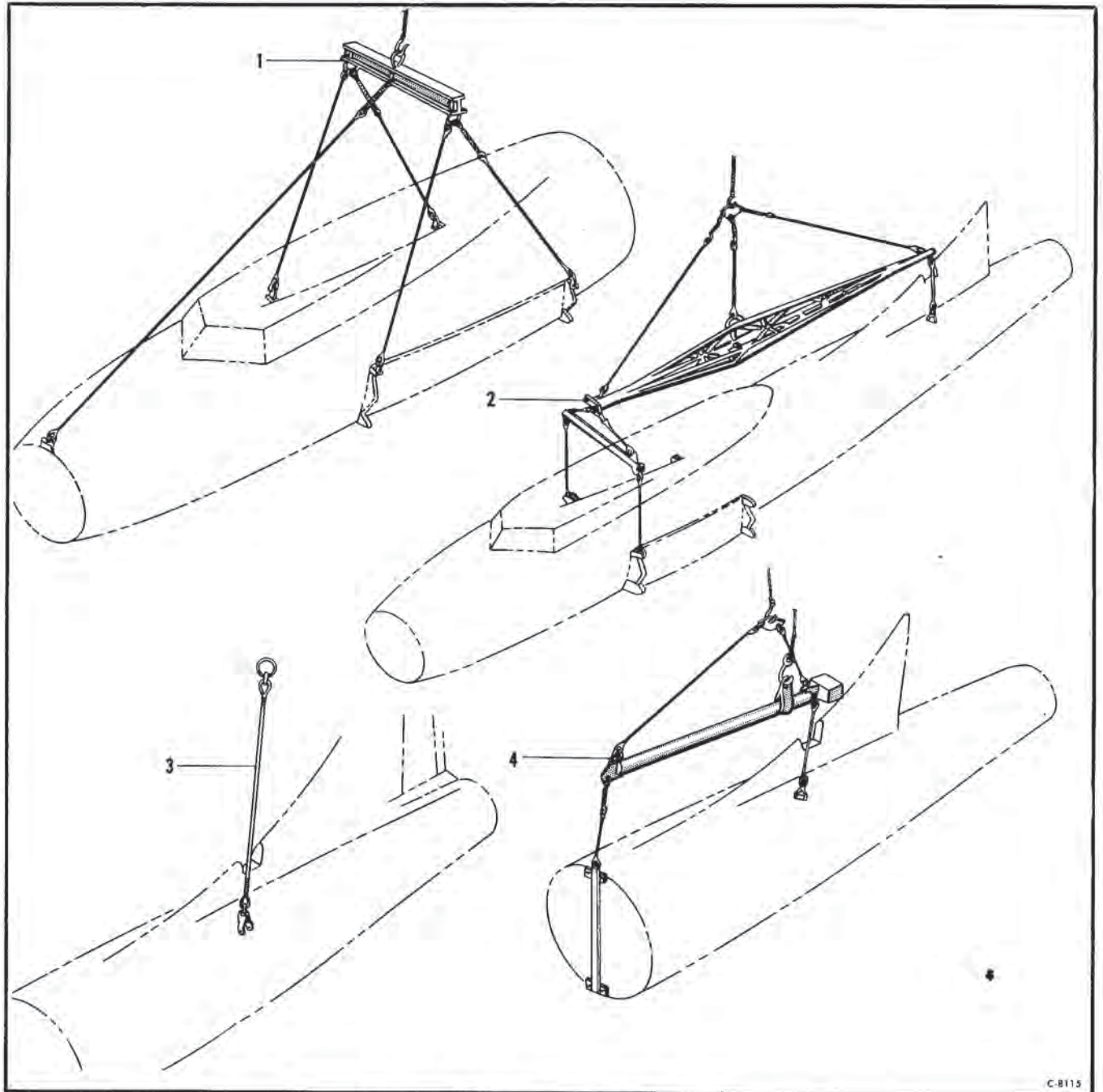


Figure 208—Fuselage Hoisting Slings

Fuselage Hoisting Slings

Figure & Index No.	Part Number	1	2	3	4	5	6	7	Nomenclature	Usage Code	Units Per Assy.
208-1	F10900								Fuselage Hoisting Slings.....		1
2	F10500								Sling—Fuselage station 1 to 6 hoisting.....		1
3	F10300								Sling—Fuselage hoisting.....		1
4	F11000								Sling—Tail hoisting.....		1
									Sling—Fuselage station 6 to 11 hoisting.....		1

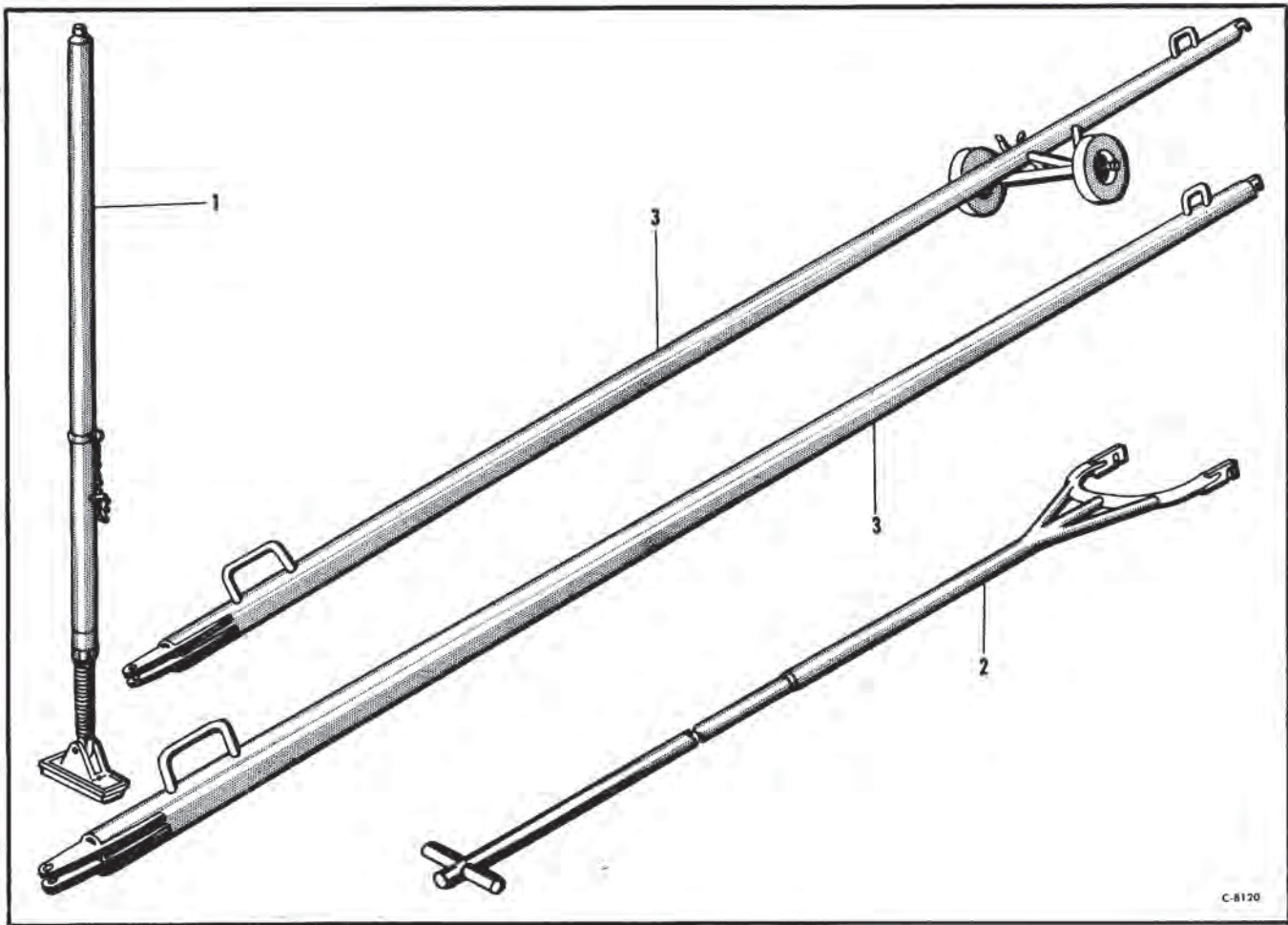


Figure 209—Ground Handling Equipment

Ground Handling Equipment

Figure & Index No.	Part Number	1	2	3	4	5	6	7	Nomenclature	Usage Code	Units Per Assy.
209-1	F10800								Ground Handling Equipment.....		1
2	F10100								Support—Engine nacelle.....		1
3	F10000								Bar—Tail wheel steering.....		1
									Bar Assemblies—Front wheel towing (2 pieces).....		1

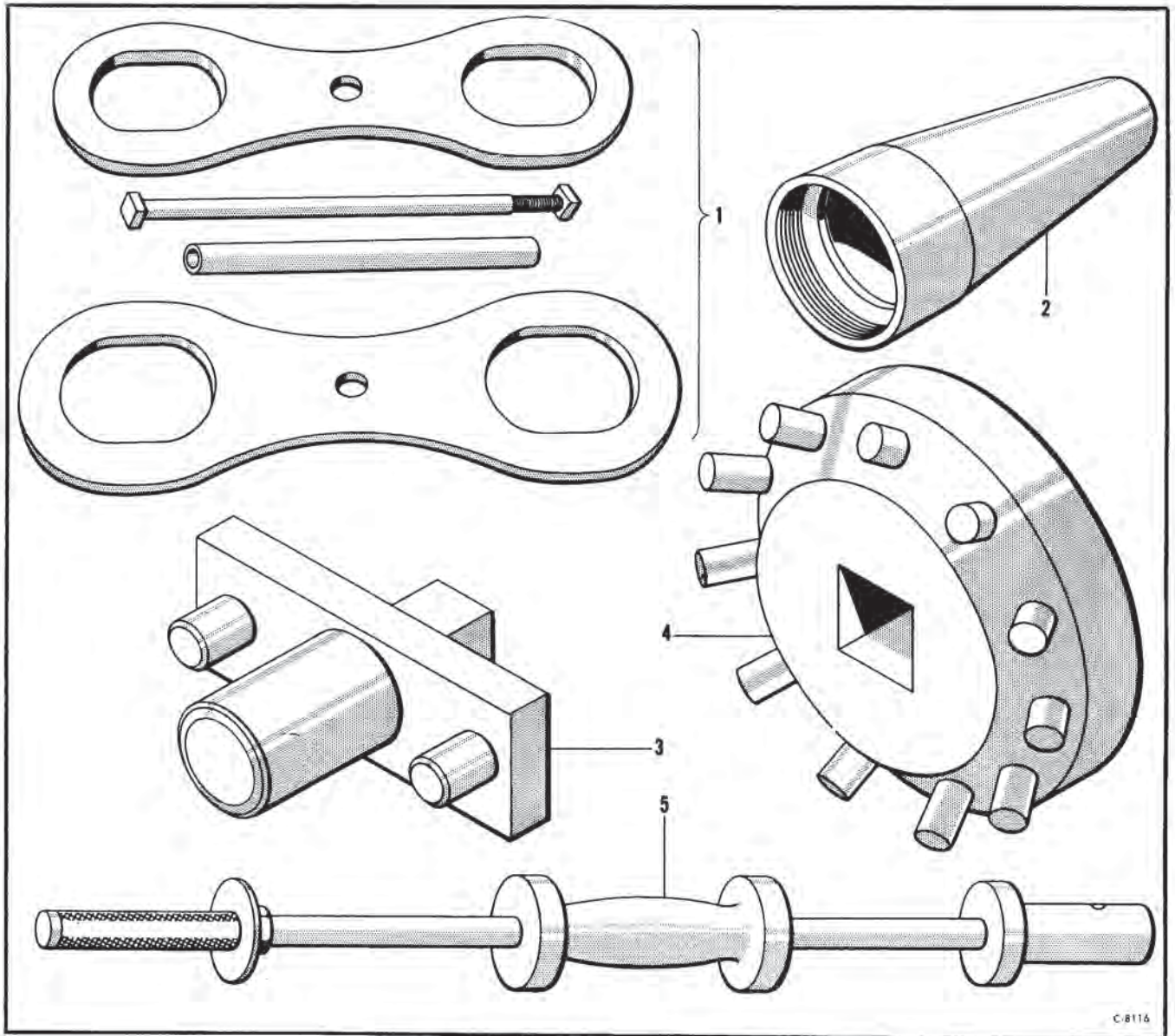


Figure 210—Service Tools

Figure & Index No.	Part Number	1	2	3	4	5	6	7	Nomenclature	Usage Code	Units Per Assy.
210-1	F20900								Scissors—Main oleo retaining link (4 pieces).....		1
2	F22200								Tool—Landing gear wheel installation.....		1
3	F21400								Wrench—Main landing gear adjusting nut.....		1
4	F21500								Wrench—Main landing gear screw gear.....		1
5	F22600								Inserter and Puller—Landing gear pin.....		1

**Section V
Service Tools**

AN 01-20EG-4

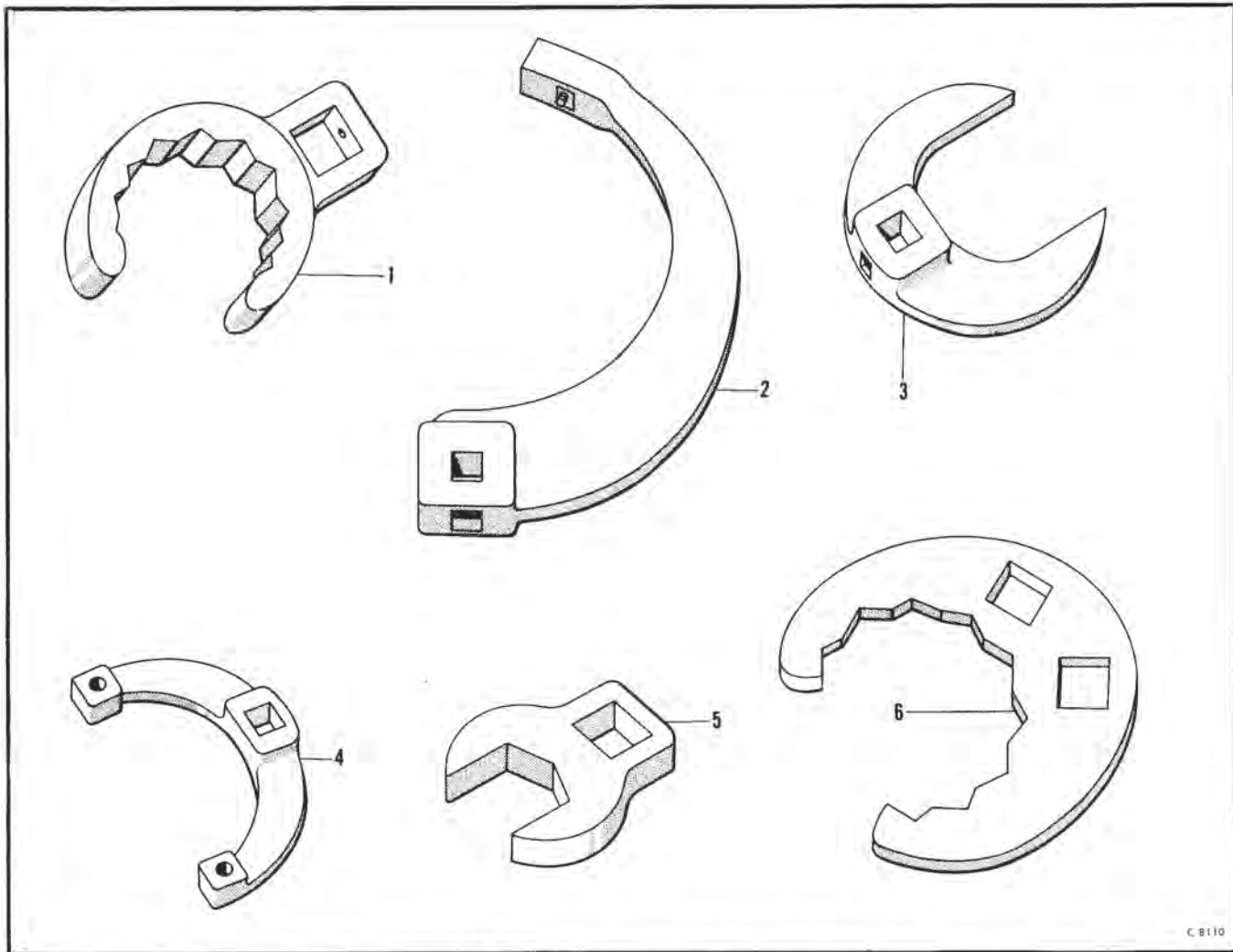


Figure 211—Service Tools

Service Tools

Figure & Index No.	Part Number	1	2	3	4	5	6	Nomenclature	Usage Code	Units Per Assy.
211-1	F21901							Wrench—9-16 in. crowfoot		1
	F21902							Wrench—5-8 in. crowfoot		1
	F21903							Wrench—11-16 in. crowfoot		1
	F21904							Wrench—7-8 in. crowfoot		1
	F21914							Wrench—15-16 in. crowfoot		1
	F21905							Wrench—1 in. crowfoot		1
	F21906							Wrench—1 3-16 in. crowfoot		1
2	F21907							Wrench—1 1-2 in. crowfoot		1
	F20410							Wrench—Main landing gear oleo packing nut spanner		1
	F20411							Wrench—Main landing gear oleo lock ring spanner		1
	F20412							Wrench—Tail wheel oleo lock ring spanner		1
	F20413							Wrench—Tail wheel oleo packing nut spanner		1
3	F21126						Wrench—Oil return line crowfoot		1	
4	F20510							Wrench—Retracting gear housing cap spanner		1
5	F21908							Wrench—1 15-16 in. crowfoot		1
6	F20301							Wrench—Starter and generator crowfoot		1

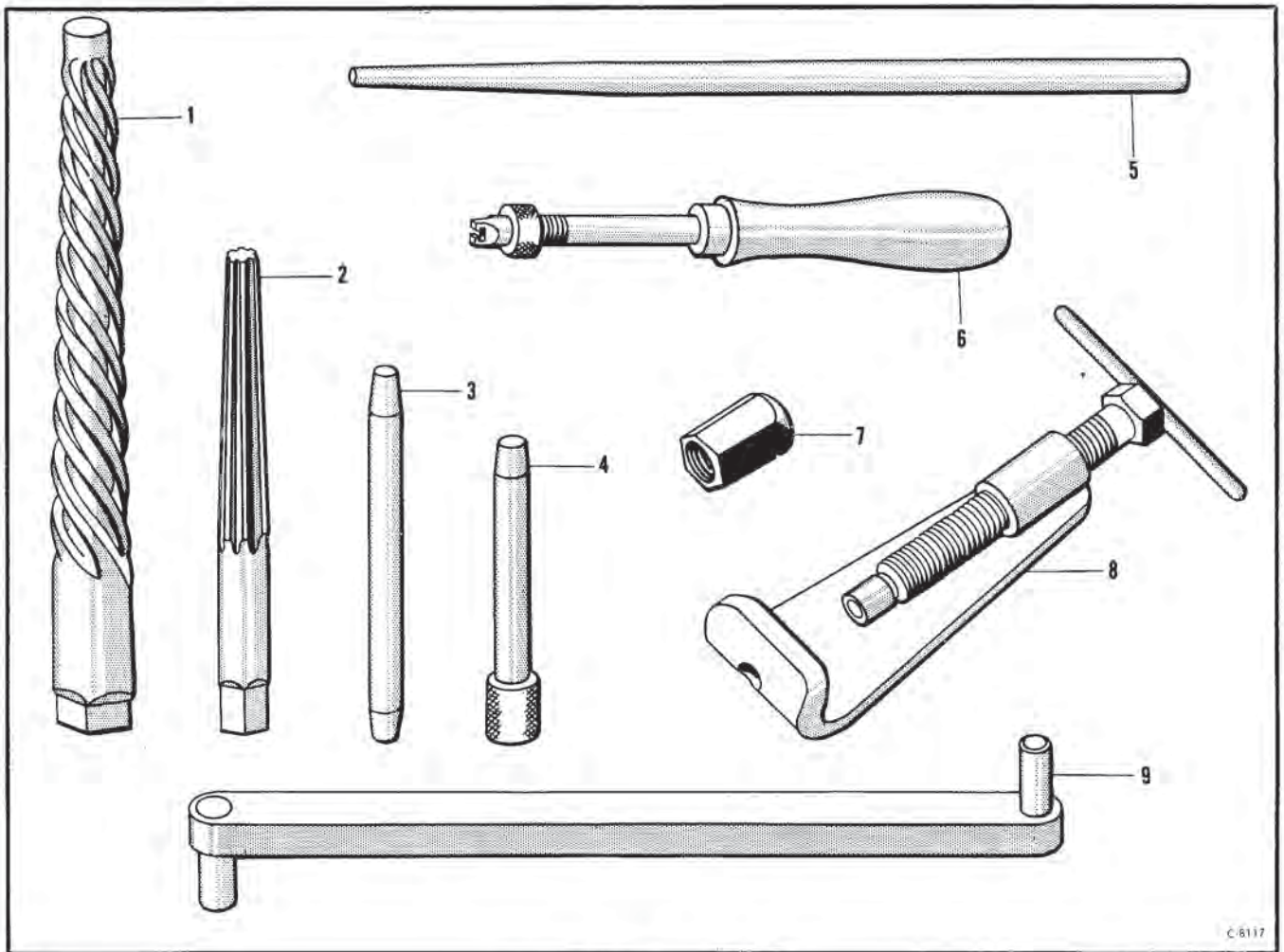


Figure 212—Service Tools

Service Tools

Figure & Index No.	Part Number	1	2	3	4	5	6	7	Nomenclature	Usage Code	Units Per Assy.
212-1	F23001								Reamer—1 1-64 pilot roughing		1
	F23002								Reamer—7-8 pilot roughing		1
	F23003								Reamer—23-32 pilot roughing		1
	F23004								Reamer—15-32 pilot roughing		1
	F23005								Reamer—27-64 pilot roughing		1
	F23006								Reamer—21-64 pilot roughing		1
	F23007								Reamer—1 1-8 pilot roughing		1
	F23105								Reamer—Number 5 straight flute tapered		1
	F23106								Reamer—Number 6 straight flute tapered		1
	F23108								Reamer—Number 8 straight flute tapered		1
F23109								Reamer—Number 9 straight flute tapered		1	
F23110								Reamer—Number 10 straight flute tapered		1	
2	F21601								Pin—Station 19 wing alignment		1
	F21602								Pin—Inboard wing alignment		1
3	F21603								Pin—Station 1 wing alignment		1
	F21701								Pin—Horizontal stabilizer alignment		1
4	F21702								Pin—Vertical stabilizer alignment		1
	F21801								Punch—1 x 16 in. alignment		1
5	F21802								Punch—1-2 x 12 in. alignment		1
	F22700								Holder—De-icer boot screw		1
6	F21001								Knockout—Taper pin (5-16 24 thread)		1
	F21002								Knockout—Taper pin (3-8 24 thread)		1
	F21003								Knockout—Taper pin (7-16 20 thread)		1
	F21004								Knockout—Taper pin (9-16 18 thread)		1
	F21005								Knockout—Taper pin (3-4 16 thread)		1
	F21006								Knockout—Taper pin (7-8 14 thread)		1
8	F22800								Press—Taper pin removal		1
	F21200								Tool—Line up for outer to inner wing splice		1

**Section V
Service Tools**

AN 01-20EG-4

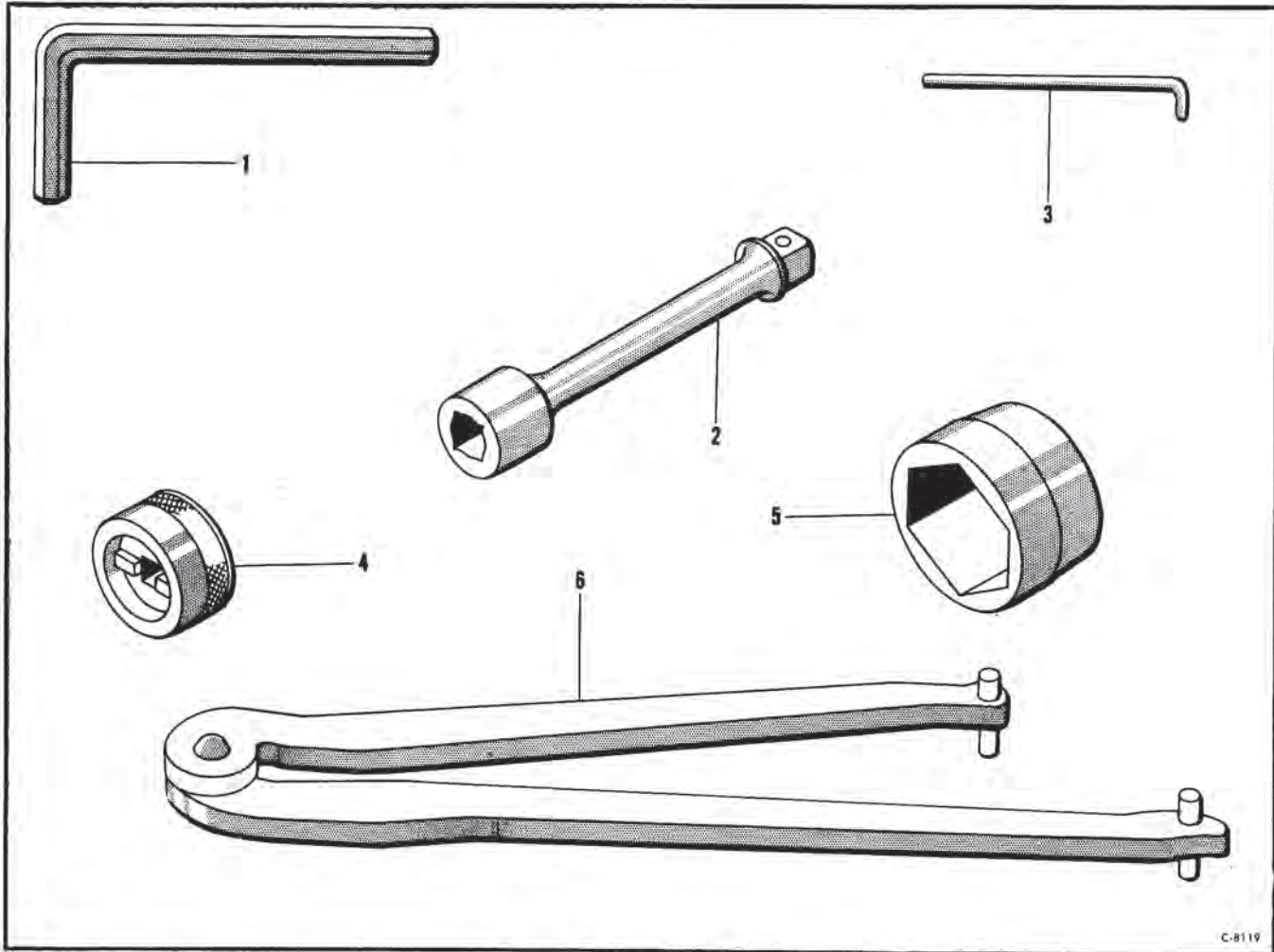


Figure 213—Service Tools

Service Tools

Figure & Index No.	Part Number	1	2	3	4	5	6	7	Nomenclature	Usage Code	Units Per Assy.
213-1	F23701								Wrench—Headless setscrew hexagon 1-16.....		1
	F23702								Wrench—Headless setscrew hexagon 3-32.....		1
	F23703								Wrench—Headless setscrew hexagon 1-8.....		1
	F23704								Wrench—Headless setscrew hexagon 5-32.....		1
	F23705								Wrench—Headless setscrew hexagon 3-16.....		1
	F23706								Wrench—Headless setscrew hexagon 7-32.....		1
	F23707								Wrench—Headless setscrew hexagon 1-4.....		1
	F23708								Wrench—Headless setscrew hexagon 9-32.....		1
	F23709								Wrench—Headless setscrew hexagon 5-16.....		1
	F23710								Wrench—Headless setscrew hexagon 11-32.....		1
	F23711								Wrench—Headless setscrew hexagon 3-8.....		1
	F23712								Wrench—Headless setscrew hexagon 13-32.....		1
	F23713								Wrench—Headless setscrew hexagon 7-16.....		1
	F23714								Wrench—Headless setscrew hexagon 15-32.....		1
	F23715								Wrench—Headless setscrew hexagon 1-2.....		1
2	F20001								Extension Assembly—3-8 square drive.....		1
3	F20000								Bleeder—Hydraulic accumulator.....		1
4	F22101								Wrench—3-4 bouter plug key.....		1
	F22102								Wrench—7-8 bouter plug key.....		1
5	F20003								Wrench—1-2 socket.....		1
6	F61800								Wrench Assembly—Adjustable spanner.....		1

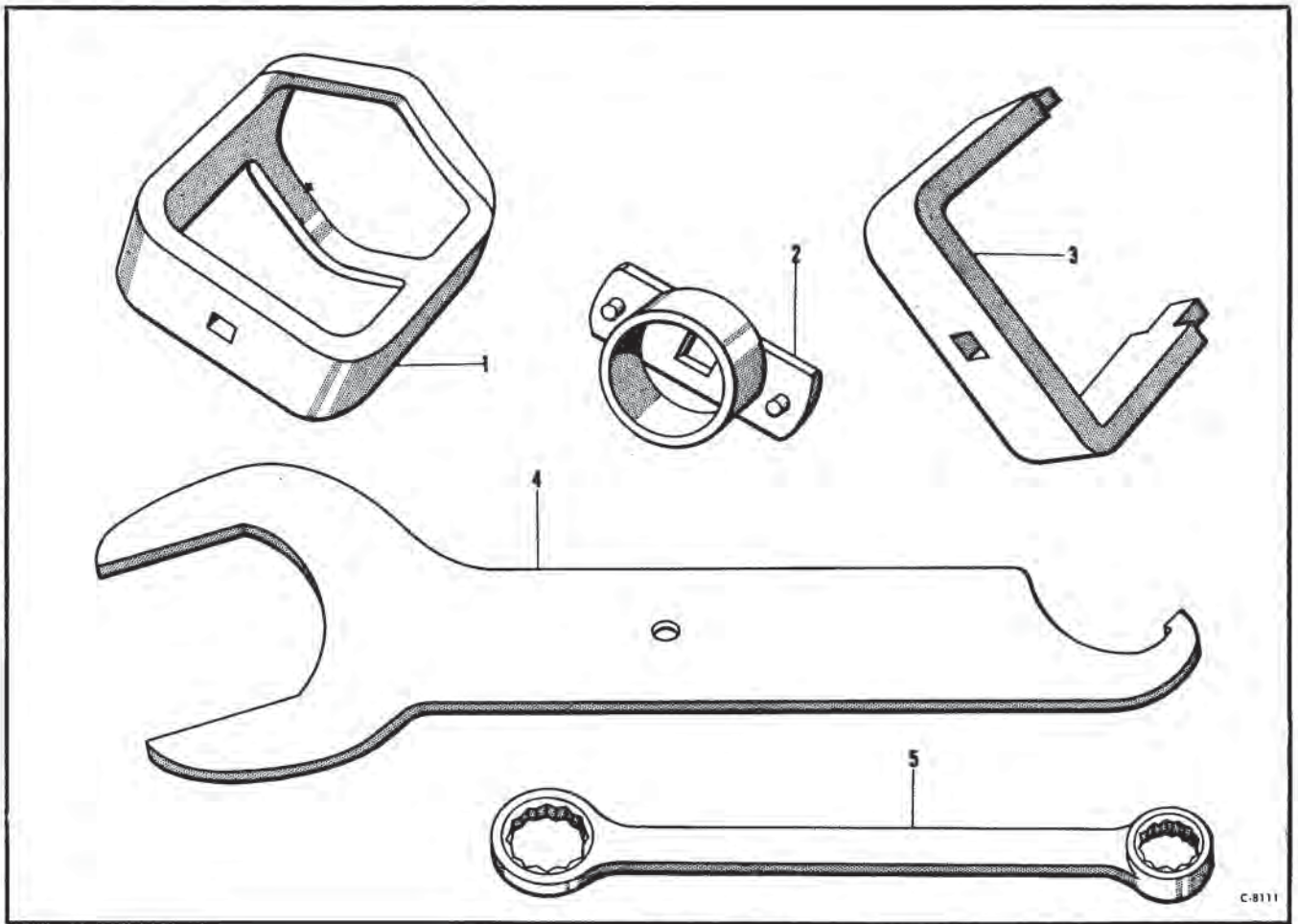


Figure 214—Service Tools

Service Tools

Figure & Index No.	Part Number	1	2	3	4	5	6	7	Nomenclature	Usage Code	Units Per Assy.
214-1	F20801								Wrench—Glycol tank filler neck box.....		1
	F20803								Wrench—Oil tank filler neck box.....		1
	F20801								Wrench—Main landing gear wheel hub nut box.....		1
	F20802								Wrench—Tail wheel axle nut box.....		1
2	F21300							Wrench—Main landing gear retracting screw nut pilot spanner.....		1	
3	F20200							Wrench—Fuel tank filler neck box.....		1	
4	F23501								Wrench—Open end and spanner (1-4 open end 3-8 spanner).....		1
	F23502								Wrench—Open end and spanner (3-8 open end 1-4 spanner).....		1
	F23503								Wrench—Open end and spanner (1-2 open end 5-8 spanner).....		1
	F23504								Wrench—Open end and spanner (5-8 open end 1-2 spanner).....		1
	F23505								Wrench—Open end and spanner (3-4 open end 7-8 spanner).....		1
	F23506								Wrench—Open end and spanner (7-8 open end 3-4 spanner).....		1
	F23507								Wrench—Open end and spanner (1 open end 1 1-4 spanner).....		1
	F23508								Wrench—Open end and spanner (1 1-4 open end 1 spanner).....		1
	F23509								Wrench—Open end and spanner (1 1-2 open end 2 spanner).....		1
	F23510								Wrench—Open end and spanner (2 open end 1 1-2 spanner).....		1
	5	F20701							Wrench—Outer wing joint box.....		1

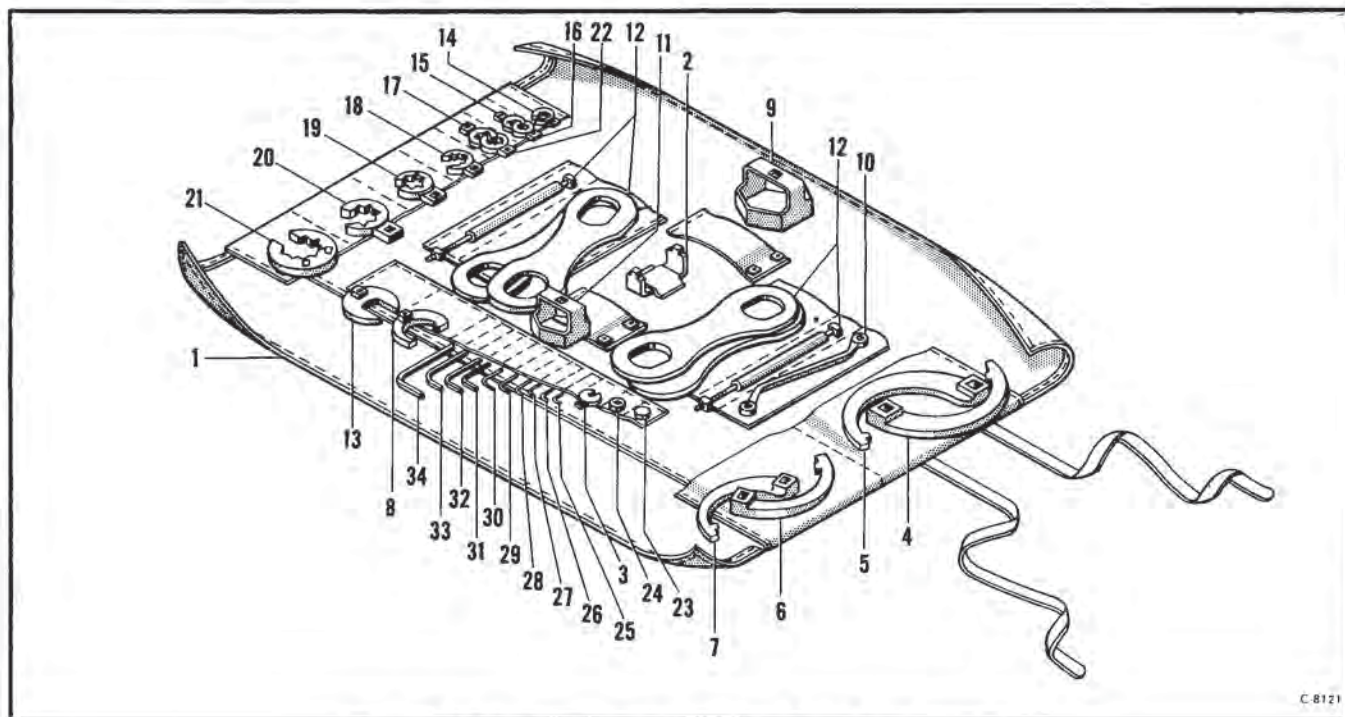


Figure 215—Operational Squadron Tool Kit Assembly

Operational Squadron Tool Kit Assembly

Figure & Index No.	Part Number	1	2	3	4	5	6	7	Nomenclature	Usage Code	Units Per Assy.
215-1	F23800								Kit Assembly—Operational squadron tool		1
	F23801								Roll Assembly—Operational squadron		1
2	F20200								Wrench—Fuel tank filler neck box		1
3	F20301								Wrench—Starter and generator crowfoot		1
4	F20410								Wrench—Main landing gear oleo packing nut spanner		1
5	F20411								Wrench—Main landing gear oleo lock ring spanner		1
6	F20412								Wrench—Tail wheel oleo lock ring spanner		1
7	F20413								Wrench—Tail wheel oleo packing nut spanner		1
8	F20510								Wrench—Retracting gear housing cap spanner		1
9	F20601								Wrench—Main landing gear wheel hub nut box		1
10	F20701								Wrench—Outer wing joint box		1
11	F20802								Wrench—Tail wheel axle nut box		1
12	F20900								Scissors—Main oleo retaining link (4 pieces)		2
13	F21126								Wrench—Oil return line crowfoot		1
14	F21901								Wrench—9-16 in. crowfoot		1
15	F21902								Wrench—5-8 in. crowfoot		1
16	F21903								Wrench—11-16 in. crowfoot		1
17	F21904								Wrench—7-8 in. crowfoot		1
18	F21905								Wrench—1 in. crowfoot		1
19	F21906								Wrench—1 3-16 in. crowfoot		1
20	F21907								Wrench—1 1-2 in. crowfoot		1
21	F21908								Wrench—1 15-16 in. crowfoot		1
22	F21914								Wrench—15-16 in. crowfoot		1
23	F22101								Wrench—3-4 booter plug key		1
24	F22102								Wrench—7-8 booter plug key		1
25	F23701								Wrench—Headless setscrew hexagon 1-16		1
26	F23702								Wrench—Headless setscrew hexagon 3-32		1
27	F23703								Wrench—Headless setscrew hexagon 1-8		1
28	F23704								Wrench—Headless setscrew hexagon 5-32		1
29	F23705								Wrench—Headless setscrew hexagon 3-16		1
30	F23706								Wrench—Headless setscrew hexagon 7-32		1
31	F23707								Wrench—Headless setscrew hexagon 1-4		1
32	F23709								Wrench—Headless setscrew hexagon 5-16		1
33	F23711								Wrench—Headless setscrew hexagon 3-8		1
34	F23715								Wrench—Headless setscrew hexagon 1-2		1

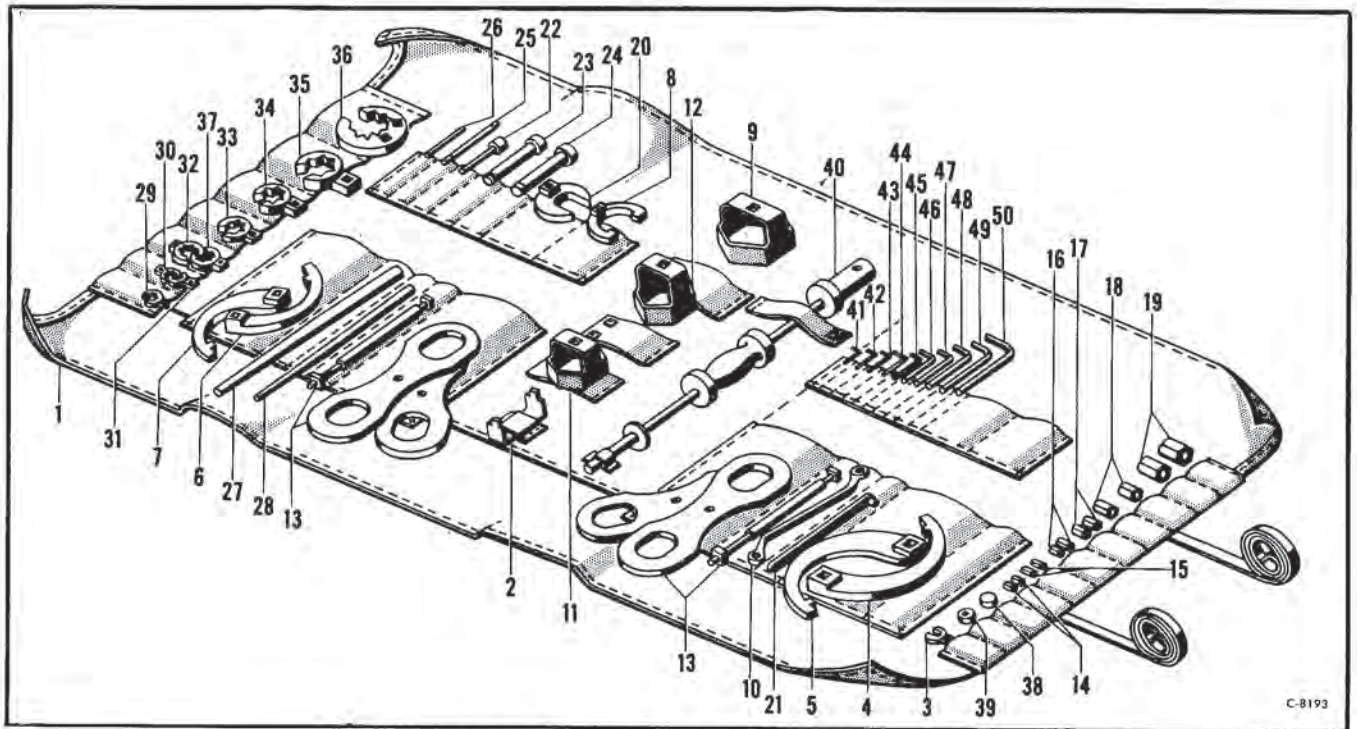


Figure 216—Service Squadron Tool Kit Assembly

Service Squadron Tool Kit Assembly

Figure & Index No.	Part Number	1	2	3	4	5	6	7	Nomenclature	Usage Code	Units Per Assy.
	F23900								Kit Assembly—Service squadron tool		1
216-1	F23901								Roll Assembly—Service squadron		1
2	F20200								Wrench—Fuel tank filler neck box		1
3	F20301								Wrench—Starter and generator crowfoot		1
4	F20410								Wrench—Main landing gear oleo packing nut spanner		1
5	F20411								Wrench—Main landing gear oleo lock ring spanner		1
6	F20412								Wrench—Tail wheel oleo lock ring spanner		1
7	F20413								Wrench—Tail wheel oleo packing nut spanner		1
8	F20510								Wrench—Retracting gear housing cap spanner		1
9	F20601								Wrench—Main landing gear wheel hub nut box		1
10	F20701								Wrench—Outer wing joint box		1
11	F20802								Wrench—Tail wheel axle nut box		1
12	F20803								Wrench—Oil tank filler neck box		1
13	F20900								Scissors—Main oleo retaining link (4 pieces)		1
14	F21001								Knockout—Taper pin (5-16 24 thread)		2
15	F21002								Knockout—Taper pin (3-8 24 thread)		2
16	F21003								Knockout—Taper pin (7-16 20 thread)		2
17	F21004								Knockout—Taper pin (9-16 18 thread)		2
18	F21005								Knockout—Taper pin (3-4 16 thread)		2
19	F21006								Knockout—Taper pin (7-8 14 thread)		2
20	F21126								Wrench—Oil return line crowfoot		1
21	F21200								Tool—Line up for outer to inner wing splice		1
22	F21601								Pin—Station 19 wing alignment		1
23	F21602								Pin—Inboard wing alignment		1
24	F21603								Pin—Station 1 wing alignment		1
25	F21701								Pin—Horizontal stabilizer alignment		1
26	F21702								Pin—Vertical stabilizer alignment		1
27	F21801								Punch—1 x 16 in. alignment		1
28	F21802								Punch—1-2 x 12 in. alignment		1
29	F21901								Wrench—9-16 in. crowfoot		1
30	F21902								Wrench—5-8 in. crowfoot		1
31	F21903								Wrench—11-16 in. crowfoot		1
32	F21904								Wrench—7-8 in. crowfoot		1
33	F21905								Wrench—1 in. crowfoot		1
34	F21906								Wrench—1 3-16 in. crowfoot		1
35	F21907								Wrench—1 1-2 in. crowfoot		1
36	F21908								Wrench—1 15-16 in. crowfoot		1
37	F21914								Wrench—15-16 in. crowfoot		1
38	F22101								Wrench—3-4 booter plug key		1
39	F22102								Wrench—7-8 booter plug key		1
40	F22600								Insert and Puller—Landing gear pin		1
41	F23701								Wrench—Headless setscrew hexagon 1-16		1
42	F23702								Wrench—Headless setscrew hexagon 3-32		1
43	F23703								Wrench—Headless setscrew hexagon 1-8		1
44	F23704								Wrench—Headless setscrew hexagon 5-32		1
45	F23705								Wrench—Headless setscrew hexagon 3-16		1
46	F23706								Wrench—Headless setscrew hexagon 7-32		1
47	F23707								Wrench—Headless setscrew hexagon 1-4		1
48	F23709								Wrench—Headless setscrew hexagon 5-16		1
49	F23711								Wrench—Headless setscrew hexagon 3-8		1
50	F23715								Wrench—Headless setscrew hexagon 1-2		1

Section V
Service Tools

AN 01-20EG-4

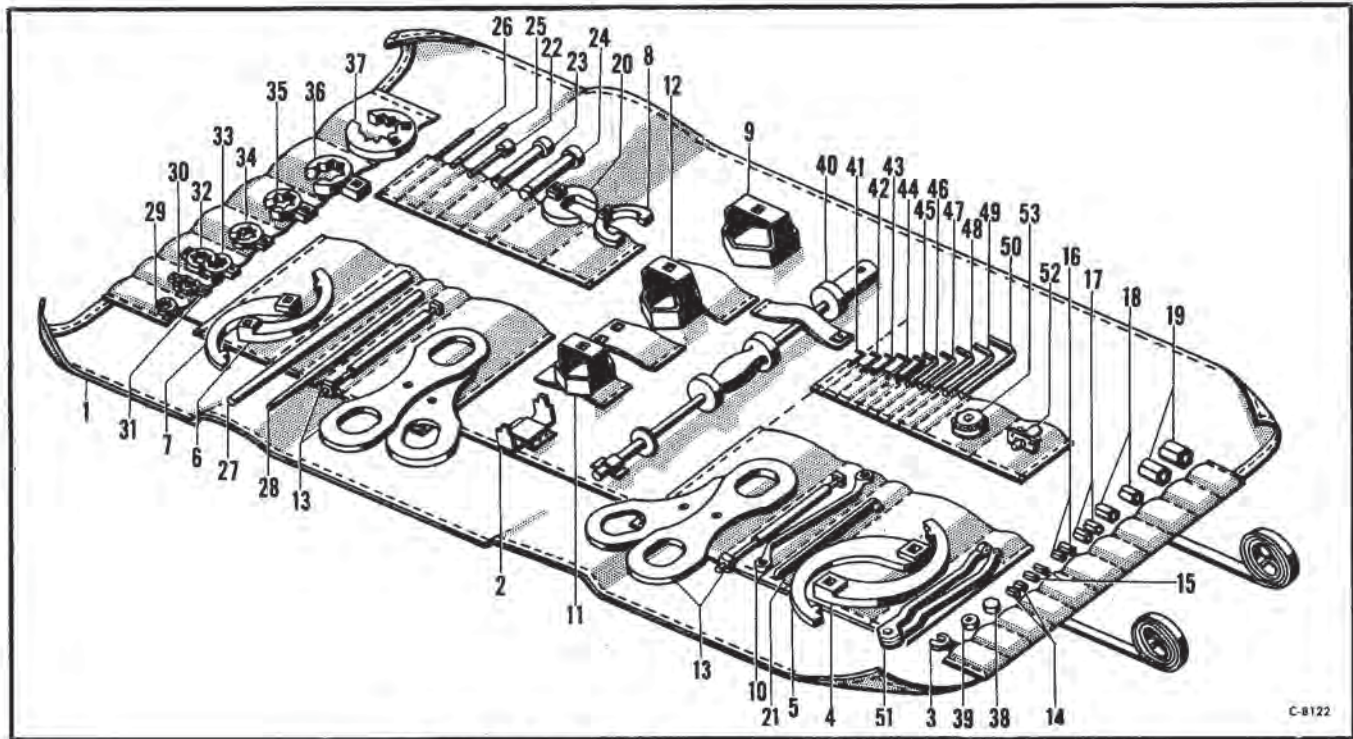


Figure 217—Major Overhaul Tool Kit Assembly

Major Overhaul Tool Kit Assembly

Figure & Index No.	Part Number	Nomenclature	Usage Code	Units Per Assy.
217-1	F24000	Kit Assembly—Major overhaul tool		1
2	F24001	Roll Assembly—Major overhaul		1
3	F20200	Wrench—Fuel tank filler neck box		1
4	F20301	Wrench—Starter and generator crowfoot		1
5	F20410	Wrench—Main landing gear oleo packing nut spanner		1
6	F20411	Wrench—Main landing gear oleo lock ring spanner		1
7	F20412	Wrench—Tail wheel oleo lock ring spanner		1
8	F20413	Wrench—Tail wheel oleo packing nut spanner		1
9	F20510	Wrench—Retracting gear housing cap spanner		1
10	F20601	Wrench—Main landing gear wheel hub nut box		1
11	F20701	Wrench—Outer wing joint box		1
12	F20802	Wrench—Tail wheel axle nut box		1
13	F20803	Wrench—Oil tank filler neck box		1
14	F20900	Scissors—Main oleo retaining link (4 pieces)		2
15	F21001	Knockout—Taper pin (5-16 24 thread)		2
16	F21002	Knockout—Taper pin (3-8 24 thread)		2
17	F21003	Knockout—Taper pin (7-16 20 thread)		2
18	F21004	Knockout—Taper pin (9-16 18 thread)		2
19	F21005	Knockout—Taper pin (3-4 16 thread)		2
20	F21006	Knockout—Taper pin (7-8 14 thread)		2
21	F21126	Wrench—Oil return line crowfoot		1
22	F21200	Tool—Line up for outer to inner wing splice		1
23	F21601	Pin—Station 19 wing alignment		1
24	F21602	Pin—Inboard wing alignment		1
25	F21603	Pin—Station 1 wing alignment		1
26	F21701	Pin—Horizontal stabilizer alignment		1
27	F21702	Pin—Vertical stabilizer alignment		1
28	F21801	Punch—1 x 16 in. alignment		1
29	F21802	Punch—1-2 x 12 in. alignment		1
30	F21901	Wrench—9-16 in. crowfoot		1
31	F21902	Wrench—5-8 in. crowfoot		1
32	F21903	Wrench—11-16 in. crowfoot		1
33	F21904	Wrench—7-8 in. crowfoot		1
34	F21905	Wrench—1 in. crowfoot		1
35	F21906	Wrench—1 3-16 in. crowfoot		1
36	F21907	Wrench—1 1-2 in. crowfoot		1
37	F21908	Wrench—1 15-16 in. crowfoot		1
38	F21914	Wrench—15-16 in. crowfoot		1
39	F22101	Wrench—3-4 booter plug key		1
40	F22102	Wrench—7-8 booter plug key		1
41	F22600	Insert and Puller—Landing gear pin		1
42	F23701	Wrench—Headless setscrew hexagon 1-16		1
43	F23702	Wrench—Headless setscrew hexagon 3-32		1
44	F23703	Wrench—Headless setscrew hexagon 1-8		1
45	F23704	Wrench—Headless setscrew hexagon 5-32		1
46	F23705	Wrench—Headless setscrew hexagon 3-16		1
47	F23706	Wrench—Headless setscrew hexagon 7-32		1
48	F23707	Wrench—Headless setscrew hexagon 1-4		1
49	F23709	Wrench—Headless setscrew hexagon 5-16		1
50	F23711	Wrench—Headless setscrew hexagon 3-8		1
51	F23715	Wrench—Headless setscrew hexagon 1-2		1
52	F61800	Wrench Assembly—Adjustable spanner		1
53	F21400	Wrench—Main landing gear adjusting nut		1
	F21500	Wrench—Main landing gear screw gear		1